



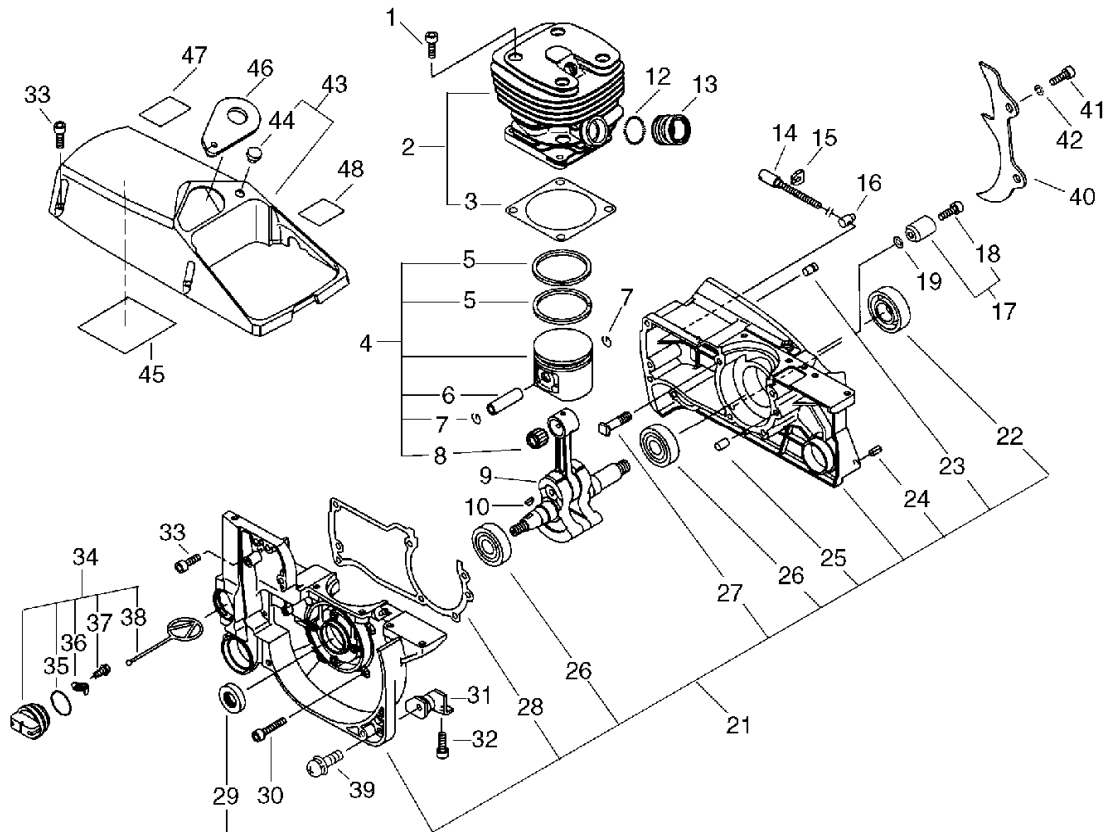
PARTS CATALOG

CHAIN SAW CS-8002(36)

36001406 -

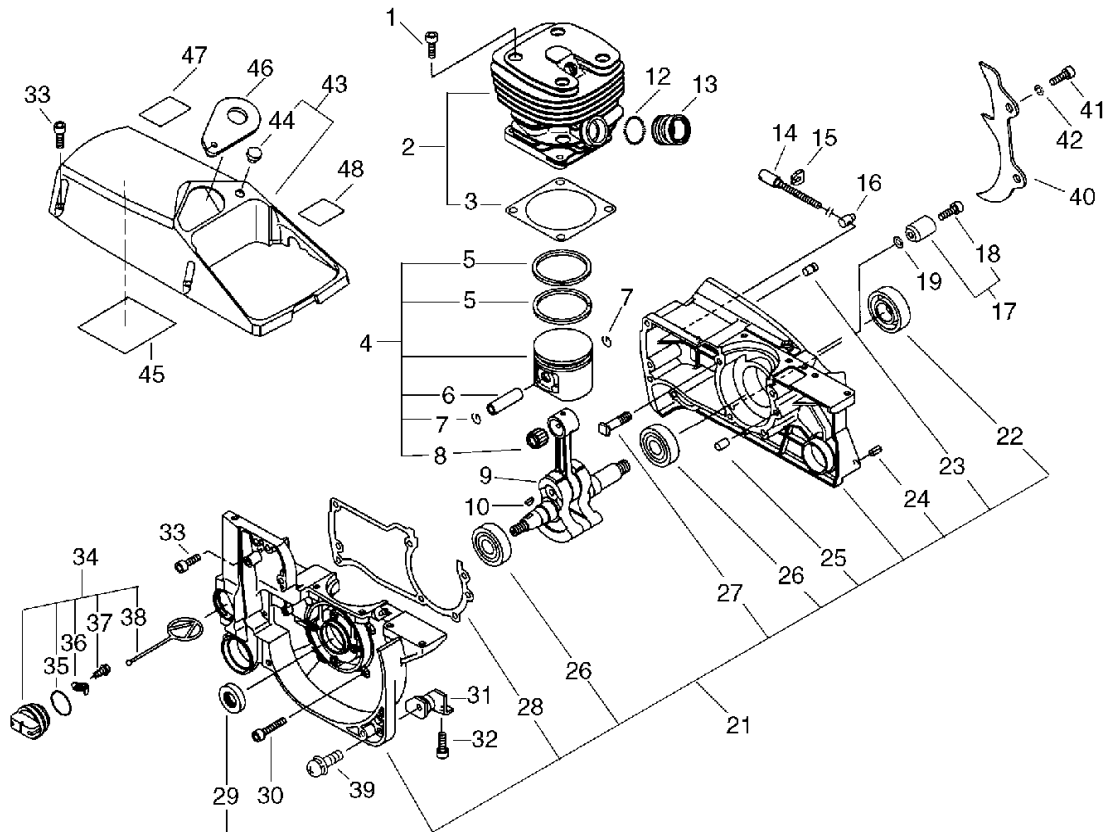
P014-000390-10Hb

1. CYLINDER, CRANKCASE, PISTON



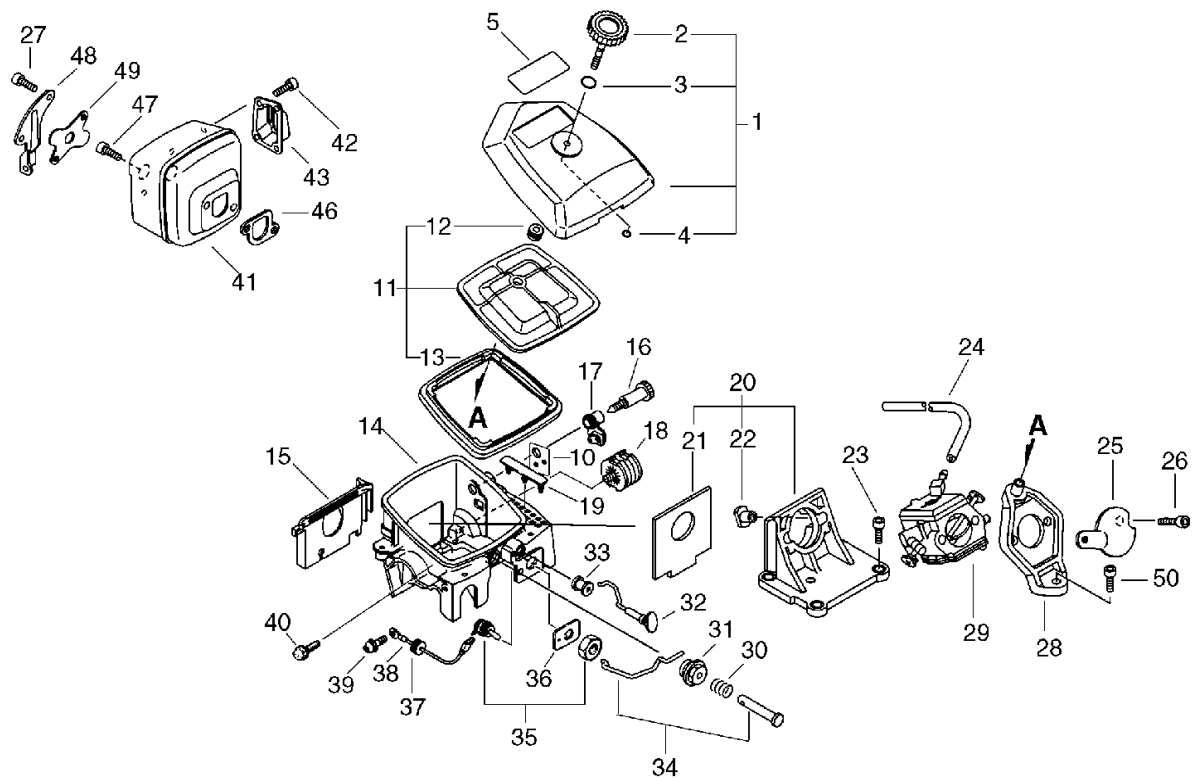
KEY	LV	PART NUMBER	Q'TY	DESCRIPTION	REMARKS	NOTE1	NOTE2
1		900162-06025	4	BOLT, H.S. 6*25	6*25 W,SW		
2		P021-005410	1	CYLINDER ASY			
3	+	101010-30830	1	GASKET, CYL. BASE			
4		P021-005420	1	PISTON KIT			
5	+	100011-30831	2	RING, PISTON			
6	+	V611-000000	1	PIN,ENG 13	8*13*38.8		
7	+	100015-30830	2	CIRCLIP, PISTON PIN			
8	+	100012-30830	1	BEARING, NEEDLE			
9		100100-30830	1	CRANKSHAFT ASSY			
10		100142-30830	1	KEY, WOODRUFF			
12		130516-30830	1	BAND			
13		130510-30830	1	ADAPTER, INTAKE			
14		433016-11031	1	SCREW, TENSIONER			
15		433028-11030	1	CLIP			
16		433014-02830	1	TENSIONER			
17		P021-014070	1	CHAIN CATCHER KIT			
18	+	900162-05020	1	BOLT, H.S. 5*20	5*20 W,SW		
19		900600-00005	1	WASHER 5	5		
21		100204-30832	1	CRANKCASE KIT			
22	+	100213-30830	1	OILSEAL	25Z-16 39.9 7		
23	+	436114-13930	1	VALVE, CHECK			
24	+	900345-50010	1	PIN, SPRING 5*10SUS	5*10SUS		
25	+	100215-02830	2	PIN, DOWEL			
26	+	900810-36203	2	BEARING, BALL 6203	6203/C3		
27	+	433011-19830	2	STUD, GUIDE BAR			

1. CYLINDER, CRANKCASE, PISTON



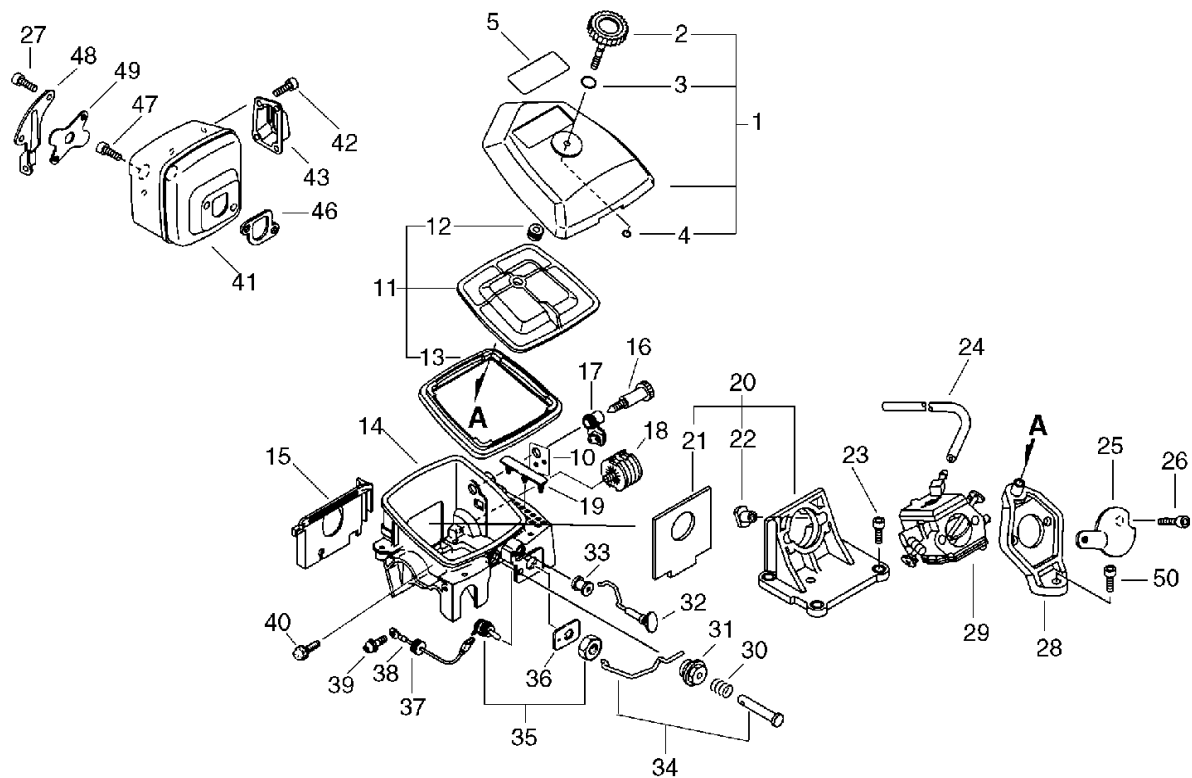
KEY	LV	PART NUMBER	Q'TY	DESCRIPTION	REMARKS	NOTE1	NOTE2
28	+	100242-30830	1	GASKET, CRANKCASE			
29	+	100212-19830	1	OILSEAL	ISM 15*25*6		
30		900162-05035	4	BOLT, H.S. 5*35	5*35 W,SW		
31		100921-30830	1	CUSHION			
32		900162-05014	1	BOLT, H.S. 5*14	5*14 W,SW		
33		900162-05020	5	BOLT, H.S. 5*20	5*20 W,SW		
34		436001-31730	1	CAP ASSY, OIL TANK			
35	+	900721-00025	1	O-RING 25	G-25		
36	+	131050-19830	2	RETAINER, LINK			
37	+	900246-03008	1	SCREW 3*8	3*8		
38	+	131051-19830	1	LINK	60L		
39		900238-05014	1	SCREW 5*14	5*14		
40		880210-30830	1	BUMPER, SPIKED			
41		900105-06020	2	BOLT, H.S. 6*20	6*20		
42		900605-00006	2	WASHER, SPRING 6	6		
43		101501-31730	1	COVER, CYLINDER			
44	+	101578-30830	1	PLUG			
45		101520-33330	1	COVER			
46		101541-30831	1	PLATE, GUIDE			
47		890345-39230	1	LABEL, CAUTION			
48		890631-38130	1	LABEL, CAUTION			

2. AIR CLEANER, CARBURETOR, MUFFLER



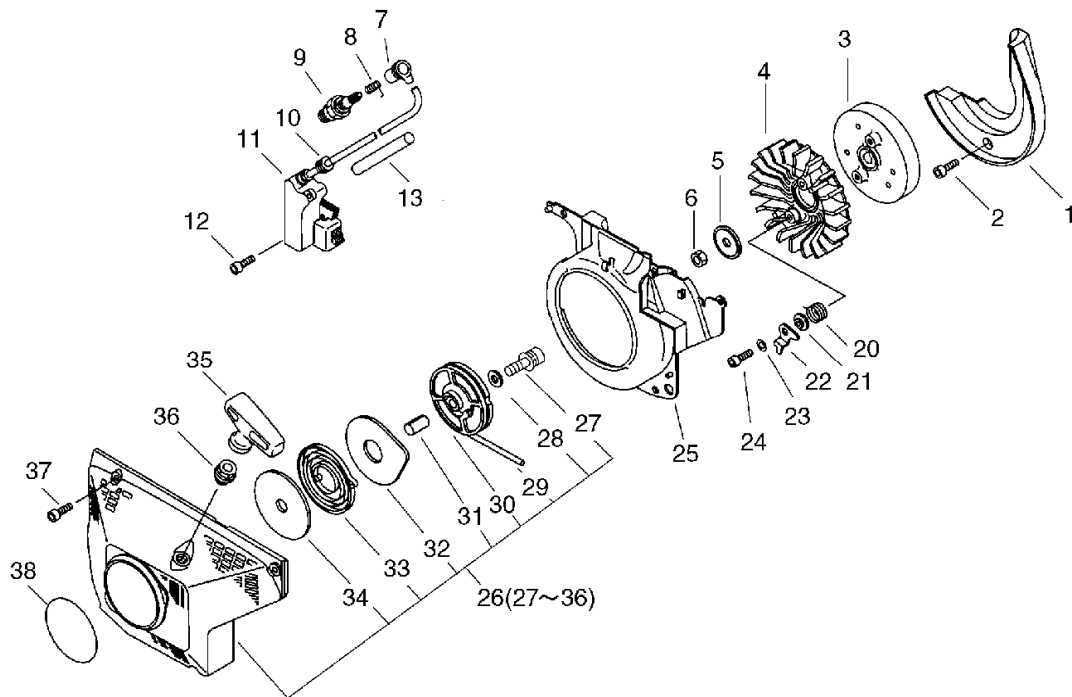
KEY	LV	PART NUMBER	Q'TY	DESCRIPTION	REMARKS	NOTE1	NOTE2
1		130302-30830	1	COVER SET, AIR CLN			
2	+	130406-30830	1	NUT, THUMB			
3	+	900720-00010	1	O-RING P-10	P-10		
4	+	900720-00003	1	O-RING P-3	P-3		
5		X503-009160	1	LABEL,MODEL	CS-8002 EU		
10		890169-60830	1	LABEL, ADJUSTING			
11		130303-30831	1	FILTER, AIR W/SEAL			
12	+	130356-19830	1	GROMMET			
13	+	130320-30831	1	SEAL, CLEANER			
14		130306-30830	1	CASE, CARBURETOR(BS)			
15		101529-30830	1	PLATE, GUIDE (A)			
16		129013-30831	1	SCREW, IDLE SPEED			
17		129010-38830	1	GROMMET, NEEDLE			
18		100905-19830	1	CUSHION			
19		130339-30830	1	PLUG			
20		130007-30830	1	INSULATOR			
21	+	130012-30830	1	SEAL, DUST			
22	+	130020-19830	2	NUT			
23		900162-05025	4	BOLT, H.S. 5*25	5*25 W,SW		
24		130110-30830	1	PIPE, IMPULSE			
25		129011-19831	1	PLATE			
26		900162-05055	2	BOLT, H.S. 5*55	5*55 W,SW		
27		900162-05014	2	BOLT, H.S. 5*14	5*14 W,SW		
28		130405-30830	1	SUPPORTER, FILTER			
29		123000-38832	1	CARBURETOR HDA-153B	HDA-153B		
30		178078-19830	1	SPRING			

2. AIR CLEANER, CARBURETOR, MUFFLER



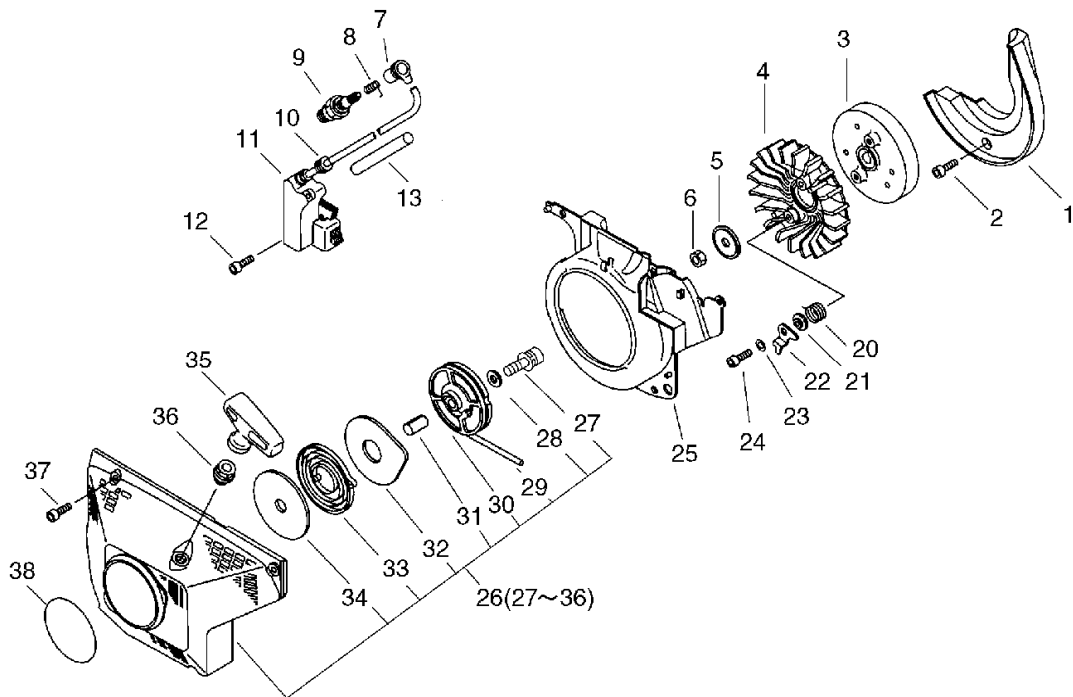
KEY	LV	PART NUMBER	Q'TY	DESCRIPTION	REMARKS	NOTE1	NOTE2
31		178114-19830	1	HOLDER, THR. LEVER			
32		178510-30830	1	ROD, CHOKE			
33		178810-11231	1	GROMMET			
34		178307-30830	1	ROD, THROTTLE			
35		163400-30830	1	SWITCH, IGNITION			
36		890157-19830	1	LABEL, SWITCH			
37		156114-04920	2	GROMMET			
38		162021-30830	1	LEAD			
39		900242-04008	1	SCREW	4*8		
40		900220-04008	1	SCREW 4*8	4*8		
41		145610-30830	1	MUFFLER			
42		900162-04010	4	BOLT, H.S. 4*10	4*10 W,SW		
43		145861-30830	1	LID, MUFFLER			
46		145510-30830	1	GASKET, MUFFLER			
47		900162-06020	2	BOLT, H.S. 6*20	6*20 W,SW		
48		145711-30830	1	BRACKET, MUFFLER			
49		145813-31730	1	COVER, MUFFLER			
50		900162-05020	1	BOLT, H.S. 5*20	5*20 W,SW		

3. STARTER, MAGNETO



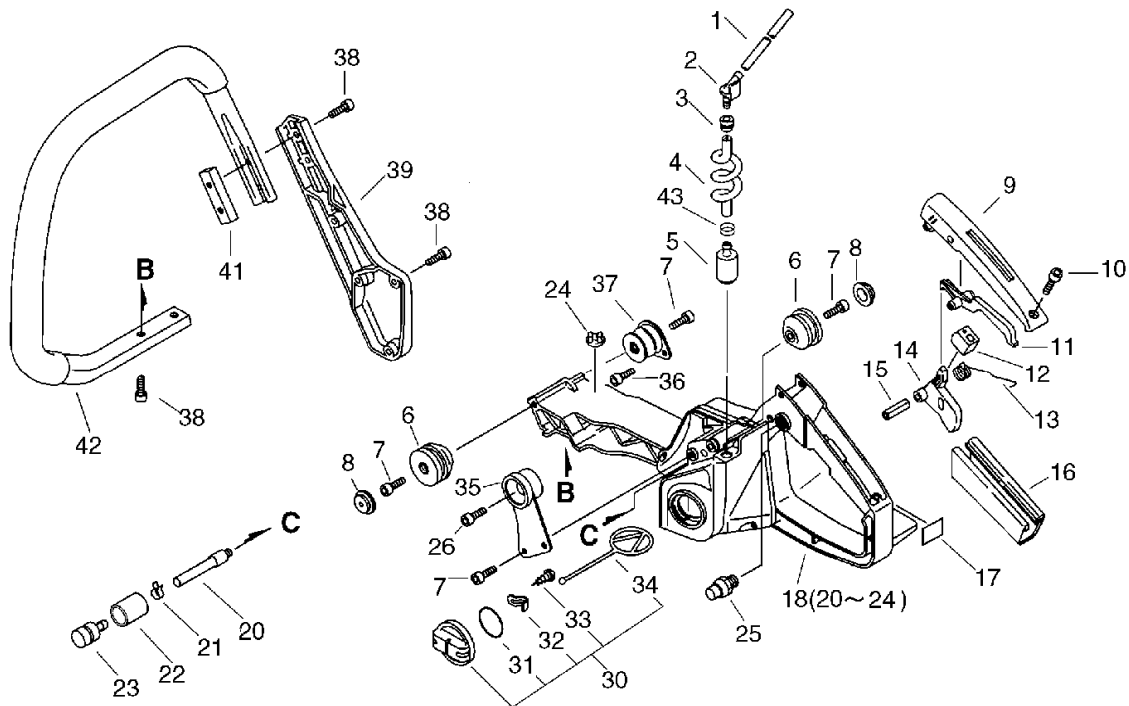
KEY	LV	PART NUMBER	Q'TY	DESCRIPTION	REMARKS	NOTE1	NOTE2
1		101534-30830	1	PLATE, GUIDE			
2		900162-05020	2	BOLT, H.S. 5*20	5*20 W,SW		
3		156800-32631	1	ROTOR, MAGNETO			
4		101521-30832	1	FAN, COOLING			
5		100143-19830	1	WASHER	8.2*31*0.8		
6		433019-12330	1	NUT, FLANGE 8	M-8		
7		159012-03433	1	CAP, SPARK PLUG			
8		159011-03432	1	COIL, SPARK PLUG			
9		159017-31730	1	PLUG, SPARK RCJ-6Y	RCJ-6Y		
10		152112-05730	1	BUSHING			
11		156601-30832	1	COIL, IGNITION			
12		900162-04020	2	BOLT, H.S. 4*20	4*20 W,SW		
13		150611-30830	1	TUBE	7*8.6*45		
20		177234-30830	2	SPRING, RETURN			
21		177247-12331	2	SPACER, RATCHET			
22		177218-30830	2	PAWL, STARTER			
23		900603-00005	2	WASHER 5	5.5*12*0.8		
24		V203-000140	2	BOLT,5	5*30		
25		101535-30830	1	COVER, FAN			
26		177200-30831	1	STARTER ASSY			
27	+	900162-05014	1	BOLT, H.S. 5*14	5*14 W,SW		
28	+	177214-02830	1	WASHER	5.2*16*1.0T		
29	+	177226-07060	1	ROPE, STARTER	4.0*950		
30	+	177206-12330	1	DRUM, STARTER			
31	+	177216-12330	1	COLLAR			
32	+	177242-30830	1	PLATE, STARTER			

3. STARTER, MAGNETO



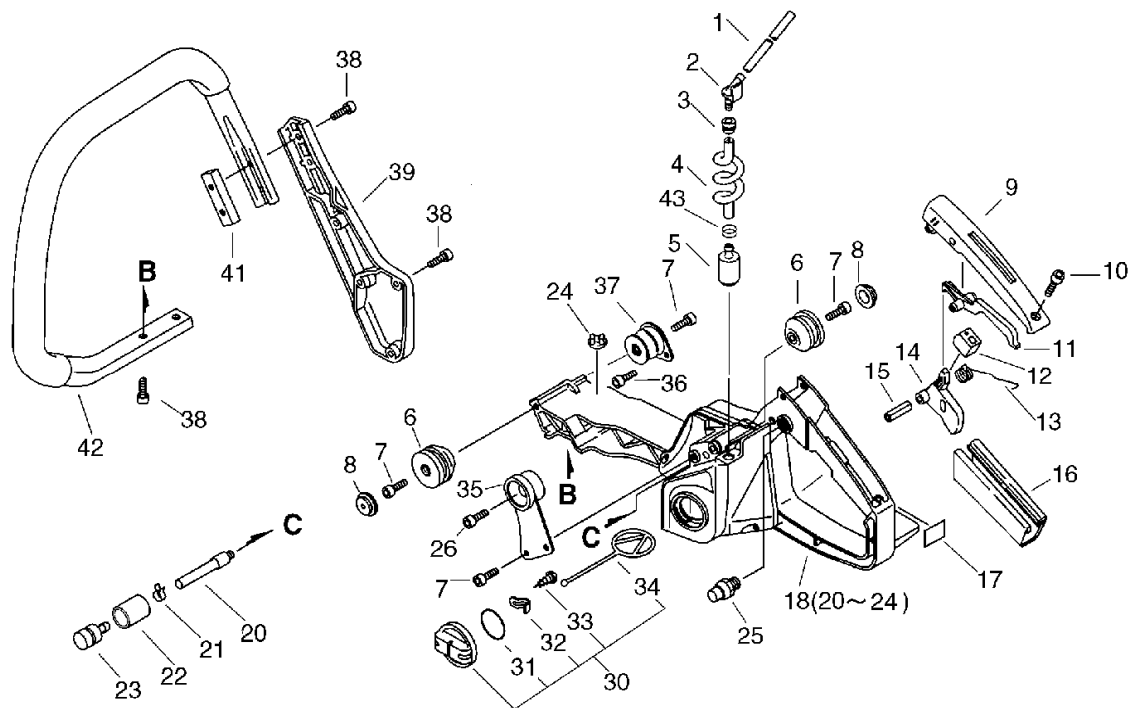
KEY	LV	PART NUMBER	Q'TY	DESCRIPTION	REMARKS	NOTE1	NOTE2
33	+	177220-02834	1	SPRING, REWIND			
34	+	177221-02830	1	PLATE, STARTER			
35	+	177228-30830	1	GRIP, STARTER			
36	+	177227-10630	1	GUIDE, ROPE			
37		900162-05020	4	BOLT, H.S. 5*20	5*20 W,SW		
38		X502-000460	1	LABEL,ECHO			

4. HANDLE



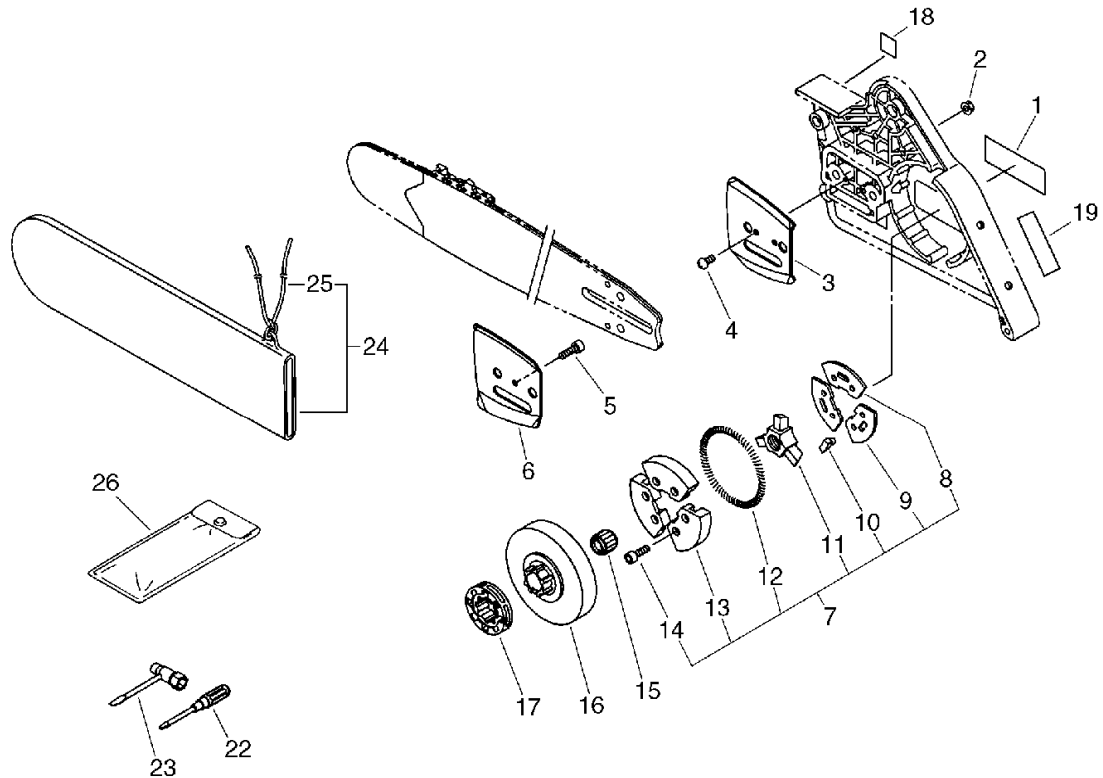
KEY	LV	PART NUMBER	Q'TY	DESCRIPTION	REMARKS	NOTE1	NOTE2
1		132012-02960	1	PIPE, FUEL	3*6*120L		
2		132011-19831	1	CONNECTOR, FUEL PIPE			
3		132115-01461	1	GROMMET			
4		132010-30830	1	PIPE			
5		131205-19831	1	STRAINER, FUEL			
6		100910-30830	2	CUSHION			
7		900162-05014	5	BOLT, H.S. 5*14	5*14 W,SW		
8		100918-19830	2	CAP, CUSHION			
9		351155-30131	1	COVER, HANDLE			
10		900162-04014	1	BOLT, H.S. 4*14	4*14 W,SW		
11		178090-30130	1	LOCKOUT, T. CONTROL			
12		178073-32430	1	CUSHION, THROTTLE			
13		178043-19830	1	SPRING, THR. RETURN			
14		178010-19830	1	CONTROL, THROTTLE			
15		900342-50025	1	PIN, SPRING 5*25	5*25		
16		351111-19830	1	GRIP, HANDLE			
17		890157-39130	1	LABEL, SWITCH			
18		351103-30832	1	HANDLE, W/FUEL TANK			
20	+	437210-31730	1	PIPE 3* 5* 55			
20	+	437210-31730	1	PIPE 3* 5* 55			
21	+	130111-00530	1	CLIP	5.5		
22	+	131328-40630	1	COVER, VENT			
23	+	131300-56430	1	VALVE, CHECK			
24	+	100252-30830	1	CUSHION			
25		178302-12330	1	LATCH, THROTTLE			
26		900162-05020	1	BOLT, H.S. 5*20	5*20 W,SW		

4. HANDLE



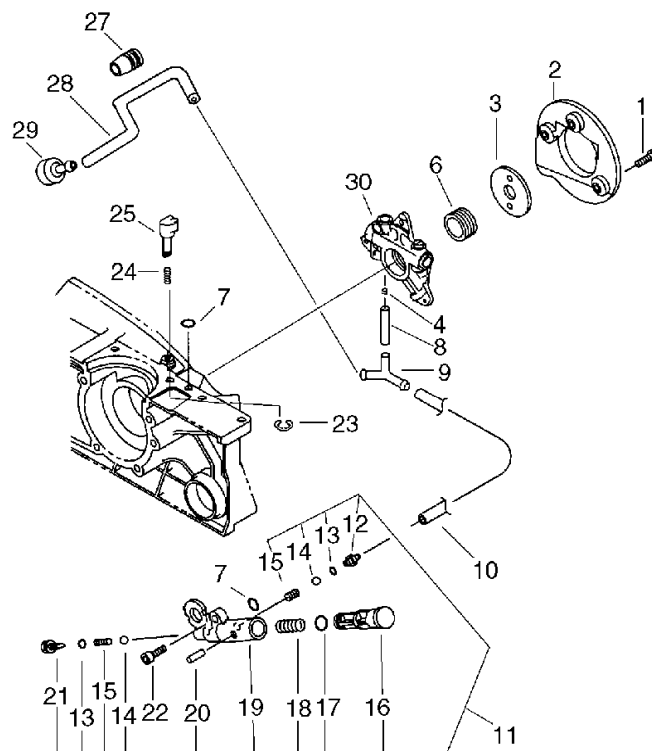
KEY	LV	PART NUMBER	Q'TY	DESCRIPTION	REMARKS	NOTE1	NOTE2
30		131004-19831	1	CAP ASSY, FUEL TANK			
31	+	900720-20029	1	O-RING 29	P-29		
33	+	900246-03008	1	SCREW 3*8	3*8		
34		131051-19830	1	LINK	60L		
35		100917-30830	1	CUSHION			
36		900162-04010	2	BOLT, H.S. 4*10	4*10 W,SW		
37		100922-30830	1	CUSHION			
38		900162-05020	8	BOLT, H.S. 5*20	5*20 W,SW		
39		351614-60830	1	BRACKET, F. HNDL. BS			
41		305114-06060	1	BRACKET			
42		351606-60830	1	HANDLE, FRONT			
43		132013-26630	1	CLIP	6.5MM		

5. CLUTCH, SPROCKET



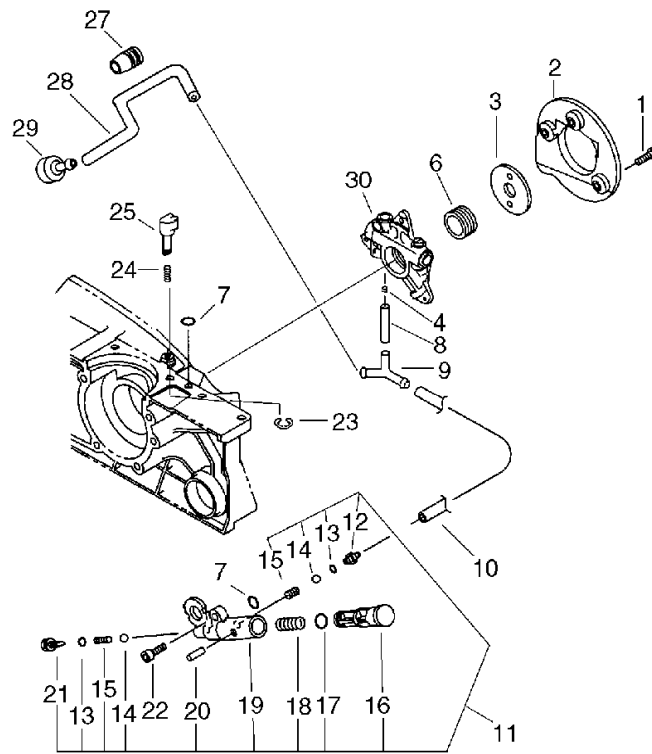
KEY	LV	PART NUMBER	Q'TY	DESCRIPTION	REMARKS	NOTE1	NOTE2
1		X502-000560	1	LABEL,ECHO			
2		433019-12330	2	NUT, FLANGE 8	M-8		
3		433012-30830	1	PLATE, GUIDE (OUTER)			
4		900241-03006	2	SCREW 3*6	3*6		
5		900241-04008	1	SCREW 4*8	4*8		
6		433013-30830	1	PLATE, GUIDE (INNER)			
7		175000-30832	1	CLUTCH ASSEMBLY			
8	+	175019-30830	2	PLATE, CLUTCH			
9	+	175029-30830	1	PLATE, CLUTCH			
10	+	175059-30830	1	PLATE, SPRING			
11	+	175016-30830	1	HUB, CLUTCH			
12	+	175018-30830	1	SPRING, CLUTCH			
13	+	175002-30831	1	SHOE, CLUTCH			
14	+	900105-04008	6	BOLT, H.S. 4*8	4*8		
15		175012-30831	1	BEARING, NEEDLE			
16		175105-30831	1	DRUM, CLUTCH			
17		175033-14731	1	SPROCKET, RIM 68210S			
18		890316-39130	1	LABEL, CAUTION			
19		890155-30130	1	LABEL, CAUTION			
22		895812-03930	1	DRIVER, SCREW 50			
23		X602-000080	1	TOOL,WRENCH	13*19 L180		
24		P021-014640	1	SCABBARD,CHAIN			
25	+	898568-14530	1	ROPE	5*900		
26		898510-07130	1	BAG, TOOL			

6. AUTO-OILER

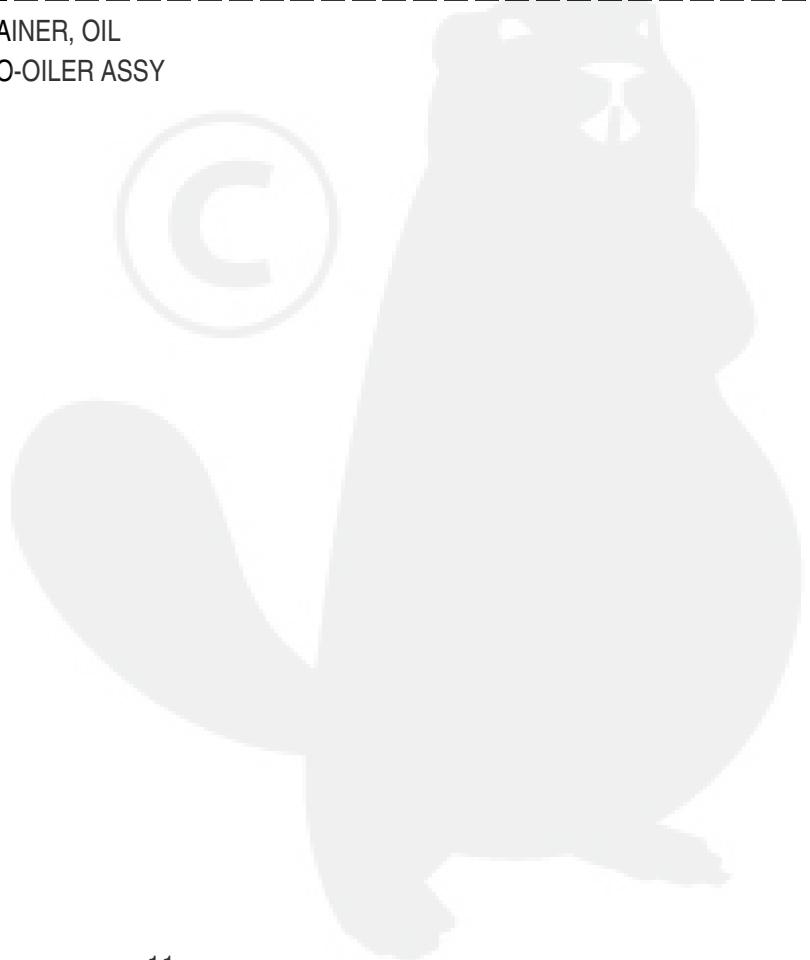
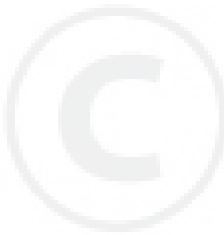


KEY	LV	PART NUMBER	Q'TY	DESCRIPTION	REMARKS	NOTE1	NOTE2
1		900162-04014	3	BOLT, H.S. 4*14	4*14 W,SW		
2		437605-32430	1	COVER, OIL PUMP			
3		437066-30831	1	WASHER, CIRCULAR			
4		132013-26630	1	CLIP	6.5MM		
6		437063-33231	1	GEAR, WORM			
7		900720-00003	2	O-RING P-3	P-3		
8		437211-32430	1	PIPE			
9		437212-32430	1	CONNECTOR, OIL PIPE			
10		437210-30830	1	PIPE, OIL	NBR 3*6*210L		
11		437100-19832	1	OILER ASY, MANUAL			
12	+	437118-19830	1	NIPPLE			
13	+	437122-03430	2	O-RING			
14	+	437012-00330	2	VALVE, BALL			
15	+	V450-000290	2	SPRING, COMPRESSION			
16	+	437112-19831	1	PISTON, MANUAL			
17	+	900720-00007	1	O-RING 7	P-7		
18	+	437111-19830	1	SPRING			
19	+	437110-19831	1	BODY, OIL PUMP			
20	+	900345-20016	1	PIN, SPRING 2*16SUS	2*16SUS		
21	+	437121-10130	1	ADAPTER, OIL PUMP			
22		900162-05020	1	BOLT, H.S. 5*20	5*20 W,SW		
23		900700-00003	1	E-RING 3	CE-3		
24		437015-19830	1	SPRING			
25		437039-30830	1	KNOB			
27		132115-12330	1	GROMMET			
28		437210-38330	1	PIPE, OIL			

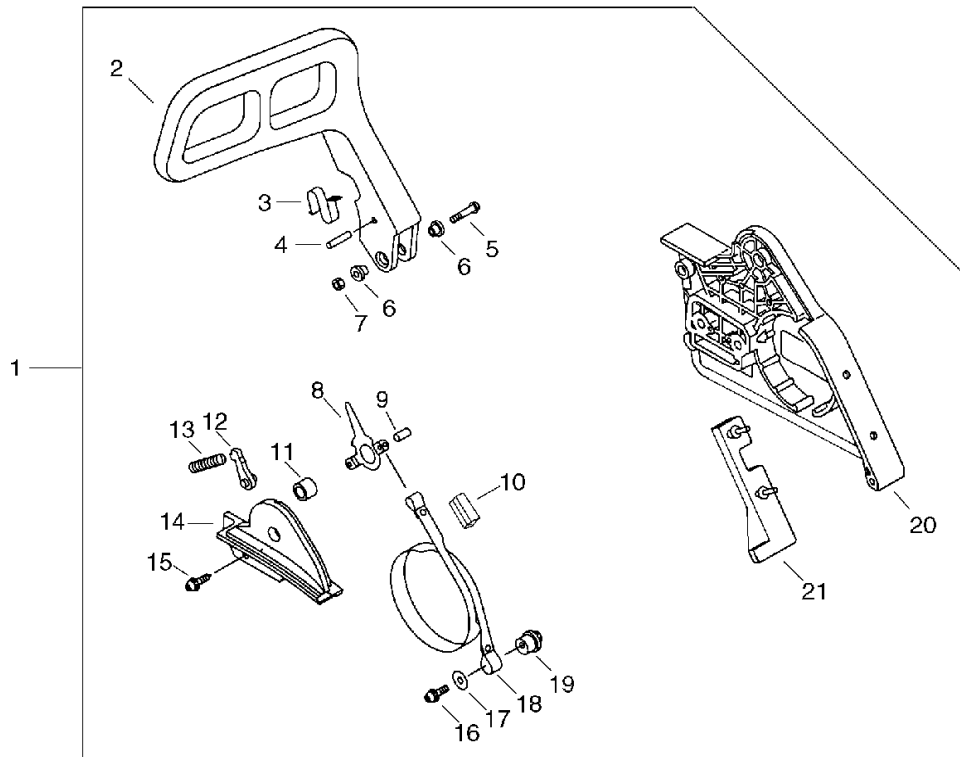
6. AUTO-OILER



KEY	LV	PART NUMBER	Q'TY	DESCRIPTION	REMARKS	NOTE1	NOTE2
29		436205-14730	1	STRAINER, OIL			
30		437002-37530	1	AUTO-OILER ASSY			

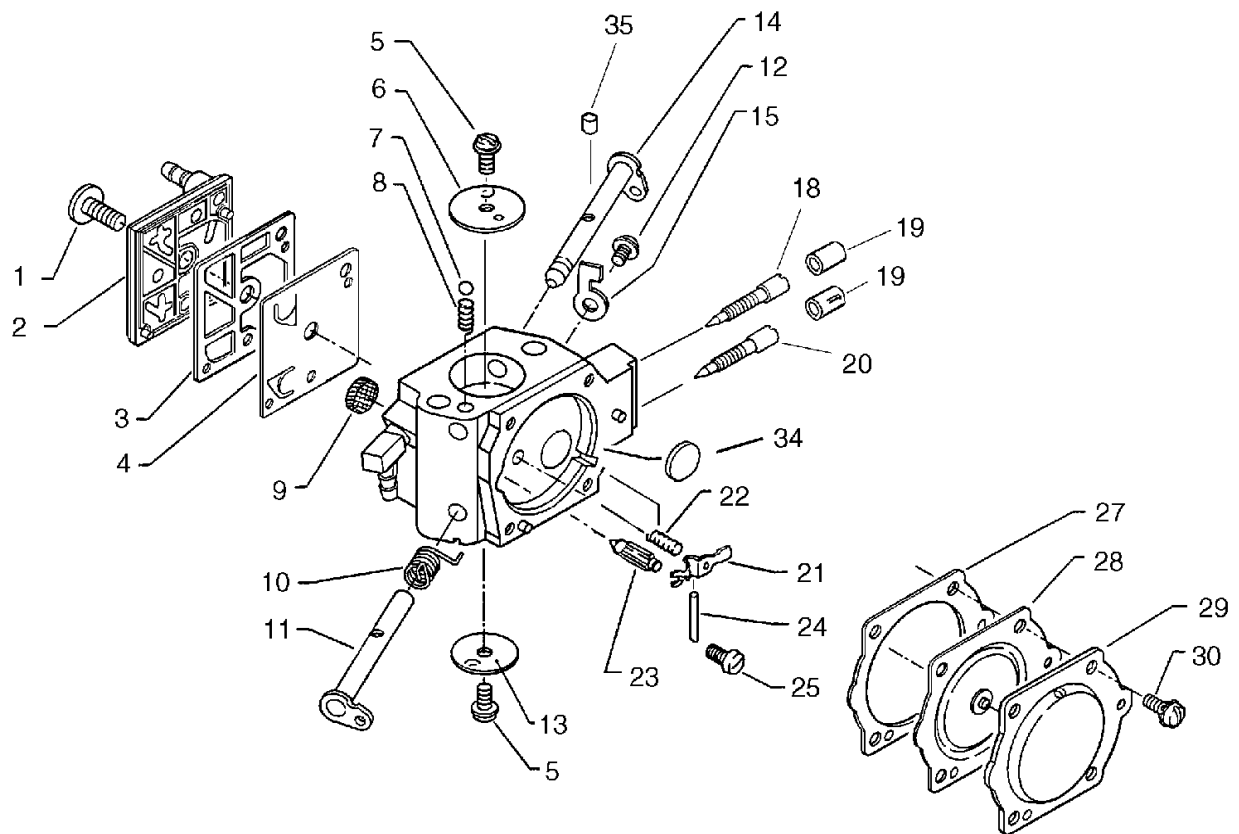


7. CHAIN BRAKE ASSEMBLY



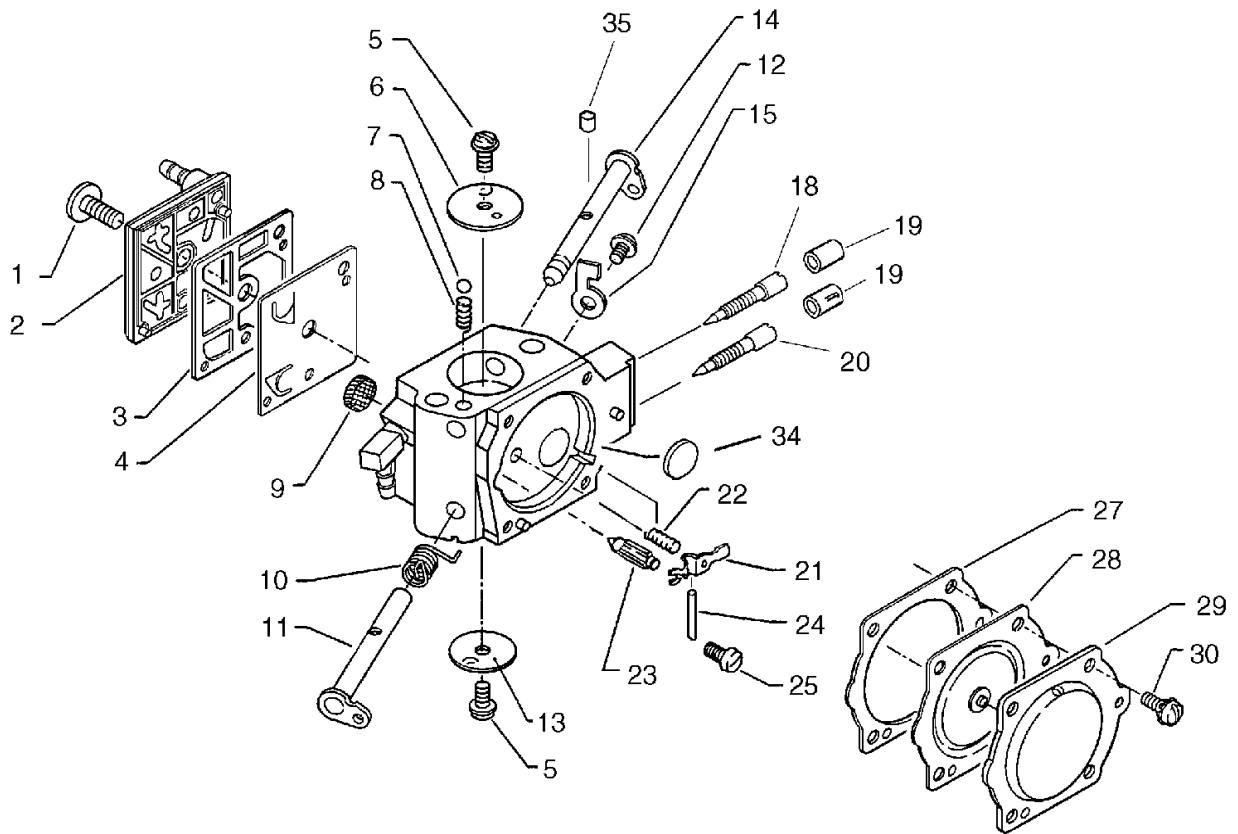
KEY	LV	PART NUMBER	Q'TY	DESCRIPTION	REMARKS	NOTE1	NOTE2
1		P021-007312	1	BRAKE ASY, CHAIN			
2	+	433105-60830	1	LEVER, BRAKE			
3	+	433114-38331	1	SPRING			
4	+	900330-35260	1	PIN 3.5*26	3.5*26		
5	+	91335-05035	1	SCREW			
6	+	433167-39130	2	SPACER			
7	+	900562-50005	1	LOCKNUT 5	5		
8	+	433208-35431	1	LEVER, BRAKE			
9	+	900330-40088	1	ROLLER 4*8.8	4*8.8		
10	+	433312-32630	1	COVER, SEAL			
11	+	433115-38330	1	WASHER 5.2*12*14	5.2*12*14		
12	+	433209-35430	1	STOPPER, BRAKE			
13	+	433122-38130	1	SPRING, BRAKE			
14	+	433310-60830	1	COVER, BRAKE			
15	+	900238-04010	2	SCREW 4*10	4*10		
16	+	900238-05025	1	SCREW 5*25	5*25		
17	+	351249-06960	1	WASHER			
18	+	433123-60830	1	BAND, BRAKE			
19	+	433142-60830	1	ADJUSTER, BRAKE			
20	+	433010-60830	1	GUARD, SPROCKET			
21	+	433025-60830	1	PAD, GUARD			

8. CARBURETOR



KEY	LV	PART NUMBER	Q'TY	DESCRIPTION	REMARKS	NOTE1	NOTE2
		123000-38832	1	CARBURETOR HDA-153B	HDA-153B		
1	+	123110-16130	1	SCREW, PUMP COVER			
2	+	123124-19830	1	COVER, FUEL PUMP			
3	+	123125-12330	1	GASKET, FUEL PUMP			
4	+	123112-12330	1	DIAPHRAGM, FUEL PUMP			
5	+	123114-38830	2	SCREW			
6	+	123132-17330	1	VALVE, CHOKE			
7	+	123136-10630	1	BALL, CHOKE FRICTION			
8	+	123135-10630	1	SPRING, CHOKE FRICT.			
9	+	123126-10631	1	SCREEN, INLET			
10	+	123113-16130	1	SPRING, THRT. RETURN			
11	+	123117-32430	1	SHAFT, THROTTLE			
12	+	123114-38830	1	SCREW			
13	+	123116-16130	1	VALVE, THROTTLE			
14	+	123131-19830	1	SHAFT, CHOKE			
15	+	123156-30830	1	STOP, THROTTLE			
18	+	123120-32631	1	NEEDLE, HIGH SPEED			
19	+	P003-000010	2	LIMITER CAP			
20	+	123118-02261	1	NEEDLE			
21	+	123123-18330	1	LEVER, METERING			
22	+	123122-32630	1	SPRING, METER. LEVER			
23	+	123137-19830	1	VALVE, INLET NEEDLE			
24	+	123138-03930	1	PIN, METERING LEVER			
25	+	123139-03930	1	SCREW, M. LEVER PIN			
27	+	123140-16131	1	GASKET, M. DIAPHRAGM			
28	+	123141-16131	1	DIAPHRAGM, METERING			

8. CARBURETOR



KEY	LV	PART NUMBER	Q'TY	DESCRIPTION	REMARKS	NOTE1	NOTE2
29	+	123142-17330	1	COVER, M. DIAPHRAGM			
30	+	123130-02960	4	SCREW			
34	+	123146-10631	1	PLUG, WELCH			
35	+	123178-15030	1	PLUG, FRICTION			

Index

Patrs Number	Key No.	Patrs Number	Key No.	Patrs Number	Key No.
100011-30831	1 - 5	123138-03930	8 - 24	156800-32631	3 - 3
100012-30830	1 - 8	123139-03930	8 - 25	159011-03432	3 - 8
100015-30830	1 - 7	123140-16131	8 - 27	159012-03433	3 - 7
100100-30830	1 - 9	123141-16131	8 - 28	159017-31730	3 - 9
100142-30830	1 - 10	123142-17330	8 - 29	162021-30830	2 - 38
100143-19830	3 - 5	123146-10631	8 - 34	163400-30830	2 - 35
100204-30832	1 - 21	123156-30830	8 - 15	175000-30832	5 - 7
100212-19830	1 - 29	123178-15030	8 - 35	175002-30831	5 - 13
100213-30830	1 - 22	129010-38830	2 - 17	175012-30831	5 - 15
100215-02830	1 - 25	129011-19831	2 - 25	175016-30830	5 - 11
100242-30830	1 - 28	129013-30831	2 - 16	175018-30830	5 - 12
100252-30830	4 - 24	130007-30830	2 - 20	175019-30830	5 - 8
100905-19830	2 - 18	130012-30830	2 - 21	175029-30830	5 - 9
100910-30830	4 - 6	130020-19830	2 - 22	175033-14731	5 - 17
100917-30830	4 - 35	130110-30830	2 - 24	175059-30830	5 - 10
100918-19830	4 - 8	130111-00530	4 - 21	175105-30831	5 - 16
100921-30830	1 - 31	130302-30830	2 - 1	177200-30831	3 - 26
100922-30830	4 - 37	130303-30831	2 - 11	177206-12330	3 - 30
101010-30830	1 - 3	130306-30830	2 - 14	177214-02830	3 - 28
101501-31730	1 - 43	130320-30831	2 - 13	177216-12330	3 - 31
101520-33330	1 - 45	130339-30830	2 - 19	177218-30830	3 - 22
101521-30832	3 - 4	130356-19830	2 - 12	177220-02834	3 - 33
101529-30830	2 - 15	130405-30830	2 - 28	177221-02830	3 - 34
101534-30830	3 - 1	130406-30830	2 - 2	177226-07060	3 - 29
101535-30830	3 - 25	130510-30830	1 - 13	177227-10630	3 - 36
101541-30831	1 - 46	130516-30830	1 - 12	177228-30830	3 - 35
101578-30830	1 - 44	131004-19831	4 - 30	177234-30830	3 - 20
123000-38832	2 - 29	131050-19830	1 - 36	177242-30830	3 - 32
123000-38832	8 -	131051-19830	1 - 38	177247-12331	3 - 21
123110-16130	8 - 1	131051-19830	4 - 34	178010-19830	4 - 14
123112-12330	8 - 4	131205-19831	4 - 5	178043-19830	4 - 13
123113-16130	8 - 10	131300-56430	4 - 23	178073-32430	4 - 12
123114-38830	8 - 5	131328-40630	4 - 22	178078-19830	2 - 30
123114-38830	8 - 12	132010-30830	4 - 4	178090-30130	4 - 11
123116-16130	8 - 13	132011-19831	4 - 2	178114-19830	2 - 31
123117-32430	8 - 11	132012-02960	4 - 1	178302-12330	4 - 25
123118-02261	8 - 20	132013-26630	4 - 43	178307-30830	2 - 34
123120-32631	8 - 18	132013-26630	6 - 4	178510-30830	2 - 32
123122-32630	8 - 22	132115-01461	4 - 3	178810-11231	2 - 33
123123-18330	8 - 21	132115-12330	6 - 27	305114-06060	4 - 41
123124-19830	8 - 2	145510-30830	2 - 46	351103-30832	4 - 18
123125-12330	8 - 3	145610-30830	2 - 41	351111-19830	4 - 16
123126-10631	8 - 9	145711-30830	2 - 48	351155-30131	4 - 9
123130-02960	8 - 30	145813-31730	2 - 49	351249-06960	7 - 17
123131-19830	8 - 14	145861-30830	2 - 43	351606-60830	4 - 42
123132-17330	8 - 6	150611-30830	3 - 13	351614-60830	4 - 39
123135-10630	8 - 8	152112-05730	3 - 10	433010-60830	7 - 20
123136-10630	8 - 7	156114-04920	2 - 37	433011-19830	1 - 27
123137-19830	8 - 23	156601-30832	3 - 11	433012-30830	5 - 3

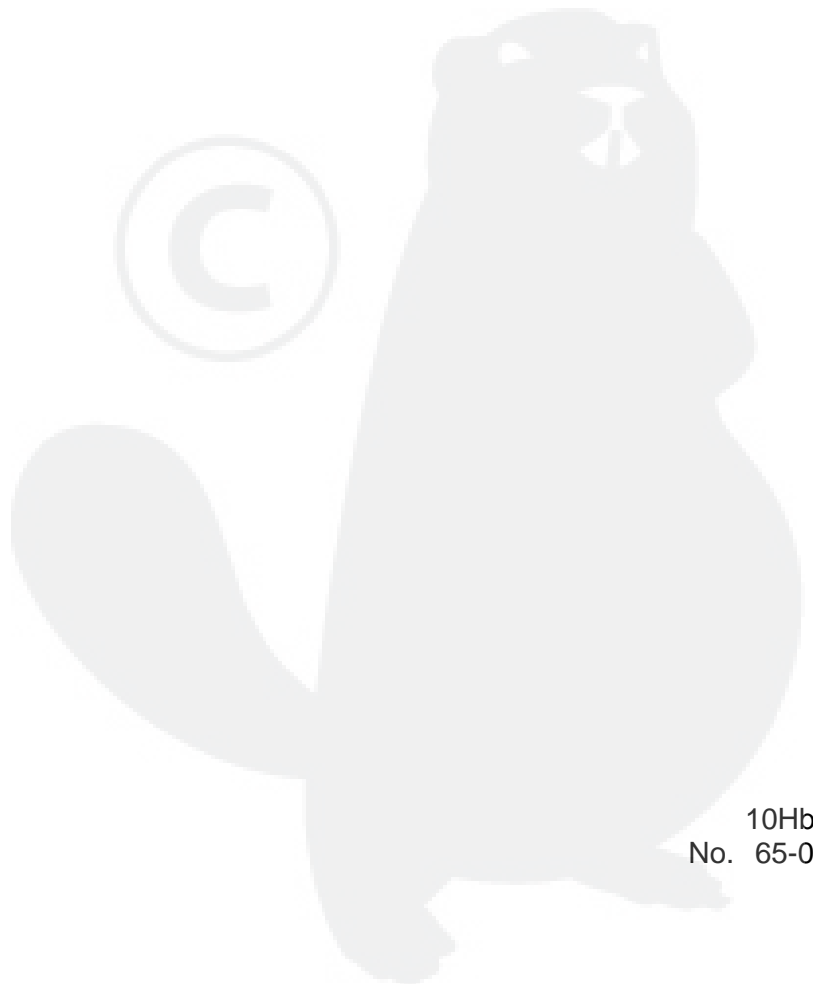
Index

Patrs Number	Key No.	Patrs Number	Key No.	Patrs Number	Key No.
433013-30830	5 - 6	895812-03930	5 - 22	900720-00010	2 - 3
433014-02830	1 - 16	898510-07130	5 - 26	900720-20029	4 - 31
433016-11031	1 - 14	898568-14530	5 - 25	900721-00025	1 - 35
433019-12330	3 - 6	900105-04008	5 - 14	900810-36203	1 - 26
433019-12330	5 - 2	900105-06020	1 - 41	91335-05035	7 - 5
433025-60830	7 - 21	900162-04010	2 - 42	P003-000010	8 - 19
433028-11030	1 - 15	900162-04010	4 - 36	P021-005410	1 - 2
433105-60830	7 - 2	900162-04014	4 - 10	P021-005420	1 - 4
433114-38331	7 - 3	900162-04014	6 - 1	P021-007312	7 - 1
433115-38330	7 - 11	900162-04020	3 - 12	P021-014070	1 - 17
433122-38130	7 - 13	900162-05014	1 - 32	P021-014640	5 - 24
433123-60830	7 - 18	900162-05014	2 - 27	V203-000140	3 - 24
433142-60830	7 - 19	900162-05014	3 - 27	V450-000290	6 - 15
433167-39130	7 - 6	900162-05014	4 - 7	V611-000000	1 - 6
433208-35431	7 - 8	900162-05020	1 - 18	X502-000460	3 - 38
433209-35430	7 - 12	900162-05020	1 - 33	X502-000560	5 - 1
433310-60830	7 - 14	900162-05020	2 - 50	X503-009160	2 - 5
433312-32630	7 - 10	900162-05020	3 - 2	X602-000080	5 - 23
436001-31730	1 - 34	900162-05020	3 - 37		
436114-13930	1 - 23	900162-05020	4 - 26		
436205-14730	6 - 29	900162-05020	4 - 38		
437002-37530	6 - 30	900162-05020	6 - 22		
437012-00330	6 - 14	900162-05025	2 - 23		
437015-19830	6 - 24	900162-05035	1 - 30		
437039-30830	6 - 25	900162-05055	2 - 26		
437063-33231	6 - 6	900162-06020	2 - 47		
437066-30831	6 - 3	900162-06025	1 - 1		
437100-19832	6 - 11	900220-04008	2 - 40		
437110-19831	6 - 19	900238-04010	7 - 15		
437111-19830	6 - 18	900238-05014	1 - 39		
437112-19831	6 - 16	900238-05025	7 - 16		
437118-19830	6 - 12	900241-03006	5 - 4		
437121-10130	6 - 21	900241-04008	5 - 5		
437122-03430	6 - 13	900242-04008	2 - 39		
437210-30830	6 - 10	900246-03008	1 - 37		
437210-31730	4 - 20	900246-03008	4 - 33		
437210-31730	4 - 20	900330-35260	7 - 4		
437210-38330	6 - 28	900330-40088	7 - 9		
437211-32430	6 - 8	900342-50025	4 - 15		
437212-32430	6 - 9	900345-20016	6 - 20		
437605-32430	6 - 2	900345-50010	1 - 24		
880210-30830	1 - 40	900562-50005	7 - 7		
890155-30130	5 - 19	900600-00005	1 - 19		
890157-19830	2 - 36	900603-00005	3 - 23		
890157-39130	4 - 17	900605-00006	1 - 42		
890169-60830	2 - 10	900700-00003	6 - 23		
890316-39130	5 - 18	900720-00003	2 - 4		
890345-39230	1 - 47	900720-00003	6 - 7		
890631-38130	1 - 48	900720-00007	6 - 17		

YAMABIKO CORPORATION

7-2 SUEHIROCHO 1-CHOME, OHME, TOKYO 198-8760, JAPAN
PHONE: 81-428-32-6118. FAX: 81-428-32-6145.

ECHO®



10Hb
No. 65-023