



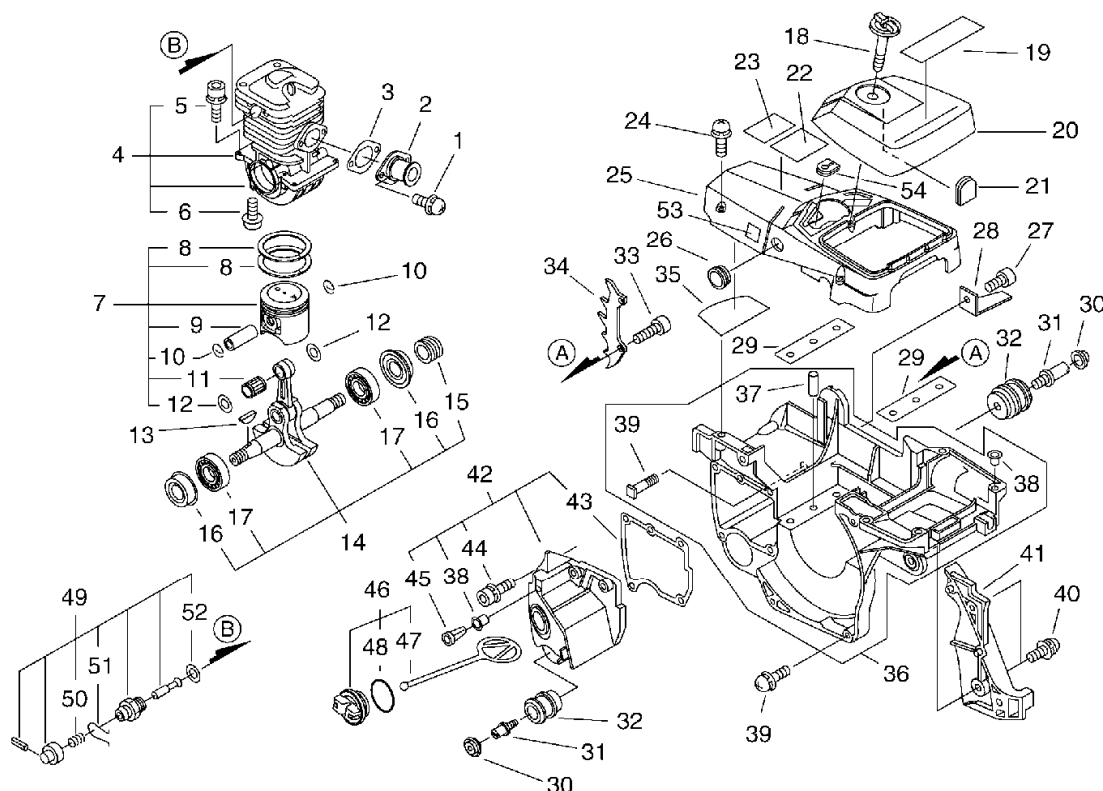
PARTS CATALOG

CHAIN SAW CS-510(36)

36021091 -

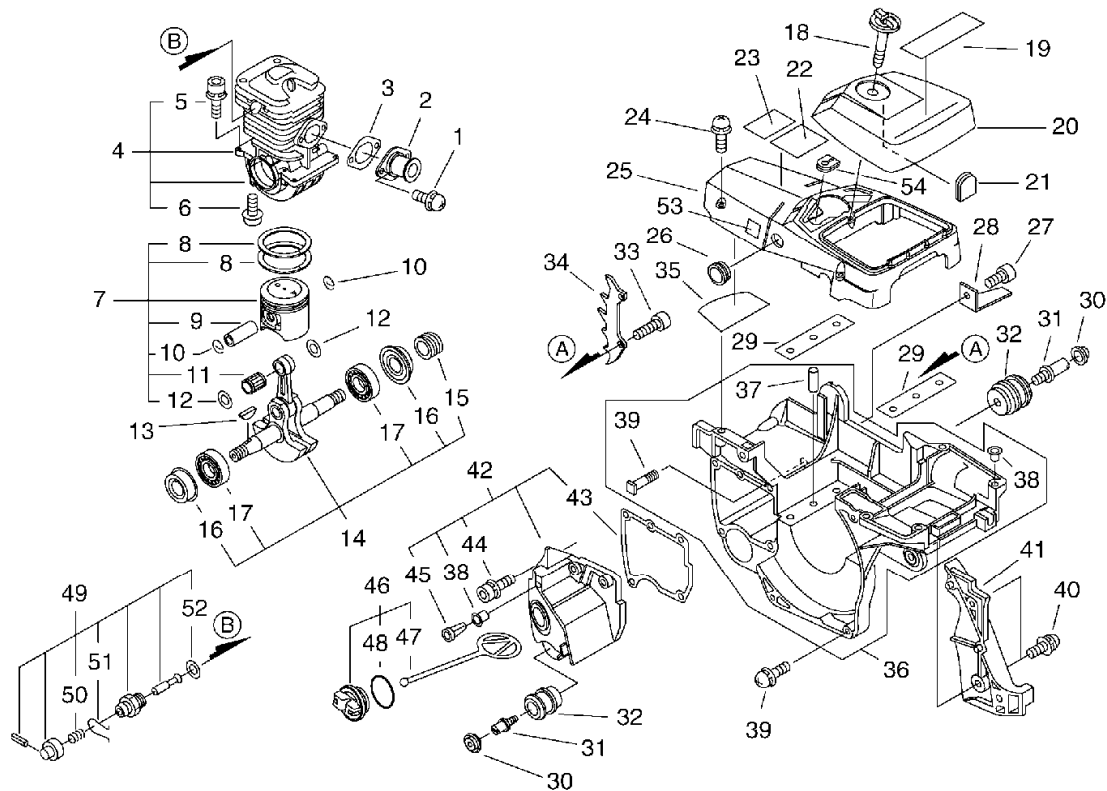
P014-000330-10Hc

1. CYLINDER, CRANKCASE, PISTON



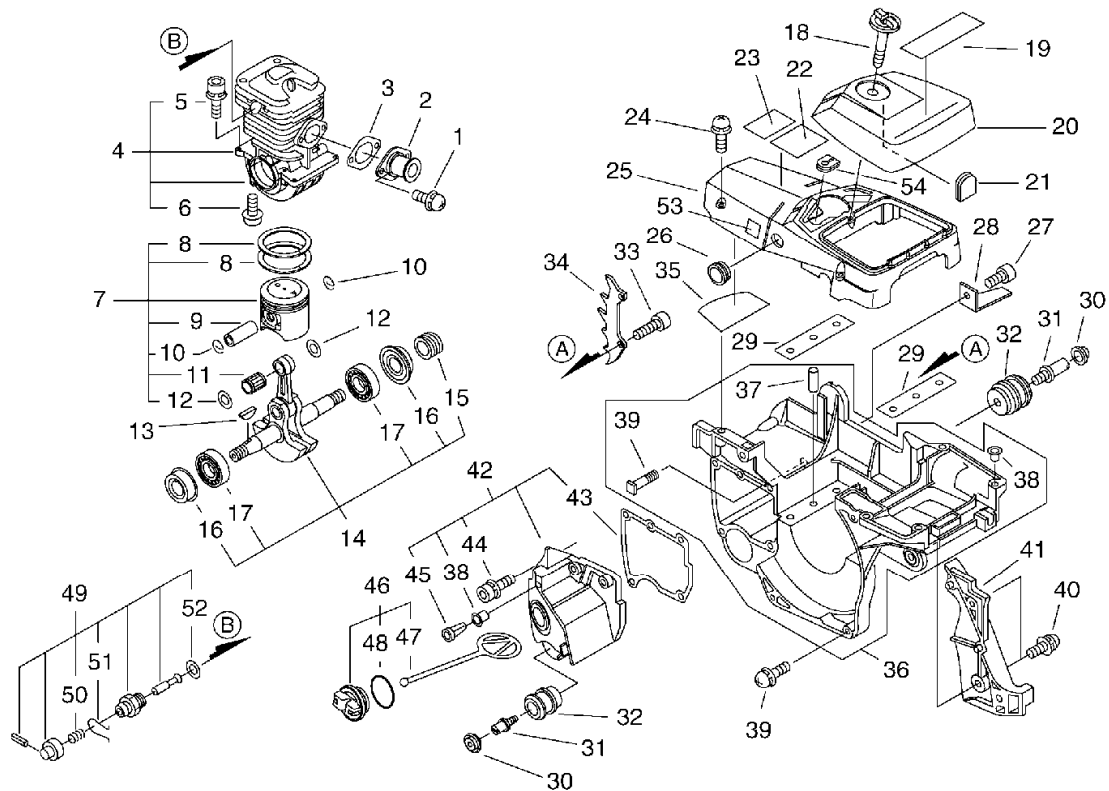
KEY	LV	PART NUMBER	Q'TY	DESCRIPTION	REMARKS	NOTE1	NOTE2
1		900238-05012	2	SCREW 5*12	5*12		
2		130510-39932	1	ADAPTER, INTAKE			
3		130016-39930	1	GASKET, INTAKE			
4		P021-004082	1	CRANKCASE SET			
5	+	V203-000170	4	BOLT,5	5*22		
6	+	900106-05020	4	BOLT, H.S. 5*20	5*20		
7		P021-001064	1	PISTON KIT			
8	+	100011-39731	2	RING, PISTON			
9	+	V609-000000	1	PIN,ENG 11			
10	+	100015-32330	2	CIRCLIP, PISTON PIN			
11	+	V556-000000	1	BEARING,NEEDLE 11	KBK11*15*15.8X2		
12	+	V308-000010	2	WASHER,CIRCULAR 11	11*19*3.1		
13		100142-30830	1	KEY, WOODRUFF			
14		P021-001072	1	CRANKSHAFT,ASSY			
15	+	V652-000080	1	GEAR,WORM			
16	+	V508-000000	2	SEAL,OIL 15			
17	+	900810-36202	2	BEARING, BALL 6202	6202/C3		
18		A235-000020	1	KNOB,CLEANER LID			
19		X503-008310	1	LABEL,MODEL	CS-510 EU		
20		A232-000023	1	LID,CLEANER			
21		130338-32430	1	PLUG, COVER			
22		X505-000180	1	LABEL,CAUTION			
23		890345-39230	1	LABEL,CAUTION			
24		163890-38330	3	BOLT, 5			
25		A160-000102	1	COVER,CYLINDER			

1. CYLINDER, CRANKCASE, PISTON



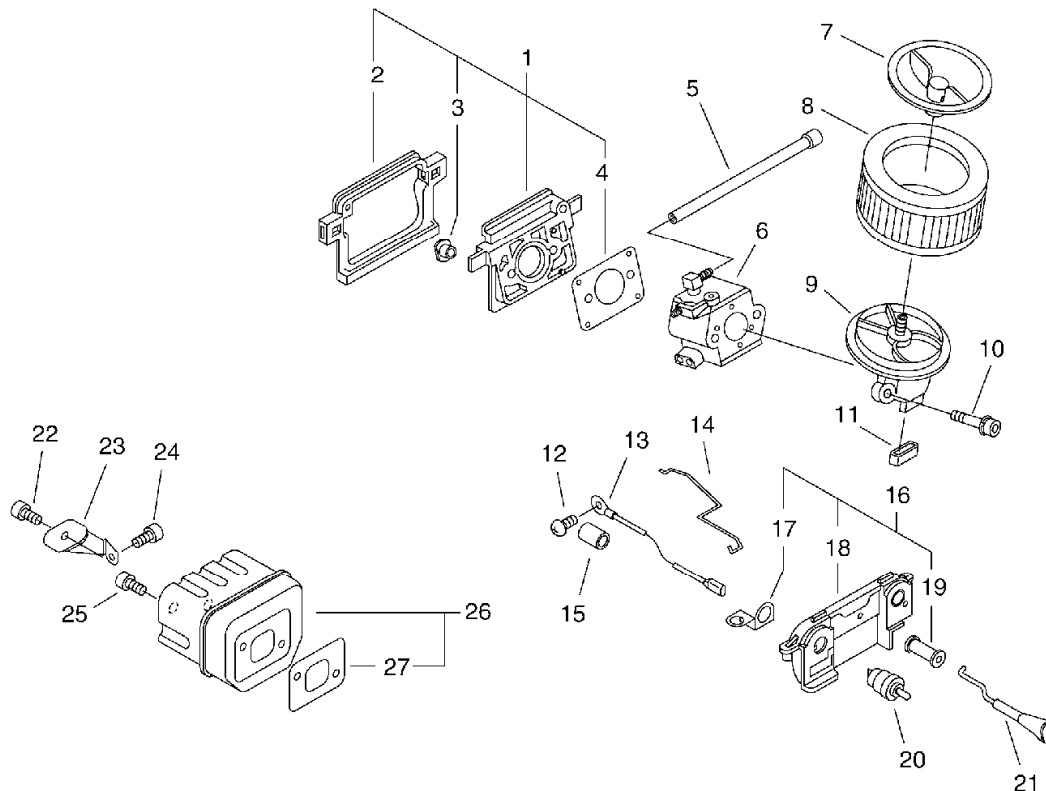
KEY	LV	PART NUMBER	Q'TY	DESCRIPTION	REMARKS	NOTE1	NOTE2
26		101578-38431	1	PLUG			
27		900162-05014	1	BOLT, H.S. 5*14	5*14 W,SW		
28		C310-000000	1	CATCHER, CHAIN			
29		V150-001740	2	PLATE, EYE			
30		100918-38330	2	CAP, CUSHION			
31		100915-33930	2	SCREW			
32		100921-38330	2	CUSHION			
33		900105-05012	2	BOLT, H.S. 5*12	5*12		
34		C304-000030	1	SPIKED			
35		101520-35430	1	COVER			
36		P021-012470	1	COVER, ENGINE			
37	+	100215-03930	2	PIN, DOWEL			
38	+	436018-38330	2	PIN, DOWEL			
39	+	433011-19830	2	STUD, GUIDE BAR			
40		900238-05016	3	SCREW 5*16	5*16		
41		C300-000321	1	GUARD, SPROCKET			
42		P021-012550	1	TANK, OIL	BS		
38	+	436018-38330	1	PIN, DOWEL			
43	+	436019-38330	1	GASKET, OIL TANK			
44	+	900162-04016	3	BOLT, H.S. 4*16	4*16 W,SW		
45	+	436114-13930	1	VALVE, CHECK			
46		P021-007630	1	CAP ASY, TANK			
47	+	A365-000050	1	CONNECTOR, CAP			
48	+	900721-00025	1	O-RING 25	G-25		
49		101100-21360	1	RELEASE ASSY, COMP.			
49		P021-015150	1	DECOMP, ASM			

1. CYLINDER, CRANKCASE, PISTON



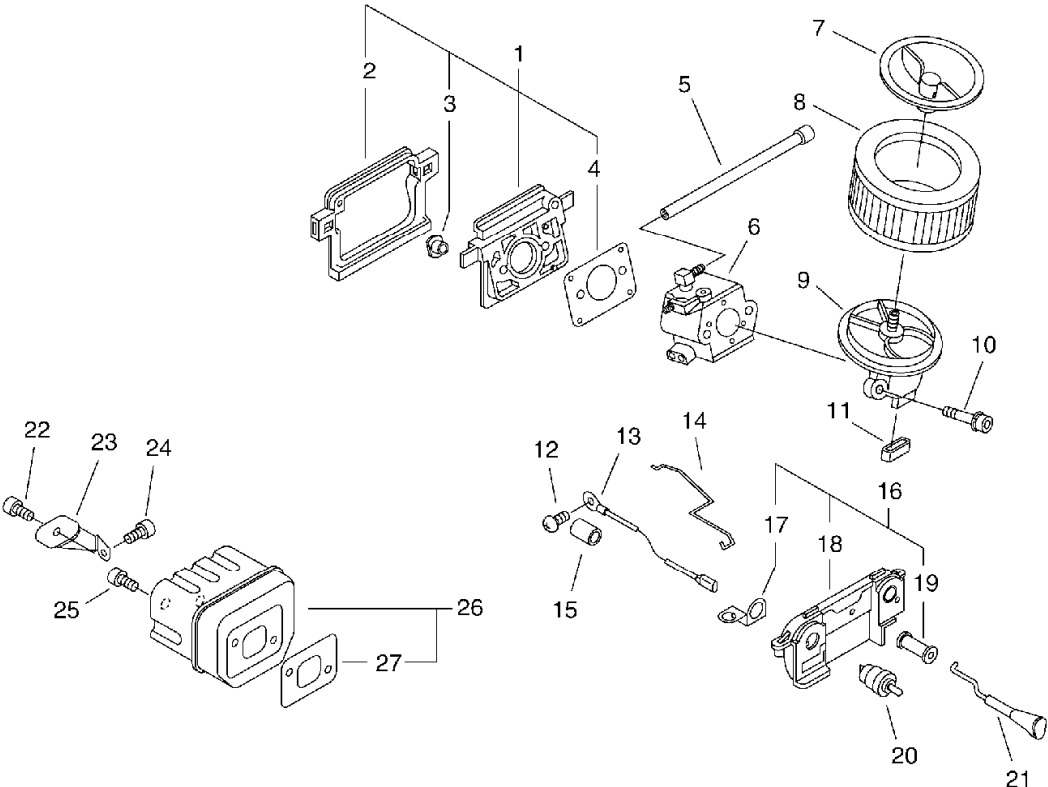
KEY	LV	PART NUMBER	Q'TY	DESCRIPTION	REMARKS	NOTE1	NOTE2
50	+	101113-37530	1	SPRING			
51	+	101119-37530	1	CLIP			
52	+	159025-37530	1	GASKET			
53		X505-000000	1	LABEL, CAUTION			
54		V135-000010	1	GROMMET, HT CORD			

2. AIR CLEANER, CARBURETOR, MUFFLER



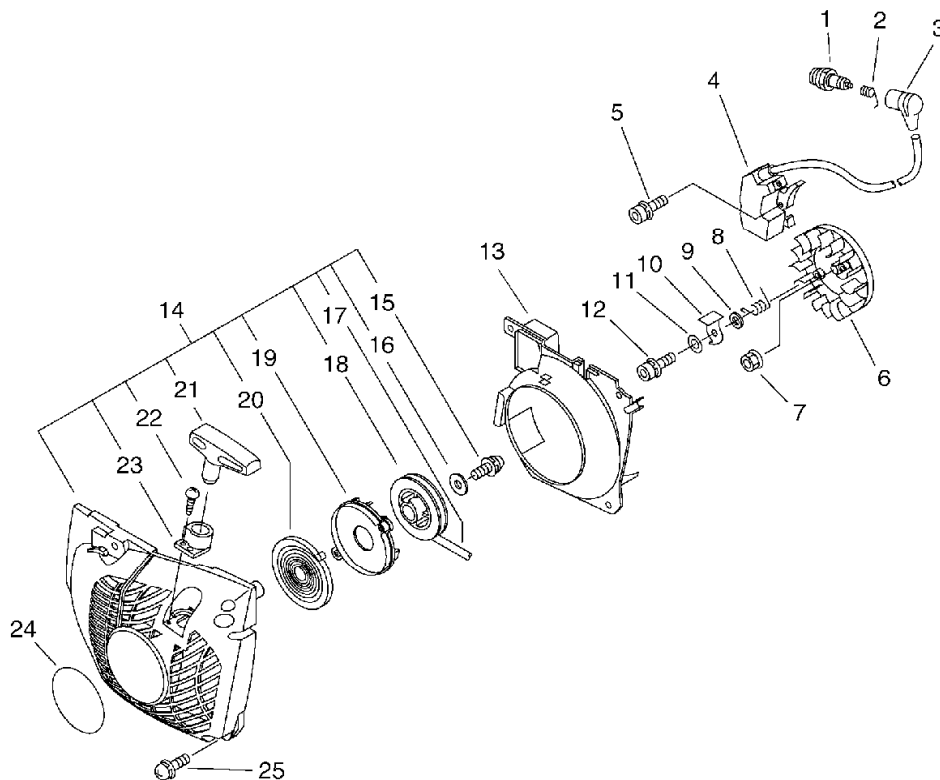
KEY	LV	PART NUMBER	Q'TY	DESCRIPTION	REMARKS	NOTE1	NOTE2
1		130000-38331	1	INSULATOR ASY,INTAKE			
2	+	V420-001130	1	CUSHION			
3	+	130020-33330	2	NUT			
4	+	130010-38330	1	GASKET, INTAKE			
5		130110-38330	1	PIPE, IMPULSE	3*5*110		
6		A021-001000	1	CARBURETOR,DIAPHRAGM	C1Q-K79		
7		130405-38332	1	BRACKET, AIR CLEANER			
8		130310-38331	1	FILTER, AIR			
9		A204-000004	1	ELBOW,CARBURETOR			
10		900162-05050	2	BOLT, H.S. 5*50	5*50 W,SW		
11		130430-38330	1	CUSHION			
12		900220-04006	1	SCREW 4*6	4*6		
13		162010-38332	1	LEAD, GROUND			
14		C454-000150	1	ROD, THROTTLE			
15		C483-000000	1	BOOT,CONNECTOR			
16		163804-38935	1	BRACKET, SWITCH			
17	+	163413-38930	1	PLATE, SWITCH			
18	+	163810-38933	1	BRACKET, SWITCH			
19	+	178810-14534	1	GROMMET			
20		163400-38330	1	SWITCH, IGNITION			
21		A241-000101	1	KNOB, CHOKE			
22		91100-06008	1	BOLT	CB-6*8		
23		A319-000080	1	STAY, MUFFLER			
24		900105-06014	1	BOLT, H.S. 6*14	6*14		
25		900105-05014	2	BOLT, H.S. 5*14	5*14		
26		P021-008610	1	MUFFLER ASY			

2. AIR CLEANER, CARBURETOR, MUFFLER



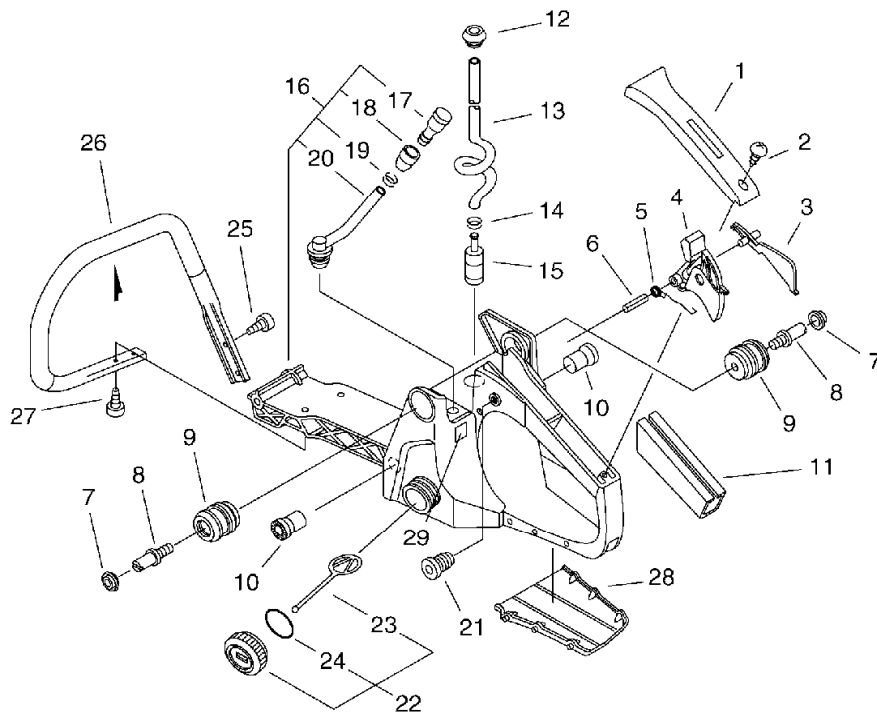
KEY	LV	PART NUMBER	Q'TY	DESCRIPTION	REMARKS	NOTE1	NOTE2
27	+	145510-35431	1	GASKET, MUFFLER			

3. STARTER, MAGNETO



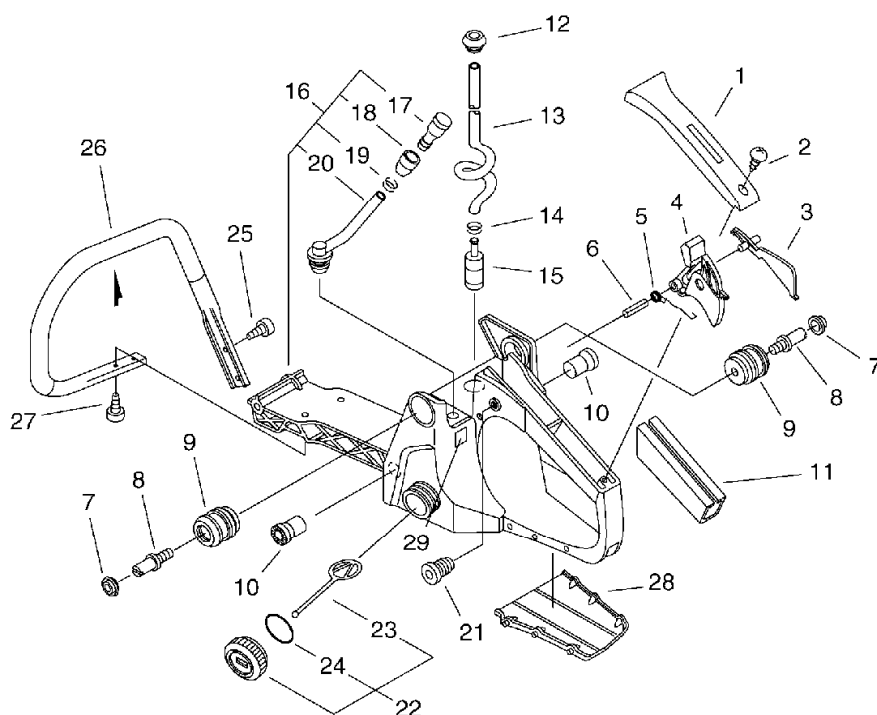
KEY	LV	PART NUMBER	Q'TY	DESCRIPTION	REMARKS	NOTE1	NOTE2
1		A425-000000	1	SPARKPLUG	BPMR8Y		
2		A426-000010	1	TERMINAL, SPARKPLUG			
3		A427-000013	1	CAP, SPARK PLUG			
4		A411-000031	1	COIL, IGNITION			
5		900162-04030	2	BOLT, H.S. 4*30	4*30 W.SW		
6		A409-000030	1	ROTOR, MAGNETO			
7		900515-00008	1	NUT, FLANGE 8	8		
8		177234-35430	2	SPRING, RETURN			
9		900603-00005	2	WASHER 5	5.5*12*0.8		
10		177218-19830	2	PAWL, STARTER			
11		177247-04630	2	SPACER, RATCHET	5.2*8*2.1		
12		V203-000090	2	BOLT, 5	M5*14		
13		A172-000062	1	COVER, FAN			
14		P021-013481	1	STARTER ASY			
15	+	900238-05012	1	SCREW 5*12	5*12		
16	+	177214-02830	1	WASHER	5.2*16*1.0T		
17	+	177226-19830	1	ROPE, STARTER	3.5*850		
18	+	A506-000100	1	REEL, ROPE			
19	+	177221-35430	1	PLATE, STARTER			
20	+	177220-35430	1	SPRING, REWIND			
21	+	177228-35430	1	GRIP, STARTER (BL)			
22	+	900296-03014	1	SCREW 3*14	3*14 SUS		
23	+	177227-37930	1	GUIDE, ROPE			
24		X502-000410	1	LABEL, ECHO			
25		900238-05018	3	SCREW 5*18	5*18		

4. HANDLE



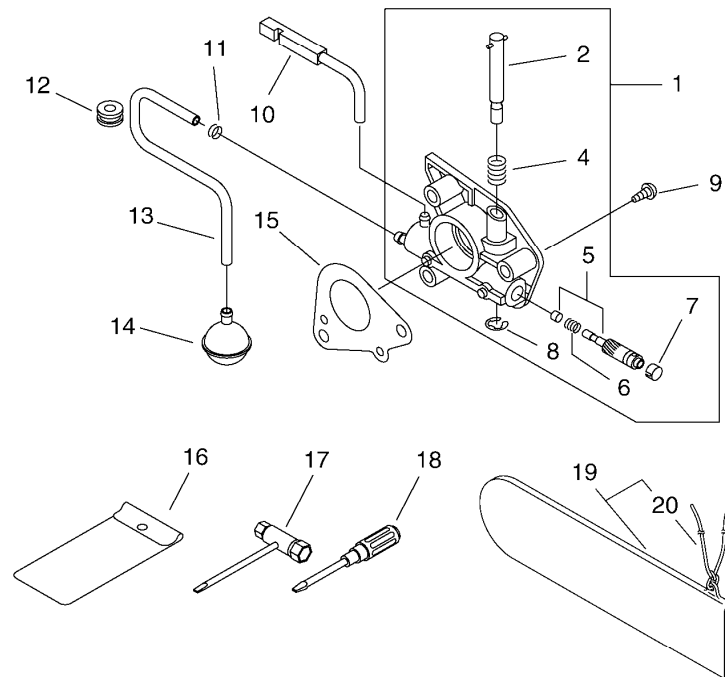
KEY	LV	PART NUMBER	Q'TY	DESCRIPTION	REMARKS	NOTE1	NOTE2
1		351155-35430	1	COVER, HANDLE (BL)			
2		900253-04014	1	SCREW 4*14	4*14		
3		C460-000072	1	LOCKOUT, THROTTLE			
4		C450-000212	1	CONTROL, THROTTLE			
5		V452-000260	1	SPRING, TORSION			
6		900345-40030	1	PIN, SPRING 4*30SUS	4*30SUS		
7		100918-38330	2	CAP, CUSHION			
8		100915-32530	2	BOLT			
9		100921-38330	2	CUSHION			
10		100910-38330	2	CUSHION			
11		351111-19830	1	GRIP, HANDLE			
12		132115-04920	1	GROMMET			
13		132010-38331	1	PIPE	3*6*165		
14		132013-26630	1	CLIP	6.5MM		
15		131205-19831	1	STRAINER, FUEL			
16		P021-012561	1	HANDLE ASY, REAR			
17	+	131300-56430	1	VALVE, CHECK			
18	+	131328-40630	1	COVER, VENT			
19	+	132013-26630	1	CLIP	6.5MM		
20	+	132012-39331	1	PIPE	3*6*105		
21		V162-000040	1	PLUG			
22		P021-010600	1	FUEL CAP ASY			
23	+	A365-000050	1	CONNECTOR, CAP			
24	+	900720-00022	1	O-RING 22	P-22		
25		91145-05020	2	BOLT HS TAPPING	5*20		
26		C400-000010	1	HANDLE, FRONT			

4. HANDLE



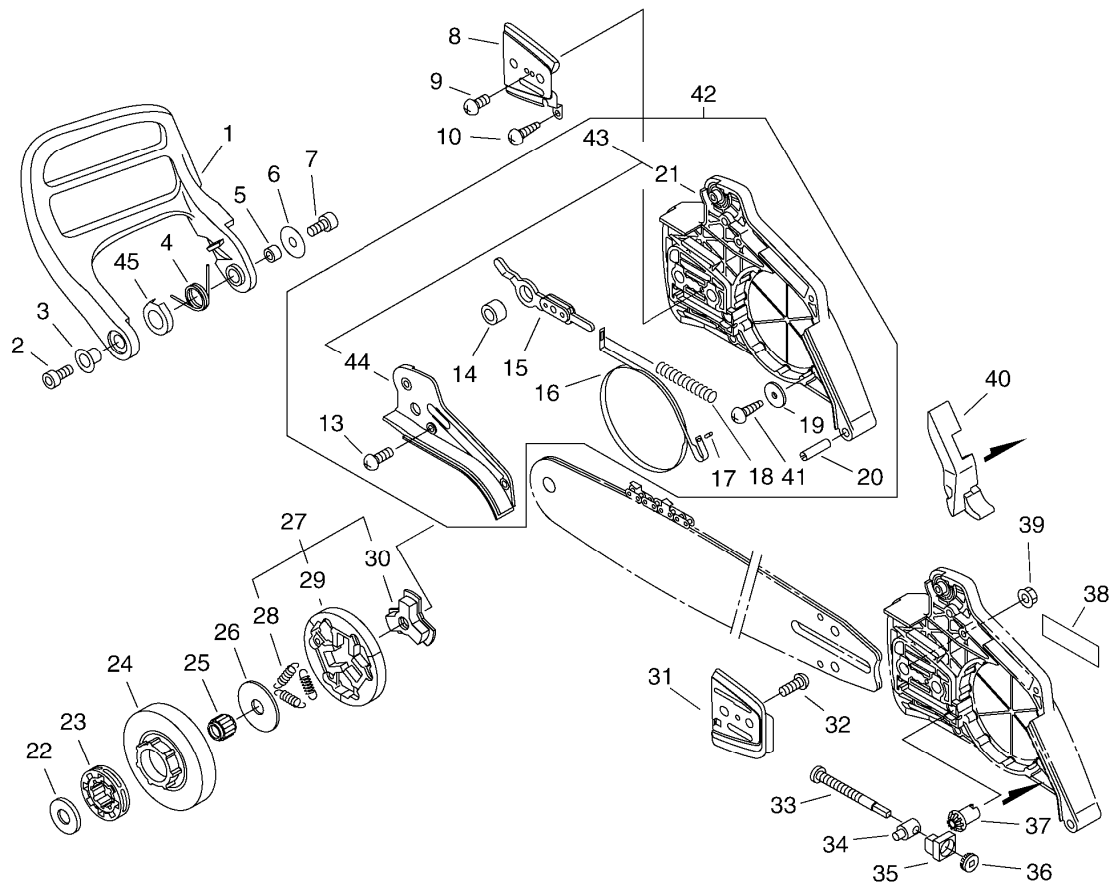
KEY	LV	PART NUMBER	Q'TY	DESCRIPTION	REMARKS	NOTE1	NOTE2
27		91145-05016	2	BOLT HS TAPPING	5*16		
28		C418-000040	1	SHIELD,SNOW			
29		890157-39130	1	LABEL, SWITCH			

5. AUTO-OILER



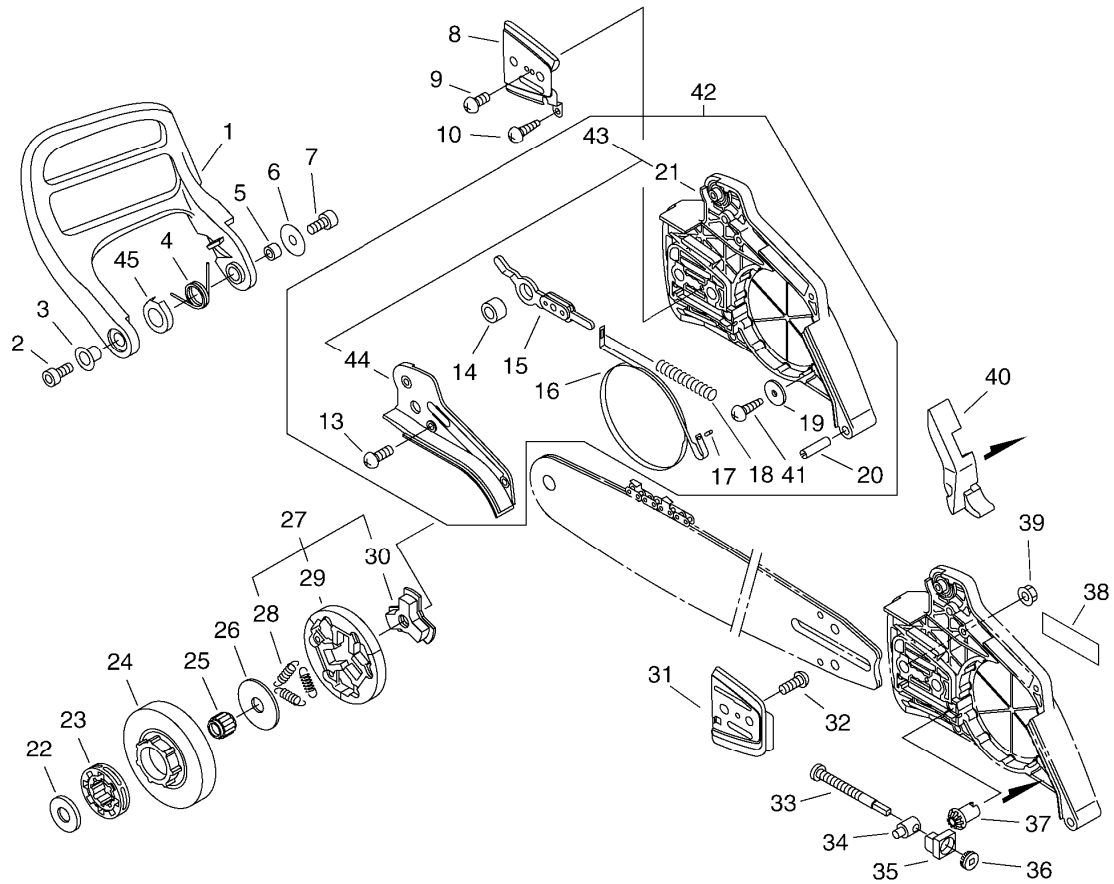
KEY	LV	PART NUMBER	Q'TY	DESCRIPTION	REMARKS	NOTE1	NOTE2
1		C022-000090	1	AUTO-OILER ASSEMBLY			
2	+	P022-024570	1	SCREW ASS'Y, ADJUST			
4	+	P022-010670	1	SPRING			
5	+	P022-010650	1	PLUNGER			
6	+	P022-010600	1	UNIT, CLUTCH			
7	+	P022-010640	1	CAP, OIL PUMP			
8	+	125327-15130	1	CLIP			
9		900223-04016	2	SCREW	4*16		
10		437229-38331	1	PIPE			
11		132013-26630	1	CLIP	6.5MM		
12		132115-12330	1	GROMMET			
13		437210-38330	1	PIPE, OIL			
14		436205-14730	1	STRAINER, OIL			
15		175310-38330	1	PLATE, SEAL			
16		898510-39130	1	BAG, TOOL			
17		X602-000080	1	TOOL, WRENCH	13*19 L180		
18		895811-00130	1	DRIVER, SCREW 125			
19		898548-14531	1	SCABBARD, CHAIN			
20	+	898568-14530	1	ROPE	5*900		

6. CLUTCH, SPROCKET



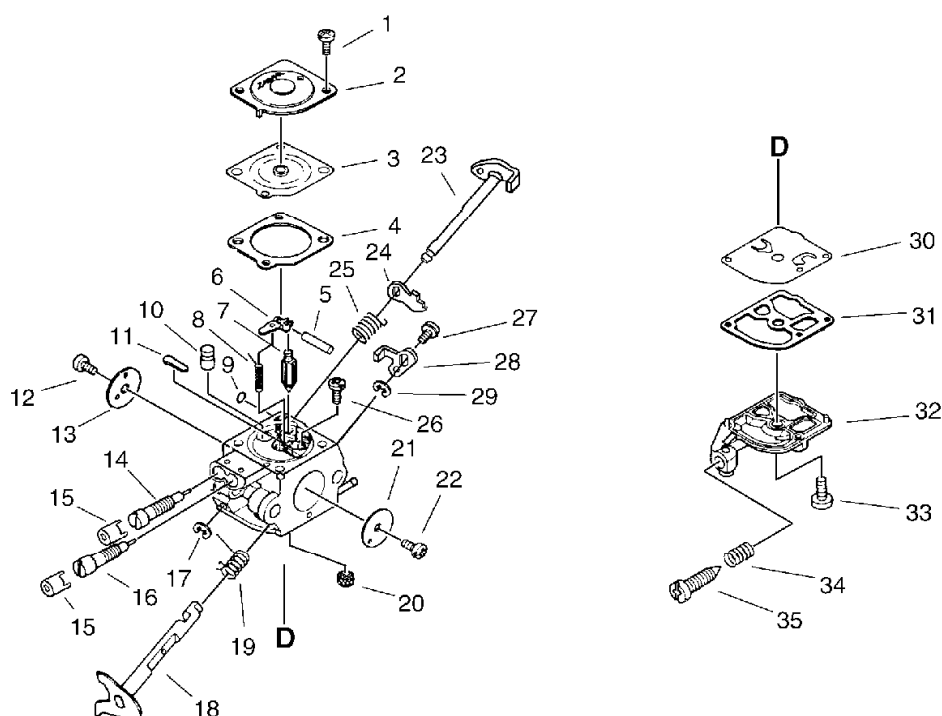
KEY	LV	PART NUMBER	Q'TY	DESCRIPTION	REMARKS	NOTE1	NOTE2
1		C320-000141	1	LEVER, BRAKE			
2		900105-05030	1	BOLT, H.S. 5*30	5*30		
3		V356-000300	1	COLLAR, 10			
4		V452-001280	1	SPRING, TORSION			
45		V456-000230	1	HOLDER, SPRING			
5		433116-35430	1	SPACER 8	8*12*9		
6		177214-03930	1	WASHER			
7		V202-000120	1	BOLT, 4			
8		C305-000001	1	PLATE, SPROCKET GUARD			
9		91325-03005	1	SCREW			
10		V202-000060	1	BOLT, 4	4*12		
42		C032-000322	1	BRAKE ASY, CHAIN			
13	+	V202-000060	3	BOLT, 4	4*12		
14	+	433116-35430	1	SPACER 8	8*12*9		
15	+	C334-000090	1	CONNECTOR, BRAKE			
16	+	C328-000110	1	BAND, BRAKE			
17	+	900330-30120	1	PIN	3*12		
18	+	V450-000070	1	SPRING, COMPRESSION			
19	+	351249-06960	1	WASHER			
20	+	900342-60025	1	PIN, SPRING	6*25		
43		P021-015240	1	GUARD, SPROCKET KIT			
21	++	C300-000352	1	GUARD, SPROCKET			
44	++	C345-000241	1	COVER, BRAKE			
41	+	900253-04016	1	SCREW 4*16	4*16		
22		A551-000000	1	PLATE, CLUTCH	12*24.5*2.3		
23		175114-12530	1	SPROCKET, RIM .325			

6. CLUTCH, SPROCKET



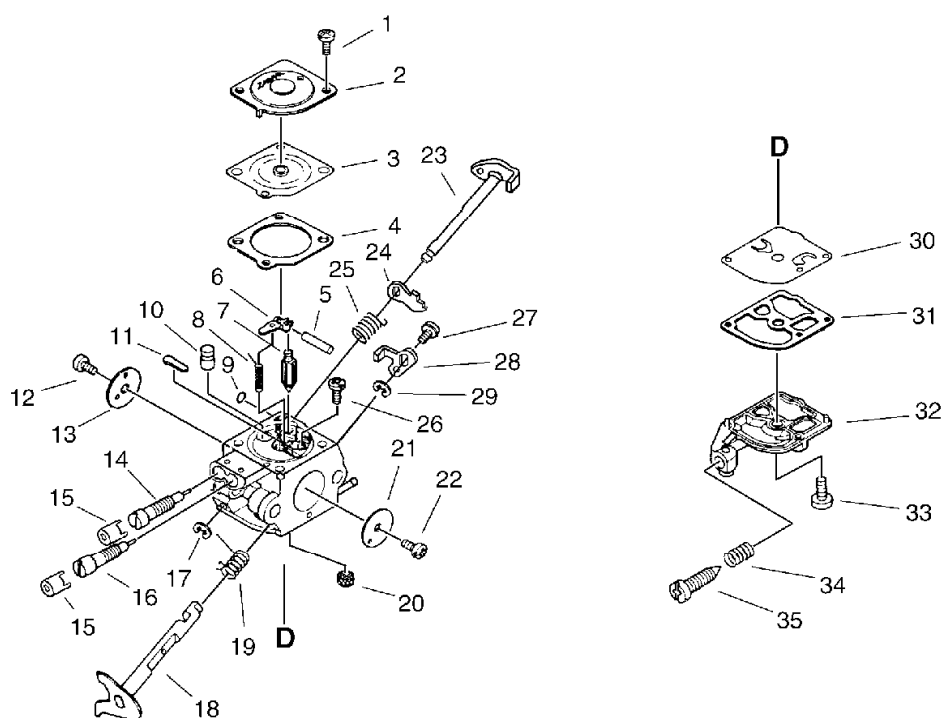
KEY	LV	PART NUMBER	Q'TY	DESCRIPTION	REMARKS	NOTE1	NOTE2
24		A556-000021	1	DRUM,CLUTCH			
25		V557-000020	1	BEARING,NEEDLE 12			
26		A551-000060	1	PLATE,CLUTCH			
27		A056-000111	1	CLUTCH			
28	+	V451-000500	3	SPRING,TENSION			
29	+	P021-007050	1	CLUTCH SHOE SET			
30	+	A552-000090	1	HUB, CLUTCH			
31		433013-35432	1	PLATE, GUIDE (INNER)			
32		900220-04006	1	SCREW 4*6	4*6		
33		V203-000110	1	BOLT,5			
34		C309-000030	1	TENSIONER,CHAIN			
35		V355-000270	1	COLLAR,8			
36		V651-000011	1	GEAR,BEVEL			
37		V651-000001	1	GEAR,BEVEL			
38		X502-000340	1	LABEL,ECHO	ECHO(WHITE)		
39		433019-12330	2	NUT, FLANGE 8	M-8		
40		C302-000000	1	PAD, GUARD			

7. CARBURETOR



KEY	LV	PART NUMBER	Q'TY	DESCRIPTION	REMARKS	NOTE1	NOTE2
		A021-001000	1	CARBURETOR,DIAPHRAGM	C1Q-K79		
1	+	125344-52130	2	SCREW			
2	+	125342-52130	1	COVER, DIAPHRAGM			
3	+	125341-49030	1	DIAPHRAGM			
4	+	125340-42030	1	GASKET, DIAPHRAGM			
5	+	125338-13930	1	PIN, METERING ARM			
6	+	125323-08260	1	ARM, VALVE			
7	+	125337-08260	1	VALVE, INLET NEEDLE			
8	+	125322-13930	1	SPRING, COIL			
9	+	125345-13310	1	PLUG, WELCH			
10	+	P005-000770	1	NOZZLE CHECK VALVE			
11	+	125345-51030	1	PLUG, WELCH			
12	+	125314-51230	1	SCREW	3*4.5		
13	+	P005-000900	1	VALVE, CHOKE			
14	+	P005-001830	1	SCREW,MAINN MIXTURE			
15	+	A259-000050	2	CAP, LIMITER			
16	+	P005-001820	1	SCREW, IDLE MIXTURE			
17	+	125327-15130	1	CLIP			
18	+	P005-000780	1	SHAFT ASY,THROTTLE			
19	+	P005-000790	1	SPRING,THRT.RETURN			
20	+	P005-000860	1	SCREEN, FUEL INLET			
21	+	P005-000810	1	VALVE, THROTTLE			
22	+	125314-13930	1	SCREW	3*4		
23	+	P005-001310	1	SHAFT, CHOKE			
24	+	P005-001300	1	LEVER, CHOKE			
25	+	P005-000880	1	SPRING, CHOKE RETURN			

7. CARBURETOR



KEY	LV	PART NUMBER	Q'TY	DESCRIPTION	REMARKS	NOTE1	NOTE2
26	+	125339-13930	1	SCREW			
27	+	125348-13930	1	SCREW			
28	+	P005-000800	1	LEVER, THROTTLE			
29	+	125327-13930	1	CLIP			
30	+	P005-000820	1	DIAPHRAGM, PUMP			
31	+	125325-08360	1	GASKET, PUMP			
32	+	P005-000830	1	COVER, PUMP			
33	+	125310-13930	1	SCREW			
34	+	125333-06960	1	SPRING, IDLE ADJUSTER			
35	+	125344-08560	1	SCREW			

Index

Patrs Number	Key No.	Patrs Number	Key No.	Patrs Number	Key No.
100011-39731	1 - 8	131328-40630	4 - 18	898568-14530	5 - 20
100015-32330	1 - 10	132010-38331	4 - 13	900105-05012	1 - 33
100142-30830	1 - 13	132012-39331	4 - 20	900105-05014	2 - 25
100215-03930	1 - 37	132013-26630	4 - 14	900105-05030	6 - 2
100910-38330	4 - 10	132013-26630	4 - 19	900105-06014	2 - 24
100915-32530	4 - 8	132013-26630	5 - 11	900106-05020	1 - 6
100915-33930	1 - 31	132115-04920	4 - 12	900162-04016	1 - 44
100918-38330	1 - 30	132115-12330	5 - 12	900162-04030	3 - 5
100918-38330	4 - 7	145510-35431	2 - 27	900162-05014	1 - 27
100921-38330	1 - 32	159025-37530	1 - 52	900162-05050	2 - 10
100921-38330	4 - 9	162010-38332	2 - 13	900220-04006	2 - 12
101100-21360	1 - 49	163400-38330	2 - 20	900220-04006	6 - 32
101113-37530	1 - 50	163413-38930	2 - 17	900223-04016	5 - 9
101119-37530	1 - 51	163804-38935	2 - 16	900238-05012	1 - 1
101520-35430	1 - 35	163810-38933	2 - 18	900238-05012	3 - 15
101578-38431	1 - 26	163890-38330	1 - 24	900238-05016	1 - 40
125310-13930	7 - 33	175114-12530	6 - 23	900238-05018	3 - 25
125314-13930	7 - 22	175310-38330	5 - 15	900253-04014	4 - 2
125314-51230	7 - 12	177214-02830	3 - 16	900253-04016	6 - 41
125322-13930	7 - 8	177214-03930	6 - 6	900296-03014	3 - 22
125323-08260	7 - 6	177218-19830	3 - 10	900330-30120	6 - 17
125325-08360	7 - 31	177220-35430	3 - 20	900342-60025	6 - 20
125327-13930	7 - 29	177221-35430	3 - 19	900345-40030	4 - 6
125327-15130	5 - 8	177226-19830	3 - 17	900515-00008	3 - 7
125327-15130	7 - 17	177227-37930	3 - 23	900603-00005	3 - 9
125333-06960	7 - 34	177228-35430	3 - 21	900720-00022	4 - 24
125337-08260	7 - 7	177234-35430	3 - 8	900721-00025	1 - 48
125338-13930	7 - 5	177247-04630	3 - 11	900810-36202	1 - 17
125339-13930	7 - 26	178810-14534	2 - 19	91100-06008	2 - 22
125340-42030	7 - 4	351111-19830	4 - 11	91145-05016	4 - 27
125341-49030	7 - 3	351155-35430	4 - 1	91145-05020	4 - 25
125342-52130	7 - 2	351249-06960	6 - 19	91325-03005	6 - 9
125344-08560	7 - 35	433011-19830	1 - 39	A021-001000	2 - 6
125344-52130	7 - 1	433013-35432	6 - 31	A021-001000	7 -
125345-13310	7 - 9	433019-12330	6 - 39	A056-000111	6 - 27
125345-51030	7 - 11	433116-35430	6 - 5	A160-000102	1 - 25
125348-13930	7 - 27	433116-35430	6 - 14	A172-000062	3 - 13
130000-38331	2 - 1	436018-38330	1 - 38	A204-000004	2 - 9
130010-38330	2 - 4	436018-38330	1 - 38	A232-000023	1 - 20
130016-39930	1 - 3	436019-38330	1 - 43	A235-000020	1 - 18
130020-33330	2 - 3	436114-13930	1 - 45	A241-000101	2 - 21
130110-38330	2 - 5	436205-14730	5 - 14	A259-000050	7 - 15
130310-38331	2 - 8	437210-38330	5 - 13	A319-000080	2 - 23
130338-32430	1 - 21	437229-38331	5 - 10	A365-000050	1 - 47
130405-38332	2 - 7	890157-39130	4 - 29	A365-000050	4 - 23
130430-38330	2 - 11	890345-39230	1 - 23	A409-000030	3 - 6
130510-39932	1 - 2	895811-00130	5 - 18	A411-000031	3 - 4
131205-19831	4 - 15	898510-39130	5 - 16	A425-000000	3 - 1
131300-56430	4 - 17	898548-14531	5 - 19	A426-000010	3 - 2

Index

Patrs Number	Key No.	Patrs Number	Key No.	Patrs Number	Key No.
A427-000013	3 - 3	P021-013481	3 - 14		
A506-000100	3 - 18	P021-015150	1 - 49		
A551-000000	6 - 22	P021-015240	6 - 43		
A551-000060	6 - 26	P022-010600	5 - 6		
A552-000090	6 - 30	P022-010640	5 - 7		
A556-000021	6 - 24	P022-010650	5 - 5		
C022-000090	5 - 1	P022-010670	5 - 4		
C032-000322	6 - 42	P022-024570	5 - 2		
C300-000321	1 - 41	V135-000010	1 - 54		
C300-000352	6 - 21	V150-001740	1 - 29		
C302-000000	6 - 40	V162-000040	4 - 21		
C304-000030	1 - 34	V202-000060	6 - 10		
C305-000001	6 - 8	V202-000060	6 - 13		
C309-000030	6 - 34	V202-000120	6 - 7		
C310-000000	1 - 28	V203-000090	3 - 12		
C320-000141	6 - 1	V203-000110	6 - 33		
C328-000110	6 - 16	V203-000170	1 - 5		
C334-000090	6 - 15	V308-000010	1 - 12		
C345-000241	6 - 44	V355-000270	6 - 35		
C400-000010	4 - 26	V356-000300	6 - 3		
C418-000040	4 - 28	V420-001130	2 - 2		
C450-000212	4 - 4	V450-000070	6 - 18		
C454-000150	2 - 14	V451-000500	6 - 28		
C460-000072	4 - 3	V452-000260	4 - 5		
C483-000000	2 - 15	V452-001280	6 - 4		
P005-000770	7 - 10	V456-000230	6 - 45		
P005-000780	7 - 18	V508-000000	1 - 16		
P005-000790	7 - 19	V556-000000	1 - 11		
P005-000800	7 - 28	V557-000020	6 - 25		
P005-000810	7 - 21	V609-000000	1 - 9		
P005-000820	7 - 30	V651-000001	6 - 37		
P005-000830	7 - 32	V651-000011	6 - 36		
P005-000860	7 - 20	V652-000080	1 - 15		
P005-000880	7 - 25	X502-000340	6 - 38		
P005-000900	7 - 13	X502-000410	3 - 24		
P005-001300	7 - 24	X503-008310	1 - 19		
P005-001310	7 - 23	X505-000000	1 - 53		
P005-001820	7 - 16	X505-000180	1 - 22		
P005-001830	7 - 14	X602-000080	5 - 17		
P021-001064	1 - 7				
P021-001072	1 - 14				
P021-004082	1 - 4				
P021-007050	6 - 29				
P021-007630	1 - 46				
P021-008610	2 - 26				
P021-010600	4 - 22				
P021-012470	1 - 36				
P021-012550	1 - 42				
P021-012561	4 - 16				

YAMABIKO CORPORATION

7-2 SUEHIROCHO 1-CHOME, OHME, TOKYO 198-8760, JAPAN
PHONE: 81-428-32-6118. FAX: 81-428-32-6145.

ECHO®



10Hc
No. 64-061