



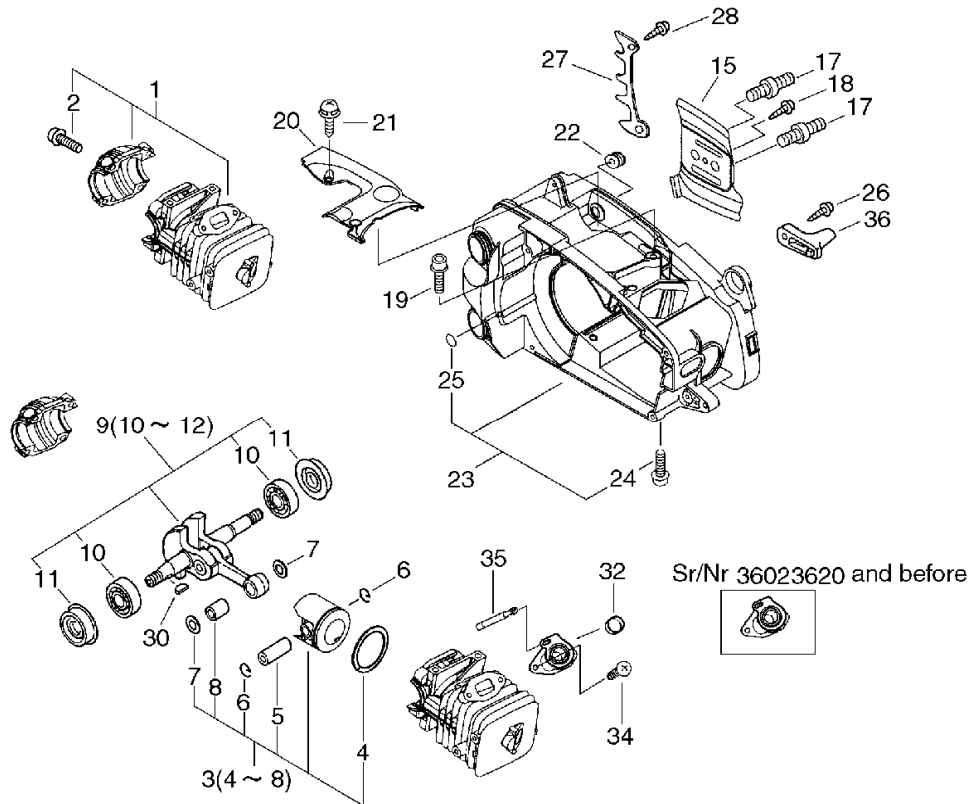
# **PARTS CATALOG**

## **TOP HANDLE SAW CS-350TES(36)**

**36042541 - 36066550**

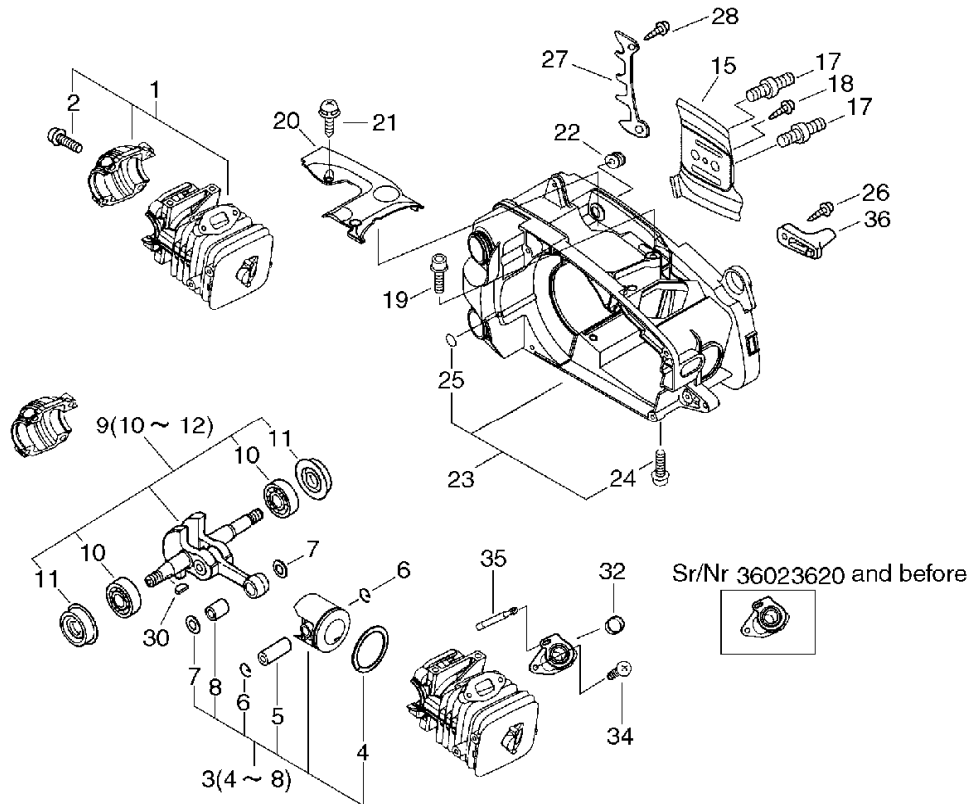
P014-000480-10Hc

## 1. CYLINDER, CRANKCASE, PISTON



KEY	LV	PART NUMBER	Q'TY	DESCRIPTION	REMARKS	NOTE1	NOTE2
1		P021-009250	1	CRANKCASE SET			
2	+	900162-05025	4	BOLT, H.S. 5*25	5*25 W,SW		
3		P021-009230	1	PISTON KIT			
4	+	A101-000120	1	RING,PISTON	BF R0.2		
5	+	100013-15330	1	PIN, PISTON	5.5*8*29		
6	+	100015-04630	2	CIRCLIP, PISTON PIN			
7	+	100014-60930	2	SPACER, PISTON PIN			
8	+	V553-000040	1	BEARING,NEEDLE 8	8E- KV8X11X11.8XS		
9		P021-010701	1	CRANKSHAFT ASY			
10	+	94035-36201	2	BEARING BALL	6201X3JR2C3		
11	+	V505-000010	2	SEAL,OIL 12			
11	+	V505-000011	2	SEAL,OIL 12	12*32*5.5		
15		C305-000080	1	PLATE,SPROCKET GUARD	T0.3		
17		V224-000031	2	BOLT,STUD 6			
18		900253-04010	1	SCREW 4*10	4*10		
19		900106-05020	2	BOLT, H.S. 5*20	5*20		
20		A127-000050	1	COVER,DUST			
21		900253-04012	2	SCREW	4*12		
22		163911-30130	1	PLUG			
23		P021-008676	1	COVER,ENGINE KIT			
24	+	900106-05030	2	BOLT, H.S.H. 5*30	5*30		
25	+	900724-00004	1	O-RING (S-4)	S-4		
26		900253-05020	1	SCREW 5*20	5*20		
27		C304-000000	1	SPIKE			
28		900253-05020	1	SCREW 5*20	5*20		

## 1. CYLINDER, CRANKCASE, PISTON

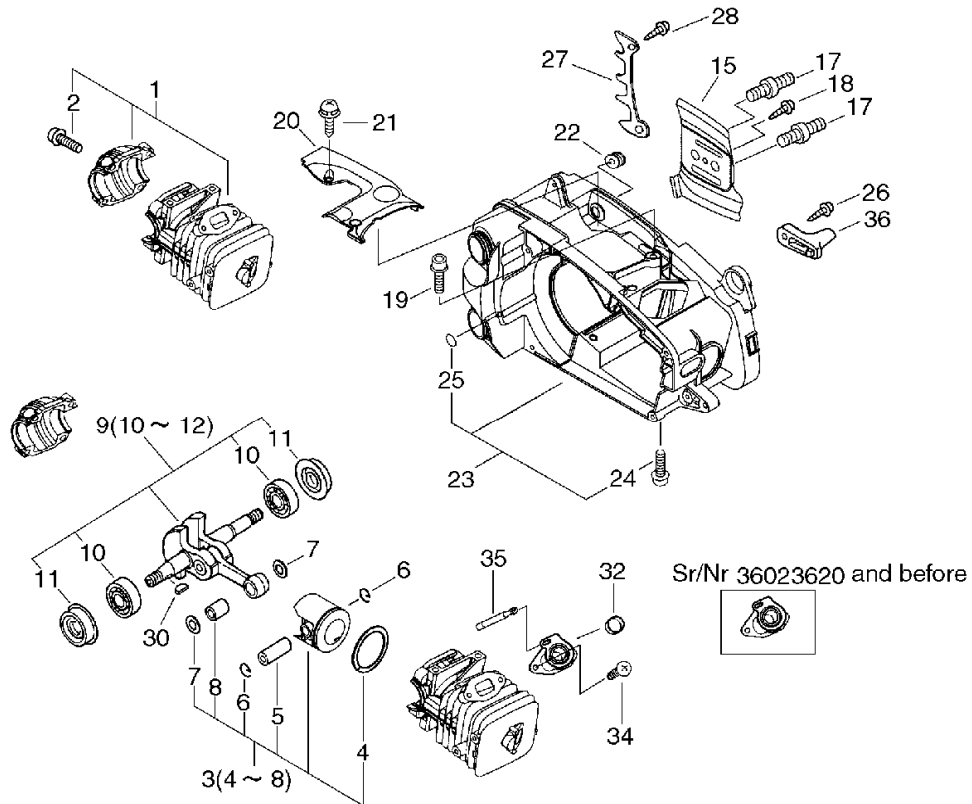


Sr/Nr 36023620 and before



KEY	LV	PART NUMBER	Q'TY	DESCRIPTION	REMARKS	NOTE1	NOTE2
30		100142-12330	1	KEY, WOODRUFF			
32		V359-000060	1	COLLAR,16			
34		91420-05012	2	SCREW	5*12		
35		V470-000481	1	PIPE	3*7*65		
36		433026-35430	1	CATCHER, CHAIN			
1		P021-009250	1	CRANKCASE SET			
2	+	900162-05025	4	BOLT, H.S. 5*25	5*25 W,SW		
3		P021-009230	1	PISTON KIT			
4	+	A101-000120	1	RING,PISTON	BF R0.2		
5	+	100013-15330	1	PIN, PISTON	5.5*8*29		
6	+	100015-04630	2	CIRCLIP, PISTON PIN			
7	+	100014-60930	2	SPACER, PISTON PIN			
8	+	V553-000040	1	BEARING,NEEDLE 8	8E- KV8X11X11.8XS		
9		P021-010701	1	CRANKSHAFT ASY			
10	+	94035-36201	2	BEARING BALL	6201X3JR2C3		
11	+	V505-000010	2	SEAL,OIL 12			
11	+	V505-000011	2	SEAL,OIL 12	12*32*5.5		
15		C305-000080	1	PLATE, SPROCKET GUARD	T0.3		
17		V224-000031	2	BOLT,STUD 6			
18		900253-04010	1	SCREW 4*10	4*10		
19		900106-05020	2	BOLT, H.S. 5*20	5*20		
20		A127-000050	1	COVER,DUST			
21		900253-04012	2	SCREW	4*12		
22		163911-30130	1	PLUG			
23		P021-008676	1	COVER,ENGINE KIT			

## 1. CYLINDER, CRANKCASE, PISTON

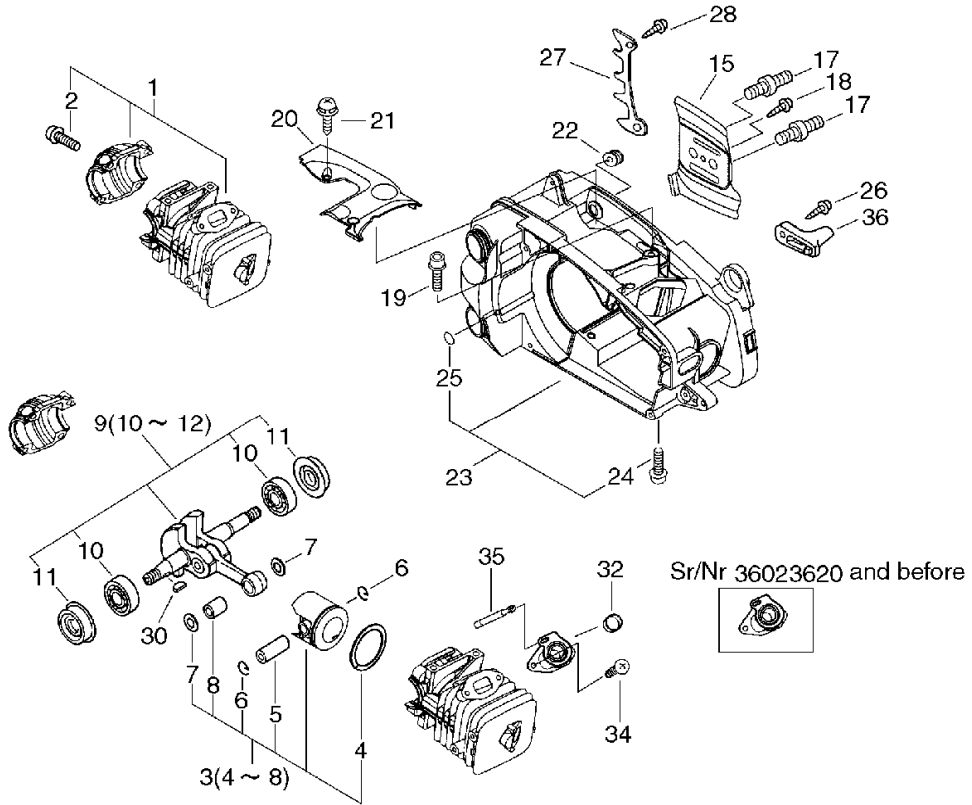


Sr/Nr 36023620 and before



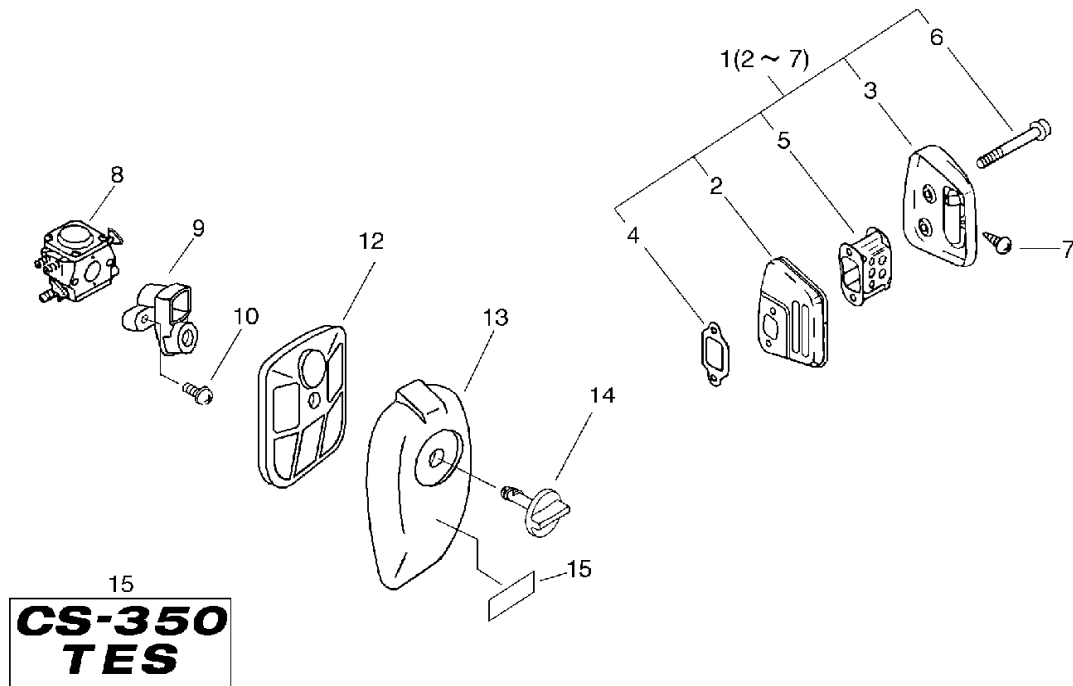
KEY	LV	PART NUMBER	Q'TY	DESCRIPTION	REMARKS	NOTE1	NOTE2
24	+	900106-05030	2	BOLT, H.S.H. 5*30	5*30		
25	+	900724-00004	1	O-RING (S-4)	S-4		
26		900253-05020	1	SCREW 5*20	5*20		
27		C304-000000	1	SPIKE			
28		900253-05020	1	SCREW 5*20	5*20		
30		100142-12330	1	KEY, WOODRUFF			
32		V359-000060	1	COLLAR,16			
34		91420-05012	2	SCREW	5*12		
35		V470-000481	1	PIPE	3*7*65		
36		433026-35430	1	CATCHER, CHAIN			

1. CYLINDER, CRANKCASE, PISTON



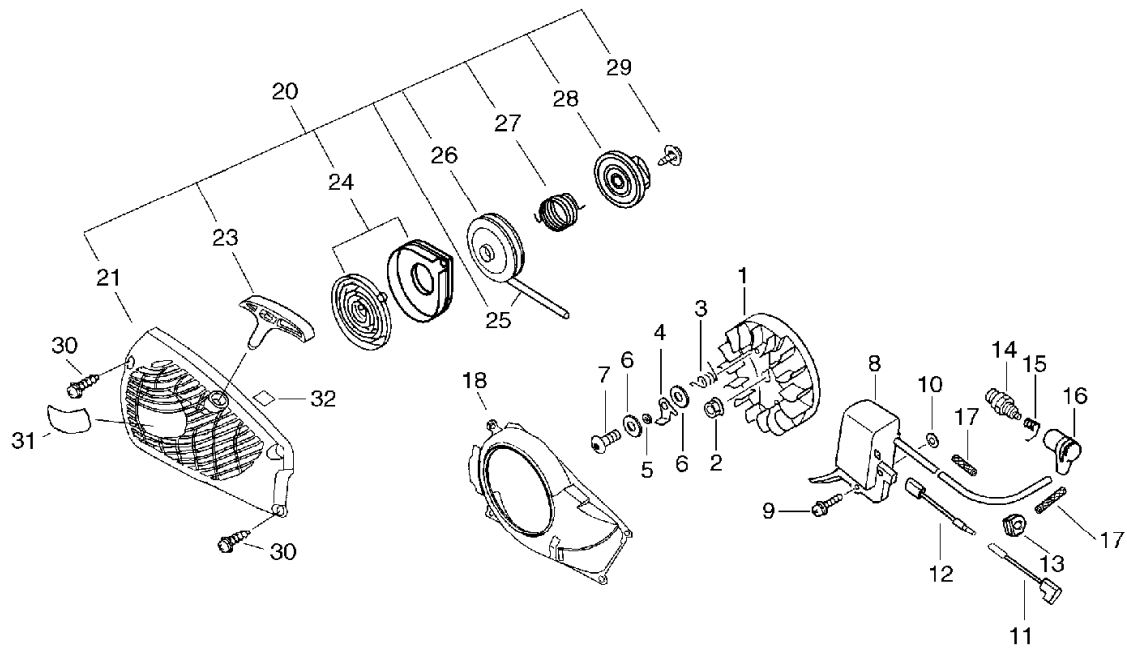
KEY	LV	PART NUMBER	Q'TY	DESCRIPTION	REMARKS	NOTE1	NOTE2
36		433026-35430	1	CATCHER, CHAIN			

2. AIR CLEANER, CARBURETOR, MUFFLER



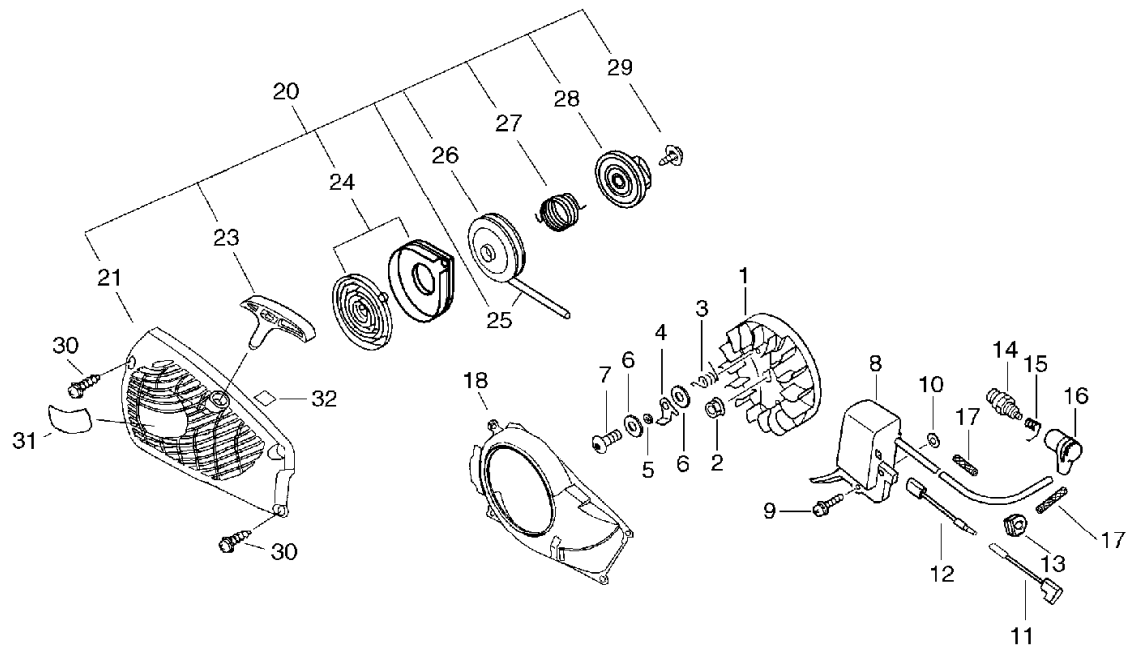
KEY	LV	PART NUMBER	Q'TY	DESCRIPTION	REMARKS	NOTE1	NOTE2
1		P021-009930	1	MUFFLER ASY			
2	+	A300-000370	1	MUFFLER,EXHAUST			
3	+	A303-000041	1	LID,MUFFLER			
4	+	145510-13931	1	GASKET, MUFFLER			
5	+	A301-000000	1	PLATE,MUFFLER			
6	+	91107-05040	2	BOLT HSH FLANGE	5*40		
7	+	900250-04008	1	SCREW 4*8	4*8		
8		A021-000862	1	CARBURETOR,DIAPHRAGM	WT-698A		
8		A021-000863	1	CARBURETOR,DIAPHRAGM	WT-698B		
9		A204-000041	1	ELBOW,CARBURETOR			
10		900238-05050	2	SCREW 5*50	5*50		
12		A226-000180	1	ELEMENT,AIR FILTER			
13		A232-000160	1	LID,CLEANER			
14		A235-000040	1	KNOB,CLEANER LID			
15		X503-006190	1	LABEL,MODEL	CS-350TES EU ST1		

## 3. STARTER, MAGNETO



KEY	LV	PART NUMBER	Q'TY	DESCRIPTION	REMARKS	NOTE1	NOTE2
1		A409-000170	1	ROTOR,MAGNETO			
2		900515-00008	1	NUT, FLANGE 8	8		
3		177234-35430	2	SPRING, RETURN			
4		A514-000020	2	PAWL			
5		177247-04630	2	SPACER, RATCHET	5.2*8*2.1		
6		900603-00005	4	WASHER 5	5.5*12*0.8		
7		V203-000080	2	BOLT,5	5*14		
8		A411-000150	1	COIL,IGNITION			
9		900238-05022	2	SCREW 5*22	5*22		
10		150117-16430	2	SPACER			
11		162010-55930	1	LEARD, GROUND	235L		
12		V485-000140	1	LEAD			
13		156110-04920	1	BUSHING			
14		159010-10230	1	PLUG, SPARK (BPMR-7A	BPMR-7A		
15		A426-000010	1	TERMINAL,SPARKPLUG			
16		A427-000013	1	CAP,SPARK PLUG			
17		V475-002390	2	TUBE			
18		A172-000501	1	COVER,FAN			
20		A051-000792	1	STARTER,RECOIL			
21	+	P022-008771	1	STARTER,RECOIL			
23	+	P022-005890	1	GRIP, STARTER			
24	+	P022-001330	1	SPRING KIT, REWIND			
25	+	P022-008440	1	ROPE, STARTER	3.5*900		
26	+	A506-000030	1	REEL,ROPE			
27	+	V452-000220	1	SPRING,TORSION	D2.3φ21.1		
28	+	A507-000021	1	CATCHER,PAWL			

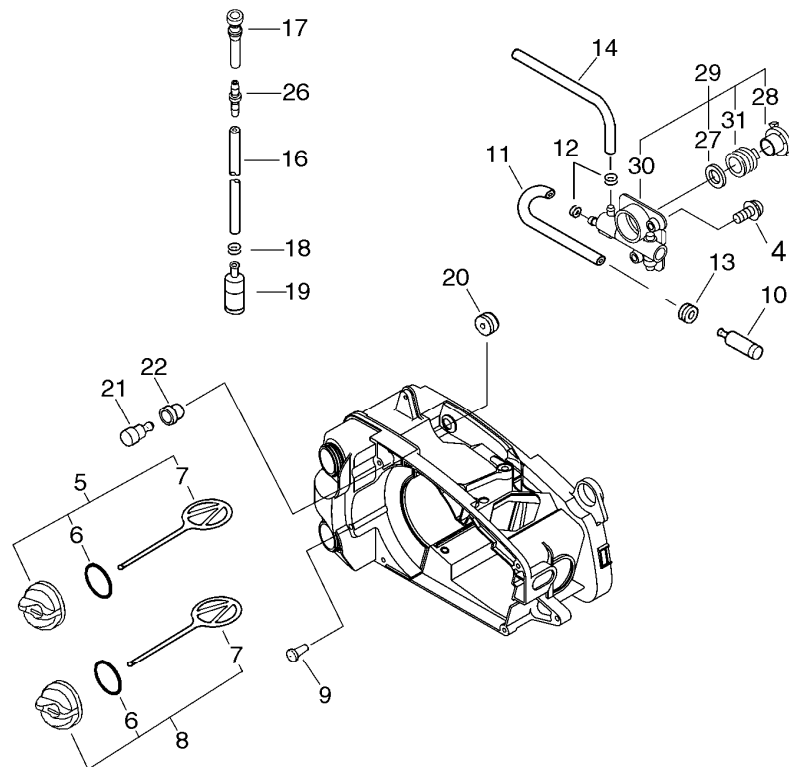
## 3. STARTER, MAGNETO



KEY	LV	PART NUMBER	Q'TY	DESCRIPTION	REMARKS	NOTE1	NOTE2
29	+	177236-61830	1	SCREW			
30		900256-04016	4	SCREW 4*16			
31		X502-000101	1	LABEL,ECHO			
32		X505-000180	1	LABEL,CAUTION			

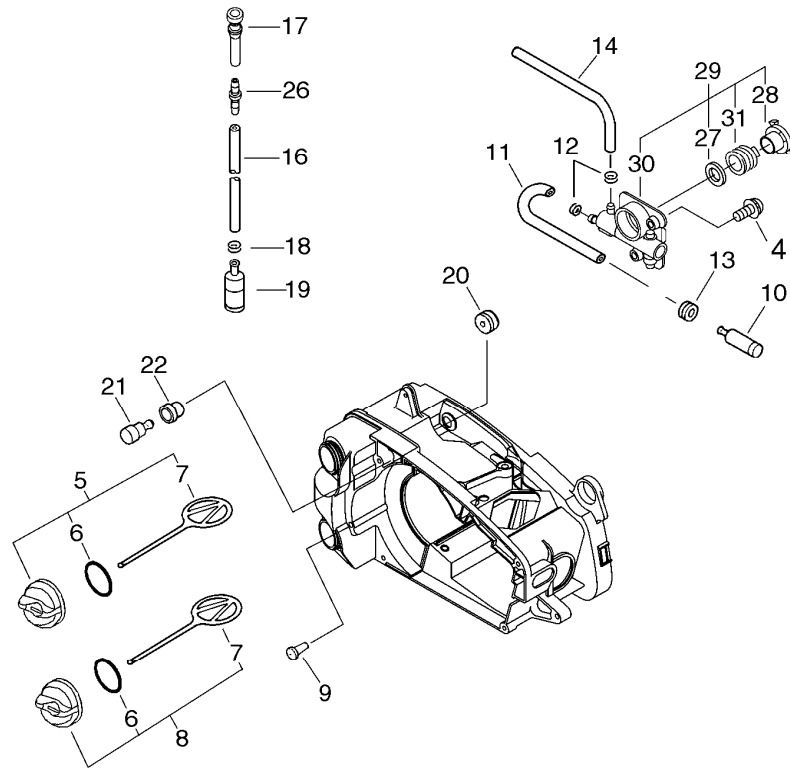


## 4. AUTO-OILER



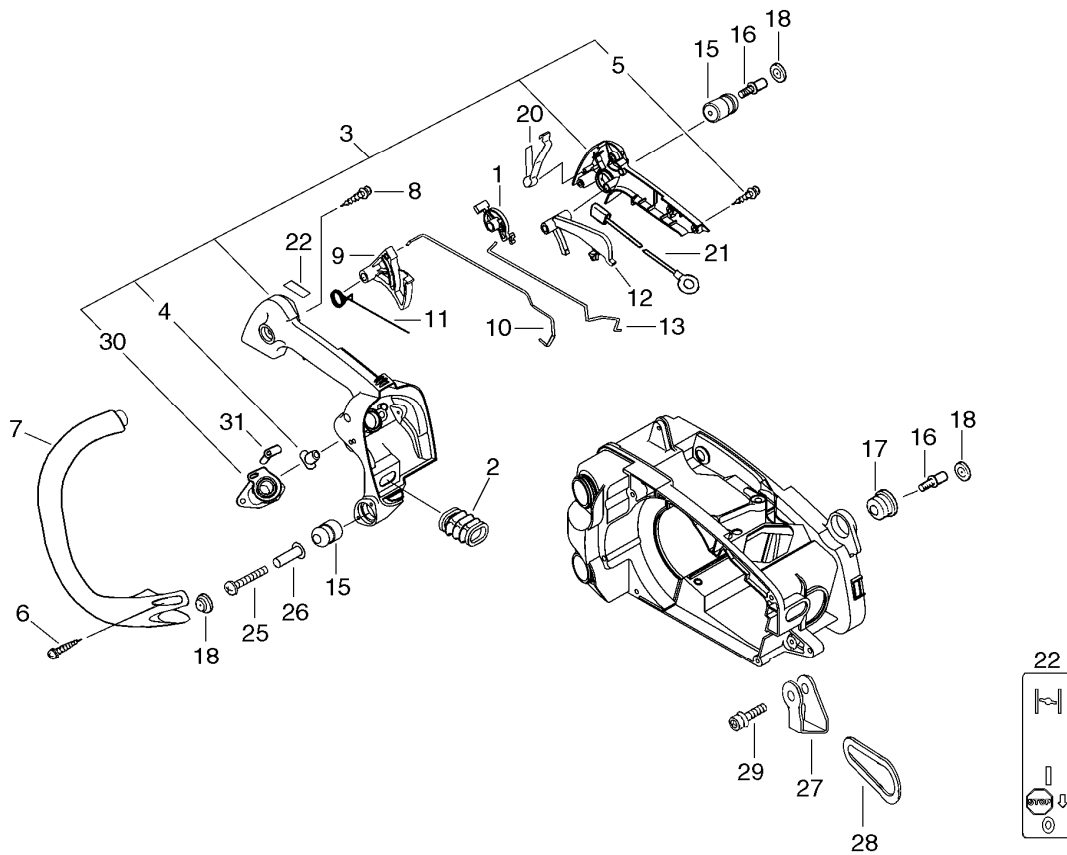
KEY	LV	PART NUMBER	Q'TY	DESCRIPTION	REMARKS	NOTE1	NOTE2
1		P021-001980	1	AUTO-OILER ASY			
2	+	C022-000020	1	AUTO-OILER ASSEMBLY			
3	+	V652-000030	1	GEAR,WORM			
27	+	V308-000030	1	WASHER,CIRCULAR 11	10.5*17.4*1.8		
28	+	V356-000290	1	COLLAR,10			
4		900238-04012	2	SCREW 4*12	4*12		
5		P021-005591	1	CAP ASY			
6	+	900720-00018	1	O-RING 18	P-18		
7	+	A365-000050	1	CONNECTOR,CAP			
8		P021-005581	1	OIL CAP ASY			
6	+	900720-00018	1	O-RING 18	P-18		
7	+	A365-000050	1	CONNECTOR,CAP			
9		436114-13930	1	VALVE, CHECK			
10		436205-02832	1	STRAINER, OIL			
11		V471-000740	1	PIPE			
12		132013-26630	2	CLIP	6.5MM		
13		132115-01461	1	GROMMET			
14		V471-000760	1	PIPE			
16		V471-000750	1	PIPE			
17		V470-000320	1	PIPE			
18		132013-09820	1	CLIP	6MM		
19		131205-14930	1	STRAINER,FUEL			
20		V137-000020	1	GROMMET,FUEL			
21		131300-56430	1	VALVE, CHECK			
22		V137-000000	1	GROMMET,FUEL			

4. AUTO-OILER



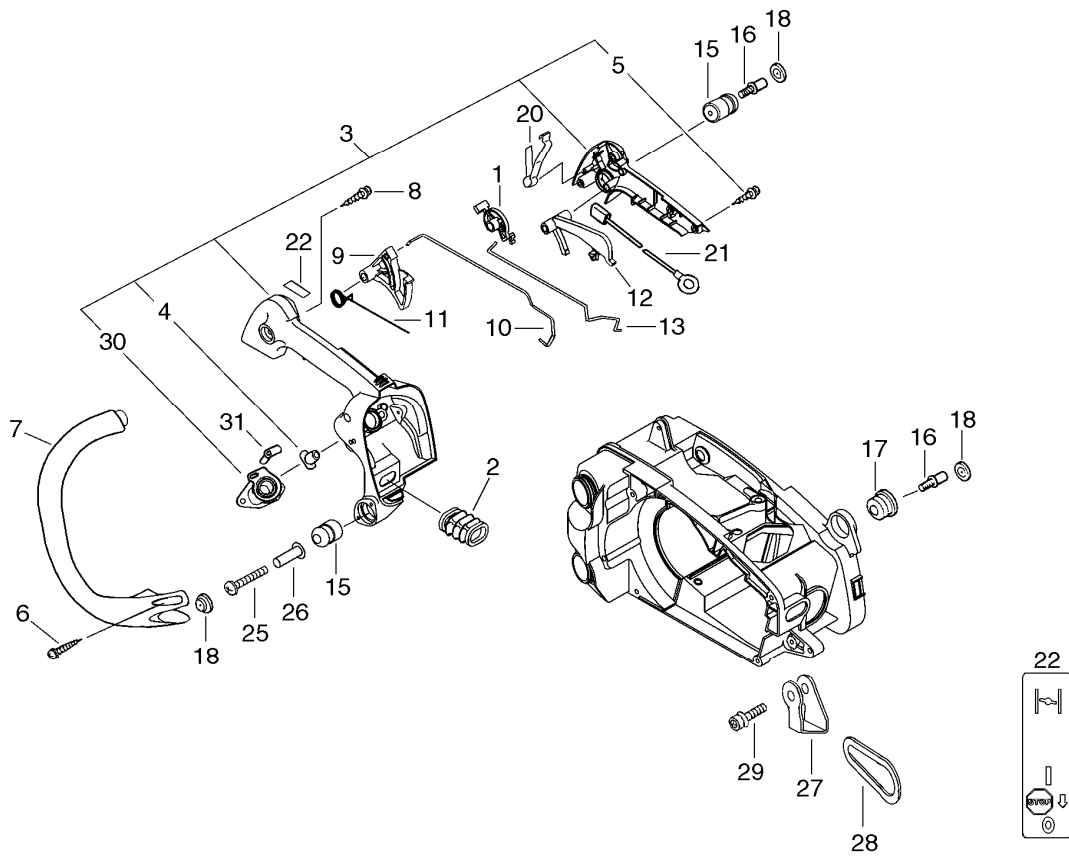
KEY	LV	PART NUMBER	Q'TY	DESCRIPTION	REMARKS	NOTE1	NOTE2
26		V186-000020	1	JOINT,PIPE			

## 5. HANDLE



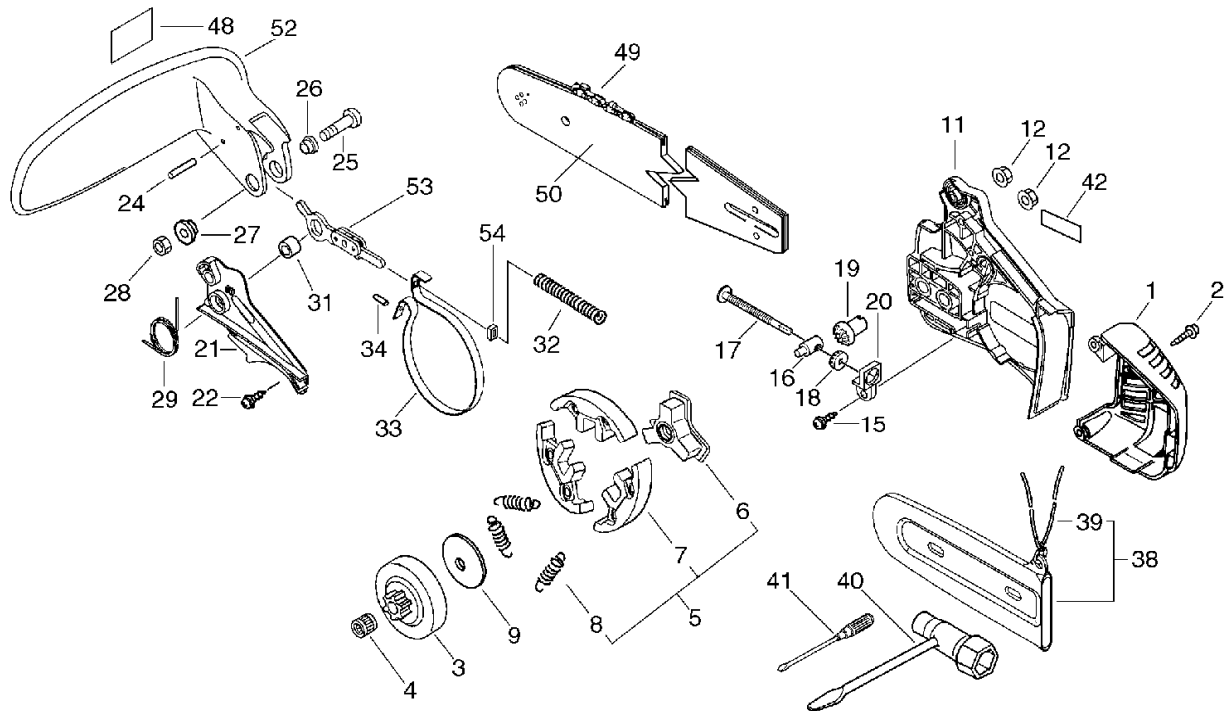
KEY	LV	PART NUMBER	Q'TY	DESCRIPTION	REMARKS	NOTE1	NOTE2
1		A253-000043	1	LEVER,CONTROL			
2		A239-000000	1	PIPE,INTAKE			
3		P021-011510	1	HANDLE, REAR			
30	+	A202-000033	1	BELLOWS,INTAKE			
4	+	130020-33330	2	NUT			
5	+	900256-04016	4	SCREW 4*16			
6		900256-04016	2	SCREW 4*16			
7		C400-000160	1	HANDLE,FRONT			
8		900253-05020	1	SCREW 5*20	5*20		
9		C450-000010	1	TRIGGER,THROTTLE			
10		C454-000070	1	ROD,THROTTLE			
11		V452-000010	1	SPRING,TORSION			
12		C460-000002	1	LOCKOUT,THROTTLE			
13		A240-000010	1	ROD,CHOKE			
15		V400-000021	2	CUSHION,4			
15		V400-000070	2	CUSHION,4			
16		V202-000000	2	BOLT,4			
17		100910-18830	1	CUSHION			
18		100918-15130	3	CAP			
20		V486-000010	1	TERMINAL,LEAD			
21		V485-000340	1	LEAD			
22		X524-000910	1	LABEL			
25		91481-04035	1	SCREW TAPPING			
26		V352-000020	1	COLLAR,4			
27		C626-000040	1	FIXTURE,HARNESS			
28		C646-000040	1	RING,HARNESS			

5. HANDLE



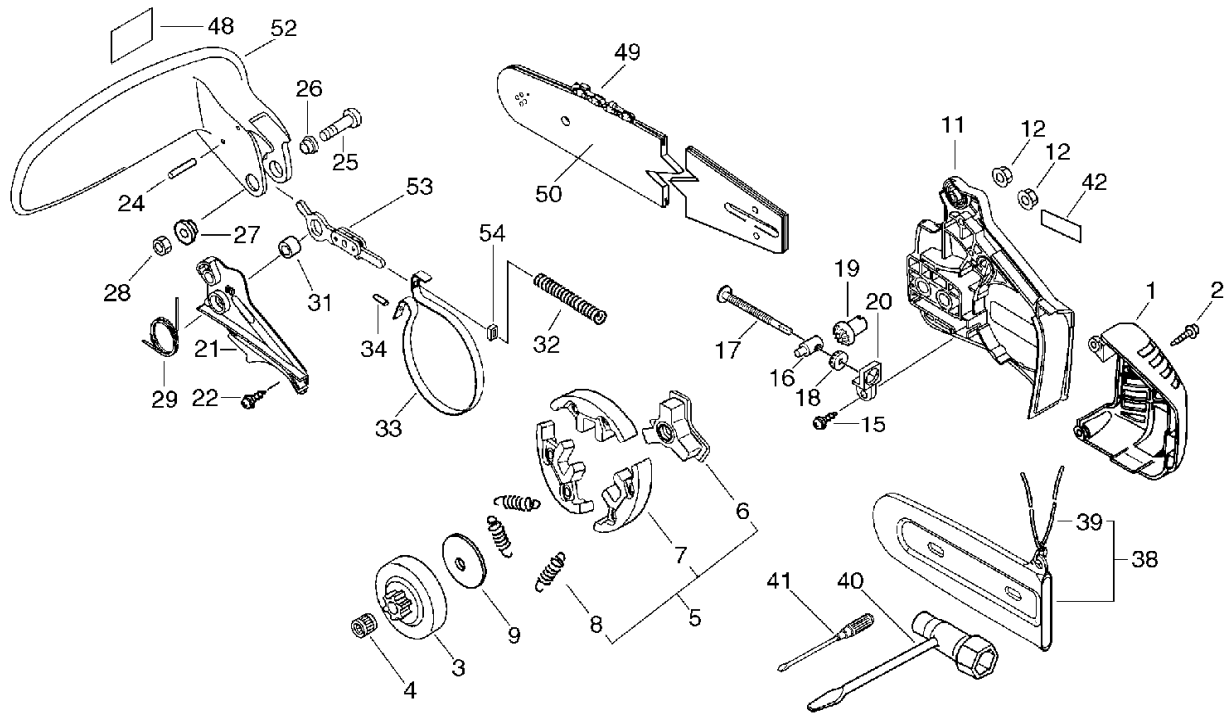
KEY	LV	PART NUMBER	Q'TY	DESCRIPTION	REMARKS	NOTE1	NOTE2
29		900162-04025	1	BOLT, H.S. 4*25	4*25 W,SW		
31		V351-000000	1	COLLAR,3	3.2*6.5		

## 6. CLUTCH, SPROCKET



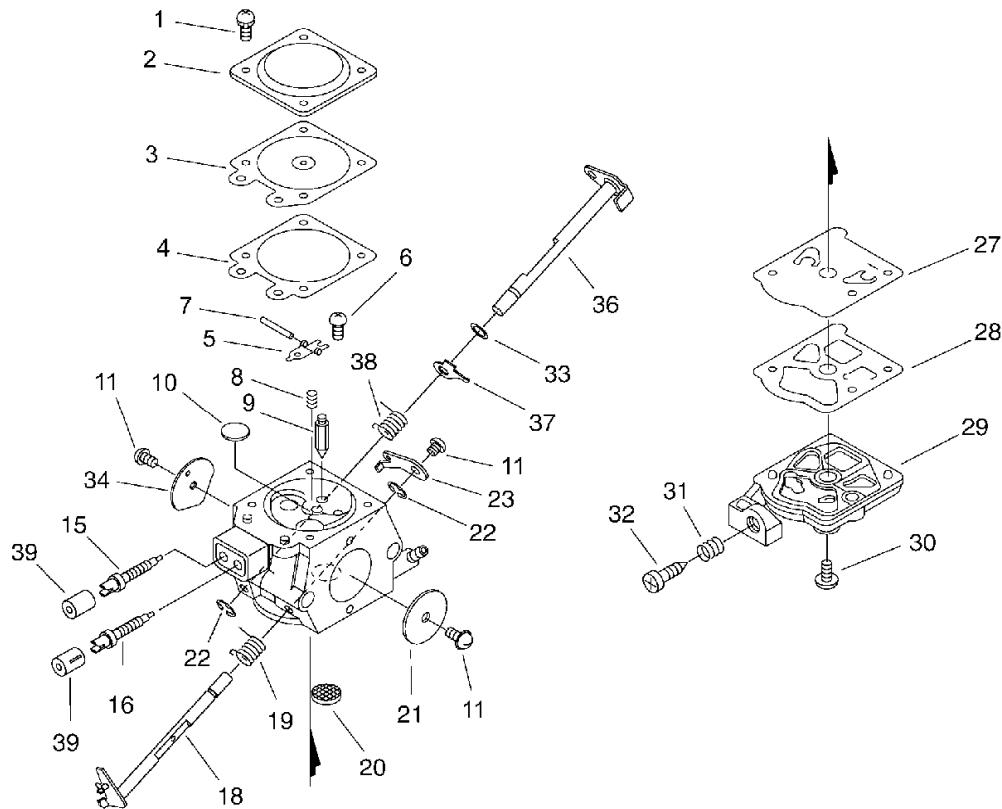
KEY	LV	PART NUMBER	Q'TY	DESCRIPTION	REMARKS	NOTE1	NOTE2
1		A320-000183	1	COVER,MUFFLER			
2		900253-04016	2	SCREW 4*16	4*16		
3		175005-39133	1	DRUM, CLUTCH			
4		175012-00831	1	BEARING, NEEDLE			
5		A056-000070	1	CLUTCH			
6	+	A552-000020	1	HUB,CLUTCH			
7	+	P021-005810	1	CLUTCH SHOE SET			
8	+	V451-000470	3	SPRING,TENSION			
9		A551-000010	1	PLATE,CLUTCH			
11		C300-000242	1	GUARD,SPROCKET			
12		433019-03933	2	NUT, FLANGE 6	6		
15		900253-04012	1	SCREW	4*12		
16		C309-000030	1	TENSIONER,CHAIN			
17		V203-000041	1	BOLT,5			
18		V651-000011	1	GEAR,BEVEL			
19		V651-000001	1	GEAR,BEVEL			
20		V355-000140	1	COLLAR,8			
21		C345-000084	1	COVER,BRAKE			
22		900253-04012	3	SCREW	4*12		
24		900330-30260	2	ROLLER 3*26	3*26		
25		91318-05032	1	SCREW	5*32		
26		433167-39130	1	SPACER			
27		V353-000060	1	COLLAR,5			
28		900562-50005	1	LOCKNUT 5	5		
29		V452-000110	1	SPRING,TORSION			
31		433116-35430	1	SPACER 8	8*12*9		

## 6. CLUTCH, SPROCKET



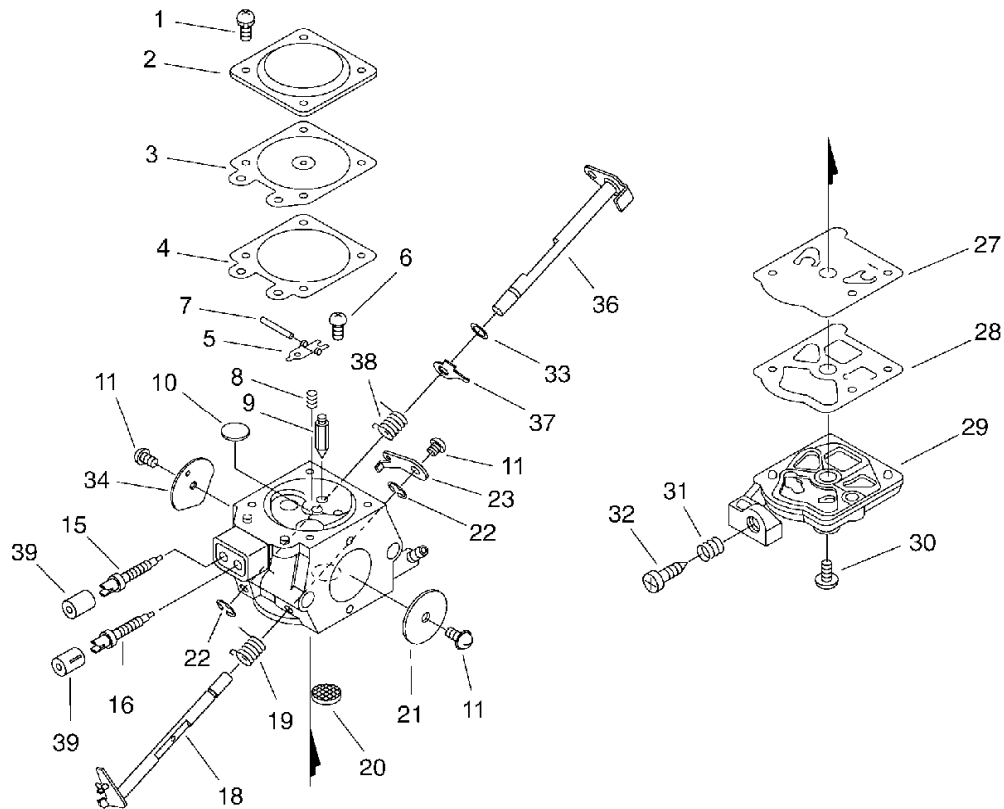
KEY	LV	PART NUMBER	Q'TY	DESCRIPTION	REMARKS	NOTE1	NOTE2
32		V450-000070	1	SPRING, COMPRESSION			
33		C328-000030	1	BAND, BRAKE			
34		93050-30098	1	ROLLER	F3*9.8		
38		P021-006951	1	SCABBARD, CHAIN	(ORANGE)		
39	+	898568-14530	1	ROPE	5*900		
40		895410-03930	1	WRENCH, W/S. DRIVER			
41		895812-03930	1	DRIVER, SCREW 50			
42		X502-000340	1	LABEL, ECHO	ECHO(WHITE)		
48		X505-002440	1	LABEL, CAUTION			
49		431010-39230	1	CHAIN, SAW 91VG-47E	91VG-47E 30C 30RC50M-3/8 ECHO		
50		X122-000071	1	BAR, GUIDE 30RC50M-3/8			
52		C320-000034	1	LEVER, BRAKE			
53		C334-000070	1	CONNECTOR, BRAKE			
54		V376-000450	1	SPACER			

## 7-1. CARBURETOR



KEY	LV	PART NUMBER	Q'TY	DESCRIPTION	REMARKS	NOTE1	NOTE2
		A021-000862	1	CARBURETOR,DIAPHRAGM	WT-698A		
1	+	123130-02960	4	SCREW			
2	+	123142-03930	1	COVER, M. DIAPHRAGM			
3	+	123141-03930	1	DIAPHRAGM, METERING			
4	+	123140-03930	1	GASKET, M. DIAPHRAGM			
5	+	123123-03930	1	LEVER, METERING			
6	+	123139-03930	1	SCREW, M. LEVER PIN			
7	+	123138-03930	1	PIN, METERING LEVER			
8	+	123122-39830	1	SPRING, METER. LEVER			
9	+	123137-19830	1	VALVE, INLET NEEDLE			
10	+	123146-10631	1	PLUG, WELCH			
11	+	123114-38830	3	SCREW			
15	+	123118-02261	1	NEEDLE			
16	+	123120-52131	1	NEEDLE, HIGH SPEED			
18	+	P003-000480	1	SHAFT, THROTTLE			
19	+	123113-37530	1	SPRING, THROTTLE RTN			
20	+	123126-10631	1	SCREEN, INLET			
21	+	123116-10530	1	VALVE, THROTTLE			
22	+	123127-15030	2	RING			
23	+	P003-000380	1	THROTTLE, LEVER			
27	+	123112-15030	1	DIAPHRAGM, FUEL PUMP			
28	+	123125-15030	1	GASKET, FUEL PUMP			
29	+	123124-24430	1	COVER, FUEL PUMP			
30	+	123110-03930	1	SCREW, PUMP COVER			
31	+	123133-04260	1	SPRING, IDLE ADJUST			
32	+	123134-04260	1	SCREW, IDLE ADJUST			

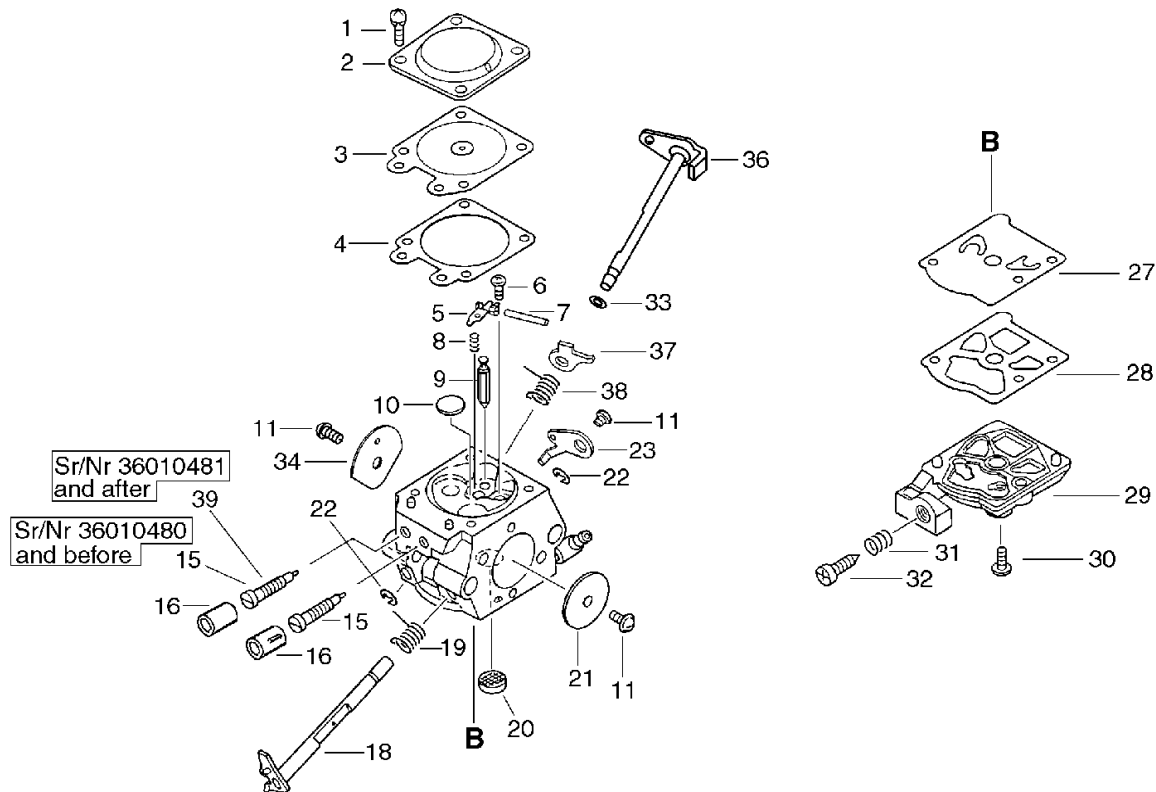
## 7-1. CARBURETOR



KEY	LV	PART NUMBER	Q'TY	DESCRIPTION	REMARKS	NOTE1	NOTE2
33	+	123149-26030	1	WASHER			
34	+	123132-35430	1	VALVE, CHOKE			
36	+	P003-001140	1	SHAFT, CHOKE			
37	+	P003-001480	1	LEVER-FAST IDLE			
37	+	P003-001510	1	LEVER-FAST IDLE			
38	+	P003-001470	1	SPRING			
39	+	P003-000010	2	LIMITER CAP			

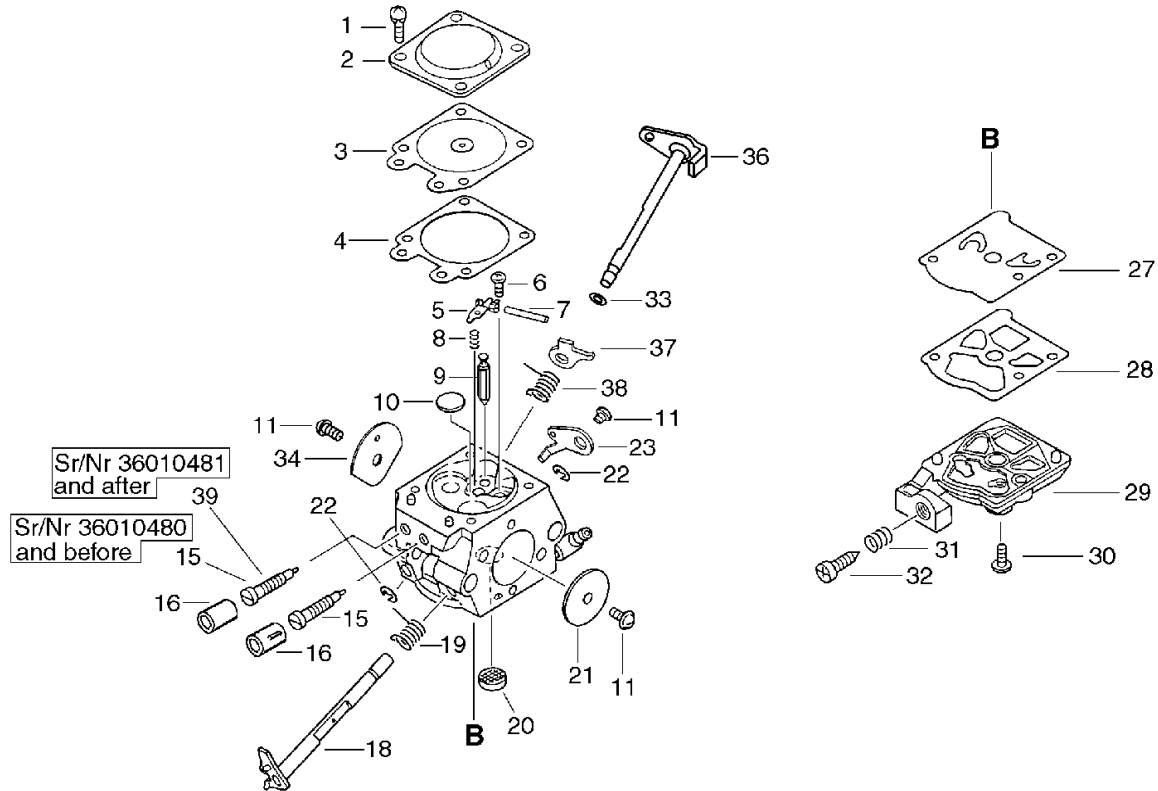


## 7-2. CARBURETOR



KEY	LV	PART NUMBER	Q'TY	DESCRIPTION	REMARKS	NOTE1	NOTE2
		A021-000863	1	CARBURETOR,DIAPHRAGM	WT-698B		
1	+	123130-02960	4	SCREW			
2	+	123142-03930	1	COVER, M. DIAPHRAGM			
3	+	P003-001850	1	DIAPHRAGM, METERING			
4	+	123140-03930	1	GASKET, M. DIAPHRAGM			
5	+	123123-03930	1	LEVER, METERING			
6	+	123139-03930	1	SCREW, M. LEVER PIN			
7	+	123138-03930	1	PIN, METERING LEVER			
8	+	123122-03660	1	SPRING, METER. LEVER			
8	+	123122-39830	1	SPRING, METER. LEVER			
9	+	123137-19830	1	VALVE, INLET NEEDLE			
10	+	123146-10631	1	PLUG, WELCH			
11	+	123114-38830	3	SCREW			
15	+	123118-02261	2	NEEDLE			
15	+	123118-02261	1	NEEDLE			
16	+	P003-000010	2	LIMITER CAP			
18	+	P003-000480	1	SHAFT,THROTTLE			
19	+	123113-37530	1	SPRING, THROTTLE RTN			
20	+	123126-10631	1	SCREEN, INLET			
21	+	123116-10530	1	VALVE, THROTTLE			
22	+	123127-15030	2	RING			
23	+	P003-000380	1	THROTTLE, LEVER			
27	+	123112-15030	1	DIAPHRAGM, FUEL PUMP			
28	+	123125-15030	1	GASKET, FUEL PUMP			
29	+	123124-24430	1	COVER, FUEL PUMP			
30	+	123110-03930	1	SCREW, PUMP COVER			

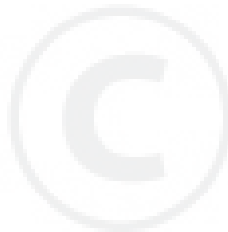
7-2. CARBURETOR



KEY	LV	PART NUMBER	Q'TY	DESCRIPTION	REMARKS	NOTE1	NOTE2
31	+	123133-04260	1	SPRING, IDLE ADJUST			
32	+	123134-04260	1	SCREW, IDLE ADJUST			
33	+	123149-26030	1	WASHER			
34	+	123132-35430	1	VALVE, CHOKE			
36	+	P003-001140	1	SHAFT, CHOKE			
37	+	P003-000160	1	LEVER-FAST IDLE			
37	+	P003-001480	1	LEVER-FAST IDLE			
37	+	P003-001510	1	LEVER-FAST IDLE			
38	+	P003-000140	1	SPRING			
38	+	P003-001470	1	SPRING			
39	+	123120-52131	1	NEEDLE, HIGH SPEED			

**8. CHAIN BRAKE ASSEMBLY**

KEY	LV	PART NUMBER	Q'TY	DESCRIPTION	REMARKS	NOTE1	NOTE2
		C032-000206	1	BRAKE,ASM CHAIN			



**Index**

<b>Patrs Number</b>	<b>Key No.</b>	<b>Patrs Number</b>	<b>Key No.</b>	<b>Patrs Number</b>	<b>Key No.</b>
100013-15330	1 - 5	123138-03930	## - 7	900238-05022	3 - 9
100013-15330	1 - 5	123139-03930	## - 6	900238-05050	2 - 10
100014-60930	1 - 7	123139-03930	## - 6	900250-04008	2 - 7
100014-60930	1 - 7	123140-03930	## - 4	900253-04010	1 - 18
100015-04630	1 - 6	123140-03930	## - 4	900253-04010	1 - 18
100015-04630	1 - 6	123141-03930	## - 3	900253-04012	1 - 21
100142-12330	1 - 30	123142-03930	## - 2	900253-04012	1 - 21
100142-12330	1 - 30	123142-03930	## - 2	900253-04012	6 - 15
100910-18830	5 - 17	123146-10631	## - 10	900253-04012	6 - 22
100918-15130	5 - 18	123146-10631	## - 10	900253-04016	6 - 2
123110-03930	## - 30	123149-26030	## - 33	900253-05020	1 - 26
123110-03930	## - 30	123149-26030	## - 33	900253-05020	1 - 28
123112-15030	## - 27	130020-33330	5 - 4	900253-05020	1 - 26
123112-15030	## - 27	131205-14930	4 - 19	900253-05020	1 - 28
123113-37530	## - 19	131300-56430	4 - 21	900253-05020	5 - 8
123113-37530	## - 19	132013-09820	4 - 18	900256-04016	3 - 30
123114-38830	## - 11	132013-26630	4 - 12	900256-04016	5 - 5
123114-38830	## - 11	132115-01461	4 - 13	900256-04016	5 - 6
123116-10530	## - 21	145510-13931	2 - 4	900330-30260	6 - 24
123116-10530	## - 21	150117-16430	3 - 10	900515-00008	3 - 2
123118-02261	## - 15	156110-04920	3 - 13	900562-50005	6 - 28
123118-02261	## - 15	159010-10230	3 - 14	900603-00005	3 - 6
123118-02261	## - 15	162010-55930	3 - 11	900720-00018	4 - 6
123120-52131	## - 16	163911-30130	1 - 22	900720-00018	4 - 6
123120-52131	## - 39	163911-30130	1 - 22	900724-00004	1 - 25
123122-03660	## - 8	175005-39133	6 - 3	900724-00004	1 - 25
123122-39830	## - 8	175012-00831	6 - 4	91107-05040	2 - 6
123122-39830	## - 8	177234-35430	3 - 3	91318-05032	6 - 25
123123-03930	## - 5	177236-61830	3 - 29	91420-05012	1 - 34
123123-03930	## - 5	177247-04630	3 - 5	91420-05012	1 - 34
123124-24430	## - 29	431010-39230	6 - 49	91481-04035	5 - 25
123124-24430	## - 29	433019-03933	6 - 12	93050-30098	6 - 34
123125-15030	## - 28	433026-35430	1 - 36	94035-36201	1 - 10
123125-15030	## - 28	433026-35430	1 - 36	94035-36201	1 - 10
123126-10631	## - 20	433116-35430	6 - 31	A021-000862	2 - 8
123126-10631	## - 20	433167-39130	6 - 26	A021-000862	## -
123127-15030	## - 22	436114-13930	4 - 9	A021-000863	2 - 8
123127-15030	## - 22	436205-02832	4 - 10	A021-000863	## -
123130-02960	## - 1	895410-03930	6 - 40	A051-000792	3 - 20
123130-02960	## - 1	895812-03930	6 - 41	A056-000070	6 - 5
123132-35430	## - 34	898568-14530	6 - 39	A101-000120	1 - 4
123132-35430	## - 34	900106-05020	1 - 19	A101-000120	1 - 4
123133-04260	## - 31	900106-05020	1 - 19	A127-000050	1 - 20
123133-04260	## - 31	900106-05030	1 - 24	A127-000050	1 - 20
123134-04260	## - 32	900106-05030	1 - 24	A172-000501	3 - 18
123134-04260	## - 32	900162-04025	5 - 29	A202-000033	5 - 30
123137-19830	## - 9	900162-05025	1 - 2	A204-000041	2 - 9
123137-19830	## - 9	900162-05025	1 - 2	A226-000180	2 - 12
123138-03930	## - 7	900238-04012	4 - 4	A232-000160	2 - 13

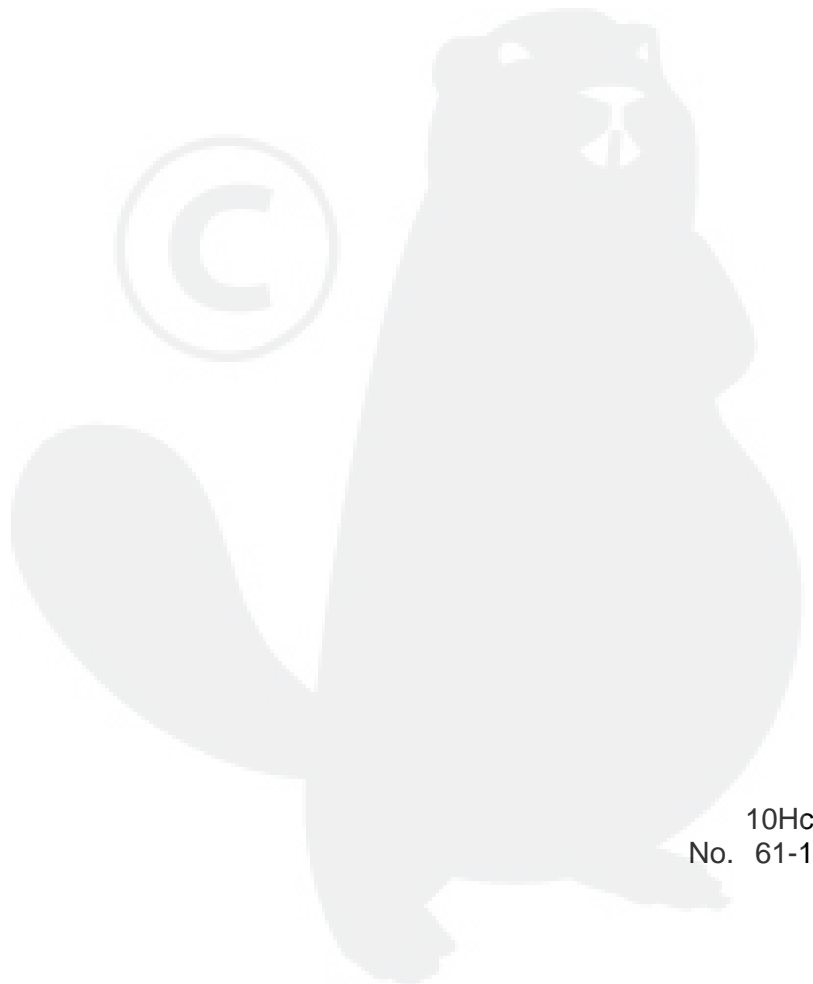
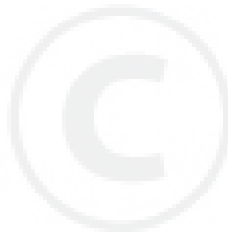
**Index**

<b>Patrs Number</b>	<b>Key No.</b>	<b>Patrs Number</b>	<b>Key No.</b>	<b>Patrs Number</b>	<b>Key No.</b>
A235-000040	2 - 14	P003-001480	## - 37	V470-000481	1 - 35
A239-000000	5 - 2	P003-001480	## - 37	V470-000481	1 - 35
A240-000010	5 - 13	P003-001510	## - 37	V471-000740	4 - 11
A253-000043	5 - 1	P003-001510	## - 37	V471-000750	4 - 16
A300-000370	2 - 2	P003-001850	## - 3	V471-000760	4 - 14
A301-000000	2 - 5	P021-001980	4 - 1	V475-002390	3 - 17
A303-000041	2 - 3	P021-005581	4 - 8	V485-000140	3 - 12
A320-000183	6 - 1	P021-005591	4 - 5	V485-000340	5 - 21
A365-000050	4 - 7	P021-005810	6 - 7	V486-000010	5 - 20
A365-000050	4 - 7	P021-006951	6 - 38	V505-000010	1 - 11
A409-000170	3 - 1	P021-008676	1 - 23	V505-000010	1 - 11
A411-000150	3 - 8	P021-008676	1 - 23	V505-000011	1 - 11
A426-000010	3 - 15	P021-009230	1 - 3	V505-000011	1 - 11
A427-000013	3 - 16	P021-009230	1 - 3	V553-000040	1 - 8
A506-000030	3 - 26	P021-009250	1 - 1	V553-000040	1 - 8
A507-000021	3 - 28	P021-009250	1 - 1	V651-000001	6 - 19
A514-000020	3 - 4	P021-009930	2 - 1	V651-000011	6 - 18
A551-000010	6 - 9	P021-010701	1 - 9	V652-000030	4 - 3
A552-000020	6 - 6	P021-010701	1 - 9	X122-000071	6 - 50
C022-000020	4 - 2	P021-011510	5 - 3	X502-000101	3 - 31
C032-000206	8 -	P022-001330	3 - 24	X502-000340	6 - 42
C300-000242	6 - 11	P022-005890	3 - 23	X503-006190	2 - 15
C304-000000	1 - 27	P022-008440	3 - 25	X505-000180	3 - 32
C304-000000	1 - 27	P022-008771	3 - 21	X505-002440	6 - 48
C305-000080	1 - 15	V137-000000	4 - 22	X524-000910	5 - 22
C305-000080	1 - 15	V137-000020	4 - 20		
C309-000030	6 - 16	V186-000020	4 - 26		
C320-000034	6 - 52	V202-000000	5 - 16		
C328-000030	6 - 33	V203-000041	6 - 17		
C334-000070	6 - 53	V203-000080	3 - 7		
C345-000084	6 - 21	V224-000031	1 - 17		
C400-000160	5 - 7	V224-000031	1 - 17		
C450-000010	5 - 9	V308-000030	4 - 27		
C454-000070	5 - 10	V351-000000	5 - 31		
C460-000002	5 - 12	V352-000020	5 - 26		
C626-000040	5 - 27	V353-000060	6 - 27		
C646-000040	5 - 28	V355-000140	6 - 20		
P003-000010	## - 39	V356-000290	4 - 28		
P003-000010	## - 16	V359-000060	1 - 32		
P003-000140	## - 38	V359-000060	1 - 32		
P003-000160	## - 37	V376-000450	6 - 54		
P003-000380	## - 23	V400-000021	5 - 15		
P003-000380	## - 23	V400-000070	5 - 15		
P003-000480	## - 18	V450-000070	6 - 32		
P003-000480	## - 18	V451-000470	6 - 8		
P003-001140	## - 36	V452-000010	5 - 11		
P003-001140	## - 36	V452-000110	6 - 29		
P003-001470	## - 38	V452-000220	3 - 27		
P003-001470	## - 38	V470-000320	4 - 17		

# YAMABIKO CORPORATION

7-2 SUEHIROCHO 1-CHOME, OHME, TOKYO 198-8760, JAPAN  
PHONE: 81-428-32-6118. FAX: 81-428-32-6145.

**ECHO**®



10Hc  
No. 61-108