



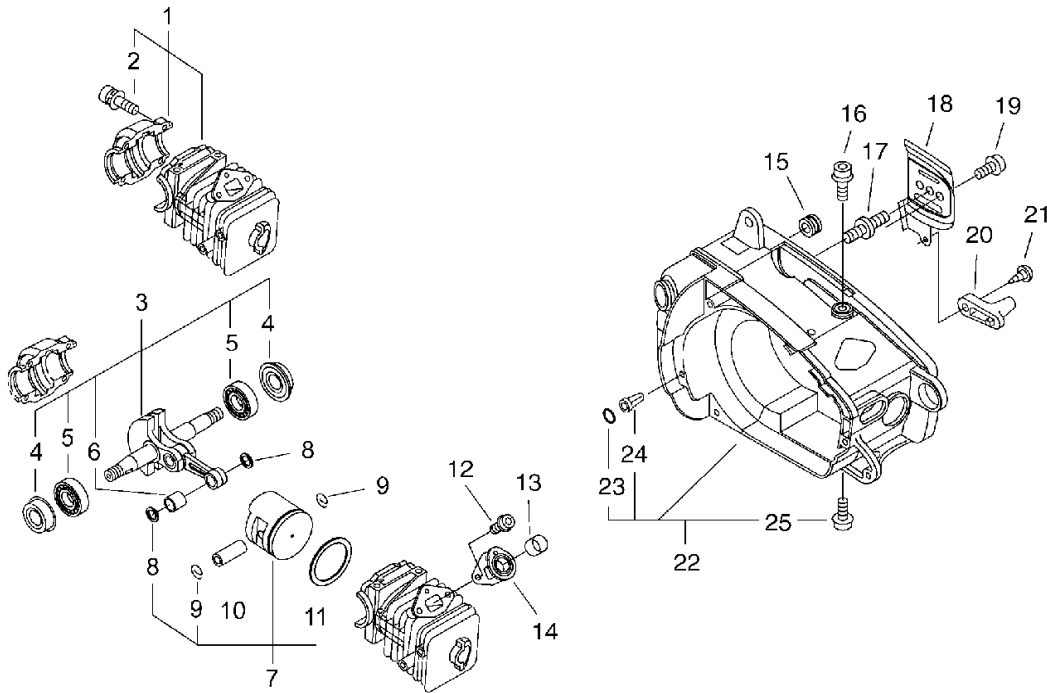
PARTS CATALOG

CHAIN SAW CS-270WES(36)

36006131 -

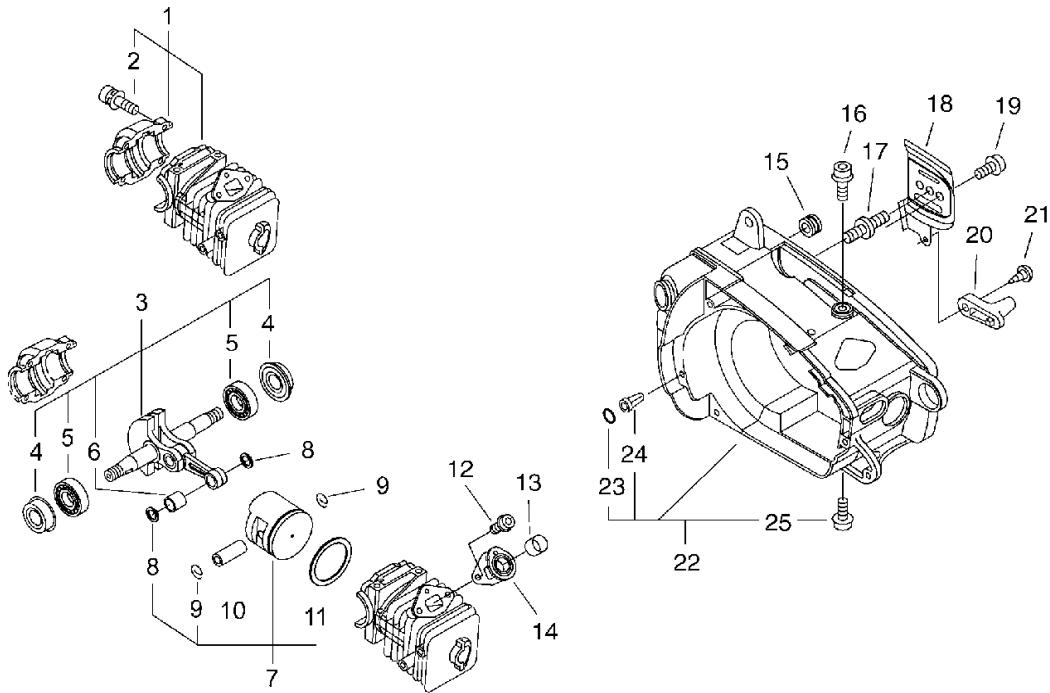
P014-000450-10Hb

1. CYLINDER, CRANKCASE, PISTON



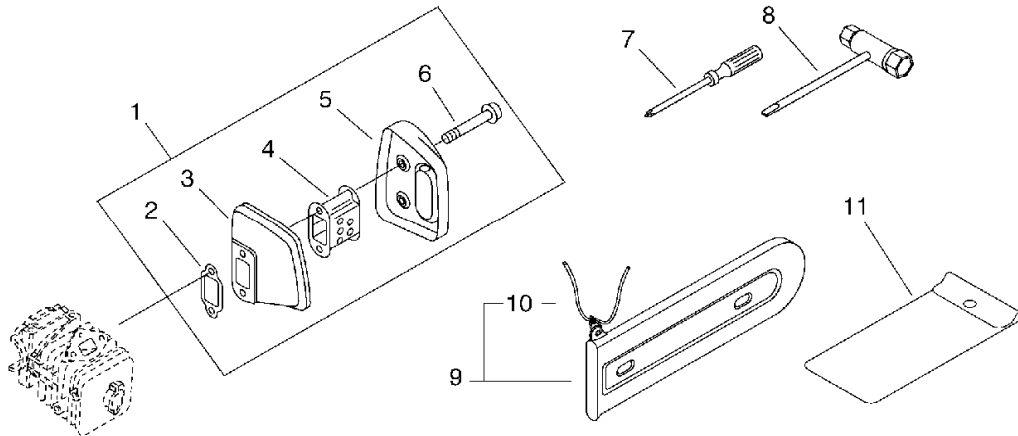
KEY	LV	PART NUMBER	Q'TY	DESCRIPTION	REMARKS	NOTE1	NOTE2
1		P021-011230	1	CRANKCASE SET			
2	+	900162-05022	4	BOLT, H.S. 5*22	5*22 W,SW		
3		P021-011220	1	CRANKSHAFT ASY			
4	+	V505-000000	2	SEAL,OIL	12*28*5.5		
5	+	900800-36001	2	BEARING, BALL 6001	6001/C3		
6	+	V553-000020	1	BEARING,NEEDLE 8	KBK8X11X8.8X4		
7		P021-002150	1	PISTON KIT			
8	+	100014-55930	2	SPACER, PISTON PIN			
9	+	100015-04630	2	CIRCLIP, PISTON PIN			
10	+	100013-22330	1	PIN, PISTON			
11	+	100011-05731	1	RING, PISTON			
12		900162-04012	2	BOLT, H.S. 4*12	4*12 W,SW		
13		V358-000020	1	COLLAR,14			
13		V358-000021	1	COLLAR,14			
14		A202-000001	1	BELLOWS,INTAKE			
15		163911-30130	1	PLUG			
16		900106-05016	2	BOLT, H.S. 5*16	5*16		
17		V225-000030	1	BOLT,STUD 8			
18		C305-000022	1	PLATE,SPROCKET GUARD			
19		V202-000011	2	BOLT,4	4*12		
20		433026-35430	1	CATCHER, CHAIN			
21		900253-05020	1	SCREW 5*20	5*20		
22		P021-003436	1	COVER ENGINE			
22		P021-003437	1	COVER ENGINE			
23	+	900724-00004	1	O-RING (S-4)	S-4		

1. CYLINDER, CRANKCASE, PISTON



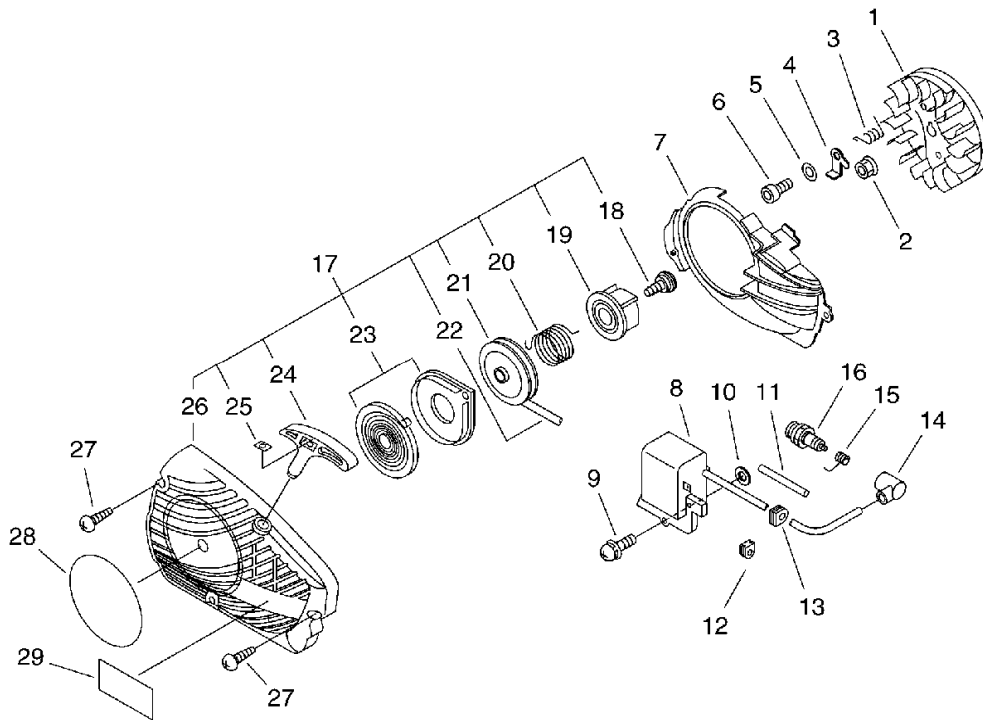
KEY	LV	PART NUMBER	Q'TY	DESCRIPTION	REMARKS	NOTE1	NOTE2
24	+	436114-13930	1	VALVE, CHECK			
25	+	900106-05025	2	BOLT, H.S. 5*25	5*25		

2. MUFFLER, TOOLS



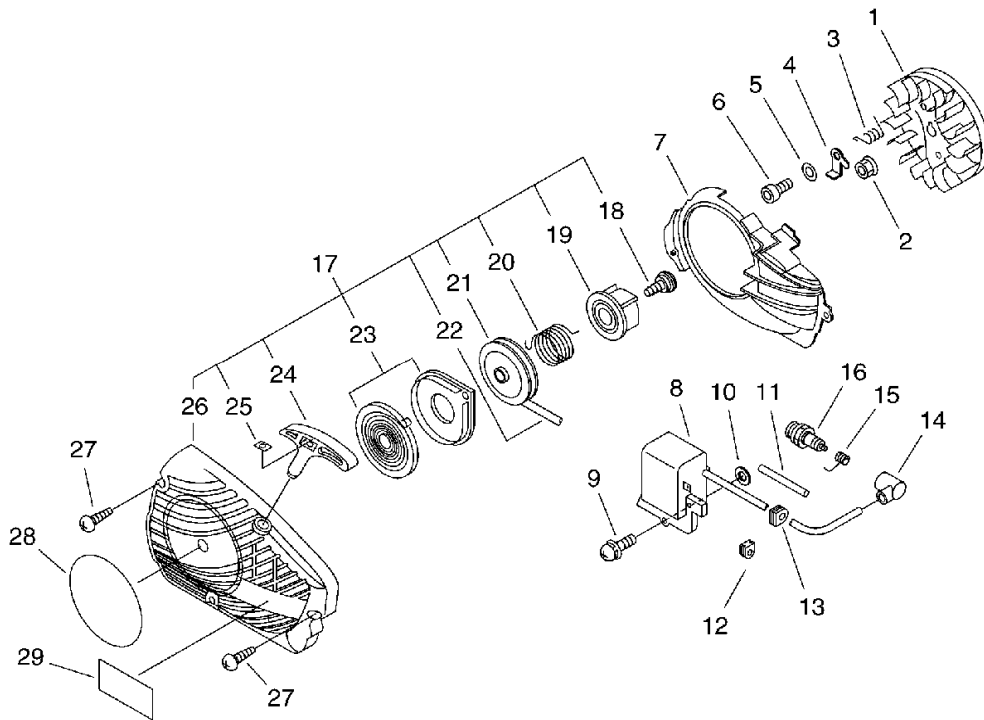
KEY	LV	PART NUMBER	Q'TY	DESCRIPTION	REMARKS	NOTE1	NOTE2
1		P021-001930	1	MUFFLER ASY			
2	+	145510-13931	1	GASKET, MUFFLER			
3	+	A300-000130	1	MUFFLER, EXHAUST			
4	+	A301-000000	1	PLATE, MUFFLER			
5	+	A303-000000	1	LID, MUFFLER			
6	+	91107-05040	2	BOLT HSH FLANGE	5*40		
7		895812-03930	1	DRIVER, SCREW 50			
8		895410-02830	1	WRENCH, W/S. DRIVER			
9		P021-006951	1	SCABBARD, CHAIN	(ORANGE)		
10	+	898568-14530	1	ROPE	5*900		
11		898510-07130	1	BAG, TOOL			

3. STARTER, MAGNETO



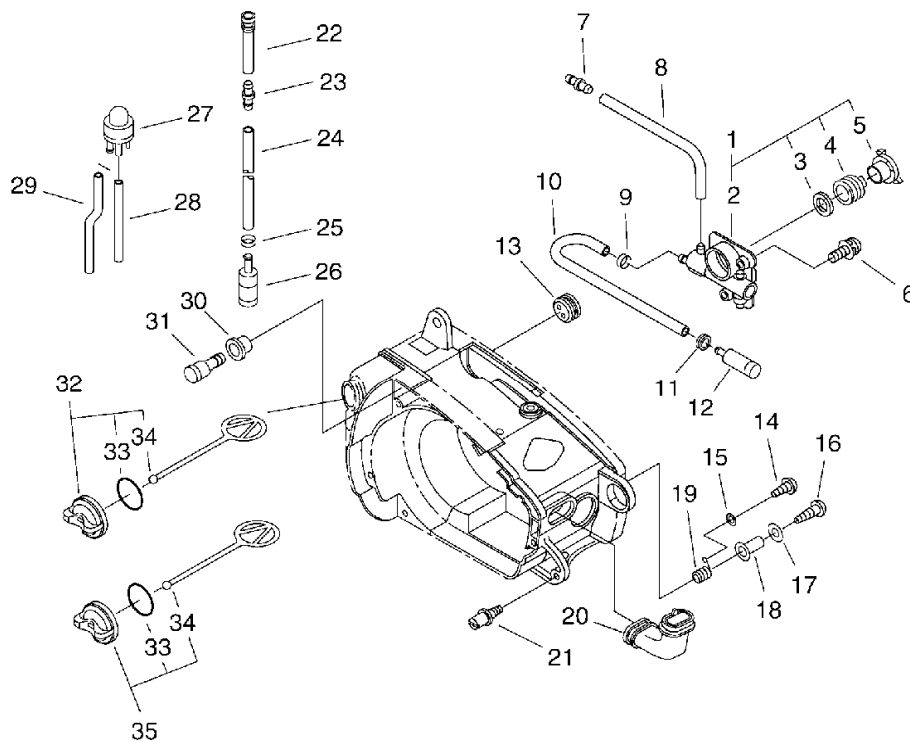
KEY	LV	PART NUMBER	Q'TY	DESCRIPTION	REMARKS	NOTE1	NOTE2
1		A409-000040	1	ROTOR,MAGNETO			
2		900515-00008	1	NUT, FLANGE 8	8		
3		V452-000030	2	SPRING,TORSION			
4		A514-000020	2	PAWL			
5		900603-00005	2	WASHER 5	5.5*12*0.8		
6		V203-000100	2	BOLT,5	M5*16		
7		A172-000112	1	COVER,FAN			
8		A411-000340	1	COIL, IGNITION	ID#10475		
9		900238-05022	2	SCREW 5*22	5*22		
10		150117-16430	2	SPACER			
11		V475-001900	1	TUBE	7*8.6*30		
12		156114-07320	1	GROMMET			
13		156110-04920	1	BUSHING			
14		A427-000000	1	CAP,SPARK PLUG			
15		A426-000000	1	TERMINAL,SPARKPLUG			
16		159010-10230	1	PLUG, SPARK (BPMR-7A)	BPMR-7A		
17		A051-000635	1	STARTER,RECOIL			
18	+	177236-61830	1	SCREW			
19	+	A507-000021	1	CATCHER,PAWL			
20	+	V452-000150	1	SPRING,TORSION			
21	+	A506-000030	1	REEL,ROPE			
21	+	A506-000080	1	REEL,ROPE			
22	+	P022-006220	1	ROPE			
23	+	P022-001330	1	SPRING KIT, REWIND			
24	+	P022-001320	1	GRIP, STARTER			
25	+	177246-11120	1	CLIP, STARTER ROPE			

3. STARTER, MAGNETO



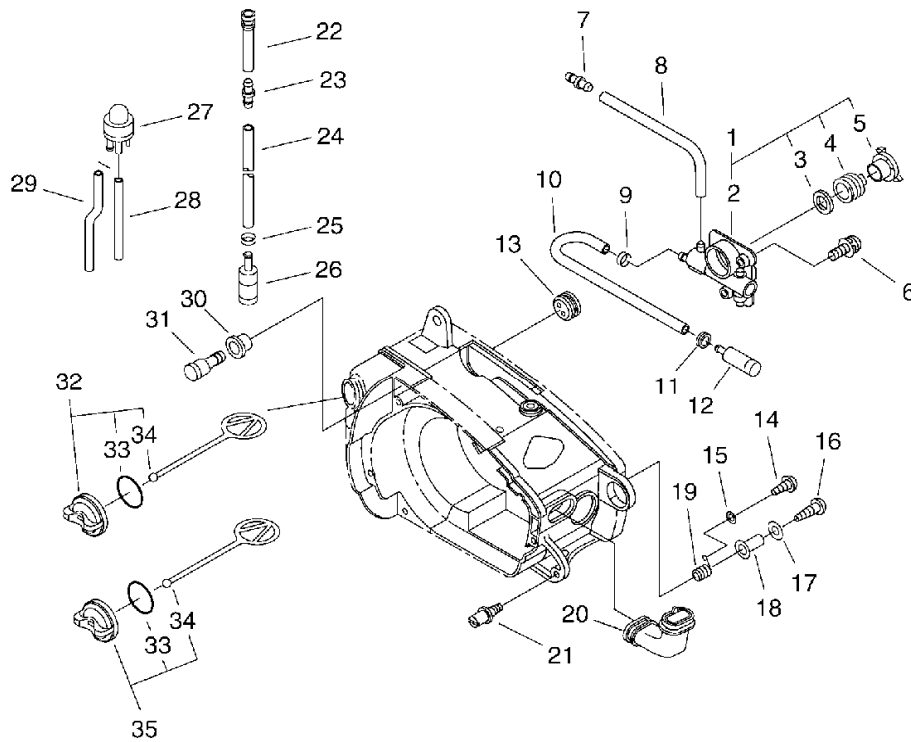
KEY	LV	PART NUMBER	Q'TY	DESCRIPTION	REMARKS	NOTE1	NOTE2
26	+	A500-000184	1	CASE,STARTER			
27		900256-04016	3	SCREW 4*16			
28		X502-000350	1	LABEL,ECHO	56.5ES-START		
29		X503-007640	1	LABEL,MODEL	CS-270WES		

4. AUTO-OILER



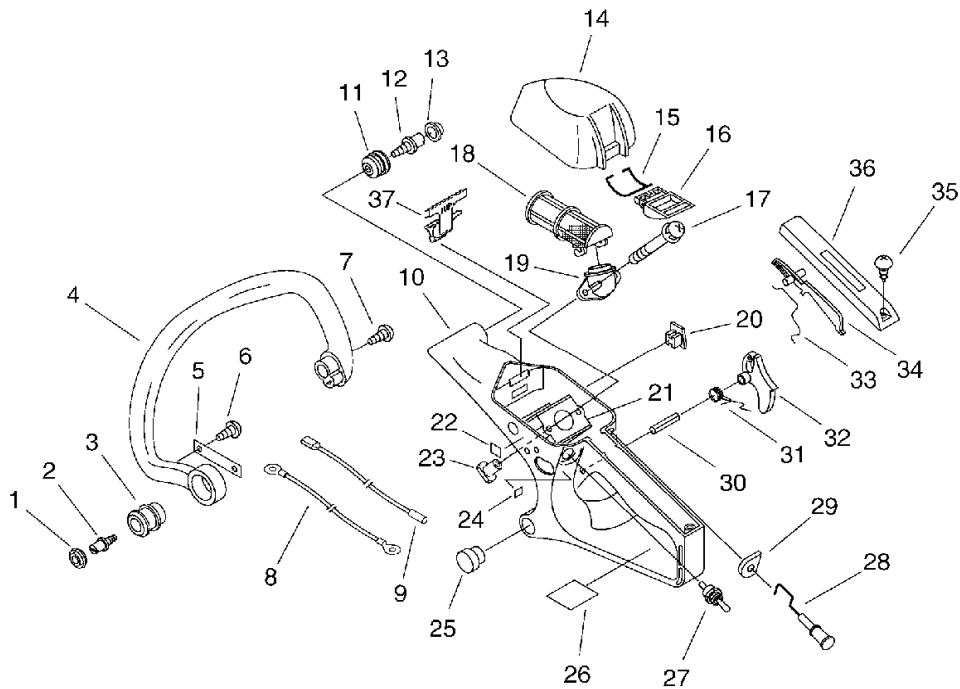
KEY	LV	PART NUMBER	Q'TY	DESCRIPTION	REMARKS	NOTE1	NOTE2
1		P021-010890	1	AUTO-OILER ASY			
2	+	C022-000020	1	AUTO-OILER ASSEMBLY			
3	+	V308-000030	1	WASHER,CIRCULAR 11	10.5*17.4*1.8		
4	+	V652-000030	1	GEAR,WORM			
5	+	V356-000290	1	COLLAR,10			
6		900238-04012	2	SCREW 4*12	4*12		
7		V187-000010	1	NIPPLE			
8		132012-11960	1	PIPE 3* 6* 45	3*6*45 NBR		
9		132013-26630	1	CLIP	6.5MM		
10		132010-22130	1	PIPE, FUEL	3*6*150L NBR		
11		132115-01461	1	GROMMET			
12		436205-02832	1	STRAINER, OIL			
13		132115-44330	1	GROMMET			
14		900253-04012	1	SCREW	4*12		
15		900602-00004	1	WASHER 4	4.3*9*0.8		
16		91481-04035	1	SCREW TAPPING			
17		177214-04630	1	WASHER	4.1*15.5*1T		
18		V352-000020	1	COLLAR,4			
19		V450-000080	1	SPRING,COMPRESSION			
20		A239-000030	1	PIPE,INTAKE	L TYPE		
21		V202-000020	1	BOLT,4			
22		V470-000320	1	PIPE			
23		V186-000020	1	JOINT,PIPE			
24		V471-001230	1	PIPE	3*5*210 NBR		
25		132013-09820	1	CLIP	6MM		

4. AUTO-OILER



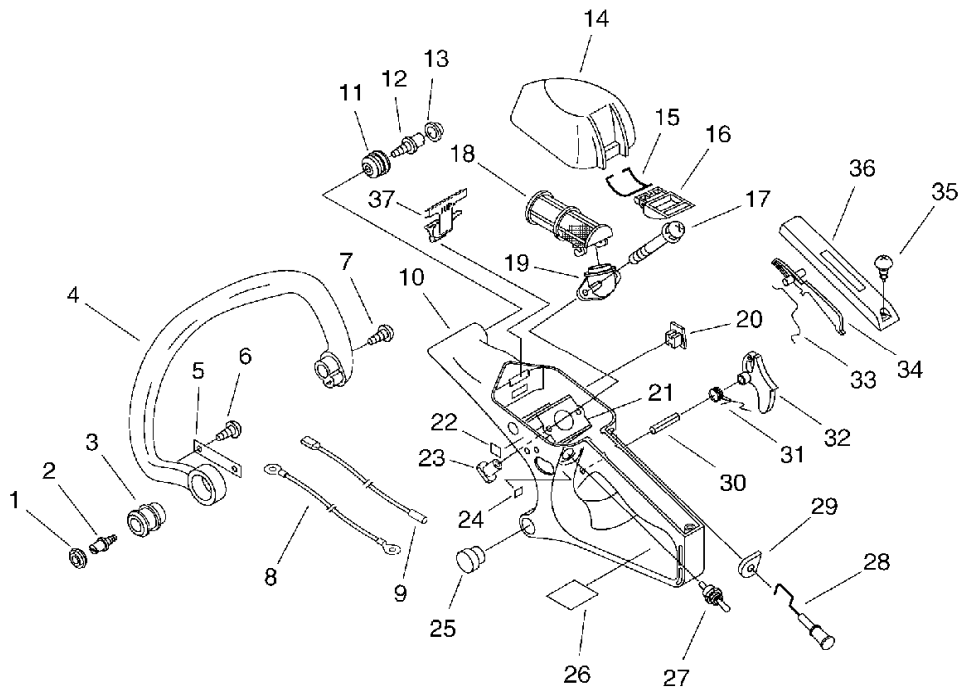
KEY	LV	PART NUMBER	Q'TY	DESCRIPTION	REMARKS	NOTE1	NOTE2
26		131205-14930	1	STRAINER,FUEL			
27		123181-39130	1	PUMP, PRIMER			
28		V471-001280	1	PIPE	2.4*5*105		
29		V471-001270	1	PIPE	2.4*5*275		
30		V137-000000	1	GROMMET,FUEL			
31		131300-56430	1	VALVE, CHECK			
32		P021-005591	1	CAP ASY			
33	+	900720-00018	1	O-RING 18	P-18		
34	+	A365-000050	1	CONNECTOR,CAP			
35		P021-005581	1	OIL CAP ASY			
33	+	900720-00018	1	O-RING 18	P-18		
34	+	A365-000050	1	CONNECTOR,CAP			

5. HANDLE



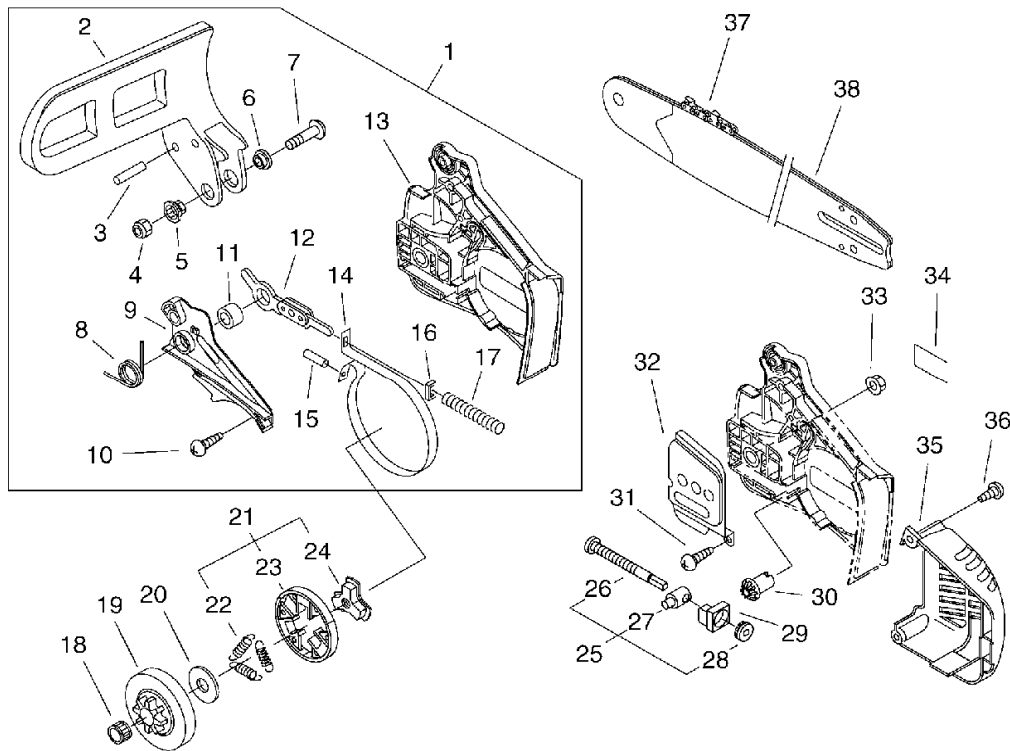
KEY	LV	PART NUMBER	Q'TY	DESCRIPTION	REMARKS	NOTE1	NOTE2
1		100918-19830	1	CAP, CUSHION			
2		100915-33930	1	SCREW			
3		100910-60030	1	CUSHION			
4		C400-000200	1	HANDLE,FRONT			
5		C617-000200	1	STOPPER			
6		900253-04008	1	SCREW 4*8	4*8		
7		900253-05020	2	SCREW 5*20	5*20		
8		V485-000380	1	LEAD			
9		V485-000390	1	LEAD	JIS LA105,10.2		
10		C410-000155	1	HANDLE,REAR			
11		100921-39131	1	CUSHION			
12		V202-000020	1	BOLT,4			
13		100918-15130	1	CAP			
14		A232-000191	1	LID,CLEANER			
15		V582-000020	1	RING,SNAP	CSE2700		
16		A235-000140	1	KNOB,CLEANER LID			
17		900238-05050	2	SCREW 5*50	5*50		
18		A226-000200	1	ELEMENT,AIR FILTER			
19		A204-000060	1	ELBOW,CARBURETOR			
20		V141-000050	1	GROMMET,PLUG			
21		A021-001420	1	CARBURETOR,DIAPHRAGM	WT-845		
21		A021-001421	1	CARBURETOR,DIAPHRAGM	WT-845		
22		890631-38230	1	LABEL, CAUTION			
23		130020-33330	2	NUT			
24		890157-39130	1	LABEL, SWITCH			

5. HANDLE



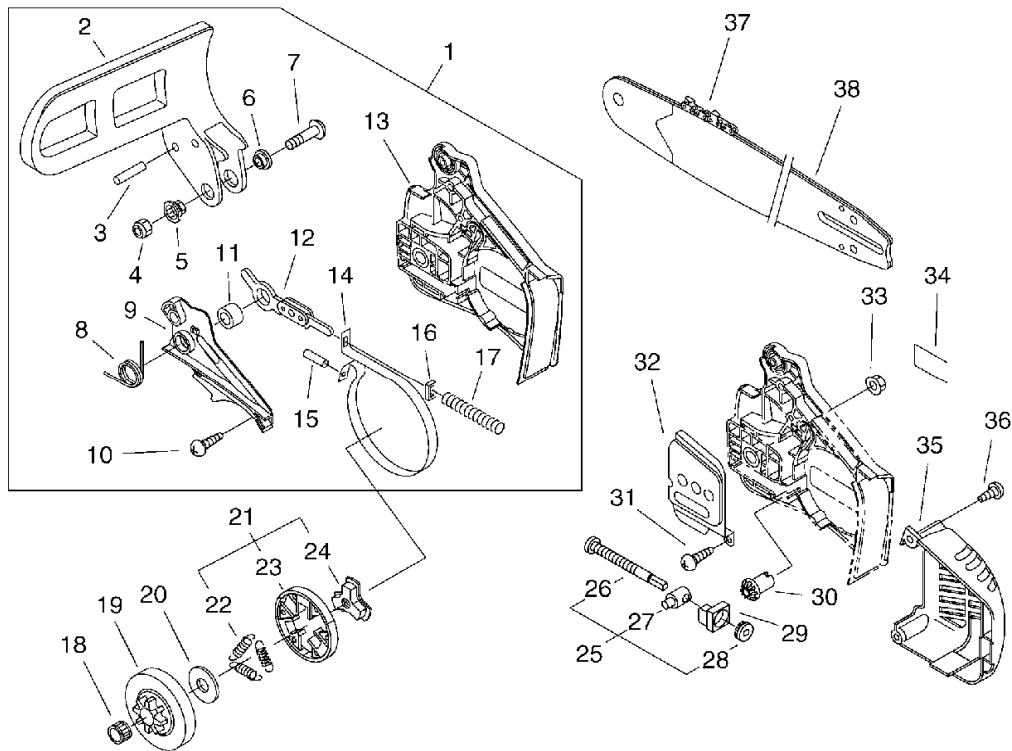
KEY	LV	PART NUMBER	Q'TY	DESCRIPTION	REMARKS	NOTE1	NOTE2
25		V420-000930	1	CUSHION			
26		890345-39230	1	LABEL,CAUTION			
27		A440-000430	1	SWITCH,ON OFF			
28		A241-000060	1	KNOB,CHOKE			
29		V130-000000	1	GROMMET,CHOKE			
30		900345-40025	1	PIN, SPRING 4*25SUS	4*25SUS		
31		V452-000260	1	SPRING,TORSION			
32		C450-000141	1	TRIGGER,THROTTLE			
33		C454-000080	1	ROD,THROTTLE			
34		178090-37930	1	LOCKOUT, T. CONTROL			
35		900253-04012	1	SCREW	4*12		
36		C411-000001	1	LID,HANDLE			
37		V142-000030	1	GROMMET,DUST			

6. CLUTCH, SPROCKET, CHAIN BRAKE



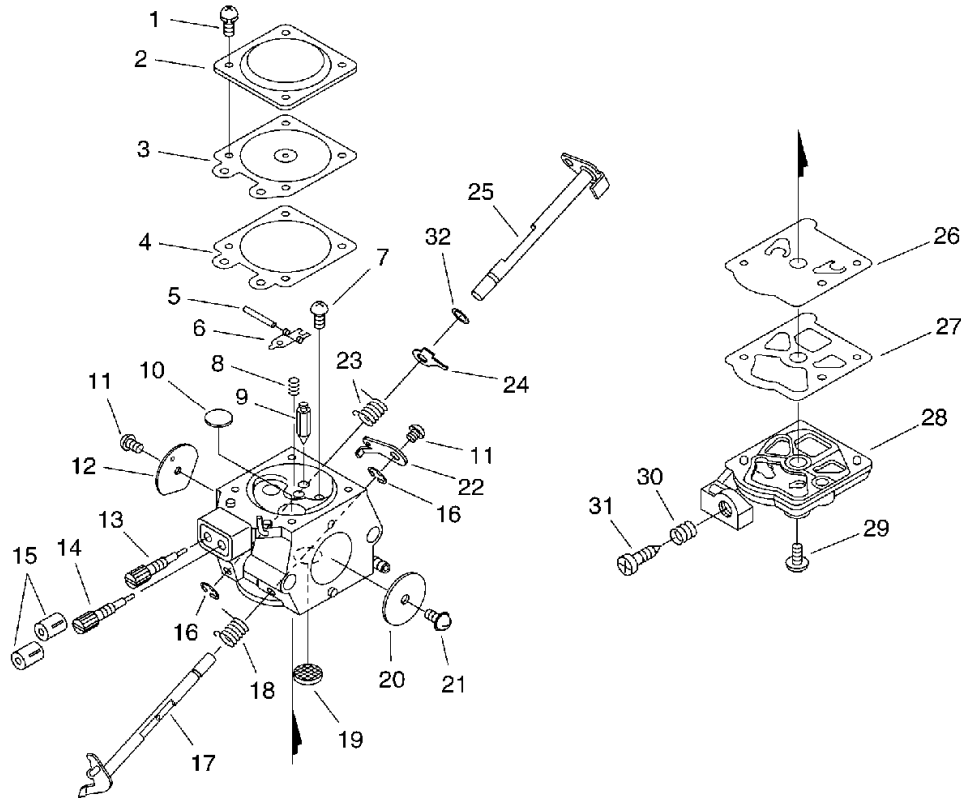
KEY	LV	PART NUMBER	Q'TY	DESCRIPTION	REMARKS	NOTE1	NOTE2
1		C032-000135	1	BRAKE,ASM CHAIN			
2	+	C320-000046	1	LEVER,BRAKE			
3	+	900330-30260	2	ROLLER 3*26	3*26		
4	+	900562-50005	1	LOCKNUT 5	5		
5	+	V353-000060	1	COLLAR,5			
6	+	433167-39130	1	SPACER			
7	+	91318-05032	1	SCREW	5*32		
8	+	V452-000110	1	SPRING,TORSION			
9	+	C345-000112	1	COVER,BRAKE			
9	+	C345-000113	1	COVER,BRAKE			
10	+	900253-04012	2	SCREW	4*12		
11	+	433116-35430	1	SPACER 8	8*12*9		
12	+	C334-000070	1	CONNECTOR,BRAKE			
13	+	C300-000170	1	GUARD,SPROCKET			
14	+	C328-000020	1	BAND,BRAKE			
15	+	93050-30098	1	ROLLER	F3*9.8		
16	+	V376-000450	1	SPACER			
17	+	V450-000070	1	SPRING,COMPRESSION			
18		175012-35630	1	BEARING, NEEDLE	10*13*10		
19		A556-000091	1	DRUM,CLUTCH	3/8A		
20		A551-000010	1	PLATE,CLUTCH			
21		A056-000030	1	CLUTCH			
22	+	V451-000150	3	SPRING,TENSION			
23		P021-001950	1	CLUTCH SHOE SET			
24	+	A552-000020	1	HUB,CLUTCH			
25	+	P021-000063	1	TENSIONER,CHAIN ASY			

6. CLUTCH, SPROCKET, CHAIN BRAKE



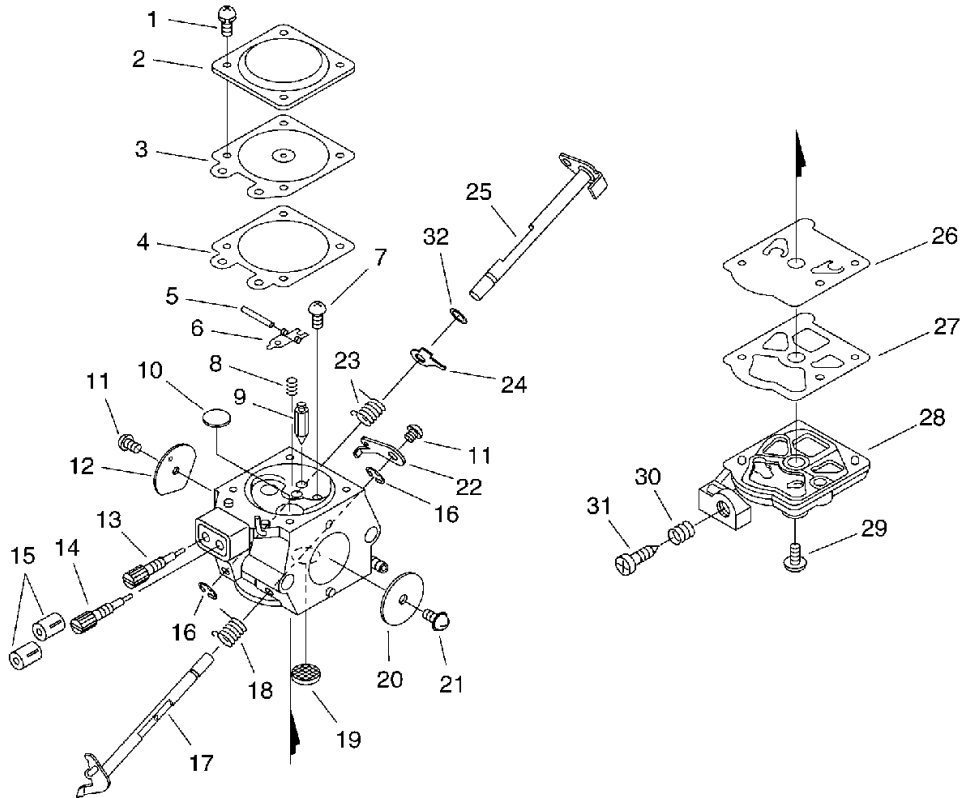
KEY	LV	PART NUMBER	Q'TY	DESCRIPTION	REMARKS	NOTE1	NOTE2
26	+	V203-000021	1	BOLT,5			
27	+	C309-000030	1	TENSIONER,CHAIN			
28	+	V651-000011	1	GEAR,BEVEL			
29		V355-000270	1	COLLAR,8			
30		V651-000001	1	GEAR,BEVEL			
31		900253-04010	1	SCREW 4*10	4*10		
32		C305-000031	1	PLATE,SPROCKET GUARD			
33		433019-12330	1	NUT, FLANGE 8	M-8		
34		X502-000340	1	LABEL,ECHO	ECHO(WHITE)		
35		A320-000022	1	COVER,MUFFLER			
35		A320-000023	1	COVER,MUFFLER			
36		900253-04016	2	SCREW 4*16	4*16		
37		431010-39230	1	CHAIN, SAW 91VG-47E	91VG-47E 30C		
38		X122-000071	1	BAR,GUIDE30RC50M-3/8	30RC50M-3/8 ECHO		

7-1. CARBURETOR



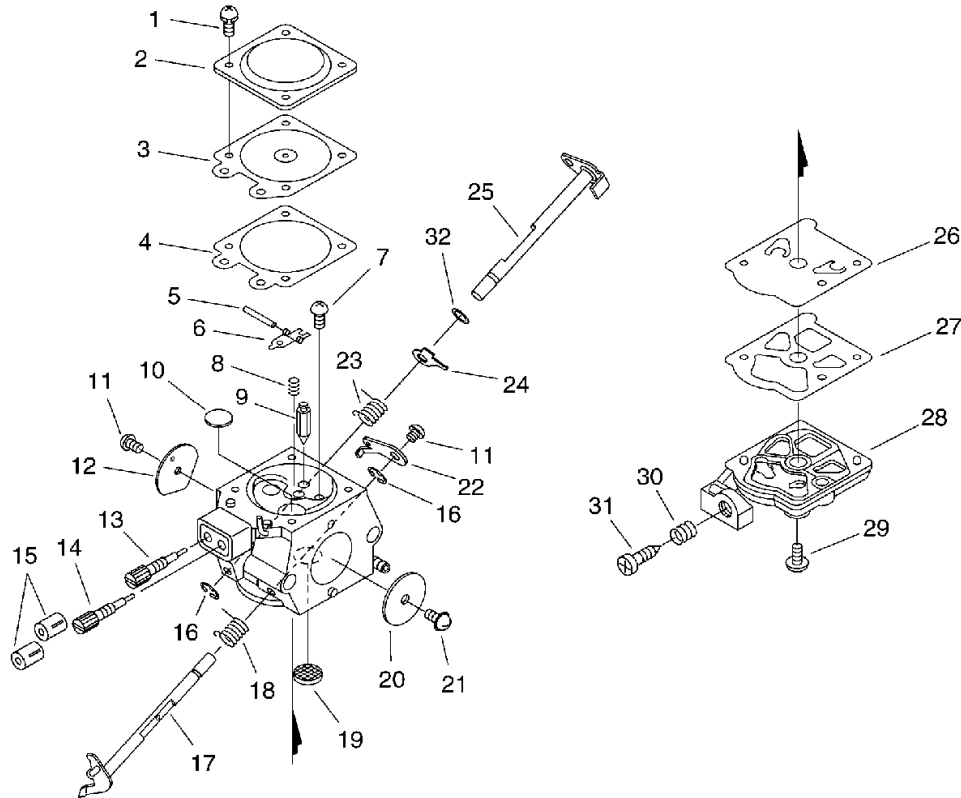
KEY	LV	PART NUMBER	Q'TY	DESCRIPTION	REMARKS	NOTE1	NOTE2
		A021-001420	1	CARBURETOR,DIAPHRAGM	WT-845		
1	+	123130-02960	4	SCREW			
2	+	123142-03930	1	COVER, M. DIAPHRAGM			
3	+	123141-03930	1	DIAPHRAGM, METERING			
4	+	123140-27230	1	GASKET,M. DIAPHRAGM			
5	+	123138-03930	1	PIN, METERING LEVER			
6	+	123123-03930	1	LEVER, METERING			
7	+	123139-03930	1	SCREW, M. LEVER PIN			
8	+	123122-03660	1	SPRING, METER. LEVER			
9	+	123137-19830	1	VALVE, INLET NEEDLE			
10	+	123146-10631	1	PLUG, WELCH			
11	+	123114-38830	2	SCREW			
12	+	123132-35430	1	VALVE, CHOKE			
13	+	123120-03661	1	NEEDLE			
14	+	123118-02261	1	NEEDLE			
15	+	P003-000010	2	LIMITER CAP			
16	+	123127-15030	2	RING			
17	+	P003-001300	1	SHAFT, THROTTLE			
18	+	123113-37530	1	SPRING, THROTTLE RTN			
19	+	123126-10631	1	SCREEN, INLET			
20	+	123116-05960	1	VALVE, THROTTLE			
21	+	123114-05260	1	SCREW			
22	+	P003-001040	1	LEVER THROTTLE			
23	+	P003-001470	1	SPRING			
24	+	P003-001510	1	LEVER-FAST IDLE			
25	+	P003-001140	1	SHAFT, CHOKE			

7-1. CARBURETOR



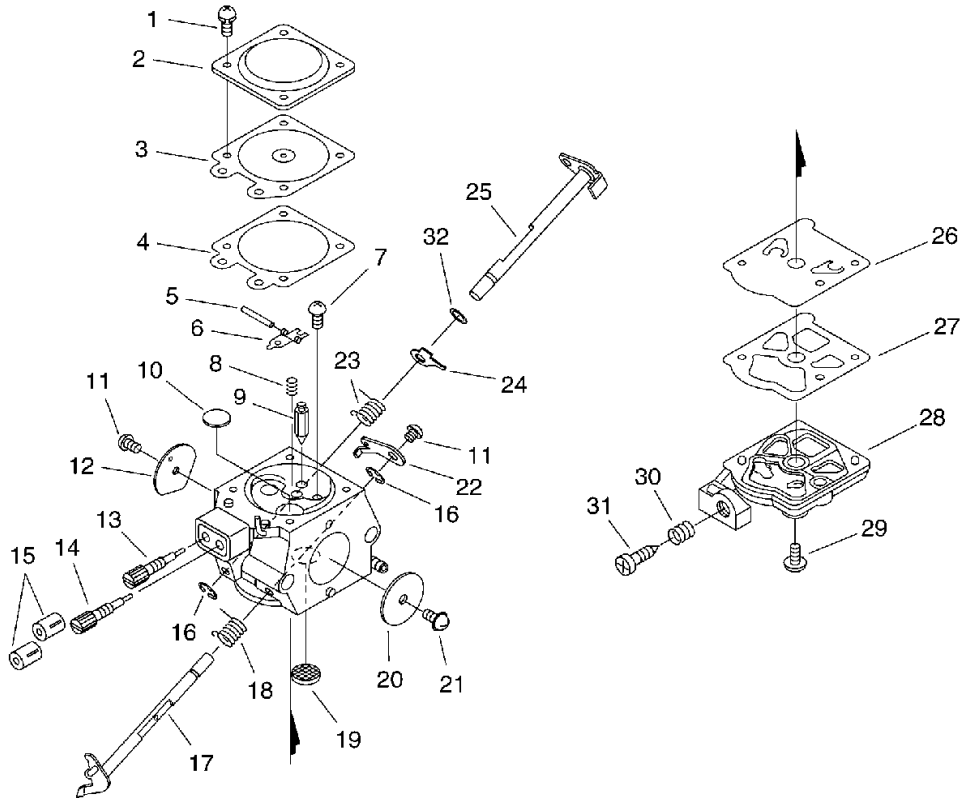
KEY	LV	PART NUMBER	Q'TY	DESCRIPTION	REMARKS	NOTE1	NOTE2
26	+	123112-15030	1	DIAPHRAGM, FUEL PUMP			
27	+	123125-15030	1	GASKET, FUEL PUMP			
28	+	123124-24430	1	COVER, FUEL PUMP			
29	+	123110-03930	1	SCREW, PUMP COVER			
30	+	123133-04260	1	SPRING, IDLE ADJUST			
31	+	123134-04260	1	SCREW, IDLE ADJUST			
32	+	123149-26030	1	WASHER			

7-2. CARBURETOR



KEY	LV	PART NUMBER	Q'TY	DESCRIPTION	REMARKS	NOTE1	NOTE2
		A021-001421	1	CARBURETOR,DIAPHRAGM	WT-845		
1	+	123130-02960	4	SCREW			
2	+	123142-03930	1	COVER, M. DIAPHRAGM			
3	+	P003-001850	1	DIAPHRAGM, METERING			
4	+	123140-27230	1	GASKET,M. DIAPHRAGM			
5	+	123138-03930	1	PIN, METERING LEVER			
6	+	123123-03930	1	LEVER, METERING			
7	+	123139-03930	1	SCREW, M. LEVER PIN			
8	+	123122-03660	1	SPRING, METER. LEVER			
9	+	123137-19830	1	VALVE, INLET NEEDLE			
10	+	123146-10631	1	PLUG, WELCH			
11	+	123114-38830	2	SCREW			
12	+	123132-35430	1	VALVE, CHOKE			
13	+	123120-03661	1	NEEDLE			
14	+	123118-02261	1	NEEDLE			
15	+	P003-000010	2	LIMITER CAP			
16	+	123127-15030	2	RING			
17	+	P003-001300	1	SHAFT, THROTTLE			
18	+	123113-37530	1	SPRING, THROTTLE RTN			
19	+	123126-10631	1	SCREEN, INLET			
20	+	123116-05960	1	VALVE, THROTTLE			
21	+	123114-05260	1	SCREW			
22	+	P003-001040	1	LEVER THROTTLE			
23	+	P003-001470	1	SPRING			
24	+	P003-001510	1	LEVER-FAST IDLE			
25	+	P003-001140	1	SHAFT, CHOKE			

7-2. CARBURETOR



KEY	LV	PART NUMBER	Q'TY	DESCRIPTION	REMARKS	NOTE1	NOTE2
26	+	123112-15030	1	DIAPHRAGM, FUEL PUMP			
27	+	123125-15030	1	GASKET, FUEL PUMP			
28	+	123124-24430	1	COVER, FUEL PUMP			
29	+	123110-03930	1	SCREW, PUMP COVER			
30	+	123133-04260	1	SPRING, IDLE ADJUST			
31	+	123134-04260	1	SCREW, IDLE ADJUST			
32	+	123149-26030	1	WASHER			

Index

Patrs Number	Key No.	Patrs Number	Key No.	Patrs Number	Key No.
100011-05731	1 - 11	123139-03930	## - 7	900162-05022	1 - 2
100013-22330	1 - 10	123139-03930	## - 7	900238-04012	4 - 6
100014-55930	1 - 8	123140-27230	## - 4	900238-05022	3 - 9
100015-04630	1 - 9	123140-27230	## - 4	900238-05050	5 - 17
100910-60030	5 - 3	123141-03930	## - 3	900253-04008	5 - 6
100915-33930	5 - 2	123142-03930	## - 2	900253-04010	6 - 31
100918-15130	5 - 13	123142-03930	## - 2	900253-04012	4 - 14
100918-19830	5 - 1	123146-10631	## - 10	900253-04012	5 - 35
100921-39131	5 - 11	123146-10631	## - 10	900253-04012	6 - 10
123110-03930	## - 29	123149-26030	## - 32	900253-04016	6 - 36
123110-03930	## - 29	123149-26030	## - 32	900253-05020	1 - 21
123112-15030	## - 26	123181-39130	4 - 27	900253-05020	5 - 7
123112-15030	## - 26	130020-33330	5 - 23	900256-04016	3 - 27
123113-37530	## - 18	131205-14930	4 - 26	900330-30260	6 - 3
123113-37530	## - 18	131300-56430	4 - 31	900345-40025	5 - 30
123114-05260	## - 21	132010-22130	4 - 10	900515-00008	3 - 2
123114-05260	## - 21	132012-11960	4 - 8	900562-50005	6 - 4
123114-38830	## - 11	132013-09820	4 - 25	900602-00004	4 - 15
123114-38830	## - 11	132013-26630	4 - 9	900603-00005	3 - 5
123116-05960	## - 20	132115-01461	4 - 11	900720-00018	4 - 33
123116-05960	## - 20	132115-44330	4 - 13	900720-00018	4 - 33
123118-02261	## - 14	145510-13931	2 - 2	900724-00004	1 - 23
123118-02261	## - 14	150117-16430	3 - 10	900800-36001	1 - 5
123120-03661	## - 13	156110-04920	3 - 13	91107-05040	2 - 6
123120-03661	## - 13	156114-07320	3 - 12	91318-05032	6 - 7
123122-03660	## - 8	159010-10230	3 - 16	91481-04035	4 - 16
123122-03660	## - 8	163911-30130	1 - 15	93050-30098	6 - 15
123123-03930	## - 6	175012-35630	6 - 18	A021-001420	5 - 21
123123-03930	## - 6	177214-04630	4 - 17	A021-001420	## -
123124-24430	## - 28	177236-61830	3 - 18	A021-001421	5 - 21
123124-24430	## - 28	177246-11120	3 - 25	A021-001421	## -
123125-15030	## - 27	178090-37930	5 - 34	A051-000635	3 - 17
123125-15030	## - 27	431010-39230	6 - 37	A056-000030	6 - 21
123126-10631	## - 19	433019-12330	6 - 33	A172-000112	3 - 7
123126-10631	## - 19	433026-35430	1 - 20	A202-000001	1 - 14
123127-15030	## - 16	433116-35430	6 - 11	A204-000060	5 - 19
123127-15030	## - 16	433167-39130	6 - 6	A226-000200	5 - 18
123130-02960	## - 1	436114-13930	1 - 24	A232-000191	5 - 14
123130-02960	## - 1	436205-02832	4 - 12	A235-000140	5 - 16
123132-35430	## - 12	890157-39130	5 - 24	A239-000030	4 - 20
123132-35430	## - 12	890345-39230	5 - 26	A241-000060	5 - 28
123133-04260	## - 30	890631-38230	5 - 22	A300-000130	2 - 3
123133-04260	## - 30	895410-02830	2 - 8	A301-000000	2 - 4
123134-04260	## - 31	895812-03930	2 - 7	A303-000000	2 - 5
123134-04260	## - 31	898510-07130	2 - 11	A320-000022	6 - 35
123137-19830	## - 9	898568-14530	2 - 10	A320-000023	6 - 35
123137-19830	## - 9	900106-05016	1 - 16	A365-000050	4 - 34
123138-03930	## - 5	900106-05025	1 - 25	A365-000050	4 - 34
123138-03930	## - 5	900162-04012	1 - 12	A409-000040	3 - 1

Index

Patrs Number	Key No.	Patrs Number	Key No.	Patrs Number	Key No.
A411-000340	3 - 8	P021-005591	4 - 32	X122-000071	6 - 38
A426-000000	3 - 15	P021-006951	2 - 9	X502-000340	6 - 34
A427-000000	3 - 14	P021-010890	4 - 1	X502-000350	3 - 28
A440-000430	5 - 27	P021-011220	1 - 3	X503-007640	3 - 29
A500-000184	3 - 26	P021-011230	1 - 1		
A506-000030	3 - 21	P022-001320	3 - 24		
A506-000080	3 - 21	P022-001330	3 - 23		
A507-000021	3 - 19	P022-006220	3 - 22		
A514-000020	3 - 4	V130-000000	5 - 29		
A551-000010	6 - 20	V137-000000	4 - 30		
A552-000020	6 - 24	V141-000050	5 - 20		
A556-000091	6 - 19	V142-000030	5 - 37		
C022-000020	4 - 2	V186-000020	4 - 23		
C032-000135	6 - 1	V187-000010	4 - 7		
C300-000170	6 - 13	V202-000011	1 - 19		
C305-000022	1 - 18	V202-000020	4 - 21		
C305-000031	6 - 32	V202-000020	5 - 12		
C309-000030	6 - 27	V203-000021	6 - 26		
C320-000046	6 - 2	V203-000100	3 - 6		
C328-000020	6 - 14	V225-000030	1 - 17		
C334-000070	6 - 12	V308-000030	4 - 3		
C345-000112	6 - 9	V352-000020	4 - 18		
C345-000113	6 - 9	V353-000060	6 - 5		
C400-000200	5 - 4	V355-000270	6 - 29		
C410-000155	5 - 10	V356-000290	4 - 5		
C411-000001	5 - 36	V358-000020	1 - 13		
C450-000141	5 - 32	V358-000021	1 - 13		
C454-000080	5 - 33	V376-000450	6 - 16		
C617-000200	5 - 5	V420-000930	5 - 25		
P003-000010	## - 15	V450-000070	6 - 17		
P003-000010	## - 15	V450-000080	4 - 19		
P003-001040	## - 22	V451-000150	6 - 22		
P003-001040	## - 22	V452-000030	3 - 3		
P003-001140	## - 25	V452-000110	6 - 8		
P003-001140	## - 25	V452-000150	3 - 20		
P003-001300	## - 17	V452-000260	5 - 31		
P003-001300	## - 17	V470-000320	4 - 22		
P003-001470	## - 23	V471-001230	4 - 24		
P003-001470	## - 23	V471-001270	4 - 29		
P003-001510	## - 24	V471-001280	4 - 28		
P003-001510	## - 24	V475-001900	3 - 11		
P003-001850	## - 3	V485-000380	5 - 8		
P021-000063	6 - 25	V485-000390	5 - 9		
P021-001930	2 - 1	V505-000000	1 - 4		
P021-001950	6 - 23	V553-000020	1 - 6		
P021-002150	1 - 7	V582-000020	5 - 15		
P021-003436	1 - 22	V651-000001	6 - 30		
P021-003437	1 - 22	V651-000011	6 - 28		
P021-005581	4 - 35	V652-000030	4 - 4		

YAMABIKO CORPORATION

7-2 SUEHIROCHO 1-CHOME, OHME, TOKYO 198-8760, JAPAN
PHONE: 81-428-32-6118. FAX: 81-428-32-6145.

ECHO[®]



10Hb
No. 63-121