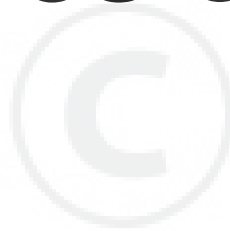




# **PARTS CATALOG**

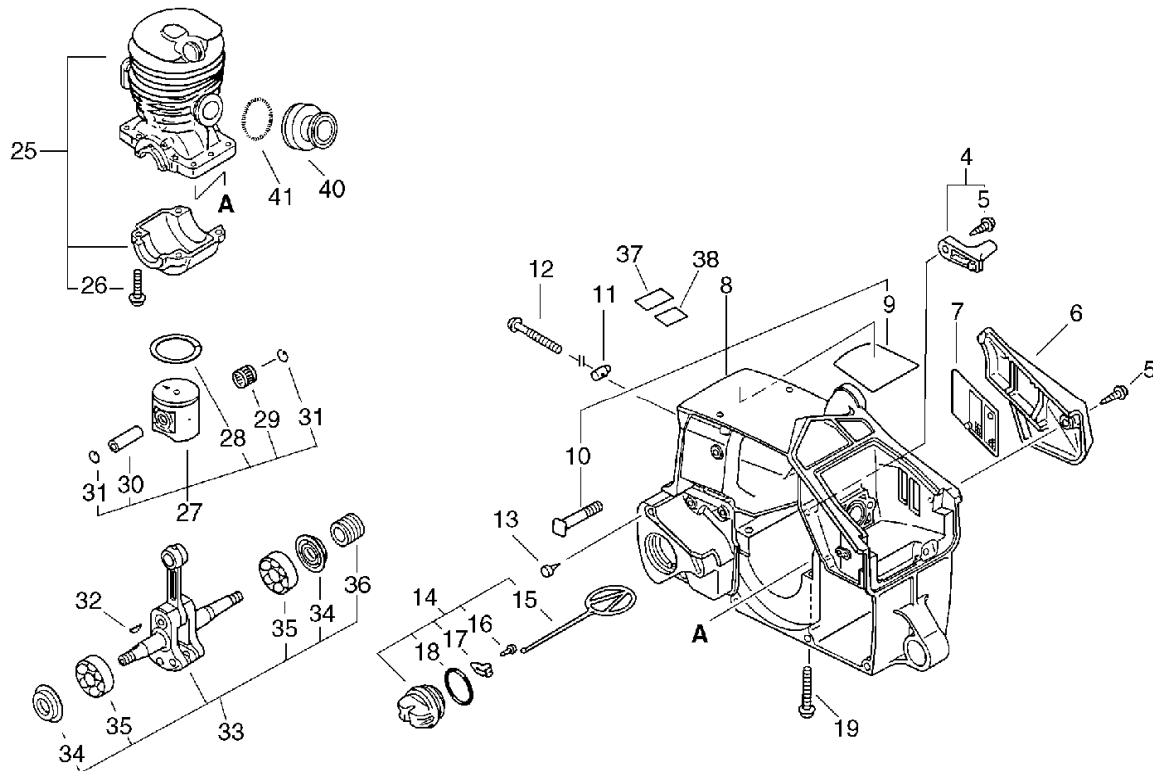
## **CHAIN SAW CS-3600,3900**



CS-3600,3900

# 1. Cylinder, Crankcase, Piston

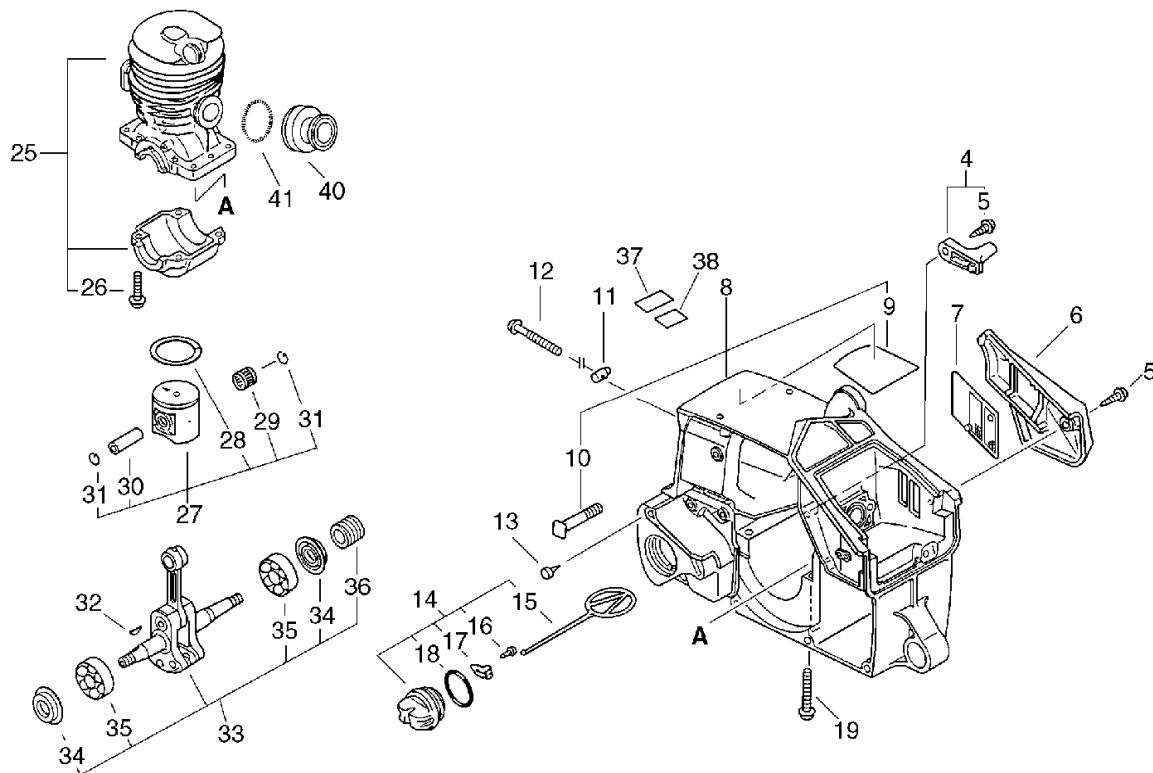
## No.1



KEY	LV	PART NUMBER	Q'TY	DESCRIPTION	REMARKS	NOTE1	NOTE2
4		433000-35430	1	CATCHER KIT, CHAIN			
5	+	900252-05020	1	SCREW 5*20	5*20		
5		900252-05020	1	SCREW 5*20	5*20		
6		104012-35430	1	COVER, DUST (BS)			
7		104016-35430	1	PLATE, DUST			
8		104008-37330	1	COVER, ENGINE			
9	+	101520-35430	1	COVER			
10	+	433011-19830	2	STUD, GUIDE BAR			
11		433014-03931	1	TENSIONER			
12		433016-35430	1	SCREW, TENSIONER			
13		436114-13930	1	VALVE, CHECK			
14		436001-19832	1	CAP ASSY, OIL TANK		Sus. by P021-009130	
14		436001-19833	1	CAP ASSY, OIL TANK		Sus. by P021-009130	
14		P021-009130	1	OIL CAP ASY			
15	+	131051-19830	1	LINK	60L	Sus. by A365-000050	
15	+	A365-000050	1	CONNECTOR,CAP			
16	+	900246-03008	1	SCREW 3*8	3*8		
17	+	131050-19830	1	RETAINER, LINK			
18	+	900725-02025	1	O-RING	JASO 2025		
19		900162-05030	4	BOLT, H.S. 5*30	5*30 W,SW		
25		100202-35431	1	CRANKCASE SET		CS-3600	
26	+	900162-05025	4	BOLT, H.S. 5*25	5*25 W,SW	CS-3600	

# 1. Cylinder, Crankcase, Piston

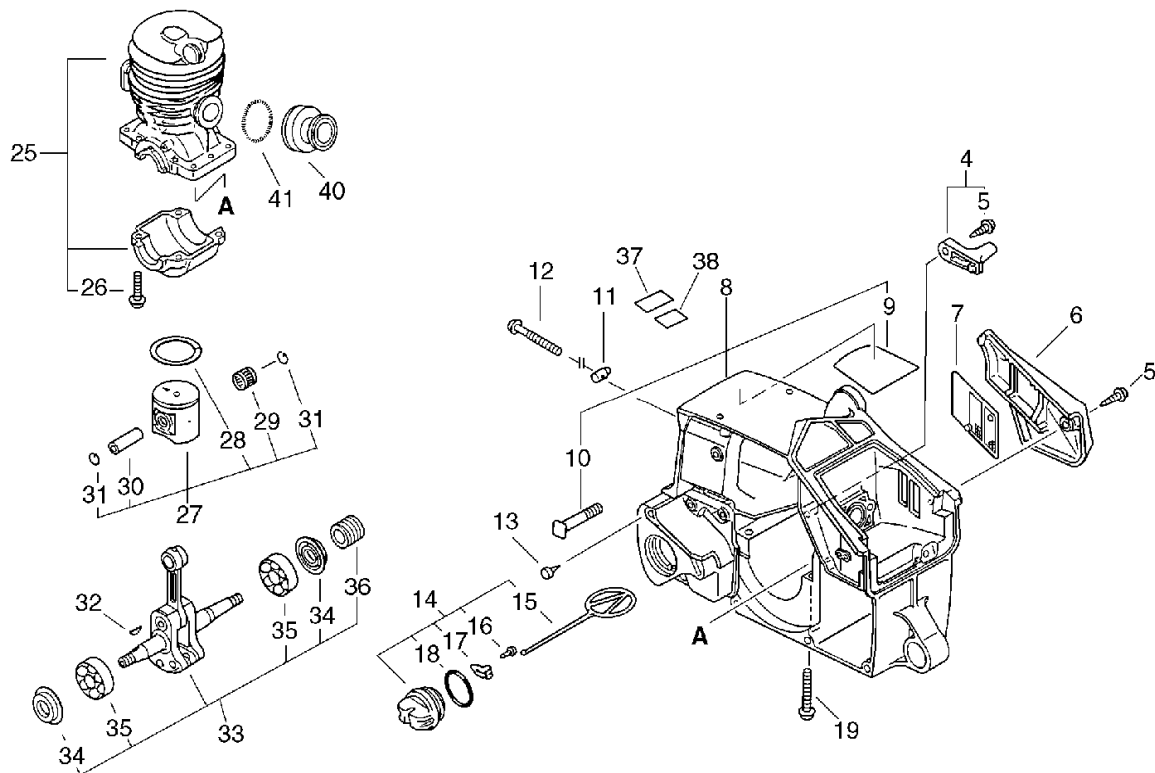
## No.1



KEY	LV	PART NUMBER	Q'TY	DESCRIPTION	REMARKS	NOTE1	NOTE2
27		100000-35430	1	PISTON KIT		Sus. by 100000-35431	
27		100000-35431	1	PISTON KIT		CS-3600	
28	+	100011-13330	1	RING, PISTON		CS-3600	
29	+	100012-35430	1	BEARING, NEEDLE	9*12*12	CS-3600	
30	+	100013-35430	1	PIN, PISTON	6*9*27.8	CS-3600	
31	+	100015-03930	2	CIRCLIP, PISTON PIN		Sus. by 100015-03931	
31	+	100015-03931	2	CIRCLIP, PISTON PIN		CS-3600	
40		130510-35430	1	BELLOWS, INTAKE		CS-3600	
25		100202-37331	1	CRANKCASE SET		CS-3900	
26	+	900162-05025	4	BOLT, H.S. 5*25	5*25 W,SW	CS-3900	
27		100000-37330	1	PISTON KIT		Sus. by 100000-37331	
27		100000-37331	1	PISTON KIT		CS-3900	
28	+	100011-37330	1	RING, PISTON		CS-3900	
29	+	100012-35430	1	BEARING, NEEDLE	9*12*12	CS-3900	
30	+	100013-35430	1	PIN, PISTON	6*9*27.8	CS-3900	
31	+	100015-03930	2	CIRCLIP, PISTON PIN		Sus. by 100015-03931	
31	+	100015-03931	2	CIRCLIP, PISTON PIN		CS-3900	
40		130510-37330	1	ADAPTER, INTAKE		CS-3900	
32		100142-42030	1	KEY, WOODRUFF		Sus. by 100142-39130	
32		100142-39130	1	KEY, WOODRUFF			
33		100101-35430	1	CRANKSHAFT ASSY			

# 1. Cylinder, Crankcase, Piston

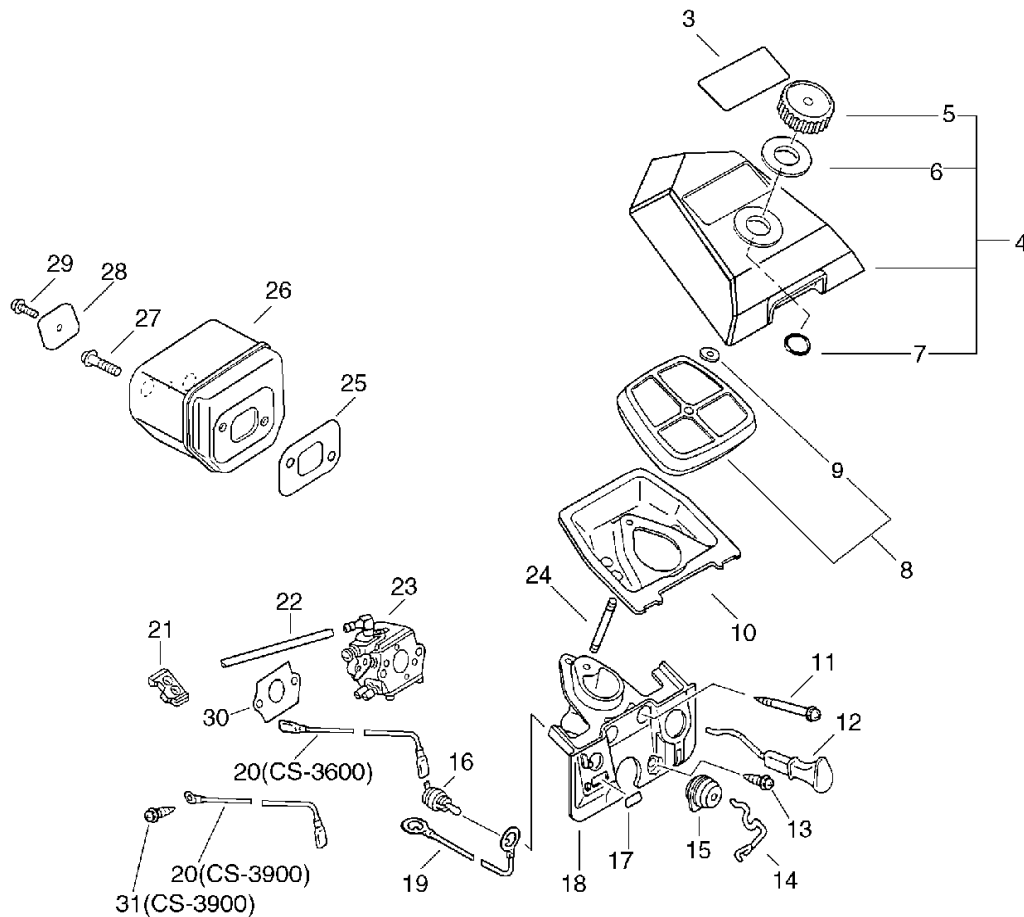
## No.1



KEY	LV	PART NUMBER	Q'TY	DESCRIPTION	REMARKS	NOTE1	NOTE2
34	+	100213-38330	2	OILSEAL	15Z=12*35*6.4		
35	+	900810-36201	2	BEARING, BALL 6201	6201/C3	Sus. by 94035-36201	
35	+	94035-36201	2	BEARING BALL	6201X3JR2C3		
36	+	437063-35430	1	WORM			
37		890345-39230	1	LABEL, CAUTION			
38		890316-39130	1	LABEL, CAUTION			
41		130516-35430	1	SPRING, TENSION			
*		104008-37330	1	COVER, ENGINE		KEY NO.1-8	
	+	101520-35430	1	COVER		KEY NO.1-9	
	+	433011-19830	2	STUD, GUIDE BAR		KEY NO.1-10	
	+	436114-13930	1	VALVE, CHECK		KEY NO.1-13	
	+	150640-37330	2	BOLT		KEY NO.3-31	
	+	156635-37330	1	PLATE, GROUND		KEY NO.3-32	
	+	132115-12330	1	GROMMET		KEY NO.5-20	

## 2. Air Cleaner, Muffler

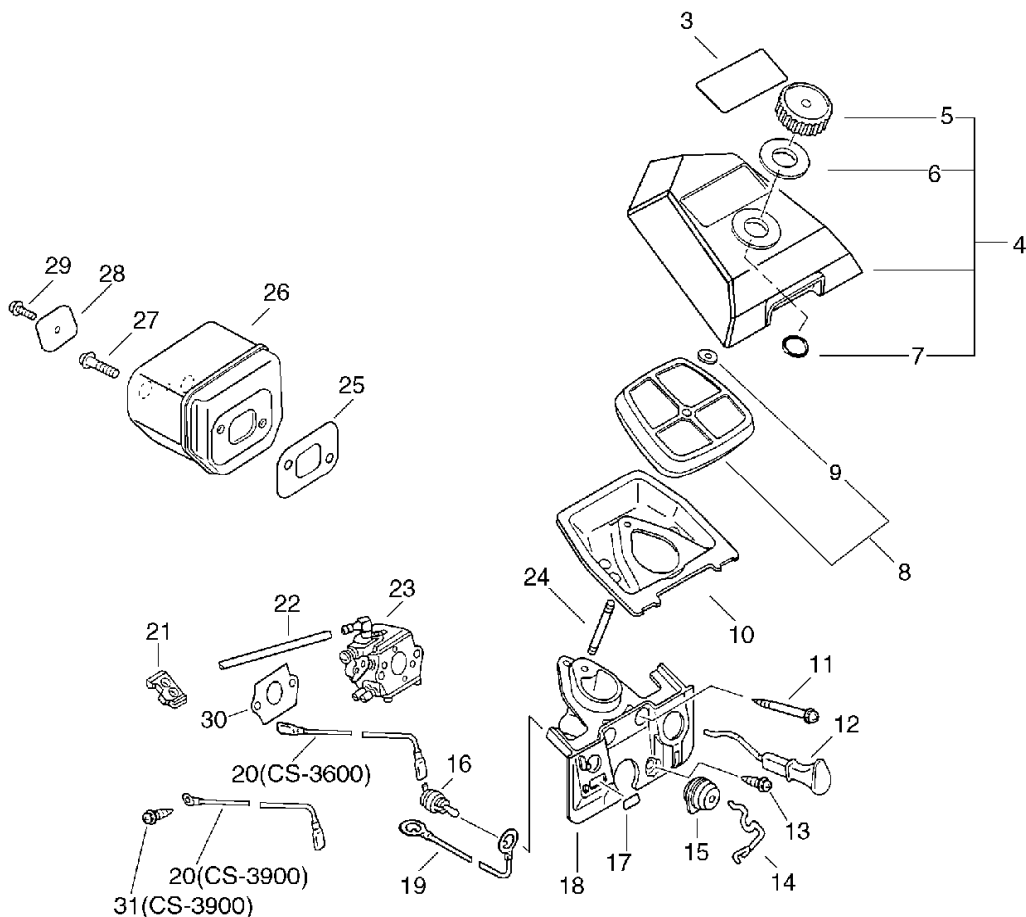
No.2



KEY	LV	PART NUMBER	Q'TY	DESCRIPTION	REMARKS	NOTE1	NOTE2
3		890370-35430	1	LABEL, MODEL		CS-3600	
3		890370-38330	1	LABEL, MODEL		CS-3900	
4		130302-35430	1	COVER ASSY, AIR CLN.			
5	+	130406-33331	1	KNOB, CLEANER LID			
6	+	130414-37330	1	GASKET, CIRCULAR			
7	+	900720-00011	1	O-RING P-11	P-11		
8		130305-35430	1	FILTER, AIR			
9	+	130414-35430	1	GASKET, CIRCULAR			
10		130320-35430	1	SEAL (BL)			
11		900252-05055	2	SCREW 5*55	5*55		
12		178510-35430	1	ROD, CHOKE			
13		900252-05020	1	SCREW 5*20	5*20		
14		178011-35430	1	ROD, THROTTLE			
15		178114-35430	1	GROMMET			
16		163400-35430	1	SWITCH, IGNITION			
17		890157-39130	1	LABEL, SWITCH			
18		130405-35430	1	BRACKET, AIR CLEANER			
19		156621-35430	1	LEAD	250L		
20		156630-35430	1	LEAD	300L	CS-3600	
20		156630-37330	1	LEAD		CS-3900	
21		132115-35430	1	GROMMET			
22		437211-16431	1	PIPE			
23		123000-35430	1	CARBURETOR ASSY	WT-88A	CS-3600	
23		123000-37332	1	CARBURETOR ASSY	WT-118B	CS-3900	
24		130325-32330	1	BOLT, AIR CLEANER			
25		145510-35431	1	GASKET, MUFFLER			

## 2. Air Cleaner, Muffler

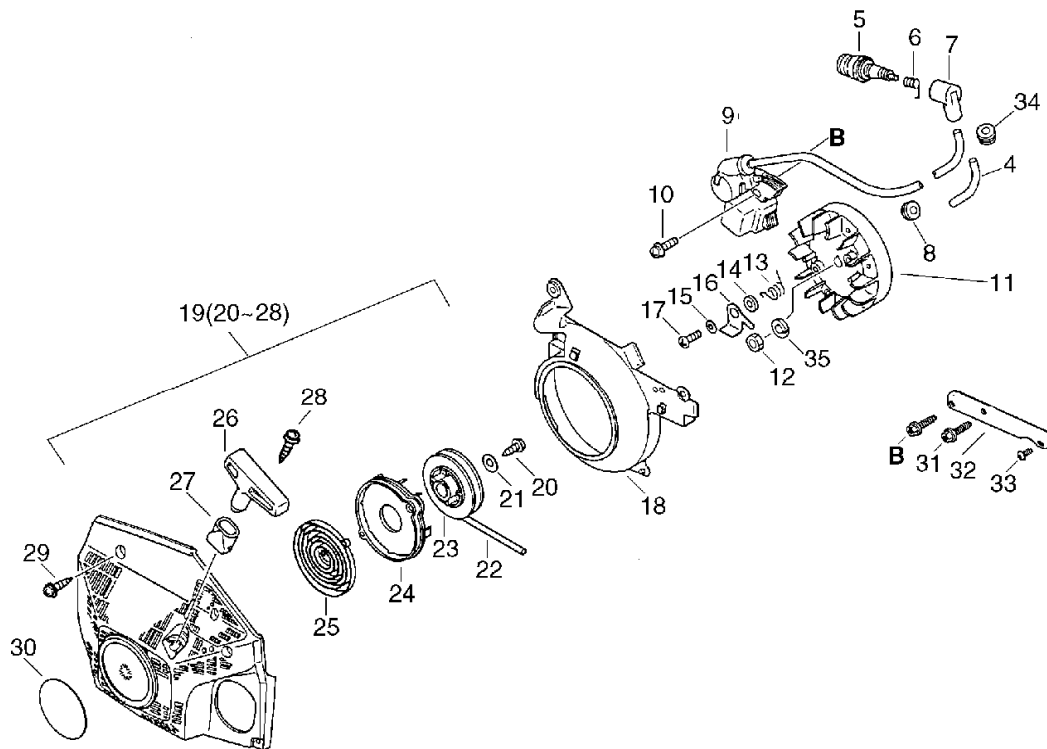
No.2



KEY	LV	PART NUMBER	Q'TY	DESCRIPTION	REMARKS	NOTE1	NOTE2
26		145810-35430	1	MUFFLER (BL)			
27		900162-05020	2	BOLT, H.S. 5*20	5*20 W,SW	CS-3600	
27		900162-05018	2	BOLT, H.S. 5*18	5*18 W,SW	CS-3900	
28		145711-35430	1	PLATE (BL)		Sus. by 145711-60631	
28		145711-60631	1	STAY, MUFFLER			
29		900238-04008	1	SCREW 4*8	4*8		
30		130010-35430	1	GASKET, CARBURETOR			
31		900242-04008	1	SCREW	4*8	CS-3900	

## 3. Starter, Magneto

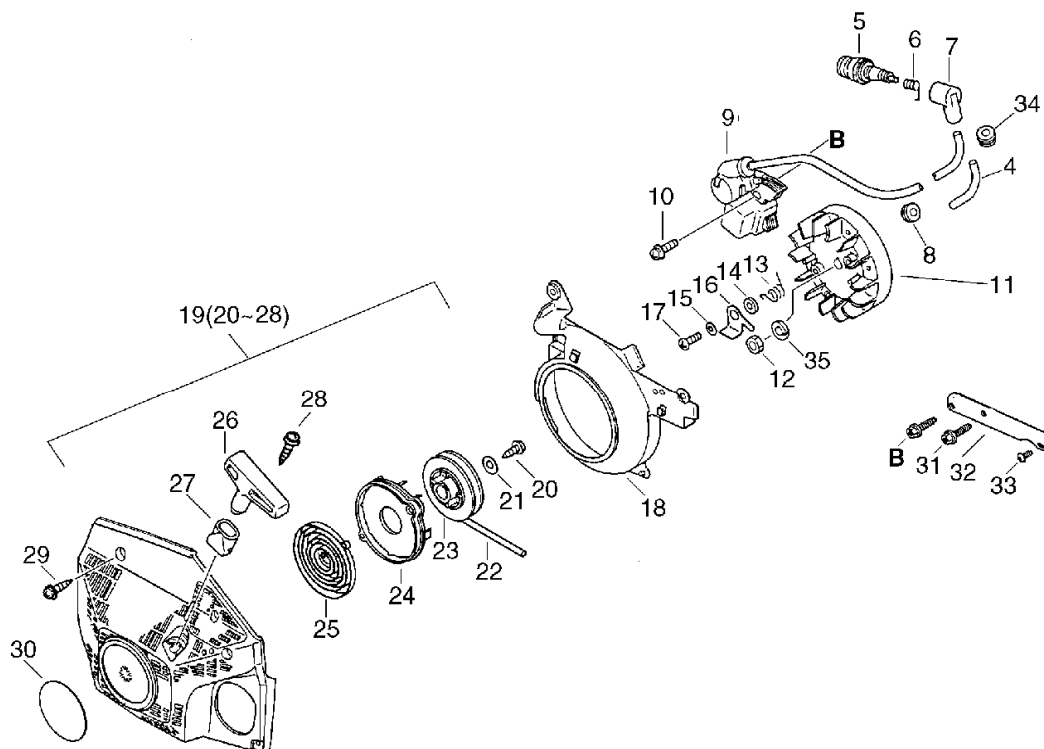
No.3



KEY	LV	PART NUMBER	Q'TY	DESCRIPTION	REMARKS	NOTE1	NOTE2
4		156613-13930	1	TUBE	8*9.6*35		
5		159017-10230	1	PLUG, SPARK (RCJ-7Y)	RCJ-7Y		
6		159011-03432	1	COIL, SPARK PLUG			
7		159012-01620	1	CAP, SPARK PLUG			
8		132115-01461	1	GROMMET			
9		156601-35430	1	C.D IGNITION MODULE		CS-3600	
9		156601-37330	1	C.D. IGNITION MODULE		CS-3900	
10		900162-04012	2	BOLT, H.S. 4*12	4*12 W,SW		
11		156800-35430	1	ROTOR, MAGNETO		CS-3600	
11		156800-37330	1	ROTOR, MAGNETO		CS-3900	
12		900500-00008	1	NUT 8	8*P1.25		
13		177234-35430	2	SPRING, RETURN			
14		900603-00005	2	WASHER 5	5.5*12*0.8		
15		177247-04630	2	SPACER, RATCHET	5.2*8*2.1		
16		177218-35430	2	PAWL, STARTER			
17		900162-05014	2	BOLT, H.S. 5*14	5*14 W,SW		
18		101535-37330	1	COVER, FAN			
19		177200-35434	1	STARTER.ASSY			
20	+	900242-05012	1	SCREW 5*12	5*12		
21	+	177214-02830	1	WASHER	5.2*16*1.0T		
22	+	177226-11130	1	ROPE, STARTER	3.5*770		
23	+	177215-35430	1	DRUM, STARTER			
24	+	177221-35430	1	PLATE, STARTER			
25	+	177220-35430	1	SPRING, REWIND			
26	+	177228-35430	1	GRIP, STARTER (BL)			
27	+	177227-37930	1	GUIDE, ROPE			

### 3. Starter, Magneto

No.3

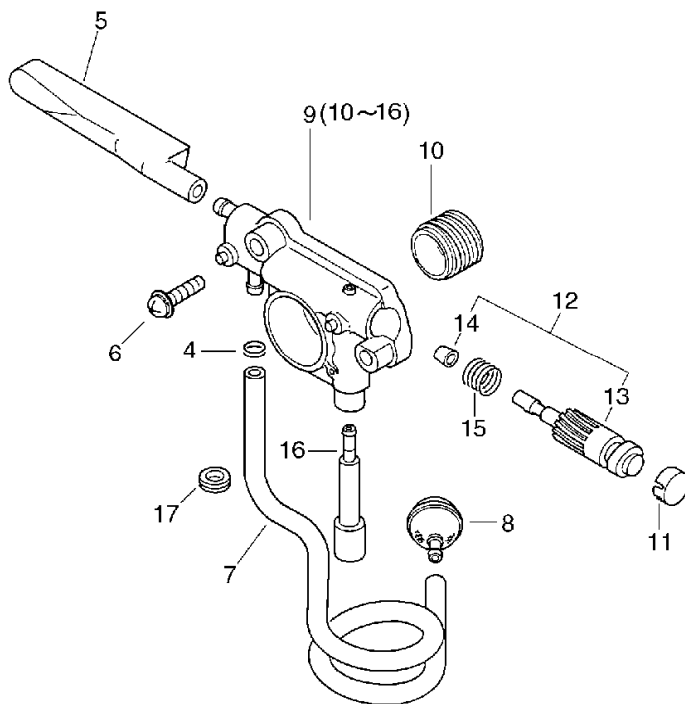


KEY	LV	PART NUMBER	Q'TY	DESCRIPTION	REMARKS	NOTE1	NOTE2
28	+	900296-03014	1	SCREW 3*14	3*14 SUS		
29		900252-05020	4	SCREW 5*20	5*20		
30		890118-35430	1	LABEL, ECHO		Sus. by 890118-49330	
30		890118-49330	1	LABEL, ECHO			
31		150640-37330	2	BOLT			
32		156635-37330	1	PLATE, GROUND			
33		900220-04008	1	SCREW 4*8	4*8		
34		150110-35430	1	BUSHING			
35		900605-00008	1	WASHER, SPRING 8	8		



# 4. Auto-Oiler

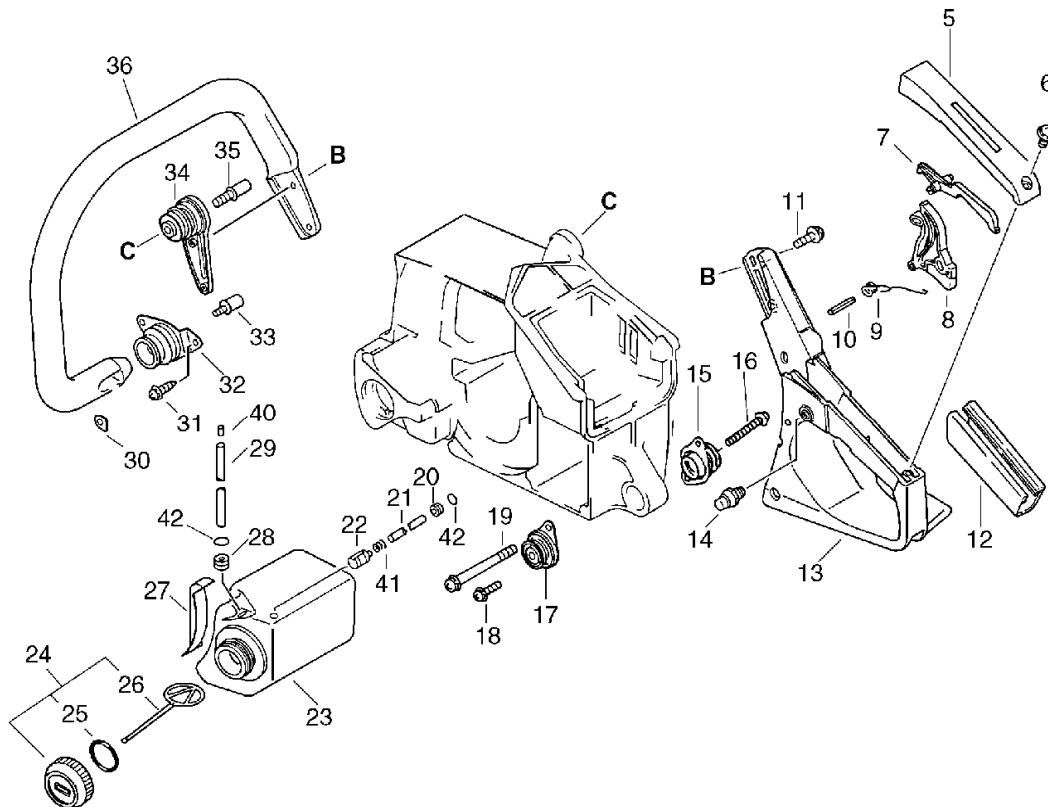
No.4



KEY	LV	PART NUMBER	Q'TY	DESCRIPTION	REMARKS	NOTE1	NOTE2
4		437411-19830	1	CLIP, OIL PIPE			
5		437211-35430	1	PIPE, OIL			
6		900162-04016	2	BOLT, H.S. 4*16	4*16 W,SW		
7		437210-35430	1	PIPE			
8		436205-14730	1	STRAINER, OIL			
9		437000-35432	1	AUTO-OILER ASSY			
10	+	437063-35430	1	WORM			
11	+	437062-35431	1	PLUG			
12	+	437006-35430	1	PLUNGER KIT			
13	++	437803-35430	1	PLUNGER W/VRING			
14	++	437020-35430	1	V-RING			
15	+	437019-35430	1	SPRING, OILER			
16	+	437009-35430	1	PIN, CONTROL			
17		132115-12330	1	GROMMET			

## 5. Handle

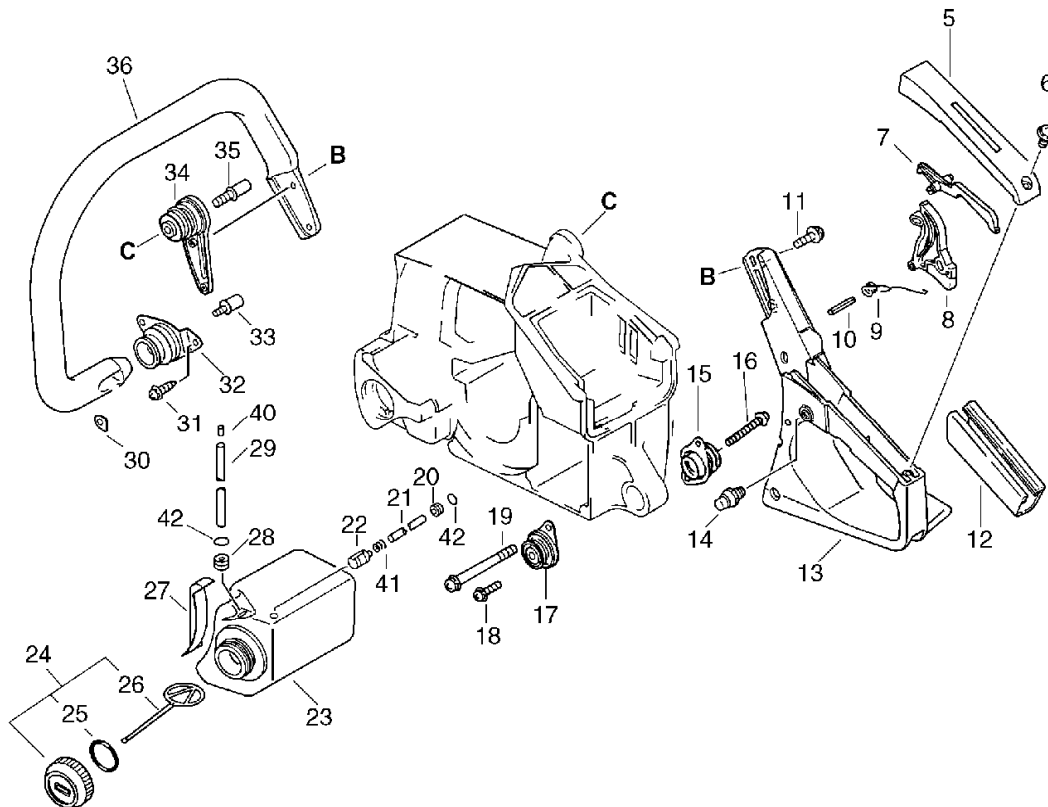
No.5



KEY	LV	PART NUMBER	Q'TY	DESCRIPTION	REMARKS	NOTE1	NOTE2
5		351155-35430	1	COVER, HANDLE (BL)			
6		900252-04014	1	SCREW 4*14	4*14		
7		178090-30130	1	LOCKOUT, T. CONTROL			
8		178005-35431	1	CONTROL, THROTTLE			
9		178043-35430	1	SPRING, THR.RETURN			
10		900345-40030	1	PIN, SPRING 4*30SUS	4*30SUS		
11		900242-05022	2	SCREW 5*22	5*22		
12		351111-19830	1	GRIP, HANDLE			
13		351110-36030	1	HANDLE, REAR			
14		178302-12330	1	LATCH, THROTTLE			
15		100905-35430	1	CUSHION			
16		900162-05030	1	BOLT, H.S. 5*30	5*30 W,SW		
17		100905-36030	1	CUSHION			
18		900162-05012	1	BOLT, H.S. 5*12	5*12 W,SW		
19		900242-04028	2	SCREW 4*28	4*28		
20		132115-12330	1	GROMMET			
21		132010-35430	1	PIPE 3*6*230	3*6*230		
22		131205-30830	1	STRAINER, FUEL		Sus. by 131205-19830	
22		131205-19830	1	STRAINER, FUEL			
23		131010-37331	1	TANK, FUEL			
24		131004-35430	1	CAP ASSY, FUEL TANK		Sus. by P021-009140	
24		131004-35431	1	CAP ASSY, FUEL TANK		Sus. by P021-009140	
24		P021-009140	1	FUEL CAP ASY			

## 5. Handle

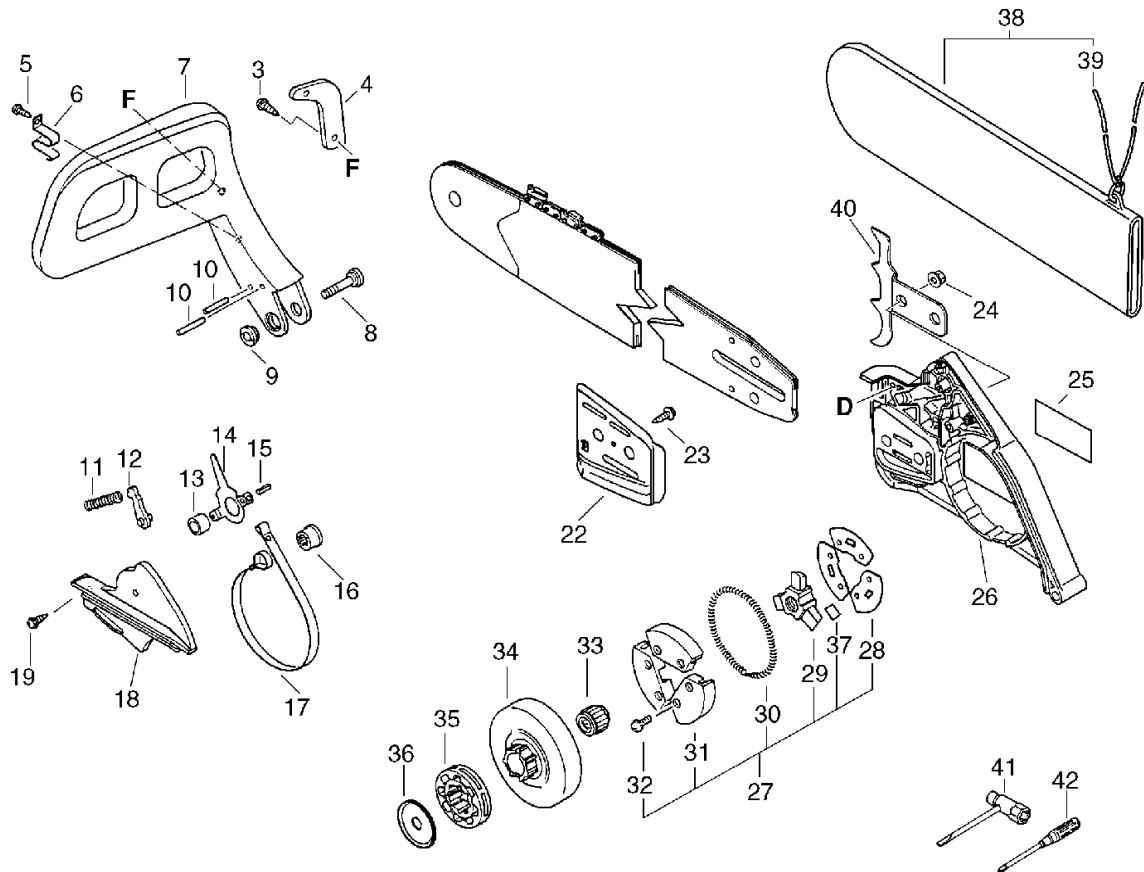
No.5



KEY	LV	PART NUMBER	Q'TY	DESCRIPTION	REMARKS	NOTE1	NOTE2
25	+	900720-00022	1	O-RING 22	P-22		
26	+	131051-19830	1	LINK	60L	Sus. by A365-000050	
26	+	A365-000050	1	CONNECTOR,CAP			
27		131910-35430	1	BRACKET, FUEL TANK			
28		131329-35431	1	GROMMET, PULSE			
29		131312-35431	1	PIPE, VENT			
30		351611-35430	1	NUT 5MM			
31		900252-05020	1	SCREW 5*20	5*20		
32		100910-35430	1	CUSHION,FRONT HANDLE			
33		100915-35430	1	SCREW			
34		100921-35430	1	CUSHION,FRONT HANDLE			
35		100915-33930	1	SCREW			
36		351610-35430	1	HANDLE, FRONT			
40		131314-35430	1	VALVE, CHECK			
41		132013-26630	1	CLIP	6.5MM		
42		900720-00006	2	O-RING 6	P-6		

## 6. Clutch, Sprocket, Tools

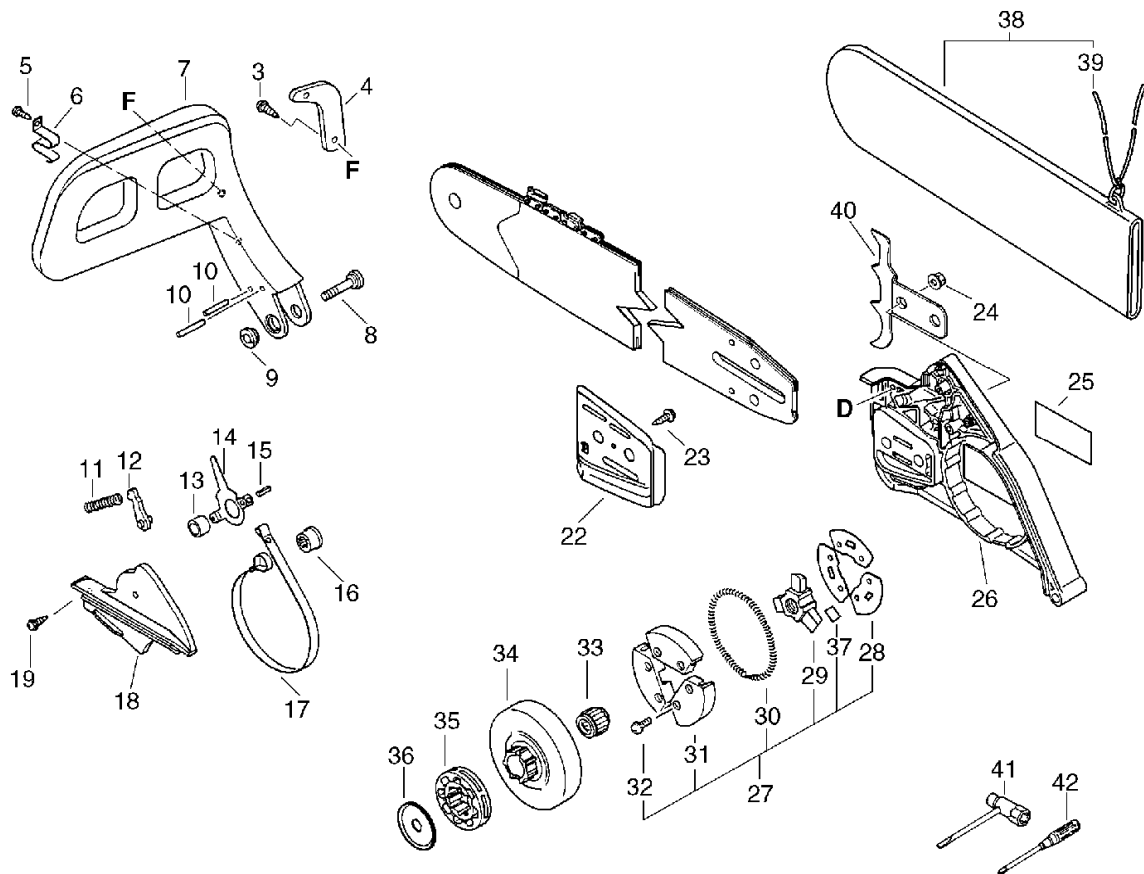
No.6



KEY	LV	PART NUMBER	Q'TY	DESCRIPTION	REMARKS	NOTE1	NOTE2
3		900267-04014	2	SCREW 4*14	4*14		
4		433171-35430	1	WEIGHT, BRAKE			
5		900252-04010	1	SCREW 4*10	4*10		
6		433114-35430	1	SPRING, RETURN			
7		433111-35430	1	LEVER, BRAKE			
8		433113-30130	1	SCREW			
9		433137-30130	1	NUT			
10		900330-30240	2	PIN 3*24	3*23.8		
11		433122-35430	1	SPRING, BRAKE			
12		433209-35430	1	STOPPER, BRAKE			
13		433116-35430	1	SPACER 8	8*12*9		
14		433208-35431	1	LEVER, BRAKE			
15	+	900330-40088	1	ROLLER 4*8.8	4*8.8		
16		433142-35430	1	ADJUSTER, BRAKE			
17		433123-35430	1	BAND, BRAKE		Sus. by C328-000060	
17		C328-000060	1	BAND, BRAKE			
18		433310-35430	1	COVER, BRAKE (BS)			
19		900252-04010	2	SCREW 4*10	4*10		
22		433013-35431	1	PLATE, GUIDE (INNER)			
23		900246-04008	1	SCREW 4*8	4*8		
24		433019-12330	2	NUT, FLANGE 8	M-8		
25		890118-38130	1	LABEL, ECHO			
26		433005-35430	1	GUARD, SPROCKET (BS)			
27		175000-35431	1	CLUTCH ASSY			
28	+	175019-19830	3	PLATE, CLUTCH			

## 6. Clutch, Sprocket, Tools

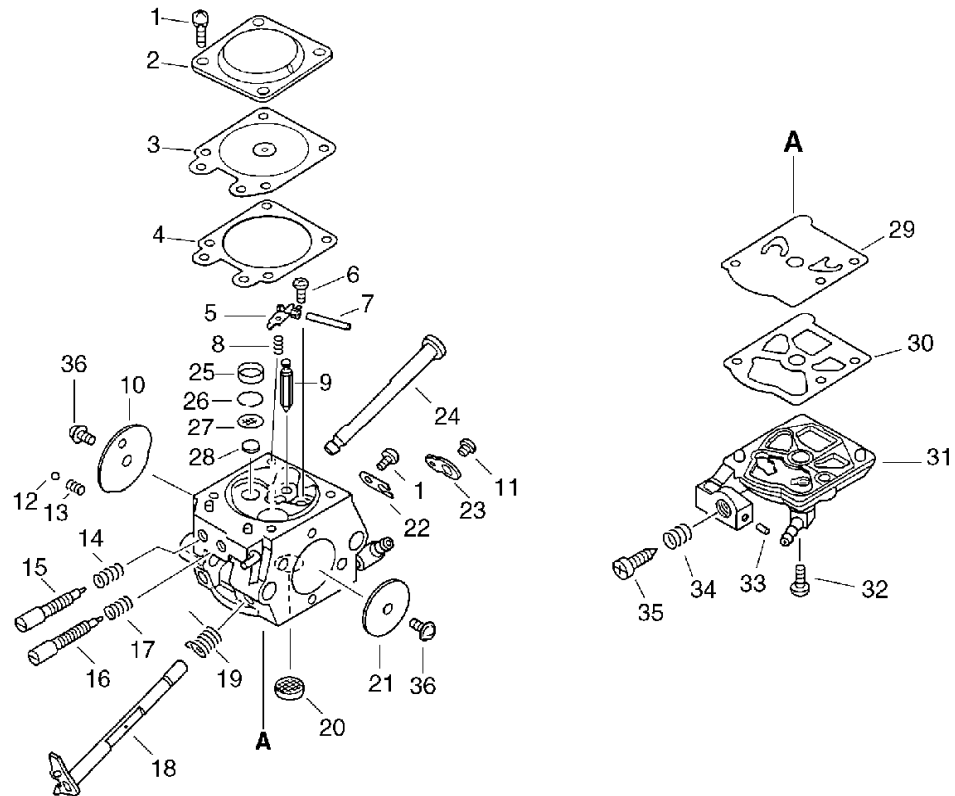
No.6



KEY	LV	PART NUMBER	Q'TY	DESCRIPTION	REMARKS	NOTE1	NOTE2
29	+	175016-35430	1	HUB, CLUTCH			
30	+	175018-19830	1	SPRING, CLUTCH			
31	+	175002-19830	1	SHOE, CLUTCH			
32	+	900105-04006	6	BOLT, H.S. 4*6	4*6		
37	+	175062-35430	3	SPACER			
33		175012-14630	1	BEARING, NEEDLE			
34		175105-35430	1	DRUM, CLUTCH			
35		175114-12530	1	SPROCKET, RIM .325			
36		175015-35430	1	WASHER, CLUTCH			
38		898513-38330	1	SCABBARD, GUIDE BAR			
39	+	898568-14530	1	ROPE	5*900		
40		880210-36030	1	BUMPER, SPIKED		Sus. by C304-000020	
40		880210-36031	1	BUMPER, SPIKED		Sus. by C304-000020	
40		C304-000020	1	SPIKED			
41		895410-02830	1	WRENCH, W/S. DRIVER			
42		895812-03930	1	DRIVER, SCREW 50			

# 7. Carburetor

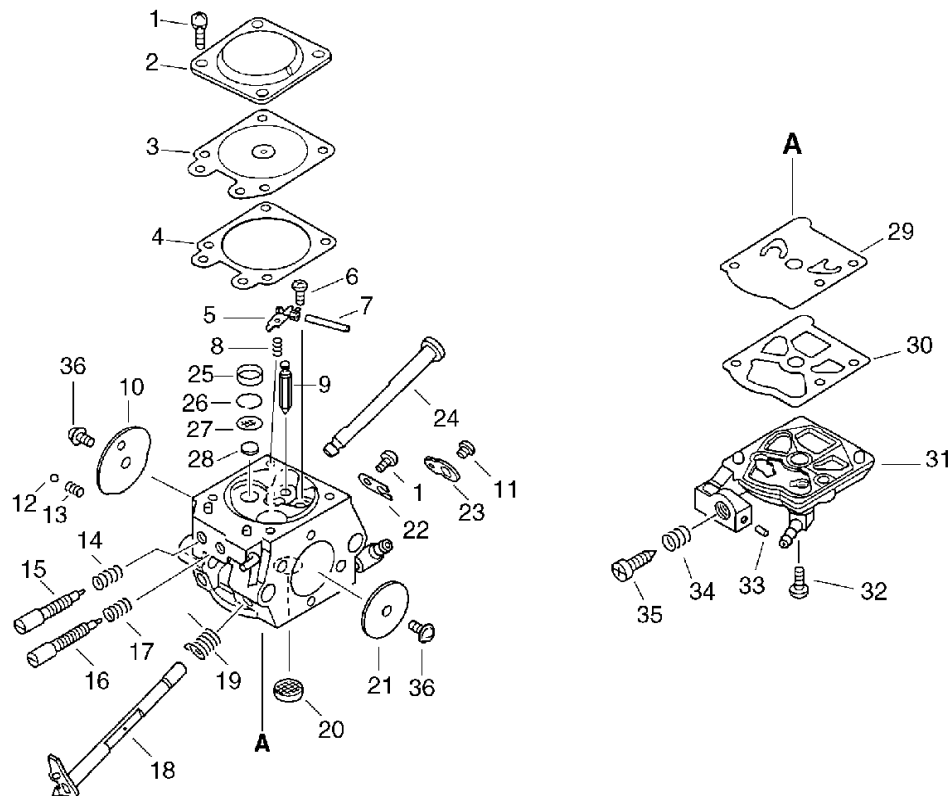
No.7



KEY	LV	PART NUMBER	Q'TY	DESCRIPTION	REMARKS	NOTE1	NOTE2
		123000-35430	1	CARBURETOR ASSY	WT-88A	CS-3600	
		123000-37332	1	CARBURETOR ASSY	WT-118B	CS-3900	
1	+	123130-02960	5	SCREW			
2	+	123142-03930	1	COVER, M. DIAPHRAGM			
3	+	123141-03930	1	DIAPHRAGM, METERING			
4	+	123140-03930	1	GASKET, M. DIAPHRAGM			
5	+	123123-03930	1	LEVER, METERING			
6	+	123139-03930	1	SCREW, M. LEVER PIN			
7	+	123138-03930	1	PIN, METERING LEVER			
8	+	123122-06530	1	SPRING, METER. LEVER		CS-3600	
8	+	123122-11130	1	SPRING, METER. LEVER		CS-3900	
9	+	123137-04260	1	VALVE, INLET NEEDLE		CS-3600	
9	+	123137-19830	1	VALVE, INLET NEEDLE		CS-3900	
10	+	123132-35430	1	VALVE, CHOKE		CS-3600	
10	+	123132-37330	1	VALVE, CHOKE		CS-3900	
11	+	123114-03930	1	SCREW		Sus. by 123114-38830	
11	+	123114-38830	1	SCREW			
12	+	123136-10630	1	BALL, CHOKE FRICTION			
13	+	123135-10630	1	SPRING, CHOKE FRICT.			
14	+	123119-22130	1	SPRING, NEEDLE			
15	+	123120-35430	1	NEEDLE, HIGH SPEED		CS-3600	
15	+	123120-37330	1	NEEDLE, HIGH SPEED		CS-3900	
16	+	123118-35430	1	NEEDLE, IDLE		CS-3600	
16	+	123118-37330	1	NEEDLE, IDLE		CS-3900	
17	+	123121-22130	1	SPRING, NEEDLE			

# 7. Carburetor

No.7



KEY	LV	PART NUMBER	Q'TY	DESCRIPTION	REMARKS	NOTE1	NOTE2
18	+	123117-35430	1	SHAFT, THROTTLE			
19	+	123113-37530	1	SPRING, THROTTLE RTN			
20	+	123126-10631	1	SCREEN, INLET			
21	+	123116-10130	1	VALVE, THROTTLE		CS-3600	
21	+	123116-10530	1	VALVE, THROTTLE		CS-3900	
22	+	123127-03930	1	CLIP, THROTTLE SHAFT			
23	+	123150-35430	1	LEVER, THROTTLE			
24	+	123131-35430	1	SHAFT, CHOKE			
25	+	123146-17330	1	PLUG, CUP		CS-3900	
26	+	123169-10630	1	RING, RETAINING		CS-3900	
27	+	123168-10631	1	SCREEN		CS-3900	
28	+	123146-10631	1	PLUG, WELCH		CS-3900	
29	+	123112-15030	1	DIAPHRAGM, FUEL PUMP			
30	+	123125-15030	1	GASKET, FUEL PUMP			
31	+	123124-35430	1	COVER, FUEL PUMP			
32	+	123110-03930	1	SCREW, PUMP COVER			
33	+	123178-15030	1	PLUG, FRICTION			
34	+	123133-04260	1	SPRING, IDLE ADJUST			
35	+	123134-04260	1	SCREW, IDLE ADJUST			
36	+	123114-38830	2	SCREW			

**Index**

<b>Patrs Number</b>	<b>Key No.</b>	<b>Patrs Number</b>	<b>Key No.</b>	<b>Patrs Number</b>	<b>Key No.</b>
100000-35430	1 - 27	123120-35430	7 - 15	131205-19830	5 - 22
100000-35431	1 - 27	123120-37330	7 - 15	131205-30830	5 - 22
100000-37330	1 - 27	123121-22130	7 - 17	131312-35431	5 - 29
100000-37331	1 - 27	123122-06530	7 - 8	131314-35430	5 - 40
100011-13330	1 - 28	123122-11130	7 - 8	131329-35431	5 - 28
100011-37330	1 - 28	123123-03930	7 - 5	131910-35430	5 - 27
100012-35430	1 - 29	123124-35430	7 - 31	132010-35430	5 - 21
100012-35430	1 - 29	123125-15030	7 - 30	132013-26630	5 - 41
100013-35430	1 - 30	123126-10631	7 - 20	132115-01461	3 - 8
100013-35430	1 - 30	123127-03930	7 - 22	132115-12330	1 -
100015-03930	1 - 31	123130-02960	7 - 1	132115-12330	4 - 17
100015-03930	1 - 31	123131-35430	7 - 24	132115-12330	5 - 20
100015-03931	1 - 31	123132-35430	7 - 10	132115-35430	2 - 21
100015-03931	1 - 31	123132-37330	7 - 10	145510-35431	2 - 25
100101-35430	1 - 33	123133-04260	7 - 34	145711-35430	2 - 28
100142-39130	1 - 32	123134-04260	7 - 35	145711-60631	2 - 28
100142-42030	1 - 32	123135-10630	7 - 13	145810-35430	2 - 26
100202-35431	1 - 25	123136-10630	7 - 12	150110-35430	3 - 34
100202-37331	1 - 25	123137-04260	7 - 9	150640-37330	1 -
100213-38330	1 - 34	123137-19830	7 - 9	150640-37330	3 - 31
100905-35430	5 - 15	123138-03930	7 - 7	156601-35430	3 - 9
100905-36030	5 - 17	123139-03930	7 - 6	156601-37330	3 - 9
100910-35430	5 - 32	123140-03930	7 - 4	156613-13930	3 - 4
100915-33930	5 - 35	123141-03930	7 - 3	156621-35430	2 - 19
100915-35430	5 - 33	123142-03930	7 - 2	156630-35430	2 - 20
100921-35430	5 - 34	123146-10631	7 - 28	156630-37330	2 - 20
101520-35430	1 - 9	123146-17330	7 - 25	156635-37330	1 -
101520-35430	1 -	123150-35430	7 - 23	156635-37330	3 - 32
101535-37330	3 - 18	123168-10631	7 - 27	156800-35430	3 - 11
104008-37330	1 - 8	123169-10630	7 - 26	156800-37330	3 - 11
104008-37330	1 - *	123178-15030	7 - 33	159011-03432	3 - 6
104012-35430	1 - 6	130010-35430	2 - 30	159012-01620	3 - 7
104016-35430	1 - 7	130302-35430	2 - 4	159017-10230	3 - 5
123000-35430	2 - 23	130305-35430	2 - 8	163400-35430	2 - 16
123000-35430	7 -	130320-35430	2 - 10	175000-35431	6 - 27
123000-37332	2 - 23	130325-32330	2 - 24	175002-19830	6 - 31
123000-37332	7 -	130405-35430	2 - 18	175012-14630	6 - 33
123110-03930	7 - 32	130406-33331	2 - 5	175015-35430	6 - 36
123112-15030	7 - 29	130414-35430	2 - 9	175016-35430	6 - 29
123113-37530	7 - 19	130414-37330	2 - 6	175018-19830	6 - 30
123114-03930	7 - 11	130510-35430	1 - 40	175019-19830	6 - 28
123114-38830	7 - 11	130510-37330	1 - 40	175062-35430	6 - 37
123114-38830	7 - 36	130516-35430	1 - 41	175105-35430	6 - 34
123116-10130	7 - 21	131004-35430	5 - 24	175114-12530	6 - 35
123116-10530	7 - 21	131004-35431	5 - 24	177200-35434	3 - 19
123117-35430	7 - 18	131010-37331	5 - 23	177214-02830	3 - 21
123118-35430	7 - 16	131050-19830	1 - 17	177215-35430	3 - 23
123118-37330	7 - 16	131051-19830	1 - 15	177218-35430	3 - 16
123119-22130	7 - 14	131051-19830	5 - 26	177220-35430	3 - 25



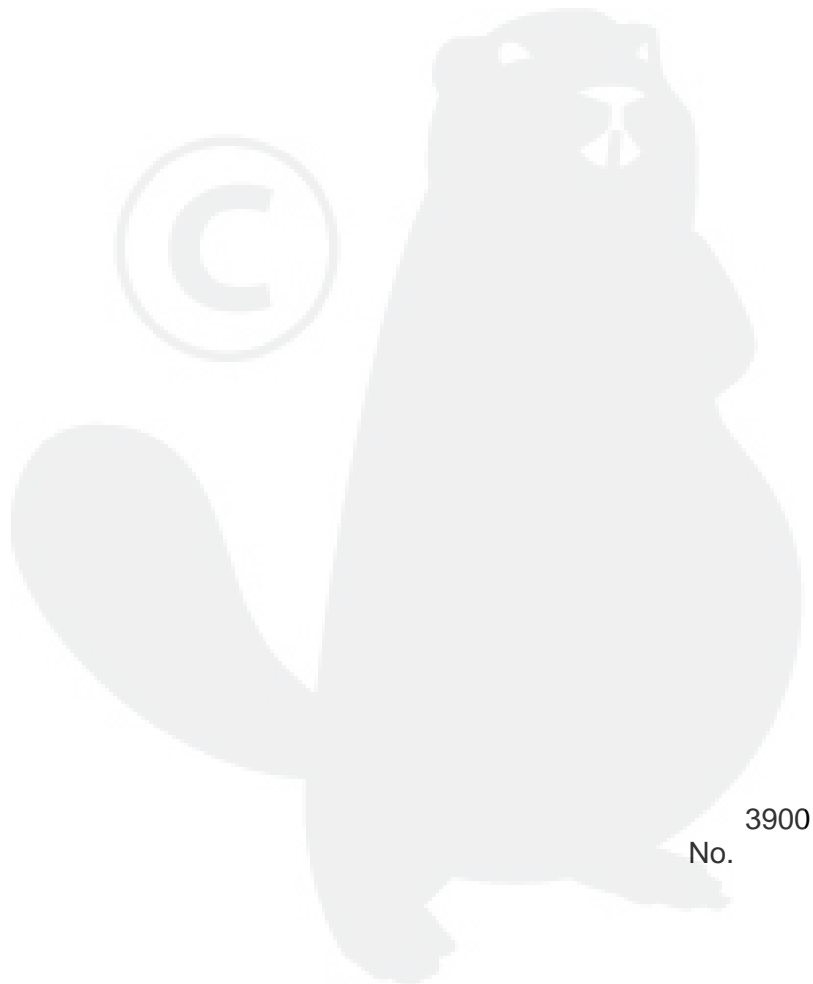
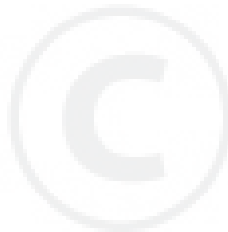
**Index**

<b>Patrs Number</b>	<b>Key No.</b>	<b>Patrs Number</b>	<b>Key No.</b>	<b>Patrs Number</b>	<b>Key No.</b>
177221-35430	3 - 24	437063-35430	1 - 36	900267-04014	6 - 3
177226-11130	3 - 22	437063-35430	4 - 10	900296-03014	3 - 28
177227-37930	3 - 27	437210-35430	4 - 7	900330-30240	6 - 10
177228-35430	3 - 26	437211-16431	2 - 22	900330-40088	6 - 15
177234-35430	3 - 13	437211-35430	4 - 5	900345-40030	5 - 10
177247-04630	3 - 15	437411-19830	4 - 4	900500-00008	3 - 12
178005-35431	5 - 8	437803-35430	4 - 13	900603-00005	3 - 14
178011-35430	2 - 14	880210-36030	6 - 40	900605-00008	3 - 35
178043-35430	5 - 9	880210-36031	6 - 40	900720-00006	5 - 42
178090-30130	5 - 7	890118-35430	3 - 30	900720-00011	2 - 7
178114-35430	2 - 15	890118-38130	6 - 25	900720-00022	5 - 25
178302-12330	5 - 14	890118-49330	3 - 30	900725-02025	1 - 18
178510-35430	2 - 12	890157-39130	2 - 17	900810-36201	1 - 35
351110-36030	5 - 13	890316-39130	1 - 38	94035-36201	1 - 35
351111-19830	5 - 12	890345-39230	1 - 37	A365-000050	1 - 15
351155-35430	5 - 5	890370-35430	2 - 3	A365-000050	5 - 26
351610-35430	5 - 36	890370-38330	2 - 3	C304-000020	6 - 40
351611-35430	5 - 30	895410-02830	6 - 41	C328-000060	6 - 17
433000-35430	1 - 4	895812-03930	6 - 42	P021-009130	1 - 14
433005-35430	6 - 26	898513-38330	6 - 38	P021-009140	5 - 24
433011-19830	1 - 10	898568-14530	6 - 39		
433011-19830	1 -	900105-04006	6 - 32		
433013-35431	6 - 22	900162-04012	3 - 10		
433014-03931	1 - 11	900162-04016	4 - 6		
433016-35430	1 - 12	900162-05012	5 - 18		
433019-12330	6 - 24	900162-05014	3 - 17		
433111-35430	6 - 7	900162-05018	2 - 27		
433113-30130	6 - 8	900162-05020	2 - 27		
433114-35430	6 - 6	900162-05025	1 - 26		
433116-35430	6 - 13	900162-05025	1 - 26		
433122-35430	6 - 11	900162-05030	1 - 19		
433123-35430	6 - 17	900162-05030	5 - 16		
433137-30130	6 - 9	900220-04008	3 - 33		
433142-35430	6 - 16	900238-04008	2 - 29		
433171-35430	6 - 4	900242-04008	2 - 31		
433208-35431	6 - 14	900242-04028	5 - 19		
433209-35430	6 - 12	900242-05012	3 - 20		
433310-35430	6 - 18	900242-05022	5 - 11		
436001-19832	1 - 14	900246-03008	1 - 16		
436001-19833	1 - 14	900246-04008	6 - 23		
436114-13930	1 - 13	900252-04010	6 - 5		
436114-13930	1 -	900252-04010	6 - 19		
436205-14730	4 - 8	900252-04014	5 - 6		
437000-35432	4 - 9	900252-05020	1 - 5		
437006-35430	4 - 12	900252-05020	1 - 5		
437009-35430	4 - 16	900252-05020	2 - 13		
437019-35430	4 - 15	900252-05020	3 - 29		
437020-35430	4 - 14	900252-05020	5 - 31		
437062-35431	4 - 11	900252-05055	2 - 11		

# YAMABIKO CORPORATION

7-2 SUEHIROCHO 1-CHOME, OHME, TOKYO 198-8760, JAPAN  
PHONE: 81-428-32-6118. FAX: 81-428-32-6145.

**ECHO**®



3900  
No.