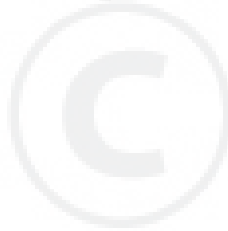




PARTS CATALOG

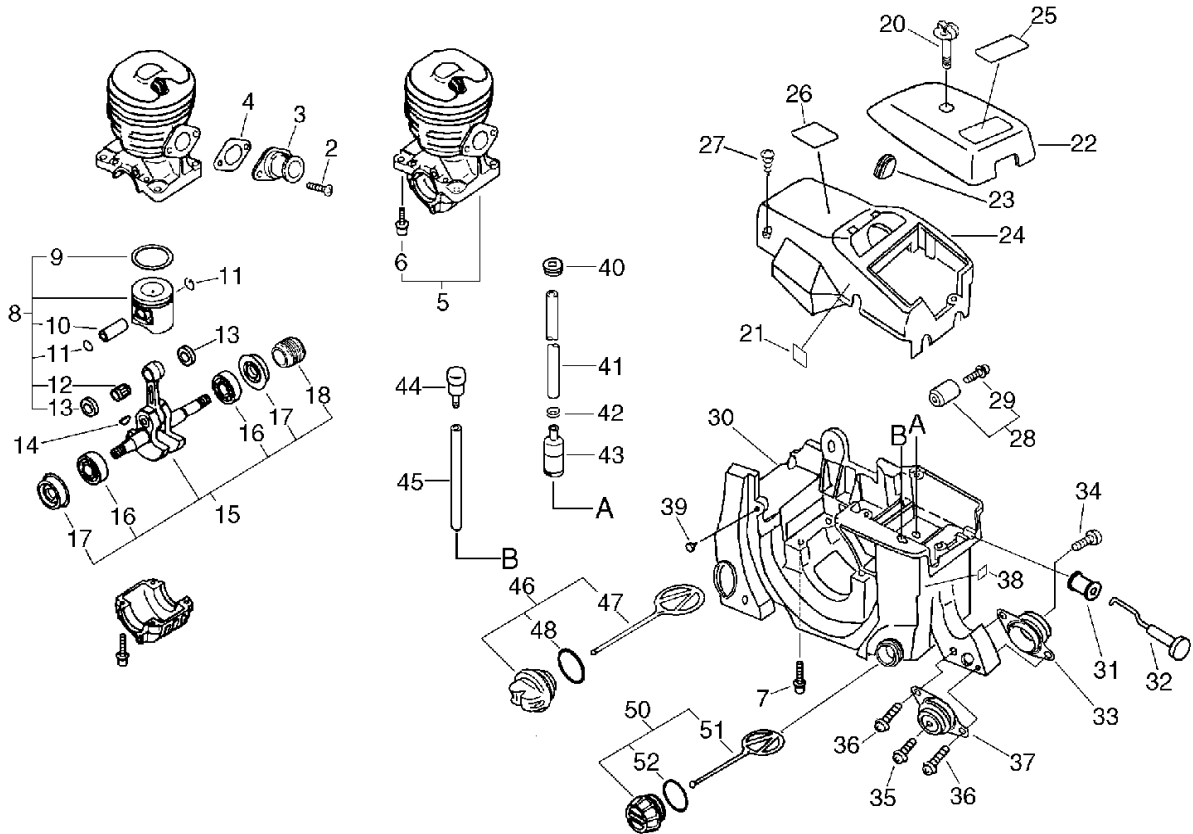
CHAIN SAW

CS-3500(6digits)(35)(36)



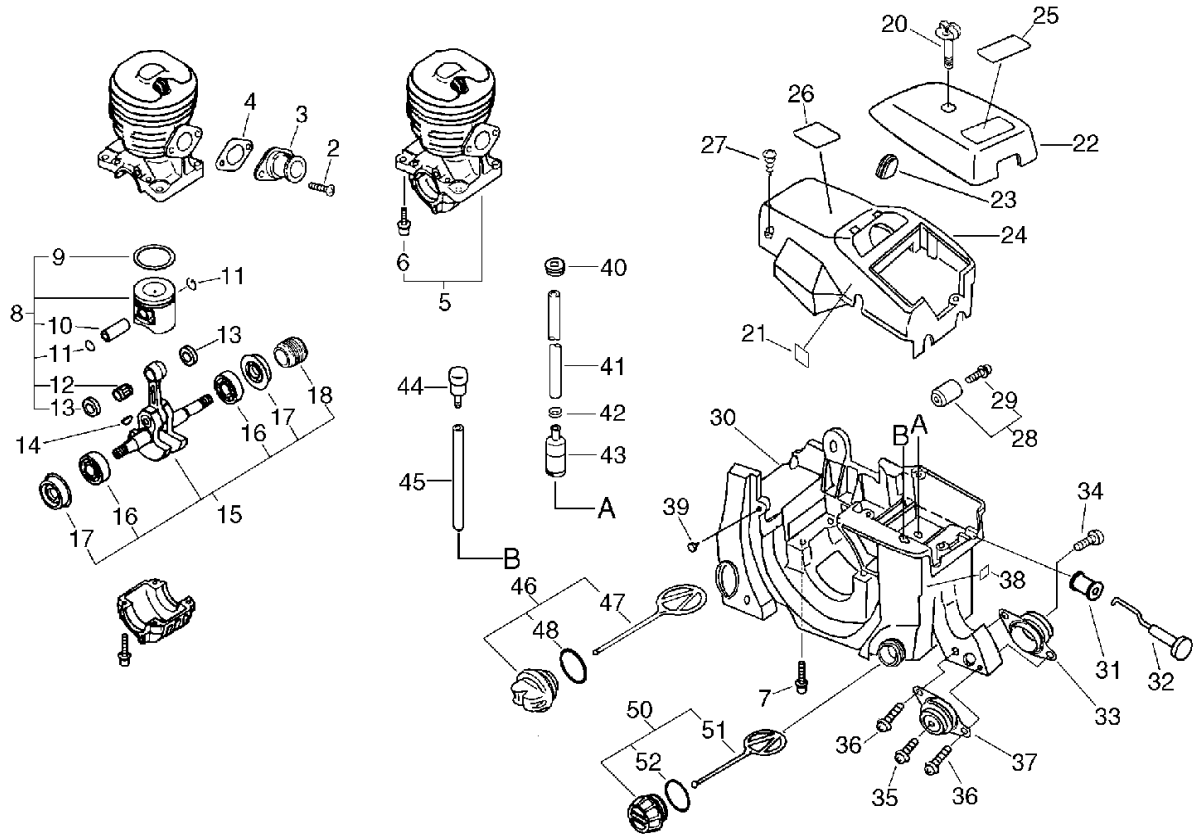
CS-3500(6digits)(35)(36)

1. Cylinder, Crankcase, Piston



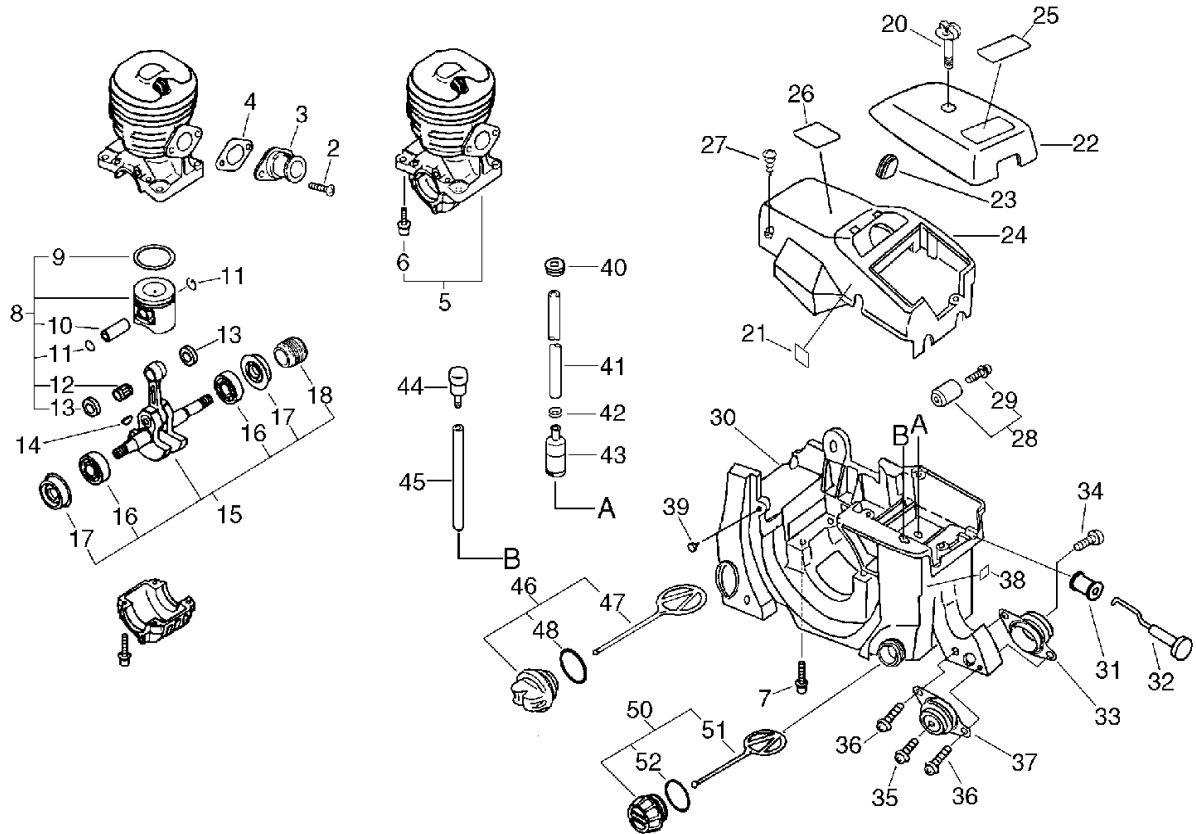
KEY	LV	PART NUMBER	Q'TY	DESCRIPTION	REMARKS	NOTE1	NOTE2
2		900238-05012	2	SCREW 5*12	5*12		
3		130510-39930	1	ADAPTER, INTAKE		Sus. by 130510-39932	
3		130510-39931	1	ADAPTER, INTAKE		Sus. by 130510-39932	
3		130510-39932	1	ADAPTER, INTAKE			
4		130016-39930	1	GASKET, INTAKE			
5		P021-000800	1	CRANKCASE SET		Sus. by P021-000803	
5		P021-000802	1	CRANKCASE SET		Sus. by P021-000803	
5		P021-000803	1	CRANKCASE SET			
6	+	900162-05022	4	BOLT, H.S. 5*22	5*22 W,SW		
7		900162-05030	4	BOLT, H.S. 5*30	5*30 W,SW		
8		100000-60930	1	PISTON KIT		Sus. by 100000-60931	
8		100000-60931	1	PISTON KIT			
9	+	100011-01110	1	RING, PISTON			
10	+	100013-15330	1	PIN, PISTON	5.5*8*29		
11	+	100015-04630	2	CIRCLIP, PISTON PIN			
12	+	100012-22330	1	BEARING, NEEDLE		Sus. by V553-000040	
12	+	V553-000040	1	BEARING,NEEDLE 8	8E-KV8X11X11.8XS		
13	+	100014-60930	2	SPACER, PISTON PIN			
14		100142-12330	1	KEY, WOODRUFF			

1. Cylinder, Crankcase, Piston



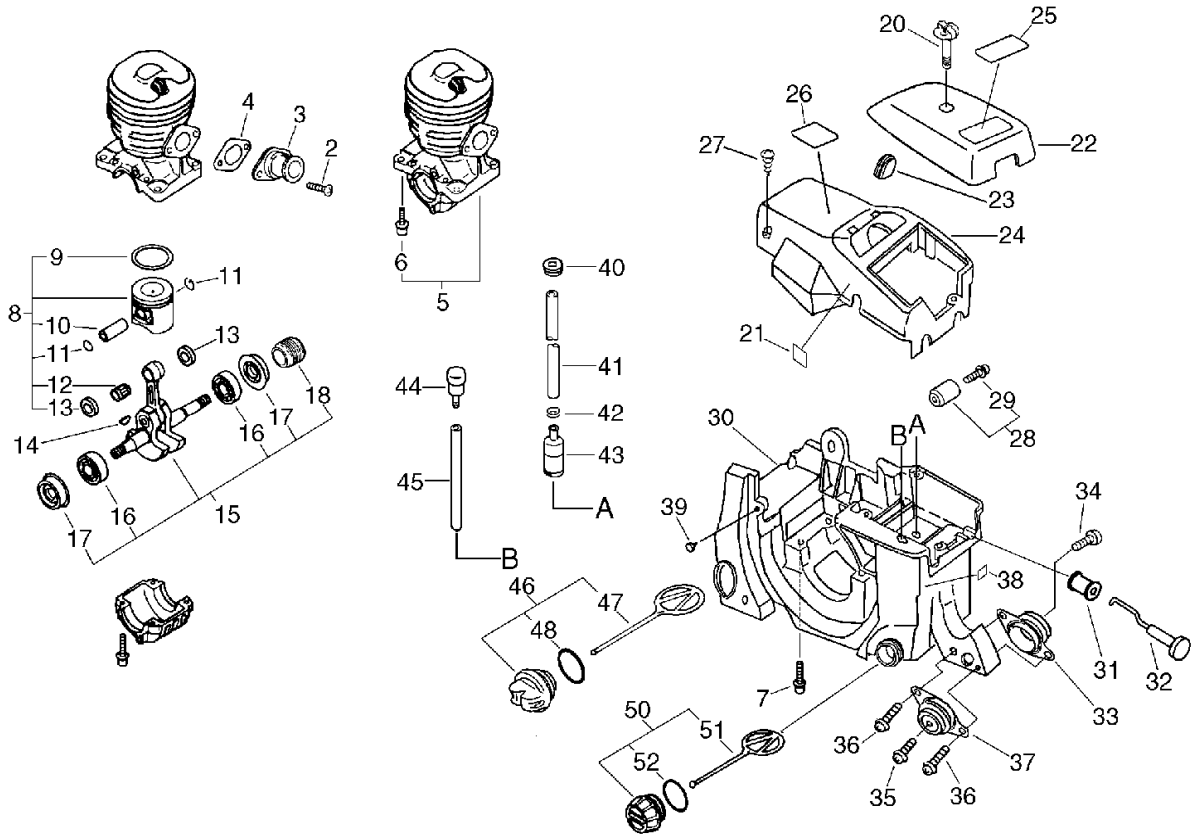
KEY	LV	PART NUMBER	Q'TY	DESCRIPTION	REMARKS	NOTE1	NOTE2
15		100101-60931	1	CRANKSHAFT ASY		Sr/Nr 031235 and before	
15		P021-006850	1	CRANKSHAFT ASY		Sus. by P021-006852	
15		P021-006851	1	CRANKSHAFT ASY		Sus. by P021-006852	
15		P021-006852	1	CRANKSHAFT ASY		Sr/Nr 031236 and after	
16	+	900810-36201	2	BEARING, BALL 6201	6201/C3	Sus. by 94035-36201	
16	+	94035-36201	2	BEARING BALL	6201X3JR2C3		
17	+	100213-38330	2	OILSEAL	15Z=12*35*6.4	Sr/Nr 031235 and before	
17	+	V505-000010	2	SEAL,OIL 12		Sr/Nr 031236 and after	
18	+	437063-35630	1	GEAR, WORM			
20		A235-000010	1	KNOB,CLEANER LID			
21		890631-38130	1	LABEL, CAUTION			
22		A232-000010	1	LID,CLEANER			
23		130338-32430	1	PLUG, COVER			
24		101514-60931	1	COVER, CYLINDER		Sus. by 101514-60932	
24		101514-60932	1	COVER, CYLINDER		Sus. by 101514-60933	
25		X503-000270	1	LABEL,MODEL	CS-3500	Sus. by X503-008810	

1. Cylinder, Crankcase, Piston



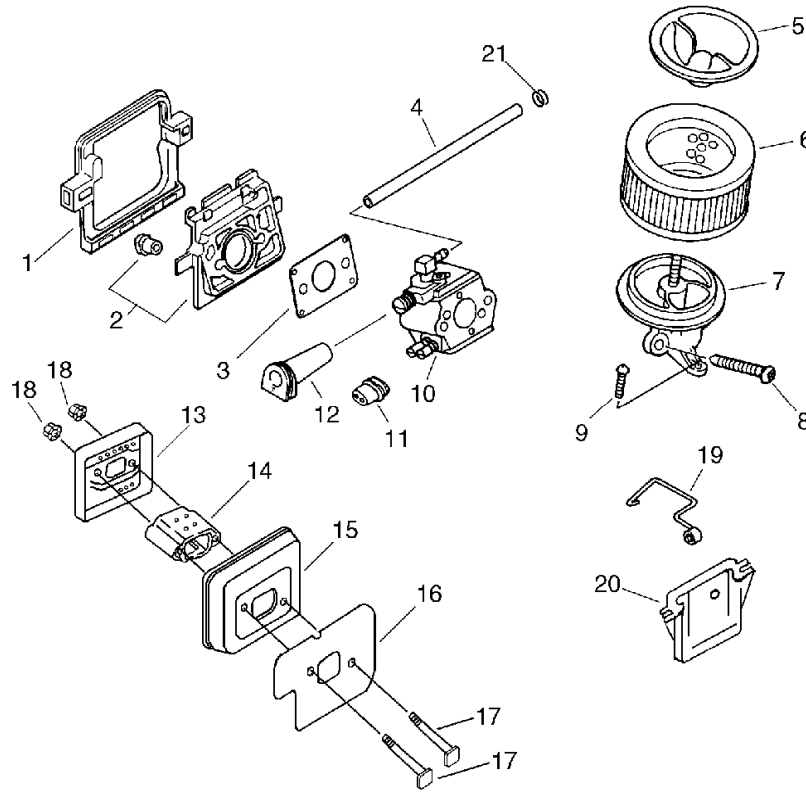
KEY	LV	PART NUMBER	Q'TY	DESCRIPTION	REMARKS	NOTE1	NOTE2
26		890345-39230	1	LABEL,CAUTION			
27		900256-04016	3	SCREW 4*16	4*16		
28		433000-60930	1	CATCHER KIT, CHAIN			
29	+	900253-05020	1	SCREW 5*20	5*20		
30		104005-60932	1	COVER,ENGINE		Sus. by 104005-60933	
30		104005-60933	1	COVER,ENGINE		Sus. by 104005-60934	
31		178810-60930	1	GROMMET, CHOKE			
32		178510-38330	1	ROD, CHOKE		Sus. by A241-000100	
32		178510-38331	1	ROD, CHOKE		Sus. by A241-000100	
32		A241-000100	1	KNOB, CHOKE			
33		100905-35430	1	CUSHION			
34		900238-05025	1	SCREW 5*25	5*25		
35		900238-05014	1	SCREW 5*14	5*14		
36		900238-04022	2	SCREW 4*22	4*22		
37		100905-36030	1	CUSHION			
38		890157-39130	1	LABEL, SWITCH			
39		436114-13930	1	VALVE, CHECK			
40		132115-04920	1	GROMMET			
41		132010-38330	1	PIPE, FUEL	3*6	Sus. by 132010-38331	
41		132010-38331	1	PIPE	3*6*165		
42		132013-26630	1	CLIP	6.5MM		

1. Cylinder, Crankcase, Piston



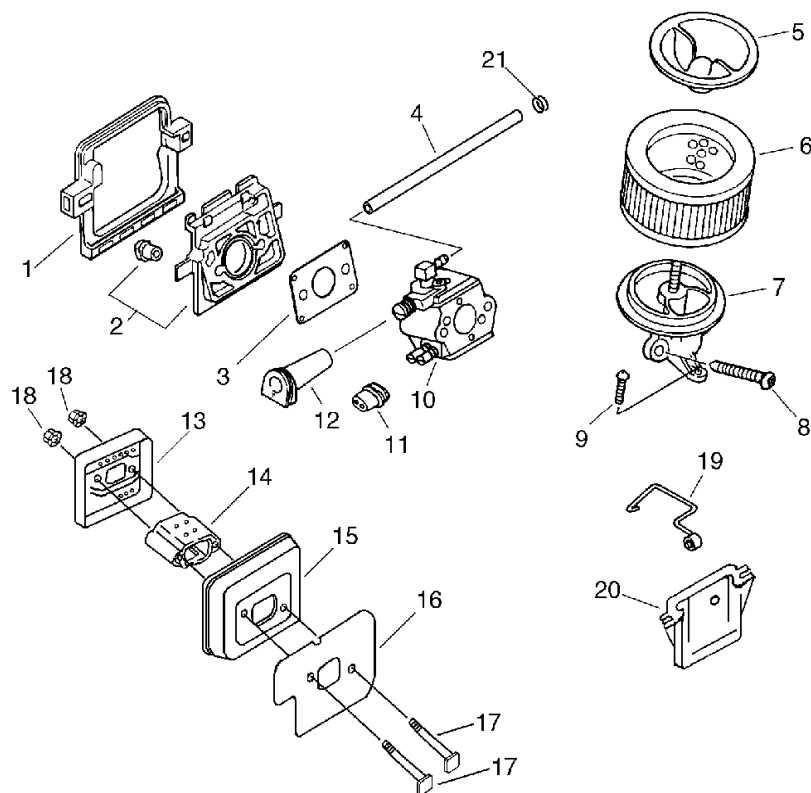
KEY	LV	PART NUMBER	Q'TY	DESCRIPTION	REMARKS	NOTE1	NOTE2
43		131205-14930	1	STRAINER,FUEL			
44		131300-56430	1	VALVE, CHECK			
45		132012-52030	1	PIPE 3*5*50	3*5*50 NBR	Sus. by V471-001220	
45		V471-001220	1	PIPE	3*5*50 NBR		
46		436001-39131	1	CAP ASSY, TANK		Sus. by P021-007630	
46		P021-007630	1	CAP ASY,TANK			
47	+	131051-19830	1	LINK	60L	Sus. by A365-000050	
47	+	A365-000050	1	CONNECTOR,CAP			
48	+	900725-02025	1	O-RING	JASO 2025	Sus. by 900721-00025	
48	+	900721-00025	1	O-RING 25	G-25		
50		131004-37931	1	CAP ASSY, FUEL TANK		Sus. by 131004-37932	
50		131004-37932	1	CAP ASY, FUEL			
51	+	131051-19830	1	LINK	60L	Sus. by A365-000050	
51	+	A365-000050	1	CONNECTOR,CAP			
52	+	900720-00022	1	O-RING 22	P-22		

2. Air Cleaner, Muffler



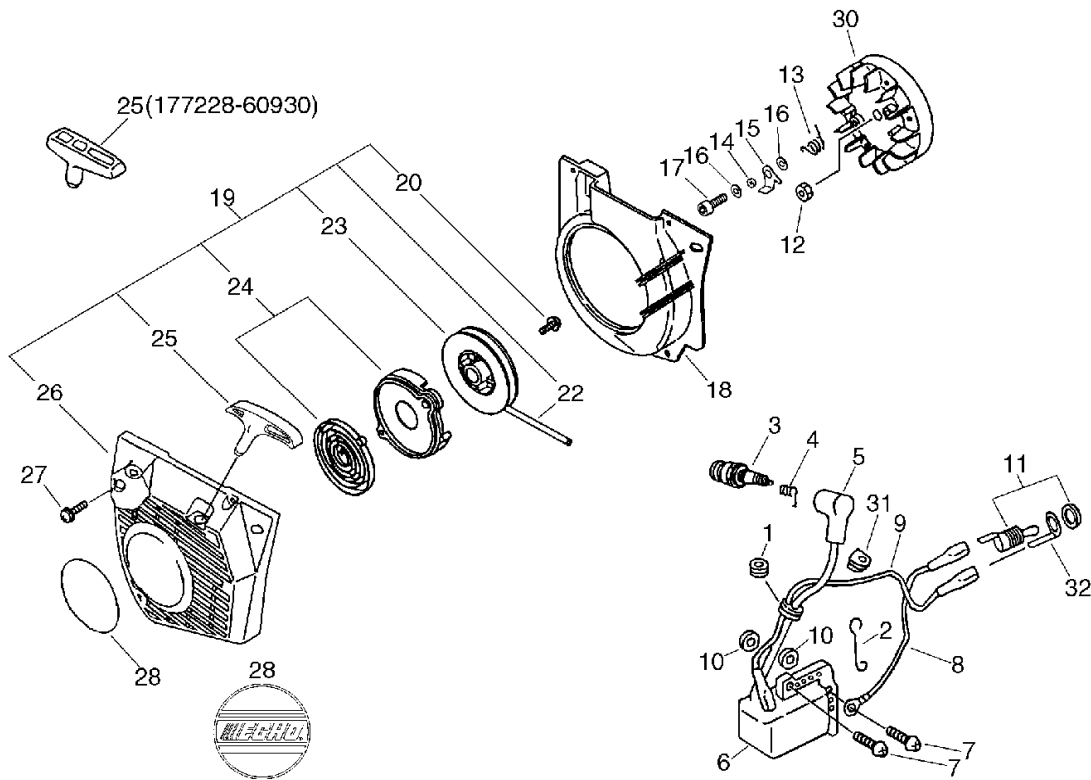
KEY	LV	PART NUMBER	Q'TY	DESCRIPTION	REMARKS	NOTE1	NOTE2
1		130366-39930	1	CUSHION			
2		130007-39930	1	INSULATOR		Sus. by 130007-39931	
2		130007-39931	1	INSULATOR		Sus. by 130007-39932	
3		130010-38330	1	GASKET, INTAKE			
4		130110-54430	1	PIPE, IMPULSE	3*6*105 NBR		
5		130405-38331	1	BRACKET, AIR CLEANER		Sus. by 130405-38332	
5		130405-38332	1	BRACKET, AIR CLEANER		Sus. by 130405-38333	
6		130300-39730	1	CLEANER ASM., AIR			
7		130301-39930	1	CASE, AIR CLEANER		Sus. by 130301-39935	
7		130301-39931	1	ADAPTER, INTAKE		Sus. by 130301-39935	
7		130301-39932	1	ADAPTER, INTAKE		Sus. by 130301-39935	
7		130301-39933	1	ADAPTER, INTAKE	ID #1230	Sus. by 130301-39935	
7		130301-39934	1	ADAPTER, INTAKE	ID #1230	Sus. by 130301-39935	
7		130301-39935	1	ADAPTER, INTAKE	ID #1230		
8		900238-05050	2	SCREW 5*50	5*50		
9		900253-05020	1	SCREW 5*20	5*20	Sus. by 900253-05016	

2. Air Cleaner, Muffler



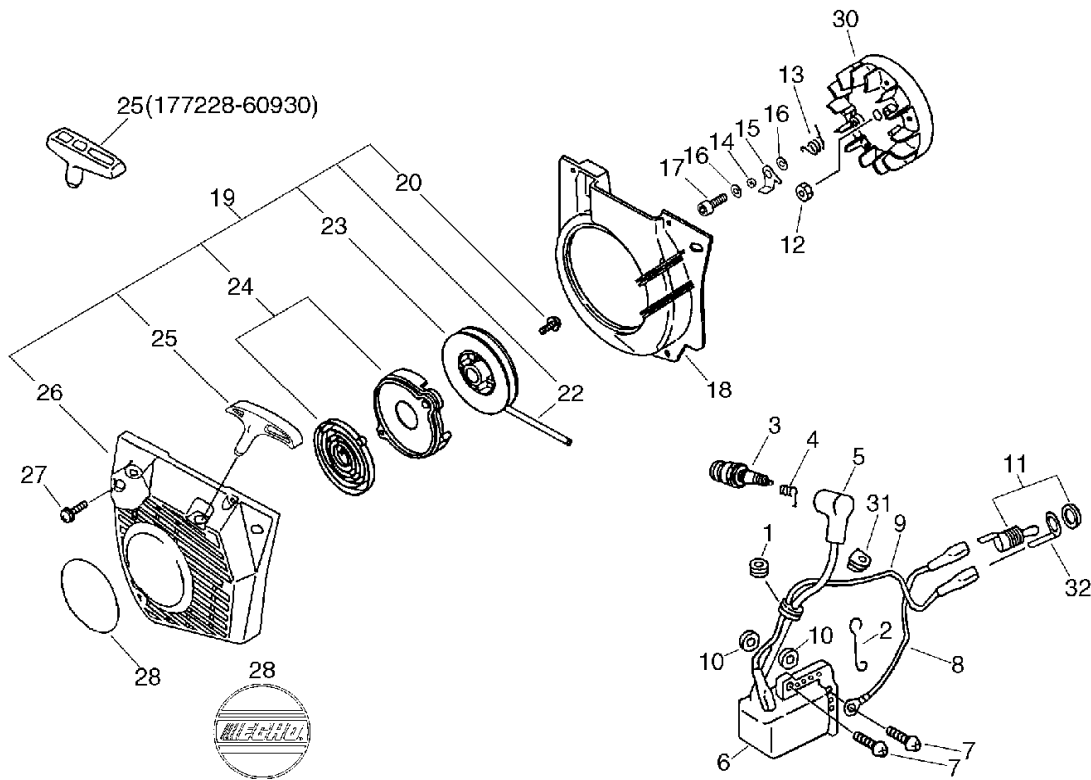
KEY	LV	PART NUMBER	Q'TY	DESCRIPTION	REMARKS	NOTE1	NOTE2
9		900253-05016	1	SCREW	5*16		
10		123000-60930	1	CARBURETOR ASSY	WT-504	Sr/Nr 033317 and before	
10		A021-000870	1	CARBURETOR,DIAPHRAGM	WT-700	Sr/Nr 36001001 and after	
11		129010-33330	1	GROMMET		Sr/Nr 033317 and before	
12		129015-60931	1	GROMMET			
13		145861-60930	1	LID, MUFFLER		Sus. by P021-009070	
13		P021-009070	1	LID, MUFFLER			
14		145614-60930	1	PLATE,MUFFLER			
15		145610-60930	1	MUFFLER			
16		145510-60930	1	GASKET, MUFFLER			
17		101023-60930	2	BOLT,5 5*60	5*60		
18		900516-00005	2	NUT, FRANGE 5	5		
19		178011-61530	1	ROD, THROTTLE			
20		178112-60930	1	GUIDE, THROTTLE BL		Sus. by 178112-60931	
20		178112-60931	1	GUIDE, THROTTLE			
21		132013-09820	1	CLIP	6MM		

3. Starter, Magneto



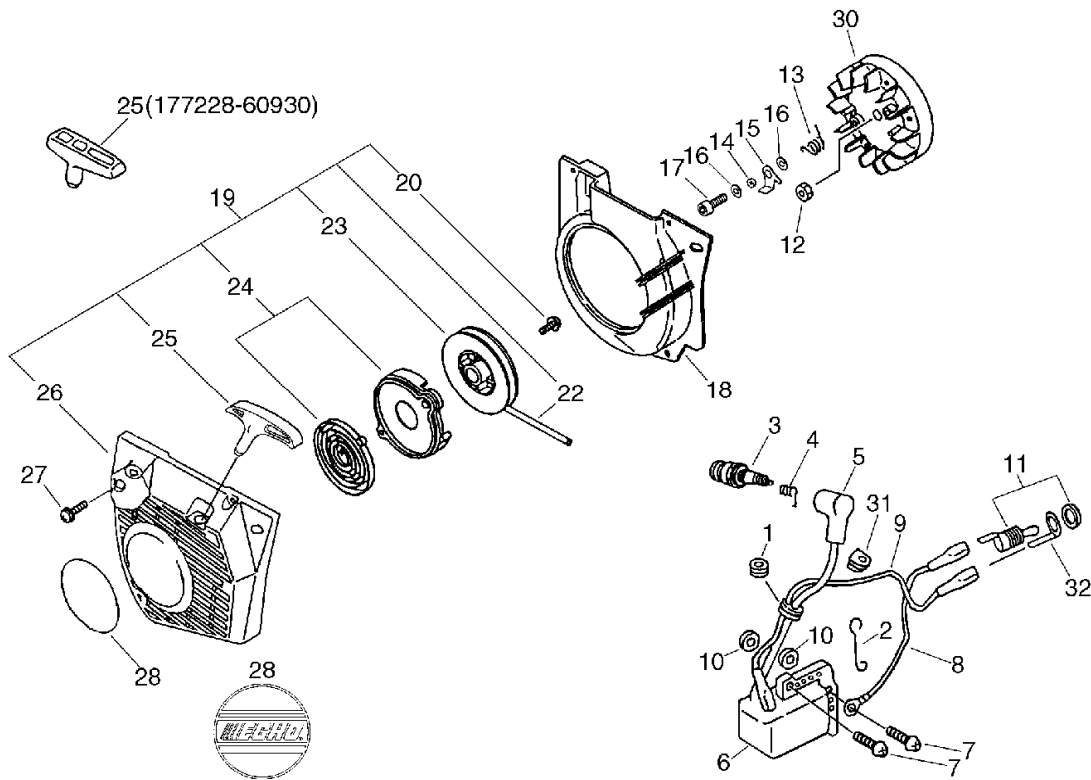
KEY	LV	PART NUMBER	Q'TY	DESCRIPTION	REMARKS	NOTE1	NOTE2
1		151112-04630	1	BUSHING			
2		159118-60930	1	GUIDE, CORD			
3		159010-10230	1	PLUG, SPARK (BPMR-7A)	BPMR-7A		
4		159011-03432	1	COIL, SPARK PLUG			
5		159012-01620	1	CAP, SPARK PLUG			
6		156626-60930	1	COIL, IGNITION	EMG-48		
7		900238-05025	2	SCREW 5*25	5*25		
8		162010-60930	1	LEAD	125L		
9		162021-52130	1	LEAD	210L		
10		150117-16430	2	SPACER			
11		163400-35430	1	SWITCH, IGNITION			
12		900515-00008	1	NUT, FLANGE 8	8		
13		177234-35430	2	SPRING, RETURN			
14		177247-04630	2	SPACER, RATCHET	5.2*8*2.1		
15		177218-35631	2	PAWL, STARTER		Sus. by A514-000000	
15		A514-000000	2	PAWL			
16		900603-00005	2	WASHER 5	5.5*12*0.8	Sus. by 900603-00005 Q'TY:4	
16		900603-00005	4	WASHER 5	5.5*12*0.8		
17		900216-05012	2	SCREW 5*12	5*12	Sus. by V203-000090	
17		900105-05014	2	BOLT, H.S. 5*14	5*14	Sus. by V203-000090	
17		V203-000090	2	BOLT,5	M5*14		

3. Starter, Magneto



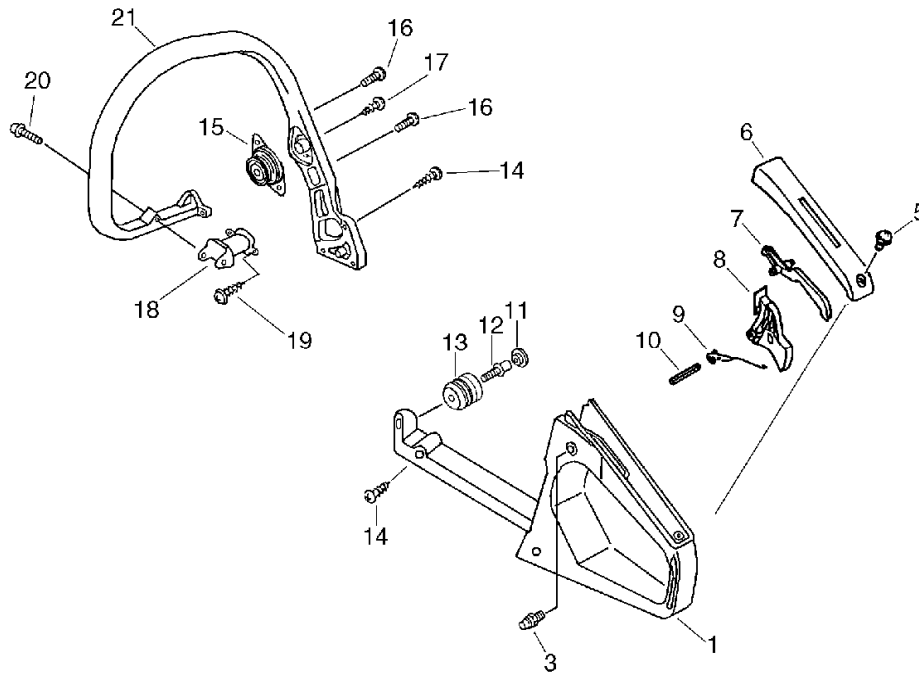
KEY	LV	PART NUMBER	Q'TY	DESCRIPTION	REMARKS	NOTE1	NOTE2
18		101511-60930	1	COVER, FAN BL		Sus. by 101511-60931	
18		101511-60931	1	COVER, FAN			
19		177200-60930	1	STARTER ASSY		Sus. by 177200-60932	
19		177200-60931	1	STARTER, RECOIL		Sus. by 177200-60932	
19		177200-60932	1	STARTER, RECOIL		Sus. by 177200-60933	
20	+	177236-44330	1	SCREW			
22	+	177226-60930	1	ROPE, STARTER	3*890		
23	+	177215-60930	1	DRUM, STARTER			
24	+	177203-60930	1	SPRING KIT, REWIND			
25	+	177228-60930	1	GRIP, STARTER		Can be used on the 177200-60930 only	
25	+	P022-001320	1	GRIP, STARTER		Can be used on the 177200-60931 and after	
26	+	P022-008251	1	CASE, STARTER			
27		900256-04016	4	SCREW 4*16	4*16		
28		890118-49330	1	LABEL, ECHO		Sus. by X502-000410	
30		156800-60930	1	ROTOR, MAGNETO	EMG-48		
31		150112-04930	1	BUSHING			

3. Starter, Magneto



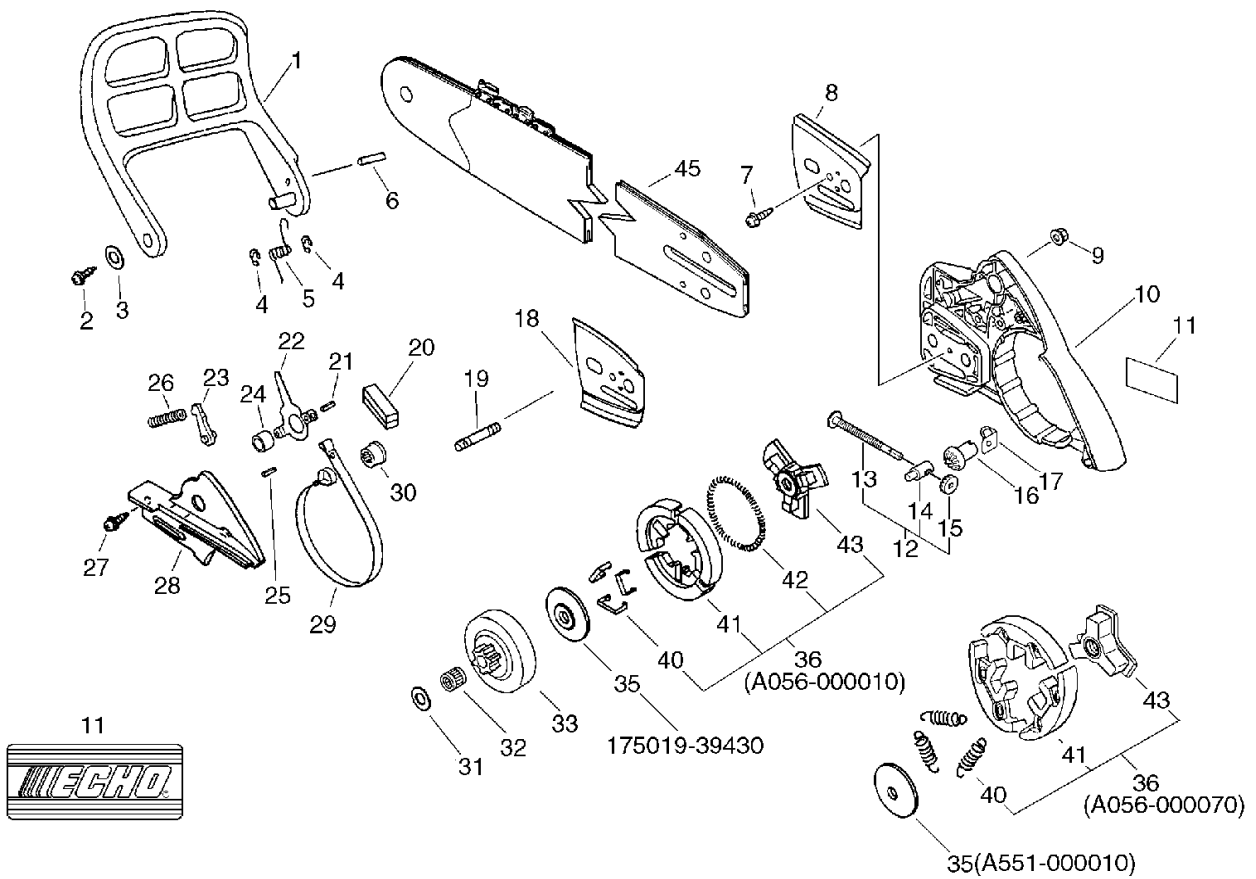
KEY	LV	PART NUMBER	Q'TY	DESCRIPTION	REMARKS	NOTE1	NOTE2
32		168114-60930	1	TERMINAL, LEAD			

4. Handle



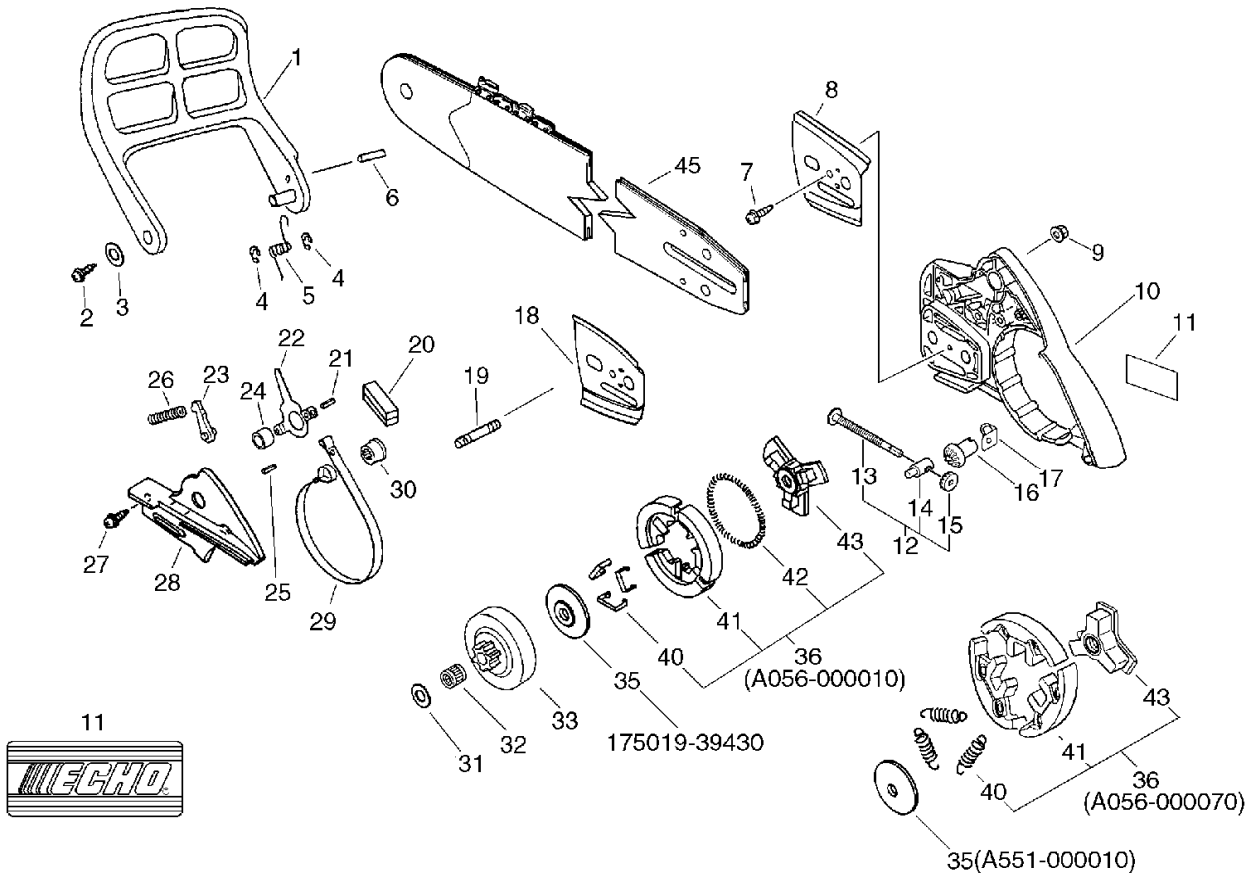
KEY	LV	PART NUMBER	Q'TY	DESCRIPTION	REMARKS	NOTE1	NOTE2
1		351110-60930	1	HANDLE, REAR			Sus. by 351110-60932
1		351110-60931	1	HANDLE, REAR			Sus. by 351110-60932
1		351110-60932	1	HANDLE, REAR			
3		178302-37930	1	LATCH, THROTTLE			
5		900253-04012	1	SCREW	4*12		
6		351155-35430	1	COVER, HANDLE (BL)			
7		178090-37930	1	LOCKOUT, T. CONTROL			
8		C450-000000	1	TRIGGER, THROTTLE			
9		178043-35430	1	SPRING, THR.RETURN			
10		900345-40030	1	PIN, SPRING 4*30SUS	4*30SUS		
11		100918-19830	1	CAP, CUSHION			
12		100915-35430	1	SCREW			
13		100910-60030	1	CUSHION			
14		900253-05020	4	SCREW 5*20	5*20		
15		100922-35430	1	CUSHION, REARE HANDLE			
16		900238-04016	2	SCREW 4*16	4*16		
17		900253-05016	1	SCREW	5*16		
18		351105-60930	1	CUSHION			
19		900253-04012	2	SCREW	4*12		
20		900238-04022	1	SCREW 4*22	4*22		
21		351606-60931	1	HANDLE, FRONT			Sus. by 351606-60932
21		351606-60932	1	HANDLE, FRONT			

5. Clutch, Sprocket



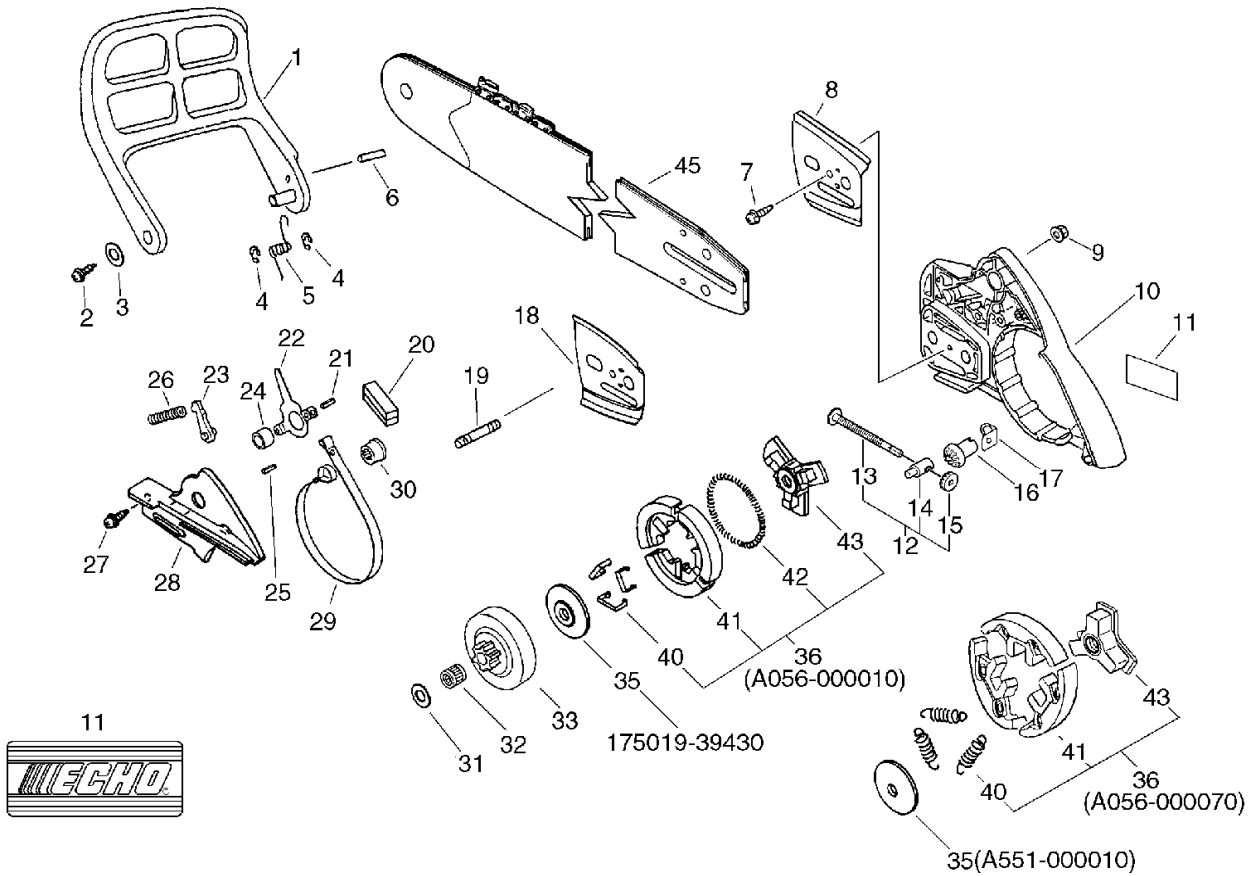
KEY	LV	PART NUMBER	Q'TY	DESCRIPTION	REMARKS	NOTE1	NOTE2
1		C320-000000	1	LEVER,BRAKE			
2		900253-04012	1	SCREW	4*12		
3		177214-04630	1	WASHER	4.1*15.5*1T		
4		900700-00008	2	E-RING 8	CE-8		
5		433122-60930	1	SPRING, BRAKE			
6		900330-30120	1	PIN	3*12		
7		900253-04010	1	SCREW 4*10	4*10		
8		433012-60930	1	PLATE, GUIDE			
9		433019-03933	2	NUT, FLANGE 6	6		
10		433010-60931	1	GUARD, SPROCKET			
11		X502-000000	1	LABEL,ECHO		Sus. by X502-000580	
12		P021-000060	1	TENSIONER,CHAIN ASY		Sus. by P021-000063	
12		P021-000061	1	TENSIONER,CHAIN ASY		Sus. by P021-000063	
12		P021-000062	1	TENSIONER,CHAIN ASY		Sus. by P021-000063	
12		P021-000063	1	TENSIONER,CHAIN ASY			
13	+	V203-000020	1	BOLT,5		Sus. by V203-000021	
13	+	V203-000021	1	BOLT,5			
14	+	433014-60930	1	TENSIONER, CHAIN		Sus. by C309-000030	
14	+	C309-000030	1	TENSIONER,CHAIN			

5. Clutch, Sprocket



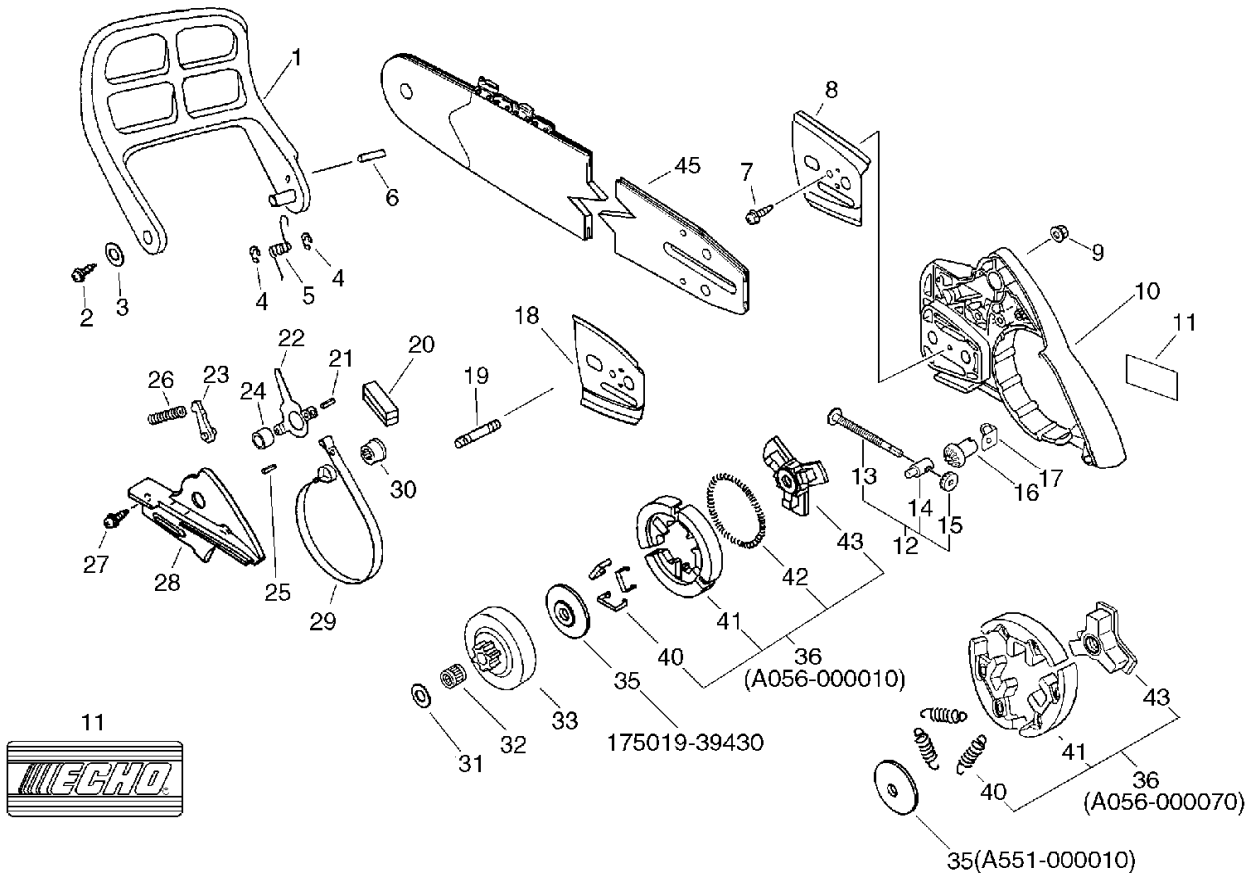
KEY	LV	PART NUMBER	Q'TY	DESCRIPTION	REMARKS	NOTE1	NOTE2
15	+	V651-000010	1	GEAR,BEVEL		Sus. by V651-000011	
15	+	V651-000011	1	GEAR,BEVEL			
16		V651-000000	1	GEAR,BEVEL		Sus. by V651-000001	
16		V651-000001	1	GEAR,BEVEL			
17		V150-000030	1	PLATE,EYE			
18		433013-60930	1	PLATE, GUIDE			
19		433011-03931	2	STUD, GUIDE BAR			
20		433312-32630	1	COVER, SEAL			
21		900330-40088	1	ROLLER 4*8.8	4*8.8		
22		433117-60930	1	CONNECTOR, BRAKE			
23		433209-35430	1	STOPPER, BRAKE			
24		433116-35430	1	SPACER 8	8*12*9		
25		900342-25012	1	PIN, SPRING 2.5*12	2.5*12		
26		433122-35430	1	SPRING, BRAKE			
27		900253-04012	3	SCREW	4*12		
28		433310-60930	1	COVER, BRAKE BS			
29		433123-60930	1	BAND, BRAKE		Sus. by C328-000070	
29		C328-000070	1	BAND,BRAKE			
30		433142-35430	1	ADJUSTER, BRAKE			
31		175014-39130	1	WASHER, CLUTCH	10.2*25*1.2	Sus. by 175014-39131	
31		175014-39131	1	WASHER, CLUTCH	10.2*24.5*1.2		

5. Clutch, Sprocket



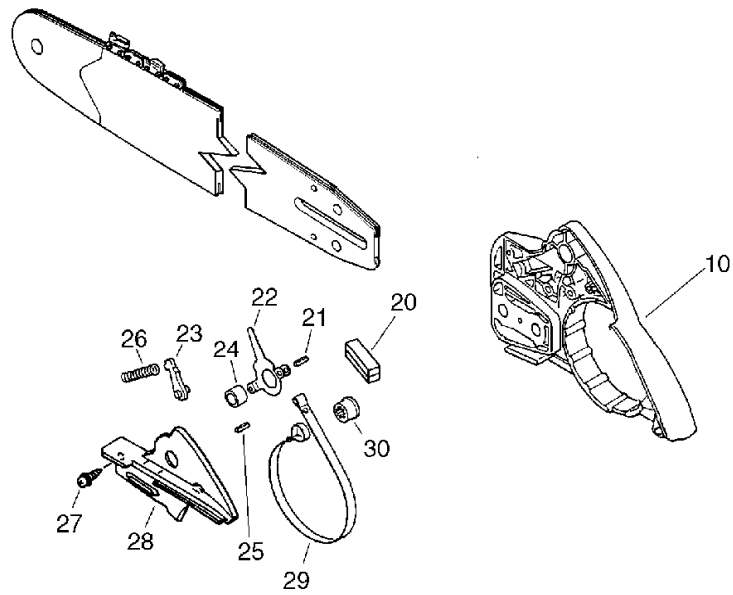
KEY	LV	PART NUMBER	Q'TY	DESCRIPTION	REMARKS	NOTE1	NOTE2
32		175012-35630	1	BEARING, NEEDLE	10*13*10	Sus. by 175012-00831	
32		175012-00831	1	BEARING, NEEDLE			
33		175005-39131	1	DRUM, CLUTCH 3/8		Sus. by 175005-39132	
33		175005-39132	1	DRUM, CLUTCH	3/8A		
35		175019-39430	1	PLATE, CLUTCH		Sr/Nr 027420 and before	
35		A551-000010	1	PLATE,CLUTCH		Sr/Nr 027421 and after	
36		A056-000010	1	CLUTCH		Sr/Nr 027420 and before	
36		A056-000070	1	CLUTCH		Sr/Nr 027421 and after	
40	+	175022-59530	3	SPRING,FLAT		Sr/Nr 027420 and before	
40	+	V451-000470	3	SPRING,TENSION		Sr/Nr 027421 and after	
41	+	P021-000270	1	CLUTCH SHOE SET		Sr/Nr 027420 and before	
41	+	P021-005810	1	CLUTCH SHOE SET		Sr/Nr 027421 and after	
42	+	175018-39430	1	SPRING, CLUTCH		Sr/Nr 027420 and before	
43	+	A552-000000	1	HUB,CLUTCH		Sr/Nr 027421 and after	

5. Clutch, Sprocket



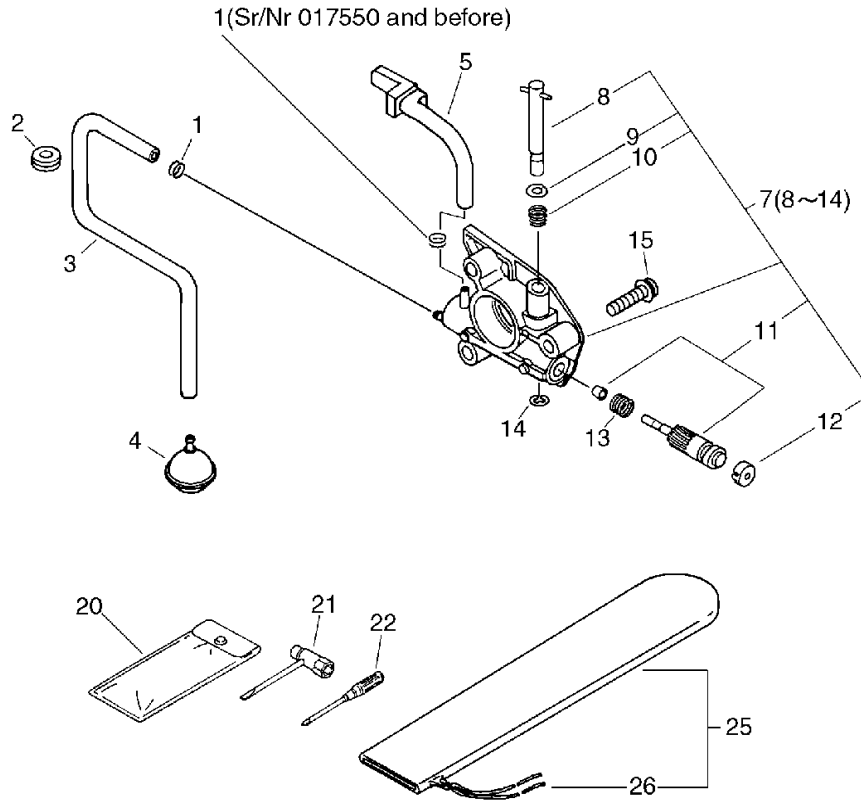
KEY	LV	PART NUMBER	Q'TY	DESCRIPTION	REMARKS	NOTE1	NOTE2
43	+	A552-000020	1	HUB,CLUTCH		Sr/Nr 027420 and before	
45		X123-000070	1	BAR,GUIDE35RC50M-3/8	35RC50M-3/8 ECHO	Sus. by X123-000131	
45		X123-000131	1	BAR,GUIDE35RC50M-3/8	35RC50M-3/8	OPTION	

6. Chain Brake Asy



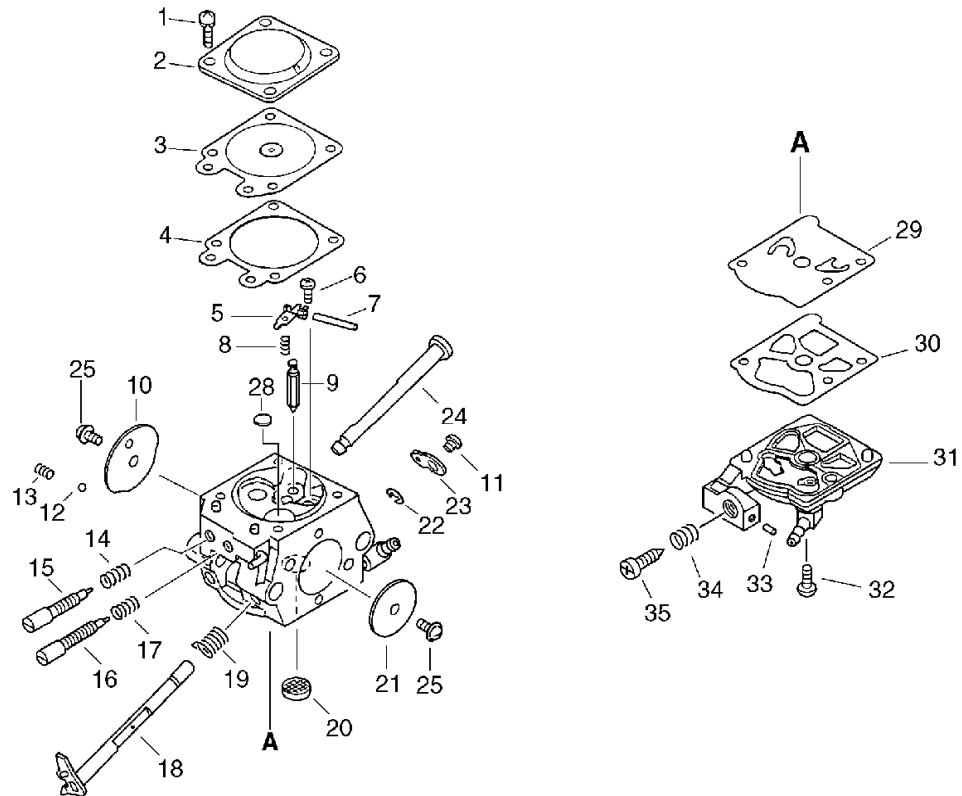
KEY	LV	PART NUMBER	Q'TY	DESCRIPTION	REMARKS	NOTE1	NOTE2
		C032-000020	1	BRAKE,ASM CHAIN		Sus. by C032-000021	
		C032-000021	1	BRAKE,ASM CHAIN			
10	+	433010-60931	1	GUARD, SPROCKET			
20	+	433312-32630	1	COVER, SEAL			
21	+	900330-40088	1	ROLLER 4*8.8	4*8.8		
22	+	433117-60930	1	CONNECTOR, BRAKE			
23	+	433209-35430	1	STOPPER, BRAKE			
24	+	433116-35430	1	SPACER 8	8*12*9		
25	+	900342-25012	1	PIN, SPRING 2.5*12	2.5*12		
26	+	433122-35430	1	SPRING, BRAKE			
27	+	900253-04012	3	SCREW	4*12		
28	+	433310-60930	1	COVER, BRAKE BS			
29	+	433123-60930	1	BAND, BRAKE		Sus. by C328-000070	
29	+	C328-000070	1	BAND,BRAKE			
30	+	433142-35430	1	ADJUSTER, BRAKE			

7. Auto-Oiler, Tools



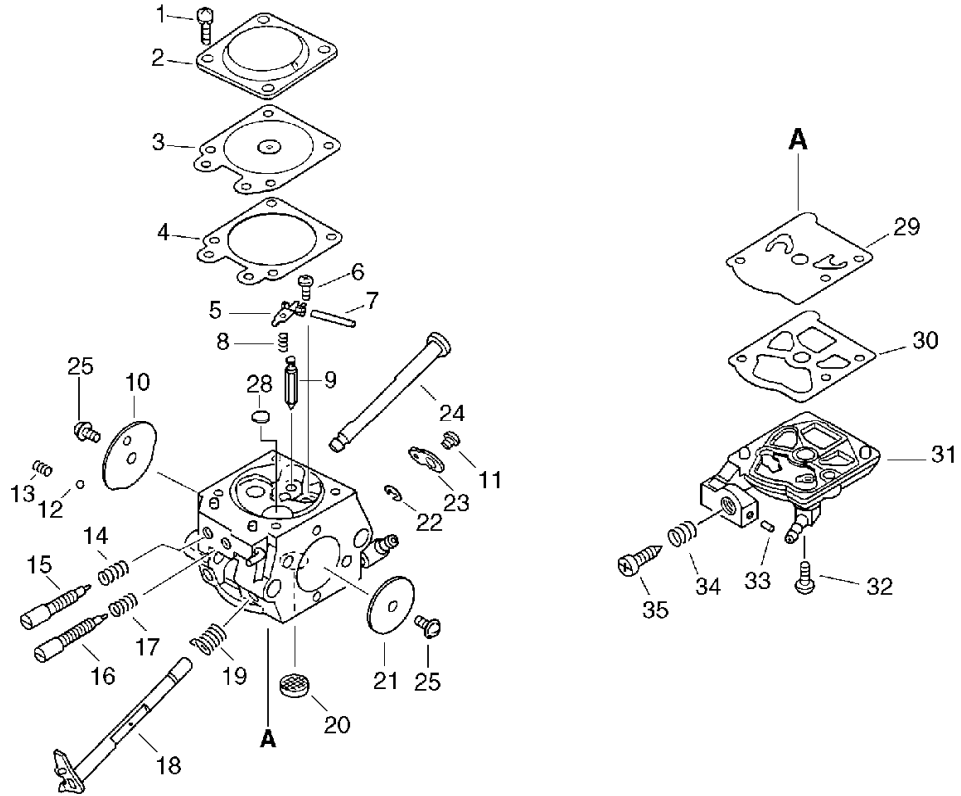
KEY	LV	PART NUMBER	Q'TY	DESCRIPTION	REMARKS	NOTE1	NOTE2
1		132013-26630	2	CLIP	6.5MM	Sr/Nr 017550 and before	
1		132013-26630	1	CLIP	6.5MM	Sr/Nr 017551 and after	
2		132115-12330	1	GROMMET			
3		437210-35430	1	PIPE			
4		436205-14730	1	STRAINER, OIL			
5		437211-39133	1	PIPE			
7		437002-38330	1	AUTO-OILER ASSY			
8	+	437016-38330	1	NEEDLE, ADJUST			
9	+	437029-37330	1	WASHER			
10	+	437015-37330	1	SPRING			
11	+	437024-37330	1	PLUNGER			
12	+	437062-38330	1	CAP, OIL PUMP			
13	+	437019-38330	1	SPRING			
14	+	123127-15030	1	RING			
15		900223-04016	2	SCREW	4*16		
20		898510-39130	1	BAG, TOOL			
21		895410-03930	1	WRENCH, W/S. DRIVER			
22		895812-03930	1	DRIVER, SCREW 50			
25		898513-38330	1	SCABBARD, GUIDE BAR			
26	+	898568-14530	1	ROPE	5*900		

8. Carburetor(Sr/Nr 033317and before)



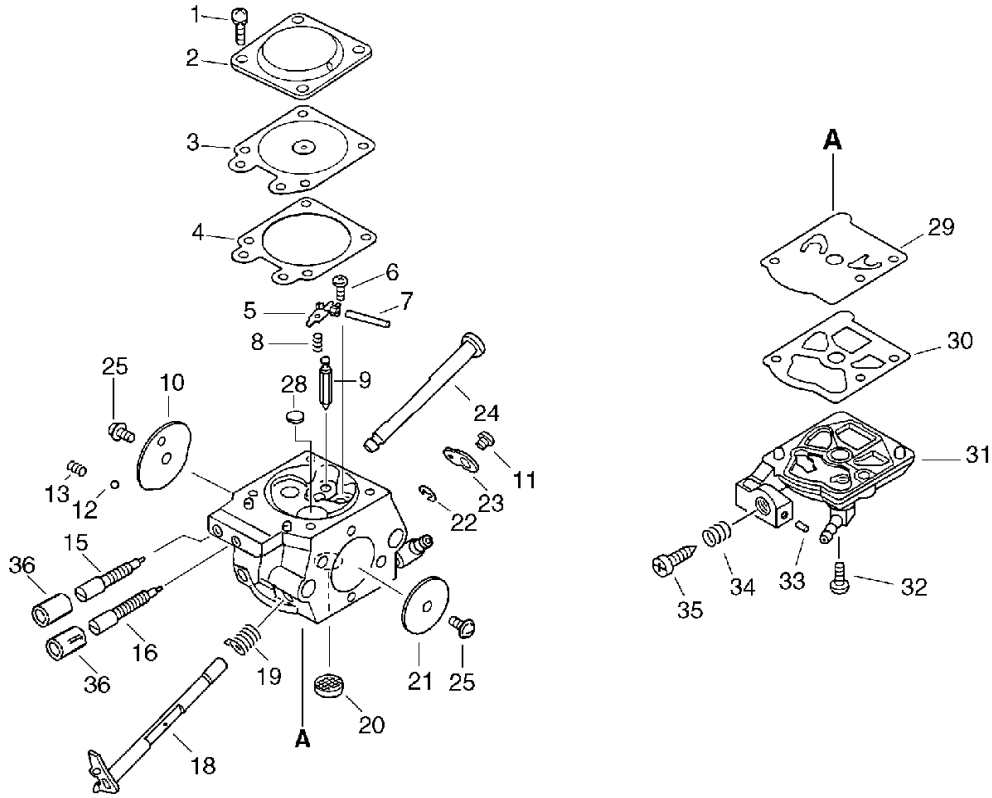
KEY	LV	PART NUMBER	Q'TY	DESCRIPTION	REMARKS	NOTE1	NOTE2
		123000-60930	1	CARBURETOR ASSY	WT-504		
1	+	123130-02960	4	SCREW			
2	+	123142-03930	1	COVER, M. DIAPHRAGM			
3	+	123141-03930	1	DIAPHRAGM, METERING			
4	+	123140-03930	1	GASKET, M. DIAPHRAGM			
5	+	123123-03930	1	LEVER, METERING			
6	+	123139-03930	1	SCREW, M. LEVER PIN			
7	+	123138-03930	1	PIN, METERING LEVER			
8	+	123122-39330	1	SPRING, METER. LEVER			
9	+	123137-19830	1	VALVE, INLET NEEDLE			
10	+	123132-35430	1	VALVE, CHOKE			
11	+	123114-03930	1	SCREW		Sus. by 123114-38830	
11	+	123114-38830	1	SCREW			
12	+	123136-10630	1	BALL, CHOKE FRICTION			
13	+	123135-10630	1	SPRING, CHOKE FRICT.			
14	+	123119-22130	1	SPRING, NEEDLE			
15	+	123120-10860	1	NEEDLE, HIGH SPEED			
16	+	123118-38330	1	NEEDLE, IDLE			
17	+	123121-22130	1	SPRING, NEEDLE			
18	+	123117-37330	1	SHAFT, THROTTLE			
19	+	123113-37530	1	SPRING, THROTTLE RTN			
20	+	123126-10631	1	SCREEN, INLET			
21	+	123116-03930	1	VALVE, THROTTLE			
22	+	123127-15030	1	RING			
23	+	123150-38330	1	LEVER, THROTTLE			

8. Carburetor(Sr/Nr 033317and before)



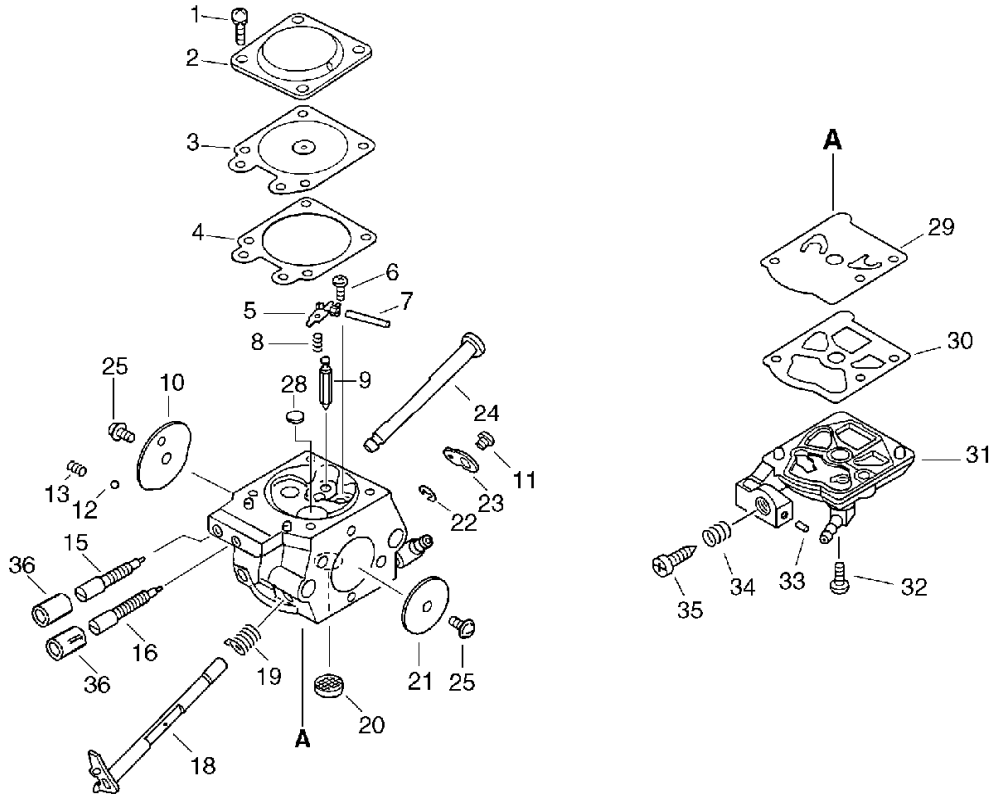
KEY	LV	PART NUMBER	Q'TY	DESCRIPTION	REMARKS	NOTE1	NOTE2
24	+	123131-35430	1	SHAFT, CHOKE			
25	+	123114-38830	2	SCREW			
28	+	123146-10631	1	PLUG, WELCH			
29	+	123112-15030	1	DIAPHRAGM, FUEL PUMP			
30	+	123125-15030	1	GASKET, FUEL PUMP			
31	+	123124-38330	1	COVER, FUEL PUMP			
32	+	123110-03930	1	SCREW, PUMP COVER			
33	+	123178-15030	1	PLUG, FRICTION			
34	+	123133-04260	1	SPRING, IDLE ADJUST			
35	+	123134-04260	1	SCREW, IDLE ADJUST			

9. Carburetor(Sr/Nr 3600001 and after)



KEY	LV	PART NUMBER	Q'TY	DESCRIPTION	REMARKS	NOTE1	NOTE2
		A021-000870	1	CARBURETOR,DIAPHRAGM	WT-700		
1	+	123130-02960	4	SCREW			
2	+	123142-03930	1	COVER, M. DIAPHRAGM			
3	+	123141-03930	1	DIAPHRAGM, METERING			
4	+	123140-03930	1	GASKET, M. DIAPHRAGM			
5	+	123123-03930	1	LEVER, METERING			
6	+	123139-03930	1	SCREW, M. LEVER PIN			
7	+	123138-03930	1	PIN, METERING LEVER			
8	+	123122-39330	1	SPRING, METER. LEVER			
9	+	123137-19830	1	VALVE, INLET NEEDLE			
10	+	123132-35430	1	VALVE, CHOKE			
11	+	123114-38830	1	SCREW			
12	+	123136-10630	1	BALL, CHOKE FRICTION			
13	+	123135-10630	1	SPRING, CHOKE FRICT.			
15	+	123120-03661	1	NEEDLE			
16	+	123120-52131	1	NEEDLE, HIGH SPEED			
18	+	123117-39330	1	SHAFT, THROTTLE			
19	+	123113-37530	1	SPRING, THROTTLE RTN			
20	+	123126-10631	1	SCREEN, INLET			
21	+	123116-03930	1	VALVE, THROTTLE			
22	+	123127-15030	1	RING			
23	+	123150-38330	1	LEVER, THROTTLE			
24	+	123131-35430	1	SHAFT, CHOKE			
25	+	123114-38830	2	SCREW			
28	+	123146-10631	1	PLUG, WELCH			
29	+	123112-15030	1	DIAPHRAGM, FUEL PUMP			

9. Carburetor(Sr/Nr 3600001 and after)



KEY	LV	PART NUMBER	Q'TY	DESCRIPTION	REMARKS	NOTE1	NOTE2
30	+	123125-15030	1	GASKET, FUEL PUMP			
31	+	123124-38330	1	COVER, FUEL PUMP			
32	+	123110-03930	1	SCREW, PUMP COVER			
33	+	123178-15030	1	PLUG, FRICTION			
34	+	123133-04260	1	SPRING, IDLE ADJUST			
35	+	123134-04260	1	SCREW, IDLE ADJUST			
36	+	P003-000010	2	LIMITER CAP			

Index

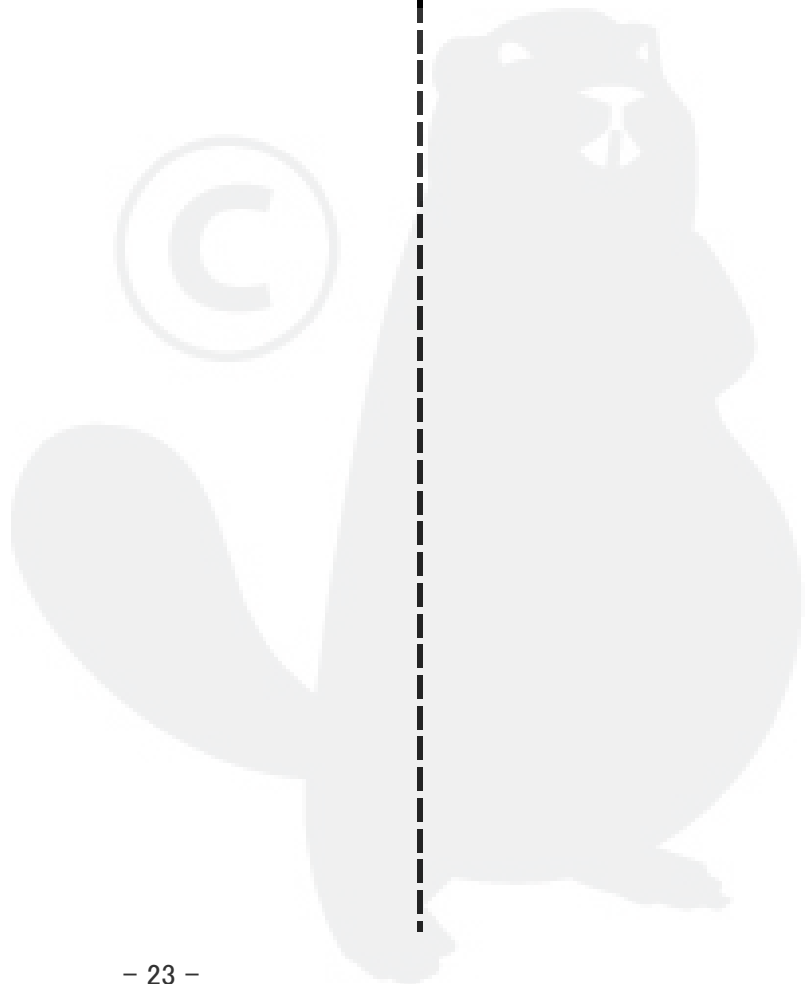
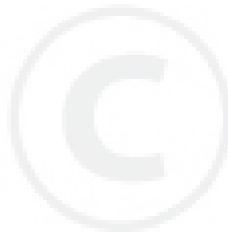
Patrs Number	Key No.	Patrs Number	Key No.	Patrs Number	Key No.
100000-60930	1 - 8	123123-03930	9 - 5	130300-39730	2 - 6
100000-60931	1 - 8	123124-38330	8 - 31	130301-39930	2 - 7
100011-01110	1 - 9	123124-38330	9 - 31	130301-39931	2 - 7
100012-22330	1 - 12	123125-15030	8 - 30	130301-39932	2 - 7
100013-15330	1 - 10	123125-15030	9 - 30	130301-39933	2 - 7
100014-60930	1 - 13	123126-10631	8 - 20	130301-39934	2 - 7
100015-04630	1 - 11	123126-10631	9 - 20	130301-39935	2 - 7
100101-60931	1 - 15	123127-15030	7 - 14	130338-32430	1 - 23
100142-12330	1 - 14	123127-15030	8 - 22	130366-39930	2 - 1
100213-38330	1 - 17	123127-15030	9 - 22	130405-38331	2 - 5
100905-35430	1 - 33	123130-02960	8 - 1	130405-38332	2 - 5
100905-36030	1 - 37	123130-02960	9 - 1	130510-39930	1 - 3
100910-60030	4 - 13	123131-35430	8 - 24	130510-39931	1 - 3
100915-35430	4 - 12	123131-35430	9 - 24	130510-39932	1 - 3
100918-19830	4 - 11	123132-35430	8 - 10	131004-37931	1 - 50
100922-35430	4 - 15	123132-35430	9 - 10	131004-37932	1 - 50
101023-60930	2 - 17	123133-04260	8 - 34	131051-19830	1 - 47
101511-60930	3 - 18	123133-04260	9 - 34	131051-19830	1 - 51
101511-60931	3 - 18	123134-04260	8 - 35	131205-14930	1 - 43
101514-60931	1 - 24	123134-04260	9 - 35	131300-56430	1 - 44
101514-60932	1 - 24	123135-10630	8 - 13	132010-38330	1 - 41
104005-60932	1 - 30	123135-10630	9 - 13	132010-38331	1 - 41
104005-60933	1 - 30	123136-10630	8 - 12	132012-52030	1 - 45
123000-60930	2 - 10	123136-10630	9 - 12	132013-09820	2 - 21
123000-60930	8 -	123137-19830	8 - 9	132013-26630	1 - 42
123110-03930	8 - 32	123137-19830	9 - 9	132013-26630	7 - 1
123110-03930	9 - 32	123138-03930	8 - 7	132013-26630	7 - 1
123112-15030	8 - 29	123138-03930	9 - 7	132115-04920	1 - 40
123112-15030	9 - 29	123139-03930	8 - 6	132115-12330	7 - 2
123113-37530	8 - 19	123139-03930	9 - 6	145510-60930	2 - 16
123113-37530	9 - 19	123140-03930	8 - 4	145610-60930	2 - 15
123114-03930	8 - 11	123140-03930	9 - 4	145614-60930	2 - 14
123114-38830	8 - 11	123141-03930	8 - 3	145861-60930	2 - 13
123114-38830	8 - 25	123141-03930	9 - 3	150112-04930	3 - 31
123114-38830	9 - 11	123142-03930	8 - 2	150117-16430	3 - 10
123114-38830	9 - 25	123142-03930	9 - 2	151112-04630	3 - 1
123116-03930	8 - 21	123146-10631	8 - 28	156626-60930	3 - 6
123116-03930	9 - 21	123146-10631	9 - 28	156800-60930	3 - 30
123117-37330	8 - 18	123150-38330	8 - 23	159010-10230	3 - 3
123117-39330	9 - 18	123150-38330	9 - 23	159011-03432	3 - 4
123118-38330	8 - 16	123178-15030	8 - 33	159012-01620	3 - 5
123119-22130	8 - 14	123178-15030	9 - 33	159118-60930	3 - 2
123120-03661	9 - 15	129010-33330	2 - 11	162010-60930	3 - 8
123120-10860	8 - 15	129015-60931	2 - 12	162021-52130	3 - 9
123120-52131	9 - 16	130007-39930	2 - 2	163400-35430	3 - 11
123121-22130	8 - 17	130007-39931	2 - 2	168114-60930	3 - 32
123122-39330	8 - 8	130010-38330	2 - 3	175005-39131	5 - 33
123122-39330	9 - 8	130016-39930	1 - 4	175005-39132	5 - 33
123123-03930	8 - 5	130110-54430	2 - 4	175012-00831	5 - 32

Index

Patrs Number	Key No.	Patrs Number	Key No.	Patrs Number	Key No.
175012-35630	5 - 32	433123-60930	5 - 29	900253-04012	5 - 27
175014-39130	5 - 31	433123-60930	6 - 29	900253-04012	6 - 27
175014-39131	5 - 31	433142-35430	5 - 30	900253-05016	2 - 9
175018-39430	5 - 42	433142-35430	6 - 30	900253-05016	4 - 17
175019-39430	5 - 35	433209-35430	5 - 23	900253-05020	1 - 29
175022-59530	5 - 40	433209-35430	6 - 23	900253-05020	2 - 9
177200-60930	3 - 19	433310-60930	5 - 28	900253-05020	4 - 14
177200-60931	3 - 19	433310-60930	6 - 28	900256-04016	1 - 27
177200-60932	3 - 19	433312-32630	5 - 20	900256-04016	3 - 27
177203-60930	3 - 24	433312-32630	6 - 20	900330-30120	5 - 6
177214-04630	5 - 3	436001-39131	1 - 46	900330-40088	5 - 21
177215-60930	3 - 23	436114-13930	1 - 39	900330-40088	6 - 21
177218-35631	3 - 15	436205-14730	7 - 4	900342-25012	5 - 25
177226-60930	3 - 22	437002-38330	7 - 7	900342-25012	6 - 25
177228-60930	3 - 25	437015-37330	7 - 10	900345-40030	4 - 10
177234-35430	3 - 13	437016-38330	7 - 8	900515-00008	3 - 12
177236-44330	3 - 20	437019-38330	7 - 13	900516-00005	2 - 18
177247-04630	3 - 14	437024-37330	7 - 11	900603-00005	3 - 16
178011-61530	2 - 19	437029-37330	7 - 9	900603-00005	3 - 16
178043-35430	4 - 9	437062-38330	7 - 12	900700-00008	5 - 4
178090-37930	4 - 7	437063-35630	1 - 18	900720-00022	1 - 52
178112-60930	2 - 20	437210-35430	7 - 3	900721-00025	1 - 48
178112-60931	2 - 20	437211-39133	7 - 5	900725-02025	1 - 48
178302-37930	4 - 3	890118-49330	3 - 28	900810-36201	1 - 16
178510-38330	1 - 32	890157-39130	1 - 38	94035-36201	1 - 16
178510-38331	1 - 32	890345-39230	1 - 26	A021-000870	2 - 10
178810-60930	1 - 31	890631-38130	1 - 21	A021-000870	9 -
351105-60930	4 - 18	895410-03930	7 - 21	A056-000010	5 - 36
351110-60930	4 - 1	895812-03930	7 - 22	A056-000070	5 - 36
351110-60931	4 - 1	898510-39130	7 - 20	A232-000010	1 - 22
351110-60932	4 - 1	898513-38330	7 - 25	A235-000010	1 - 20
351155-35430	4 - 6	898568-14530	7 - 26	A241-000100	1 - 32
351606-60931	4 - 21	900105-05014	3 - 17	A365-000050	1 - 47
351606-60932	4 - 21	900162-05022	1 - 6	A365-000050	1 - 51
433000-60930	1 - 28	900162-05030	1 - 7	A514-000000	3 - 15
433010-60931	5 - 10	900216-05012	3 - 17	A551-000010	5 - 35
433010-60931	6 - 10	900223-04016	7 - 15	A552-000000	5 - 43
433011-03931	5 - 19	900238-04016	4 - 16	A552-000020	5 - 43
433012-60930	5 - 8	900238-04022	1 - 36	C032-000020	6 -
433013-60930	5 - 18	900238-04022	4 - 20	C032-000021	6 -
433014-60930	5 - 14	900238-05012	1 - 2	C309-000030	5 - 14
433019-03933	5 - 9	900238-05014	1 - 35	C320-000000	5 - 1
433116-35430	5 - 24	900238-05025	1 - 34	C328-000070	5 - 29
433116-35430	6 - 24	900238-05025	3 - 7	C328-000070	6 - 29
433117-60930	5 - 22	900238-05050	2 - 8	C450-000000	4 - 8
433117-60930	6 - 22	900253-04010	5 - 7	P003-000010	9 - 36
433122-35430	5 - 26	900253-04012	4 - 5	P021-000060	5 - 12
433122-35430	6 - 26	900253-04012	4 - 19	P021-000061	5 - 12
433122-60930	5 - 5	900253-04012	5 - 2	P021-000062	5 - 12

Index

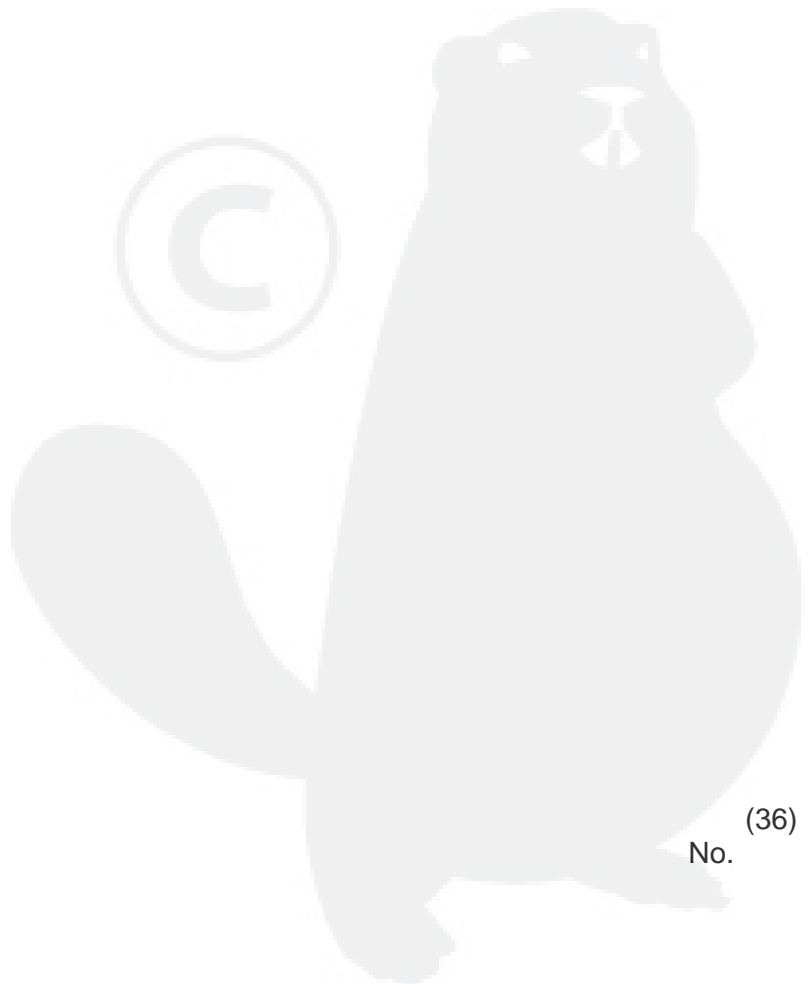
Patrs Number	Key No.	Patrs Number	Key No.	Patrs Number	Key No.
P021-000063	5 - 12				
P021-000270	5 - 41				
P021-000800	1 - 5				
P021-000802	1 - 5				
P021-000803	1 - 5				
P021-005810	5 - 41				
P021-006850	1 - 15				
P021-006851	1 - 15				
P021-006852	1 - 15				
P021-007630	1 - 46				
P021-009070	2 - 13				
P022-001320	3 - 25				
P022-008251	3 - 26				
V150-000030	5 - 17				
V203-000020	5 - 13				
V203-000021	5 - 13				
V203-000090	3 - 17				
V451-000470	5 - 40				
V471-001220	1 - 45				
V505-000010	1 - 17				
V553-000040	1 - 12				
V651-000000	5 - 16				
V651-000001	5 - 16				
V651-000010	5 - 15				
V651-000011	5 - 15				
X123-000070	5 - 45				
X123-000131	5 - 45				
X502-000000	5 - 11				
X503-000270	1 - 25				



YAMABIKO CORPORATION

7-2 SUEHIROCHO 1-CHOME, OHME, TOKYO 198-8760, JAPAN
PHONE: 81-428-32-6118. FAX: 81-428-32-6145.

ECHO[®]



(36)
No.