



PARTS CATALOG

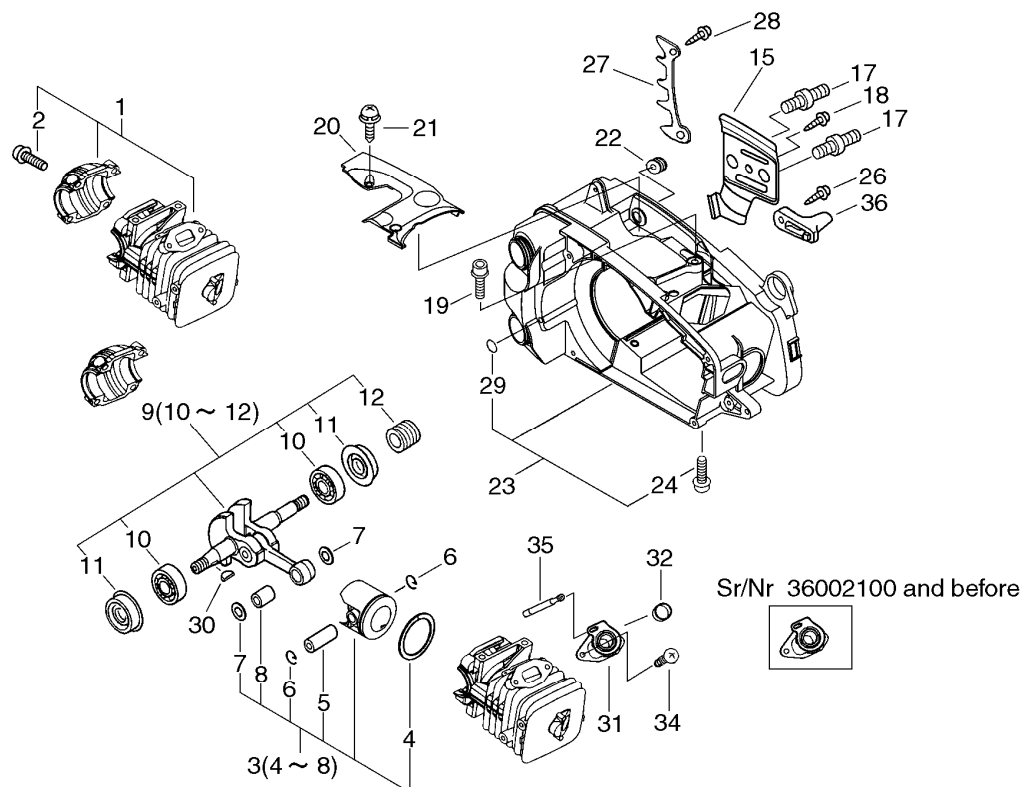
TOP HANDLE SAW

CS-320T



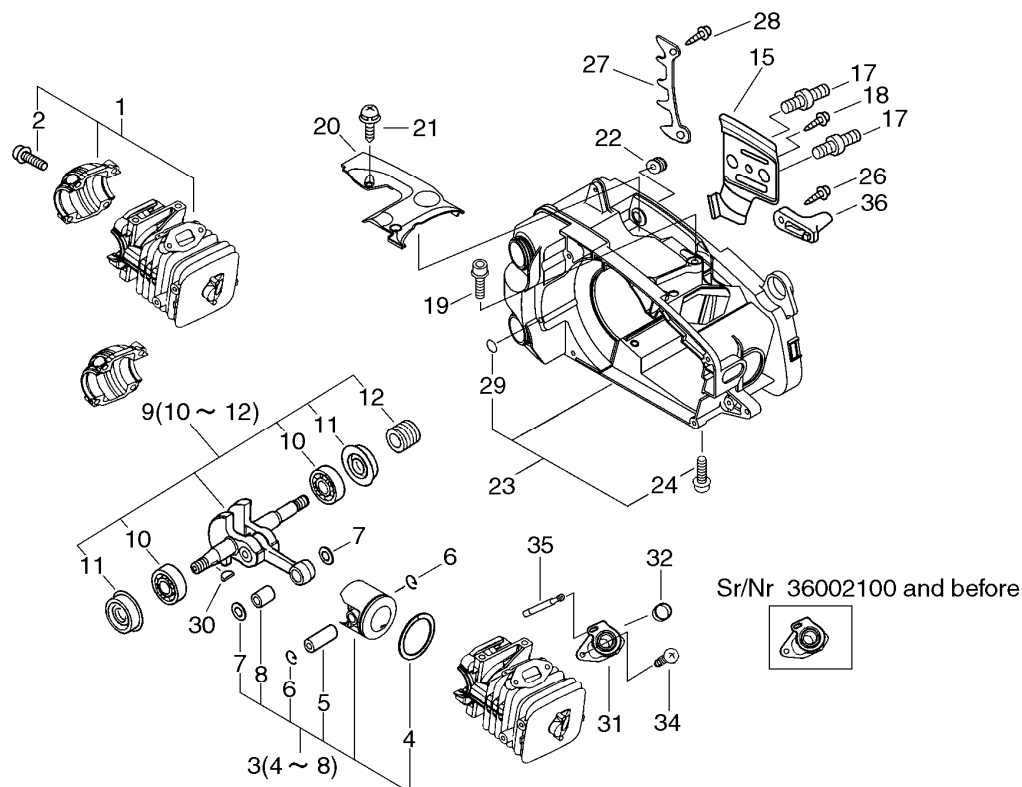
CS-320T

1. Cylinder, Crankcase, Piston



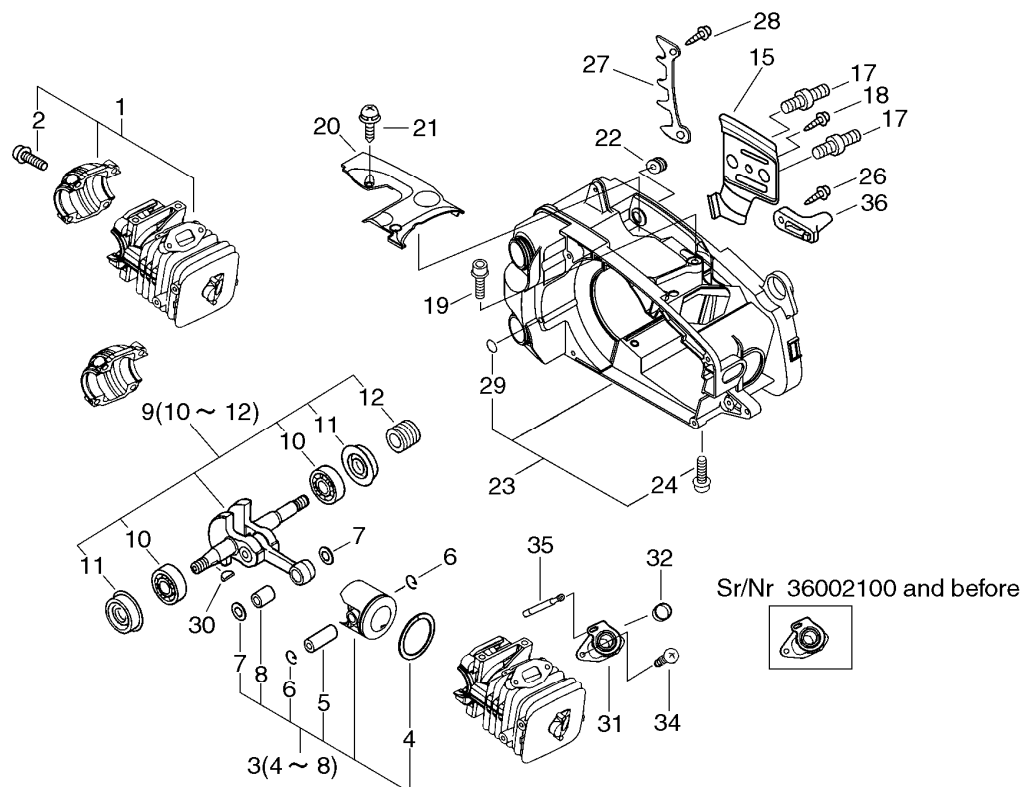
| KEY | LV | PART NUMBER | Q'TY | DESCRIPTION | REMARKS | NOTE1 | NOTE2 |
|-----|----|--------------|------|-----------------------|----------------------|----------------------------|-------|
| 1 | | P021-005490 | 1 | CRANKCASE SET | | Sus. by P021-005491 | |
| 1 | | P021-005491 | 1 | CRANKCASE SET | | | |
| 2 | + | 900162-05025 | 4 | BOLT, H.S. 5*25 | 5*25 W,SW | | |
| 3 | | P021-005500 | 1 | PISTON KIT | | | |
| 4 | + | 100011-46430 | 1 | RING, PISTON | | | |
| 5 | + | 100013-15330 | 1 | PIN, PISTON | 5.5*8*29 | | |
| 6 | + | 100015-04630 | 2 | CIRCLIP, PISTON PIN | | | |
| 7 | + | 100014-60930 | 2 | SPACER, PISTON PIN | | | |
| 8 | + | V553-000040 | 1 | BEARING, NEEDLE 8 | 8E- KV8X11X11.8XS | | |
| 9 | | P021-005510 | 1 | CRANKSHAFT ASY | | Sus. by P021005511 | |
| 9 | | P021-005511 | 1 | CRANKSHAFT ASY | | | |
| 10 | + | 94035-36201 | 2 | BEARING BALL | 6201X3JR2C3 | | |
| 11 | + | V505-000010 | 2 | SEAL, OIL 12 | | | |
| 12 | + | V652-000010 | 1 | GEAR, WORM | | | |
| 15 | | C305-000060 | 1 | PLATE, SPROCKET GUARD | | Sus. by C305-000061 | |
| 15 | | C305-000061 | 1 | PLATE, SPROCKET GUARD | | Sr/Nr 35003521 to 36001200 | |
| 15 | | C305-000070 | 1 | PLATE, SPROCKET GUARD | | Sr/Nr 36001201 and after | |
| 17 | | V225-000030 | 1 | BOLT, STUD 8 | | | |
| 17 | | 433011-03931 | 2 | STUD, GUIDE BAR | | | |

1. Cylinder, Crankcase, Piston



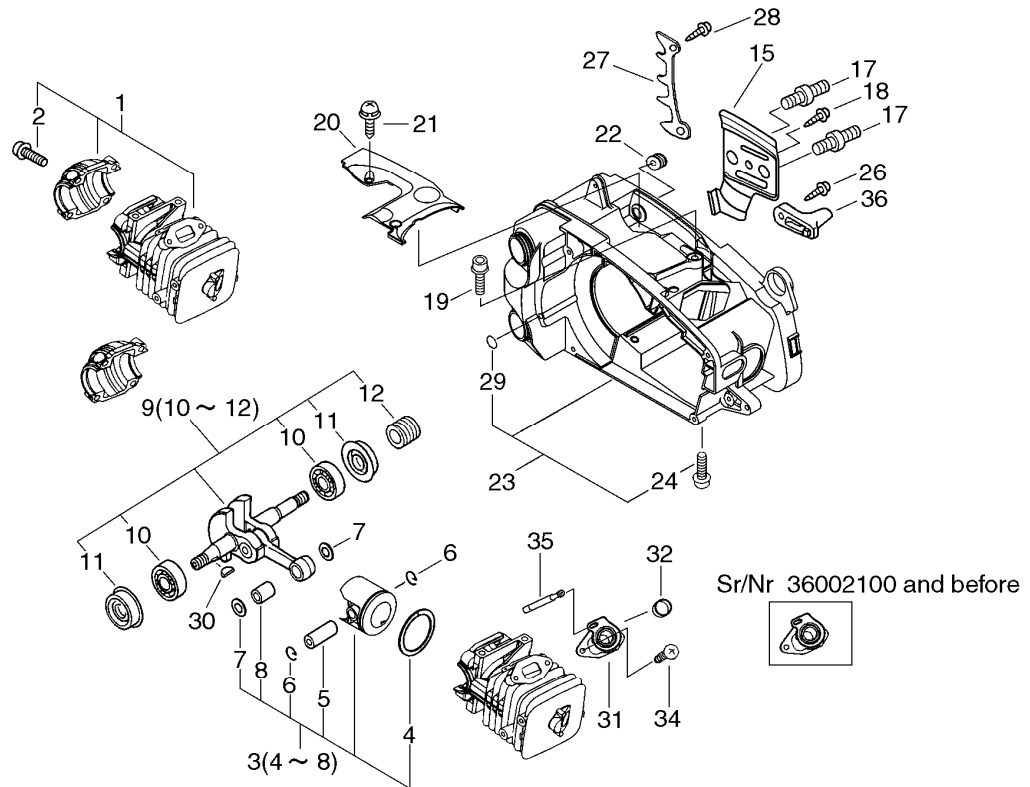
| KEY | LV | PART NUMBER | Q'TY | DESCRIPTION | REMARKS | NOTE1 | NOTE2 |
|-----|----|--------------|------|-----------------|---------|-----------------------------|-------|
| 18 | | V202-000011 | 1 | BOLT,4 | 4*12 | Sus. by V202-000011 Q'ty:2 | |
| 18 | | V202-000011 | 2 | BOLT,4 | 4*12 | Sr/Nr 36001200 and before | |
| 18 | | 900253-04010 | 1 | SCREW 4*10 | 4*10 | Sr/Nr 36001201 and after | |
| 19 | | 900106-05020 | 4 | BOLT, H.S. 5*20 | 5*20 | Sus. by 900106-05020 Q'ty:2 | |
| 19 | | 900106-05020 | 2 | BOLT, H.S. 5*20 | 5*20 | | |
| 20 | | A127-000050 | 1 | COVER,DUST | | | |
| 21 | | 900253-04012 | 2 | SCREW | 4*12 | | |
| 22 | | 163911-30130 | 1 | PLUG | | | |
| 23 | | P021-004981 | 1 | COVER ENGINE | | Sus. by P021-004988 | |
| 23 | | P021-004982 | 1 | COVER ENGINE | | Sus. by P021-004988 | |
| 23 | | P021-004983 | 1 | COVER ENGINE | | Sus. by P021-004988 | |
| 23 | | P021-004984 | 1 | COVER ENGINE | | Sus. by P021-004988 | |
| 23 | | P021-004985 | 1 | COVER ENGINE | | Sus. by P021-004988 | |
| 23 | | P021-004986 | 1 | COVER ENGINE | | Sus. by P021-004988 | |

1. Cylinder, Crankcase, Piston



| KEY | LV | PART NUMBER | Q'TY | DESCRIPTION | REMARKS | NOTE1 | NOTE2 |
|-----|----|--------------|------|-------------------|---------|---------------------------|-------|
| 23 | | P021-004987 | 1 | COVER ENGINE | | Sus. by P021-004988 | |
| 23 | | P021-004988 | 1 | COVER ENGINE | | Sr/Nr 36001200 and before | |
| 23 | | P021-008670 | 1 | COVER ENGINE | | Sus. by P021-008671 | |
| 23 | | P021-008671 | 1 | COVER,ENGINE | | Sr/Nr 36001201 and after | |
| 23 | | P021-008672 | 1 | COVER,ENGINE | | Sus. by P021-008675 | |
| 23 | | P021-008673 | 1 | COVER,ENGINE | | Sus. by P021-008675 | |
| 23 | | P021-008674 | 1 | COVER,ENGINE KIT | | Sus. by P021-008675 | |
| 24 | + | 900106-05030 | 2 | BOLT, H.S.H. 5*30 | 5*30 | | |
| 29 | + | 900724-00004 | 1 | O-RING (S-4) | S-4 | | |
| 25 | | 433026-35430 | 1 | CATCHER, CHAIN | | | |
| 26 | | 900253-05020 | 1 | SCREW 5*20 | 5*20 | | |
| 27 | | C304-000000 | 1 | SPIKE | | | |
| 28 | | 900253-05020 | 1 | SCREW 5*20 | 5*20 | | |
| 30 | | 100142-12330 | 1 | KEY, WOODRUFF | | | |
| 31 | | A202-000030 | 1 | BELLOWS,INTAKE | | Sus. by A202-000032 | |
| 31 | | A202-000031 | 1 | BELLOWS,INTAKE | | Sus. by A202-000032 | |

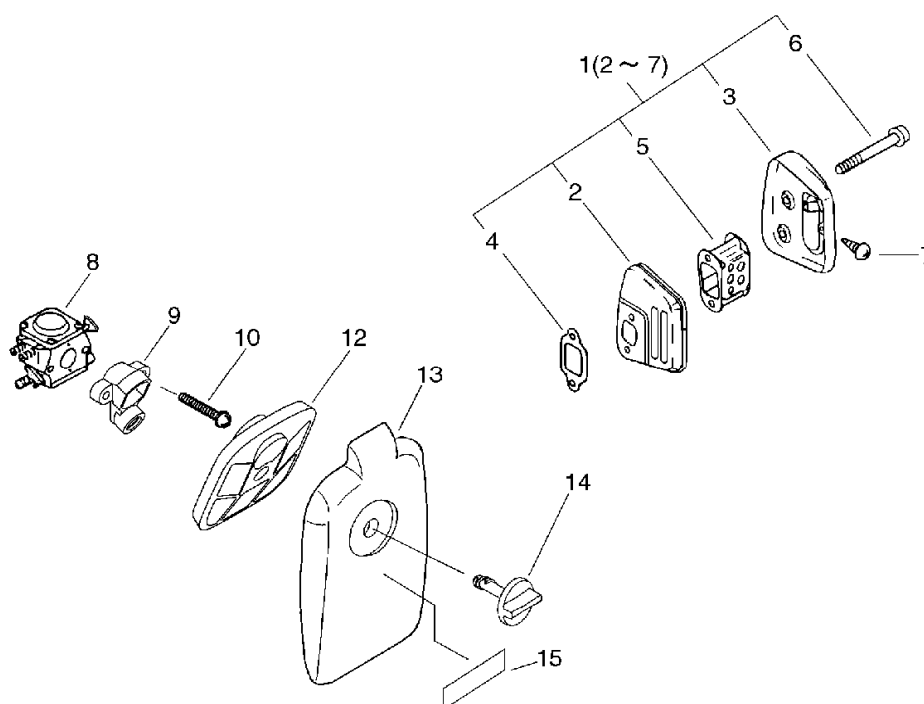
1. Cylinder, Crankcase, Piston



| KEY | LV | PART NUMBER | Q'TY | DESCRIPTION | REMARKS | NOTE1 | NOTE2 |
|-----|----|--------------|------|----------------|---------|---------------------------|-------|
| 31 | | A202-000032 | 1 | BELLOWS,INTAKE | | Sr/Nr 36002100 and before | |
| 32 | | V359-000060 | 1 | COLLAR,16 | | | |
| 34 | | 91420-05012 | 2 | SCREW | 5*12 | Sus. by 900238-05012 | |
| 34 | | 900238-05012 | 2 | SCREW 5*12 | 5*12 | | |
| 35 | | V470-000480 | 1 | PIPE | | Sus. by V470-000481 | |
| 35 | | V470-000481 | 1 | PIPE | 3*7*65 | | |

2. Air Cleaner, Muffler

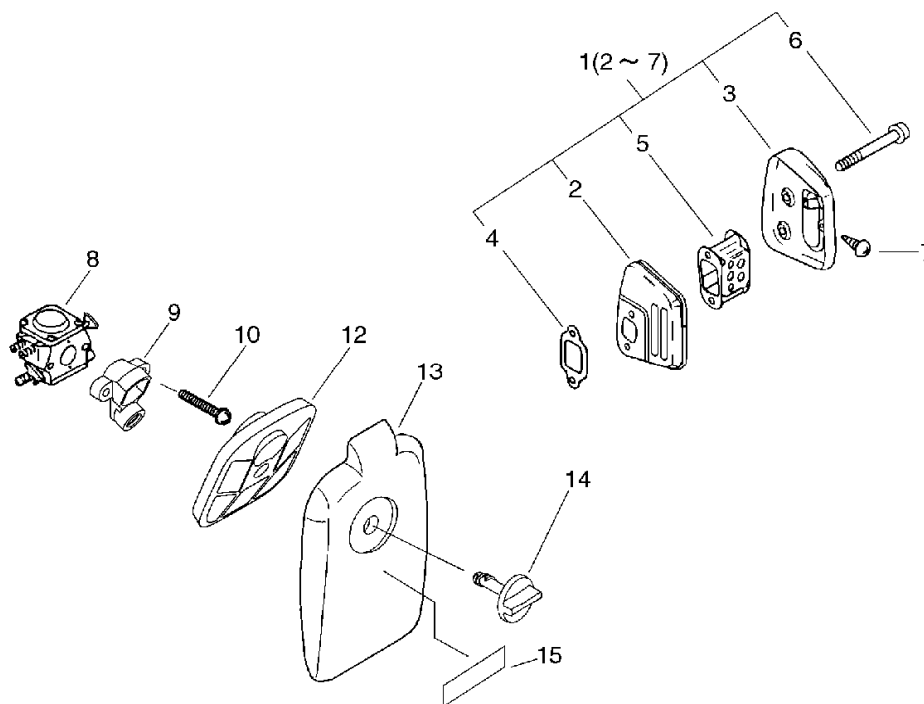
No.2



| KEY | LV | PART NUMBER | Q'TY | DESCRIPTION | REMARKS | NOTE1 | NOTE2 |
|-----|----|--------------|------|----------------------|---------|---------------------------|-------|
| 1 | | P021-004950 | 1 | MUFFLER ASY | | Sus. by P021-004952 | |
| 1 | | P021-004951 | 1 | MUFFLER ASY | | Sus. by P021-004952 | |
| 1 | | P021-004952 | 1 | MUFFLER ASY | | | |
| 2 | + | A300-000370 | 1 | MUFFLER,EXHAUST | | | |
| 3 | + | A303-000040 | 1 | LID,MUFFLER | | Sus. by P021-008650 | |
| 3 | + | A303-000041 | 1 | LID,MUFFLER | | Sus. by P021-008650 | |
| 3 | + | P021-008650 | 1 | MUFFLER LID ASY | | | |
| 4 | + | 145510-13931 | 1 | GASKET, MUFFLER | | | |
| 5 | + | A301-000000 | 1 | PLATE,MUFFLER | | | |
| 6 | + | 91107-05040 | 2 | BOLT HSH FLANGE | 5*40 | | |
| 7 | + | 900250-04008 | 1 | SCREW 4*8 | 4*8 | | |
| 8 | | A021-000600 | 1 | CARBURETOR,DIAPHRAGM | WT-647 | Sus. by A021-000601 | |
| 8 | | A021-000601 | 1 | CARBURETOR,DIAPHRAGM | WT-647 | Sr/Nr 36001000 and before | |
| 8 | | A021-000860 | 1 | CARBURETOR,DIAPHRAGM | WT-698 | Sus. by A021-000862 | |
| 8 | | A021-000861 | 1 | CARBURETOR,DIAPHRAGM | WT-698A | Sus. by A021-000862 | |
| 8 | | A021-000862 | 1 | CARBURETOR,DIAPHRAGM | WT-698A | Sr/Nr 36001001 and after | |

2. Air Cleaner, Muffler

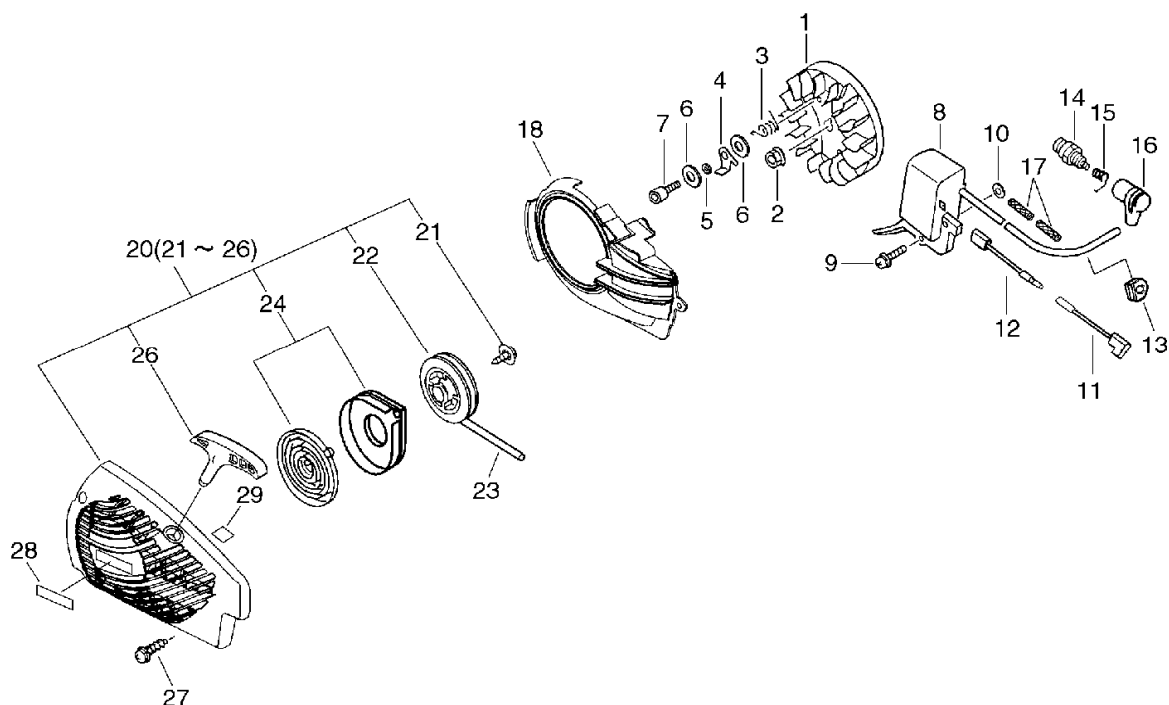
No.2



| KEY | LV | PART NUMBER | Q'TY | DESCRIPTION | REMARKS | NOTE1 | NOTE2 |
|-----|----|--------------|------|--------------------|---------|---------------------|-------|
| 9 | | A204-000050 | 1 | ELBOW,CARBURETOR | | Sus. by A204-000041 | |
| 9 | | A204-000051 | 1 | ELBOW,CARBURETOR | | Sus. by A204-000041 | |
| 9 | | A204-000052 | 1 | ELBOW,CARBURETOR | | Sus. by A204-000041 | |
| 9 | | A204-000041 | 1 | ELBOW,CARBURETOR | | | |
| 10 | | 900238-05050 | 2 | SCREW 5*50 | 5*50 | | |
| 12 | | A226-000180 | 1 | ELEMENT,AIR FILTER | | | |
| 13 | | A232-000160 | 1 | LID,CLEANER | | | |
| 14 | | A235-000040 | 1 | KNOB,CLEANER LID | | | |
| 15 | | X503-004390 | 1 | LABEL,MODEL | CS-320T | | |

3. Starter, Magneto

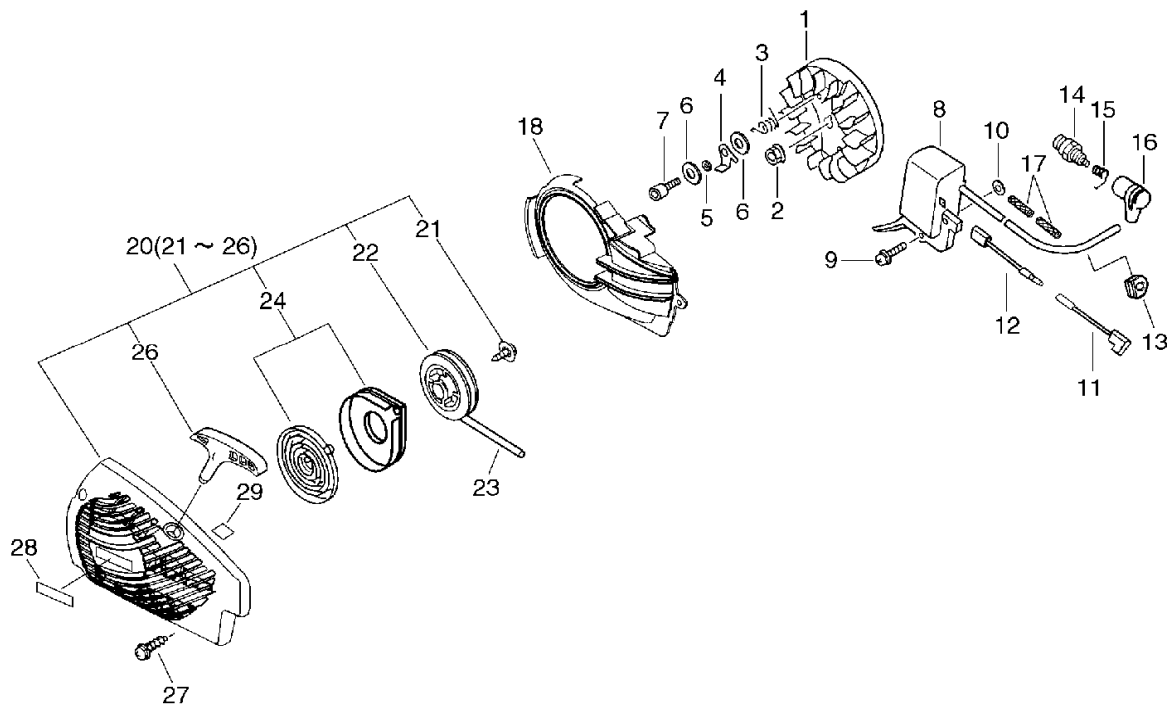
No.3



| KEY | LV | PART NUMBER | Q'TY | DESCRIPTION | REMARKS | NOTE1 | NOTE2 |
|-----|----|--------------|------|--------------------|------------|---------------------|-------|
| 1 | | A409-000170 | 1 | ROTOR,MAGNETO | | | |
| 2 | | 900515-00008 | 1 | NUT, FLANGE 8 | 8 | | |
| 3 | | 177234-35430 | 2 | SPRING, RETURN | | | |
| 4 | | A514-000000 | 2 | PAWL | | | |
| 5 | | 177247-04630 | 2 | SPACER, RATCHET | 5.2*8*2.1 | | |
| 6 | | 900603-00005 | 4 | WASHER 5 | 5.5*12*0.8 | | |
| 7 | | 900105-05014 | 2 | BOLT, H.S. 5*14 | 5*14 | Sus. by V203-000090 | |
| 7 | | V203-000090 | 2 | BOLT,5 | M5*14 | | |
| 8 | | A411-000150 | 1 | COIL,IGNITION | | | |
| 9 | | 900238-05022 | 2 | SCREW 5*22 | 5*22 | | |
| 10 | | 150117-16430 | 2 | SPACER | | | |
| 11 | | 162010-55930 | 1 | LEARD, GROUND | 235L | | |
| 12 | | V485-000140 | 1 | LEAD | | | |
| 13 | | 156110-04920 | 1 | BUSHING | | | |
| 14 | | A425-000000 | 1 | SPARKPLUG | BPMR8Y | | |
| 15 | | A426-000010 | 1 | TERMINAL,SPARKPLUG | | | |
| 16 | | A427-000010 | 1 | CAP,SPARK PLUG | | Sus. by A427-000012 | |
| 16 | | A427-000011 | 1 | CAP,SPARK PLUG | | Sus. by A427-000012 | |
| 16 | | A427-000012 | 1 | CAP,SPARK PLUG | | | |
| 17 | | V475-002390 | 1 | TUBE | | | |
| 18 | | A172-000360 | 1 | COVER,FAN | | Sus. by A172-000361 | |
| 18 | | A172-000361 | 1 | COVER,FAN | | | |

3. Starter, Magneto

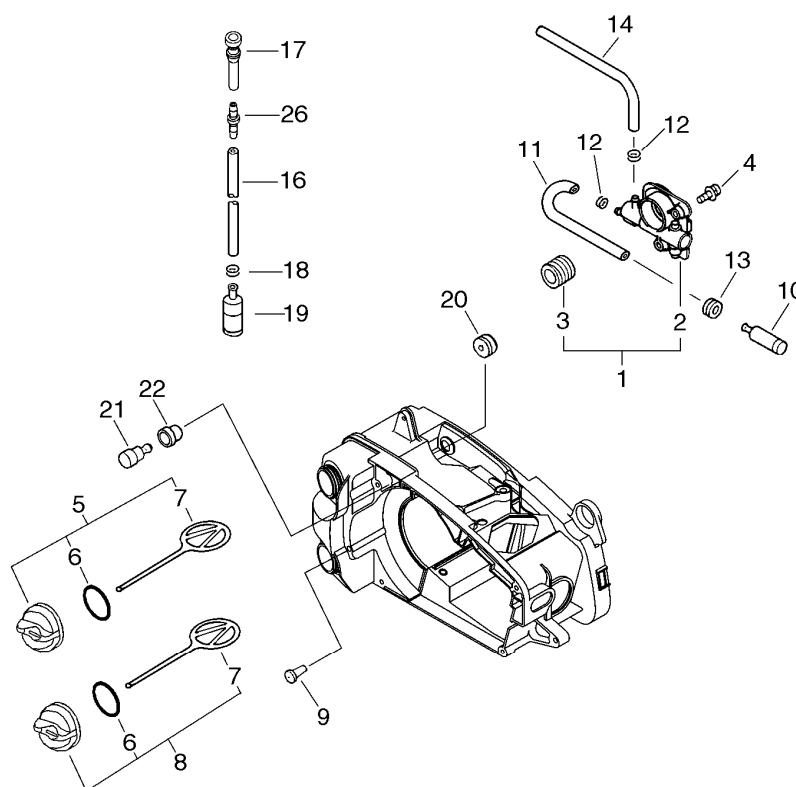
No.3



| KEY | LV | PART NUMBER | Q'TY | DESCRIPTION | REMARKS | NOTE1 | NOTE2 |
|-----|----|--------------|------|--------------------|---------|-------|-------|
| 20 | | A051-000540 | 1 | STARTER,RECOIL | | | |
| 21 | + | 177236-44330 | 1 | SCREW | | | |
| 22 | + | P022-005870 | 1 | DRUM, STARTER | | | |
| 23 | + | P022-005900 | 1 | ROPE, STARTER | 3.0*920 | | |
| 24 | + | P022-001330 | 1 | SPRING KIT, REWIND | | | |
| 26 | + | P022-005890 | 1 | GRIP, STARTER | | | |
| 27 | | 900256-04016 | 4 | SCREW 4*16 | 4*16 | | |
| 28 | | X502-000020 | 1 | LABEL,ECHO | | | |
| 29 | | X505-000180 | 1 | LABEL,CAUTION | | | |

4. Auto-Oiler

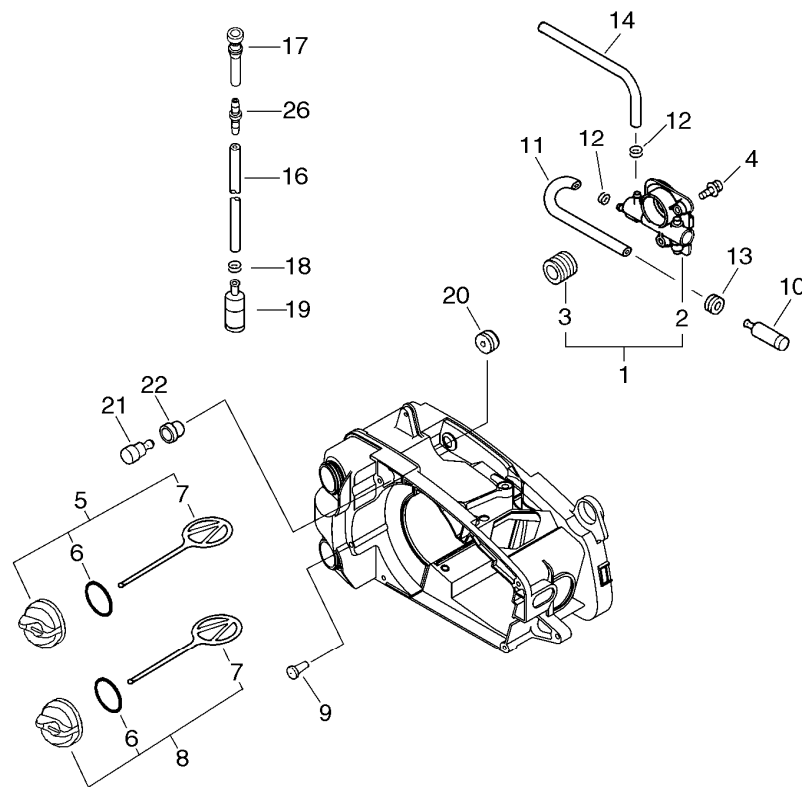
No.4



| KEY | LV | PART NUMBER | Q'TY | DESCRIPTION | REMARKS | NOTE1 | NOTE2 |
|-----|----|--------------|------|----------------|---------|---------------------|-------|
| 1 | | P021-001980 | 1 | AUTO-OILER ASY | | | |
| 2 | + | C022-000000 | 1 | OILER,ASM AUTO | | | |
| 3 | + | V652-000010 | 1 | GEAR,WORM | | | |
| 4 | | 900238-04012 | 2 | SCREW 4*12 | 4*12 | | |
| 5 | | P021-001991 | 1 | FUEL CAP ASY | | Sus. by P021-005591 | |
| 5 | | P021-005590 | 1 | FUEL CAP ASY | | Sus. by P021-005591 | |
| 5 | | P021-005591 | 1 | CAP ASY | | | |
| 6 | + | 900720-00018 | 1 | O-RING 18 | P-18 | | |
| 7 | + | 131051-19830 | 1 | LINK | 60L | Sus. by A365-000050 | |
| 7 | + | A365-000050 | 1 | CONNECTOR,CAP | | | |
| 8 | | P021-002001 | 1 | OIL CAP ASY | | Sus. by P021-005581 | |
| 8 | | P021-005580 | 1 | OIL CAP ASY | | Sus. by P021-005581 | |
| 8 | | P021-005581 | 1 | OIL CAP ASY | | | |
| 6 | + | 900720-00018 | 1 | O-RING 18 | P-18 | | |
| 7 | + | 131051-19830 | 1 | LINK | 60L | Sus. by A365-000050 | |
| 7 | + | A365-000050 | 1 | CONNECTOR,CAP | | | |
| 9 | | 436114-13930 | 1 | VALVE, CHECK | | | |
| 10 | | 436205-02832 | 1 | STRAINER, OIL | | | |
| 11 | | V471-000740 | 1 | PIPE | | | |

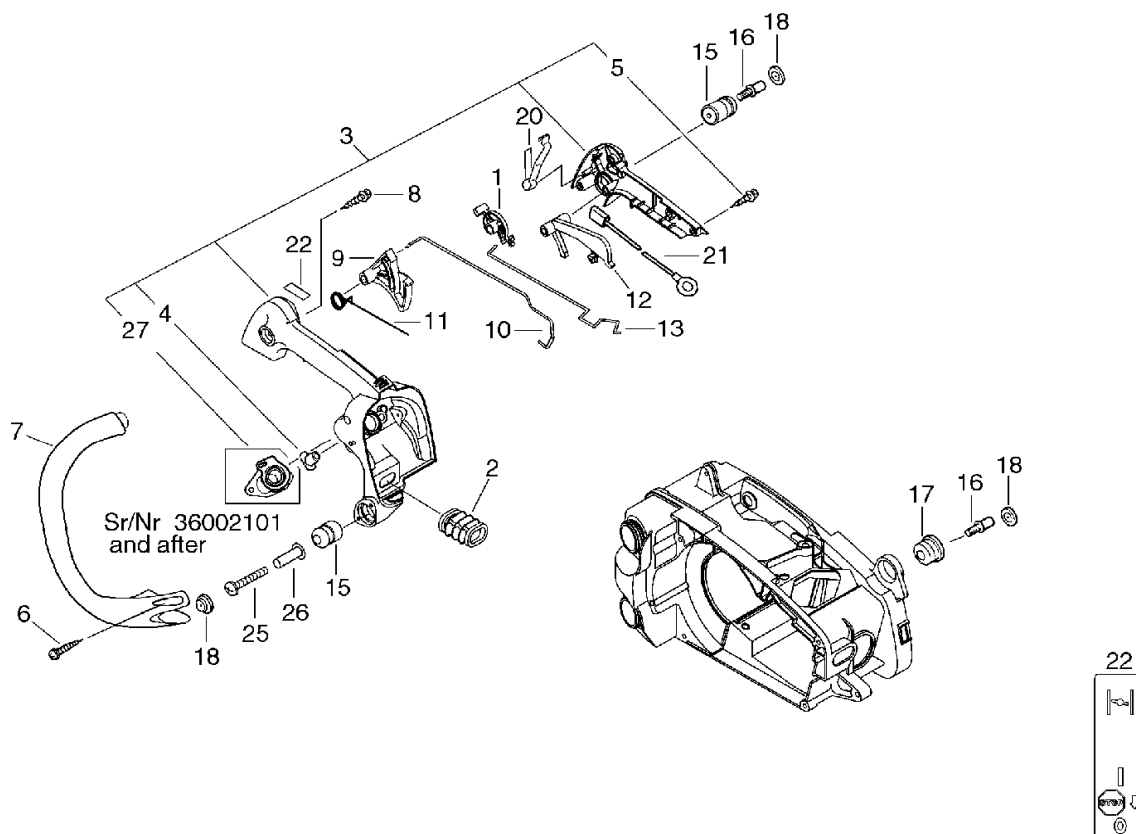
4. Auto-Oiler

No.4



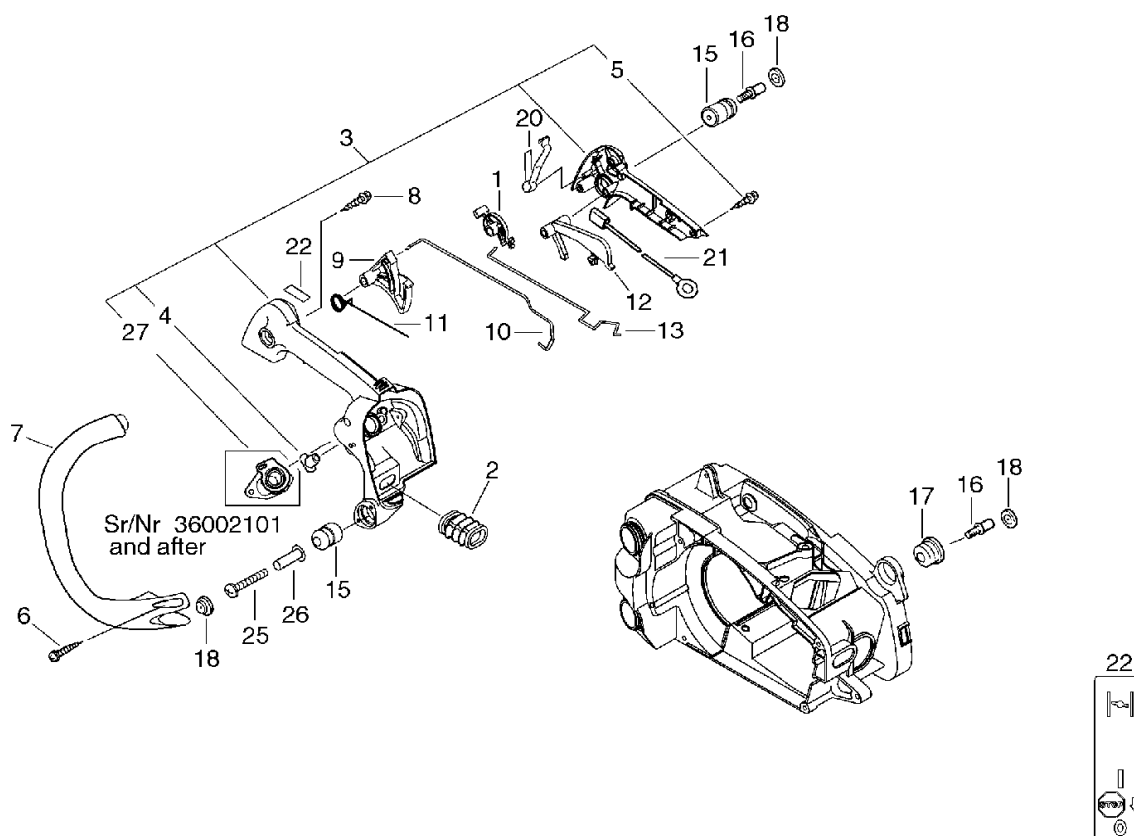
| KEY | LV | PART NUMBER | Q'TY | DESCRIPTION | REMARKS | NOTE1 | NOTE2 |
|-----|----|--------------|------|---------------|---------|-----------------------------|-------|
| 12 | | 132013-26630 | 1 | CLIP | 6.5MM | Sus. by 132013-26630 Q'ty:2 | |
| 12 | | 132013-26630 | 2 | CLIP | 6.5MM | | |
| 13 | | 132115-01461 | 1 | GROMMET | | | |
| 14 | | V471-000760 | 1 | PIPE | | | |
| 16 | | V471-000750 | 1 | PIPE | | | |
| 17 | | V470-000320 | 1 | PIPE | | | |
| 18 | | 132013-09820 | 1 | CLIP | 6MM | | |
| 19 | | 131205-14930 | 1 | STRAINER,FUEL | | | |
| 20 | | V137-000020 | 1 | GROMMET,FUEL | | | |
| 21 | | 131300-56430 | 1 | VALVE, CHECK | | | |
| 22 | | V137-000000 | 1 | GROMMET,FUEL | | | |
| 26 | | V186-000020 | 1 | JOINT,PIPE | | | |

5. Handle



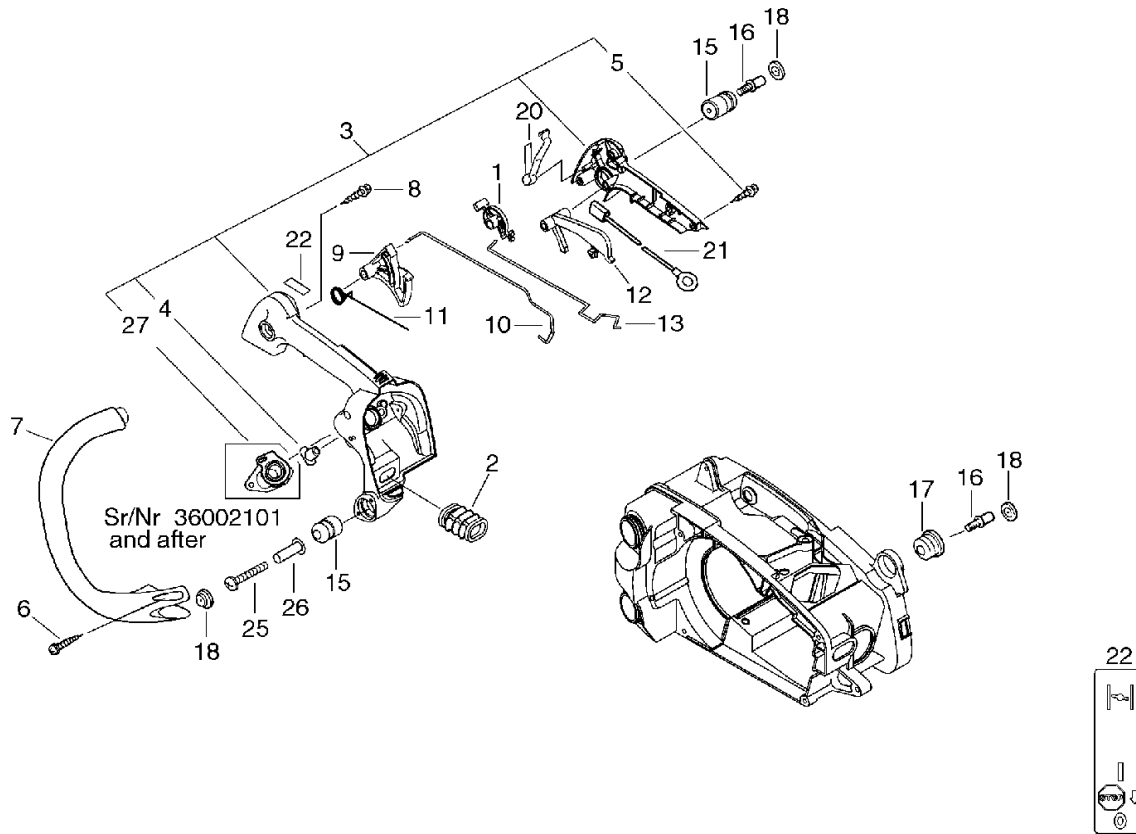
| KEY | LV | PART NUMBER | Q'TY | DESCRIPTION | REMARKS | NOTE1 | NOTE2 |
|-----|----|-------------|------|------------------|---------|---------------------------|-------|
| 1 | | A253-000041 | 1 | LEVER,CONTROL | | Sus. by A253-000043 | |
| 1 | | A253-000042 | 1 | LEVER,CONTROL | | Sus. by A253-000043 | |
| 1 | | A253-000043 | 1 | LEVER,CONTROL | | | |
| 2 | | A239-000000 | 1 | PIPE,INTAKE | | | |
| 3 | | P021-004961 | 1 | HANDLE SET, REAR | | Sr/Nr 36002100 and before | |
| 3 | | P021-004962 | 1 | HANDLE SET, REAR | | Sr/Nr 36002100 and before | |
| 3 | | P021-004963 | 1 | HANDLE SET, REAR | | Sr/Nr 36002100 and before | |
| 3 | | P021-004964 | 1 | HANDLE SET, REAR | | Sr/Nr 36002100 and before | |
| 3 | | P021-004965 | 1 | HANDLE SET, REAR | | Sr/Nr 36002100 and before | |
| 3 | | P021-004966 | 1 | HANDLE SET, REAR | | Sr/Nr 36002100 and before | |
| 3 | | P021-004967 | 1 | HANDLE SET, REAR | | Sr/Nr 36002100 and before | |
| 3 | | P021-004968 | 1 | HANDLE SET, REAR | | Sr/Nr 36002100 and before | |
| 3 | | P021-004969 | 1 | HANDLE SET, REAR | | Sr/Nr 36002100 and before | |
| 3 | | P021-011510 | 1 | HANDLE, REAR | | Sr/Nr 36002101 and after | |

5. Handle



| KEY | LV | PART NUMBER | Q'TY | DESCRIPTION | REMARKS | NOTE1 | NOTE2 |
|-----|----|--------------|------|------------------|---------|------------------------------|-------|
| 27 | + | A202-000033 | 1 | BELLOWS,INTAKE | | Sr/Nr 36002101 and after | |
| 4 | + | 130020-33330 | 2 | NUT | | | |
| 5 | + | 900256-04016 | 4 | SCREW 4*16 | 4*16 | | |
| 6 | | 900256-04016 | 2 | SCREW 4*16 | 4*16 | | |
| 7 | | C400-000160 | 1 | HANDLE,FRONT | | | |
| 8 | | 900253-05020 | 1 | SCREW 5*20 | 5*20 | | |
| 9 | | C450-000010 | 1 | TRIGGER,THROTTLE | | | |
| 10 | | C454-000070 | 1 | ROD,THROTTLE | | | |
| 11 | | V452-000010 | 1 | SPRING,TORSION | | | |
| 12 | | C460-000000 | 1 | LOCKOUT,THROTTLE | | Sus. by C460- 000002 | |
| 12 | | C460-000001 | 1 | LOCKOUT,THROTTLE | | Sus. by C460- 000002 | |
| 12 | | C460-000002 | 1 | LOCKOUT,THROTTLE | | | |
| 13 | | A240-000001 | 1 | ROD,CHOKE | | Sus. by A240- 000010 | |
| 13 | | A240-000010 | 1 | ROD,CHOKE | | | |
| 15 | | V400-000020 | 2 | CUSHION,4 | | Sus. by V400- 000021 | |
| 15 | | V400-000021 | 2 | CUSHION,4 | | | |
| 16 | | V202-000000 | 3 | BOLT,4 | | Sr/Nr 35004160 and before | |
| 16 | | V202-000000 | 2 | BOLT,4 | | Sr/Nr 35004161 and after | |
| 17 | | 100910-18830 | 1 | CUSHION | | | |

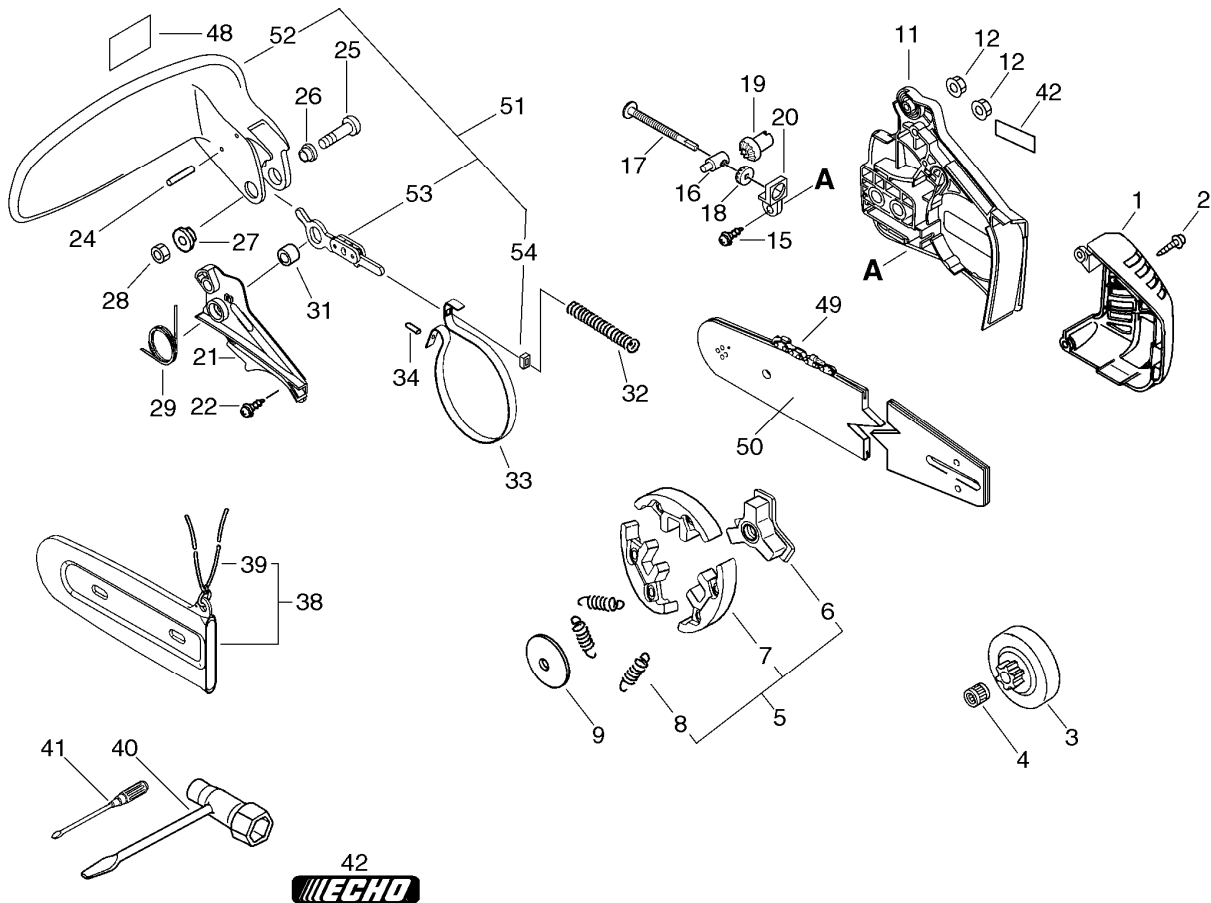
5. Handle



| KEY | LV | PART NUMBER | Q'TY | DESCRIPTION | REMARKS | NOTE1 | NOTE2 |
|-----|----|--------------|------|---------------|---------|-----------------------------|-------|
| 18 | | 100918-15130 | 3 | CAP | | | |
| 20 | | V486-000010 | 1 | TERMINAL,LEAD | | | |
| 21 | | V485-000340 | 1 | LEAD | | | |
| 22 | | X524-000910 | 1 | LABEL | | | |
| 25 | | V352-000020 | 1 | COLLAR,4 | | Sr/Nr 35004161 and after | |
| 26 | | 91481-04035 | 1 | SCREW TAPPING | | Sr/Nr 35004161 and after | |

6. Clutch, Sprocket, Tools

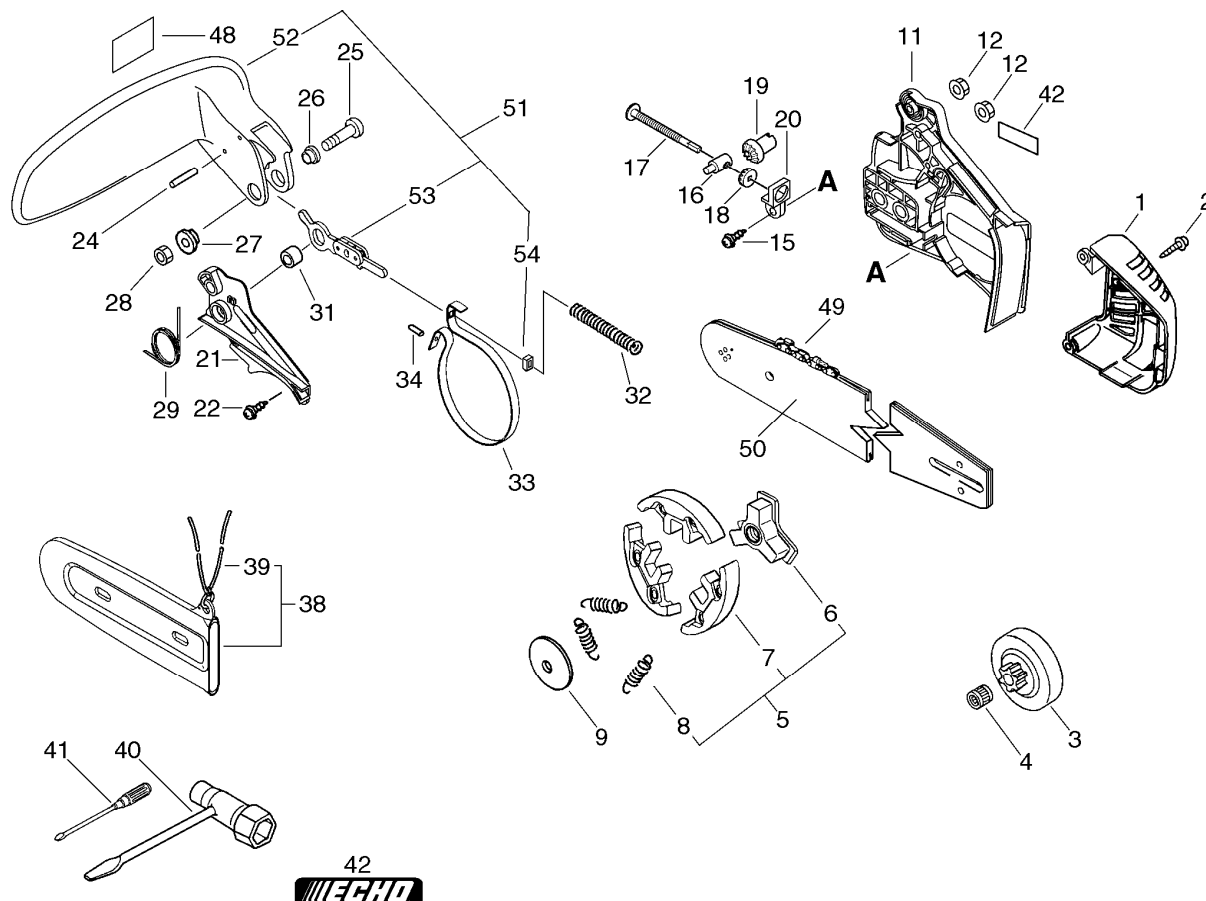
No.6



| KEY | LV | PART NUMBER | Q'TY | DESCRIPTION | REMARKS | NOTE1 | NOTE2 |
|-----|----|--------------|------|-----------------|---------------|----------------------|-------|
| 1 | | A320-000180 | 1 | COVER,MUFFLER | | Sus. by A320-000183 | |
| 1 | | A320-000181 | 1 | COVER,MUFFLER | | Sus. by A320-000183 | |
| 1 | | A320-000182 | 1 | COVER,MUFFLER | | Sus. by A320-000183 | |
| 1 | | A320-000183 | 1 | COVER,MUFFLER | | | |
| 2 | | 900253-04016 | 2 | SCREW 4*16 | 4*16 | | |
| 3 | | 175005-39132 | 1 | DRUM, CLUTCH | 3/8A | | |
| 4 | | 175012-35630 | 1 | BEARING, NEEDLE | 10*13*10 | Sus. by 175012-00831 | |
| 4 | | 175012-00831 | 1 | BEARING, NEEDLE | | | |
| 5 | | A056-000070 | 1 | CLUTCH | | | |
| 6 | + | A552-000020 | 1 | HUB,CLUTCH | | | |
| 7 | + | P021-005810 | 1 | CLUTCH SHOE SET | | | |
| 8 | + | V451-000470 | 3 | SPRING,TENSION | | | |
| 9 | | A551-000010 | 1 | PLATE,CLUTCH | | | |
| 10 | | 175014-39130 | 1 | WASHER, CLUTCH | 10.2*25*1.2 | Sus. by 175014-39131 | |
| 10 | | 175014-39131 | 1 | WASHER, CLUTCH | 10.2*24.5*1.2 | Sus. by V308-000030 | |
| 11 | | C300-000122 | 1 | GUARD,SPROCKET | | Sus. by C300-000125 | |
| 11 | | C300-000123 | 1 | GUARD,SPROCKET | | Sus. by C300-000125 | |

6. Clutch, Sprocket, Tools

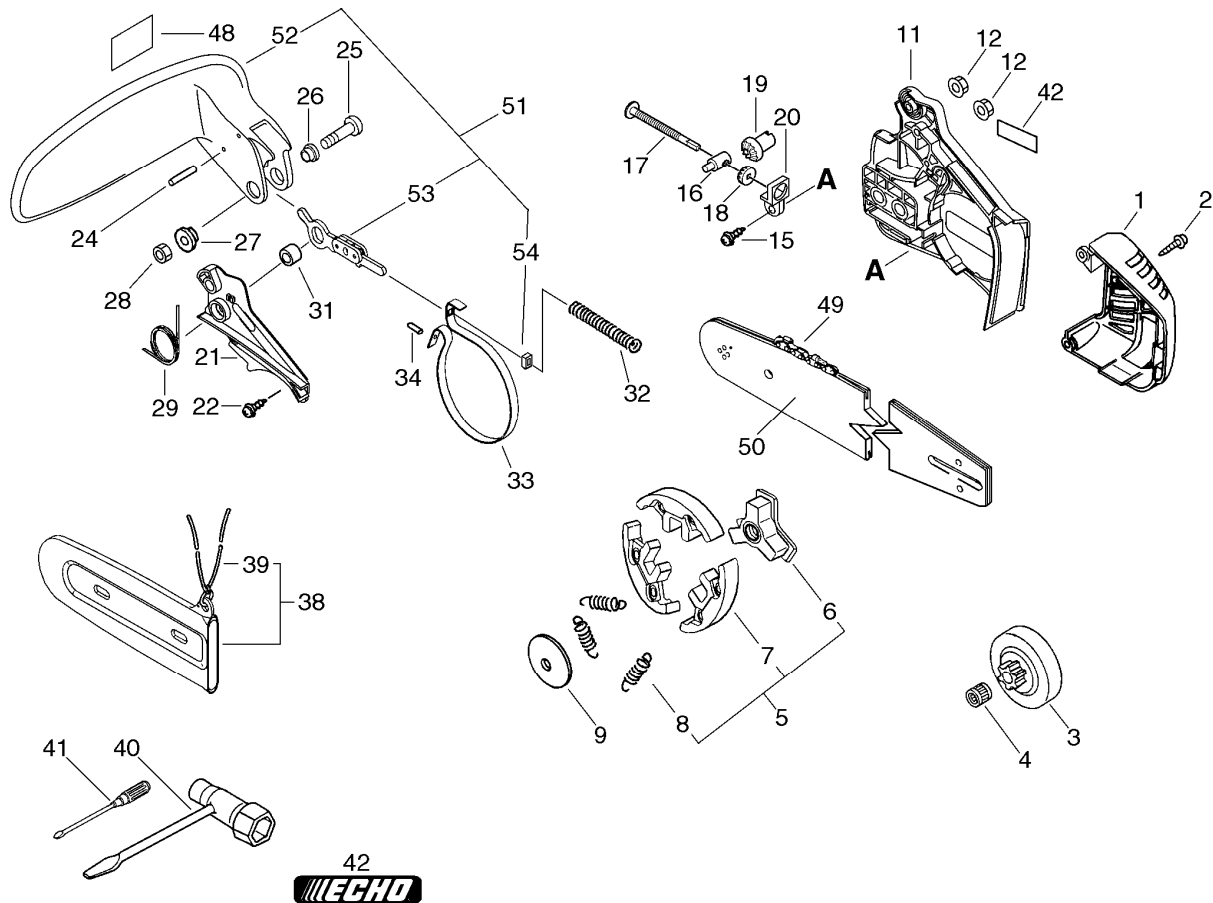
No.6



| KEY | LV | PART NUMBER | Q'TY | DESCRIPTION | REMARKS | NOTE1 | NOTE2 |
|-----|----|--------------|------|-----------------|---------|---------------------------|-------|
| 11 | | C300-000124 | 1 | GUARD,SPROCKET | | Sus. by C300-000125 | |
| 11 | | C300-000125 | 1 | GUARD,SPROCKET | | Sr/Nr 36001200 and before | |
| 11 | | C300-000240 | 1 | GUARD,SPROCKET | | Sus. by C300-000241 | |
| 11 | | C300-000241 | 1 | GUARD,SPROCKET | | Sr/Nr 36001201 and after | |
| 12 | | 433019-12330 | 1 | NUT, FLANGE 8 | M-8 | Sr/Nr 36001200 and before | |
| 12 | | 433019-03933 | 2 | NUT, FLANGE 6 | 6 | Sr/Nr 36001201 and after | |
| 15 | | 900253-04012 | 1 | SCREW | 4*12 | | |
| 16 | | C309-000030 | 1 | TENSIONER,CHAIN | | | |
| 17 | | V203-000041 | 1 | BOLT,5 | | | |
| 18 | | V651-000011 | 1 | GEAR,BEVEL | | | |
| 19 | | V651-000001 | 1 | GEAR,BEVEL | | | |
| 20 | | V355-000140 | 1 | COLLAR,8 | | | |
| 21 | | C345-000081 | 1 | COVER,BRAKE | | Sus. by C345-000084 | |
| 21 | | C345-000082 | 1 | COVER,BRAKE | | Sus. by C345-000084 | |
| 21 | | C345-000083 | 1 | COVER,BRAKE | | Sus. by C345-000084 | |
| 21 | | C345-000084 | 1 | COVER,BRAKE | | | |
| 22 | | 900253-04012 | 3 | SCREW | 4*12 | | |

6. Clutch, Sprocket, Tools

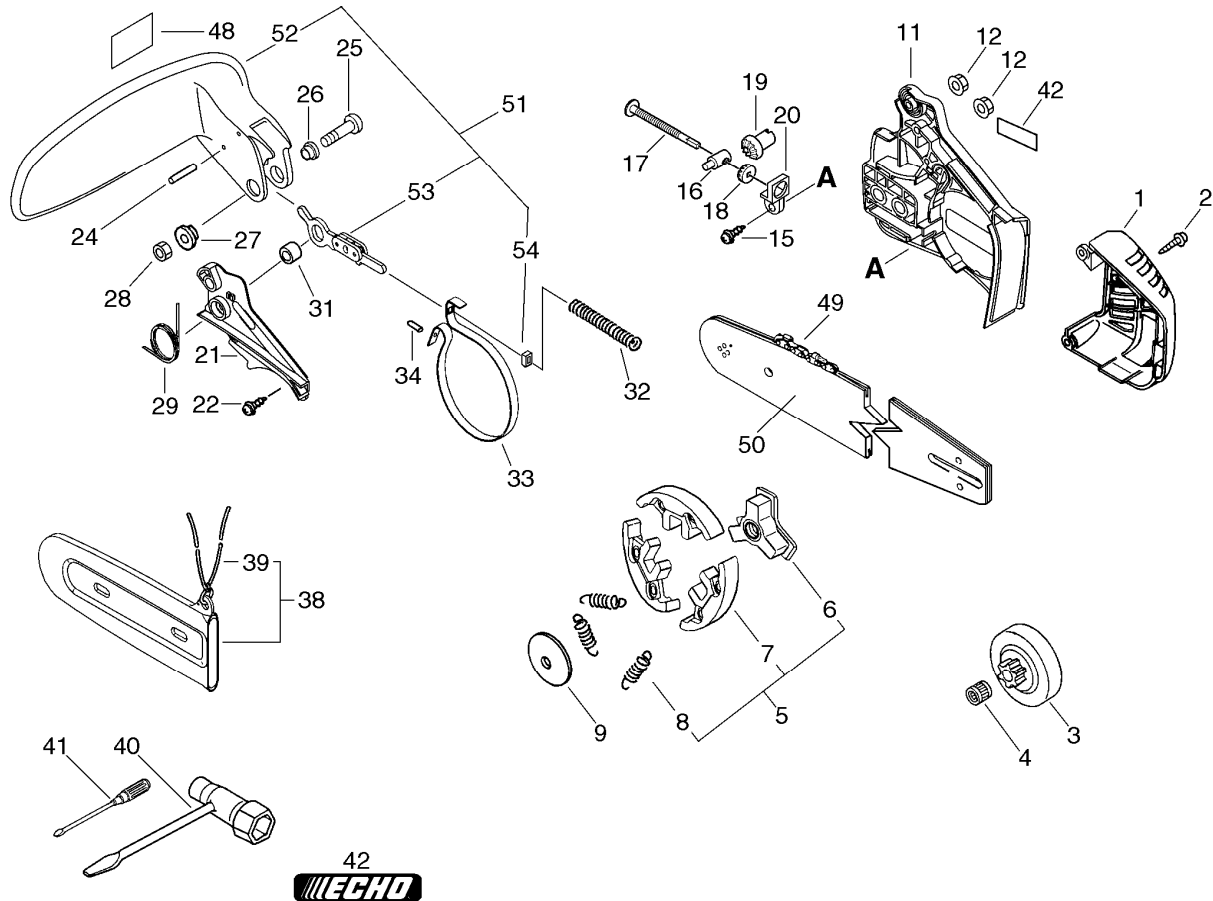
No.6



| KEY | LV | PART NUMBER | Q'TY | DESCRIPTION | REMARKS | NOTE1 | NOTE2 |
|-----|----|--------------|------|---------------------|-----------|---------------------------|-------|
| 24 | | 900330-30260 | 2 | ROLLER 3*26 | 3*26 | | |
| 25 | | 91318-05032 | 1 | SCREW | 5*32 | | |
| 26 | | 433167-39130 | 1 | SPACER | | | |
| 27 | | V353-000060 | 1 | COLLAR,5 | | | |
| 28 | | 900560-00005 | 1 | NUT, LOCK 5 | 5 | Sus. by 900562-50005 | |
| 28 | | 900562-50005 | 1 | LOCKNUT 5 | 5 | | |
| 29 | | V452-000110 | 1 | SPRING,TORSION | | | |
| 31 | | 433116-35430 | 1 | SPACER 8 | 8*12*9 | | |
| 32 | | V450-000070 | 1 | SPRING,COMPRESSION | | | |
| 33 | | C328-000010 | 1 | BAND,BRAKE | | Sus. by C328-000030 | |
| 33 | | C328-000030 | 1 | BAND,BRAKE | | | |
| 34 | | 93050-30098 | 1 | ROLLER | F3*9.8 | | |
| 38 | | P021-004970 | 1 | SCABBARD,CHAIN | カ | Sus. by P021-006950 | |
| 38 | | P021-006950 | 1 | SCABBARD,CHAIN | ECHO コブツキ | OPTION | |
| 39 | + | 898568-30330 | 1 | ROPE | | Sus. by 898568-14530 | |
| 39 | + | 898568-14530 | 1 | ROPE | 5*900 | OPTION | |
| 40 | | 895410-02830 | 1 | WRENCH, W/S. DRIVER | | Sr/Nr 36001200 and before | |
| 40 | | 895410-03930 | 1 | WRENCH, W/S. DRIVER | | Sr/Nr 36001201 and after | |
| 41 | | 895812-03930 | 1 | DRIVER, SCREW 50 | | | |
| 42 | | X502-000020 | 1 | LABEL,ECHO | | | |

6. Clutch, Sprocket, Tools

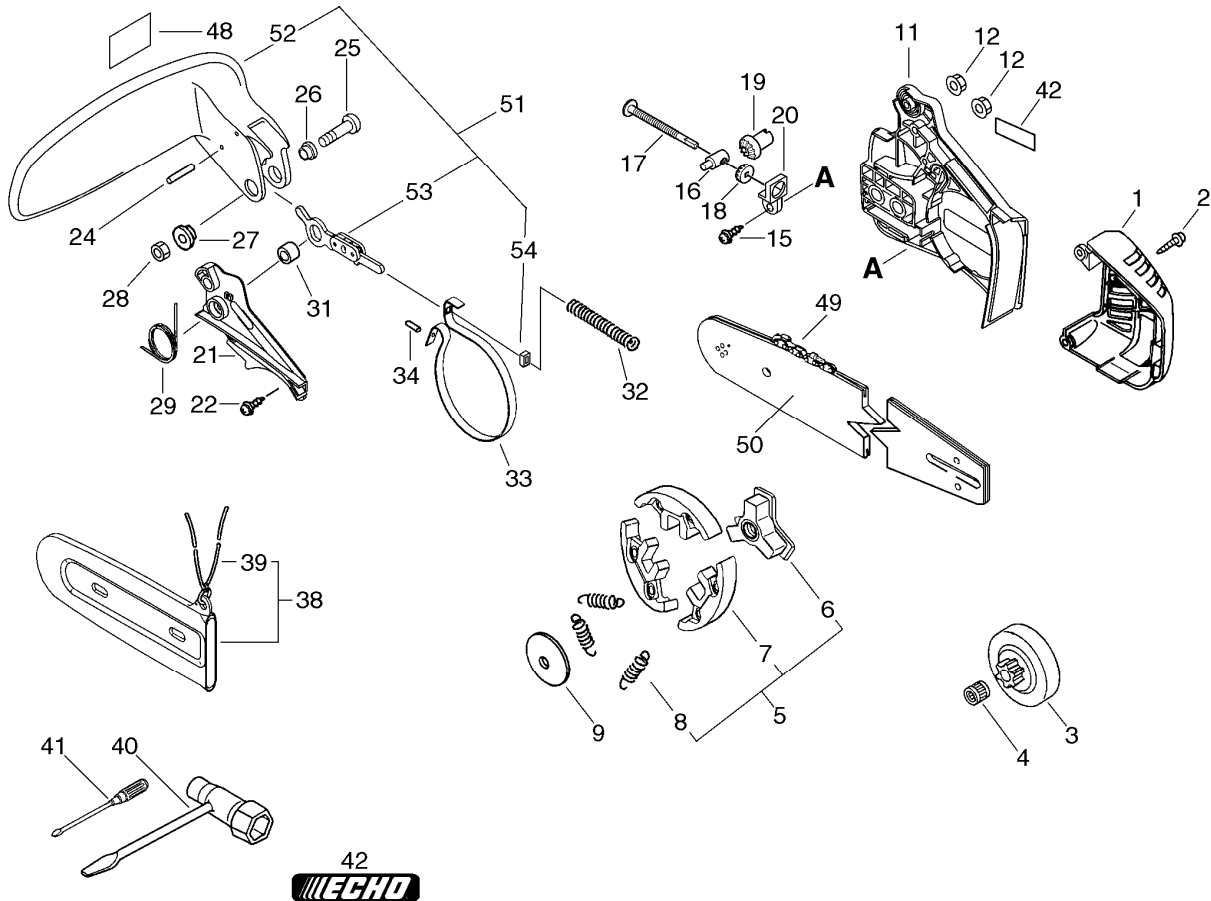
No.6



| KEY | LV | PART NUMBER | Q'TY | DESCRIPTION | REMARKS | NOTE1 | NOTE2 |
|-----|----|--------------|------|----------------------|---------------------|---------------------------|-------|
| 48 | | X505-000370 | 1 | LABEL,CAUTION | | | |
| 49 | | 431010-39230 | 1 | CHAIN, SAW 91VG-47E | 91VG-47E 30C | OPTION | |
| 49 | | 431019-39230 | 1 | CHAIN, SAW 91VG-53E | 91VG-53E 35C | OPTION | |
| 49 | | 431011-39230 | 1 | CHAIN, SAW 91VG-58E | 91VG-58E | OPTION | |
| 50 | | 430210-36930 | 1 | BAR,GUIDE 30RC50-3/8 | 30RC50-3/8 | Sus. by X122-000071 | |
| 50 | | X122-000070 | 1 | BAR,GUIDE30RC50M-3/8 | 30RC50M-3/8 | Sus. by X122-000071 | |
| 50 | | X122-000071 | 1 | BAR,GUIDE30RC50M-3/8 | 30RC50M-3/8 ECHO | OPTION | |
| 50 | | 430219-38730 | 1 | BAR,GUIDE 35RC50-3/8 | 35RC50-3/8 | OPTION | |
| 50 | | 430211-13431 | 1 | BAR,GUIDE 40RC50-3/8 | 40RC50-3/8 | OPTION | |
| 52 | | C320-000030 | 1 | LEVER,BRAKE | | Sus. by P021-007981 | |
| 53 | | C334-000040 | 1 | CONNECTOR,BRAKE | | Sr/Nr 35010292 and before | |
| 54 | | V376-000450 | 1 | SPACER | | Sr/Nr 35010292 and before | |
| 51 | | P021-007980 | 1 | BRAKE LEVER KIT | | Sus. by P021-007981 | |
| 51 | | P021-007981 | 1 | BRAKE LEVER KIT | | | |
| 52 | + | C320-000031 | 1 | LEVER,BRAKE | | Sus. by C320-000032 | |
| 52 | + | C320-000032 | 1 | LEVER,BRAKE | | Sr/Nr 36001001 and after | |

6. Clutch, Sprocket, Tools

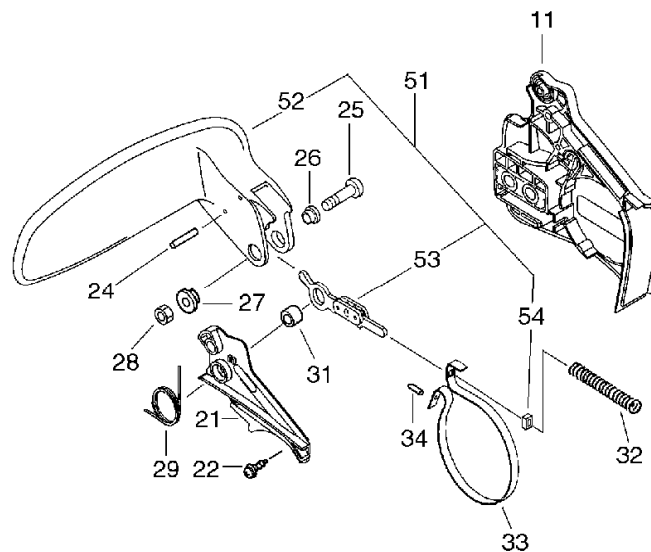
No.6



| KEY | LV | PART NUMBER | Q'TY | DESCRIPTION | REMARKS | NOTE1 | NOTE2 |
|-----|----|-------------|------|-----------------|---------|--------------------------|-------|
| 53 | + | C334-000060 | 1 | CONNECTOR,BRAKE | | Sus. by C334-000070 | |
| 53 | + | C334-000070 | 1 | CONNECTOR,BRAKE | | Sr/Nr 36001001 and after | |
| 54 | + | V376-000540 | 1 | SPACER | | Sus. by V376-000450 | |
| 54 | + | V376-000450 | 1 | SPACER | | Sr/Nr 36001001 and after | |

7. Chain Brake Asy

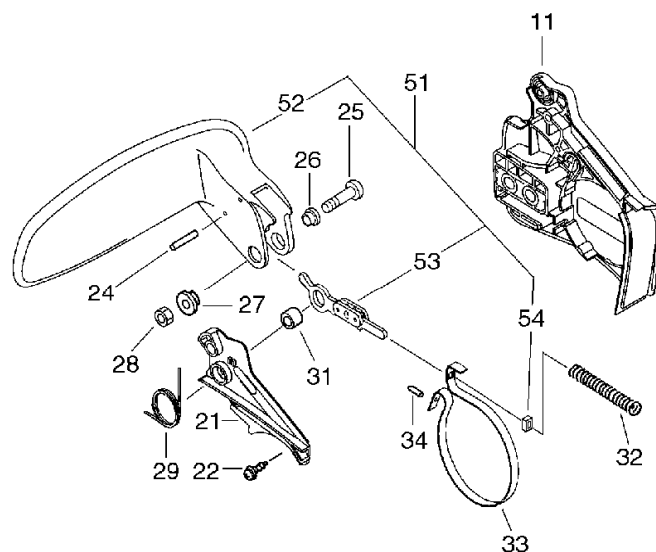
No.7



| KEY | LV | PART NUMBER | Q'TY | DESCRIPTION | REMARKS | NOTE1 | NOTE2 |
|-----|----|-------------|------|-----------------|---------|---------------------------|-------|
| | | C032-000122 | 1 | BRAKE,ASM CHAIN | | Sus. by C032-000127 | |
| | | C032-000123 | 1 | BRAKE,ASM CHAIN | | Sus. by C032-000127 | |
| | | C032-000124 | 1 | BRAKE,ASM CHAIN | | Sus. by C032-000127 | |
| | | C032-000125 | 1 | BRAKE,ASM CHAIN | | Sus. by C032-000127 | |
| | | C032-000126 | 1 | BRAKE,ASM CHAIN | | Sus. by C032-000127 | |
| | | C032-000127 | 1 | BRAKE,ASM CHAIN | | Sr/Nr 36001200 and before | |
| | | C032-000200 | 1 | BRAKE,ASM CHAIN | | Sus. by C032-000203 | |
| | | C032-000201 | 1 | BRAKE,ASM CHAIN | | Sus. by C032-000203 | |
| | | C032-000202 | 1 | BRAKE,ASM CHAIN | | Sus. by C032-000203 | |
| | | C032-000203 | 1 | BRAKE,ASM CHAIN | | Sus. by C032-000204 | |
| | | C032-000204 | 1 | BRAKE,ASM CHAIN | | | |
| 11 | + | C300-000122 | 1 | GUARD,SPROCKET | | Sus. by C300-000125 | |
| 11 | + | C300-000123 | 1 | GUARD,SPROCKET | | Sus. by C300-000125 | |

7. Chain Brake Asy

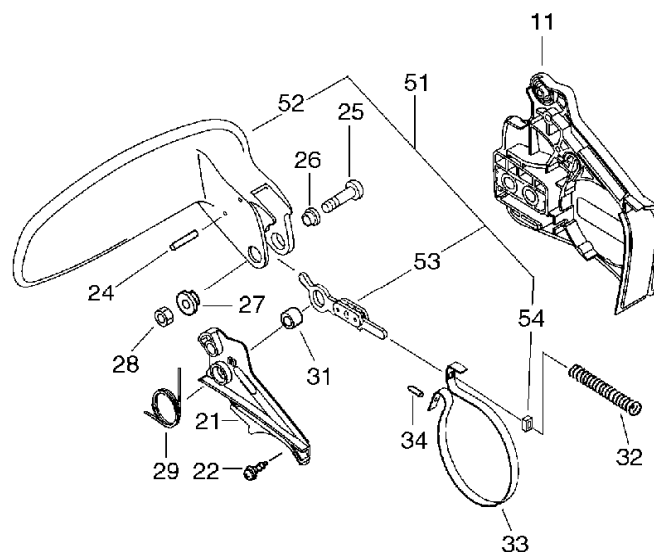
No.7



| KEY | LV | PART NUMBER | Q'TY | DESCRIPTION | REMARKS | NOTE1 | NOTE2 |
|-----|----|--------------|------|----------------|---------|---------------------------|-------|
| 11 | + | C300-000124 | 1 | GUARD,SPROCKET | | Sus. by C300-000125 | |
| 11 | + | C300-000125 | 1 | GUARD,SPROCKET | | Sr/Nr 36001200 and before | |
| 11 | + | C300-000240 | 1 | GUARD,SPROCKET | | Sus. by C300-000241 | |
| 11 | + | C300-000241 | 1 | GUARD,SPROCKET | | Sus. by C300-000242 | |
| 11 | + | C300-000242 | 1 | GUARD,SPROCKET | | | |
| 21 | + | C345-000081 | 1 | COVER,BRAKE | | Sus. by C345-000084 | |
| 21 | + | C345-000082 | 1 | COVER,BRAKE | | Sus. by C345-000084 | |
| 21 | + | C345-000083 | 1 | COVER,BRAKE | | Sus. by C345-000084 | |
| 21 | + | C345-000084 | 1 | COVER,BRAKE | | | |
| 22 | + | 900253-04012 | 3 | SCREW | 4*12 | | |
| 24 | + | 900330-30260 | 2 | ROLLER 3*26 | 3*26 | | |
| 25 | + | 91318-05032 | 1 | SCREW | 5*32 | | |
| 26 | + | 433167-39130 | 1 | SPACER | | | |
| 27 | + | V353-000060 | 1 | COLLAR,5 | | | |
| 28 | + | 900560-00005 | 1 | NUT, LOCK 5 | 5 | Sus. by 900562-50005 | |
| 28 | + | 900562-50005 | 1 | LOCKNUT 5 | 5 | | |
| 29 | + | V452-000110 | 1 | SPRING,TORSION | | | |
| 31 | + | 433116-35430 | 1 | SPACER 8 | 8*12*9 | | |

7. Chain Brake Asy

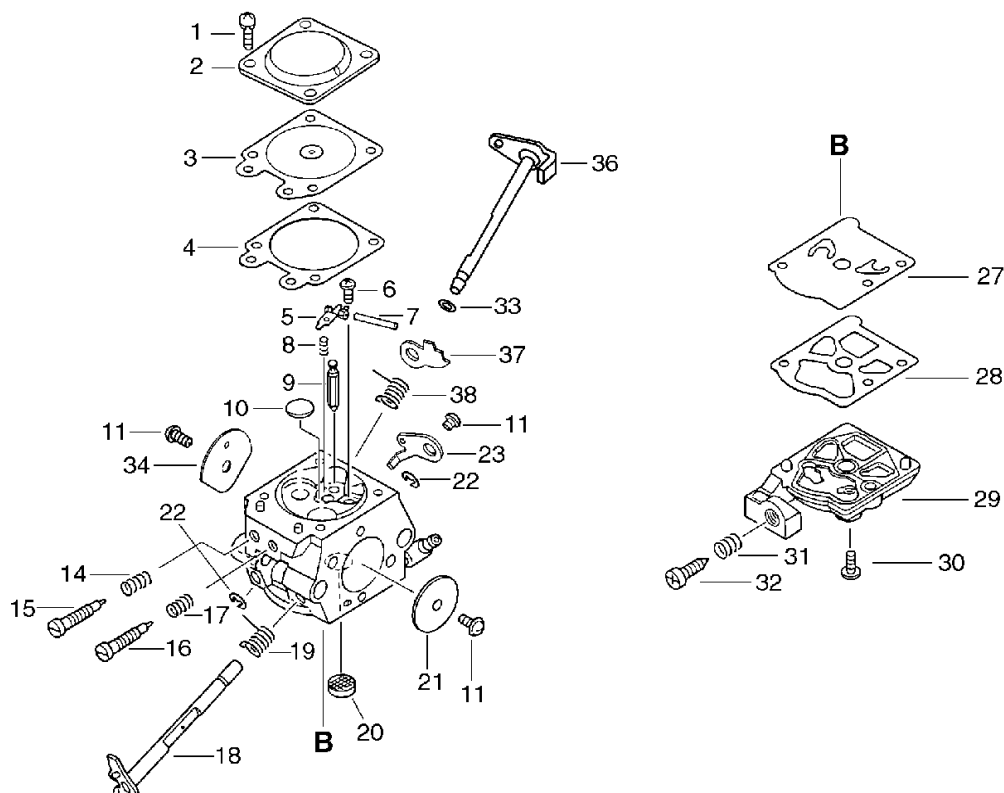
No.7



| KEY | LV | PART NUMBER | Q'TY | DESCRIPTION | REMARKS | NOTE1 | NOTE2 |
|-----|----|-------------|------|---------------------|---------|---------------------------|-------|
| 32 | + | V450-000070 | 1 | SPRING, COMPRESSION | | | |
| 33 | + | C328-000010 | 1 | BAND, BRAKE | | Sus. by C328-000030 | |
| 33 | + | C328-000030 | 1 | BAND, BRAKE | | | |
| 34 | + | 93050-30098 | 1 | ROLLER | F3*9.8 | | |
| 51 | + | P021-007980 | 1 | BRAKE LEVER KIT | | Sus. by P021-007981 | |
| 51 | + | P021-007981 | 1 | BRAKE LEVER KIT | | | |
| 52 | + | C320-000030 | 1 | LEVER, BRAKE | | Sus. by P021-007981 | |
| 52 | ++ | C320-000031 | 1 | LEVER, BRAKE | | Sus. by C320-000032 | |
| 52 | ++ | C320-000032 | 1 | LEVER, BRAKE | | Sr/Nr 36001001 and after | |
| 53 | + | C334-000040 | 1 | CONNECTOR, BRAKE | | Sr/Nr 35010292 and before | |
| 53 | ++ | C334-000060 | 1 | CONNECTOR, BRAKE | | Sus. by C334-000070 | |
| 53 | ++ | C334-000070 | 1 | CONNECTOR, BRAKE | | Sr/Nr 36001001 and after | |
| 54 | + | V376-000450 | 1 | SPACER | | Sr/Nr 35010292 and before | |
| 54 | ++ | V376-000540 | 1 | SPACER | | Sr/Nr 36001001 and after | |

8. Carburetor(Sr/Nr 35010292 and before)

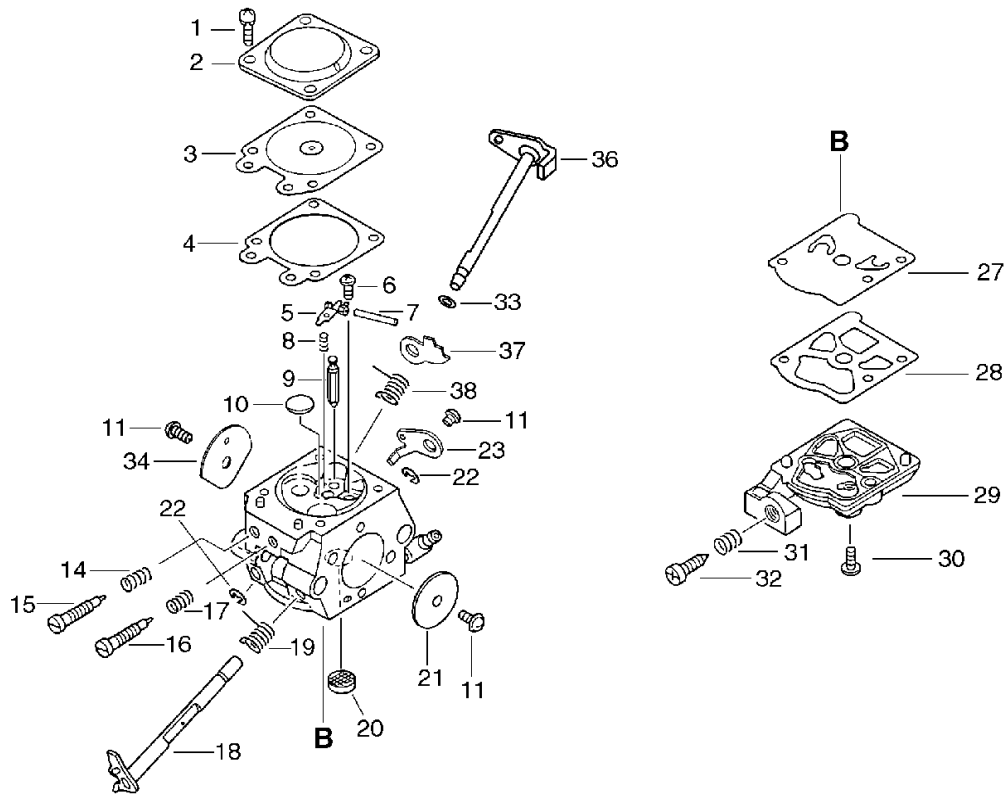
No.8



| KEY | LV | PART NUMBER | Q'TY | DESCRIPTION | REMARKS | NOTE1 | NOTE2 |
|-----|----|--------------|------|----------------------|---------|---------------------|-------|
| | | A021-000600 | 1 | CARBURETOR,DIAPHRAGM | WT-647 | Sus. by A021-000601 | |
| | | A021-000601 | 1 | CARBURETOR,DIAPHRAGM | WT-647 | | |
| 1 | + | 123130-02960 | 4 | SCREW | | | |
| 2 | + | 123142-03930 | 1 | COVER, M. DIAPHRAGM | | | |
| 3 | + | 123141-03930 | 1 | DIAPHRAGM, METERING | | | |
| 4 | + | 123140-03930 | 1 | GASKET, M. DIAPHRAGM | | | |
| 5 | + | 123123-03930 | 1 | LEVER, METERING | | | |
| 6 | + | 123139-03930 | 1 | SCREW, M. LEVER PIN | | | |
| 7 | + | 123138-03930 | 1 | PIN, METERING LEVER | | | |
| 8 | + | 123122-03660 | 1 | SPRING, METER. LEVER | | | |
| 9 | + | 123137-19830 | 1 | VALVE, INLET NEEDLE | | | |
| 10 | + | 123146-10631 | 1 | PLUG, WELCH | | | |
| 11 | + | 123114-38830 | 3 | SCREW | | | |
| 14 | + | 123119-22130 | 1 | SPRING, NEEDLE | | | |
| 15 | + | P003-001010 | 1 | NEEDLE, HIGH SPEED | | | |
| 16 | + | P003-000930 | 1 | NEEDLE, IDLE | | | |
| 17 | + | 123121-22130 | 1 | SPRING, NEEDLE | | | |
| 18 | + | P003-000120 | 1 | SHAFT, THROTTLE | | | |
| 19 | + | 123113-37530 | 1 | SPRING, THROTTLE RTN | | | |
| 20 | + | 123126-10631 | 1 | SCREEN, INLET | | | |
| 21 | + | 123116-03930 | 1 | VALVE, THROTTLE | | | |
| 22 | + | 123127-15030 | 2 | RING | | | |
| 23 | + | P003-000380 | 1 | THROTTLE, LEVER | | | |
| 27 | + | 123112-15030 | 1 | DIAPHRAGM, FUEL PUMP | | | |
| 28 | + | 123125-15030 | 1 | GASKET, FUEL PUMP | | | |

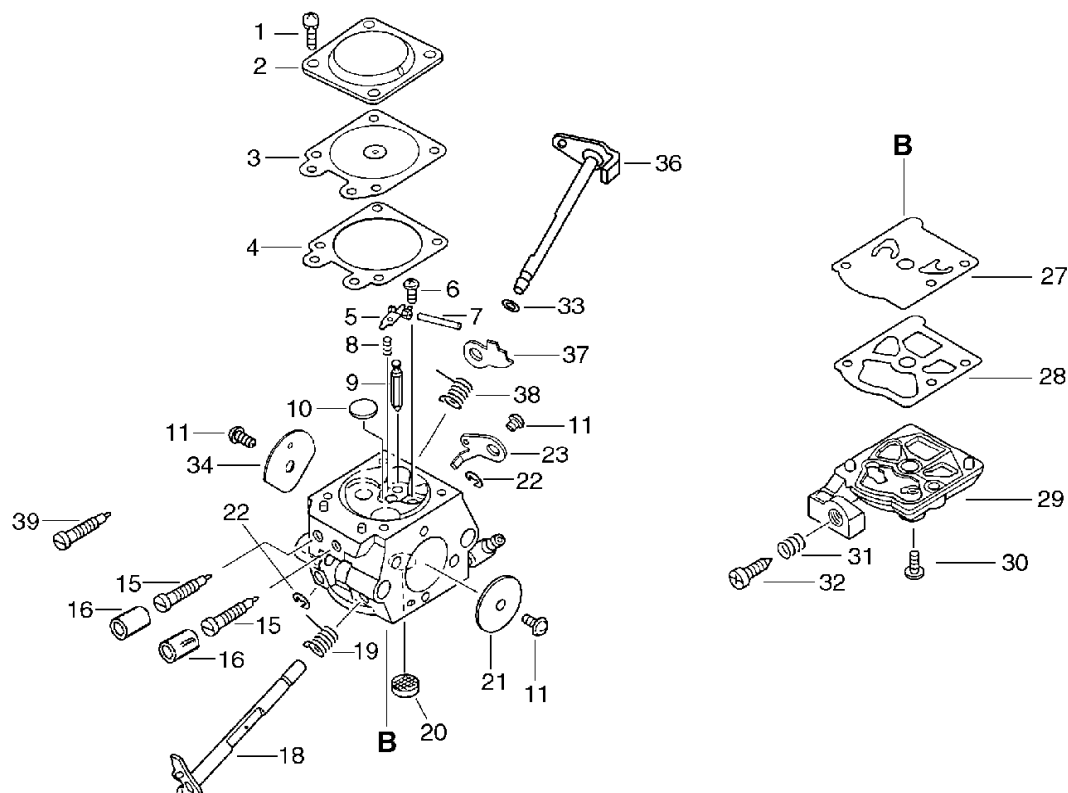
8. Carburetor(Sr/Nr 35010292 and before)

No.8



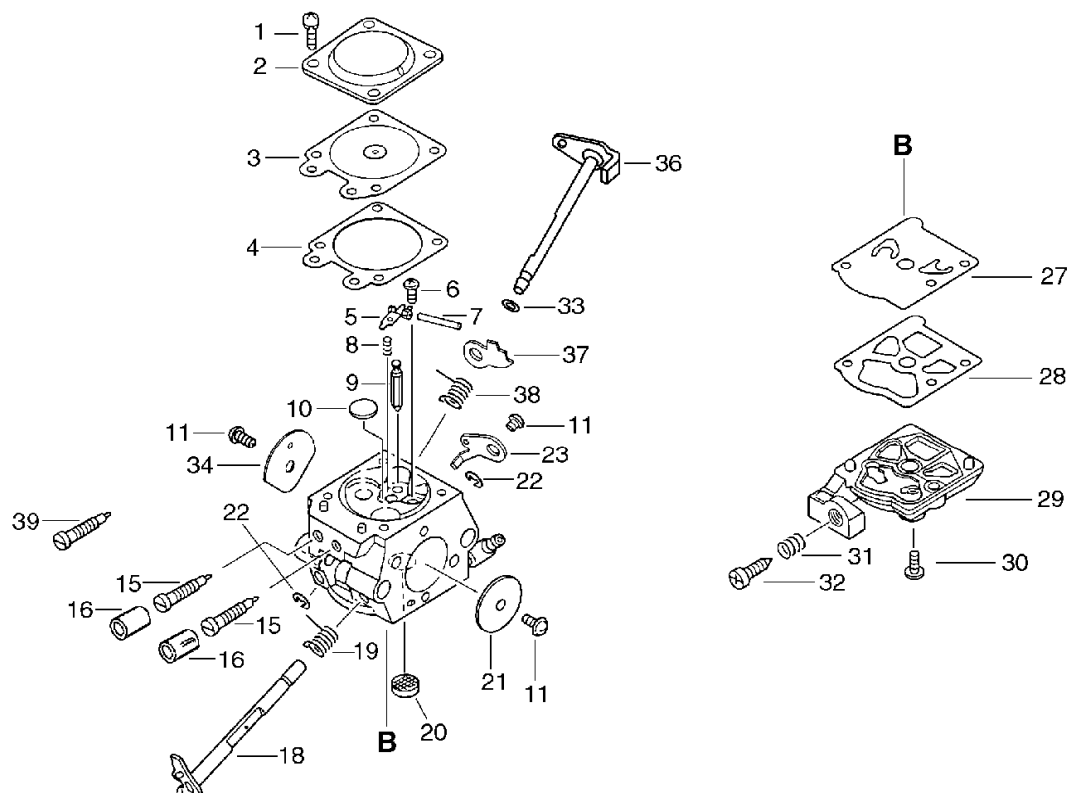
| KEY | LV | PART NUMBER | Q'TY | DESCRIPTION | REMARKS | NOTE1 | NOTE2 |
|-----|----|--------------|------|---------------------|---------|---------------------|-------|
| 29 | + | 123124-24430 | 1 | COVER, FUEL PUMP | | | |
| 30 | + | 123110-03930 | 1 | SCREW, PUMP COVER | | | |
| 31 | + | 123133-04260 | 1 | SPRING, IDLE ADJUST | | | |
| 32 | + | 123134-04260 | 1 | SCREW, IDLE ADJUST | | | |
| 33 | + | 123149-26030 | 1 | WASHER | | | |
| 34 | + | 123132-35430 | 1 | VALVE, CHOKE | | | |
| 36 | + | P003-001000 | 1 | SHAFT, CHOKE | | Sus. by P003-001140 | |
| 36 | + | P003-001140 | 1 | SHAFT, CHOKE | | | |
| 37 | + | P003-000160 | 1 | LEVER-FAST IDLE | | | |
| 38 | + | P003-000140 | 1 | SPRING | | | |

9. Carburetor(Sr/Nr 36001001 and after)



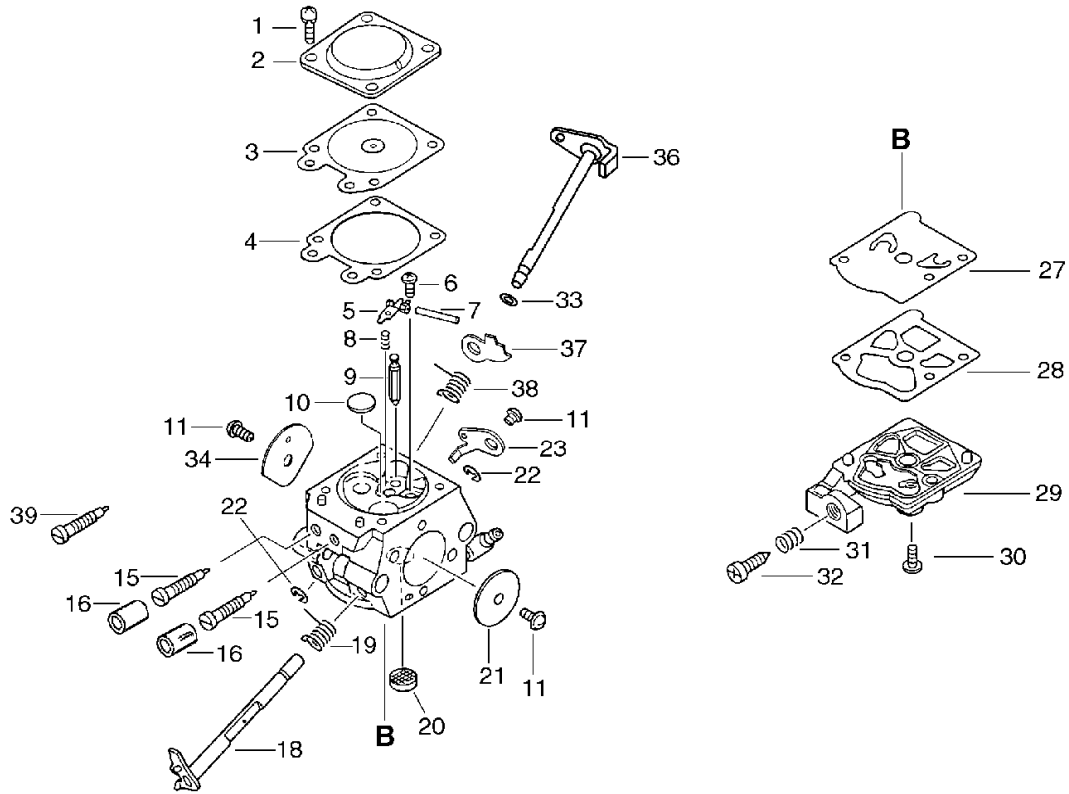
| KEY | LV | PART NUMBER | Q'TY | DESCRIPTION | REMARKS | NOTE1 | NOTE2 |
|-----|----|--------------|------|----------------------|---------|-------------------------------------|-------|
| | | A021-000860 | 1 | CARBURETOR,DIAPHRAGM | WT-698 | Sus. by A021-000862 | |
| | | A021-000861 | 1 | CARBURETOR,DIAPHRAGM | WT-698A | Sus. by A021-000862 | |
| | | A021-000862 | 1 | CARBURETOR,DIAPHRAGM | WT-698A | | |
| 1 | + | 123130-02960 | 4 | SCREW | | | |
| 2 | + | 123142-03930 | 1 | COVER, M. DIAPHRAGM | | | |
| 3 | + | 123141-03930 | 1 | DIAPHRAGM, METERING | | | |
| 4 | + | 123140-03930 | 1 | GASKET, M. DIAPHRAGM | | | |
| 5 | + | 123123-03930 | 1 | LEVER, METERING | | | |
| 6 | + | 123139-03930 | 1 | SCREW, M. LEVER PIN | | | |
| 7 | + | 123138-03930 | 1 | PIN, METERING LEVER | | | |
| 8 | + | 123122-03660 | 1 | SPRING, METER. LEVER | | | |
| 8 | + | 123122-39830 | 1 | SPRING, METER. LEVER | | Can be used on the A021-000862 only | |
| 9 | + | 123137-19830 | 1 | VALVE, INLET NEEDLE | | | |
| 10 | + | 123146-10631 | 1 | PLUG, WELCH | | | |
| 11 | + | 123114-38830 | 3 | SCREW | | | |
| 15 | + | 123118-02261 | 2 | NEEDLE | | Sus. by 132013-26630 Q'ty:1 | |
| 15 | + | 123118-02261 | 1 | NEEDLE | | Can be used on the A021-000861 only | |
| 16 | + | P003-000010 | 2 | LIMITER CAP | | | |

9. Carburetor(Sr/Nr 36001001 and after)



| KEY | LV | PART NUMBER | Q'TY | DESCRIPTION | REMARKS | NOTE1 | NOTE2 |
|-----|----|--------------|------|----------------------|---------|-------------------------------------|-------|
| 18 | + | P003-000480 | 1 | SHAFT, THROTTLE | | | |
| 19 | + | 123113-37530 | 1 | SPRING, THROTTLE RTN | | | |
| 20 | + | 123126-10631 | 1 | SCREEN, INLET | | | |
| 21 | + | 123116-10530 | 1 | VALVE, THROTTLE | | | |
| 22 | + | 123127-15030 | 2 | RING | | | |
| 23 | + | P003-000380 | 1 | THROTTLE, LEVER | | | |
| 27 | + | 123112-15030 | 1 | DIAPHRAGM, FUEL PUMP | | | |
| 28 | + | 123125-15030 | 1 | GASKET, FUEL PUMP | | | |
| 29 | + | 123124-24430 | 1 | COVER, FUEL PUMP | | | |
| 30 | + | 123110-03930 | 1 | SCREW, PUMP COVER | | | |
| 31 | + | 123133-04260 | 1 | SPRING, IDLE ADJUST | | | |
| 32 | + | 123134-04260 | 1 | SCREW, IDLE ADJUST | | | |
| 33 | + | 123149-26030 | 1 | WASHER | | | |
| 34 | + | 123132-35430 | 1 | VALVE, CHOKE | | | |
| 36 | + | P003-001140 | 1 | SHAFT, CHOKE | | | |
| 37 | + | P003-000160 | 1 | LEVER-FAST IDLE | | | |
| 37 | + | P003-001480 | 1 | LEVER-FAST IDLE | | Can be used on the A021-000862 only | |
| 37 | + | P003-001510 | 1 | LEVER-FAST IDLE | | Can be used on the A021-000862 only | |
| 38 | + | P003-000140 | 1 | SPRING | | | |
| 38 | + | P003-001470 | 1 | SPRING | | Can be used on the A021-000862 only | |

9. Carburetor(Sr/Nr 36001001 and after)



| KEY | LV | PART NUMBER | Q'TY | DESCRIPTION | REMARKS | NOTE1 | NOTE2 |
|-----|----|-------------|------|-------------|---------|-------|-------|
|-----|----|-------------|------|-------------|---------|-------|-------|

| | | | | | | | |
|----|---|--------------|---|--------------------|--|--|--|
| 39 | + | 123120-52131 | 1 | NEEDLE, HIGH SPEED | | | |
|----|---|--------------|---|--------------------|--|--|--|

Can be used on the
A021-000862 only

Index

| Patrs Number | Key No. | Patrs Number | Key No. | Patrs Number | Key No. |
|---------------------|----------------|---------------------|----------------|---------------------|----------------|
| 100011-46430 | 1 - 4 | 123140-03930 | 8 - 4 | 895410-03930 | 6 - 40 |
| 100013-15330 | 1 - 5 | 123140-03930 | 9 - 4 | 895812-03930 | 6 - 41 |
| 100014-60930 | 1 - 7 | 123141-03930 | 8 - 3 | 898568-14530 | 6 - 39 |
| 100015-04630 | 1 - 6 | 123141-03930 | 9 - 3 | 898568-30330 | 6 - 39 |
| 100142-12330 | 1 - 30 | 123142-03930 | 8 - 2 | 900105-05014 | 3 - 7 |
| 100910-18830 | 5 - 17 | 123142-03930 | 9 - 2 | 900106-05020 | 1 - 19 |
| 100918-15130 | 5 - 18 | 123146-10631 | 8 - 10 | 900106-05020 | 1 - 19 |
| 123110-03930 | 8 - 30 | 123146-10631 | 9 - 10 | 900106-05030 | 1 - 24 |
| 123110-03930 | 9 - 30 | 123149-26030 | 8 - 33 | 900162-05025 | 1 - 2 |
| 123112-15030 | 8 - 27 | 123149-26030 | 9 - 33 | 900238-04012 | 4 - 4 |
| 123112-15030 | 9 - 27 | 130020-33330 | 5 - 4 | 900238-05012 | 1 - 34 |
| 123113-37530 | 8 - 19 | 131051-19830 | 4 - 7 | 900238-05022 | 3 - 9 |
| 123113-37530 | 9 - 19 | 131051-19830 | 4 - 7 | 900238-05050 | 2 - 10 |
| 123114-38830 | 8 - 11 | 131205-14930 | 4 - 19 | 900250-04008 | 2 - 7 |
| 123114-38830 | 9 - 11 | 131300-56430 | 4 - 21 | 900253-04010 | 1 - 18 |
| 123116-03930 | 8 - 21 | 132013-09820 | 4 - 18 | 900253-04012 | 1 - 21 |
| 123116-10530 | 9 - 21 | 132013-26630 | 4 - 12 | 900253-04012 | 6 - 15 |
| 123118-02261 | 9 - 15 | 132013-26630 | 4 - 12 | 900253-04012 | 6 - 22 |
| 123118-02261 | 9 - 15 | 132115-01461 | 4 - 13 | 900253-04012 | 7 - 22 |
| 123119-22130 | 8 - 14 | 145510-13931 | 2 - 4 | 900253-04016 | 6 - 2 |
| 123120-52131 | 9 - 39 | 150117-16430 | 3 - 10 | 900253-05020 | 1 - 26 |
| 123121-22130 | 8 - 17 | 156110-04920 | 3 - 13 | 900253-05020 | 1 - 28 |
| 123122-03660 | 8 - 8 | 162010-55930 | 3 - 11 | 900253-05020 | 5 - 8 |
| 123122-03660 | 9 - 8 | 163911-30130 | 1 - 22 | 900256-04016 | 3 - 27 |
| 123122-39830 | 9 - 8 | 175005-39132 | 6 - 3 | 900256-04016 | 5 - 5 |
| 123123-03930 | 8 - 5 | 175012-00831 | 6 - 4 | 900256-04016 | 5 - 6 |
| 123123-03930 | 9 - 5 | 175012-35630 | 6 - 4 | 900330-30260 | 6 - 24 |
| 123124-24430 | 8 - 29 | 175014-39130 | 6 - 10 | 900330-30260 | 7 - 24 |
| 123124-24430 | 9 - 29 | 175014-39131 | 6 - 10 | 900515-00008 | 3 - 2 |
| 123125-15030 | 8 - 28 | 177234-35430 | 3 - 3 | 900560-00005 | 6 - 28 |
| 123125-15030 | 9 - 28 | 177236-44330 | 3 - 21 | 900560-00005 | 7 - 28 |
| 123126-10631 | 8 - 20 | 177247-04630 | 3 - 5 | 900562-50005 | 6 - 28 |
| 123126-10631 | 9 - 20 | 430210-36930 | 6 - 50 | 900562-50005 | 7 - 28 |
| 123127-15030 | 8 - 22 | 430211-13431 | 6 - 50 | 900603-00005 | 3 - 6 |
| 123127-15030 | 9 - 22 | 430219-38730 | 6 - 50 | 900720-00018 | 4 - 6 |
| 123130-02960 | 8 - 1 | 431010-39230 | 6 - 49 | 900720-00018 | 4 - 6 |
| 123130-02960 | 9 - 1 | 431011-39230 | 6 - 49 | 900724-00004 | 1 - 29 |
| 123132-35430 | 8 - 34 | 431019-39230 | 6 - 49 | 91107-05040 | 2 - 6 |
| 123132-35430 | 9 - 34 | 433011-03931 | 1 - 17 | 91318-05032 | 6 - 25 |
| 123133-04260 | 8 - 31 | 433019-03933 | 6 - 12 | 91318-05032 | 7 - 25 |
| 123133-04260 | 9 - 31 | 433019-12330 | 6 - 12 | 91420-05012 | 1 - 34 |
| 123134-04260 | 8 - 32 | 433026-35430 | 1 - 25 | 91481-04035 | 5 - 26 |
| 123134-04260 | 9 - 32 | 433116-35430 | 6 - 31 | 93050-30098 | 6 - 34 |
| 123137-19830 | 8 - 9 | 433116-35430 | 7 - 31 | 93050-30098 | 7 - 34 |
| 123137-19830 | 9 - 9 | 433167-39130 | 6 - 26 | 94035-36201 | 1 - 10 |
| 123138-03930 | 8 - 7 | 433167-39130 | 7 - 26 | A021-000600 | 2 - 8 |
| 123138-03930 | 9 - 7 | 436114-13930 | 4 - 9 | A021-000600 | 8 - |
| 123139-03930 | 8 - 6 | 436205-02832 | 4 - 10 | A021-000601 | 2 - 8 |
| 123139-03930 | 9 - 6 | 895410-02830 | 6 - 40 | A021-000601 | 8 - |

Index

| Patrs Number | Key No. | Patrs Number | Key No. | Patrs Number | Key No. |
|---------------------|----------------|---------------------|----------------|---------------------|----------------|
| A021-000860 | 2 - 8 | C032-000122 | 7 - | C345-000083 | 6 - 21 |
| A021-000860 | 9 - | C032-000123 | 7 - | C345-000083 | 7 - 21 |
| A021-000861 | 2 - 8 | C032-000124 | 7 - | C345-000084 | 6 - 21 |
| A021-000861 | 9 - | C032-000125 | 7 - | C345-000084 | 7 - 21 |
| A021-000862 | 2 - 8 | C032-000126 | 7 - | C400-000160 | 5 - 7 |
| A021-000862 | 9 - | C032-000127 | 7 - | C450-000010 | 5 - 9 |
| A051-000540 | 3 - 20 | C032-000200 | 7 - | C454-000070 | 5 - 10 |
| A056-000070 | 6 - 5 | C032-000201 | 7 - | C460-000000 | 5 - 12 |
| A127-000050 | 1 - 20 | C032-000202 | 7 - | C460-000001 | 5 - 12 |
| A172-000360 | 3 - 18 | C032-000203 | 7 - | C460-000002 | 5 - 12 |
| A172-000361 | 3 - 18 | C032-000204 | 7 - | P003-000010 | 9 - 16 |
| A202-000030 | 1 - 31 | C300-000122 | 6 - 11 | P003-000120 | 8 - 18 |
| A202-000031 | 1 - 31 | C300-000122 | 7 - 11 | P003-000140 | 8 - 38 |
| A202-000032 | 1 - 31 | C300-000123 | 6 - 11 | P003-000140 | 9 - 38 |
| A202-000033 | 5 - 27 | C300-000123 | 7 - 11 | P003-000160 | 8 - 37 |
| A204-000041 | 2 - 9 | C300-000124 | 6 - 11 | P003-000160 | 9 - 37 |
| A204-000050 | 2 - 9 | C300-000124 | 7 - 11 | P003-000380 | 8 - 23 |
| A204-000051 | 2 - 9 | C300-000125 | 6 - 11 | P003-000380 | 9 - 23 |
| A204-000052 | 2 - 9 | C300-000125 | 7 - 11 | P003-000480 | 9 - 18 |
| A226-000180 | 2 - 12 | C300-000240 | 6 - 11 | P003-000930 | 8 - 16 |
| A232-000160 | 2 - 13 | C300-000240 | 7 - 11 | P003-001000 | 8 - 36 |
| A235-000040 | 2 - 14 | C300-000241 | 6 - 11 | P003-001010 | 8 - 15 |
| A239-000000 | 5 - 2 | C300-000241 | 7 - 11 | P003-001140 | 8 - 36 |
| A240-000001 | 5 - 13 | C300-000242 | 7 - 11 | P003-001140 | 9 - 36 |
| A240-000010 | 5 - 13 | C304-000000 | 1 - 27 | P003-001470 | 9 - 38 |
| A253-000041 | 5 - 1 | C305-000060 | 1 - 15 | P003-001480 | 9 - 37 |
| A253-000042 | 5 - 1 | C305-000061 | 1 - 15 | P003-001510 | 9 - 37 |
| A253-000043 | 5 - 1 | C305-000070 | 1 - 15 | P021-001980 | 4 - 1 |
| A300-000370 | 2 - 2 | C309-000030 | 6 - 16 | P021-001991 | 4 - 5 |
| A301-000000 | 2 - 5 | C320-000030 | 6 - 52 | P021-002001 | 4 - 8 |
| A303-000040 | 2 - 3 | C320-000030 | 7 - 52 | P021-004950 | 2 - 1 |
| A303-000041 | 2 - 3 | C320-000031 | 6 - 52 | P021-004951 | 2 - 1 |
| A320-000180 | 6 - 1 | C320-000031 | 7 - 52 | P021-004952 | 2 - 1 |
| A320-000181 | 6 - 1 | C320-000032 | 6 - 52 | P021-004961 | 5 - 3 |
| A320-000182 | 6 - 1 | C320-000032 | 7 - 52 | P021-004962 | 5 - 3 |
| A320-000183 | 6 - 1 | C328-000010 | 6 - 33 | P021-004963 | 5 - 3 |
| A365-000050 | 4 - 7 | C328-000010 | 7 - 33 | P021-004964 | 5 - 3 |
| A365-000050 | 4 - 7 | C328-000030 | 6 - 33 | P021-004965 | 5 - 3 |
| A409-000170 | 3 - 1 | C328-000030 | 7 - 33 | P021-004966 | 5 - 3 |
| A411-000150 | 3 - 8 | C334-000040 | 6 - 53 | P021-004967 | 5 - 3 |
| A425-000000 | 3 - 14 | C334-000040 | 7 - 53 | P021-004968 | 5 - 3 |
| A426-000010 | 3 - 15 | C334-000060 | 6 - 53 | P021-004969 | 5 - 3 |
| A427-000010 | 3 - 16 | C334-000060 | 7 - 53 | P021-004970 | 6 - 38 |
| A427-000011 | 3 - 16 | C334-000070 | 6 - 53 | P021-004981 | 1 - 23 |
| A427-000012 | 3 - 16 | C334-000070 | 7 - 53 | P021-004982 | 1 - 23 |
| A514-000000 | 3 - 4 | C345-000081 | 6 - 21 | P021-004983 | 1 - 23 |
| A551-000010 | 6 - 9 | C345-000081 | 7 - 21 | P021-004984 | 1 - 23 |
| A552-000020 | 6 - 6 | C345-000082 | 6 - 21 | P021-004985 | 1 - 23 |
| C022-000000 | 4 - 2 | C345-000082 | 7 - 21 | P021-004986 | 1 - 23 |

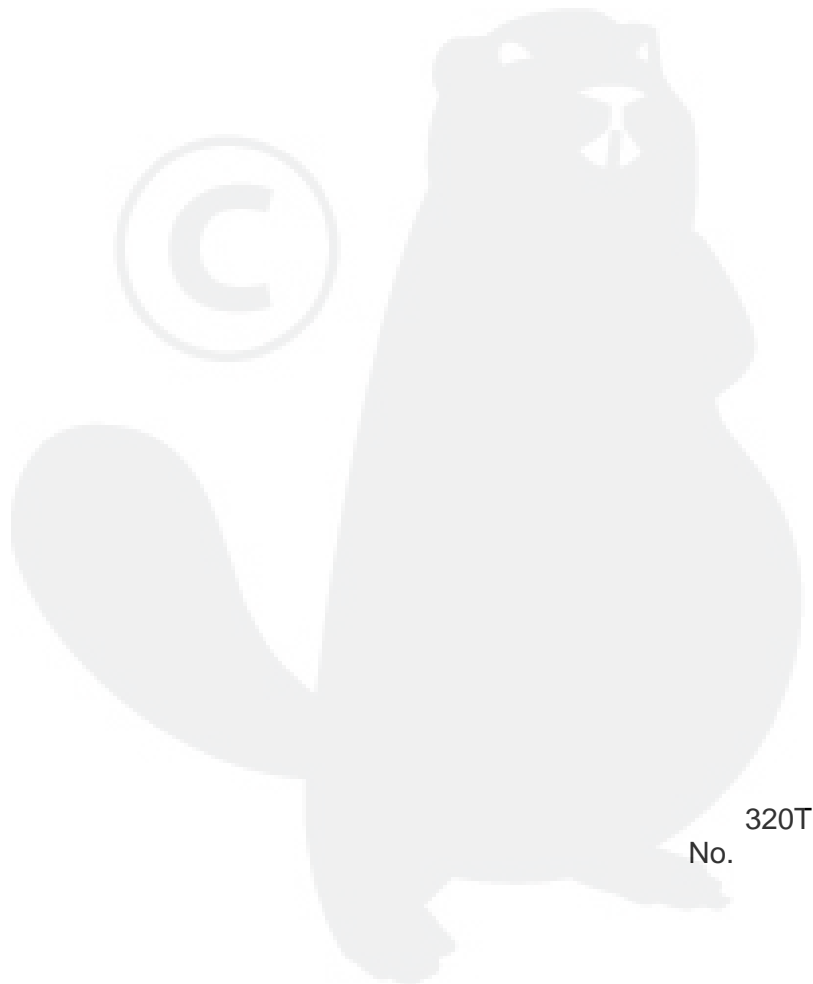
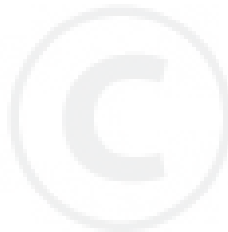
Index

| Patrs Number | Key No. | Patrs Number | Key No. | Patrs Number | Key No. |
|---------------------|----------------|---------------------|----------------|---------------------|----------------|
| P021-004987 | 1 - 23 | V400-000021 | 5 - 15 | | |
| P021-004988 | 1 - 23 | V450-000070 | 6 - 32 | | |
| P021-005490 | 1 - 1 | V450-000070 | 7 - 32 | | |
| P021-005491 | 1 - 1 | V451-000470 | 6 - 8 | | |
| P021-005500 | 1 - 3 | V452-000010 | 5 - 11 | | |
| P021-005510 | 1 - 9 | V452-000110 | 6 - 29 | | |
| P021-005511 | 1 - 9 | V452-000110 | 7 - 29 | | |
| P021-005580 | 4 - 8 | V470-000320 | 4 - 17 | | |
| P021-005581 | 4 - 8 | V470-000480 | 1 - 35 | | |
| P021-005590 | 4 - 5 | V470-000481 | 1 - 35 | | |
| P021-005591 | 4 - 5 | V471-000740 | 4 - 11 | | |
| P021-005810 | 6 - 7 | V471-000750 | 4 - 16 | | |
| P021-006950 | 6 - 38 | V471-000760 | 4 - 14 | | |
| P021-007980 | 6 - 51 | V475-002390 | 3 - 17 | | |
| P021-007980 | 7 - 51 | V485-000140 | 3 - 12 | | |
| P021-007981 | 6 - 51 | V485-000340 | 5 - 21 | | |
| P021-007981 | 7 - 51 | V486-000010 | 5 - 20 | | |
| P021-008650 | 2 - 3 | V505-000010 | 1 - 11 | | |
| P021-008670 | 1 - 23 | V553-000040 | 1 - 8 | | |
| P021-008671 | 1 - 23 | V651-000001 | 6 - 19 | | |
| P021-008672 | 1 - 23 | V651-000011 | 6 - 18 | | |
| P021-008673 | 1 - 23 | V652-000010 | 1 - 12 | | |
| P021-008674 | 1 - 23 | V652-000010 | 4 - 3 | | |
| P021-011510 | 5 - 3 | X122-000070 | 6 - 50 | | |
| P022-001330 | 3 - 24 | X122-000071 | 6 - 50 | | |
| P022-005870 | 3 - 22 | X502-000020 | 3 - 28 | | |
| P022-005890 | 3 - 26 | X502-000020 | 6 - 42 | | |
| P022-005900 | 3 - 23 | X503-004390 | 2 - 15 | | |
| V137-000000 | 4 - 22 | X505-000180 | 3 - 29 | | |
| V137-000020 | 4 - 20 | X505-000370 | 6 - 48 | | |
| V186-000020 | 4 - 26 | X524-000910 | 5 - 22 | | |
| V202-000000 | 5 - 16 | | | | |
| V202-000000 | 5 - 16 | | | | |
| V202-000011 | 1 - 18 | | | | |
| V202-000011 | 1 - 18 | | | | |
| V203-000041 | 6 - 17 | | | | |
| V203-000090 | 3 - 7 | | | | |
| V225-000030 | 1 - 17 | | | | |
| V352-000020 | 5 - 25 | | | | |
| V353-000060 | 6 - 27 | | | | |
| V353-000060 | 7 - 27 | | | | |
| V355-000140 | 6 - 20 | | | | |
| V359-000060 | 1 - 32 | | | | |
| V376-000450 | 6 - 54 | | | | |
| V376-000450 | 6 - 54 | | | | |
| V376-000450 | 7 - 54 | | | | |
| V376-000540 | 6 - 54 | | | | |
| V376-000540 | 7 - 54 | | | | |
| V400-000020 | 5 - 15 | | | | |

YAMABIKO CORPORATION

7-2 SUEHIROCHO 1-CHOME, OHME, TOKYO 198-8760, JAPAN
PHONE: 81-428-32-6118. FAX: 81-428-32-6145.

ECHO®



320T
No.