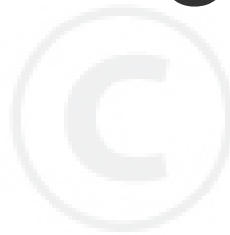




# **PARTS CATALOG**

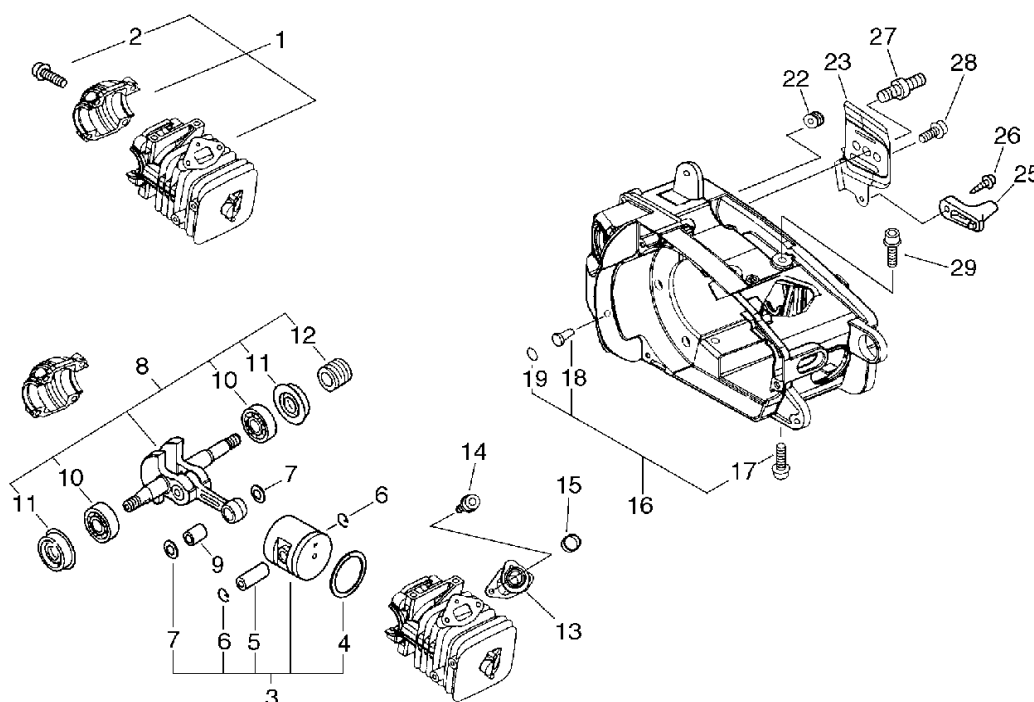
## **CHAIN SAW CS-2700ES**



CS-2700ES

# 1. Cylinder, Crankcase, Piston

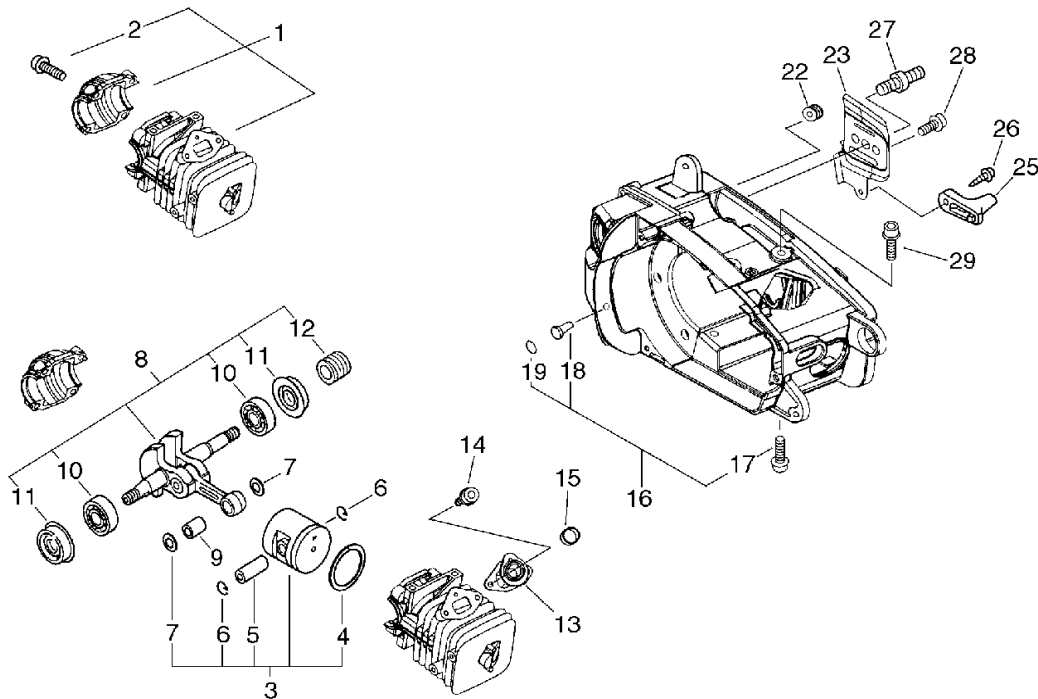
## No.1



KEY	LV	PART NUMBER	Q'TY	DESCRIPTION	REMARKS	NOTE1	NOTE2
1		P021-001891	1	CRANKCASE SET		Sus. by P021-001892	
1		P021-001892	1	CRANKCASE SET			
2	+	900162-05022	4	BOLT, H.S. 5*22	5*22 W,SW		
3		P021-001900	1	PISTON KIT			
4	+	100011-05731	1	RING, PISTON			
5	+	100013-22330	1	PIN, PISTON			
6	+	100015-04630	2	CIRCLIP, PISTON PIN			
7	+	100014-11520	2	SPACER, PISTON PIN			
8		P021-001920	1	CRANKSHAFT ASY			
9	+	V553-000010	1	BEARING, NEEDLE 8	HK0810		
10	+	900800-36001	2	BEARING, BALL 6001	6001/C3		
11	+	V505-000000	2	SEAL, OIL	12*28*5.5		
12	+	V652-000010	1	GEAR, WORM			
13		A202-000000	1	BELLOWS, INTAKE		Sus. by A202-000001	
13		A202-000001	1	BELLOWS, INTAKE			
14		900162-04012	2	BOLT, H.S. 4*12	4*12 W,SW		
15		V358-000020	1	COLLAR, 14			
16		P021-003432	1	COVER ENGINE		Sus. by P021-003435	
16		P021-003433	1	COVER ENGINE		Sus. by P021-003435	
16		P021-003434	1	COVER ENGINE		Sus. by P021-003435	
16		P021-003435	1	COVER ENGINE			

# 1. Cylinder, Crankcase, Piston

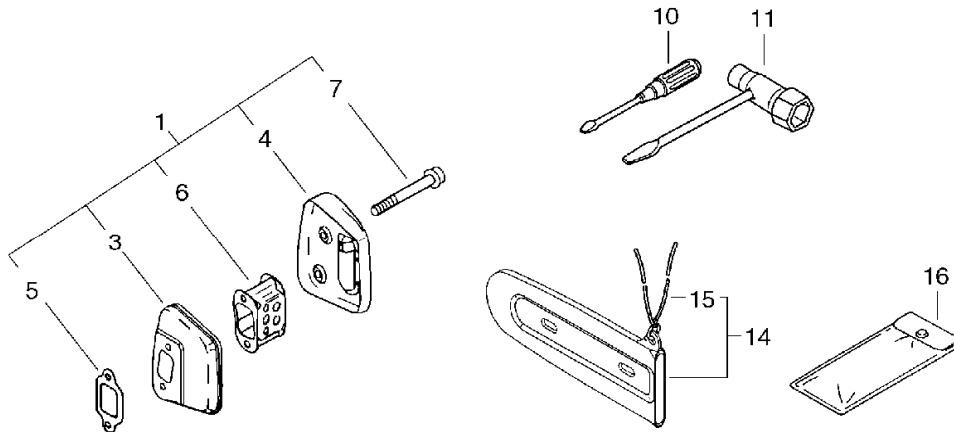
No.1



KEY	LV	PART NUMBER	Q'TY	DESCRIPTION	REMARKS	NOTE1	NOTE2
17	+	900106-05020	2	BOLT, H.S. 5*20	5*20	Sr/Nr 36002200 and before	
17	+	900106-05025	2	BOLT, H.S. 5*25	5*25	Sr/Nr 36002201 and after	
18	+	436114-13930	1	VALVE, CHECK			
19	+	900724-00004	1	O-RING (S-4)	S-4	Sr/Nr 36001101 and after	
22		163911-30130	1	PLUG			
23		C305-000020	1	PLATE, SPROCKET GUARD		Sus. by C305- 000022	
23		C305-000021	1	PLATE, SPROCKET GUARD		Sus. by C305- 000022	
23		C305-000022	1	PLATE, SPROCKET GUARD			
25		433026-35430	1	CATCHER, CHAIN			
26		900253-05020	1	SCREW 5*20	5*20		
27		V225-000030	1	BOLT, STUD 8			
28		V202-000011	2	BOLT, 4	4*12		
29		900106-05016	2	BOLT, H.S. 5*16	5*16		

## 2. Muffler ,Tools

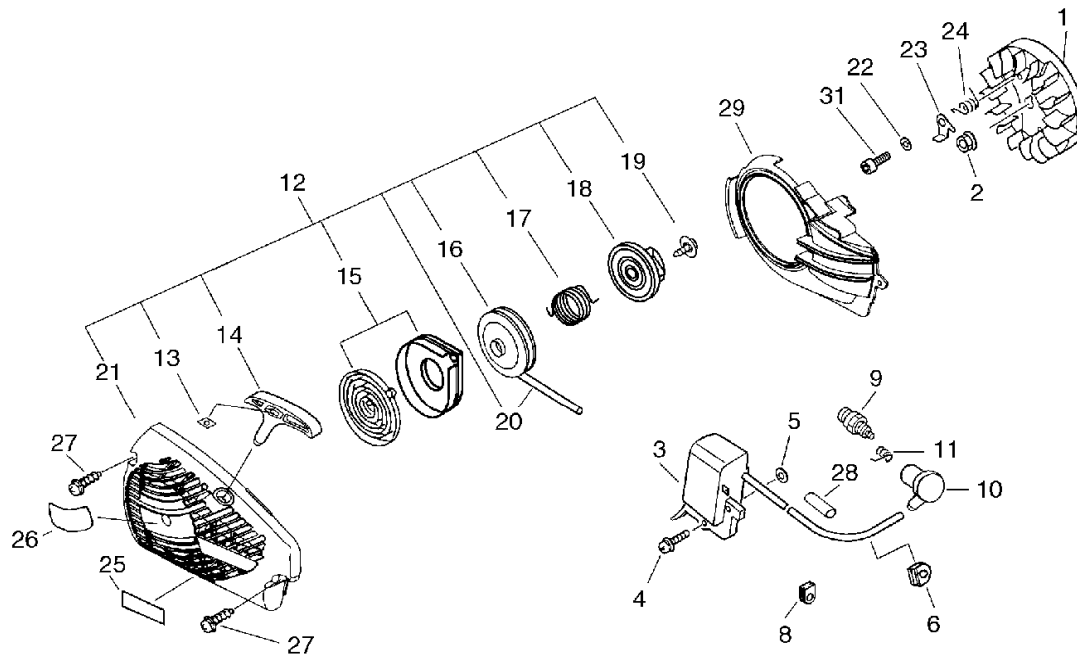
No.2



KEY	LV	PART NUMBER	Q'TY	DESCRIPTION	REMARKS	NOTE1	NOTE2
1		P021-001930	1	MUFFLER ASY			
3	+	A300-000130	1	MUFFLER,EXHAUST			
4	+	A303-000000	1	LID,MUFFLER			
5	+	145510-13931	1	GASKET, MUFFLER			
6	+	A301-000000	1	PLATE,MUFFLER			
7	+	91107-05040	2	BOLT HSH FLANGE	5*40		
10		895812-03930	1	DRIVER, SCREW 50			
11		895410-02830	1	WRENCH, W/S. DRIVER			
14		P021-004970	1	SCABBARD,CHAIN	カ	Sus. by P021-006951	
14		P021-006950	1	SCABBARD,CHAIN	ECHO ココ ッキ	Sus. by P021-006951	
14		P021-006951	1	SCABBARD,CHAIN	(ORANGE)	OPTION	
15	+	898568-30330	1	ROPE		Sus. by 898568-14530	
15	+	898568-14530	1	ROPE	5*900	OPTION	
16		898510-39130	1	BAG, TOOL			

### 3. Starter, Magneto

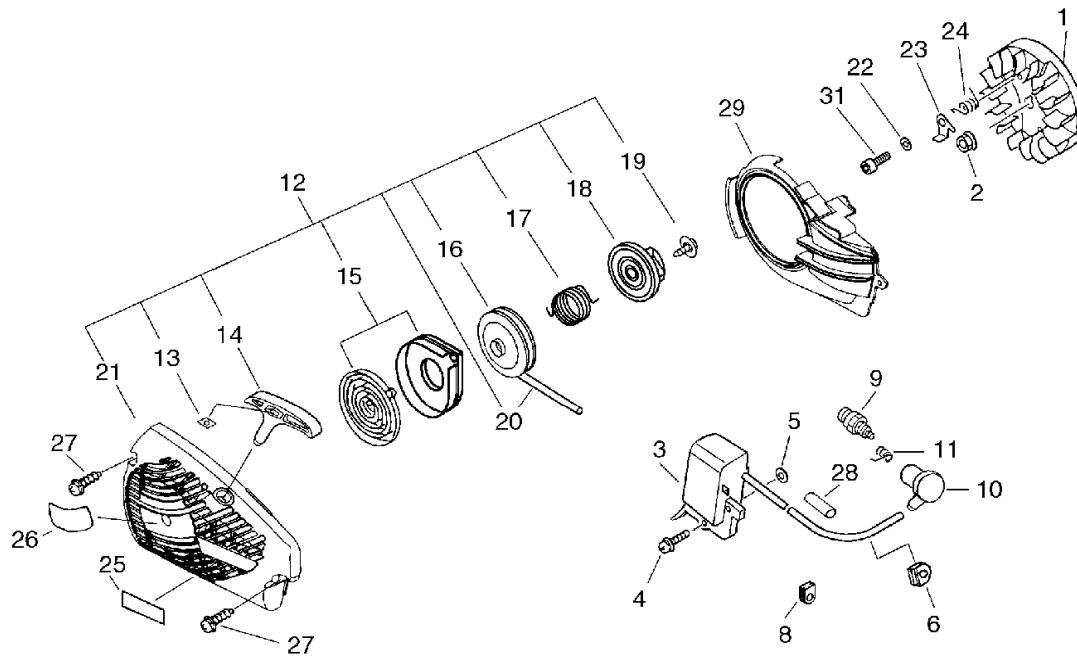
No.3



KEY	LV	PART NUMBER	Q'TY	DESCRIPTION	REMARKS	NOTE1	NOTE2
1		A409-000040	1	ROTOR,MAGNETO			
2		900515-00008	1	NUT, FLANGE 8	8		
3		A411-000040	1	COIL,IGNITION			
4		900238-05022	2	SCREW 5*22	5*22		
5		150117-16430	2	SPACER			
6		156110-04920	1	BUSHING			
8		156114-07320	1	GROMMET			
9		159010-10230	1	PLUG, SPARK (BPMR-7A	BPMR-7A		
10		A427-000000	1	CAP, SPARK PLUG			
11		A426-000000	1	TERMINAL, SPARKPLUG			
12		A051-000630	1	STARTER,RECOIL		Sus. by A051-000634	
12		A051-000631	1	STARTER,RECOIL		Sus. by A051-000634	
12		A051-000632	1	STARTER,RECOIL		Sus. by A051-000634	
12		A051-000633	1	STARTER,RECOIL		Sus. by A051-000634	
12		A051-000634	1	STARTER,RECOIL			
13	+	177246-11120	1	CLIP, STARTER ROPE			
14	+	P022-001320	1	GRIP, STARTER			
15	+	P022-001330	1	SPRING KIT, REWIND			
16	+	A506-000030	1	REEL, ROPE			
17	+	V452-000150	1	SPRING, TORSION			
18	+	A507-000020	1	CATCHER, PAWL		Sus. by A507-000021	

### 3. Starter, Magneto

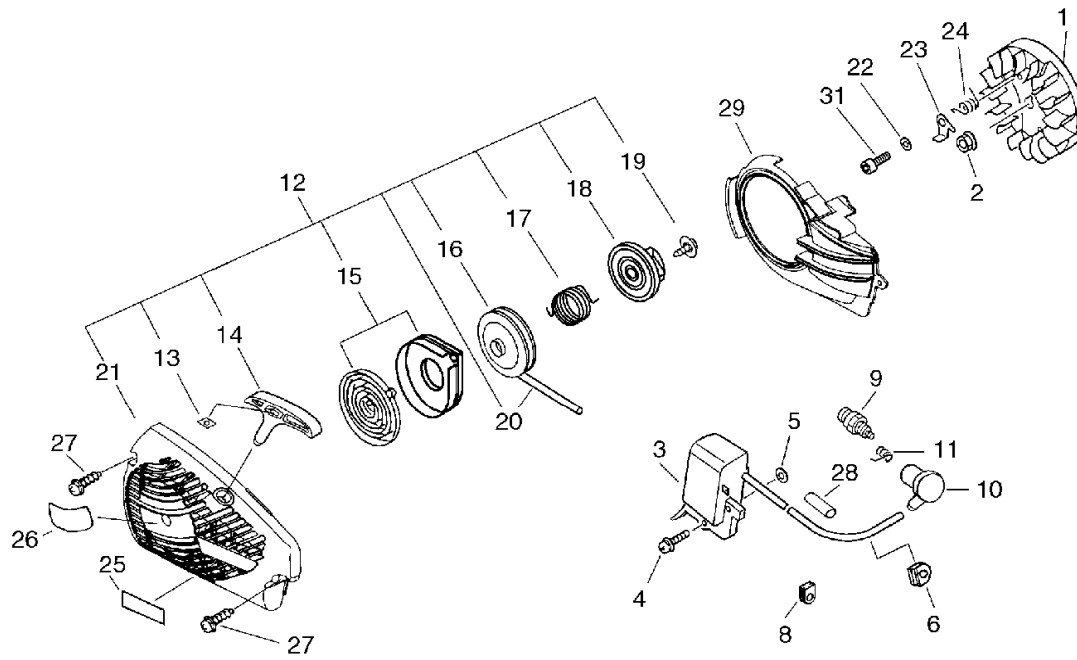
No.3



KEY	LV	PART NUMBER	Q'TY	DESCRIPTION	REMARKS	NOTE1	NOTE2
18	+	A507-000021	1	CATCHER,PAWL			
19	+	177236-61830	1	SCREW			
20	+	P022-006220	1	ROPE			
21	+	A500-000181	1	CASE,STARTER		Sus. by A500-000183	
21	+	A500-000182	1	CASE,STARTER		Sus. by A500-000183	
21	+	A500-000183	1	CASE,STARTER			
22		900603-00005	2	WASHER 5	5.5*12*0.8		
23		A514-000020	2	PAWL			
24		V452-000030	2	SPRING,TORSION			
25		X503-004920	1	LABEL,MODEL	CS-2700ES	Sus. by X503-006910	
25		X503-004921	1	LABEL,MODEL	CS-2700ES	Sus. by X503-006910	
25		X503-006910	1	LABEL,MODEL	CS-2700ES		
26		X502-000100	1	LABEL,ECHO		Sus. by X503-006910	
26		X502-000101	1	LABEL,ECHO		Sus. by X503-006910	
26		X503-006910	1	LABEL,MODEL	CS-2700ES		
27		900256-04016	3	SCREW 4*16	4*16		
28		V475-001900	1	TUBE	7*8.6*30		
29		A172-000111	1	COVER,FAN		Sus. by A172-000112	
29		A172-000112	1	COVER,FAN			

### 3. Starter, Magneto

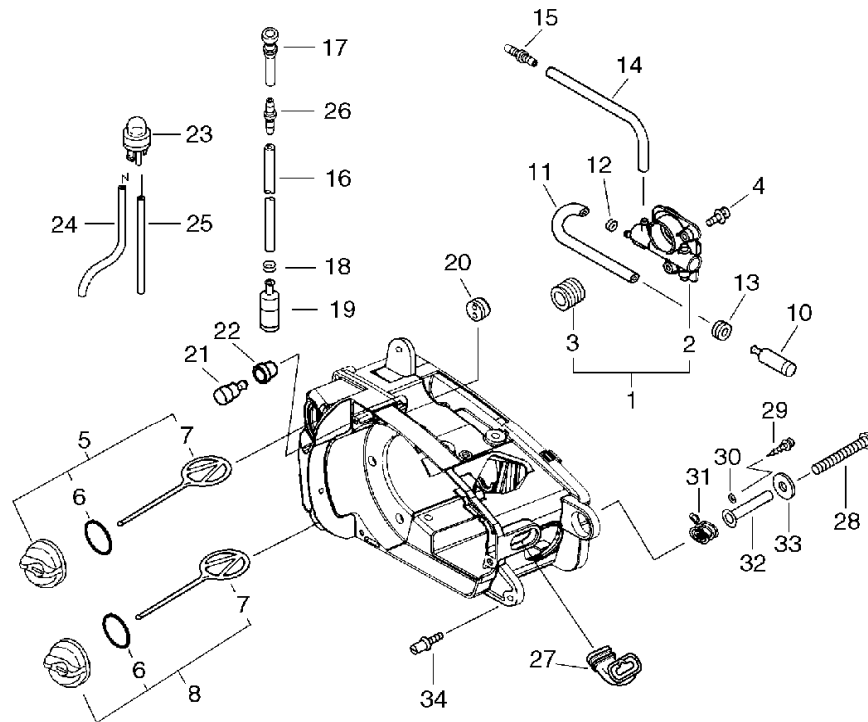
No.3



KEY	LV	PART NUMBER	Q'TY	DESCRIPTION	REMARKS	NOTE1	NOTE2
31		900105-05016	2	BOLT, H.S. 5*16	5*16	Sus. by V203-000100	
31		V203-000100	2	BOLT,5	M5*16		

# 4. Auto-Oiler

No.4

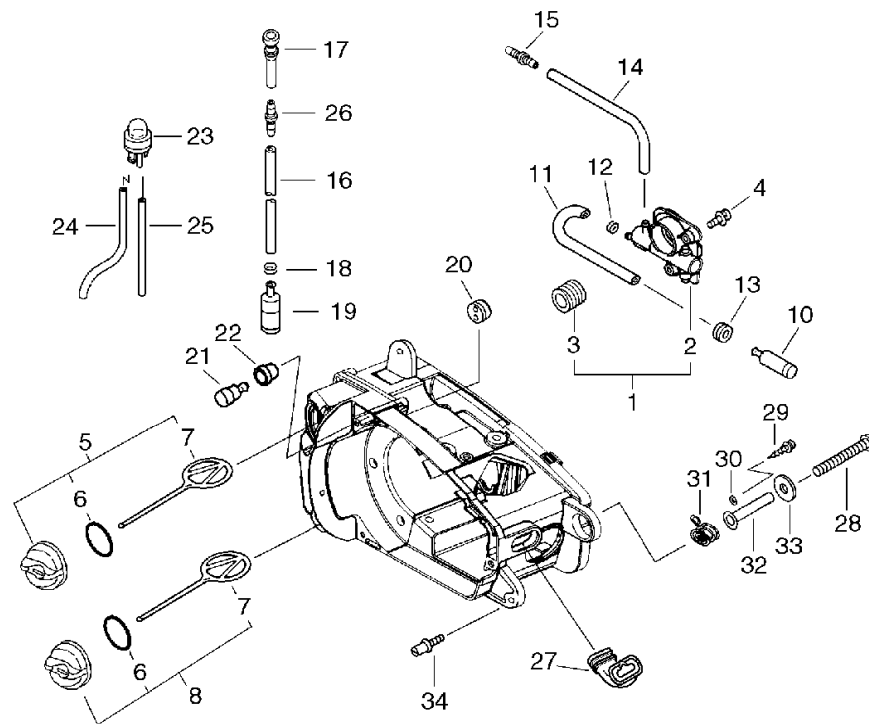


KEY	LV	PART NUMBER	Q'TY	DESCRIPTION	REMARKS	NOTE1	NOTE2
1		P021-001980	1	AUTO-OILER ASY			
2	+	C022-000000	1	OILER,ASM AUTO			
3	+	V652-000010	1	GEAR,WORM			
4		900238-04012	2	SCREW 4*12	4*12		
5		P021-005590	1	FUEL CAP ASY		Sus. by P021-005591	
5		P021-005591	1	CAP ASY			
6	+	900720-00018	1	O-RING 18	P-18		
7	+	131051-19830	1	LINK	60L	Sus. by A365-000050	
7	+	A365-000050	1	CONNECTOR,CAP			
8		P021-005580	1	OIL CAP ASY		Sus. by P021-005581	
8		P021-005581	1	OIL CAP ASY			
6	+	900720-00018	1	O-RING 18	P-18		
7	+	131051-19830	1	LINK	60L	Sus. by A365-000050	
7	+	A365-000050	1	CONNECTOR,CAP			
10		436205-02832	1	STRAINER, OIL			
11		132010-22130	1	PIPE, FUEL	3*6*150L NBR		
12		132013-26630	1	CLIP	6.5MM		
13		132115-01461	1	GROMMET			
14		132012-11960	1	PIPE 3* 6* 45	3*6*45 NBR		
15		V187-000010	1	NIPPLE			
16		132010-11520	1	PIPE, 3*5*210	3*5*210 NBR	Sus. by V471-001230	



## 4. Auto-Oiler

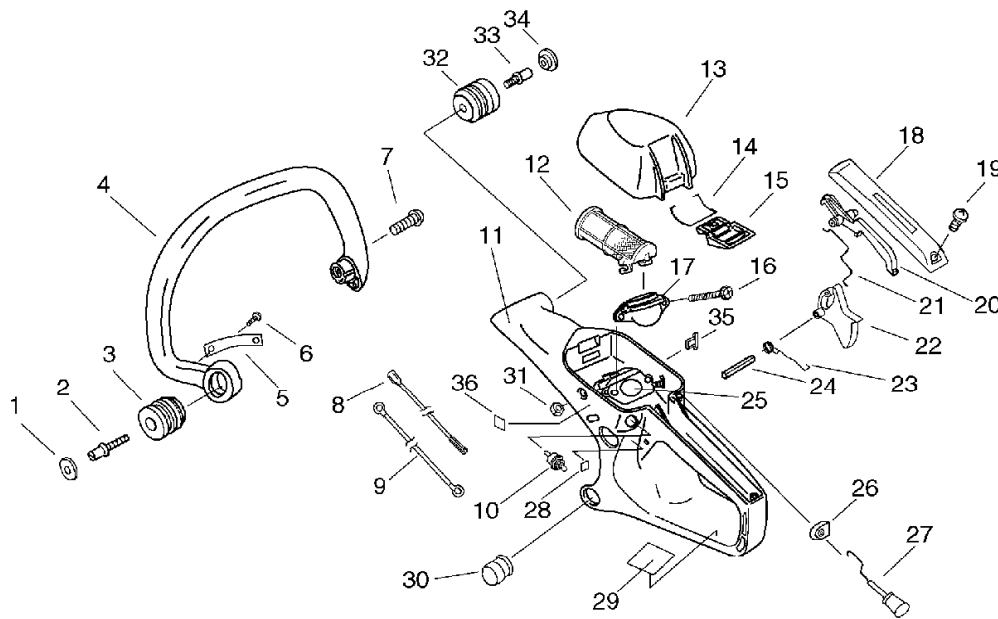
No.4



KEY	LV	PART NUMBER	Q'TY	DESCRIPTION	REMARKS	NOTE1	NOTE2
16		V471-001230	1	PIPE	3*5*210 NBR		
17		V470-000320	1	PIPE			
18		132013-09820	1	CLIP	6MM		
19		131205-14930	1	STRAINER,FUEL			
20		132115-44330	1	GROMMET			
21		131300-56430	1	VALVE, CHECK			
22		V137-000000	1	GROMMET,FUEL			
23		123181-39130	1	PUMP, PRIMER			
24		V471-000140	1	PIPE	3*5*L275	Sus. by V471-001270	
24		V471-001270	1	PIPE	2.4*5*275		
25		V471-000640	1	PIPE	2.38*4.76*105	Sus. by V471-001280	
25		V471-001280	1	PIPE	2.4*5*105		
26		V186-000020	1	JOINT,PIPE			
27		A239-000030	1	PIPE,INTAKE	L TYPE		
28		91481-04035	1	SCREW TAPPING			
29		900253-04012	1	SCREW	4*12		
30		900602-00004	1	WASHER 4	4.3*9*0.8		
31		V450-000080	1	SPRING,COMPRESSION			
32		V352-000020	1	COLLAR,4			
33		177214-04630	1	WASHER	4.1*15.5*1T		
34		V202-000020	1	BOLT,4			

## 5. Air Cleaner, Handle

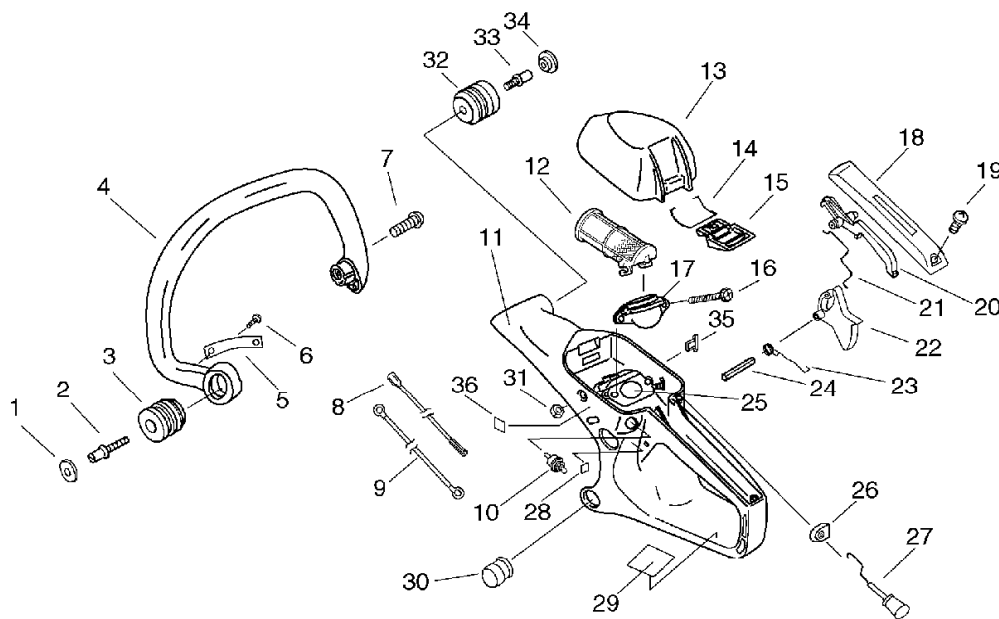
No.5



KEY	LV	PART NUMBER	Q'TY	DESCRIPTION	REMARKS	NOTE1	NOTE2
1		100918-19830	1	CAP, CUSHION			
2		100915-33930	1	SCREW			
3		100910-60030	1	CUSHION			
4		C400-000200	1	HANDLE,FRONT			
5		C617-000200	1	STOPPER			
6		900253-04008	1	SCREW 4*8	4*8		
7		900253-05020	2	SCREW 5*20	5*20		
8		V485-000390	1	LEAD	JIS LA105,10.2		
9		V485-000380	1	LEAD			
10		A440-000430	1	SWITCH,ON OFF			
11		C410-000151	1	HANDLE,REAR		Sus. by C410-000154	
11		C410-000152	1	HANDLE,REAR		Sus. by C410-000154	
11		C410-000153	1	HANDLE,REAR		Sus. by C410-000154	
11		C410-000154	1	HANDLE,REAR			
12		A226-000200	1	ELEMENT,AIR FILTER			
13		A232-000190	1	LID,CLEANER		Sus. by A232-000191	
13		A232-000191	1	LID,CLEANER			
14		V582-000020	1	RING,SNAP	CSE2700		
15		A235-000140	1	KNOB,CLEANER LID			
16		900238-05050	2	SCREW 5*50	5*50		
17		A204-000060	1	ELBOW,CARBURETOR			

## 5. Air Cleaner, Handle

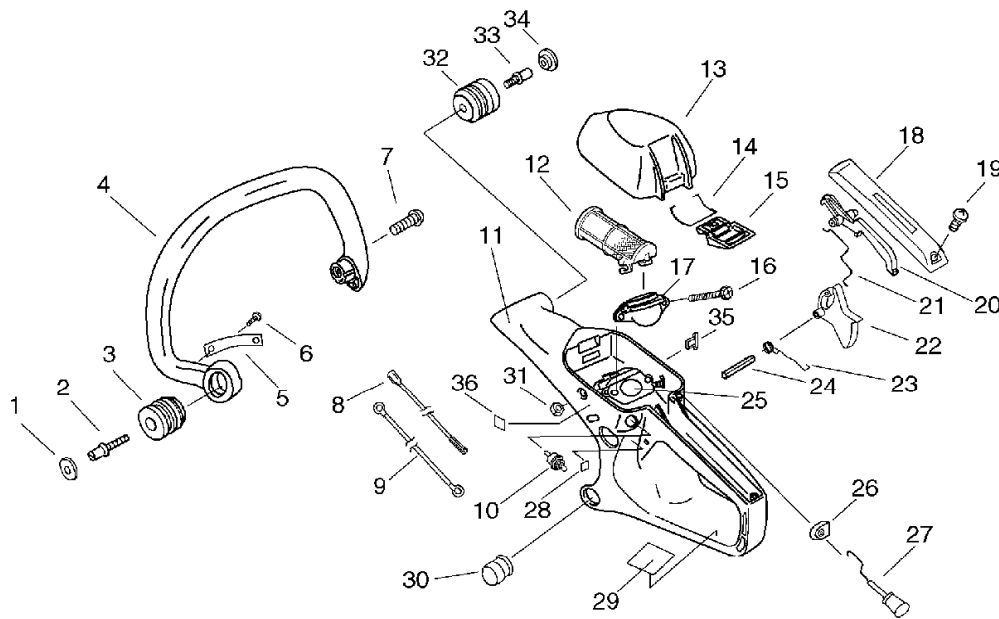
No.5



KEY	LV	PART NUMBER	Q'TY	DESCRIPTION	REMARKS	NOTE1	NOTE2
18		C411-000000	1	LID,HANDLE		Sus. by C411-000001	
18		C411-000001	1	LID,HANDLE			
19		900253-04012	1	SCREW	4*12		
20		178090-37930	1	LOCKOUT, T. CONTROL			
21		C454-000080	1	ROD,THROTTLE			
22		C450-000140	1	TRIGGER,THROTTLE			
23		V452-000140	1	SPRING,TORSION		Sus. by 178043-35430	
23		178043-35430	1	SPRING, THR.RETURN			
24		900345-40025	1	PIN, SPRING 4*25SUS	4*25SUS		
25		A021-000650	1	CARBURETOR,DIAPHRAGM	WT-646	Sus. by A021-000651	
25		A021-000651	1	CARBURETOR,DIAPHRAGM	WT-646	Sr/Nr 35003240 and before	
25		A021-000960	1	CARBURETOR,DIAPHRAGM	WT697	Sus. by AA021-000962	
25		A021-000962	1	CARBURETOR,DIAPHRAGM		Sr/Nr 36000001 and after	
26		V130-000000	1	GROMMET,CHOKE			
27		A241-000060	1	KNOB,CHOKE			
28		890157-39130	1	LABEL, SWITCH			
29		890345-39230	1	LABEL,CAUTION			
30		V420-000930	1	CUSHION			
31		130020-33330	2	NUT			
32		100921-39130	1	CUSHION			

# 5. Air Cleaner, Handle

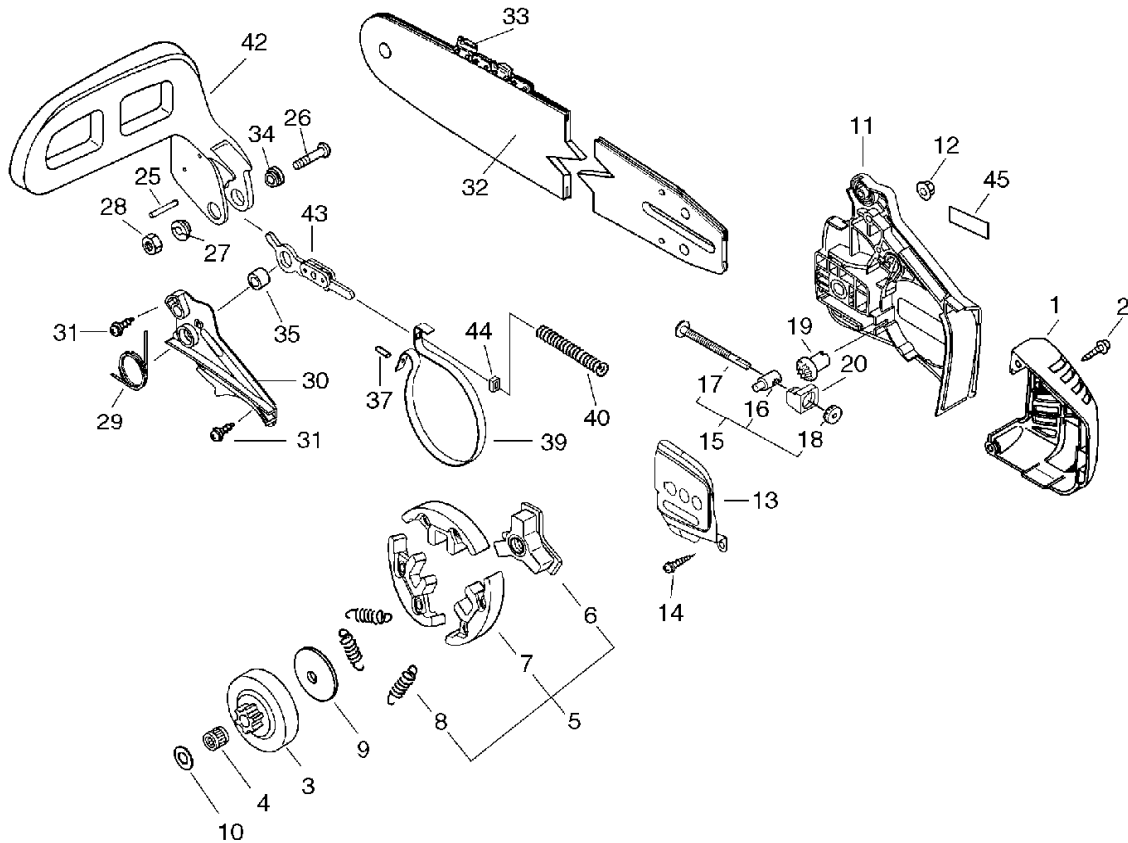
No.5



KEY	LV	PART NUMBER	Q'TY	DESCRIPTION	REMARKS	NOTE1	NOTE2
33		V202-000020	1	BOLT,4			
34		100918-15130	1	CAP			
35		V141-000050	1	GROMMET,PLUG			
36		890631-38230	1	LABEL, CAUTION			

# 6. Clutch, Sprocket

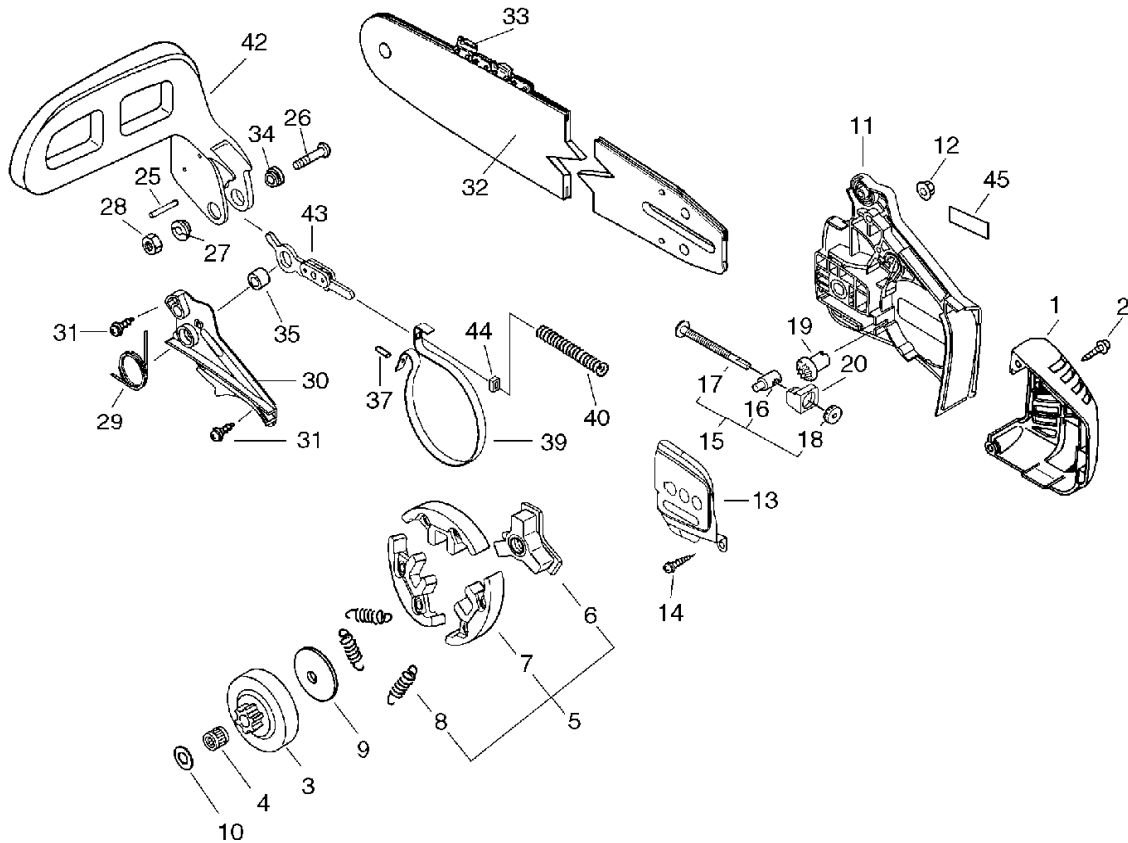
No.6



KEY	LV	PART NUMBER	Q'TY	DESCRIPTION	REMARKS	NOTE1	NOTE2
1		A320-000021	1	COVER,MUFFLER			
2		900253-04016	2	SCREW 4*16	4*16		
3		A556-000091	1	DRUM,CLUTCH	3/8A		
4		175012-35630	1	BEARING, NEEDLE	10*13*10		
5		A056-000030	1	CLUTCH			
6	+	A552-000020	1	HUB,CLUTCH			
7	+	P021-001950	1	CLUTCH SHOE SET			
8	+	V451-000150	3	SPRING,TENSION			
9		A551-000010	1	PLATE,CLUTCH			
10		175014-39130	1	WASHER, CLUTCH	10.2*25*1.2	Sus. by 175014-39131	
10		175014-39131	1	WASHER, CLUTCH	10.2*24.5*1.2		
11		C300-000170	1	GUARD, SPROCKET			
12		433019-12330	1	NUT, FLANGE 8	M-8		
13		C305-000031	1	PLATE, SPROCKET GUARD			
14		900253-04010	1	SCREW 4*10	4*10		
15		P021-000063	1	TENSIONER,CHAIN ASY			
16	+	C309-000030	1	TENSIONER,CHAIN			
17	+	V203-000021	1	BOLT,5			
18	+	V651-000011	1	GEAR,BEVEL			
19		V651-000001	1	GEAR,BEVEL			
20		V355-000270	1	COLLAR,8			
25		900330-30260	2	ROLLER 3*26	3*26		
26		91318-05032	1	SCREW	5*32		
27		V353-000060	1	COLLAR,5			

# 6. Clutch, Sprocket

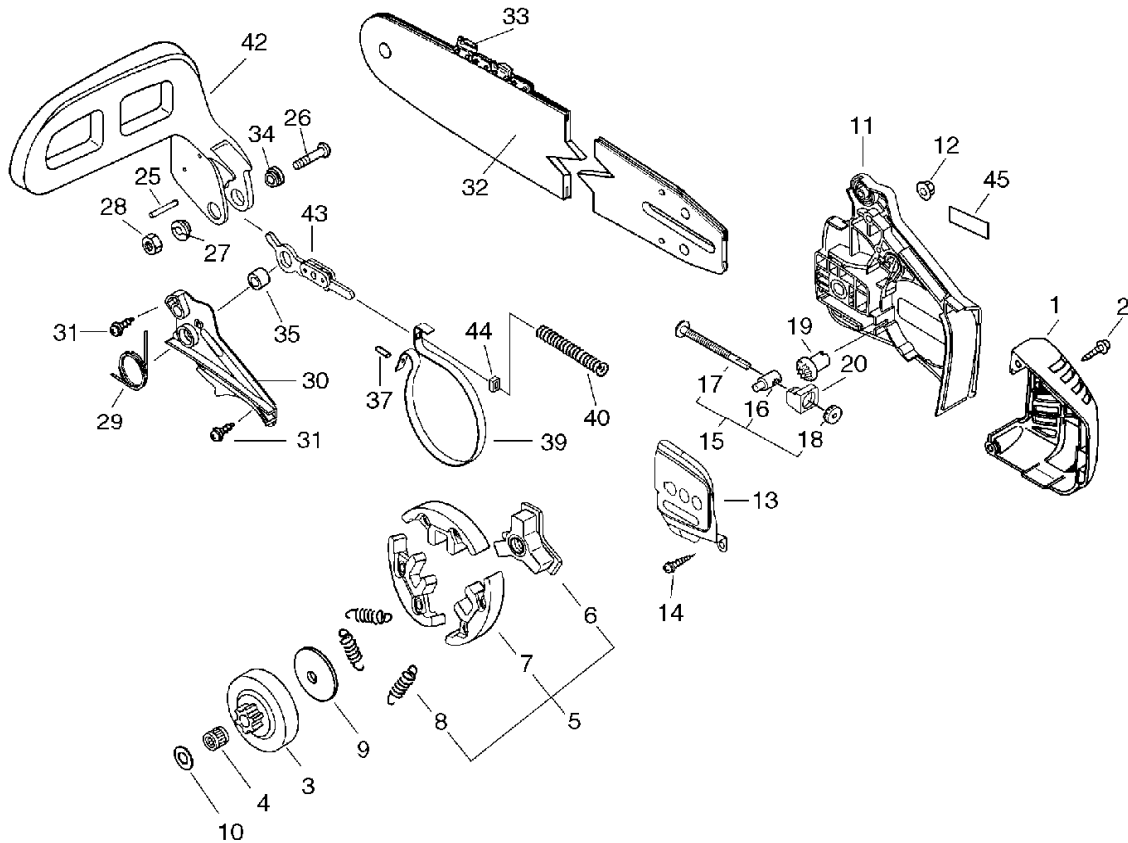
No.6



KEY	LV	PART NUMBER	Q'TY	DESCRIPTION	REMARKS	NOTE1	NOTE2
28		900560-00005	1	NUT, LOCK 5	5	Sus. by 900562-50005	
28		900562-50005	1	LOCKNUT 5	5		
29		V452-000110	1	SPRING, TORSION			
30		C345-000110	1	COVER, BRAKE		Sus. by C345-000112	
30		C345-000111	1	COVER, BRAKE		Sus. by C345-000112	
30		C345-000112	1	COVER, BRAKE			
31		900253-04012	2	SCREW	4*12		
32		X122-000070	1	BAR, GUIDE 30RC50M-3/8	30RC50M-3/8	Sus. by X122-000071	
32		X122-000071	1	BAR, GUIDE 30RC50M-3/8	30RC50M-3/8 ECHO	OPTION	
33		431010-39230	1	CHAIN, SAW 91VG-47E	91VG-47E 30C	OPTION	
34		433167-39130	1	SPACER			
35		433116-35430	1	SPACER 8	8*12*9		
37		93050-30098	1	ROLLER	F3*9.8		
39		C328-000020	1	BAND, BRAKE			
40		V450-000070	1	SPRING, COMPRESSION			
42		C320-000042	1	LEVER, BRAKE		Sr/Nr 35003240 and before	
42		C320-000043	1	LEVER, BRAKE		Sus. by C320-000045	
42		C320-000044	1	LEVER, BRAKE		Sus. by C320-000045	

# 6. Clutch, Sprocket

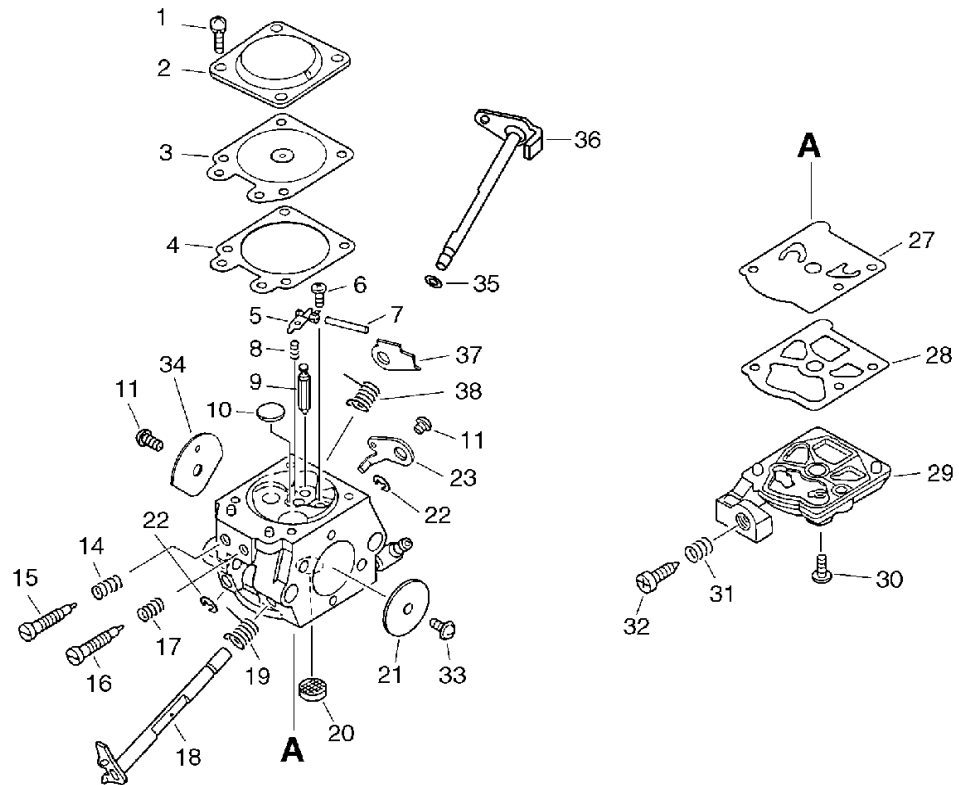
No.6



KEY	LV	PART NUMBER	Q'TY	DESCRIPTION	REMARKS	NOTE1	NOTE2
42		C320-000045	1	LEVER,BRAKE		Sr/Nr 36000001 and after	
43		C334-000040	1	CONNECTOR,BRAKE		Sr/Nr 35003240 and before	
43		C334-000060	1	CONNECTOR,BRAKE		Sus. by C334-000070	
43		C334-000070	1	CONNECTOR,BRAKE		Sr/Nr 36000001 and after	
44		V376-000450	1	SPACER		Sr/Nr 35003240 and before	
44		V376-000540	1	SPACER		Sr/Nr 36000001 to 36001100	
44		V376-000450	1	SPACER		Sr/Nr 36001101 and after	
45		X502-000020	1	LABEL,ECHO			

## 7. Carburetor(Sr/Nr 35003240 and before)

No.7

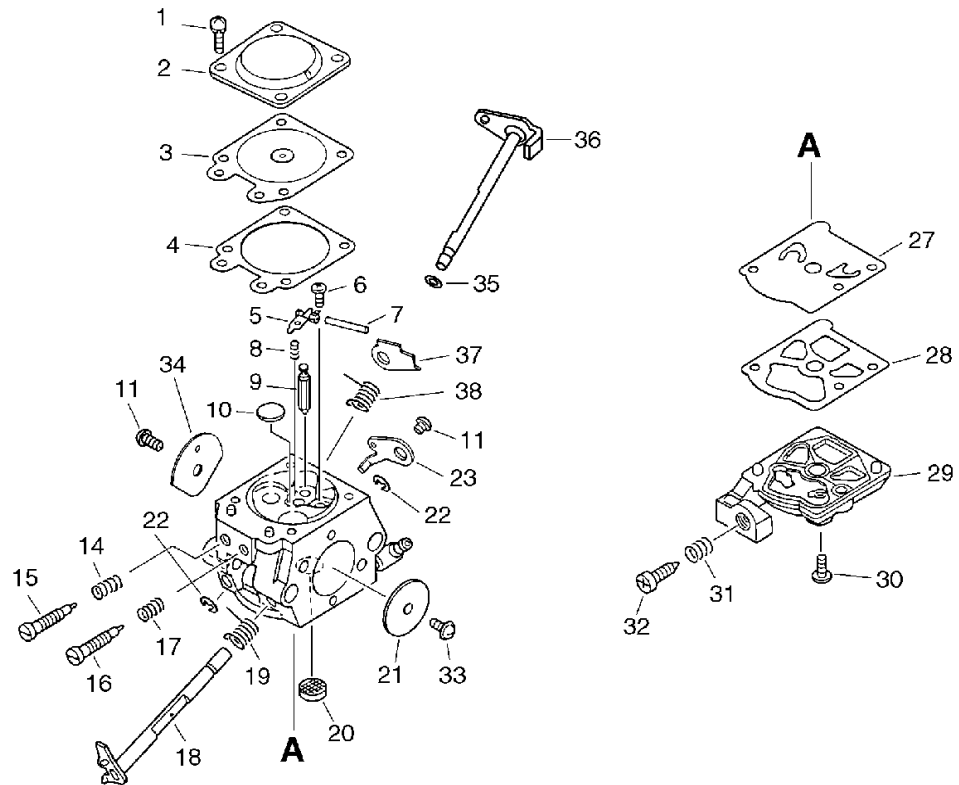


KEY	LV	PART NUMBER	Q'TY	DESCRIPTION	REMARKS	NOTE1	NOTE2
		A021-000650	1	CARBURETOR,DIAPHRAGM	WT-646	Sus. by A021-000651	
		A021-000651	1	CARBURETOR,DIAPHRAGM	WT-646		
1	+	123130-02960	4	SCREW			
2	+	123142-03930	1	COVER, M. DIAPHRAGM			
3	+	123141-03930	1	DIAPHRAGM, METERING			
4	+	123140-27230	1	GASKET,M. DIAPHRAGM			
5	+	123123-03930	1	LEVER, METERING			
6	+	123139-03930	1	SCREW, M. LEVER PIN			
7	+	123138-03930	1	PIN, METERING LEVER			
8	+	123122-03660	1	SPRING, METER. LEVER			
9	+	123137-19830	1	VALVE, INLET NEEDLE			
10	+	123146-10631	1	PLUG, WELCH			
11	+	123114-38830	2	SCREW			
14	+	123119-22130	1	SPRING, NEEDLE			
15	+	P003-000390	1	NEEDLE, HIGH SPEED			
16	+	123118-38330	1	NEEDLE, IDLE			
17	+	123121-22130	1	SPRING, NEEDLE			
18	+	P003-000370	1	SHAFT, THROTTLE			
19	+	123113-37530	1	SPRING, THROTTLE RTN			
20	+	123126-10631	1	SCREEN, INLET			
21	+	123116-05960	1	VALVE, THROTTLE			
22	+	123127-15030	2	RING			
23	+	P003-001040	1	LEVER THROTTLE			
27	+	123112-15030	1	DIAPHRAGM, FUEL PUMP			
28	+	123125-15030	1	GASKET, FUEL PUMP			



7. Carburetor(Sr/Nr 35003240 and before)

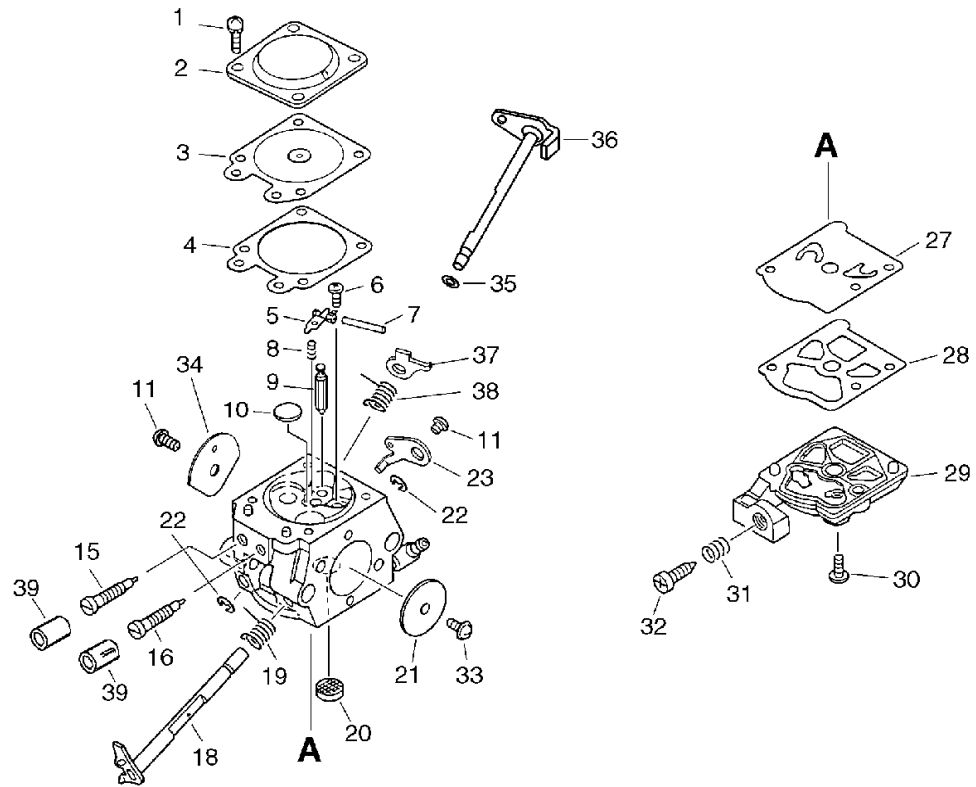
No.7



KEY	LV	PART NUMBER	Q'TY	DESCRIPTION	REMARKS	NOTE1	NOTE2
29	+	123124-24430	1	COVER, FUEL PUMP			
30	+	123110-03930	1	SCREW, PUMP COVER			
31	+	123133-04260	1	SPRING, IDLE ADJUST			
32	+	123134-04260	1	SCREW, IDLE ADJUST			
33	+	123114-05260	1	SCREW			
34	+	P003-000410	1	VALVE CHOKE			
35	+	123149-26030	1	WASHER			
36	+	P003-001000	1	SHAFT, CHOKE		Sus. by P003-001140	
36	+	P003-001140	1	SHAFT, CHOKE			
37	+	P003-000160	1	LEVER-FAST IDLE			
38	+	P003-000140	1	SPRING			

8. Carburetor(Sr/Nr 3600001 and after)

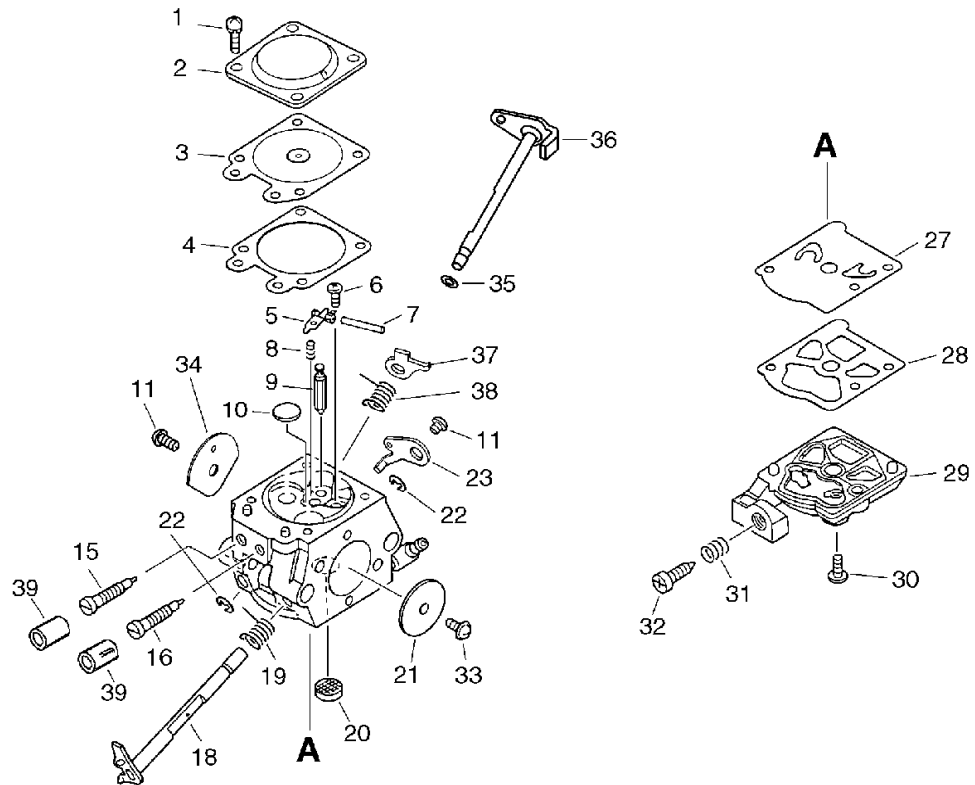
No.8



KEY	LV	PART NUMBER	Q'TY	DESCRIPTION	REMARKS	NOTE1	NOTE2
		A021-000960	1	CARBURETOR,DIAPHRAGM	WT697	Sus. by A021-000962	
		A021-000962	1	CARBURETOR,DIAPHRAGM			
1	+	123130-02960	4	SCREW			
2	+	123142-03930	1	COVER, M. DIAPHRAGM			
3	+	123141-03930	1	DIAPHRAGM, METERING			
4	+	123140-27230	1	GASKET,M. DIAPHRAGM			
5	+	123123-03930	1	LEVER, METERING			
6	+	123139-03930	1	SCREW, M. LEVER PIN			
7	+	123138-03930	1	PIN, METERING LEVER			
8	+	123122-03660	1	SPRING, METER. LEVER			
9	+	123137-19830	1	VALVE, INLET NEEDLE			
10	+	123146-10631	1	PLUG, WELCH			
11	+	123114-38830	2	SCREW			
15	+	123118-02261	1	NEEDLE			
16	+	123120-52131	1	NEEDLE, HIGH SPEED			
18	+	P003-001300	1	SHAFT, THROTTLE			
19	+	123113-37530	1	SPRING, THROTTLE RTN			
20	+	123126-10631	1	SCREEN, INLET			
21	+	123116-05960	1	VALVE, THROTTLE			
22	+	123127-15030	2	RING			
23	+	P003-001040	1	LEVER THROTTLE			
27	+	123112-15030	1	DIAPHRAGM, FUEL PUMP			
28	+	123125-15030	1	GASKET, FUEL PUMP			
29	+	123124-24430	1	COVER, FUEL PUMP			
30	+	123110-03930	1	SCREW, PUMP COVER			

8. Carburetor(Sr/Nr 3600001 and after)

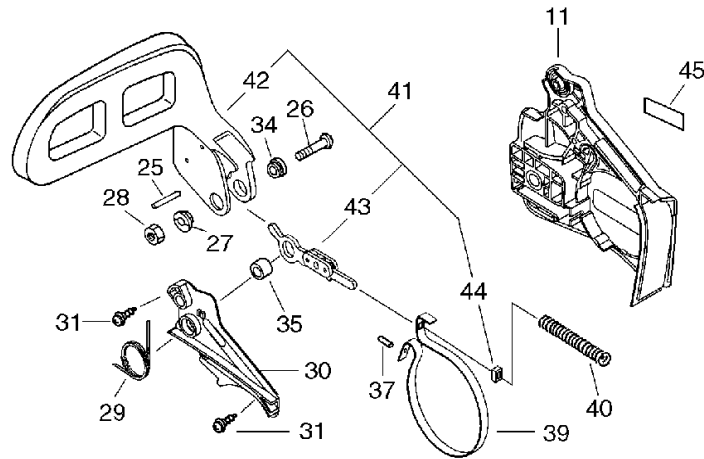
No.8



KEY	LV	PART NUMBER	Q'TY	DESCRIPTION	REMARKS	NOTE1	NOTE2
31	+	123133-04260	1	SPRING, IDLE ADJUST			
32	+	123134-04260	1	SCREW, IDLE ADJUST			
33	+	123114-05260	1	SCREW			
34	+	P003-000410	1	VALVE CHOKE		Sr/Nr 36002500 and before	
34	+	123132-35430	1	VALVE, CHOKE		Sr/Nr 36002501 and after	
35	+	123149-26030	1	WASHER			
36	+	P003-001140	1	SHAFT, CHOKE			
37	+	P003-000160	1	LEVER-FAST IDLE		Sr/Nr 36002500 and before	
37	+	P003-001480	1	LEVER-FAST IDLE		Sus. by P003-001510	
37	+	P003-001510	1	LEVER-FAST IDLE		Sr/Nr 36002501 and after	
38	+	P003-000140	1	SPRING		Sr/Nr 36002500 and before	
38	+	P003-001470	1	SPRING		Sr/Nr 36002501 and after	
39	+	P003-000010	2	LIMITER CAP			

## 9. Chain Brake Asy

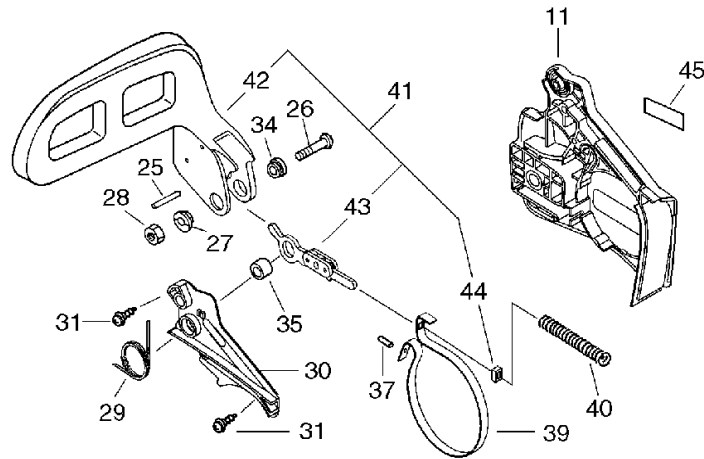
No.9



KEY	LV	PART NUMBER	Q'TY	DESCRIPTION	REMARKS	NOTE1	NOTE2
		C032-000130	1	BRAKE,ASM CHAIN		Sus. by C032-000134	
		C032-000131	1	BRAKE,ASM CHAIN		Sus. by C032-000134	
		C032-000132	1	BRAKE,ASM CHAIN		Sus. by C032-000134	
		C032-000133	1	BRAKE,ASM CHAIN		Sus. by C032-000134	
		C032-000134	1	BRAKE,ASM CHAIN		Sus. by C032-000134	
11	+	C300-000170	1	GUARD, SPROCKET			
25	+	900330-30260	2	ROLLER 3*26	3*26		
26	+	91318-05032	1	SCREW	5*32		
27	+	V353-000060	1	COLLAR,5			
28	+	900560-00005	1	NUT, LOCK 5	5	Sus. by 900562-50005	
28	+	900562-50005	1	LOCKNUT 5	5		
29	+	V452-000110	1	SPRING,TORSION			
30	+	C345-000110	1	COVER,BRAKE		Sus. by C345-000112	
30	+	C345-000111	1	COVER,BRAKE		Sus. by C345-000112	
30	+	C345-000112	1	COVER,BRAKE			
31	+	900253-04012	2	SCREW	4*12		
34	+	433167-39130	1	SPACER			
35	+	433116-35430	1	SPACER 8	8*12*9		
37	+	93050-30098	1	ROLLER	F3*9.8		

## 9. Chain Brake Asy

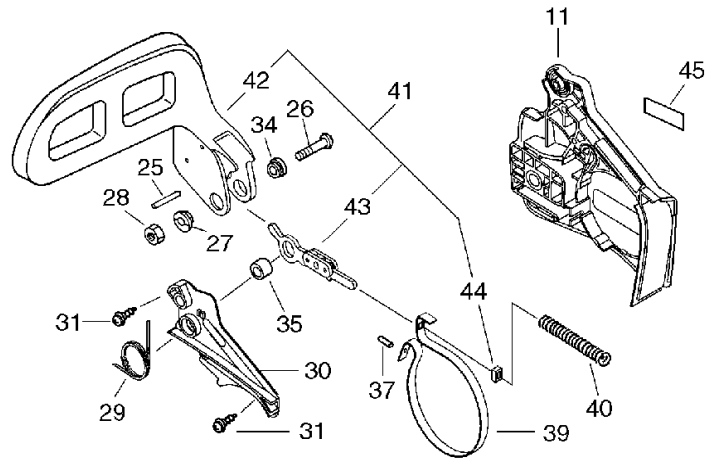
No.9



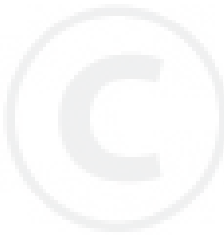
KEY	LV	PART NUMBER	Q'TY	DESCRIPTION	REMARKS	NOTE1	NOTE2
39	+	C328-000020	1	BAND,BRAKE			
40	+	V450-000070	1	SPRING,COMPRESSION			
41	+	P021-007950	1	BRAKE LEVER KIT		Sus. by P021-007952	
41	+	P021-007951	1	BRAKE LEVER KIT		Sus. by P021-007952	
41	+	P021-007952	1	BRAKE LEVER KIT			
42	+	C320-000042	1	LEVER,BRAKE		Sus. by P021-007952	
42	++	C320-000043	1	LEVER,BRAKE		Sus. by P021-007952	
42	++	C320-000044	1	LEVER,BRAKE		Sus. by P021-007952	
42	++	C320-000045	1	LEVER,BRAKE		Sr/Nr 36000001 and after	
43	+	C334-000040	1	CONNECTOR,BRAKE		Sr/Nr 35003240 and before	
43	++	C334-000060	1	CONNECTOR,BRAKE		Sus. by C334-000070	
43	++	C334-000070	1	CONNECTOR,BRAKE		Sr/Nr 36000001 and after	
44	+	V376-000450	1	SPACER		Sr/Nr 35003240 and before	
44	++	V376-000540	1	SPACER		Sr/Nr 36000001 to 36001100	

# 9. Chain Brake Asy

No.9



KEY	LV	PART NUMBER	Q'TY	DESCRIPTION	REMARKS	NOTE1	NOTE2
44	++	V376-000450	1	SPACER		Sr/Nr 36001101 and after	
45		X502-000020	1	LABEL,ECHO			



**Index**

<b>Patrs Number</b>	<b>Key No.</b>	<b>Patrs Number</b>	<b>Key No.</b>	<b>Patrs Number</b>	<b>Key No.</b>
100011-05731	1 - 4	123139-03930	7 - 6	890345-39230	5 - 29
100013-22330	1 - 5	123139-03930	8 - 6	890631-38230	5 - 36
100014-11520	1 - 7	123140-27230	7 - 4	895410-02830	2 - 11
100015-04630	1 - 6	123140-27230	8 - 4	895812-03930	2 - 10
100910-60030	5 - 3	123141-03930	7 - 3	898510-39130	2 - 16
100915-33930	5 - 2	123141-03930	8 - 3	898568-14530	2 - 15
100918-15130	5 - 34	123142-03930	7 - 2	898568-30330	2 - 15
100918-19830	5 - 1	123142-03930	8 - 2	900105-05016	3 - 31
100921-39130	5 - 32	123146-10631	7 - 10	900106-05016	1 - 29
123110-03930	7 - 30	123146-10631	8 - 10	900106-05020	1 - 17
123110-03930	8 - 30	123149-26030	7 - 35	900106-05025	1 - 17
123112-15030	7 - 27	123149-26030	8 - 35	900162-04012	1 - 14
123112-15030	8 - 27	123181-39130	4 - 23	900162-05022	1 - 2
123113-37530	7 - 19	130020-33330	5 - 31	900238-04012	4 - 4
123113-37530	8 - 19	131051-19830	4 - 7	900238-05022	3 - 4
123114-05260	7 - 33	131051-19830	4 - 7	900238-05050	5 - 16
123114-05260	8 - 33	131205-14930	4 - 19	900253-04008	5 - 6
123114-38830	7 - 11	131300-56430	4 - 21	900253-04010	6 - 14
123114-38830	8 - 11	132010-11520	4 - 16	900253-04012	4 - 29
123116-05960	7 - 21	132010-22130	4 - 11	900253-04012	5 - 19
123116-05960	8 - 21	132012-11960	4 - 14	900253-04012	6 - 31
123118-02261	8 - 15	132013-09820	4 - 18	900253-04012	9 - 31
123118-38330	7 - 16	132013-26630	4 - 12	900253-04016	6 - 2
123119-22130	7 - 14	132115-01461	4 - 13	900253-05020	1 - 26
123120-52131	8 - 16	132115-44330	4 - 20	900253-05020	5 - 7
123121-22130	7 - 17	145510-13931	2 - 5	900256-04016	3 - 27
123122-03660	7 - 8	150117-16430	3 - 5	900330-30260	6 - 25
123122-03660	8 - 8	156110-04920	3 - 6	900330-30260	9 - 25
123123-03930	7 - 5	156114-07320	3 - 8	900345-40025	5 - 24
123123-03930	8 - 5	159010-10230	3 - 9	900515-00008	3 - 2
123124-24430	7 - 29	163911-30130	1 - 22	900560-00005	6 - 28
123124-24430	8 - 29	175012-35630	6 - 4	900560-00005	9 - 28
123125-15030	7 - 28	175014-39130	6 - 10	900562-50005	6 - 28
123125-15030	8 - 28	175014-39131	6 - 10	900562-50005	9 - 28
123126-10631	7 - 20	177214-04630	4 - 33	900602-00004	4 - 30
123126-10631	8 - 20	177236-61830	3 - 19	900603-00005	3 - 22
123127-15030	7 - 22	177246-11120	3 - 13	900720-00018	4 - 6
123127-15030	8 - 22	178043-35430	5 - 23	900720-00018	4 - 6
123130-02960	7 - 1	178090-37930	5 - 20	900724-00004	1 - 19
123130-02960	8 - 1	431010-39230	6 - 33	900800-36001	1 - 10
123132-35430	8 - 34	433019-12330	6 - 12	91107-05040	2 - 7
123133-04260	7 - 31	433026-35430	1 - 25	91318-05032	6 - 26
123133-04260	8 - 31	433116-35430	6 - 35	91318-05032	9 - 26
123134-04260	7 - 32	433116-35430	9 - 35	91481-04035	4 - 28
123134-04260	8 - 32	433167-39130	6 - 34	93050-30098	6 - 37
123137-19830	7 - 9	433167-39130	9 - 34	93050-30098	9 - 37
123137-19830	8 - 9	436114-13930	1 - 18	A021-000650	5 - 25
123138-03930	7 - 7	436205-02832	4 - 10	A021-000650	7 -
123138-03930	8 - 7	890157-39130	5 - 28	A021-000651	5 - 25

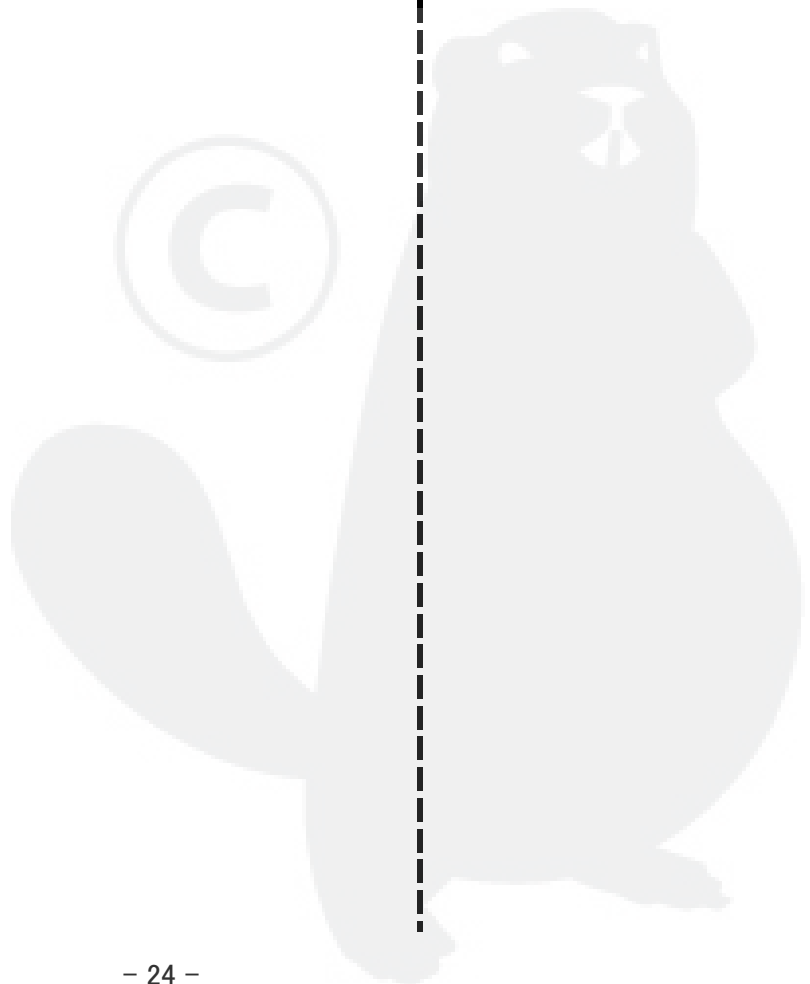
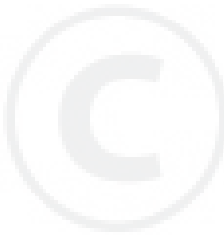
**Index**

<b>Patrs Number</b>	<b>Key No.</b>	<b>Patrs Number</b>	<b>Key No.</b>	<b>Patrs Number</b>	<b>Key No.</b>
A021-000651	7 -	C300-000170	6 - 11	P003-001040	7 - 23
A021-000960	5 - 25	C300-000170	9 - 11	P003-001040	8 - 23
A021-000960	8 -	C305-000020	1 - 23	P003-001140	7 - 36
A021-000962	5 - 25	C305-000021	1 - 23	P003-001140	8 - 36
A021-000962	8 -	C305-000022	1 - 23	P003-001300	8 - 18
A051-000630	3 - 12	C305-000031	6 - 13	P003-001470	8 - 38
A051-000631	3 - 12	C309-000030	6 - 16	P003-001480	8 - 37
A051-000632	3 - 12	C320-000042	6 - 42	P003-001510	8 - 37
A051-000633	3 - 12	C320-000042	9 - 42	P021-000063	6 - 15
A051-000634	3 - 12	C320-000043	6 - 42	P021-001891	1 - 1
A056-000030	6 - 5	C320-000043	9 - 42	P021-001892	1 - 1
A172-000111	3 - 29	C320-000044	6 - 42	P021-001900	1 - 3
A172-000112	3 - 29	C320-000044	9 - 42	P021-001920	1 - 8
A202-000000	1 - 13	C320-000045	6 - 42	P021-001930	2 - 1
A202-000001	1 - 13	C320-000045	9 - 42	P021-001950	6 - 7
A204-000060	5 - 17	C328-000020	6 - 39	P021-001980	4 - 1
A226-000200	5 - 12	C328-000020	9 - 39	P021-003432	1 - 16
A232-000190	5 - 13	C334-000040	6 - 43	P021-003433	1 - 16
A232-000191	5 - 13	C334-000040	9 - 43	P021-003434	1 - 16
A235-000140	5 - 15	C334-000060	6 - 43	P021-003435	1 - 16
A239-000030	4 - 27	C334-000060	9 - 43	P021-004970	2 - 14
A241-000060	5 - 27	C334-000070	6 - 43	P021-005580	4 - 8
A300-000130	2 - 3	C334-000070	9 - 43	P021-005581	4 - 8
A301-000000	2 - 6	C345-000110	6 - 30	P021-005590	4 - 5
A303-000000	2 - 4	C345-000110	9 - 30	P021-005591	4 - 5
A320-000021	6 - 1	C345-000111	6 - 30	P021-006950	2 - 14
A365-000050	4 - 7	C345-000111	9 - 30	P021-006951	2 - 14
A365-000050	4 - 7	C345-000112	6 - 30	P021-007950	9 - 41
A409-000040	3 - 1	C345-000112	9 - 30	P021-007951	9 - 41
A411-000040	3 - 3	C400-000200	5 - 4	P021-007952	9 - 41
A426-000000	3 - 11	C410-000151	5 - 11	P022-001320	3 - 14
A427-000000	3 - 10	C410-000152	5 - 11	P022-001330	3 - 15
A440-000430	5 - 10	C410-000153	5 - 11	P022-006220	3 - 20
A500-000181	3 - 21	C410-000154	5 - 11	V130-000000	5 - 26
A500-000182	3 - 21	C411-000000	5 - 18	V137-000000	4 - 22
A500-000183	3 - 21	C411-000001	5 - 18	V141-000050	5 - 35
A506-000030	3 - 16	C450-000140	5 - 22	V186-000020	4 - 26
A507-000020	3 - 18	C454-000080	5 - 21	V187-000010	4 - 15
A507-000021	3 - 18	C617-000200	5 - 5	V202-000011	1 - 28
A514-000020	3 - 23	P003-000010	8 - 39	V202-000020	4 - 34
A551-000010	6 - 9	P003-000140	7 - 38	V202-000020	5 - 33
A552-000020	6 - 6	P003-000140	8 - 38	V203-000021	6 - 17
A556-000091	6 - 3	P003-000160	7 - 37	V203-000100	3 - 31
C022-000000	4 - 2	P003-000160	8 - 37	V225-000030	1 - 27
C032-000130	9 -	P003-000370	7 - 18	V352-000020	4 - 32
C032-000131	9 -	P003-000390	7 - 15	V353-000060	6 - 27
C032-000132	9 -	P003-000410	7 - 34	V353-000060	9 - 27
C032-000133	9 -	P003-000410	8 - 34	V355-000270	6 - 20
C032-000134	9 -	P003-001000	7 - 36	V358-000020	1 - 15



**Index**

<b>Patrs Number</b>	<b>Key No.</b>	<b>Patrs Number</b>	<b>Key No.</b>	<b>Patrs Number</b>	<b>Key No.</b>
V376-000450	6 - 44				
V376-000450	6 - 44				
V376-000450	9 - 44				
V376-000450	9 - 44				
V376-000540	6 - 44				
V376-000540	9 - 44				
V420-000930	5 - 30				
V450-000070	6 - 40				
V450-000070	9 - 40				
V450-000080	4 - 31				
V451-000150	6 - 8				
V452-000030	3 - 24				
V452-000110	6 - 29				
V452-000110	9 - 29				
V452-000140	5 - 23				
V452-000150	3 - 17				
V470-000320	4 - 17				
V471-000140	4 - 24				
V471-000640	4 - 25				
V471-001230	4 - 16				
V471-001270	4 - 24				
V471-001280	4 - 25				
V475-001900	3 - 28				
V485-000380	5 - 9				
V485-000390	5 - 8				
V505-000000	1 - 11				
V553-000010	1 - 9				
V582-000020	5 - 14				
V651-000001	6 - 19				
V651-000011	6 - 18				
V652-000010	1 - 12				
V652-000010	4 - 3				
X122-000070	6 - 32				
X122-000071	6 - 32				
X502-000020	6 - 45				
X502-000020	9 - 45				
X502-000100	3 - 26				
X502-000101	3 - 26				
X503-004920	3 - 25				
X503-004921	3 - 25				
X503-006910	3 - 25				
X503-006910	3 - 26				



# YAMABIKO CORPORATION

7-2 SUEHIROCHO 1-CHOME, OHME, TOKYO 198-8760, JAPAN  
PHONE: 81-428-32-6118. FAX: 81-428-32-6145.

**ECHO**®



00ES  
No.