



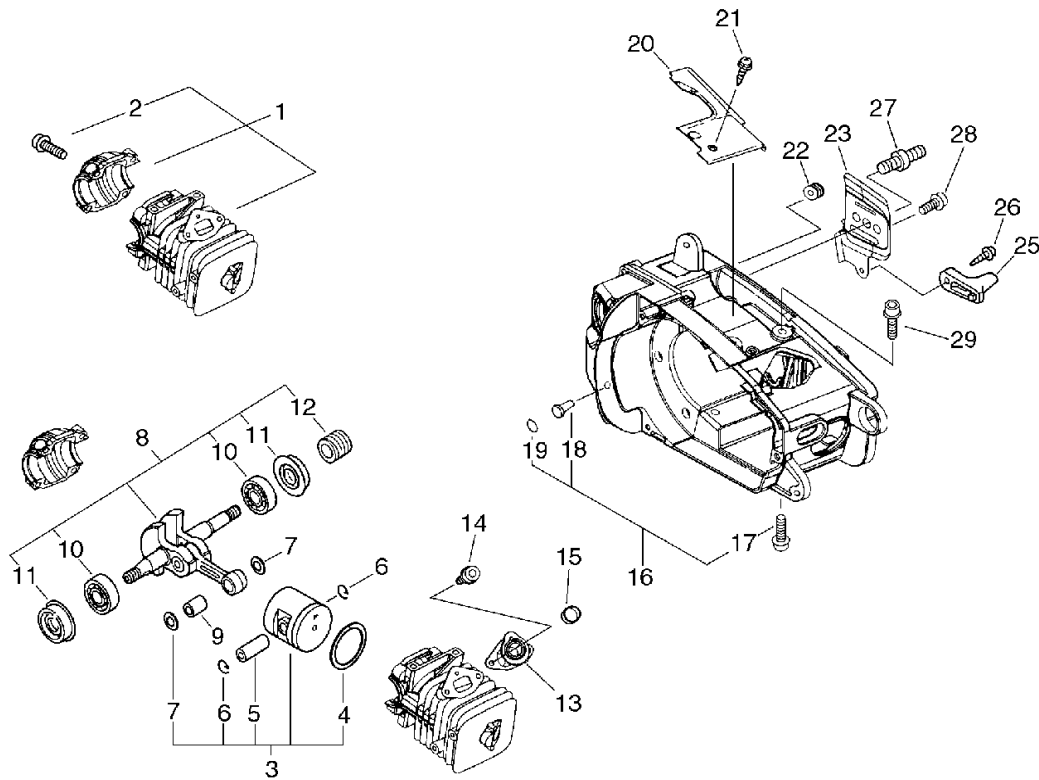
PARTS CATALOG

TOP HANDLE SAW CS-2600ES(35)(36)



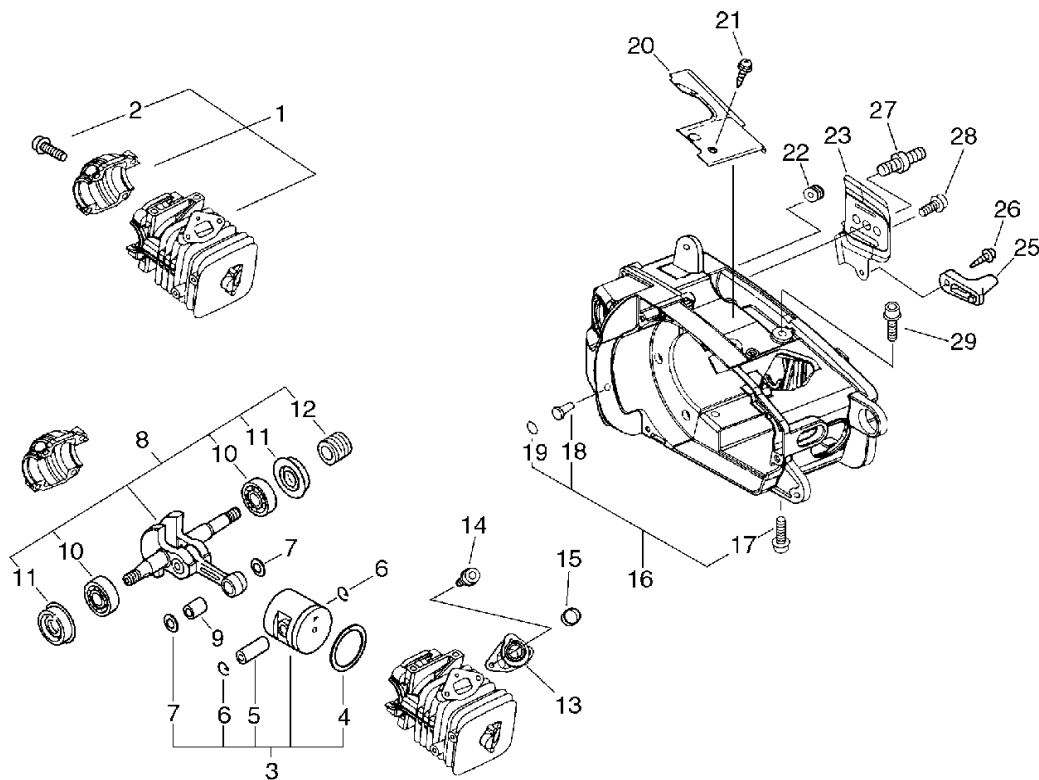
CS-2600ES(35)(36)

1. Cylinder, Crankcase, Piston



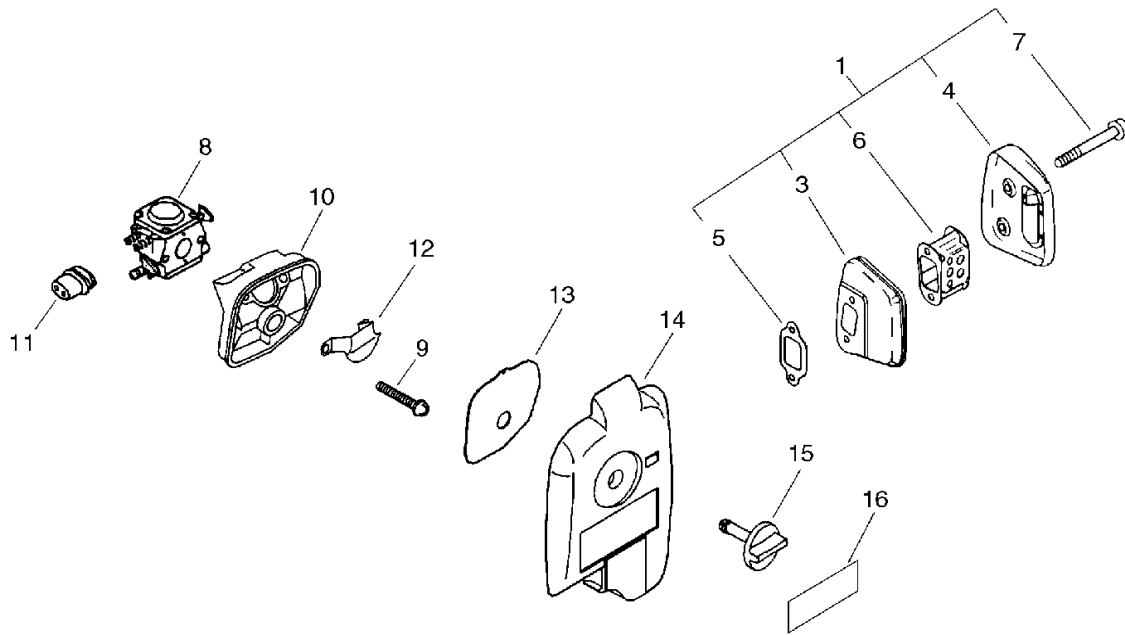
KEY	LV	PART NUMBER	Q'TY	DESCRIPTION	REMARKS	NOTE1	NOTE2
1		P021-001891	1	CRANKCASE SET		Sus. by P021-001892	
1		P021-001892	1	CRANKCASE SET			
2	+	900162-05022	4	BOLT, H.S. 5*22	5*22 W,SW		
3		P021-001900	1	PISTON KIT			
4	+	100011-05731	1	RING, PISTON			
5	+	100013-22330	1	PIN, PISTON			
6	+	100015-04630	2	CIRCLIP, PISTON PIN			
7	+	100014-11520	2	SPACER, PISTON PIN			
8		P021-001920	1	CRANKSHAFT ASY			
9	+	V553-000010	1	BEARING, NEEDLE 8	HK0810		
10	+	900800-36001	2	BEARING, BALL 6001	6001/C3		
11	+	V505-000000	2	SEAL, OIL	12*28*5.5		
12	+	V652-000010	1	GEAR, WORM			
13		A202-000000	1	BELLOWS, INTAKE		Sus. by A202-000001	
13		A202-000001	1	BELLOWS, INTAKE			
14		900162-04012	2	BOLT, H.S. 4*12	4*12 W,SW		
15		V358-000020	1	COLLAR, 14			
16		P021-003432	1	COVER ENGINE		Sus. by P021-003435	
16		P021-003433	1	COVER ENGINE		Sus. by P021-003435	
16		P021-003434	1	COVER ENGINE		Sus. by P021-003435	
16		P021-003435	1	COVER ENGINE			

1. Cylinder, Crankcase, Piston



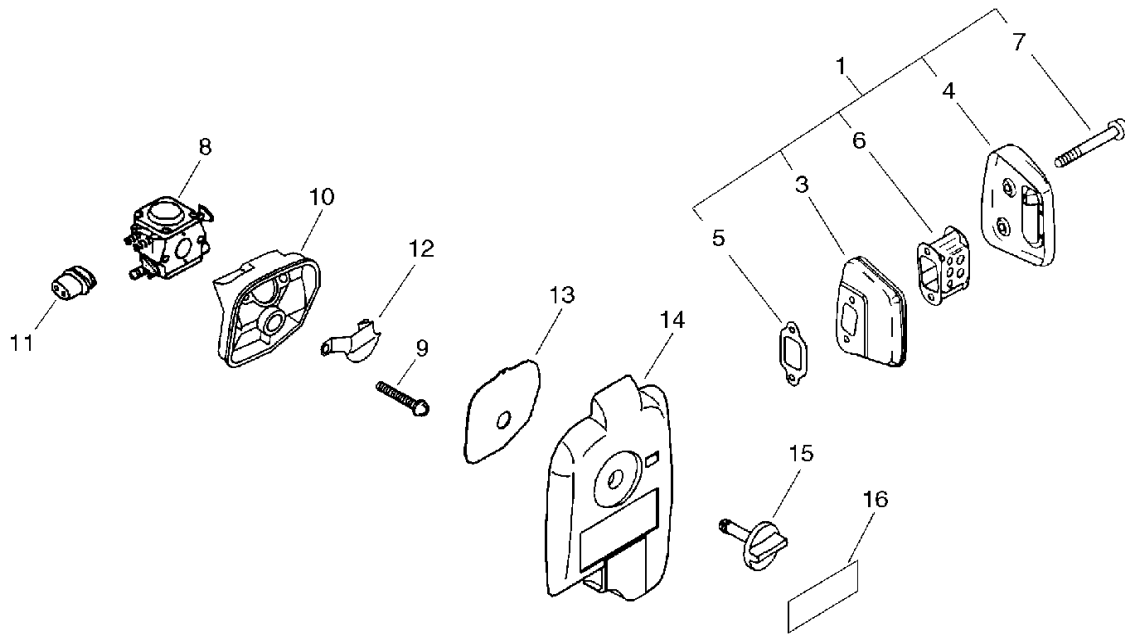
KEY	LV	PART NUMBER	Q'TY	DESCRIPTION	REMARKS	NOTE1	NOTE2
17	+	900106-05020	2	BOLT, H.S. 5*20	5*20	Sr/Nr 360015850 and before	
17	+	900106-05025	2	BOLT, H.S. 5*25	5*25	Sr/Nr 360015851 and after	
18	+	436114-13930	1	VALVE, CHECK			
19	+	900724-00004	1	O-RING (S-4)	S-4	Sr/Nr 36004051 and after	
20		A127-000020	1	COVER,DUST		Sus. by A127- 000021	
20		A127-000021	1	COVER,DUST			
21		900253-04012	2	SCREW	4*12		
22		163911-30130	1	PLUG			
23		C305-000020	1	PLATE,SPROCKET GUARD		Sus. by C305- 000022	
23		C305-000021	1	PLATE,SPROCKET GUARD		Sus. by C305- 000022	
23		C305-000022	1	PLATE,SPROCKET GUARD			
25		433026-35430	1	CATCHER, CHAIN			
26		900253-05020	1	SCREW 5*20	5*20		
27		V225-000030	1	BOLT,STUD 8			
28		V202-000011	2	BOLT,4	4*12		
29		900106-05016	2	BOLT, H.S. 5*16	5*16		

2. Air Cleaner, Muffler



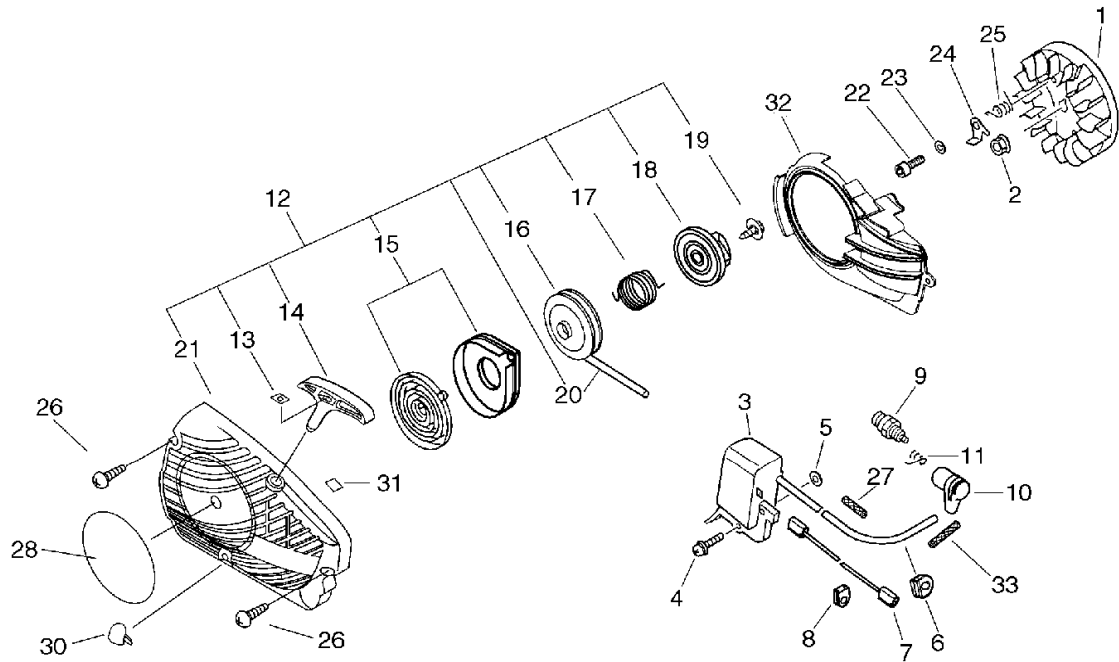
KEY	LV	PART NUMBER	Q'TY	DESCRIPTION	REMARKS	NOTE1	NOTE2
1		P021-001930	1	MUFFLER ASY			
3	+	A300-000130	1	MUFFLER,EXHAUST			
4	+	A303-000000	1	LID,MUFFLER			
5	+	145510-13931	1	GASKET, MUFFLER			
6	+	A301-000000	1	PLATE,MUFFLER			
7	+	91107-05040	2	BOLT HSH FLANGE	5*40		
8		A021-000211	1	CARBURETOR,DIAPHRAGM	WT-584	Sr/Nr 35010651 and before	
8		A021-000970	1	CARBURETOR,DIAPHRAGM	WT696	Sus. by A021-000973	
8		A021-000972	1	CARBURETOR,DIAPHRAGM		Sus. by A021-000973	
8		A021-000973	1	CARBURETOR,DIAPHRAGM	WT696C	Sr/Nr 36001001 and after	
9		900238-05050	2	SCREW 5*50	5*50		
10		A225-000020	1	CASE,CLEANER		Sus. by A225-000022	
10		A225-000021	1	CASE,CLEANER		Sus. by A225-000022	
10		A225-000022	1	CASE,CLEANER		Sr/Nr 36001001 and after	
11		129010-33330	1	GROMMET		Sr/Nr 35010651 and before	
12		A244-000000	1	PLATE,PREVENT			
13		A226-000050	1	ELEMENT,AIR FILTER			

2. Air Cleaner, Muffler



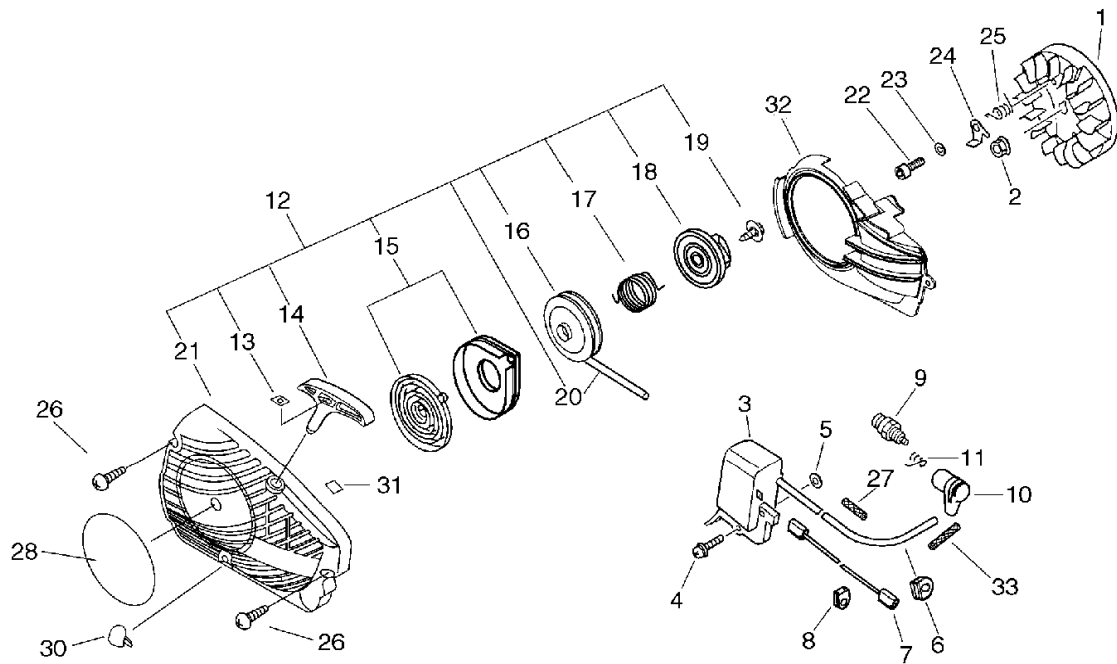
KEY	LV	PART NUMBER	Q'TY	DESCRIPTION	REMARKS	NOTE1	NOTE2
14		A232-000060	1	LID,CLEANER		Sus. by A232-000061	
14		A232-000061	1	LID,CLEANER			
15		A235-000040	1	KNOB,CLEANER LID			
16		X503-004910	1	LABEL,MODEL	CS-2600ES	Sus. by X503-006900	
16		X503-004911	1	LABEL,MODEL	CS-2600ES	Sus. by X503-006900	
16		X503-006900	1	LABEL,MODEL	CS-2600ES		

3. Starter, Magneto(Sr/Nr 36064658 and before)



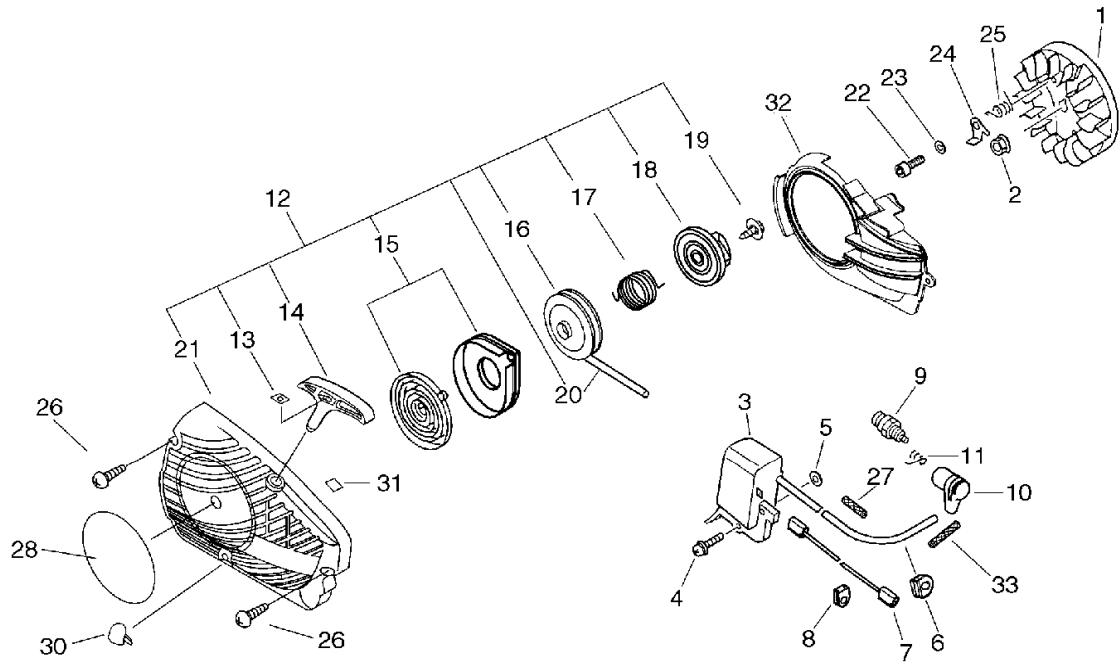
KEY	LV	PART NUMBER	Q'TY	DESCRIPTION	REMARKS	NOTE1	NOTE2
1		A409-000040	1	ROTOR,MAGNETO			
2		900515-00008	1	NUT, FLANGE 8	8		
3		A411-000040	1	COIL,IGNITION			
4		900238-05022	2	SCREW 5*22	5*22		
5		150117-16430	2	SPACER			
6		156110-04920	1	BUSHING			
7		V485-000140	1	LEAD			
8		156114-07320	1	GROMMET			
9		159010-10230	1	PLUG, SPARK (BPMR-7A	BPMR-7A		
10		A427-000010	1	CAP,SPARK PLUG		Sus. by A427-000012	
10		A427-000011	1	CAP,SPARK PLUG		Sus. by A427-000012	
10		A427-000012	1	CAP,SPARK PLUG			
11		A426-000010	1	TERMINAL,SPARKPLUG			
12		A051-000630	1	STARTER,RECOIL		Sus. by A051-000634	
12		A051-000631	1	STARTER,RECOIL		Sus. by A051-000634	
12		A051-000632	1	STARTER,RECOIL		Sus. by A051-000634	
12		A051-000633	1	STARTER,RECOIL		Sus. by A051-000634	
12		A051-000634	1	STARTER,RECOIL		Sus. by A051-000635	
13	+	177246-11120	1	CLIP, STARTER ROPE			

3. Starter, Magneto(Sr/Nr 36064658 and before)



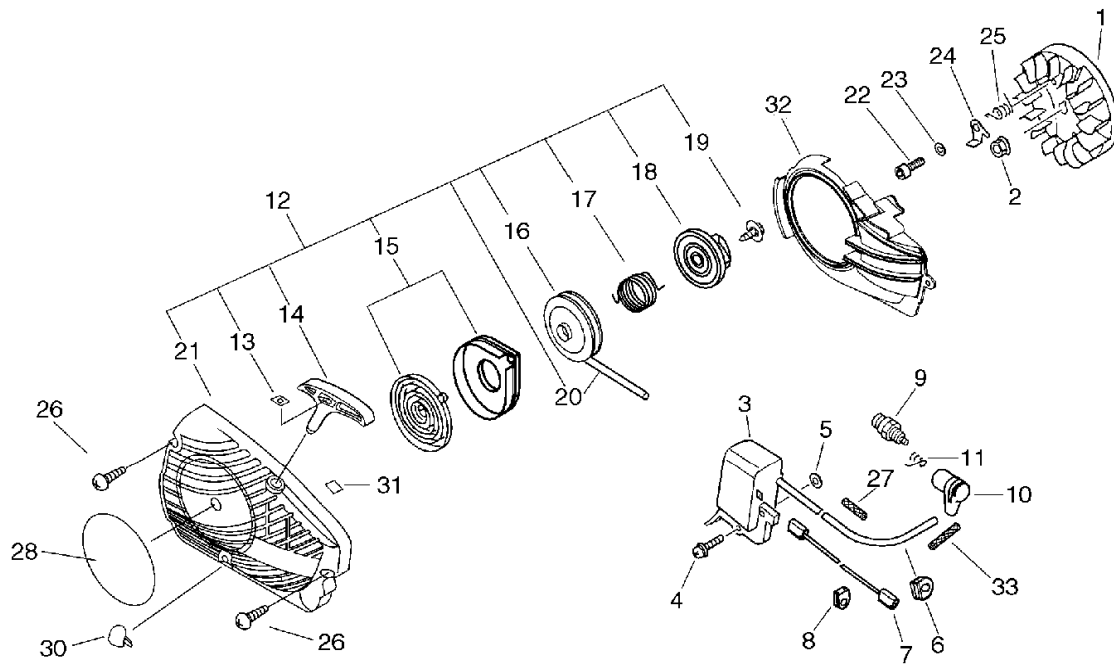
KEY	LV	PART NUMBER	Q'TY	DESCRIPTION	REMARKS	NOTE1	NOTE2
14	+	P022-001320	1	GRIP, STARTER			
15	+	P022-001330	1	SPRING KIT, REWIND			
16	+	A506-000030	1	REEL, ROPE			
17	+	V452-000150	1	SPRING, TORSION			
18	+	A507-000020	1	CATCHER, PAWL		Sus. by A507-000021	
18	+	A507-000021	1	CATCHER, PAWL			
19	+	177236-61830	1	SCREW			
20	+	P022-006220	1	ROPE			
21	+	A500-000181	1	CASE, STARTER			
22		900105-05016	2	BOLT, H.S. 5*16	5*16	Sus. by V203-000100	
22		V203-000100	2	BOLT, 5	M5*16		
23		900603-00005	2	WASHER 5	5.5*12*0.8		
24		A514-000020	2	PAWL			
25		V452-000030	2	SPRING, TORSION			
26		900256-04016	3	SCREW 4*16	4*16		
27		V475-001900	1	TUBE	7*8.6*30		
28		X502-000100	1	LABEL, ECHO		Sus. by 890118-49330	
28		X502-000130	1	LABEL, ECHO		Sus. by 890118-49330	
28		890118-49330	1	LABEL, ECHO		Sus. by X502-000410	
30		V162-000150	1	PLUG			
31		890631-38230	1	LABEL, CAUTION			

3. Starter, Magneto(Sr/Nr 36064658 and before)



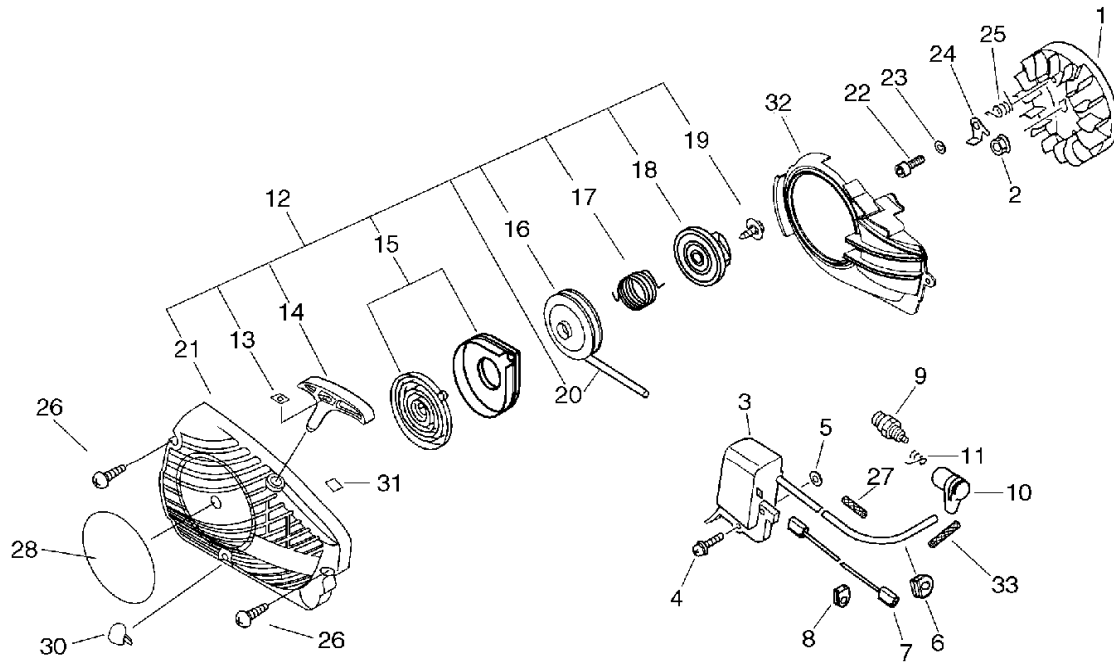
KEY	LV	PART NUMBER	Q'TY	DESCRIPTION	REMARKS	NOTE1	NOTE2
32		A172-000111	1	COVER,FAN		Sus. by A172-000112	
32		A172-000112	1	COVER,FAN			
33		V475-003550	1	TUBE	HST-10 7*8.6*50	Sr/Nr 36006301 and after	

4. Starter, Magneto(Sr/Nr 36064659 and after)



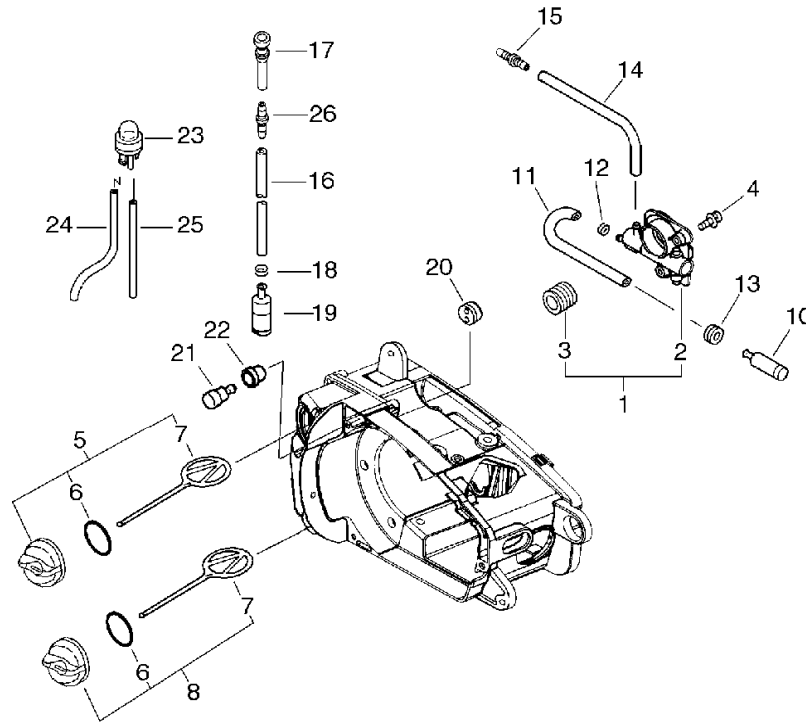
KEY	LV	PART NUMBER	Q'TY	DESCRIPTION	REMARKS	NOTE1	NOTE2
1		A409-000040	1	ROTOR,MAGNETO			
2		900515-00008	1	NUT, FLANGE 8	8		
3		A411-000040	1	COIL,IGNITION			
4		900238-05022	2	SCREW 5*22	5*22		
5		150117-16430	2	SPACER			
6		156110-04920	1	BUSHING			
7		V485-000140	1	LEAD			
8		156114-07320	1	GROMMET			
9		159010-10230	1	PLUG, SPARK (BPMR-7A	BPMR-7A		
10		A427-000012	1	CAP,SPARK PLUG			
11		A426-000010	1	TERMINAL,SPARKPLUG			
12		A051-000634	1	STARTER,RECOIL		Sus. by A051-000635	
12		A051-000635	1	STARTER,RECOIL			
13	+	177246-11120	1	CLIP, STARTER ROPE			
14	+	P022-001320	1	GRIP, STARTER			
15	+	P022-001330	1	SPRING KIT, REWIND			
16	+	A506-000030	1	REEL,ROPE			
17	+	V452-000150	1	SPRING,TORSION			
18	+	A507-000021	1	CATCHER,PAWL			
19	+	177236-61830	1	SCREW			
20	+	P022-006220	1	ROPE			
21	+	A500-000181	1	CASE,STARTER			
22		V203-000100	2	BOLT,5	M5*16		
23		900603-00005	2	WASHER 5	5.5*12*0.8		
24		A514-000020	2	PAWL			

4. Starter, Magneto(Sr/Nr 36064659 and after)



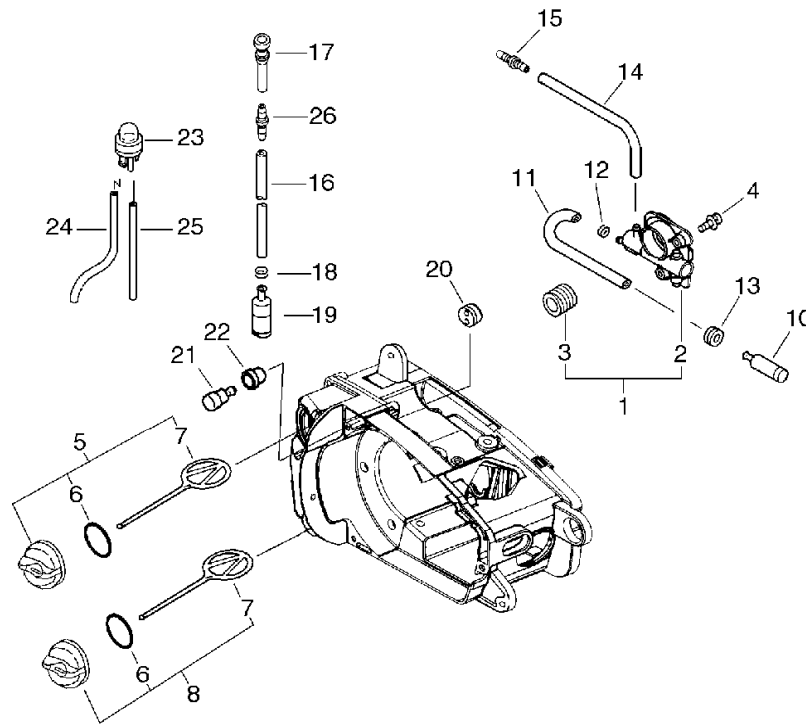
KEY	LV	PART NUMBER	Q'TY	DESCRIPTION	REMARKS	NOTE1	NOTE2
25		V452-000030	2	SPRING,TORSION			
26		900256-04016	3	SCREW 4*16	4*16		
27		V475-001900	1	TUBE	7*8,6*30		
28		X502-000410	1	LABEL,ECHO			
30		V162-000150	1	PLUG			
31		890631-38230	1	LABEL, CAUTION			
32		A172-000112	1	COVER,FAN			
33		V475-003550	1	TUBE	HST-10 7*8.6*50		
34		X530-000210	1	LABEL,EYE CATCHER		Disuse	

5. Auto-Oiler



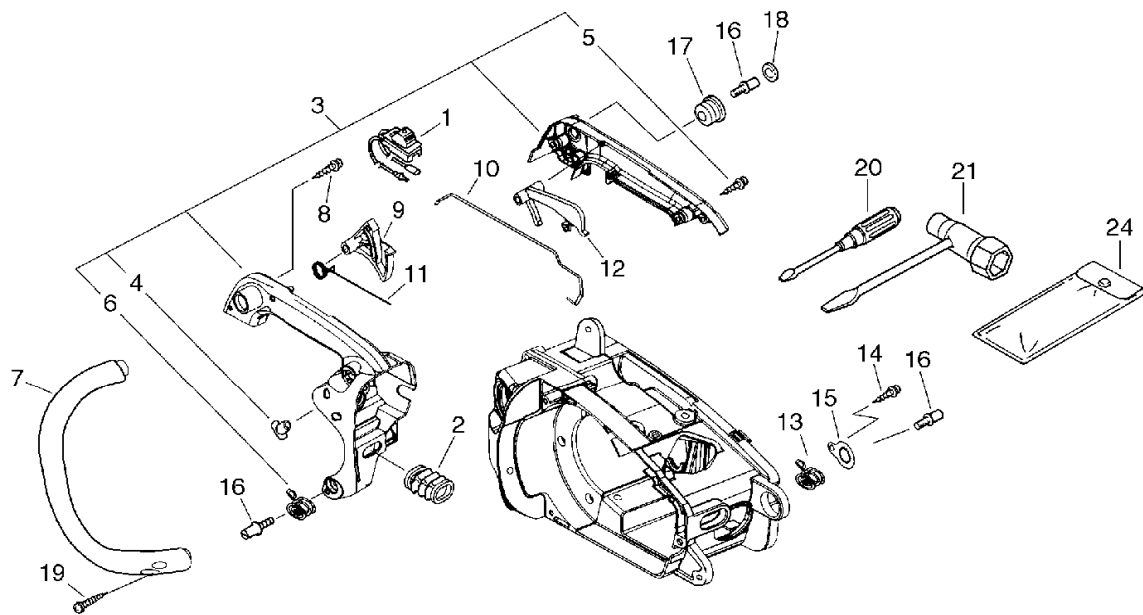
KEY	LV	PART NUMBER	Q'TY	DESCRIPTION	REMARKS	NOTE1	NOTE2
1		P021-001980	1	AUTO-OILER ASY			
2	+	C022-000000	1	OILER,ASM AUTO			
3	+	V652-000010	1	GEAR,WORM			
4		900238-04012	2	SCREW 4*12	4*12		
5		P021-005590	1	FUEL CAP ASY		Sus. by P021-005591	
5		P021-005591	1	CAP ASY			
6	+	900720-00018	1	O-RING 18	P-18		
7	+	131051-19830	1	LINK	60L	Sus. by A365-000050	
7	+	A365-000050	1	CONNECTOR,CAP			
8		P021-005580	1	OIL CAP ASY		Sus. by P021-005581	
8		P021-005581	1	OIL CAP ASY			
6	+	900720-00018	1	O-RING 18	P-18		
7	+	131051-19830	1	LINK	60L	Sus. by A365-000050	
7	+	A365-000050	1	CONNECTOR,CAP			
10		436205-02832	1	STRAINER, OIL			
11		132010-22130	1	PIPE, FUEL	3*6*150L NBR		
12		132013-26630	1	CLIP	6.5MM		
13		132115-01461	1	GROMMET		Sr/Nr 36019120 and before	
14		132012-11960	1	PIPE 3* 6* 45	3*6*45 NBR		
15		V187-000010	1	NIPPLE			

5. Auto-Oiler



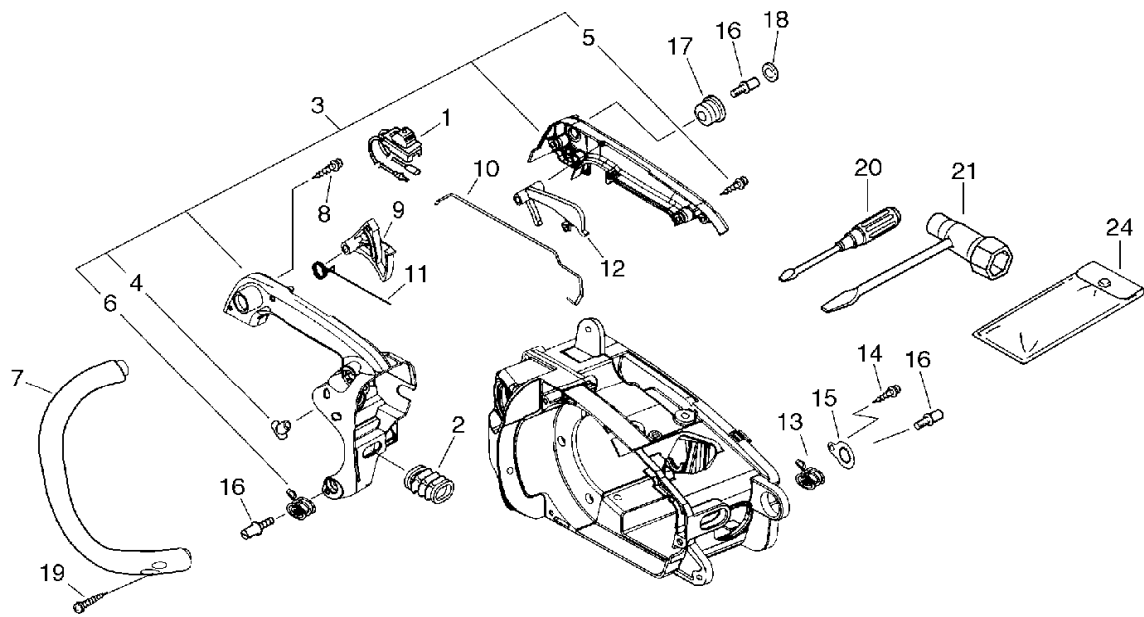
KEY	LV	PART NUMBER	Q'TY	DESCRIPTION	REMARKS	NOTE1	NOTE2
16		132010-11520	1	PIPE, 3*5*210	3*5*210 NBR	Sus. by V471-001230	
16		V471-001230	1	PIPE	3*5*210 NBR		
17		V470-000320	1	PIPE			
18		132013-09820	1	CLIP	6MM		
19		131205-14930	1	STRAINER,FUEL			
20		132115-44330	1	GROMMET			
21		131300-56430	1	VALVE, CHECK			
22		V137-000000	1	GROMMET,FUEL			
23		123181-39130	1	PUMP, PRIMER			
24		132010-00760	1	PIPE, FUEL	3*5*250L	Sus. by V471-001250	
24		V471-001250	1	PIPE	2.4*5*250		
25		V471-000310	1	PIPE		Sus. by V471-001260	
25		V471-001260	1	PIPE	2.4*5*150		
26		V186-000020	1	JOINT,PIPE			

6. Handle, Tools(Sr/Nr 36069194 and before)



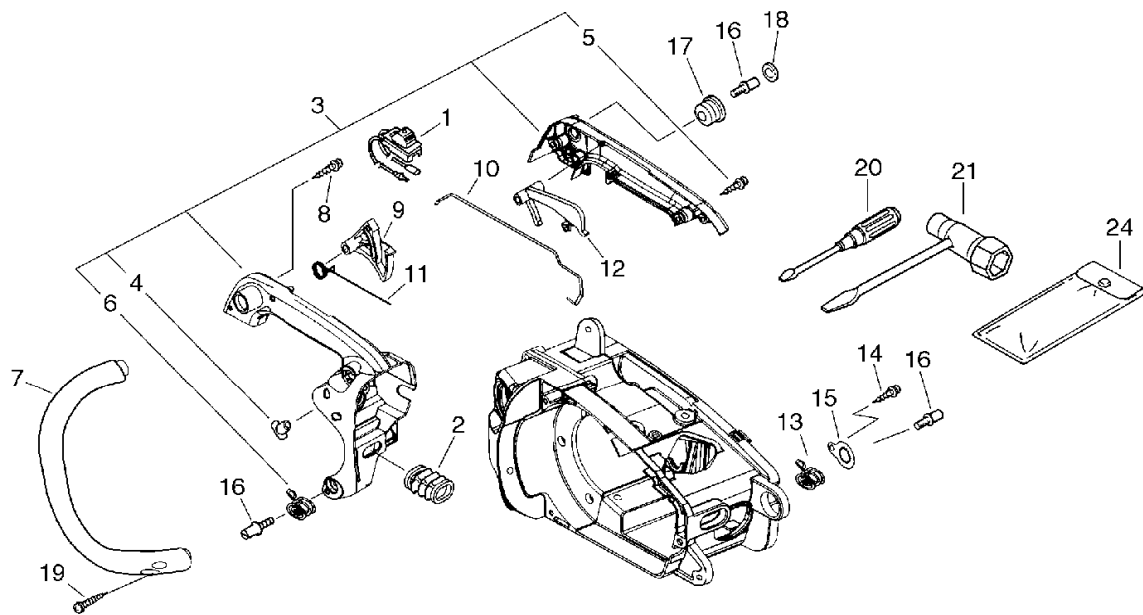
KEY	LV	PART NUMBER	Q'TY	DESCRIPTION	REMARKS	NOTE1	NOTE2
1		A440-000210	1	SWITCH,ON OFF		Sr/Nr 36069194 and before	
2		A239-000000	1	PIPE,INTAKE			
3		P021-001961	1	HANDLE SET, REAR		Sus. by P021- 001963	
3		P021-001962	1	HANDLE SET, REAR		Sus. by P021- 001963	
3		P021-001963	1	HANDLE SET, REAR			
4	+	130020-33330	2	NUT			
5	+	900256-04016	4	SCREW 4*16	4*16		
6	+	V450-000340	1	SPRING,COMPRESSION	ES		
7		C400-000050	1	HANDLE,FRONT			
8		900253-05020	1	SCREW 5*20	5*20		
9		C450-000010	1	TRIGGER,THROTTLE			
10		C454-000050	1	ROD,THROTTLE		Sus. by C454- 000051	
10		C454-000051	1	ROD,THROTTLE			
11		V452-000010	1	SPRING,TORSION			
12		C460-000000	1	LOCKOUT,THROTTLE		Sus. by C460- 000002	
12		C460-000001	1	LOCKOUT,THROTTLE		Sus. by C460- 000002	
12		C460-000002	1	LOCKOUT,THROTTLE			
13		V450-000080	1	SPRING,COMPRESSION			
14		900253-04012	1	SCREW	4*12		
15		V150-000420	1	PLATE,EYE			

6. Handle, Tools(Sr/Nr 36069194 and before)



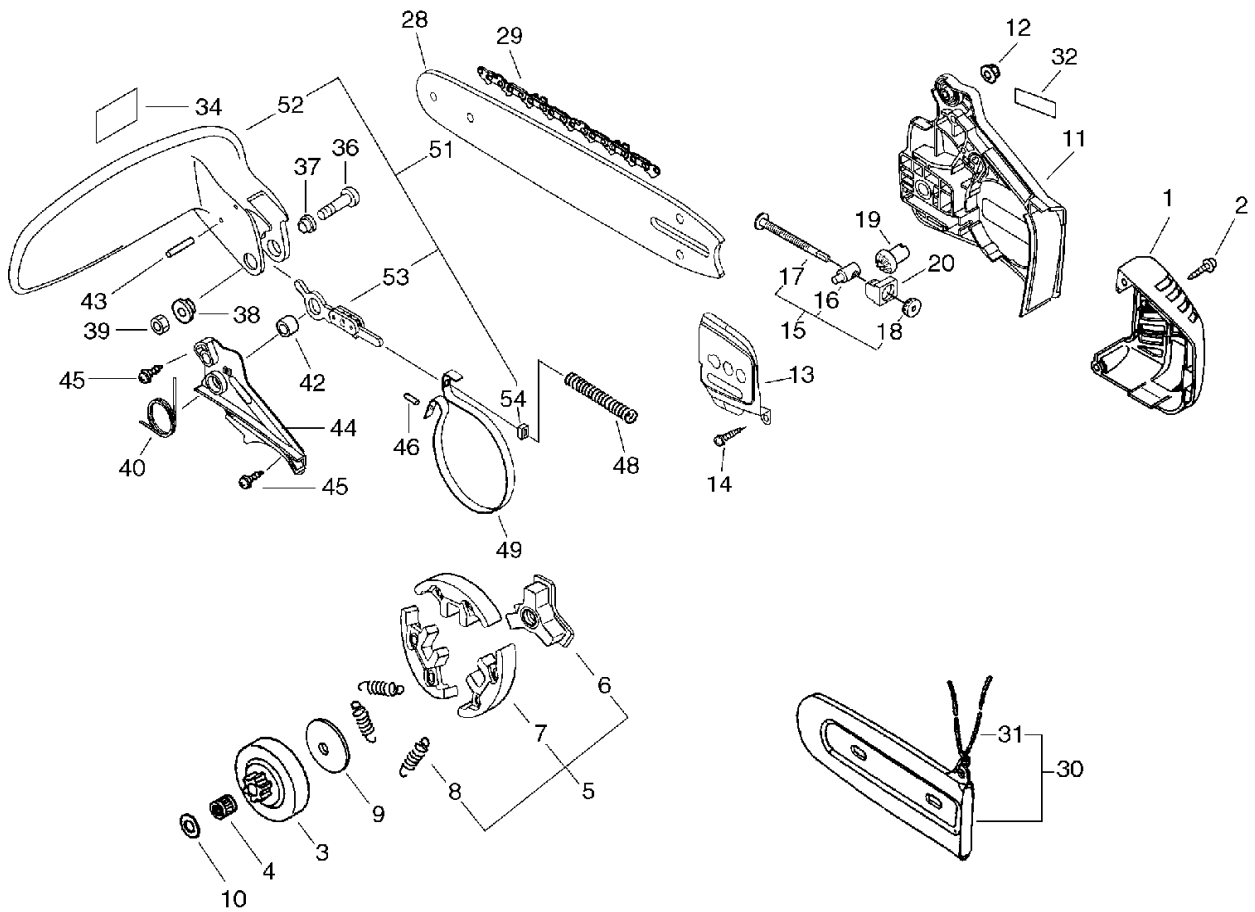
KEY	LV	PART NUMBER	Q'TY	DESCRIPTION	REMARKS	NOTE1	NOTE2
16		V202-000000	3	BOLT,4			
17		100921-39130	1	CUSHION			
18		100918-15130	1	CAP			
19		900256-04016	2	SCREW 4*16	4*16		
20		895812-03930	1	DRIVER, SCREW 50			
21		895410-02830	1	WRENCH, W/S. DRIVER			
24		898510-39130	1	BAG, TOOL			

7. Handle, Tools(Sr/Nr 36069195 and after)



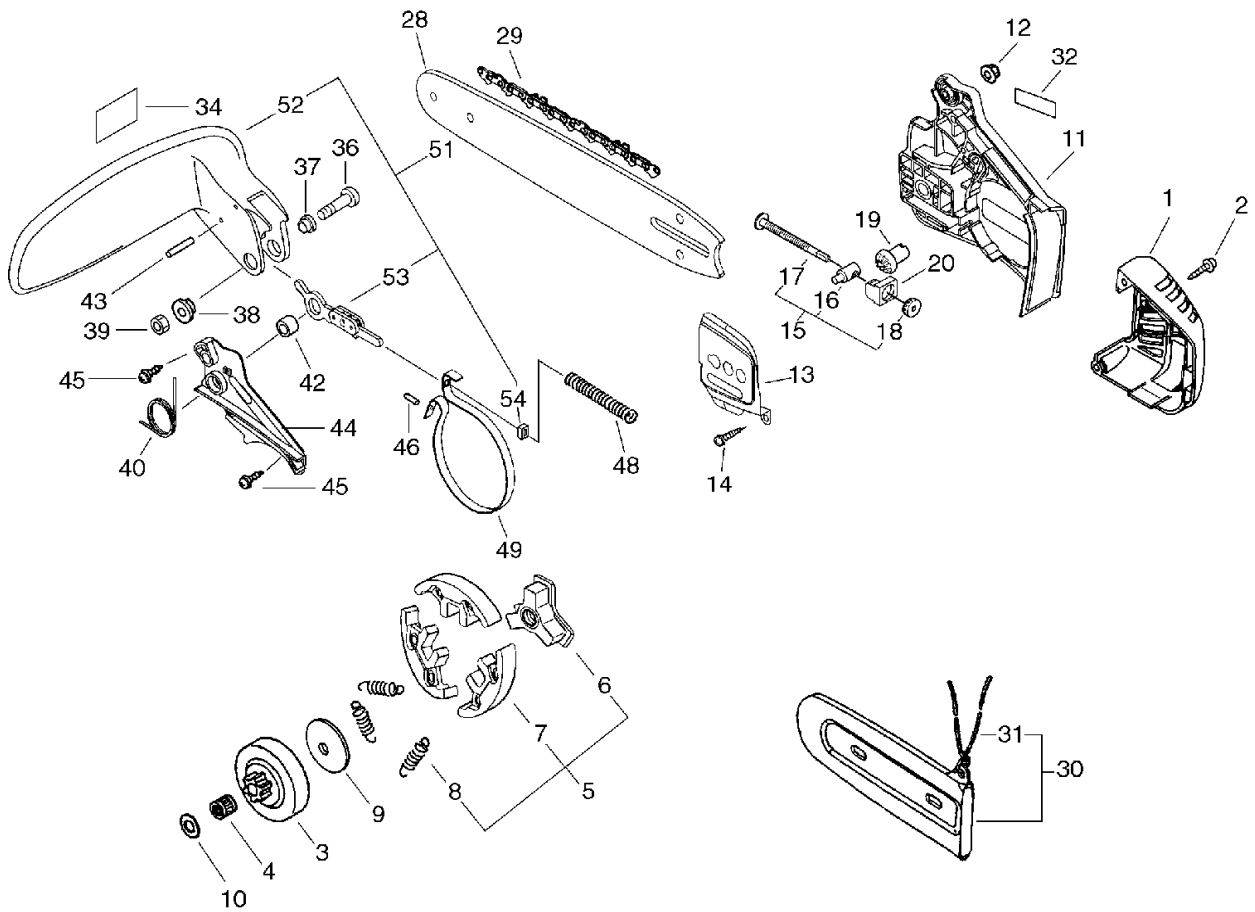
KEY	LV	PART NUMBER	Q'TY	DESCRIPTION	REMARKS	NOTE1	NOTE2
1		A440-000211	1	SWITCH,ON OFF			
2		A239-000000	1	PIPE,INTAKE			
3		P021-001963	1	HANDLE SET, REAR			
4	+	130020-33330	2	NUT			
5	+	900256-04016	4	SCREW 4*16	4*16		
6	+	V450-000340	1	SPRING,COMPRESSION	ES		
7		C400-000050	1	HANDLE,FRONT			
8		900253-05020	1	SCREW 5*20	5*20		
9		C450-000010	1	TRIGGER,THROTTLE			
10		C454-000051	1	ROD,THROTTLE			
11		V452-000010	1	SPRING,TORSION			
12		C460-000002	1	LOCKOUT,THROTTLE			
13		V450-000080	1	SPRING,COMPRESSION			
14		900253-04012	1	SCREW	4*12		
15		V150-000420	1	PLATE,EYE			
16		V202-000000	3	BOLT,4			
17		100921-39130	1	CUSHION			
18		100918-15130	1	CAP			
19		900256-04016	2	SCREW 4*16	4*16		
20		895812-03930	1	DRIVER, SCREW 50			
21		895410-02830	1	WRENCH, W/S. DRIVER			
24		898510-39130	1	BAG, TOOL			

8. Clutch, Sprocket(Sr/Nr 36064658 and before)



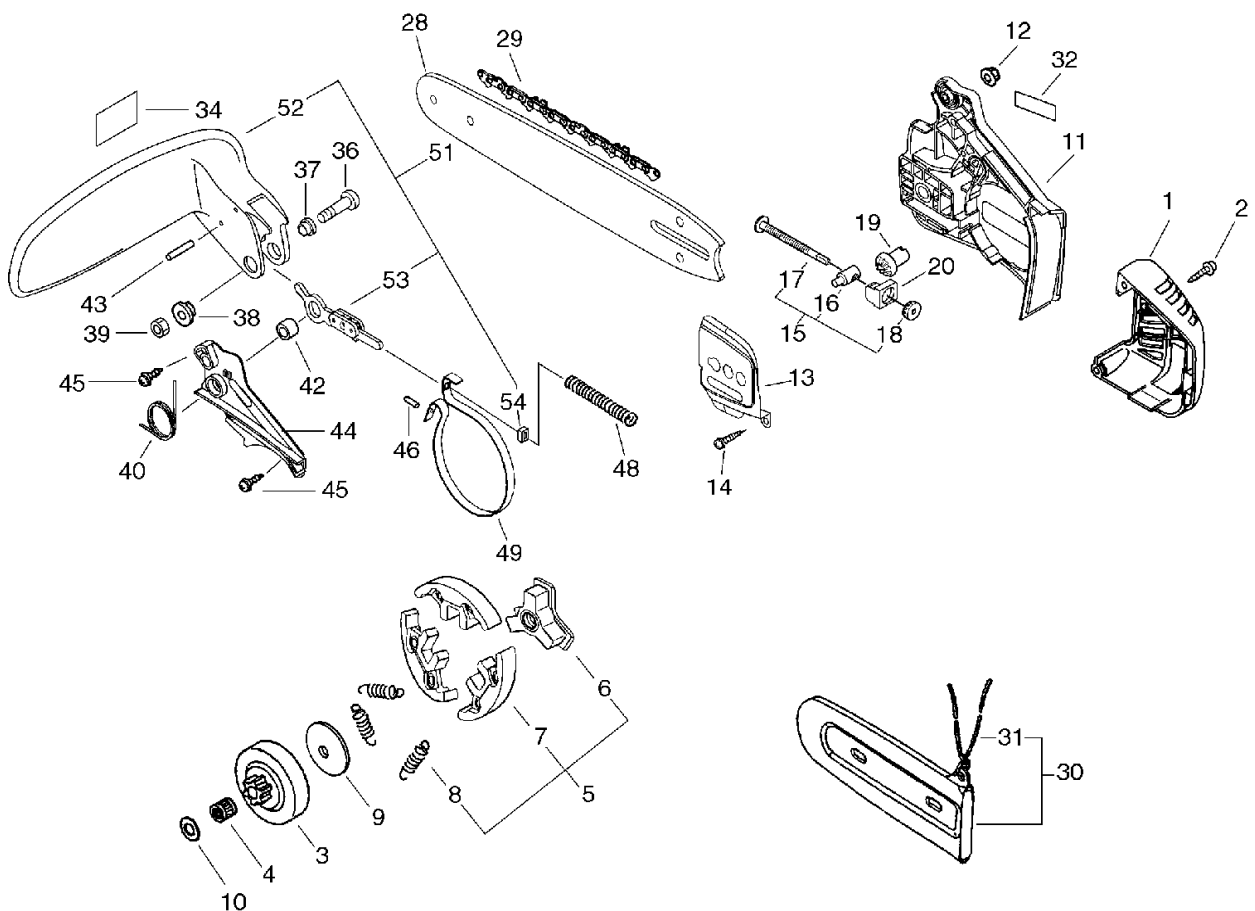
KEY	LV	PART NUMBER	Q'TY	DESCRIPTION	REMARKS	NOTE1	NOTE2
1		A320-000021	1	COVER,MUFFLER			
2		900253-04016	2	SCREW 4*16	4*16		
3		A556-000091	1	DRUM,CLUTCH	3/8A	3/8A	
3		A556-000101	1	DRUM,CLUTCH	1/4A	1/4A	
4		175012-35630	1	BEARING, NEEDLE	10*13*10		
5		A056-000030	1	CLUTCH			
6	+	A552-000020	1	HUB,CLUTCH			
7	+	P021-001950	1	CLUTCH SHOE SET			
8	+	V451-000150	3	SPRING,TENSION			
9		A551-000010	1	PLATE,CLUTCH			
10		175014-39130	1	WASHER, CLUTCH	10.2*25*1.2	Sus. by 175014-39131	
10		175014-39131	1	WASHER, CLUTCH	10.2*24.5*1.2		
11		C300-000170	1	GUARD,SPROCKET			
12		433019-12330	1	NUT, FLANGE 8	M-8		
13		C305-000031	1	PLATE,SPROCKET GUARD			
14		900253-04010	1	SCREW 4*10	4*10		
15		P021-000063	1	TENSIONER,CHAIN ASY			
16	+	C309-000030	1	TENSIONER,CHAIN			
17	+	V203-000021	1	BOLT,5			
18	+	V651-000011	1	GEAR,BEVEL			
19		V651-000001	1	GEAR,BEVEL			
20		V355-000270	1	COLLAR,8			
28		X121-000000	1	BAR,GUIDE25RC50S-3/8	25RC50S-3/8	Sus. by X121-000002	

8. Clutch, Sprocket(Sr/Nr 36064658 and before)



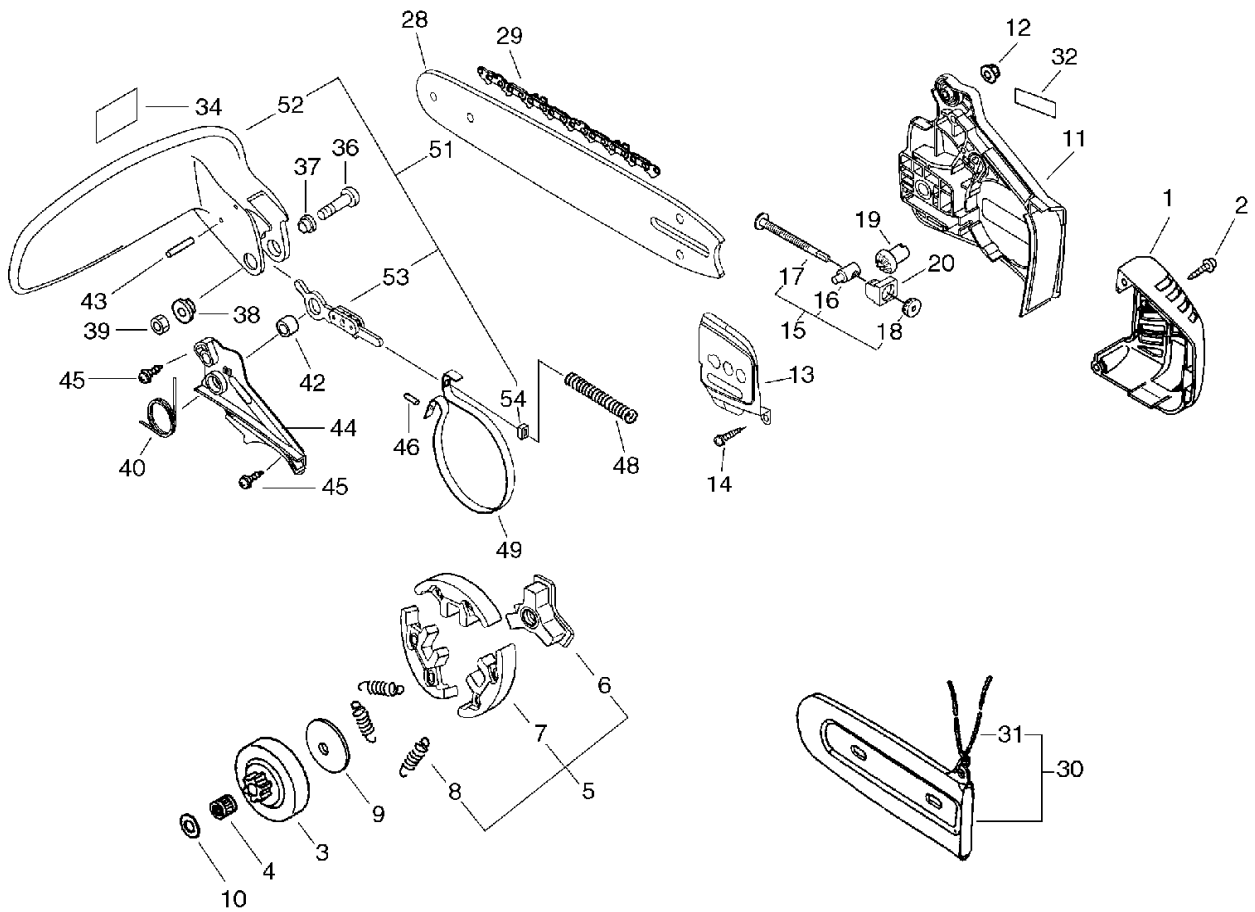
KEY	LV	PART NUMBER	Q'TY	DESCRIPTION	REMARKS	NOTE1	NOTE2
28		X121-000001	1	BAR,GUIDE25RC50S-3/8	25RC50S-3/8	Sus. by X121-000002	
28		X121-000002	1	BAR,GUIDE25RC50S-3/8	25RC50S-3/8	25RC50S-3/8	
28		X101-000010	1	BAR,GUIDE 25C50SL	25C50SL ECHO	25C50SL	
29		X221-000000	1	CHAIN,SAW	91VG-40E	91VG-40E	
29		431610-10030	1	CHAIN, SAW	25AP-60E	25AP-60E	
30		P021-002010	1	CHAIN SCABBARD			
31	+	898568-14530	1	ROPE	5*900		
32		X502-000020	1	LABEL,ECHO		Sus. by X502-000340	
34		X505-000370	1	LABEL,CAUTION			
36		91318-05032	1	SCREW	5*32		
37		433167-39130	1	SPACER			
38		V353-000060	1	COLLAR,5			
39		900560-00005	1	NUT, LOCK 5	5	Sus. by 900562-50005	
39		900562-50005	1	LOCKNUT 5	5		
40		V452-000110	1	SPRING,TORSION			
42		433116-35430	1	SPACER 8	8*12*9		
43		900330-30260	2	ROLLER 3*26	3*26		
44		C345-000110	1	COVER,BRAKE		Sus. by C345-000112	
44		C345-000111	1	COVER,BRAKE		Sus. by C345-000112	
44		C345-000112	1	COVER,BRAKE			
45		900253-04012	2	SCREW	4*12		

8. Clutch, Sprocket(Sr/Nr 36064658 and before)

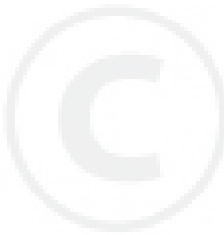


KEY	LV	PART NUMBER	Q'TY	DESCRIPTION	REMARKS	NOTE1	NOTE2
46		93050-30098	1	ROLLER	F3*9.8		
48		V450-000070	1	SPRING,COMPRESSION			
49		C328-000020	1	BAND,BRAKE			
51		P021-007980	1	BRAKE LEVER KIT		Sus. by P021-007982	
51		P021-007981	1	BRAKE LEVER KIT		Sus. by P021-007982	
51		P021-007982	1	BRAKE LEVER KIT			
52		C320-000030	1	LEVER,BRAKE		Sus. by P021-007981	
52	+	C320-000031	1	LEVER,BRAKE		Sus. by C320-000032	
52	+	C320-000032	1	LEVER,BRAKE		Sr/Nr 35009689 and after	
53		C334-000040	1	CONNECTOR,BRAKE		Sr/Nr 35009688 and before	
53	+	C334-000060	1	CONNECTOR,BRAKE		Sus. by C334-000070	
53	+	C334-000070	1	CONNECTOR,BRAKE		Sr/Nr 35009689 and after	
54	+	V376-000450	1	SPACER		Sr/Nr 35009688 and before	
54	+	V376-000540	1	SPACER		Sr/Nr 35009689 to 36004050	

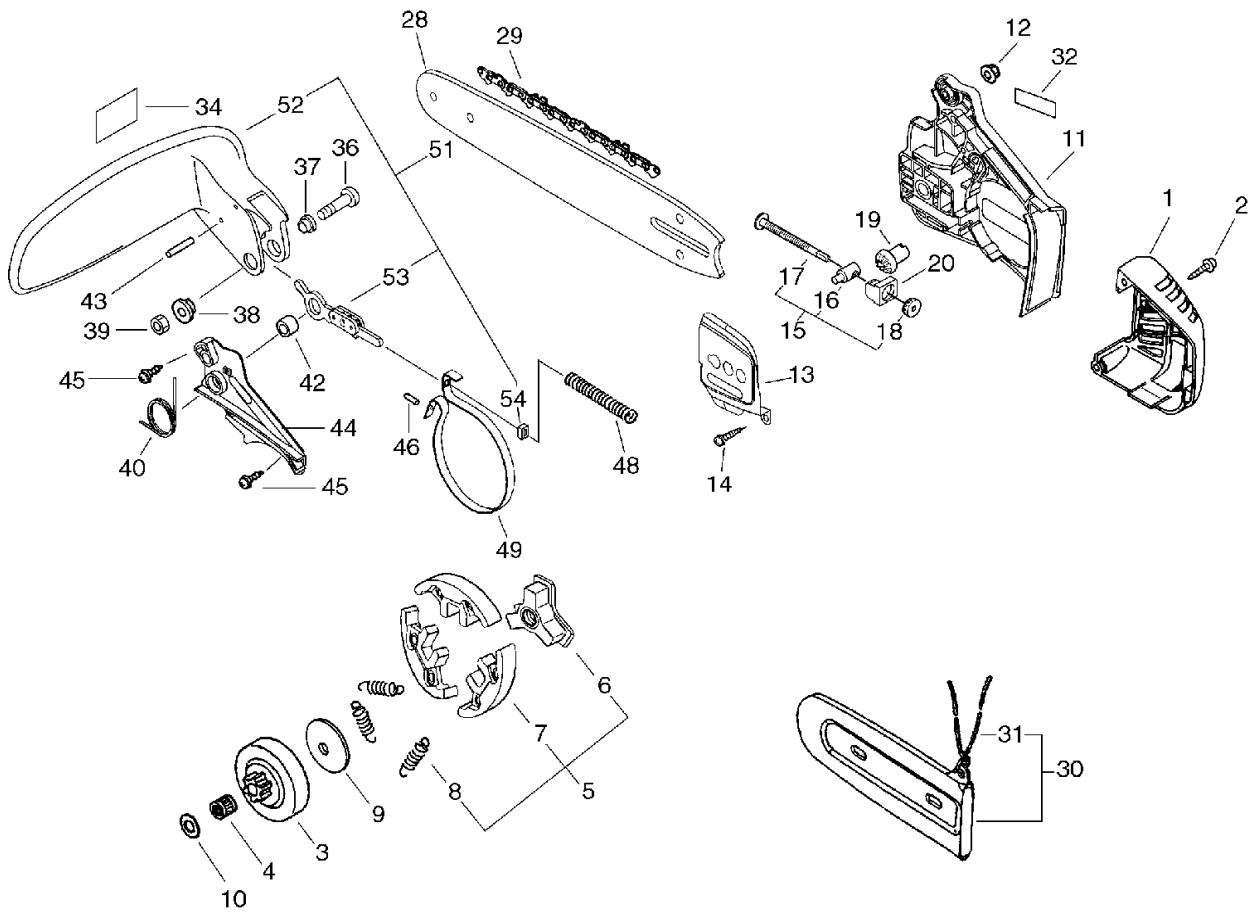
8. Clutch, Sprocket(Sr/Nr 36064658 and before)



KEY	LV	PART NUMBER	Q'TY	DESCRIPTION	REMARKS	NOTE1	NOTE2
54	+	V376-000450	1	SPACER		Sr/Nr 36004051 and after	

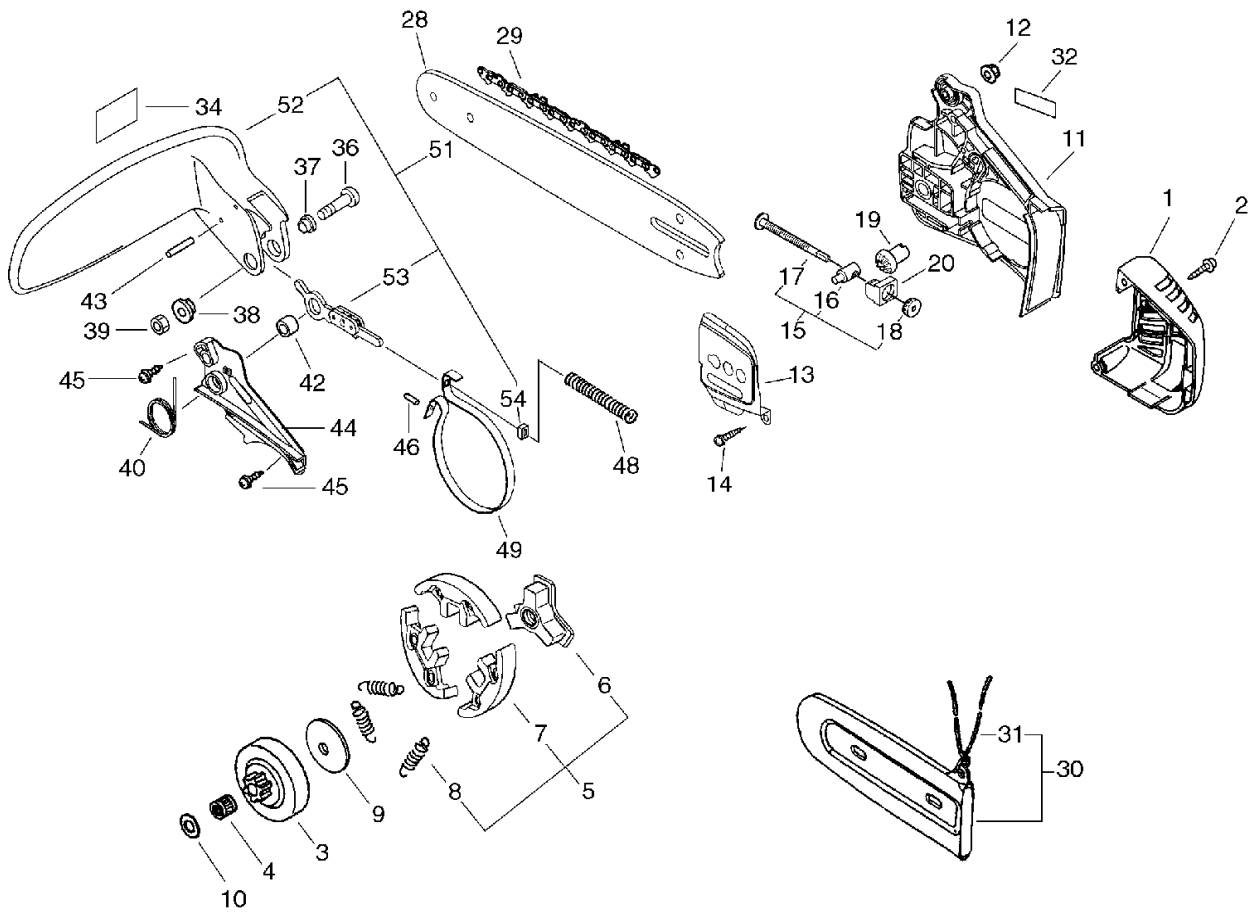


9. Clutch, Sprocket(Sr/Nr 36064659 and after)



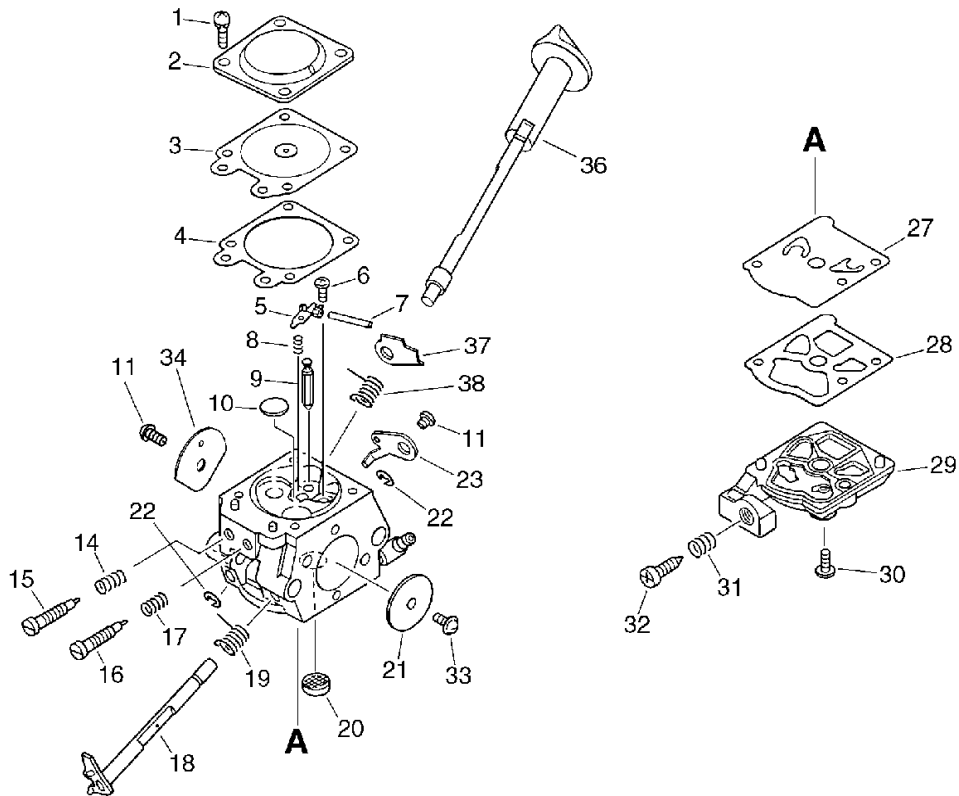
KEY	LV	PART NUMBER	Q'TY	DESCRIPTION	REMARKS	NOTE1	NOTE2
1		A320-000021	1	COVER,MUFFLER			
2		900253-04016	2	SCREW 4*16	4*16		
3		A556-000091	1	DRUM,CLUTCH	3/8A	3/8A	
3		A556-000101	1	DRUM,CLUTCH	1/4A	1/4A	
4		175012-35630	1	BEARING, NEEDLE	10*13*10		
5		A056-000030	1	CLUTCH			
6	+	A552-000020	1	HUB,CLUTCH			
7	+	P021-001950	1	CLUTCH SHOE SET			
8	+	V451-000150	3	SPRING,TENSION			
9		A551-000010	1	PLATE,CLUTCH			
10		175014-39131	1	WASHER, CLUTCH	10.2*24.5*1.2		
11		C300-000170	1	GUARD,SPROCKET			
12		433019-12330	1	NUT, FLANGE 8	M-8		
13		C305-000031	1	PLATE,SPROCKET GUARD			
14		900253-04010	1	SCREW 4*10	4*10		
15		P021-000063	1	TENSIONER,CHAIN ASY			
16	+	C309-000030	1	TENSIONER,CHAIN			
17	+	V203-000021	1	BOLT,5			
18	+	V651-000011	1	GEAR,BEVEL			
19		V651-000001	1	GEAR,BEVEL			
20		V355-000270	1	COLLAR,8			
28		X121-000002	1	BAR,GUIDE25RC50S-3/8	25RC50S-3/8		
28		X101-000010	1	BAR,GUIDE 25C50SL	25C50SL ECHO		
29		X221-000000	1	CHAIN,SAW	91VG-40E	91VG-40E	
29		431610-10030	1	CHAIN, SAW	25AP-60E	25AP-60E	

9. Clutch, Sprocket(Sr/Nr 36064659 and after)



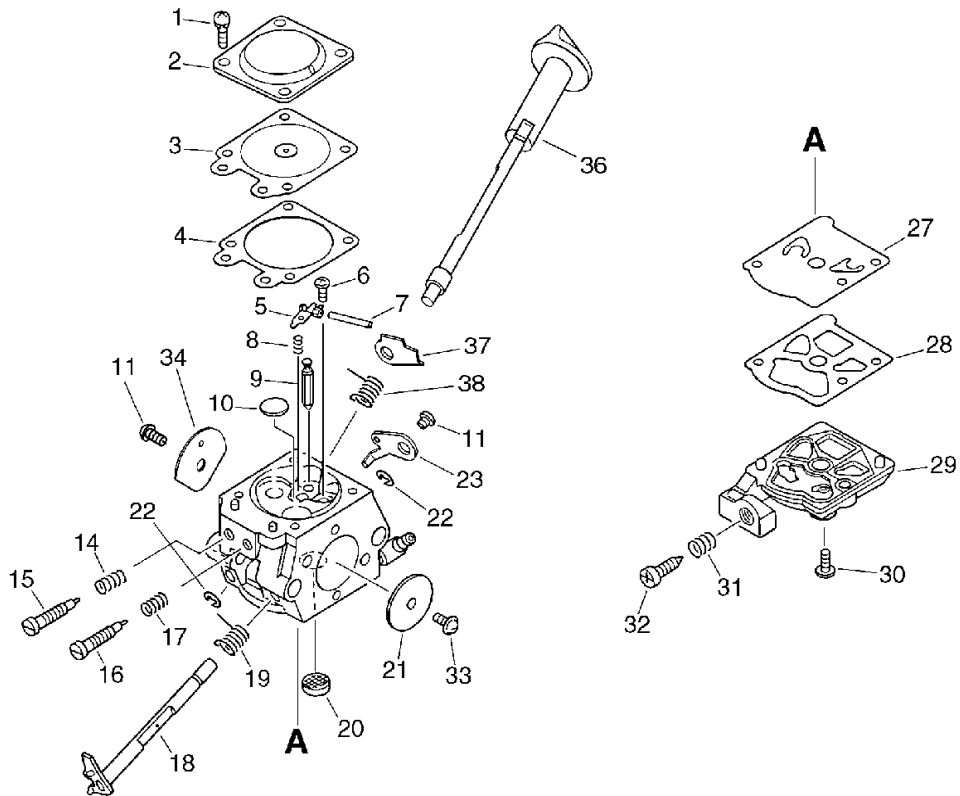
KEY	LV	PART NUMBER	Q'TY	DESCRIPTION	REMARKS	NOTE1	NOTE2
30		P021-002010	1	CHAIN SCABBARD			
31	+	898568-14530	1	ROPE	5*900		
32		X502-000340	1	LABEL,ECHO	ECHO(WHITE)		
34		X505-000370	1	LABEL,CAUTION			
36		91318-05032	1	SCREW	5*32		
37		433167-39130	1	SPACER			
38		V353-000060	1	COLLAR,5			
39		900562-50005	1	LOCKNUT 5	5		
40		V452-000110	1	SPRING,TORSION			
42		433116-35430	1	SPACER 8	8*12*9		
43		900330-30260	2	ROLLER 3*26	3*26		
44		C345-000112	1	COVER,BRAKE			
45		900253-04012	2	SCREW	4*12		
46		93050-30098	1	ROLLER	F3*9.8		
48		V450-000070	1	SPRING,COMPRESSION			
49		C328-000020	1	BAND,BRAKE			
51		P021-007982	1	BRAKE LEVER KIT			
52	+	C320-000032	1	LEVER,BRAKE			
52	+	C320-000033	1	LEVER,BRAKE			
53	+	C334-000070	1	CONNECTOR,BRAKE			
54	+	V376-000450	1	SPACER			

10. Carburetor(Sr/Nr 35010651 and before)



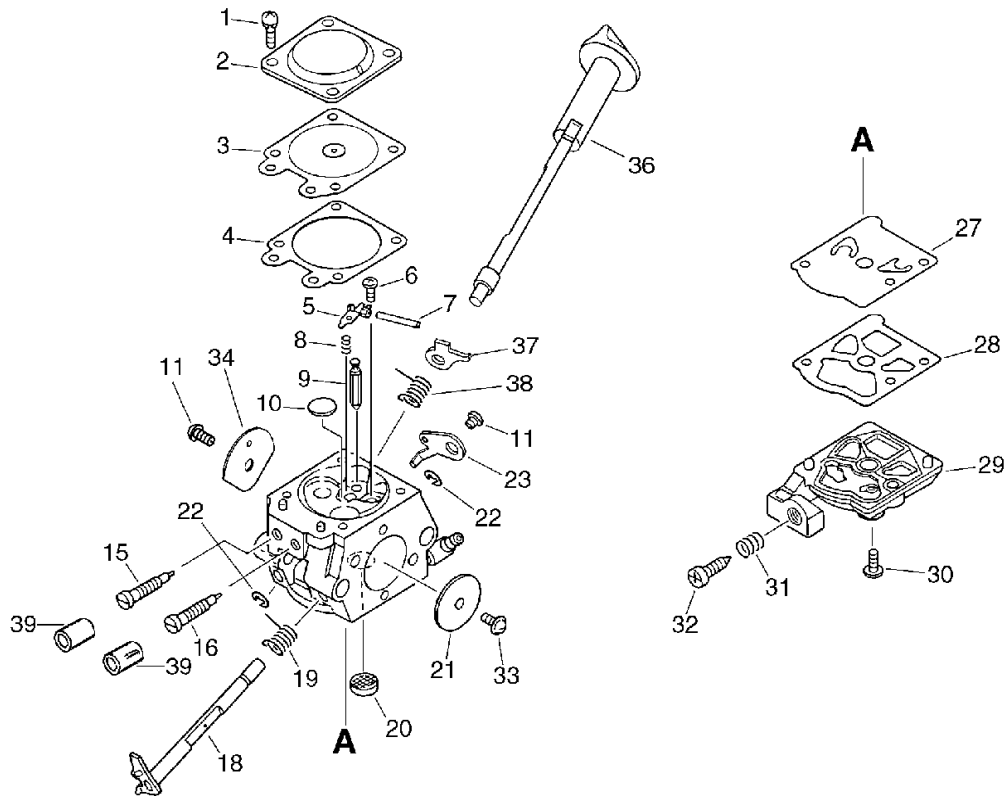
KEY	LV	PART NUMBER	Q'TY	DESCRIPTION	REMARKS	NOTE1	NOTE2
		A021-000211	1	CARBURETOR,DIAPHRAGM	WT-584		
1	+	123130-02960	4	SCREW			
2	+	123142-03930	1	COVER, M. DIAPHRAGM			
3	+	123141-03930	1	DIAPHRAGM, METERING			
4	+	123140-27230	1	GASKET,M. DIAPHRAGM			
5	+	123123-38330	1	LEVER, METERING			
6	+	123139-03930	1	SCREW, M. LEVER PIN			
7	+	123138-03930	1	PIN, METERING LEVER			
8	+	123122-03660	1	SPRING, METER. LEVER			
9	+	123137-19830	1	VALVE, INLET NEEDLE			
10	+	123146-10631	1	PLUG, WELCH			
11	+	123114-38830	2	SCREW			
14	+	123119-22130	1	SPRING, NEEDLE			
15	+	P003-000390	1	NEEDLE, HIGH SPEED			
16	+	123118-38330	1	NEEDLE, IDLE			
17	+	123121-22130	1	SPRING, NEEDLE			
18	+	P003-000370	1	SHAFT, THROTTLE			
19	+	123113-37530	1	SPRING, THROTTLE RTN			
20	+	123126-10631	1	SCREEN, INLET			
21	+	123116-05960	1	VALVE, THROTTLE			
22	+	123127-15030	2	RING			
23	+	P003-000380	1	THROTTLE, LEVER			
27	+	123112-15030	1	DIAPHRAGM, FUEL PUMP			
28	+	123125-15030	1	GASKET, FUEL PUMP			
29	+	123124-24430	1	COVER, FUEL PUMP			
30	+	123110-03930	1	SCREW, PUMP COVER			

10. Carburetor(Sr/Nr 35010651 and before)



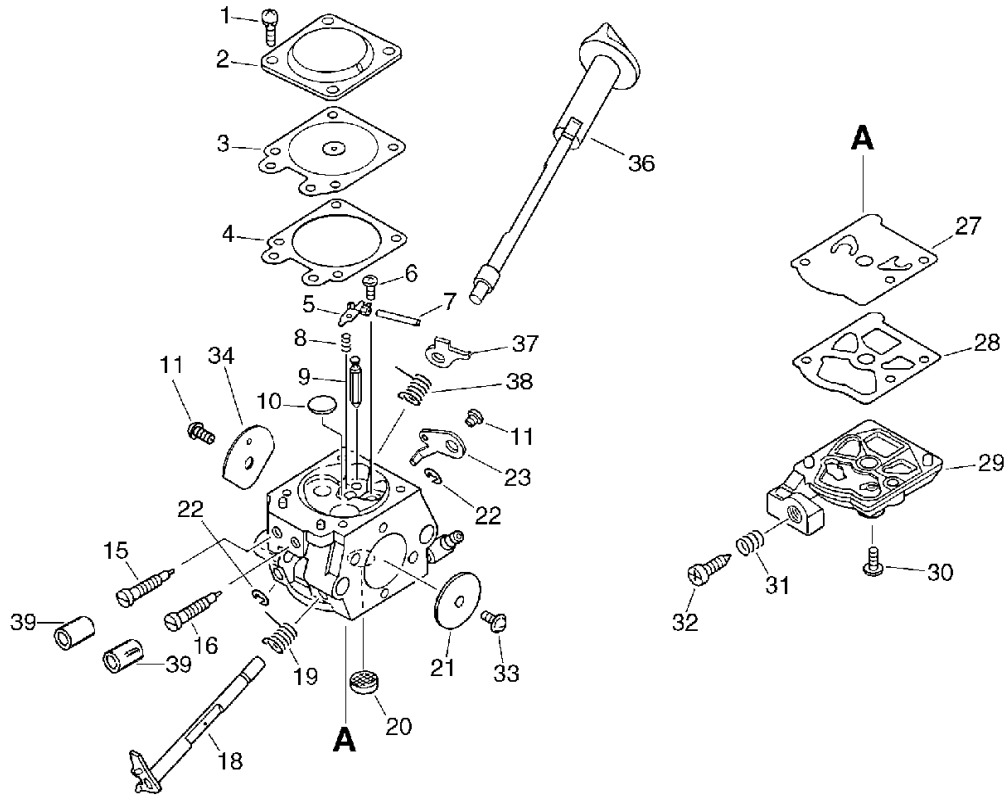
KEY	LV	PART NUMBER	Q'TY	DESCRIPTION	REMARKS	NOTE1	NOTE2
31	+	123133-04260	1	SPRING, IDLE ADJUST			
32	+	123134-04260	1	SCREW, IDLE ADJUST			
33	+	123114-05260	1	SCREW			
34	+	P003-000410	1	VALVE CHOKE			
36	+	P003-000400	1	SHAFT-CHOKE(MOLD)			
37	+	P003-000430	1	LEVER-FAST IDLE			
38	+	P003-000420	1	SPRING			

11. Carburetor(Sr/Nr 36001001 and after)



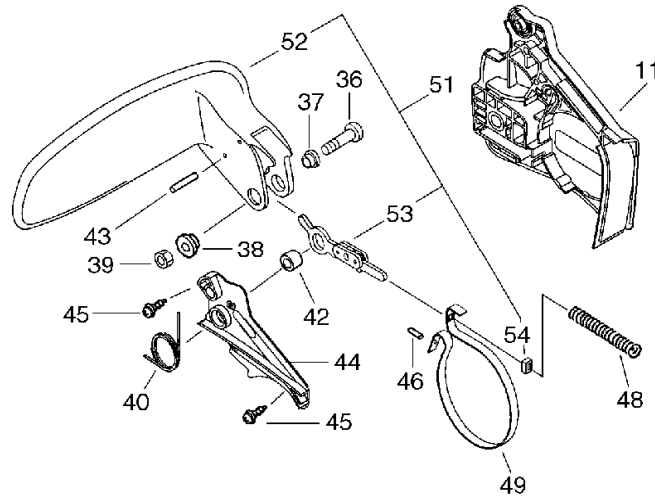
KEY	LV	PART NUMBER	Q'TY	DESCRIPTION	REMARKS	NOTE1	NOTE2
		A021-000970	1	CARBURETOR,DIAPHRAGM	WT696	Sus. by A021-000973	
		A021-000972	1	CARBURETOR,DIAPHRAGM		Sus. by A021-000973	
		A021-000973	1	CARBURETOR,DIAPHRAGM	WT696C		
1	+	123130-02960	4	SCREW			
2	+	123142-03930	1	COVER, M. DIAPHRAGM			
3	+	123141-03930	1	DIAPHRAGM, METERING			
4	+	123140-27230	1	GASKET,M. DIAPHRAGM			
5	+	123123-38330	1	LEVER, METERING			
6	+	123139-03930	1	SCREW, M. LEVER PIN			
7	+	123138-03930	1	PIN, METERING LEVER			
8	+	123122-03660	1	SPRING, METER. LEVER			
9	+	123137-19830	1	VALVE, INLET NEEDLE			
10	+	123146-10631	1	PLUG, WELCH			
11	+	123114-38830	2	SCREW			
15	+	123118-02261	1	NEEDLE			
16	+	123120-52131	1	NEEDLE, HIGH SPEED			
18	+	P003-001300	1	SHAFT, THROTTLE			
19	+	123113-37530	1	SPRING, THROTTLE RTN			
20	+	123126-10631	1	SCREEN, INLET			
21	+	123116-05960	1	VALVE, THROTTLE			
22	+	123127-15030	2	RING			
23	+	P003-000380	1	THROTTLE, LEVER			
27	+	123112-15030	1	DIAPHRAGM, FUEL PUMP			
28	+	123125-15030	1	GASKET, FUEL PUMP			

11. Carburetor(Sr/Nr 36001001 and after)



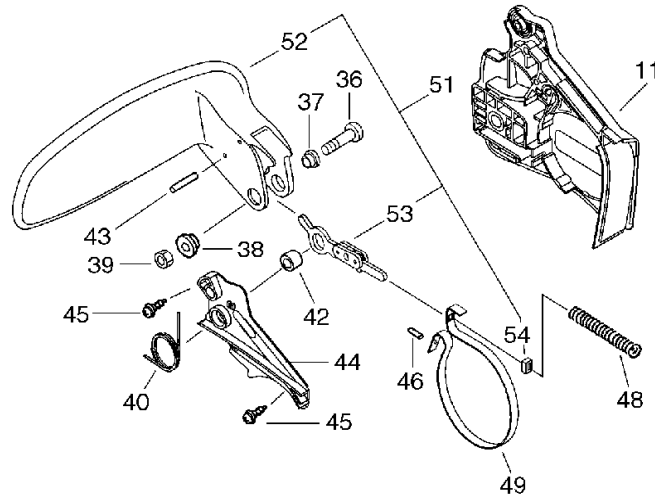
KEY	LV	PART NUMBER	Q'TY	DESCRIPTION	REMARKS	NOTE1	NOTE2
29	+	123124-24430	1	COVER, FUEL PUMP			
30	+	123110-03930	1	SCREW, PUMP COVER			
31	+	123133-04260	1	SPRING, IDLE ADJUST			
32	+	123134-04260	1	SCREW, IDLE ADJUST			
33	+	123114-05260	1	SCREW			
34	+	P003-000410	1	VALVE CHOKE		Sr/Nr 36019120 and before	
34	+	123132-35430	1	VALVE, CHOKE		Sr/Nr 36019121 and after	
36	+	P003-000400	1	SHAFT-CHOKE(MOLD)			
37	+	P003-000430	1	LEVER-FAST IDLE		Sr/Nr 36019120 and before	
37	+	P003-001480	1	LEVER-FAST IDLE		Sus. by P003- 001510	
37	+	P003-001510	1	LEVER-FAST IDLE		Sr/Nr 36019121 and after	
38	+	P003-000420	1	SPRING		Sr/Nr 36019120 and before	
38	+	P003-001470	1	SPRING		Sr/Nr 36019121 and after	
39	+	P003-000010	2	LIMITER CAP			

12. Chain Brake Assy(Sr/Nr 36064658 and before)



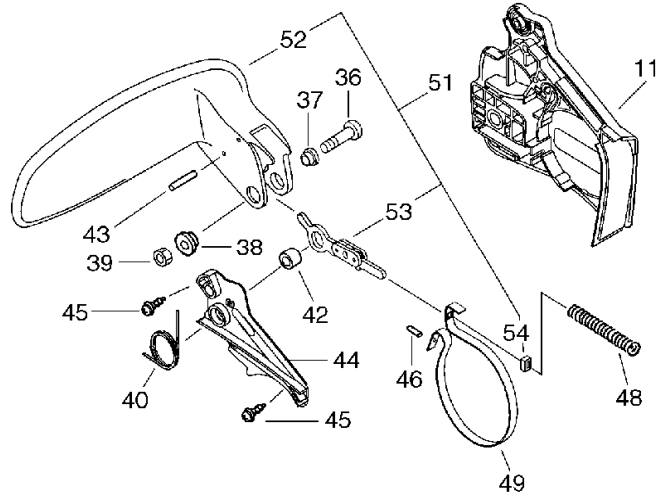
KEY	LV	PART NUMBER	Q'TY	DESCRIPTION	REMARKS	NOTE1	NOTE2
		C032-000160	1	BRAKE,ASM CHAIN		Sus. by C032-000165	
		C032-000161	1	BRAKE,ASM CHAIN		Sus. by C032-000165	
		C032-000162	1	BRAKE,ASM CHAIN		Sus. by C032-000165	
		C032-000163	1	BRAKE,ASM CHAIN		Sus. by C032-000165	
		C032-000164	1	BRAKE,ASM CHAIN		Sus. by C032-000165	
		C032-000165	1	BRAKE,ASM CHAIN		Sus. by C032-000166	
11	+	C300-000170	1	GUARD,SPROCKET			
36	+	91318-05032	1	SCREW	5*32		
37	+	433167-39130	1	SPACER			
38	+	V353-000060	1	COLLAR,5			
39	+	900560-00005	1	NUT, LOCK 5	5	Sus. by 900562-50005	
39	+	900562-50005	1	LOCKNUT 5	5		
40	+	V452-000110	1	SPRING,TORSION			
42	+	433116-35430	1	SPACER 8	8*12*9		
43	+	900330-30260	2	ROLLER 3*26	3*26		
44	+	C345-000110	1	COVER,BRAKE		Sus. by C345-000112	
44	+	C345-000111	1	COVER,BRAKE		Sus. by C345-000112	

12. Chain Brake Assy(Sr/Nr 36064658 and before)

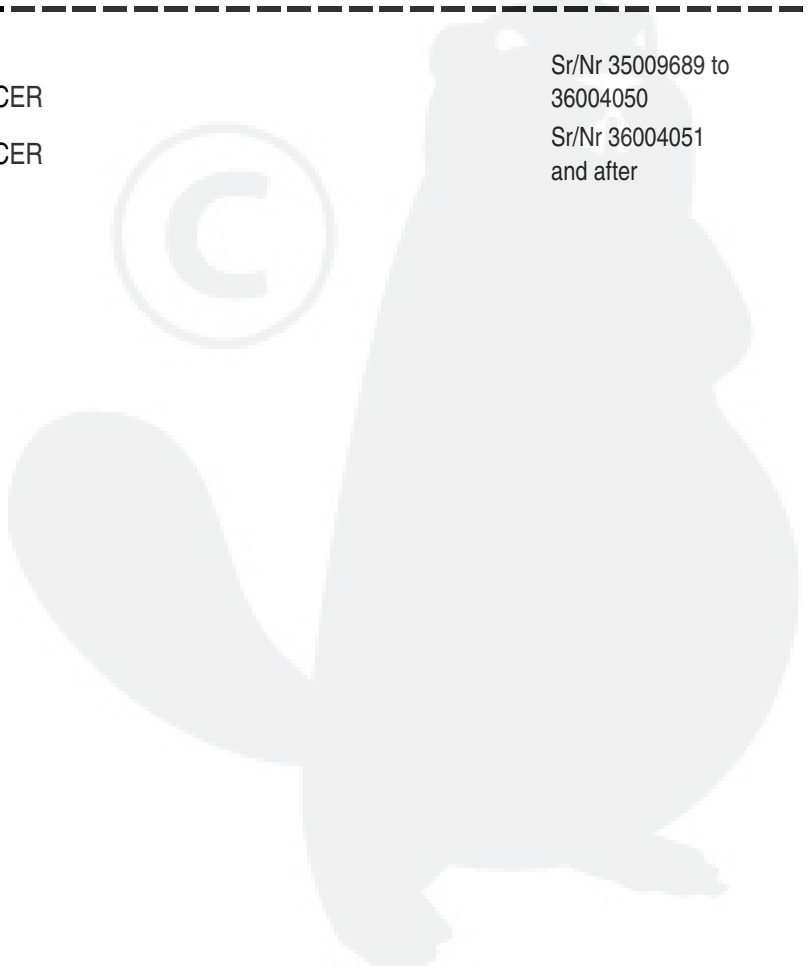


KEY	LV	PART NUMBER	Q'TY	DESCRIPTION	REMARKS	NOTE1	NOTE2
44	+	C345-000112	1	COVER,BRAKE			
45	+	900253-04012	2	SCREW	4*12		
46	+	93050-30098	1	ROLLER	F3*9.8		
47	+	V376-000450	1	SPACER			
48	+	V450-000070	1	SPRING,COMPRESSION			
49	+	C328-000020	1	BAND,BRAKE			
51	+	P021-007980	1	BRAKE LEVER KIT		Sus. by P021-007982	
51	+	P021-007981	1	BRAKE LEVER KIT		Sus. by P021-007982	
51	+	P021-007982	1	BRAKE LEVER KIT			
52	+	C320-000030	1	LEVER,BRAKE		Sus. by P021-007981	
52	++	C320-000031	1	LEVER,BRAKE		Sus. by C320-000032	
52	++	C320-000032	1	LEVER,BRAKE		Sr/Nr 35009689 and after	
53	+	C334-000040	1	CONNECTOR,BRAKE		Sr/Nr 35009688 and before	
53	++	C334-000060	1	CONNECTOR,BRAKE		Sus. by C334-000070	
53	++	C334-000070	1	CONNECTOR,BRAKE		Sr/Nr 35009689 and after	
54	+	V376-000450	1	SPACER		Sr/Nr 35009688 and before	

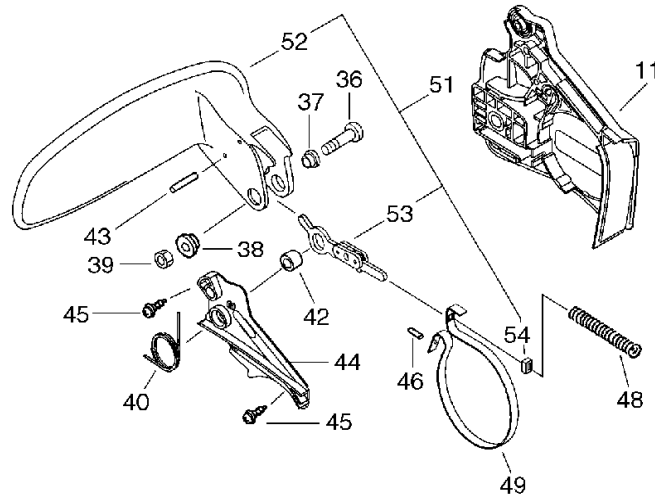
12. Chain Brake Assy(Sr/Nr 36064658 and before)



KEY	LV	PART NUMBER	Q'TY	DESCRIPTION	REMARKS	NOTE1	NOTE2
54	++	V376-000540	1	SPACER		Sr/Nr 35009689 to 36004050	
54	++	V376-000450	1	SPACER		Sr/Nr 36004051 and after	



13. Chain Brake Assy(Sr/Nr 36064659 and after)



KEY	LV	PART NUMBER	Q'TY	DESCRIPTION	REMARKS	NOTE1	NOTE2
		C032-000165	1	BRAKE,ASM CHAIN		Sus. by C032-000166	
		C032-000166	1	BRAKE,ASM CHAIN			
11	+	C300-000170	1	GUARD, SPROCKET			
36	+	91318-05032	1	SCREW	5*32		
37	+	433167-39130	1	SPACER			
38	+	V353-000060	1	COLLAR,5			
39	+	900562-50005	1	LOCKNUT 5	5		
40	+	V452-000110	1	SPRING, TORSION			
42	+	433116-35430	1	SPACER 8	8*12*9		
43	+	900330-30260	2	ROLLER 3*26	3*26		
44	+	C345-000112	1	COVER, BRAKE			
45	+	900253-04012	2	SCREW	4*12		
46	+	93050-30098	1	ROLLER	F3*9.8		
48	+	V450-000070	1	SPRING, COMPRESSION			
49	+	C328-000020	1	BAND, BRAKE			
51	+	P021-007982	1	BRAKE LEVER KIT			
52	++	C320-000032	1	LEVER, BRAKE			
52	++	C320-000033	1	LEVER, BRAKE			
53	++	C334-000070	1	CONNECTOR, BRAKE			
54	++	V376-000450	1	SPACER			

Index

Patrs Number	Key No.	Patrs Number	Key No.	Patrs Number	Key No.
100011-05731	1 - 4	123139-03930	11 - 6	433116-35430	12 - 42
100013-22330	1 - 5	123140-27230	10 - 4	433116-35430	13 - 42
100014-11520	1 - 7	123140-27230	11 - 4	433116-35430	8 - 42
100015-04630	1 - 6	123141-03930	10 - 3	433116-35430	9 - 42
100918-15130	6 - 18	123141-03930	11 - 3	433167-39130	12 - 37
100918-15130	7 - 18	123142-03930	10 - 2	433167-39130	13 - 37
100921-39130	6 - 17	123142-03930	11 - 2	433167-39130	8 - 37
100921-39130	7 - 17	123146-10631	10 - 10	433167-39130	9 - 37
123110-03930	10 - 30	123146-10631	11 - 10	436114-13930	1 - 18
123110-03930	11 - 30	123181-39130	5 - 23	436205-02832	5 - 10
123112-15030	10 - 27	129010-33330	2 - 11	890118-49330	3 - 28
123112-15030	11 - 27	130020-33330	6 - 4	890631-38230	3 - 31
123113-37530	10 - 19	130020-33330	7 - 4	890631-38230	4 - 31
123113-37530	11 - 19	131051-19830	5 - 7	895410-02830	6 - 21
123114-05260	10 - 33	131051-19830	5 - 7	895410-02830	7 - 21
123114-05260	11 - 33	131205-14930	5 - 19	895812-03930	6 - 20
123114-38830	10 - 11	131300-56430	5 - 21	895812-03930	7 - 20
123114-38830	11 - 11	132010-00760	5 - 24	898510-39130	6 - 24
123116-05960	10 - 21	132010-11520	5 - 16	898510-39130	7 - 24
123116-05960	11 - 21	132010-22130	5 - 11	898568-14530	8 - 31
123118-02261	11 - 15	132012-11960	5 - 14	898568-14530	9 - 31
123118-38330	10 - 16	132013-09820	5 - 18	900105-05016	3 - 22
123119-22130	10 - 14	132013-26630	5 - 12	900106-05016	1 - 29
123120-52131	11 - 16	132115-01461	5 - 13	900106-05020	1 - 17
123121-22130	10 - 17	132115-44330	5 - 20	900106-05025	1 - 17
123122-03660	10 - 8	145510-13931	2 - 5	900162-04012	1 - 14
123122-03660	11 - 8	150117-16430	3 - 5	900162-05022	1 - 2
123123-38330	10 - 5	150117-16430	4 - 5	900238-04012	5 - 4
123123-38330	11 - 5	156110-04920	3 - 6	900238-05022	3 - 4
123124-24430	10 - 29	156110-04920	4 - 6	900238-05022	4 - 4
123124-24430	11 - 29	156114-07320	3 - 8	900238-05050	2 - 9
123125-15030	10 - 28	156114-07320	4 - 8	900253-04010	8 - 14
123125-15030	11 - 28	159010-10230	3 - 9	900253-04010	9 - 14
123126-10631	10 - 20	159010-10230	4 - 9	900253-04012	1 - 21
123126-10631	11 - 20	163911-30130	1 - 22	900253-04012	12 - 45
123127-15030	10 - 22	175012-35630	8 - 4	900253-04012	13 - 45
123127-15030	11 - 22	175012-35630	9 - 4	900253-04012	6 - 14
123130-02960	10 - 1	175014-39130	8 - 10	900253-04012	7 - 14
123130-02960	11 - 1	175014-39131	8 - 10	900253-04012	8 - 45
123132-35430	11 - 34	175014-39131	9 - 10	900253-04012	9 - 45
123133-04260	10 - 31	177236-61830	3 - 19	900253-04016	8 - 2
123133-04260	11 - 31	177236-61830	4 - 19	900253-04016	9 - 2
123134-04260	10 - 32	177246-11120	3 - 13	900253-05020	1 - 26
123134-04260	11 - 32	177246-11120	4 - 13	900253-05020	6 - 8
123137-19830	10 - 9	431610-10030	8 - 29	900253-05020	7 - 8
123137-19830	11 - 9	431610-10030	9 - 29	900256-04016	3 - 26
123138-03930	10 - 7	433019-12330	8 - 12	900256-04016	4 - 26
123138-03930	11 - 7	433019-12330	9 - 12	900256-04016	6 - 5
123139-03930	10 - 6	433026-35430	1 - 25	900256-04016	6 - 19

Index

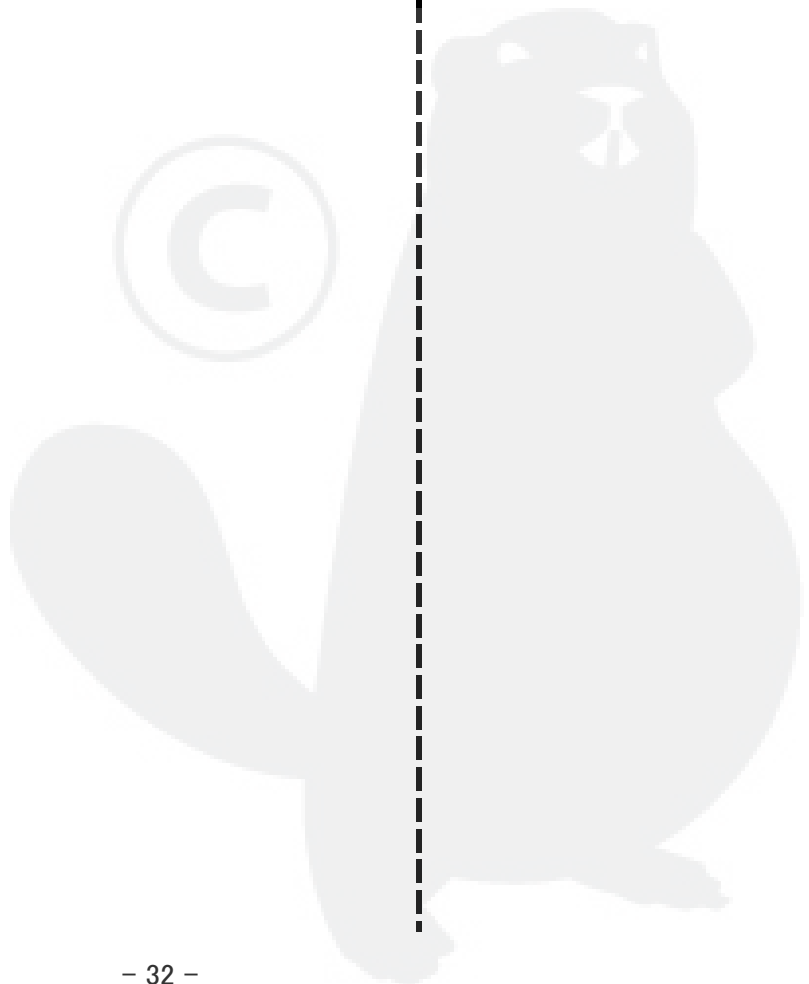
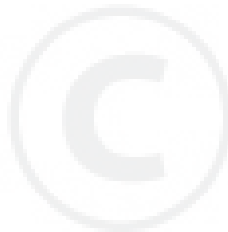
Patrs Number	Key No.	Patrs Number	Key No.	Patrs Number	Key No.
900256-04016	7 - 5	A172-000112	3 - 32	A556-000101	9 - 3
900256-04016	7 - 19	A172-000112	4 - 32	C022-000000	5 - 2
900330-30260	12 - 43	A202-000000	1 - 13	C032-000160	12 -
900330-30260	13 - 43	A202-000001	1 - 13	C032-000161	12 -
900330-30260	8 - 43	A225-000020	2 - 10	C032-000162	12 -
900330-30260	9 - 43	A225-000021	2 - 10	C032-000163	12 -
900515-00008	3 - 2	A225-000022	2 - 10	C032-000164	12 -
900515-00008	4 - 2	A226-000050	2 - 13	C032-000165	12 -
900560-00005	12 - 39	A232-000060	2 - 14	C032-000165	13 -
900560-00005	8 - 39	A232-000061	2 - 14	C032-000166	13 -
900562-50005	12 - 39	A235-000040	2 - 15	C300-000170	12 - 11
900562-50005	13 - 39	A239-000000	6 - 2	C300-000170	13 - 11
900562-50005	8 - 39	A239-000000	7 - 2	C300-000170	8 - 11
900562-50005	9 - 39	A244-000000	2 - 12	C300-000170	9 - 11
900603-00005	3 - 23	A300-000130	2 - 3	C305-000020	1 - 23
900603-00005	4 - 23	A301-000000	2 - 6	C305-000021	1 - 23
900720-00018	5 - 6	A303-000000	2 - 4	C305-000022	1 - 23
900720-00018	5 - 6	A320-000021	8 - 1	C305-000031	8 - 13
900724-00004	1 - 19	A320-000021	9 - 1	C305-000031	9 - 13
900800-36001	1 - 10	A365-000050	5 - 7	C309-000030	8 - 16
91107-05040	2 - 7	A365-000050	5 - 7	C309-000030	9 - 16
91318-05032	12 - 36	A409-000040	3 - 1	C320-000030	12 - 52
91318-05032	13 - 36	A409-000040	4 - 1	C320-000030	8 - 52
91318-05032	8 - 36	A411-000040	3 - 3	C320-000031	12 - 52
91318-05032	9 - 36	A411-000040	4 - 3	C320-000031	8 - 52
93050-30098	12 - 46	A426-000010	3 - 11	C320-000032	12 - 52
93050-30098	13 - 46	A426-000010	4 - 11	C320-000032	13 - 52
93050-30098	8 - 46	A427-000010	3 - 10	C320-000032	8 - 52
93050-30098	9 - 46	A427-000011	3 - 10	C320-000032	9 - 52
A021-000211	10 -	A427-000012	3 - 10	C320-000033	13 - 52
A021-000211	2 - 8	A427-000012	4 - 10	C320-000033	9 - 52
A021-000970	11 -	A440-000210	6 - 1	C328-000020	12 - 49
A021-000970	2 - 8	A440-000211	7 - 1	C328-000020	13 - 49
A021-000972	11 -	A500-000181	3 - 21	C328-000020	8 - 49
A021-000972	2 - 8	A500-000181	4 - 21	C328-000020	9 - 49
A021-000973	11 -	A506-000030	3 - 16	C334-000040	12 - 53
A021-000973	2 - 8	A506-000030	4 - 16	C334-000040	8 - 53
A051-000630	3 - 12	A507-000020	3 - 18	C334-000060	12 - 53
A051-000631	3 - 12	A507-000021	3 - 18	C334-000060	8 - 53
A051-000632	3 - 12	A507-000021	4 - 18	C334-000070	12 - 53
A051-000633	3 - 12	A514-000020	3 - 24	C334-000070	13 - 53
A051-000634	3 - 12	A514-000020	4 - 24	C334-000070	8 - 53
A051-000634	4 - 12	A551-000010	8 - 9	C334-000070	9 - 53
A051-000635	4 - 12	A551-000010	9 - 9	C345-000110	12 - 44
A056-000030	8 - 5	A552-000020	8 - 6	C345-000110	8 - 44
A056-000030	9 - 5	A552-000020	9 - 6	C345-000111	12 - 44
A127-000020	1 - 20	A556-000091	8 - 3	C345-000111	8 - 44
A127-000021	1 - 20	A556-000091	9 - 3	C345-000112	12 - 44
A172-000111	3 - 32	A556-000101	8 - 3	C345-000112	13 - 44

Index

Patrs Number	Key No.	Patrs Number	Key No.	Patrs Number	Key No.
C345-000112	8 - 44	P021-003435	1 - 16	V376-000540	8 - 54
C345-000112	9 - 44	P021-005580	5 - 8	V450-000070	12 - 48
C400-000050	6 - 7	P021-005581	5 - 8	V450-000070	13 - 48
C400-000050	7 - 7	P021-005590	5 - 5	V450-000070	8 - 48
C450-000010	6 - 9	P021-005591	5 - 5	V450-000070	9 - 48
C450-000010	7 - 9	P021-007980	12 - 51	V450-000080	6 - 13
C454-000050	6 - 10	P021-007980	8 - 51	V450-000080	7 - 13
C454-000051	6 - 10	P021-007981	12 - 51	V450-000340	6 - 6
C454-000051	7 - 10	P021-007981	8 - 51	V450-000340	7 - 6
C460-000000	6 - 12	P021-007982	12 - 51	V451-000150	8 - 8
C460-000001	6 - 12	P021-007982	13 - 51	V451-000150	9 - 8
C460-000002	6 - 12	P021-007982	8 - 51	V452-000010	6 - 11
C460-000002	7 - 12	P021-007982	9 - 51	V452-000010	7 - 11
P003-000010	11 - 39	P022-001320	3 - 14	V452-000030	3 - 25
P003-000370	10 - 18	P022-001320	4 - 14	V452-000030	4 - 25
P003-000380	10 - 23	P022-001330	3 - 15	V452-000110	12 - 40
P003-000380	11 - 23	P022-001330	4 - 15	V452-000110	13 - 40
P003-000390	10 - 15	P022-006220	3 - 20	V452-000110	8 - 40
P003-000400	10 - 36	P022-006220	4 - 20	V452-000110	9 - 40
P003-000400	11 - 36	V137-000000	5 - 22	V452-000150	3 - 17
P003-000410	10 - 34	V150-000420	6 - 15	V452-000150	4 - 17
P003-000410	11 - 34	V150-000420	7 - 15	V470-000320	5 - 17
P003-000420	10 - 38	V162-000150	3 - 30	V471-000310	5 - 25
P003-000420	11 - 38	V162-000150	4 - 30	V471-001230	5 - 16
P003-000430	10 - 37	V186-000020	5 - 26	V471-001250	5 - 24
P003-000430	11 - 37	V187-000010	5 - 15	V471-001260	5 - 25
P003-001300	11 - 18	V202-000000	6 - 16	V475-001900	3 - 27
P003-001470	11 - 38	V202-000000	7 - 16	V475-001900	4 - 27
P003-001480	11 - 37	V202-000011	1 - 28	V475-003550	3 - 33
P003-001510	11 - 37	V203-000021	8 - 17	V475-003550	4 - 33
P021-000063	8 - 15	V203-000021	9 - 17	V485-000140	3 - 7
P021-000063	9 - 15	V203-000100	3 - 22	V485-000140	4 - 7
P021-001891	1 - 1	V203-000100	4 - 22	V505-000000	1 - 11
P021-001892	1 - 1	V225-000030	1 - 27	V553-000010	1 - 9
P021-001900	1 - 3	V353-000060	12 - 38	V651-000001	8 - 19
P021-001920	1 - 8	V353-000060	13 - 38	V651-000001	9 - 19
P021-001930	2 - 1	V353-000060	8 - 38	V651-000011	8 - 18
P021-001950	8 - 7	V353-000060	9 - 38	V651-000011	9 - 18
P021-001950	9 - 7	V355-000270	8 - 20	V652-000010	1 - 12
P021-001961	6 - 3	V355-000270	9 - 20	V652-000010	5 - 3
P021-001962	6 - 3	V358-000020	1 - 15	X101-000010	8 - 28
P021-001963	6 - 3	V376-000450	12 - 47	X101-000010	9 - 28
P021-001963	7 - 3	V376-000450	12 - 54	X121-000000	8 - 28
P021-001980	5 - 1	V376-000450	12 - 54	X121-000001	8 - 28
P021-002010	8 - 30	V376-000450	13 - 54	X121-000002	8 - 28
P021-002010	9 - 30	V376-000450	8 - 54	X121-000002	9 - 28
P021-003432	1 - 16	V376-000450	8 - 54	X221-000000	8 - 29
P021-003433	1 - 16	V376-000450	9 - 54	X221-000000	9 - 29
P021-003434	1 - 16	V376-000540	12 - 54	X502-000020	8 - 32

Index

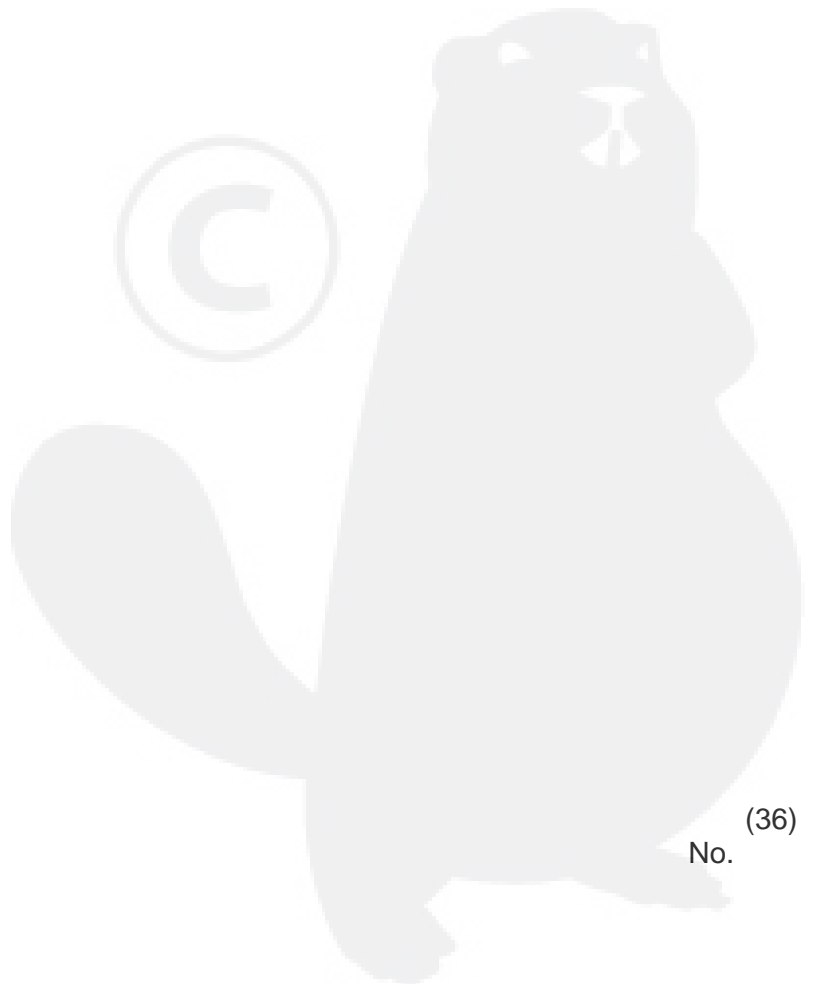
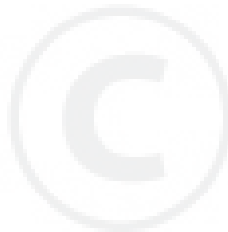
Patrs Number	Key No.	Patrs Number	Key No.	Patrs Number	Key No.
X502-000100	3 - 28				
X502-000130	3 - 28				
X502-000340	9 - 32				
X502-000410	4 - 28				
X503-004910	2 - 16				
X503-004911	2 - 16				
X503-006900	2 - 16				
X505-000370	8 - 34				
X505-000370	9 - 34				
X530-000210	4 - 34				



YAMABIKO CORPORATION

7-2 SUEHIROCHO 1-CHOME, OHME, TOKYO 198-8760, JAPAN
PHONE: 81-428-32-6118. FAX: 81-428-32-6145.

ECHO[®]



(36)
No.