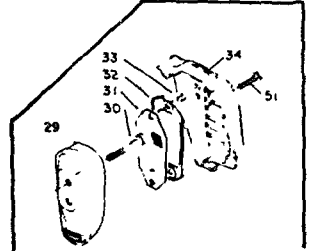
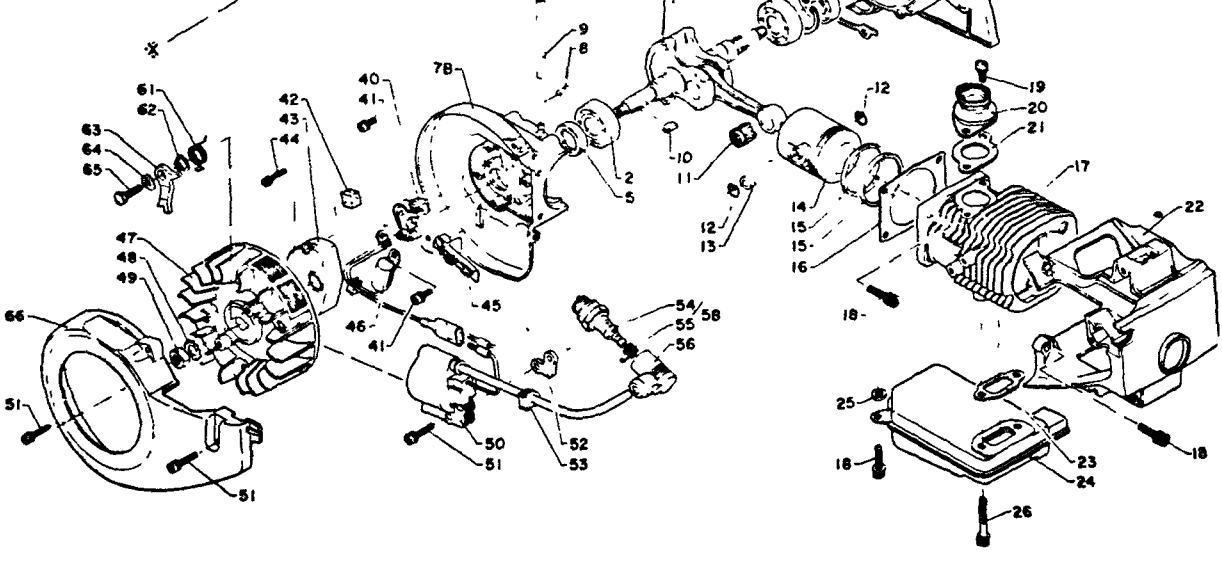
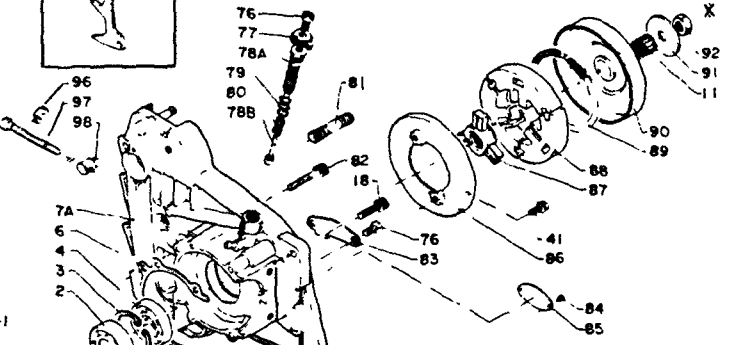
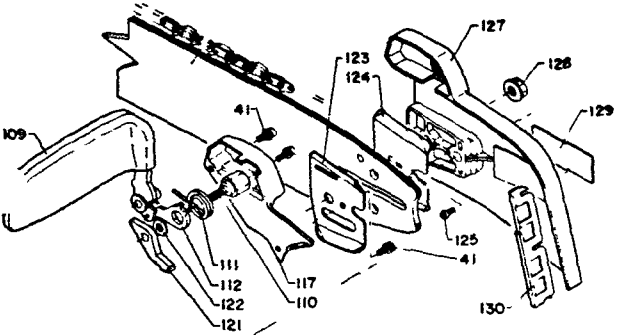
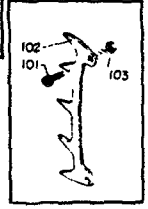
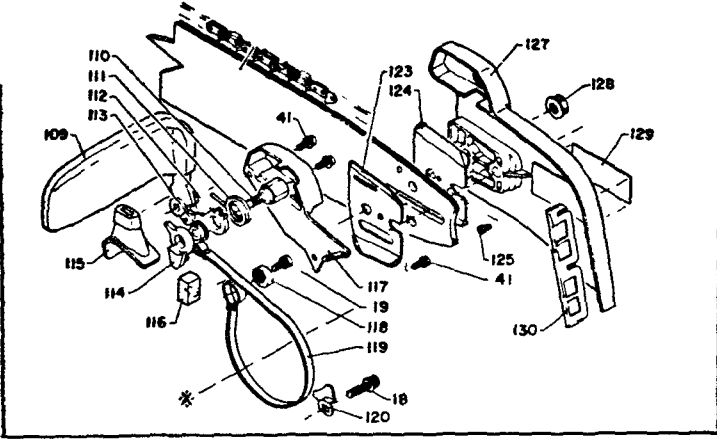
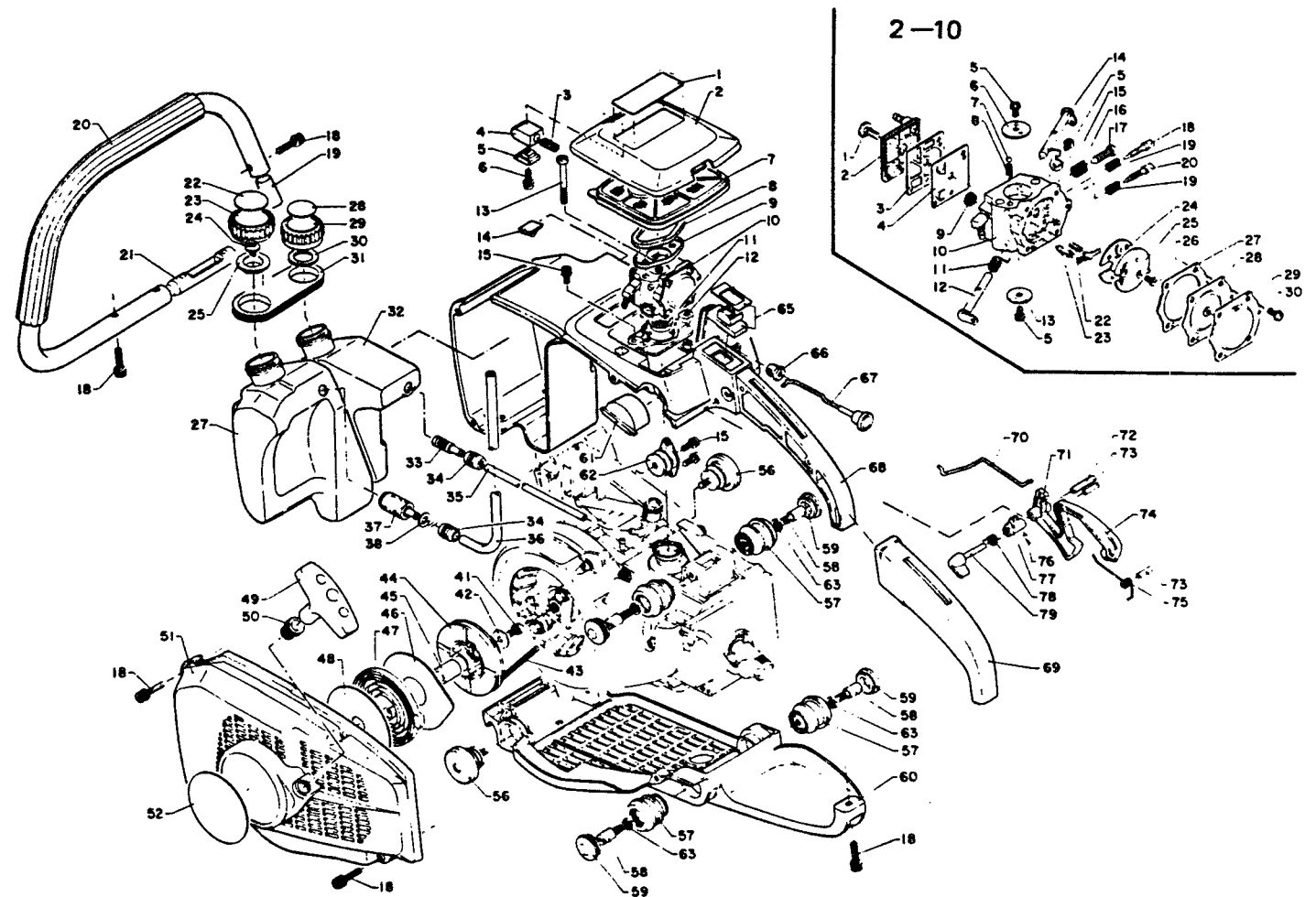




**CHAIN SAW
PARTS CATALOG
MODEL CS-500VL
CS-500VLP
SERIAL NUMBER 1001 - 49000**

**ECHO, INCORPORATED
400 OAKWOOD ROAD
LAKE ZURICH, IL 60047**





Key No.	Part No.	Q'ty	Description	Key No.	Part No.	Q'ty	Description
2 -	1	1	Decal, caution	2 -	27	1	Fuel tank
*	130 302-1233 0	1	Cover ass'y, air cleaner	28	890 153-0393 0	1	Decal, oil
2	-130 313-1233 0	1	Cover, air cleaner	***	436 001-1233 0	1	Cap ass'y, oil tank
3	-130 426-1233 0	1	Spring	29	-436 000-1233 0	1	Cap, oil tank
4	-130 425-1233 0	1	Key, air cleaner cover	30	-436 012-1233 0	1	Gasket, oil tank cap
5	-130 427-1233 0	1	Adapter, key	31	131 038-1233 0	1	Connector
6	-900 242-0401 4	1	Screw	32	436 010-1233 0	1	Chain oil tank
7	130 310-1233 0	1	Air filter	33	436 205-0283 2	1	Oil strainer
8	130 320-1233 0	1	Seal	34	132 115-1233 0	2	Grommet
9	130 420-1233 0	1	Plate	35	437 210-1233 0	1	Oil pipe
10	123 000-1233 0	1	Carburetor ass'y	36	132 010-1233 0	1	Fuel pipe
11	130 511-1233 0	1	Holder, intake adapter	37	131 205-0523 0	1	Fuel strainer
12	130 013-1233 0	1	Adapter, carburetor	38	900 600-0000 6	1	Washer 6
13	900 220-0504 2	2	Screw 5x42	****	177 200-1233 0	1	Recoil starter ass'y
14	351 137-1233 0	1	Stopper, cushion	41	-900 220-0501 0	1	Screw 5x10
15	900 242-0401 0	5	Screw 4x10 w/W, SW	42	-177 214-0283 0	1	Washer
18	900 162-0502 0	8	H.S.H. bolt 5x20 w/W, SW	43	-177 226-0283 0	1	Starter rope
19	351 611-1053 0	1	Insert, front handle	44	-177 206-1233 0	1	Recoil drum
20	351 606-1233 0	1	Front handle	45	-177 216-1233 0	1	Bush
21	351 612-1233 0	1	Insert, front handle	46	-177 242-1233 0	1	Side plate
22	890 154-0393 0	1	Decal, fuel mix	47	-177 220-0283 4	1	Rewind spring
**	131 004-0493 1	1	Cap ass'y fuel tank	48	-177 221-0283 0	1	Side plate
23	-131 017-0493 0	1	Cap, fuel tank	49	-177 228-1233 0	1	Starter handle
24	-131 314-0033 0	1	Check valve	50	-177 227-0023 0	1	Rope guide
25	-131 015-0493 1	1	Holder, check valve	51	-101 507-1233 0	1	Fan cover

Key No.	Part No.	Q'ty	Description	Key No.	Part No.	Q'ty	Description
2 - 52	890 112-1233 0	1	Decal, ECHO	2 - 10*	123 000-1233 0	1	Carburetor ass'y
56	100 905-1233 0	2	Cushion	1	-123 110-0393 0	1	Screw, pump cover
57	100 910-1233 0	4	Cushion	2	-123 124-1233 0	1	Cover, fuel pump
58	100 915-1233 0	4	Screw	3	-123 125-1233 0	1	Gasket, fuel pump
59	100 918-1233 0	4	Plug	4	-123 112-1233 0	1	Diaphragm, fuel pump
60	351 123-1233 0	1	Supporter	5	-123 114-0393 0	3	Screw throttle valve
61	351 138-1233 0	1	Cover, cushion	6	-123 132-1233 0	1	Valve, choke
62	100 921-1233 0	1	Cushion	7	-123 136-1063 0	1	Ball, choke friction
63	900 605-0000 5	4	Spring washer 5	8	-123 135-1063 0	1	Spring, choke friction
65	163 400-1233 0	1	Switch	9	-123 126-0393 0	1	Screen, inlet
66	178 810-1233 0	1	Grommet	11	-123 113 1233 0	1	Spring, throttle return
67	178 510-1233 0	1	Choke rod	12	-123 117-1233 0	1	Shaft ass'y, throttle
68	351 110-1233 0	1	Rear handle	13	-123 116 0393 0	1	Valve, throttle
69	351 111-1233 0	1	Grip, rear handle	14	-123 131-1233 0	1	Shaft ass'y, choke
70	178 011-1233 0	1	Throttle rod	15	-123 156-1233 0	1	Throttle stop
71	178 010-1233 0	1	Throttle trigger	16	-123 133 1113 0	1	Spring, idle screw
72	900 340 5002 5	1	Spring pin 5x25	17	-123 134-0653 0	1	Screw, idle adjustment
73	900 340-4001 3	2	Spring pin 4x13	18	-123 118-0393 0	1	Needle, idle
74	178 090-1233 0	1	Safety lock	19	-123 121 0393 0	2	Spring, needle
75	178 091-1053 1	1	Spring, safety lock	20	-123 120-1233 0	1	Needle, high speed
76	900 340-1601 0	1	Spring pin 1 6x10	22	-123 122-0393 0	1	Spring, metering lever
77	178 012-0393 0	1	Throttle lock	23	-123 137-0393 0	1	Valve, inlet needle
78	178 013-0393 0	1	Spring, throttle lock	24	-123 164-1233 0	1	Gasket, circuit plate
79	178 008-0343 0	1	Lock lever, throttle	25	-123 166 1233 0	1	Plate, circuit
				26	-123 167-1233 0	2	Screw, circuit plate
				27	-123 140-1063 0	1	Gasket, metering diaphragm
				28	-123 141-1233 0	1	Diaphragm, metering
				29	-123 142-1233 0	1	Cover, metering diaphragm
				30	-123 144-0393 0	4	Screw
				31	-Not Available	1	Body ass'y, carburetor

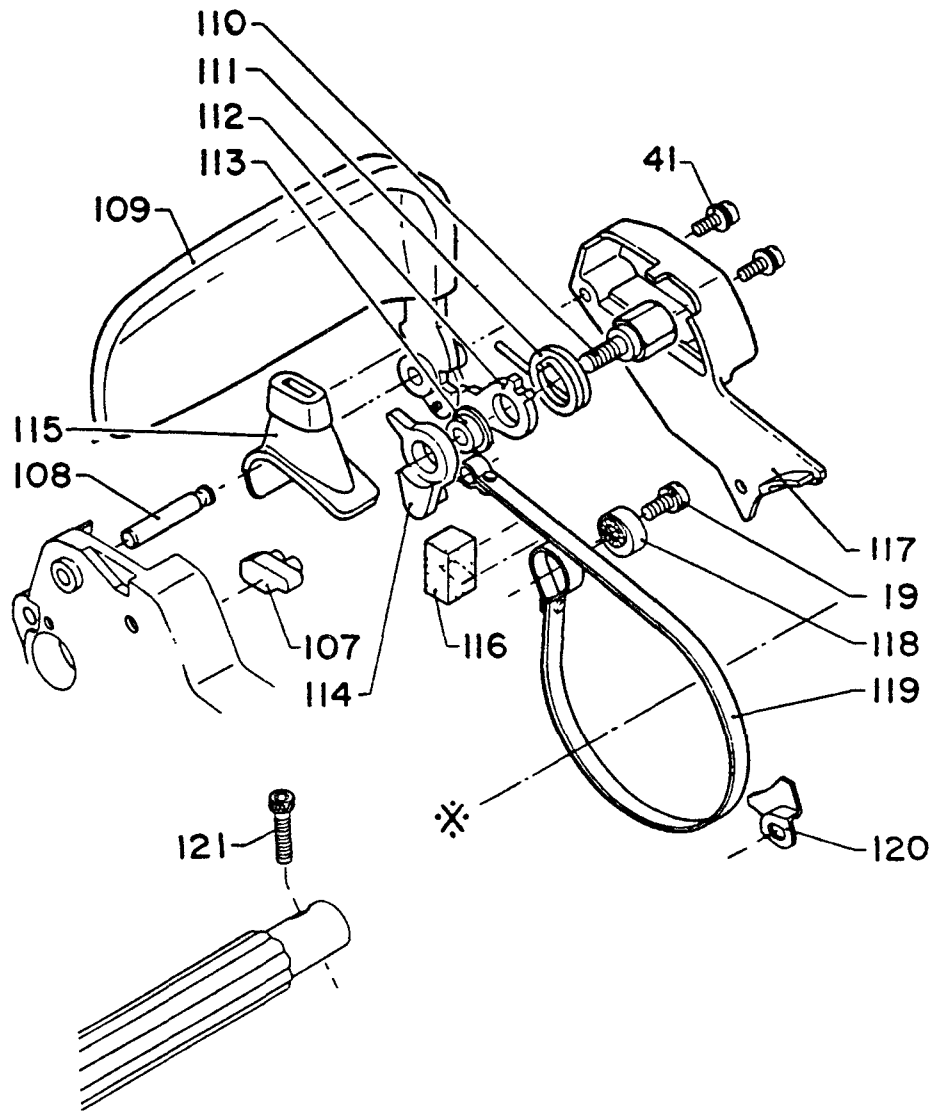
Remarks:

- * Consisting of 2 thru 6.
- ** Consisting of 23 thru 25.
- *** Consisting of 29 and 30.
- **** Consisting of 41 thru 51.

Remarks:

- 2-10* Consisting of 1 thru 31.
Except 10 and 21.

CS-500VLP (Chain brake type)



Key No.	Part No.	Q'ty	Description	Key No.	Part No.	Q'ty	Description
**	433 100-1233 1	1	Chain brake ass'y	113	-433 115-1233 0	1	Spacer
19	-900 241-0501 0	1	Screw 5x10	114	-433 117-1233 0	1	Connector
41	-900 242-0401 0	3	Screw 4x10	115	-433 312-1233 0	1	Brake band cover
		1		116	-433 313-1233 0	1	Dust seal
107	-433 149-1253 0	1	Reset tubber	117	-433 310-1233 0	1	Cover
108	-433 113-1233 0	1	Pivot bolt	118	-433 142-1233 0	1	Band adjuster
109	-433 105-1233 1	1	Brake handle	119	-433 123-1233 0	1	Brake band
110	-433 134-1233 0	1	Bolt	120	-433 144-1233 0	1	Band retainer
111	-433 114-1233 0	1	Spring	121	-900 162-0502 5	1	H.S.H. bolt 5x25
112	-433 119-1233 0	1	Stopper				