



PARTS CATALOGUE

ECHO CHAIN SAW CS-2800

ECHO POWER EQUIPMENT(CANADA)

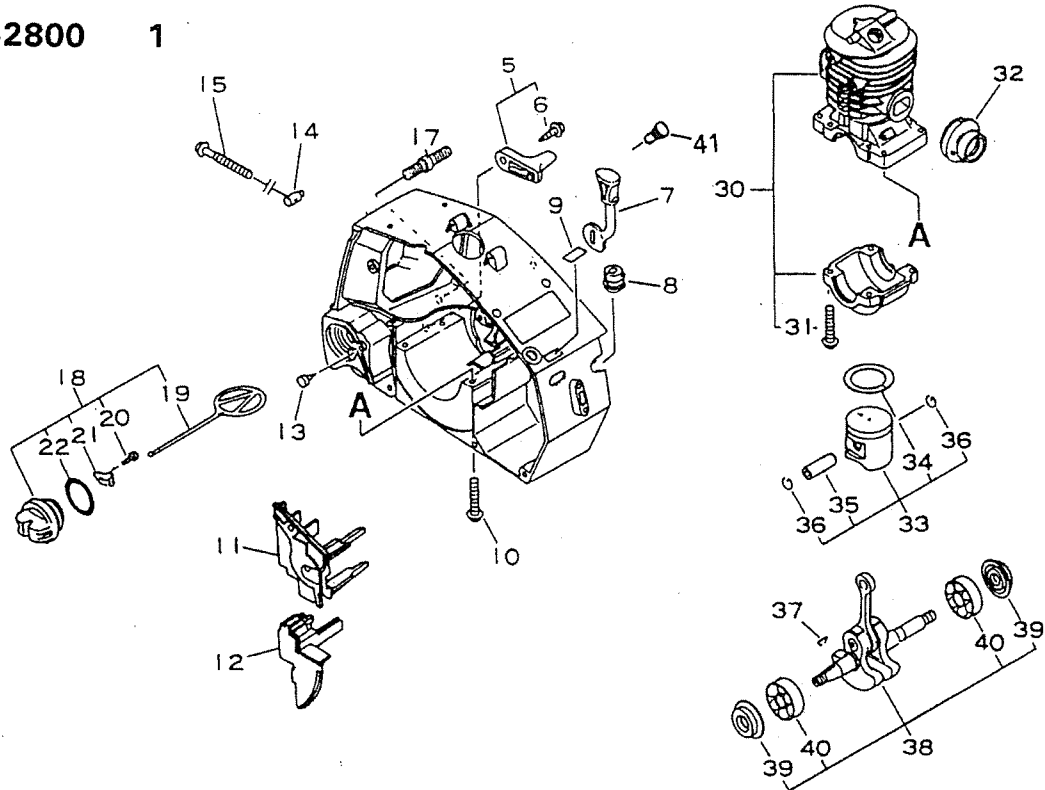
401 Consortium Court, London,
Ontario N6E 2S8

Printed in Japan 9206AqKW



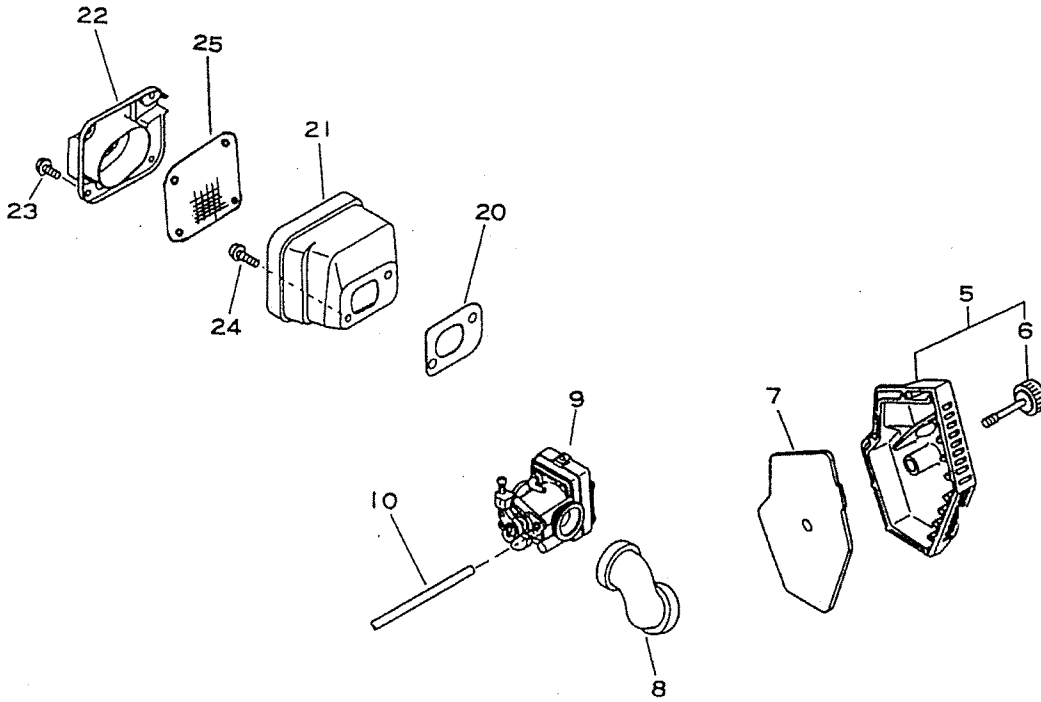
898 627-3583 0

CS-2800 1

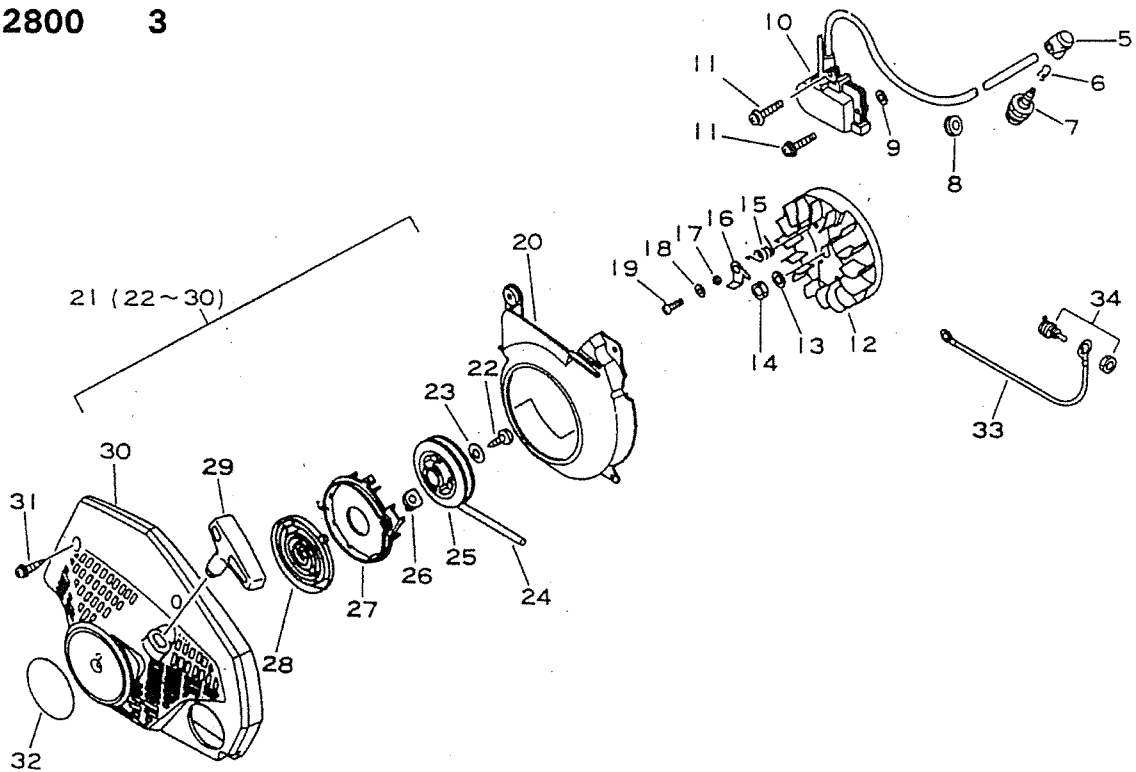


KEY	LV	PART NUMBER	Q'TY	DESCRIPTION	APPLICATION	REMARKS	INF. NR
5		433000-37930	1	CATCHER KIT, CHAIN			
6	+	900246-05020	1	SCREW 5#20			
7		178512-38730	1	ROD, CHOKE			
8		178810-35630	1	GROMMET, CHOKE			
9		890342-35830	1	LABEL, SWITCH			
10		900242-05030	4	SCREW 5#30			
11		104012-35630	1	COVER, DUST			
12		104016-35630	1	COVER, DUST			
13		436114-37830	1	VALVE, CHECK			
14		433014-03931	1	TENSIONER			
15		433016-35430	1	SCREW, TENSIONER			
17		433011-03931	2	STUD, GUIDE BAR			
18		436001-19832	1	CAP ASS'Y, OIL TANK			
19	+	131051-19830	1	CLIP, FUEL CAP			
20	+	900246-03008	1	SCREW 3# 8			
21	+	131050-19830	1	RETAINER, LINK			
22	+	900725-02025	1	O-RING 2025			
30		100202-35630	1	CRANKCASE SET			
31	+	900242-05020	4	SCREW 5#20			
32		130510-35630	1	ADAPTER, INTAKE			
33		100000-35730	1	PISTON KIT			
34	+	100011-16131	1	RING, PISTON			
35	+	100013-35630	1	PIN, PISTON			
36	+	100015-04630	2	CIRCLIP, PISTON PIN			
37	+	100142-42030	1	KEY, WOODRUFF			
38		100101-35731	1	CRANKSHAFT ASSY			
39	+	100212-35630	2	OILSEAL			
40	+	900800-36001	2	BEARING, BALL 6001			
41		104034-38730	1	GROMMET			

CS-2800 2

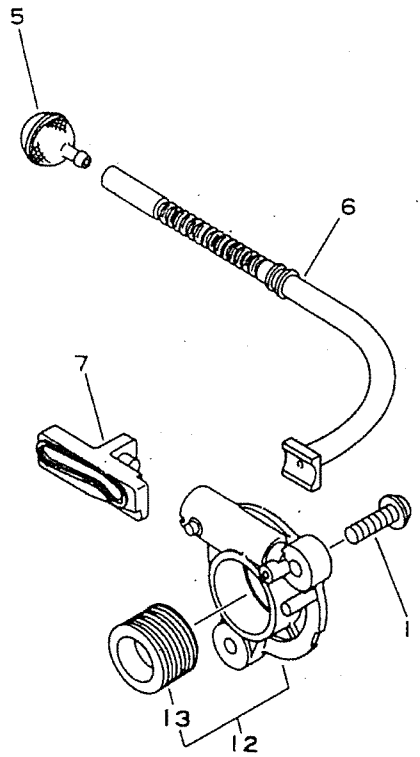


KEY	LV	PART NUMBER	Q'TY	DESCRIPTION	APPLICATION	REMARKS	INF. NR
5		130302-38730	1	COVER ASSY, AIR CLN.			
6	+	130411-35630	1	SCREW			
7		130310-35630	1	FILTER, AIR			
8		130518-35630	1	ADAPTER, INTAKE			
9		123000-35830	1	CARBURETOR WYP-4A			
10		132016-04320	1	PIPE 3*6*115			
20		145510-35631	1	GASKET, MUFFLER			
21		145810-36930	1	MUFFLER			
22		145861-36930	1	LID, MUFFLER			
23		900238-04010	4	SCREW 4*10			
24		900242-05020	2	SCREW 5*20			
25		145862-36930	1	SCREEN, MUFFLER			

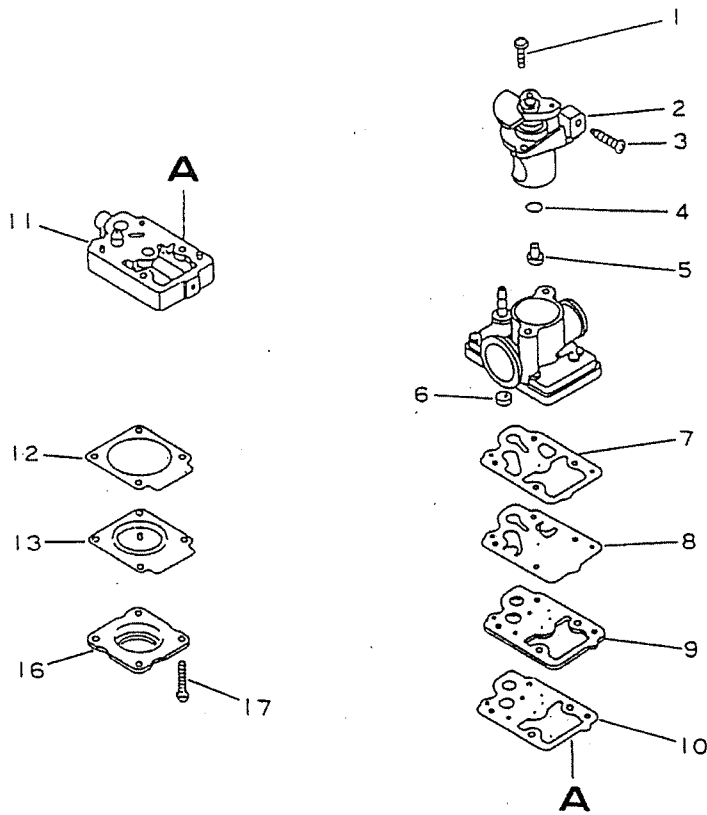


KEY	LV	PART NUMBER	Q'TY	DESCRIPTION	APPLICATION	REMARKS	INF. NR
		5	1	CAP, SPARK PLUG			
		6	1	COIL, SPARK PLUG CAP			
		7	1	PLUG, SPARK BEMR-7A			
		8	1	GROMMET			
		9	2	SPACER			
		10	1	COIL, IGNITION			
		11	2	SCREW 5#20			
		12	1	FLYWHEEL			
		13	1	WASHER 8			
		14	1	NUT 8			
		15	2	SPRING, RETURN			
		16	2	PAWL, STARTER			
		17	2	SPACER, RATCHET			
		18	2	WASHER 5			
		19	2	SCREW 5#12			
		20	1	COVER, FAN			
		21	1	STARTER ASSY			
		22	+	SCREW 5#14			
		23	+	WASHER			
		24	+	ROPE, STARTER			
		25	+	DRUM, STARTER			
		26	+	GUIDE, ROPE			
		27	+	PLATE, STARTER			
		28	+	SPRING, REWIND			
		29	+	GRIP, STARTER			
		30	+	CASE, STARTER			
		31	4	SCREW 5#20			
		32	1	LABEL, ECHO			
		33	1	LEAD			
		34	1	SWITCH, IGNITION			

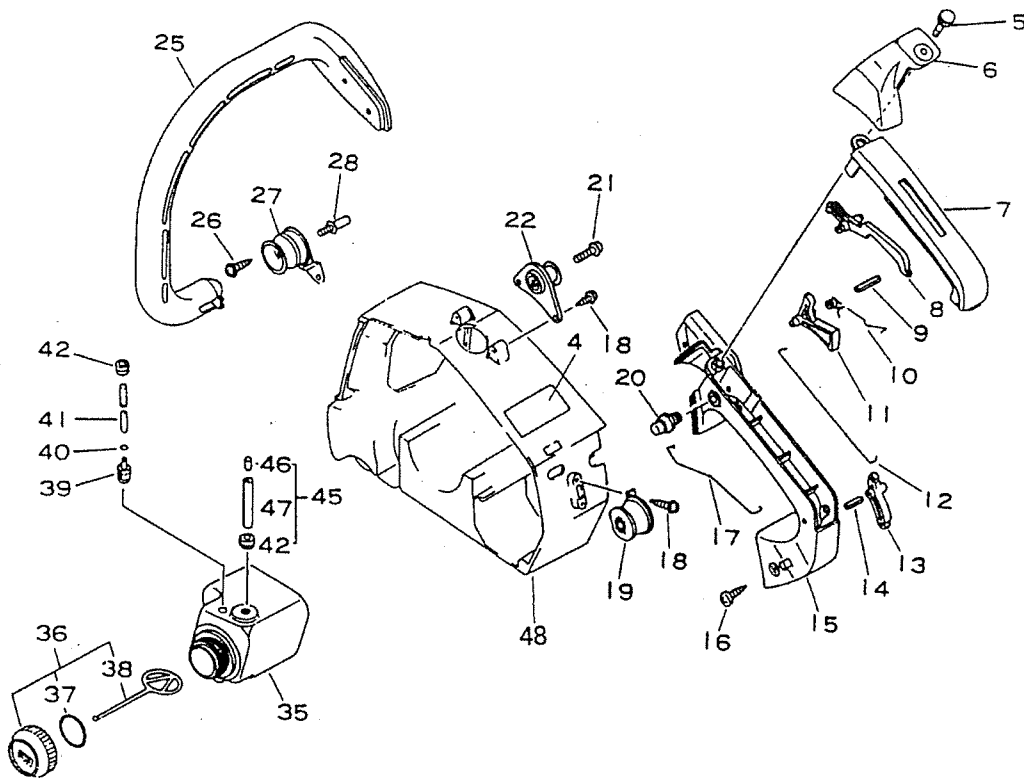
CS-2800 4



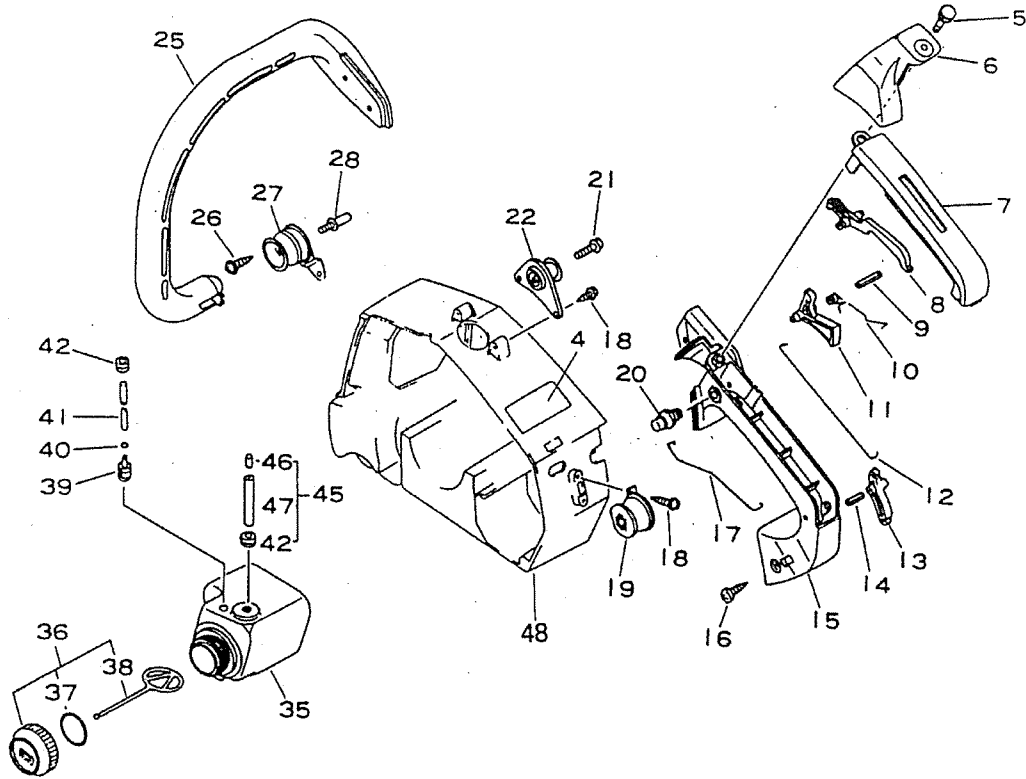
KEY LV	PART NUMBER	Q'TY	DESCRIPTION	APPLICATION	REMARKS	INF. NR
5	436205-14730	1	STRAINER, OIL			
6	437210-35630	1	PIPE, OIL	3*150		
7	437211-35630	1	PIPE, OIL			
11	900242-04014	2	SCREW 4*14			
12	437000-35830	1	AUTO-OILER ASSEMBLY			
13	+ 437063-35630	1	GEAR, WORM			



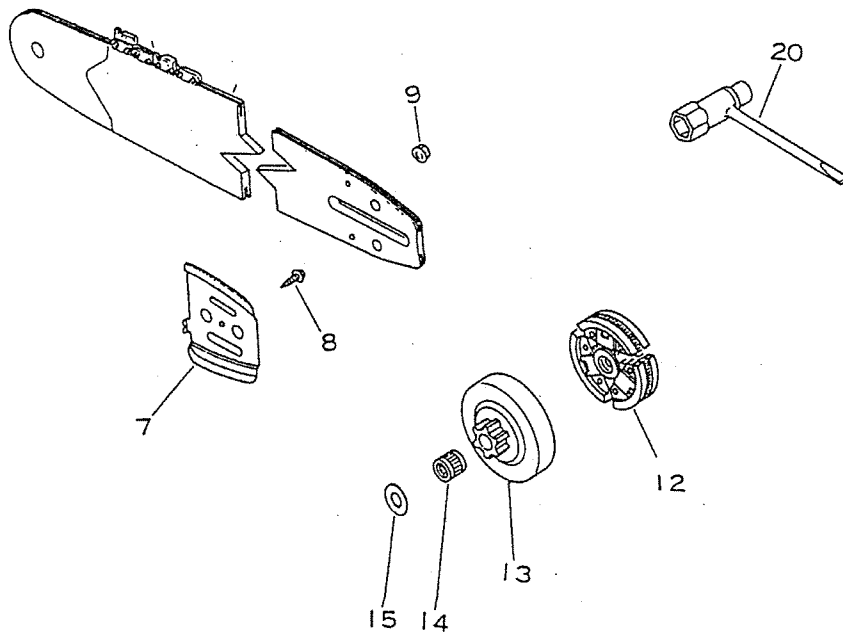
KEY LV	PART NUMBER	Q'TY	DESCRIPTION	APPLICATION	REMARKS	INF. NR
	123000-35830	1	CARBURETOR WYP-4A			
1 +	123114-44330	2	SCREW			
2 +	123116-35630	1	VALVE, THROTTLE			
3 +	123134-40030	1	SCREW, IDLE ADJUST			
4 +	123183-40630	1	O-RING			
5 +	123184-35630	1	JET #52			
6 +	123126-10631	1	SCREEN, INLET			
7 +	123125-35630	1	GASKET, FUEL PUMP			
8 +	123112-35630	1	DIAPHRAGM, FUEL PUMP			
9 +	123160-35630	1	PLATE, PUMP			
10 +	123159-35630	1	GASKET, PLATE			
11 +	123179-35830	1	BODY ASSEMBLY, PUMP			
12 +	123140-03930	1	GASKET, M. DIAPHRAGM			
13 +	123141-03930	1	DIAPHRAGM, METERING			
16 +	123142-03930	1	COVER, M. DIAPHRAGM			
17 +	123144-44330	4	SCREW			



KEY LV	PART NUMBER	Q'TY	DESCRIPTION	APPLICATION	REMARKS	INF. NR
4	890370-35830	1	LABEL, MODEL			
5	130411-13830	1	SCREW			
6	351129-35630	1	COVER, HANDLE			
7	351155-35631	1	COVER, HANDLE			
8	178090-37930	1	LOCKOUT, T. CONTROL			
9	900345-40025	1	PIN, SPRING 4#25			
10	178013-35631	1	SPRING, THR. LOCK			
11	178010-35831	1	CONTROL, THROTTLE			
12	178011-35631	1	ROD, THROTTLE			
13	178017-35631	1	ARM, TRIGGER			
14	900345-40022	1	PIN, SPRING 4#22			
15	351110-35631	1	HANDLE, REAR			
16	900242-05014	1	SCREW 5#14			
17	178046-35631	1	ROD, THROTTLE			
18	900246-04014	4	SCREW 4#14			
19	100905-35631	1	CUSHION			
20	178302-37930	1	LATCH, THROTTLE			
21	900238-05020	1	SCREW 5#20			
22	100921-35631	1	CUSHION			
25	351640-35630	1	HANDLE, FRONT			
26	900242-05020	1	SCREW 5#20			
27	100910-35630	1	CUSHION			
28	100915-33930	1	SCREW			
35	131010-38730	1	TANK, FUEL			
36	131004-37930	1	CAP ASSY, FUEL TANK			
37	+ 900720-00022	1	O-RING 22			
38	+ 131050-19830	1	RETAINER, LINK			

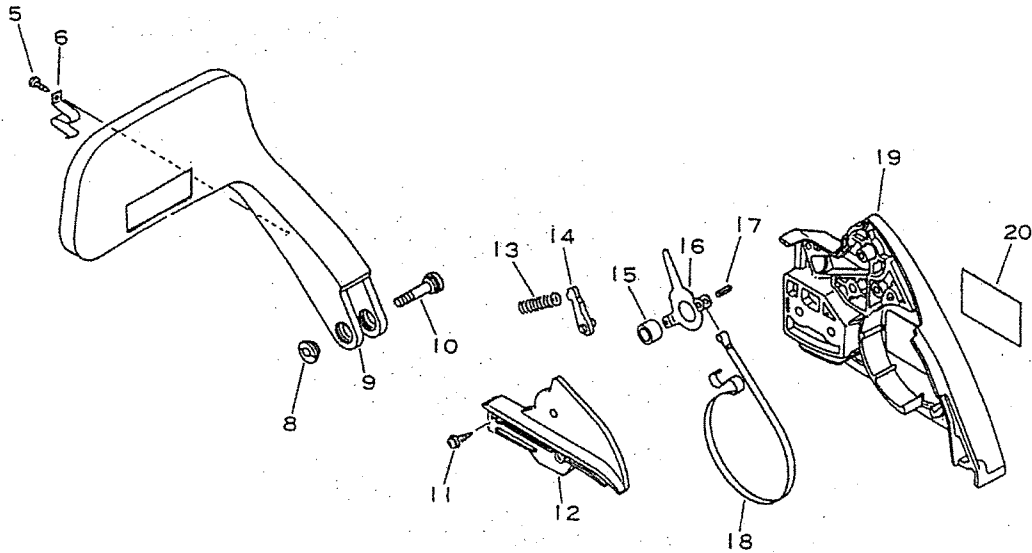


KEY LV	PART NUMBER	Q'TY	DESCRIPTION	APPLICATION	REMARKS	INF. NR
39	131205-14930	1	STRAINER, FUEL			
40	132013-26630	1	CLIP			
41	132007-35630	1	PIPE			
42	132115-01461	1	GROMMET			
45	131300-35630	1	VENT ASSEMBLY, FUEL			
42 +	132115-01461	1	GROMMET			
46 +	131314-35430	1	VALVE, CHECK			
47 +	132010-02961	1	PIPE			
48	104008-35830	1	COVER, ENGINE			



KEY	LV	PART NUMBER	Q'TY	DESCRIPTION	APPLICATION	REMARKS	INF. NR
7		433013-35630	1	PLATE, GUIDE (INNER)			
8		900246-04010	1	SCREW 4*10			
9		433019-03933	2	NUT, FLANGE 6			
10		890112-35630	1	LABEL, ECHO			
11		433005-35630	1	GUARD, SPROCKET			
12		175000-35630	1	CLUTCH ASSEMBLY			
13		175005-35630	1	DRUM, CLUTCH			
14		175012-35630	1	BEARING, NEEDLE			
15		175015-35630	1	PLATE, CLUTCH			
17		351826-35630	1	GUARD, HAND			
18		900246-05014	2	SCREW 5*14			
20		895410-03930	1	WRENCH, W/S-DRIVER			

CS-2800 8



KEY	LV	PART NUMBER	Q'TY	DESCRIPTION	APPLICATION	REMARKS	INF. NR
5		900246-04010	3	SCREW 4#10			
6		433114-35830	1	SPRING, RETURN			
8		433137-30130	1	NUT			
9		433105-36931	1	LEVER, BRAKE			
10		433113-30130	1	SCREW			
12		433310-38730	1	COVER			
13		433122-35430	1	SPRING, BRAKE			
14		433209-35430	1	STOPPER, BRAKE			
15		433116-35430	1	SPACER 8			
16		433208-35430	1	LEVER, BRAKE			
17		900345-40022	1	PIN, SPRING 4#22			
18		433123-35830	1	BAND, BRAKE			
19		433005-38730	1	GUARD, SPROCKET			
20		890118-35630	1	LABEL, MODEL			