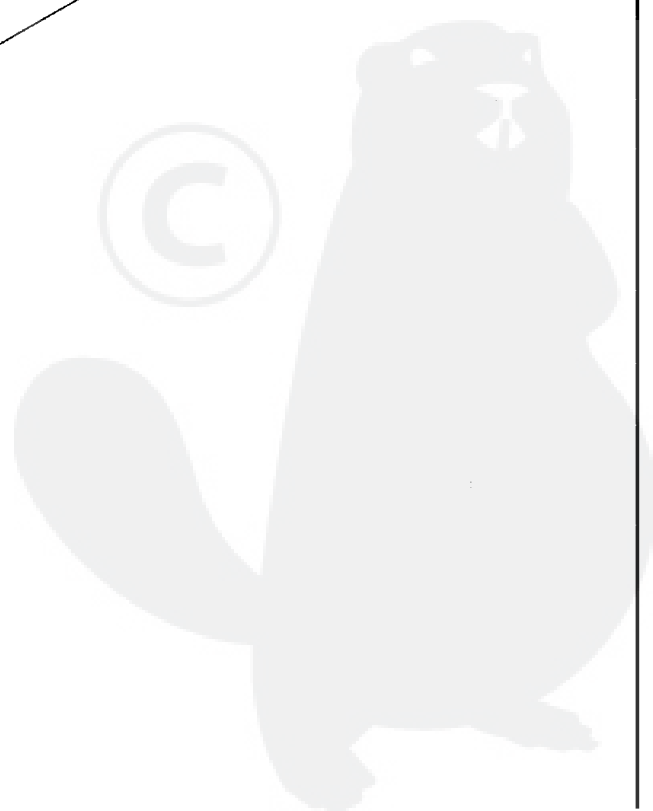
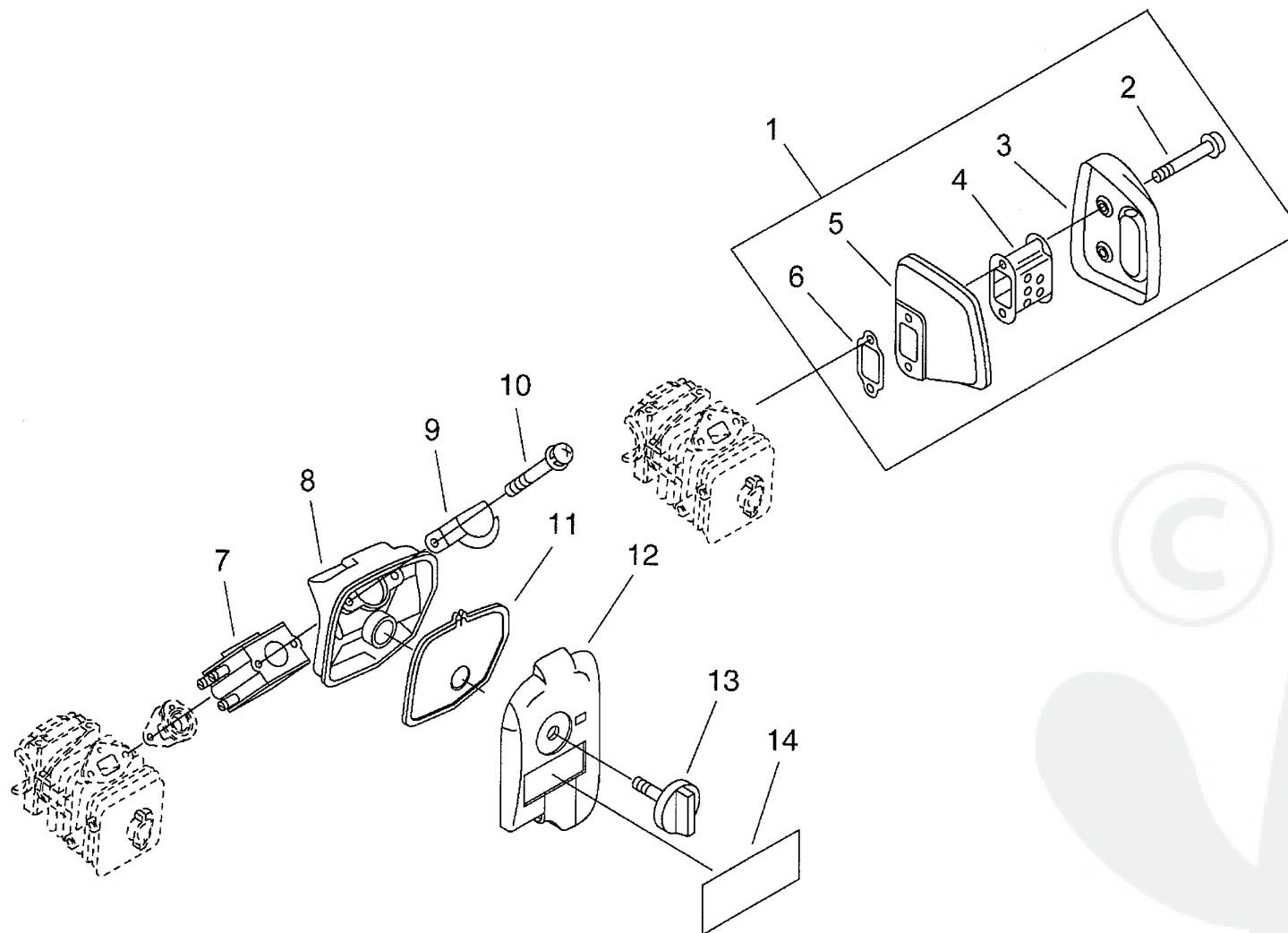


# Parts List

Group:Chain Saws Model:CS-260TES(36) Section:Cylinder, Crankcase, Piston( 1)

Key	Lv	Part Number	Q'ty	Description	Remarks	Note
1		P021-011230	1	CRANKCASE SET		
2	+	900162-05022	4	BOLT, H.S. 5*22		
3		P021-011220	1	CRANKSHAFT ASY		
4	+	V505-000000	2	SEAL, OIL		
5	+	900800-36001	2	BEARING, BALL 6001		
6	+	V553-000020	1	BEARING, NEEDLE 8		
7		P021-002150	1	PISTON KIT		
8	+	100014-55930	2	SPACER, PISTON PIN		
9	+	100015-04630	2	CIRCLIP, PISTON PIN		
10	+	100013-22330	1	PIN, PISTON		
11	+	100011-05731	1	RING, PISTON		
12		900162-04012	2	BOLT, H.S. 4*12		
13		V358-000020	1	COLLAR, 14		
14		A202-000001	1	BELLOWS, INTAKE		
15		A127-000021	1	COVER, DUST		
16		900253-04012	2	SCREW		
17		X505-000370	1	LABEL, CAUTION	Sus. by X505-002440	
18		163911-30130	1	PLUG		
19		900106-05016	2	BOLT, H.S. 5*16		
20		V225-000030	1	BOLT, STUD 8		
21		C305-000022	1	PLATE, SPROCKET GUARD		
22		V202-000011	2	BOLT, 4		
23		433026-35430	1	CATCHER, CHAIN		
24		900253-05020	1	SCREW 5*20		
25		P021-003435	1	COVER ENGINE	Sus. by P021-003436	
26	+	900724-00004	1	O-RING (S-4)		
27	+	436114-13930	1	VALVE, CHECK		
28	+	900106-05025	2	BOLT, H.S. 5*25		

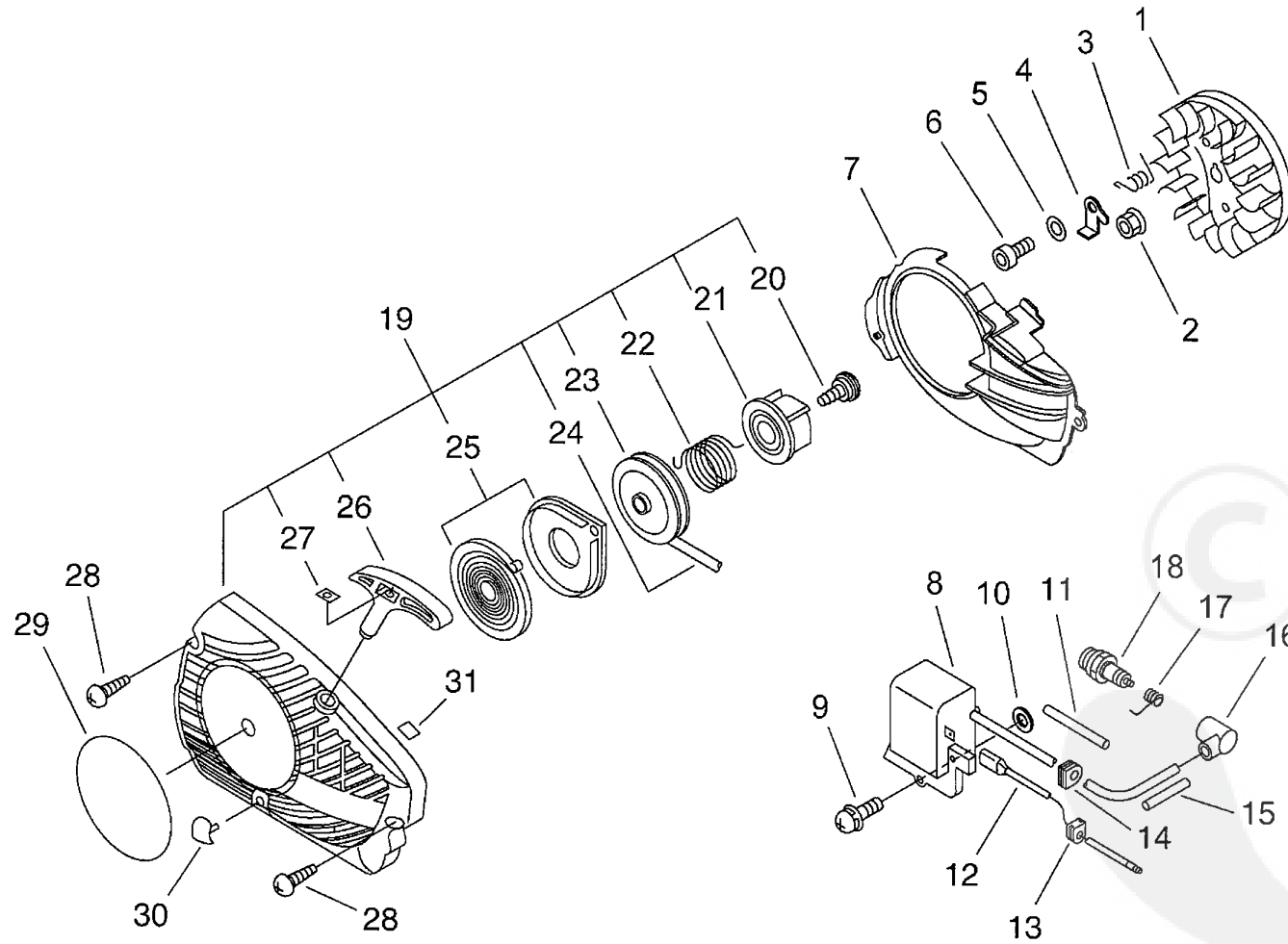


# P a r t s L i s t

Group:Chain Saws Model:CS-260TES(36) Section:Air Cleaner, Muffler( 2)

Key	Lv	Part Number	Q'ty	Description	Remarks	Note
1		P021-001930	1	MUFFLER ASY		
2	+	91107-05040	2	BOLT HSH FLANGE		
3	+	A303-000000	1	LID,MUFFLER		
4	+	A301-000000	1	PLATE,MUFFLER		
5	+	A300-000130	1	MUFFLER, EXHAUST		
6	+	145510-13931	1	GASKET, MUFFLER		
7		A021-001400	1	CARBURETOR, DIAPHRAGM		
8		A225-000023	1	CASE, CLEANER		
9		A244-000000	1	PLATE, PREVENT		
10		900238-05050	2	SCREW 5*50		
11		A226-000050	1	ELEMENT, AIR FILTER		
12		A232-000061	1	LID, CLEANER		
13		A235-000040	1	KNOB, CLEANER LID		
14		X503-007630	1	LABEL, MODEL		



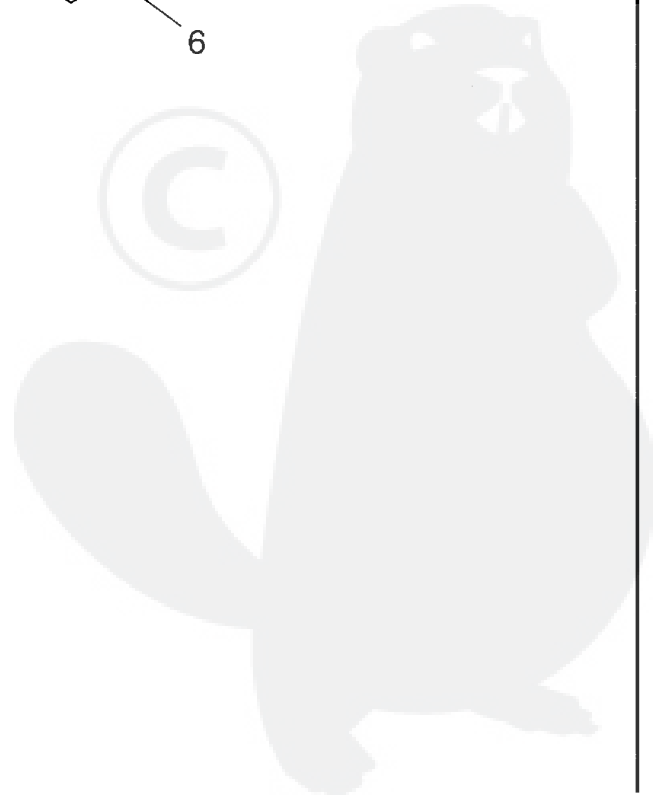
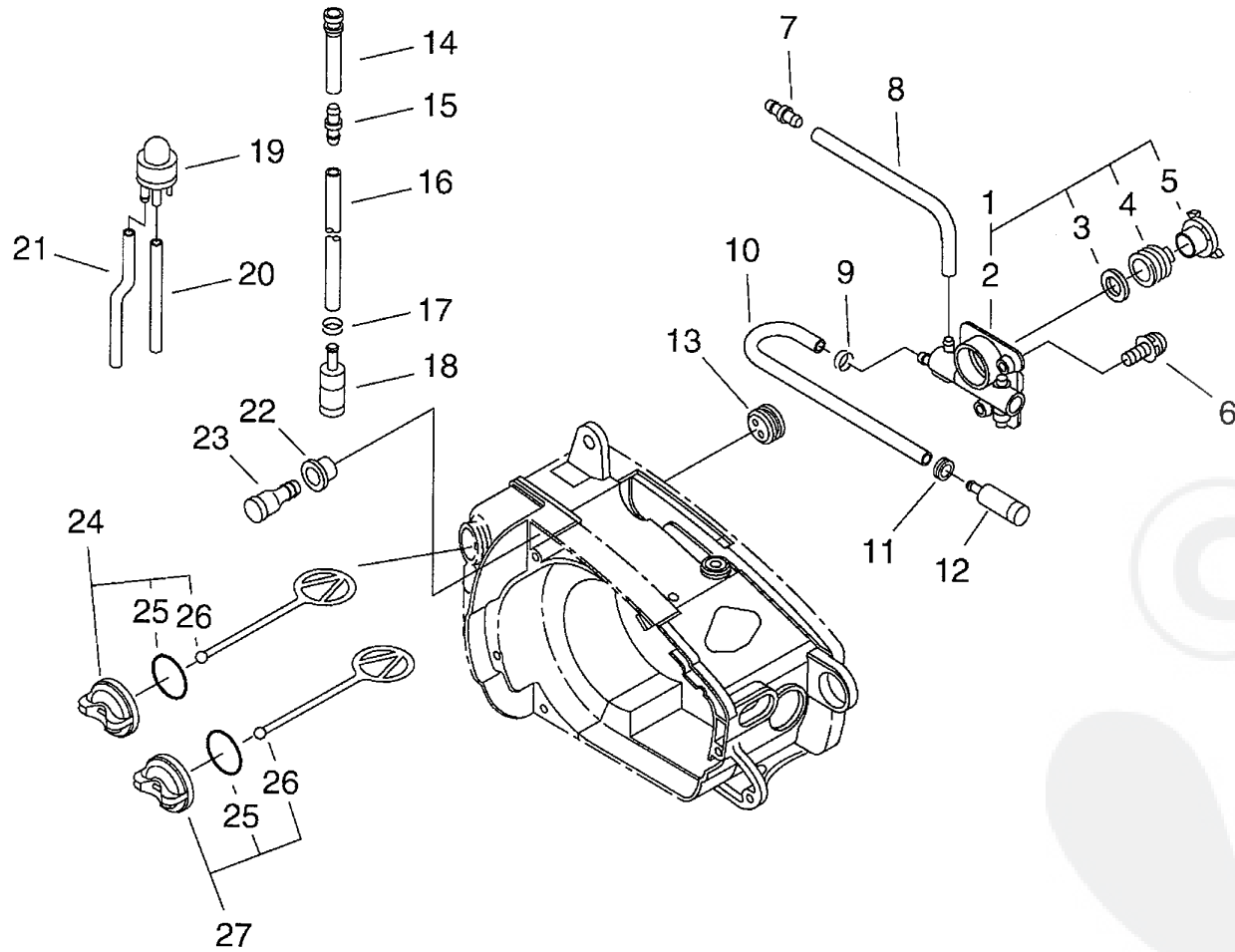


# P a r t s L i s t

Group:Chain Saws Model:CS-260TES(36) Section:Starter, Magneto( 3)

Key	Lv	Part Number	Q'ty	Description	Remarks	Note
1		A409-000040	1	ROTOR, MAGNETO		
2		900515-00008	1	NUT, FLANGE 8		
3		V452-000030	2	SPRING, TORSION		
4		A514-000020	2	PAWL		
5		900603-00005	2	WASHER 5		
6		V203-000100	2	BOLT, 5		
7		A172-000112	1	COVER, FAN		
8		A411-000340	1	COIL, IGNITION		
9		900238-05022	2	SCREW 5*22		
10		150117-16430	2	SPACER		
11		V475-001900	1	TUBE		
12		V485-000140	1	LEAD		
13		156114-07320	1	GROMMET		
14		156110-04920	1	BUSHING		
15		V475-003550	1	TUBE		
16		A427-000012	1	CAP, SPARK PLUG	Sus. by A427-000013	
17		A426-000010	1	TERMINAL, SPARKPLUG		
18		159010-10230	1	PLUG, SPARK (BPMR-7A		
19		A051-000634	1	STARTER, RECOIL	Sus. by A051-000635	
20	+	177236-61830	1	SCREW		
21	+	A507-000021	1	CATCHER, PAWL		
22	+	V452-000150	1	SPRING, TORSION		
23	+	A506-000030	1	REEL, ROPE		
24	+	P022-006220	1	ROPE		
25	+	P022-001330	1	SPRING KIT, REWIND		
26	+	P022-001320	1	GRIP, STARTER		
27	+	177246-11120	1	CLIP, STARTER ROPE		
28		900256-04016	3	SCREW 4*16		



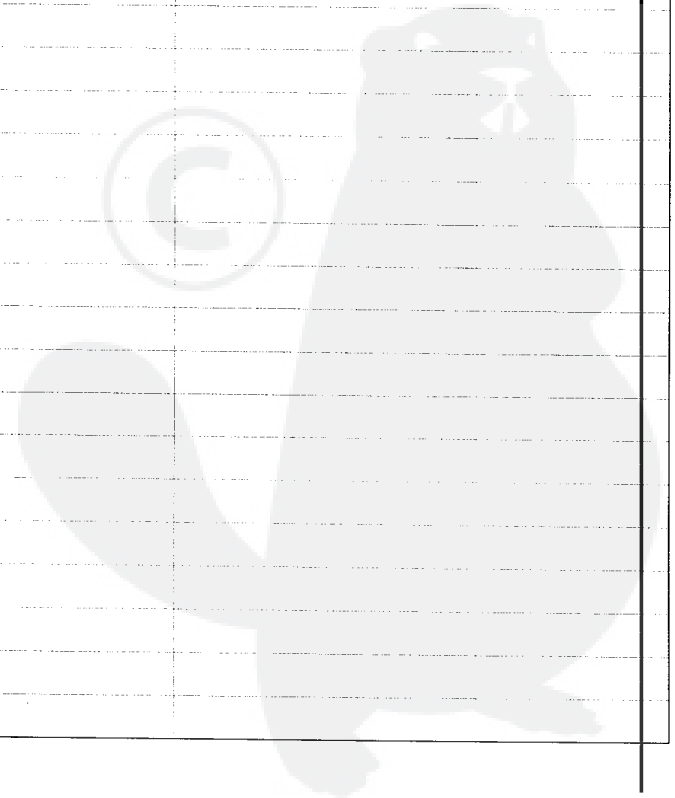




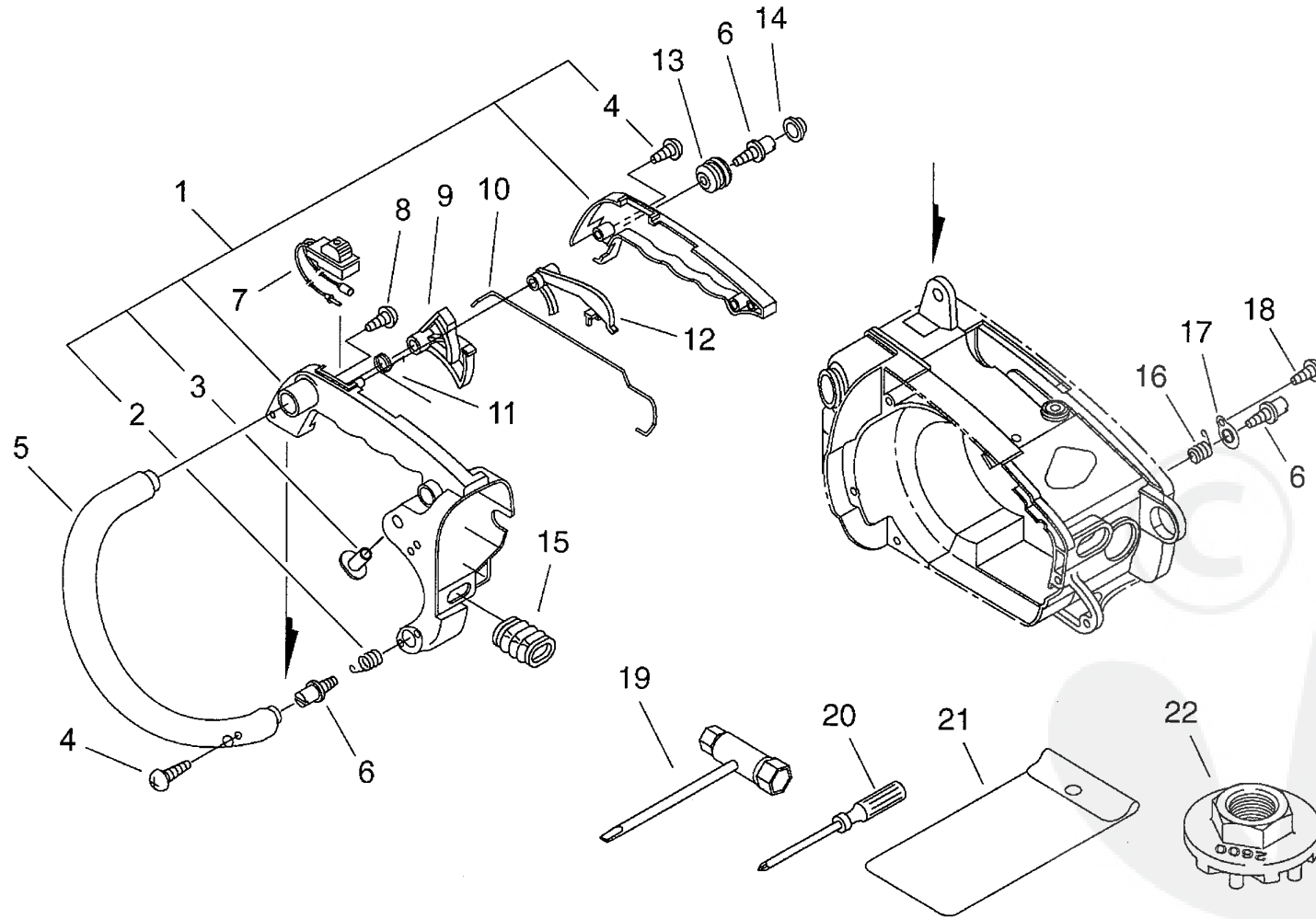
# P a r t s L i s t

Group:Chain Saws Model:CS-260TES(36) Section:Auto-Oiler( 4)

Key	Lv	Part Number	Q'ty	Description	Remarks	Note
1		P021-010890	1	AUTO-OILER ASY		
2	+	C022-000020	1	AUTO-OILER ASSEMBLY		
3	+	V308-000030	1	WASHER,CIRCULAR 11		
4	+	V652-000030	1	GEAR,WORM		
5	+	V356-000290	1	COLLAR,10		
6		900238-04012	2	SCREW 4*12		
7		V187-000010	1	NIPPLE		
8		132012-11960	1	PIPE 3* 6* 45		
9		132013-26630	1	CLIP		
10		132010-22130	1	PIPE, FUEL		
11		132115-01461	1	GROMMET		
12		436205-02832	1	STRAINER, OIL		
13		132115-44330	1	GROMMET		
14		V470-000320	1	PIPE		
15		V186-000020	1	JOINT,PIPE		
16		V471-001230	1	PIPE		
17		132013-09820	1	CLIP		
18		131205-14930	1	STRAINER,FUEL		
19		123181-39130	1	PUMP, PRIMER		
20		V471-001260	1	PIPE		
21		V471-001250	1	PIPE		
22		V137-000000	1	GROMMET,FUEL		
23		131300-56430	1	VALVE, CHECK		
24		P021-005591	1	FUEL CAP ASY		
25	+	900720-00018	1	O-RING 18		
26	+	A365-000050	1	CONNECTOR,CAP		
27		P021-005581	1	OIL CAP ASY		
25	+	900720-00018	1	O-RING 18		



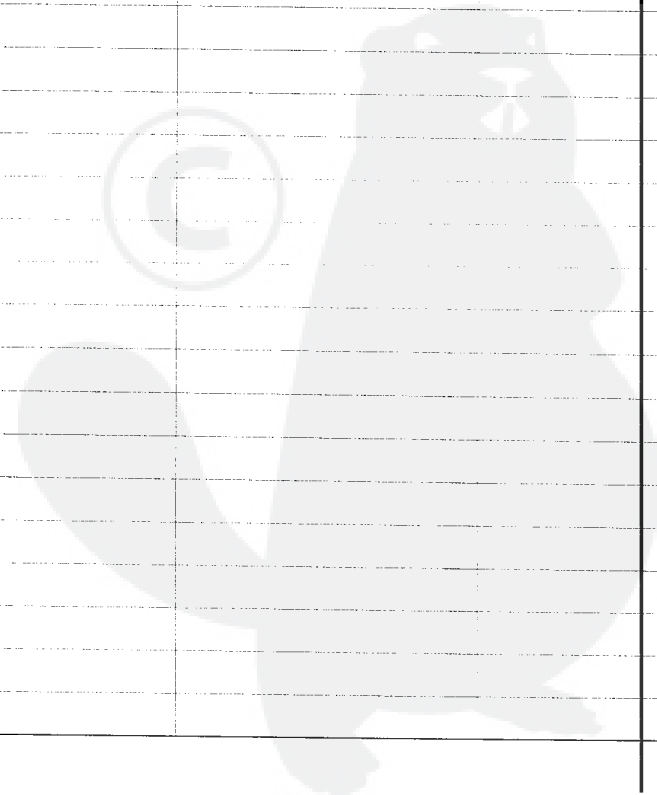


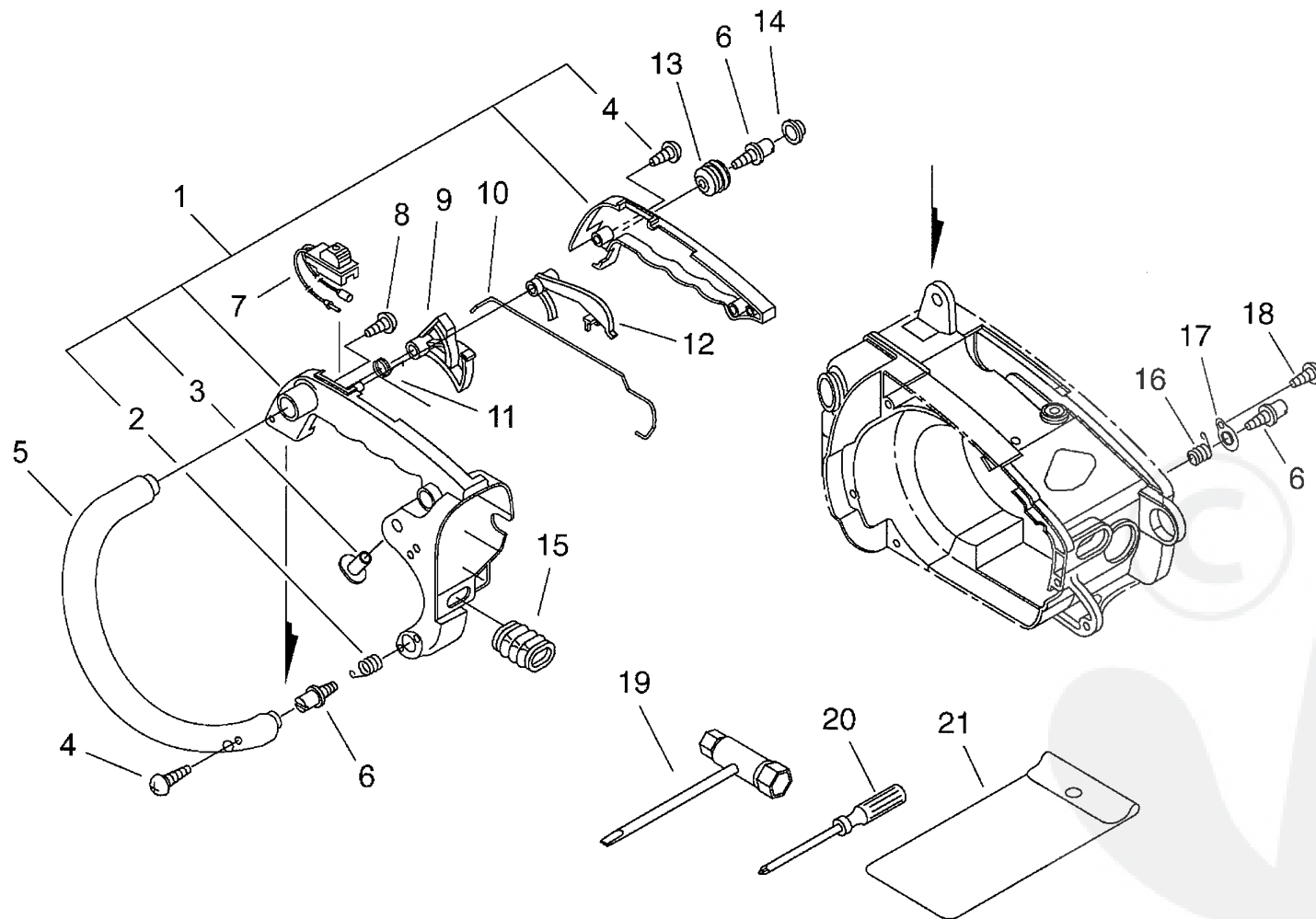


# P a r t s L i s t

Group:Chain Saws Model:CS-260TES(36) Section:Handle, Tools(Sr/Nr 36029110 and before) ( 5)

Key	Lv	Part Number	Q'ty	Description	Remarks	Note
1		P021-001963	1	HANDLE SET, REAR		
2	+	V450-000340	1	SPRING, COMPRESSION		
3	+	130020-33330	2	NUT		
4	+	900256-04016	4	SCREW 4*16		
4		900256-04016	2	SCREW 4*16		
5		C400-000050	1	HANDLE, FRONT		
6		V202-000000	3	BOLT, 4		
7		A440-000210	1	SWITCH, ON OFF	Sus. by A440-000211, Sr/Nr 36029110 and before	
8		900253-05020	1	SCREW 5*20		
9		C450-000010	1	TRIGGER, THROTTLE		
10		C454-000051	1	ROD, THROTTLE		
11		V452-000010	1	SPRING, TORSION		
12		C460-000002	1	LOCKOUT, THROTTLE		
13		100921-39130	1	CUSHION	Sus. by 100921-39130	
14		100918-15130	1	CAP		
15		A239-000000	1	PIPE, INTAKE		
16		V450-000080	1	SPRING, COMPRESSION		
17		V150-000420	1	PLATE, EYE		
18		900253-04012	1	SCREW		
19		895410-02830	1	WRENCH, W/S. DRIVER		
20		895812-03930	1	DRIVER, SCREW 50		
21		898510-39130	1	BAG, TOOL		
22		X640-000011	1	TOOL, PULLER		

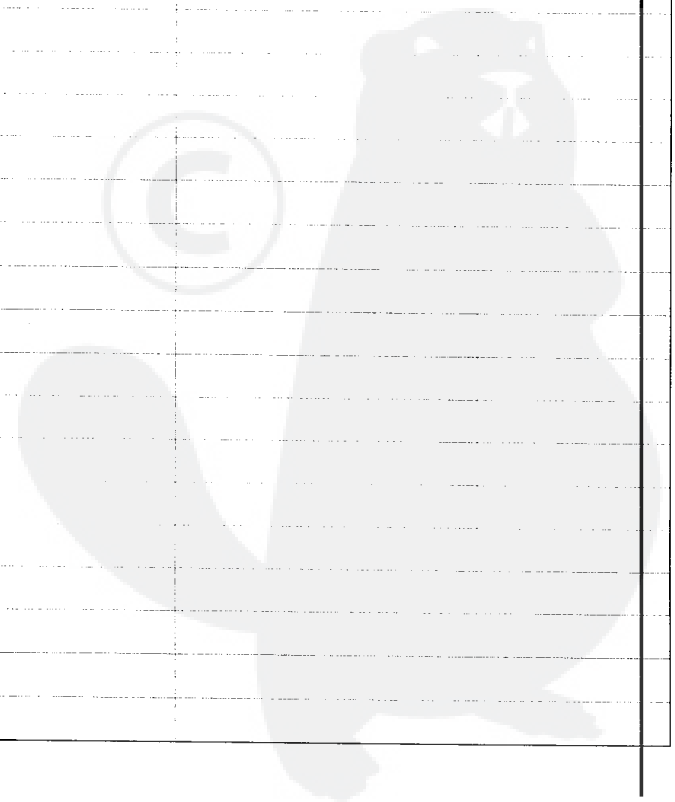


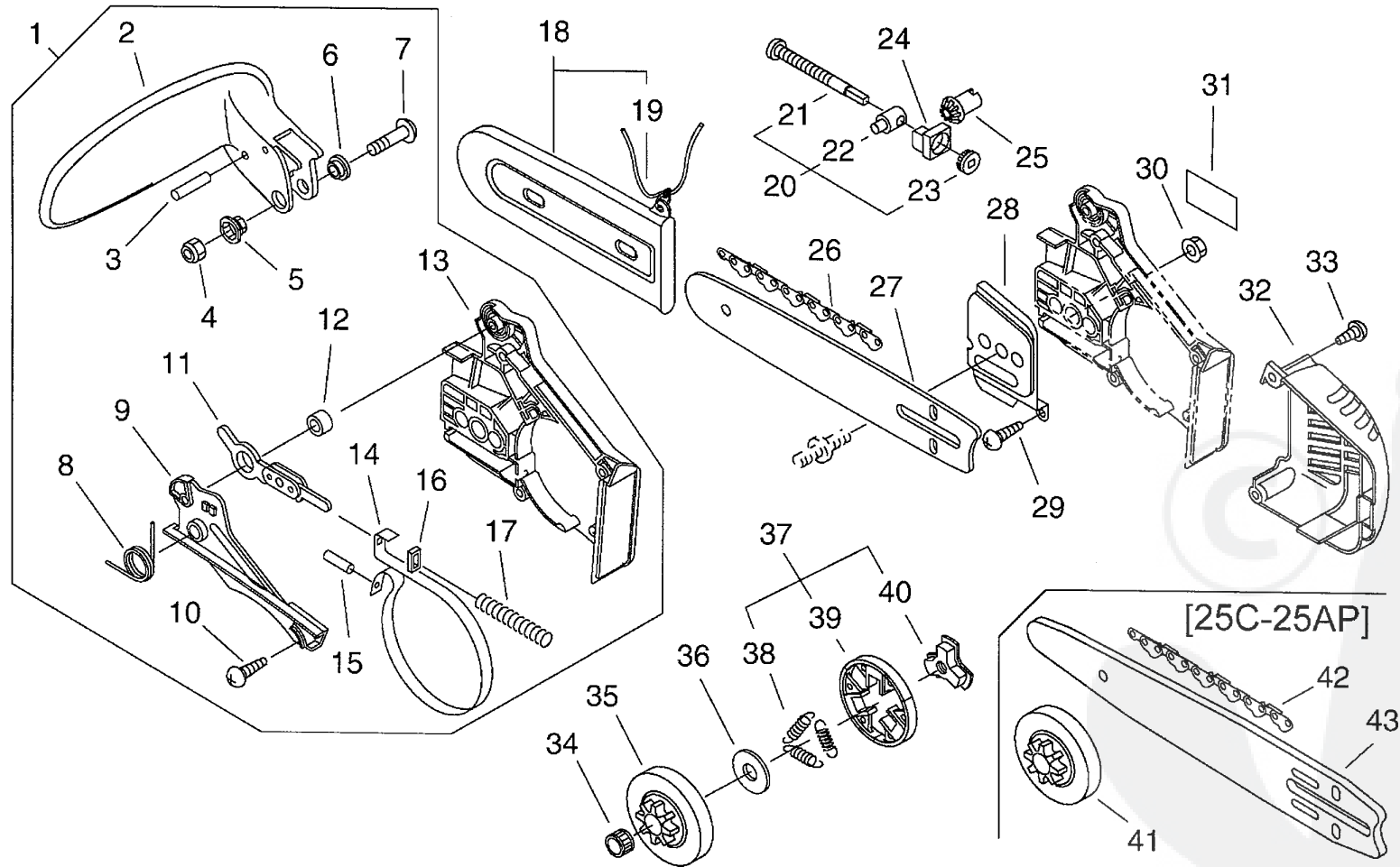


# P a r t s L i s t

Group:Chain Saws Model:CS-260TES(36) Section:Handle, Tools(Sr/Nr 36029111 and after) ( 6)

Key	Lv	Part Number	Q'ty	Description	Remarks	Note
1		P021-001963	1	HANDLE SET, REAR		
2	+	V450-000340	1	SPRING, COMPRESSION		
3	+	130020-33330	2	NUT		
4	+	900256-04016	4	SCREW 4*16		
4		900256-04016	2	SCREW 4*16		
5		C400-000050	1	HANDLE, FRONT		
6		V202-000000	3	BOLT, 4		
7		A440-000211	1	SWITCH, ON OFF	Sr/Nr 36029111 and after	
8		900253-05020	1	SCREW 5*20		
9		C450-000010	1	TRIGGER, THROTTLE		
10		C454-000051	1	ROD, THROTTLE		
11		V452-000010	1	SPRING, TORSION		
12		C460-000002	1	LOCKOUT, THROTTLE		
13		100921-39131	1	CUSHION		
14		100918-15130	1	CAP		
15		A239-000000	1	PIPE, INTAKE		
16		V450-000080	1	SPRING, COMPRESSION		
17		V150-000420	1	PLATE, EYE		
18		900253-04012	1	SCREW		
19		895410-02830	1	WRENCH, W/S. DRIVER		
20		895812-03930	1	DRIVER, SCREW 50		
21		898510-39130	1	BAG, TOOL		





# P a r t s L i s t

Group:Chain Saws Model:CS-260TES(36) Section:Clutch, Sprocket, Chain Brake Asy( 7)

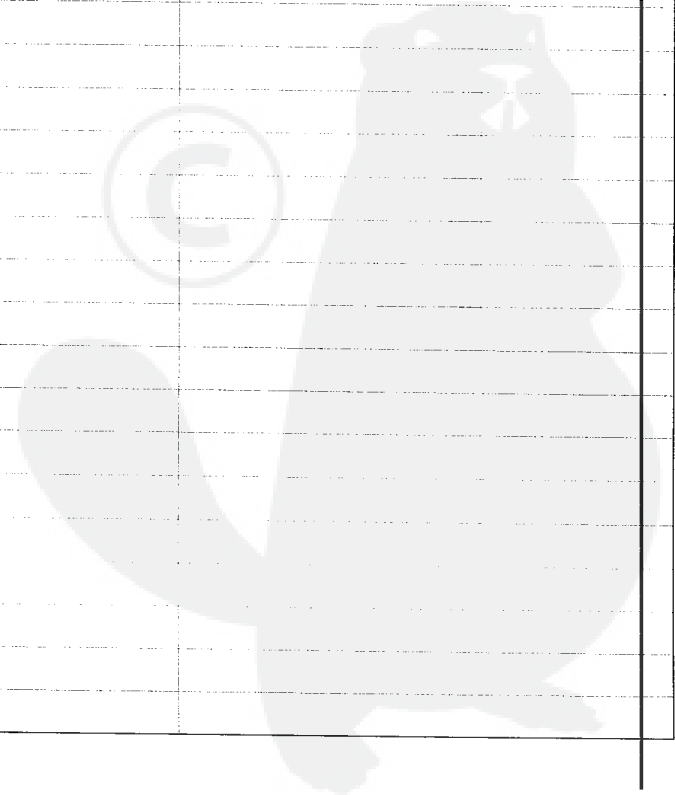
Key	Lv	Part Number	Q'ty	Description	Remarks	Note
1		C032-000165	1	BRAKE,ASM CHAIN	Sus. by C032-000166	
1		C032-000166	1	BRAKE,ASM CHAIN	Sus. by C032-000167	
2	+	C320-000032	1	LEVER,BRAKE	Sus. by C320-000033	
2	+	C320-000033	1	LEVER,BRAKE	Sus. by C320-000034	
3	+	900330-30260	2	ROLLER 3*26		
4	+	900562-50005	1	LOCKNUT 5		
5	+	V353-000060	1	COLLAR,5		
6	+	433167-39130	1	SPACER		
7	+	91318-05032	1	SCREW		
8	+	V452-000110	1	SPRING,TORSION		
9	+	C345-000112	1	COVER,BRAKE		
10	+	900253-04012	2	SCREW		
11	+	C334-000070	1	CONNECTOR, BRAKE		
12	+	433116-35430	1	SPACER 8		
13	+	C300-000170	1	GUARD, SPROCKET		
14	+	C328-000020	1	BAND, BRAKE		
15	+	93050-30098	1	ROLLER		
16	+	V376-000450	1	SPACER		
17	+	V450-000070	1	SPRING, COMPRESSION		
18		P021-002010	1	CHAIN SCABBARD		
19	+	898568-14530	1	ROPE		
20		P021-000063	1	TENSIONER,CHAIN ASY		
21	+	V203-000021	1	BOLT, 5		
22	+	C309-000030	1	TENSIONER, CHAIN		
23	+	V651-000011	1	GEAR, BEVEL		
24		V355-000270	1	COLLAR, 8		
25		V651-000001	1	GEAR, BEVEL		
26		X221-000000	1	CHAIN, SAW	91VG-40E	

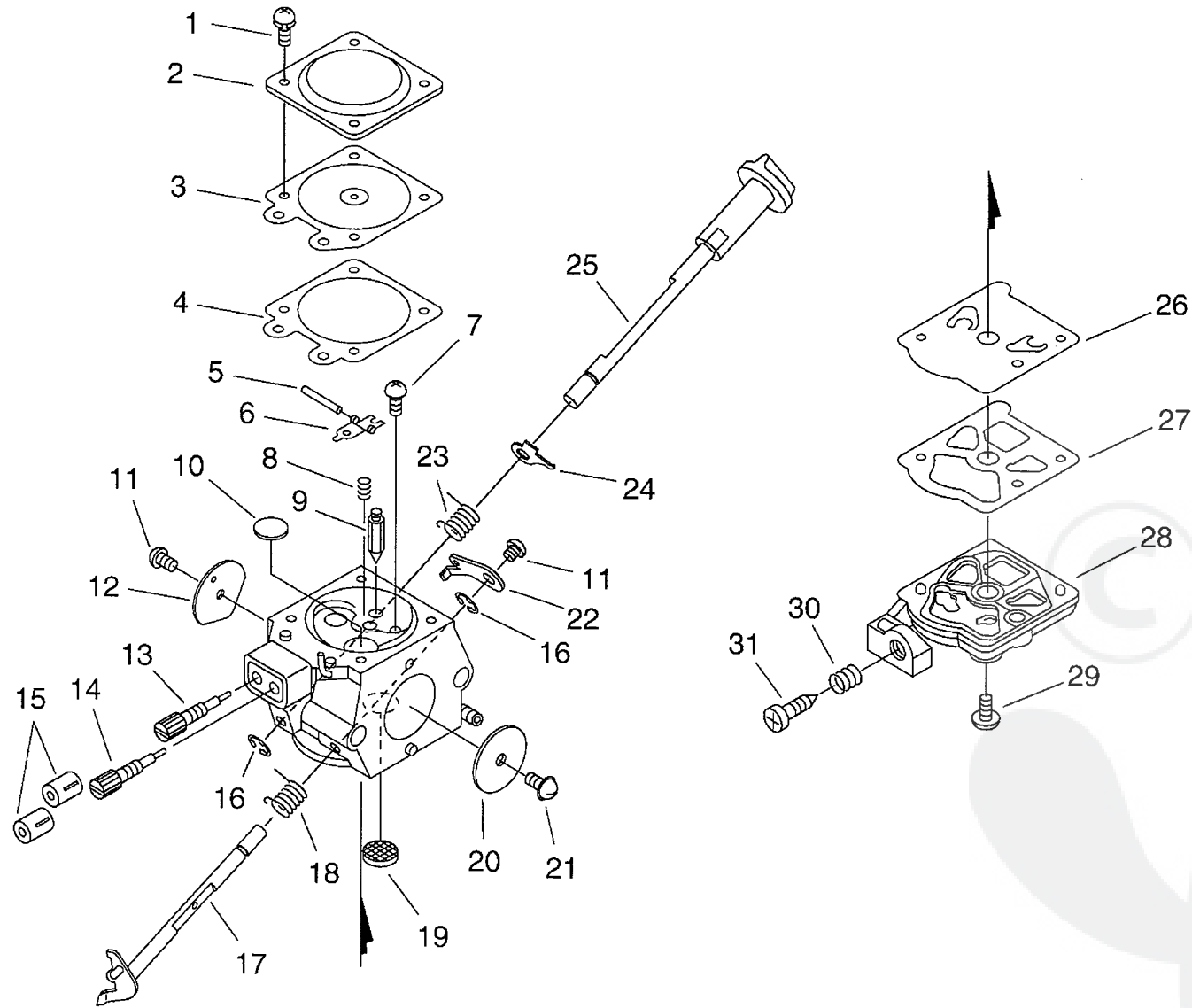


# P a r t s L i s t

Group:Chain Saws Model:CS-260TES(36) Section:Clutch, Sprocket, Chain Brake Asy( 7)

Key	Lv	Part Number	Q'ty	Description	Remarks	Note
27		X121-000002	1	BAR, GUIDE 25	25RC50S-3/8	
28		C305-000031	1	PLATE, SPROCKET GUARD		
29		900253-04010	1	SCREW 4*10		
30		433019-12330	1	NUT, FLANGE 8		
31		X502-000340	1	LABEL, ECHO		
32		A320-000021	1	COVER, MUFFLER	Sus. by A320-000022	
33		900253-04016	2	SCREW 4*16		
34		175012-35630	1	BEARING, NEEDLE		
35		A556-000091	1	DRUM, CLUTCH	3/8A	
36		A551-000010	1	PLATE, CLUTCH		
37		A056-000030	1	CLUTCH		
38	+	V451-000150	3	SPRING, TENSION		
39	+	P021-001950	1	CLUTCH SHOE SET		
40	+	A552-000020	1	HUB, CLUTCH		
41		A556-000101	1	DRUM, CLUTCH	1/4A	
42		431610-10030	1	CHAIN, SAW	25AP-60E	
43		X101-000010	1	BAR, GUIDE 25	25C50SL	





# Parts List

Date:19/10/2010 Page: 1

Group:Chain Saws Model:CS-260TES(36) Section:Carburetor( 8)

Key	Lv	Part Number	Q'ty	Description	Remarks	Note
		A021-001400	1	CARBURETOR,DIAPHRAGM		
1	+	123130-02960	4	SCREW		
2	+	123142-03930	1	COVER, M. DIAPHRAGM		
3	+	123141-03930	1	DIAPHRAGM, METERING		
4	+	123140-27230	1	GASKET,M. DIAPHRAGM		
5	+	123138-03930	1	PIN, METERING LEVER		
6	+	123123-03930	1	LEVER, METERING		
7	+	123139-03930	1	SCREW, M. LEVER PIN		
8	+	123122-03660	1	SPRING, METER. LEVER		
9	+	123137-19830	1	VALVE, INLET NEEDLE		
10	+	123146-10631	1	PLUG, WELCH		
11	+	123114-38830	2	SCREW		
12	+	123132-35430	1	VALVE, CHOKE		
13	+	123120-03661	1	NEEDLE, HIGH SPEED		
14	+	123118-02261	1	NEEDLE, IDLE		
15	+	P003-000010	2	LIMITER CAP		
16	+	123127-15030	2	RING		
17	+	P003-001300	1	SHAFT, THROTTLE		
18	+	123113-37530	1	SPRING, THROTTLE RTN		
19	+	123126-10631	1	SCREEN, INLET		
20	+	123116-05960	1	VALVE, THROTTLE		
21	+	123114-05260	1	SCREW		
22	+	P003-000380	1	THROTTLE, LEVER		
23	+	P003-001470	1	SPRING		
24	+	P003-001510	1	LEVER-FAST IDLE		
25	+	P003-000400	1	SHAFT-CHOKE(MOLD)		
26	+	123112-15030	1	DIAPHRAGM, FUEL PUMP		
27	+	123125-15030	1	GASKET, FUEL PUMP		

