

SRM-300ES

Serial number: 37000001-99999999

Last update date: 01/28/2020

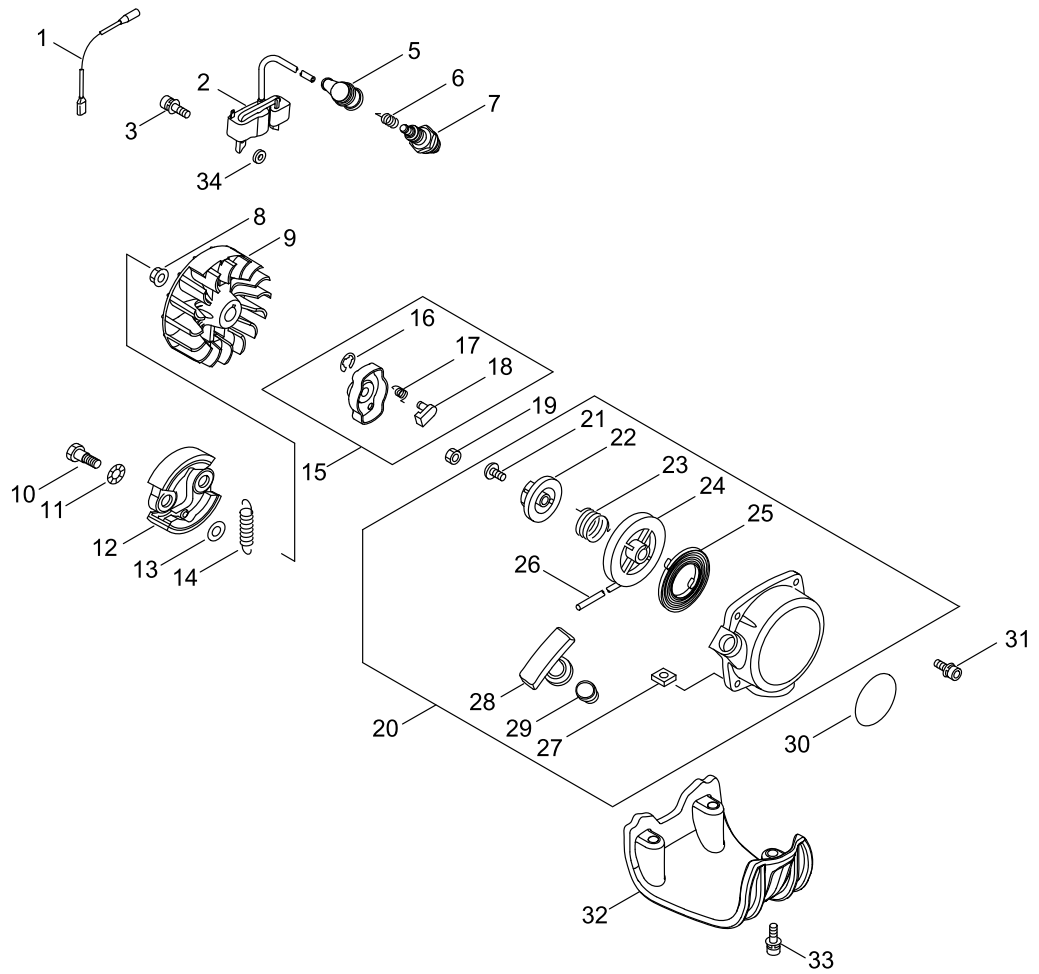
TABLE OF CONTENTS

Cylinder, Crankcase, Piston, Fan Cover.....	1
Starter, Magneto	3
Air Cleaner, Carburetor, Muffler	5
Fuel Tank.....	7
L-Handle.....	9
U-Handle	11
L-Gear Case	13
U-Gear Case.....	15
Blade Shield, Tools.....	17
Carburettor	19
NYLON LINE CUTTER.....	21

Cylinder, Crankcase, Piston, Fan Cover

Key No.	LV (+)	Part No	Description	Qty	Standard
1		V203-000290	BOLT,5	1	
2		A162-000110	GUARD, TOP	1	
3		A160-000800	COVER, CYLINDER	1	
4		X547-000940	LABEL, ECHO	1	SRM-300ES
5		91121-05010	BOLT, FLANGE	2	10.9 SILVER
6		A130-000800	CYLINDER	1	
7		91128-05025	BOLT HSH	4	
8		V100-000201	GASKET, CYL	1	
9		P021-010730	PISTON KIT	1	
10	+	A101-000170	RING, PISTON	1	34*1.5*1.5
11	+	100015-03931	CIRCLIP, PISTON PIN	2	
12	+	100013-35430	PIN, PISTON	1	6*9*27.8
13	+	V306-000200	WASHER, CIRCULAR 8	2	9.2*14*T0.5
14	+	100012-16131	BEARING, NEEDLE	1	
15		A011-000470	CRANKSHAFT, ASY	1	SCM415HK
16		P021-010741	CRANKCASE KIT	1	
17	+	100212-03930	OILSEAL	1	ISCX12*32*5.5
18	+	91128-05028	BOLT HSH	4	
19	+	900702-00032	CIRCLIP 32	1	CR-32
20	+	V102-000030	GASKET, CRANKCASE	1	T:0.5
21	+	94035-36201	BEARING BALL	2	6201X3JR2C3
22	+	V505-000020	SEAL, OIL 12	1	12*22*7
23		P021-014330	COVER ASY, FAN	1	
24	+	900701-00012	CIRCLIP 12	1	CS-12
25	+	900106-05020	BOLT, H.S. 5*20	4	5*20
26	+	900807-06001	BEARING, BALL 6001	2	6001V(LB)
27	+	900702-00028	CIRCLIP 28	1	CR-28
28	+	A556-000430	DRUM, CLUTCH	1	
29	+	100215-03930	PIN, DOWEL	2	
30		P021-013900	FIXTURE, MAIN PIPE	1	
31	+	V420-001400	CUSHION	1	
32		900106-05025	BOLT, H.S. 5*25	2	5*25
33		100142-12330	KEY, WOODRUFF	1	
34		X524-001901	LABEL	1	

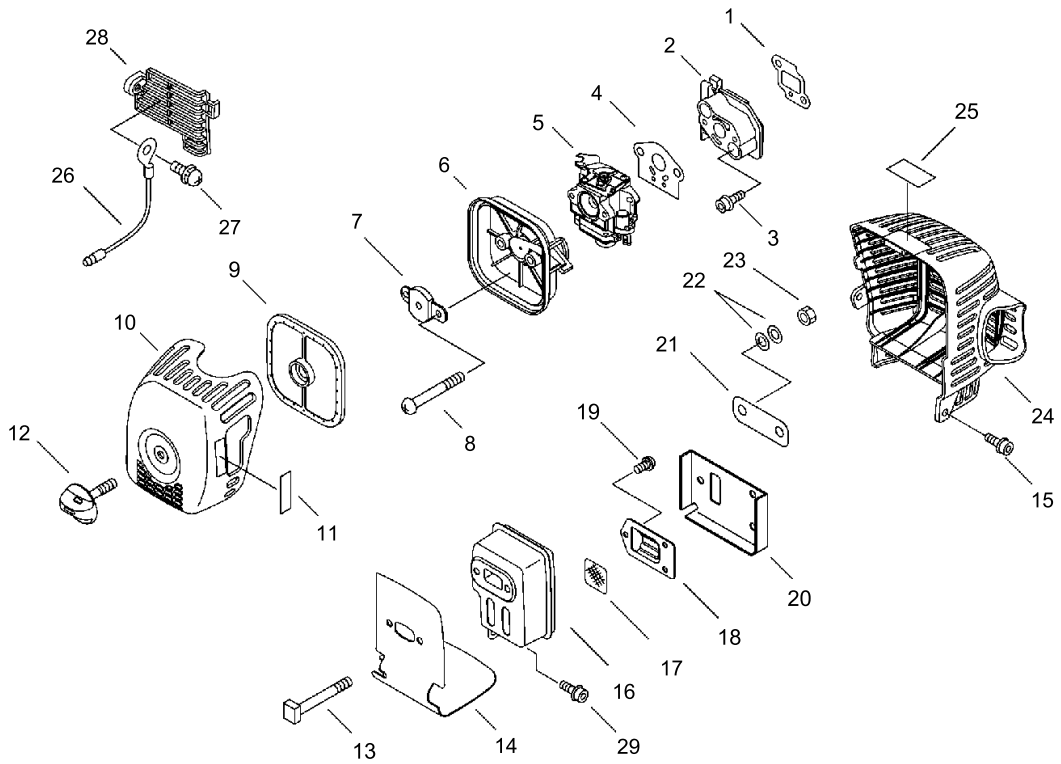
Starter, Magneto



Starter, Magneto

Key No.	LV (+)	Part No	Description	Qty	Standard
1		V485-000810	LEAD	1	L215
2		A411-000310	COIL, IGNITION	1	
2		A411-000311	COIL, IGNITION	1	
3		900162-05020	BOLT, H.S. 5*20	2	5*20 W,SW
5		159012-03433	CAP, SPARK PLUG	1	
6		159011-03432	COIL, SPARK PLUG	1	
7		A425-000000	SPARKPLUG	1	BPMR8Y
8		900515-00008	NUT, FLANGE 8	1	8
9		A409-000290	ROTOR, MAGNETO	1	
10		175046-56030	SHAFT, CLUTCH	2	
11		175049-56030	WASHER	2	8.5*16*0.5
12		A553-000050	ARM, CLUTCH	2	
13		175048-05530	WASHER (I)	2	6.2*19*1.0
14		A566-000020	SPRING, CLUTCH	1	
15		A052-000180	PULLEY,ASM STARTER	1	
16	+	P022-002100	E-RING	1	4
17	+	P022-006510	SPRING, RETURN	1	
18	+	P022-006850	PAWL, STARTER	1	
19		900502-00008	NUT 8 (3N)	1	3N8
20		A051-001210	STARTER,RECOIL ASY	1	
21	+	177236-61830	SCREW	1	
22	+	P022-008280	PLATE, CAM(TI12-511)	1	
23	+	P022-008270	SPRING,DAMPER	1	
24	+	A506-000080	REEL,ROPE	1	
25	+	177220-40630	SPRING, REWIND	1	
26	+	P022-022110	ROPE, STARTER	1	
27	+	P022-022010	NUT	1	
28	+	177228-27030	GRIP, STARTER	1	
29	+	177227-42030	GUIDE, ROPE	1	
30		X502-000330	LABEL,ECHO	1	ECHO
31		V203-000280	BOLT,5	4	
32		A175-000040	STAND	2	
33		91121-05020	BOLT, FLANGE	3	10.9 SILVER
34		V323-000070	WASHER,CIRCULAR 5	2	5.2*10*3

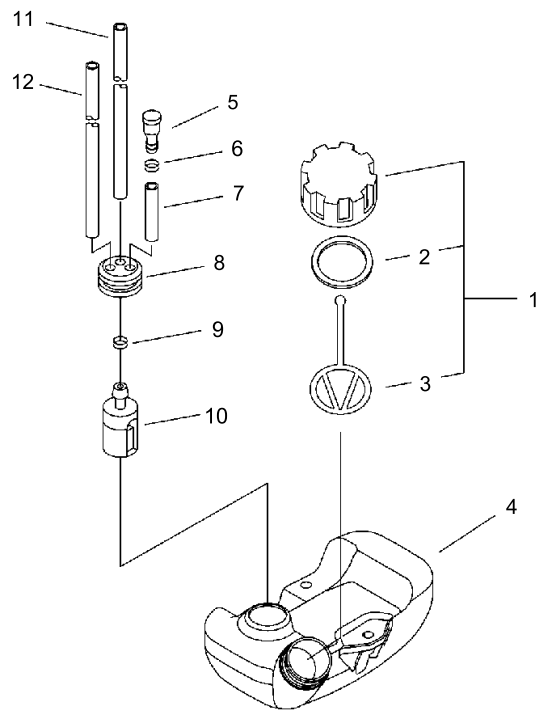
Air Cleaner, Carburetor, Muffler



Air Cleaner, Carburetor, Muffler

Key No.	LV (+)	Part No	Description	Qty	Standard
1		V103-000380	GASKET,INTAKE	1	T0.5
2		A200-000270	INSULATOR, INTAKE	1	PM9685L
3		900106-05030	BOLT, H.S.H. 5*30	2	5*30
4		V103-000160	GASKET,INTAKE	1	
5		A021-001340	CARBURETOR, DIAPHRAGM	1	WYK-233A
6		P021-013820	CASE, AIR CLEANER	1	
7		A244-000070	PLATE,PREVENT	1	
8		900242-05060	SCREW 5*60	2	5*60
9		A226-000350	ELEMENT, AIR FILTER	1	
10		A232-000360	LID,CLEANER	1	ID #1320
11		890332-52730	LABEL, CHOKE	1	
12		V299-000250	KNOB,FASTENER	1	
13		V203-000120	BOLT,5	2	L=60
14		V104-000810	GASKET,EXHAUST	1	NP7002 T:1.0
15		V203-000280	BOLT,5	1	
16		A300-000640	MUFFLER, EXHAUST	1	CAT25X26DEF STAY
17		145862-40630	SCREEN, MUFFLER	1	
18		A313-000860	GUIDE, EXHAUST	1	
19		91367-04010	SCREW	3	4*10/SW(SUS)
20		V104-000790	GASKET,EXHAUST	1	
21		V150-001760	PLATE,EYE	1	
22		92280-05000	WASHER, NORD-LOCK	2	NL5 5.4*9*1.8
23		900500-00005	NUT 5	2	5
24		A320-000400	COVER,MUFFLER	1	
25		X505-002310	LABEL,CAUTION	1	HOT CAUTION
26		162014-27230	LEAD, GROUND	1	
27		900242-05010	SCREW 5*10	1	5*10
28		A127-000150	COVER,DUST	1	
29		900106-05016	BOLT, H.S. 5*16	1	5*16

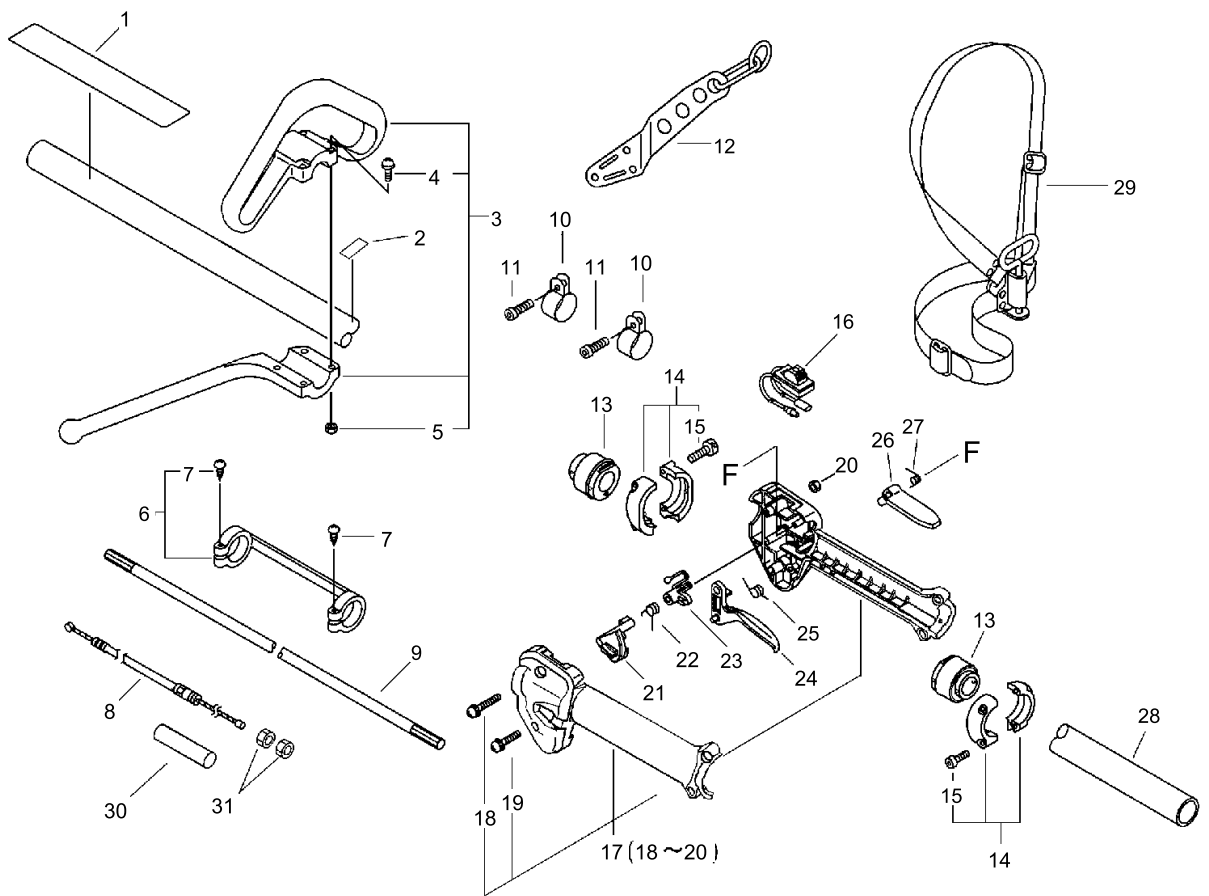
Fuel Tank



Fuel Tank

Key No.	LV (+)	Part No	Description	Qty	Standard
1		P021-012210	CAP,FUEL ASY	1	
2	+	131016-55830	GASKET, FUEL CAP	1	
3	+	A365-000060	CONNECTOR,CAP	1	L=123
4		A350-000500	TANK, FUEL	1	
5		A356-000030	VALVE,CHECK	1	
6		132013-26630	CLIP	1	6.5MM
7		V471-000110	PIPE	1	3*6*115
8		132115-55930	GROMMET, FUEL	1	
9		132013-09820	CLIP	1	6MM
10		131205-19830	STRAINER, FUEL	1	
10		131205-19831	STRAINER, FUEL	1	
11		V470-000580	PIPE	1	3*5*195
12		132012-56030	PIPE	1	3*6*80 YL

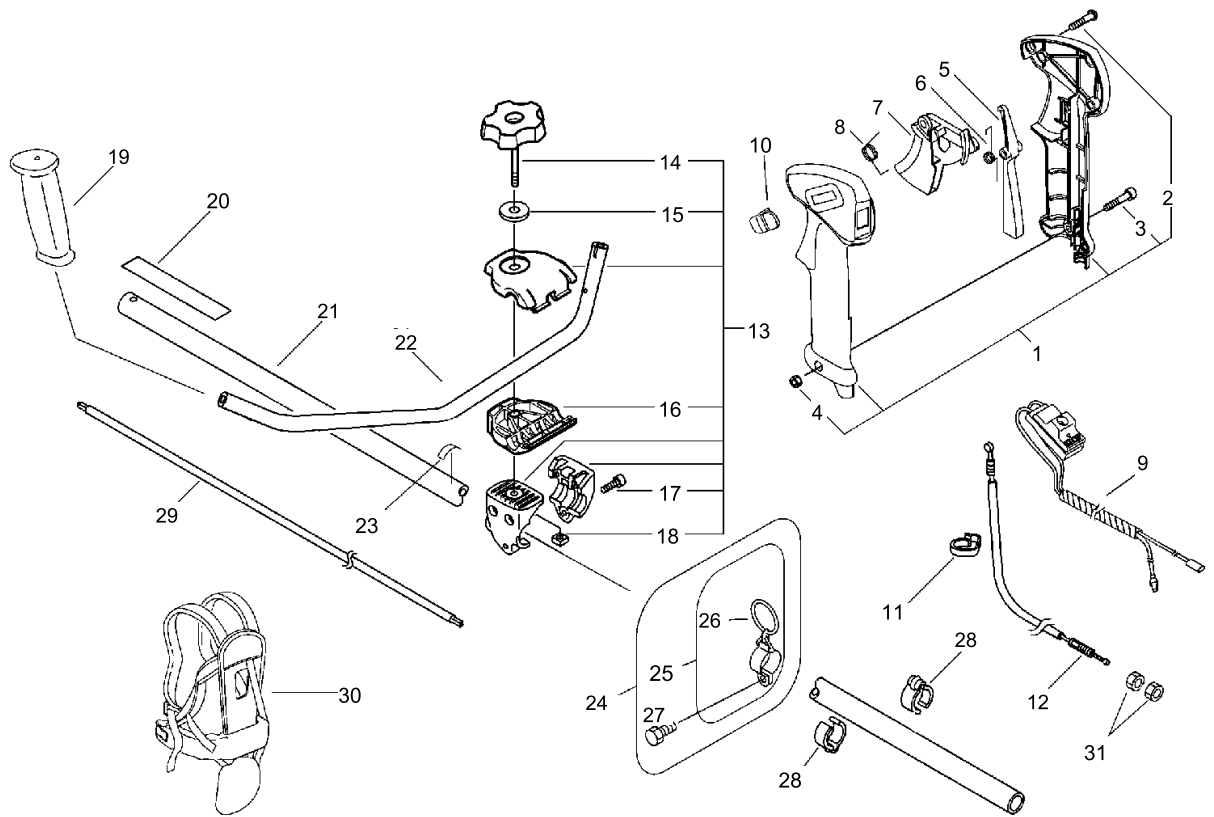
L-Handle



L-Handle

Key No.	LV (+)	Part No	Description	Qty	Standard
1		890617-43130	LABEL,CAUTION	1	
2		890152-04930	LABEL, CAUTION	1	
3		P021-013540	FRONT HANDLE ASY	1	
4	+	91118-05035	BOLT	4	
5	+	900500-00005	NUT 5	4	5
6		610281-54130	COLLER	1	
6		610281-54131	COLLER	1	
7	+	900253-04025	SCREW 4*25	2	4*25
8		V430-002070	CABLE,BOWDEN	1	
9		C504-000050	SHAFT,DRIVE	1	7*1540
10		V495-001010	BAND	2	
11		91118-05014	BOLT	2	
12		C624-000020	HANGER,HARNESS	1	
13		V420-000960	CUSHION	2	
14		P021-012630	BRACKET ASM., HANDLE	1	
15	+	91118-05025	BOLT	4	CM-5*25
16		163400-49330	SWITCH, IGNITION	1	
17		P021-013560	BRACKET SET, THROTTLE	1	
18	+	91118-05035	BOLT	1	
19	+	91118-05025	BOLT	3	CM-5*25
20		900500-00005	NUT 5	4	5
21		C461-000010	LATCH,THROTTLE	2	
22		V452-000120	SPRING,TORSION	1	
23		C461-000000	LATCH,THROTTLE	1	
24		C450-000110	TRIGGER,THROTTLE	1	
25		178043-42230	SPRING, THR. RETURN	1	
26		178090-52632	LOCKOUT, T. CONTROL	1	
27		178013-52630	SPRING, THR. LOCK	1	
28		C050-000870	PIPE, MAIN	1	
29		301001-46731	HARNESS, SHOULDER	1	L1910,L1550
30		V475-000850	TUBE	1	7*200
31		900502-00006	NUT 6 (3N)	2	3N6

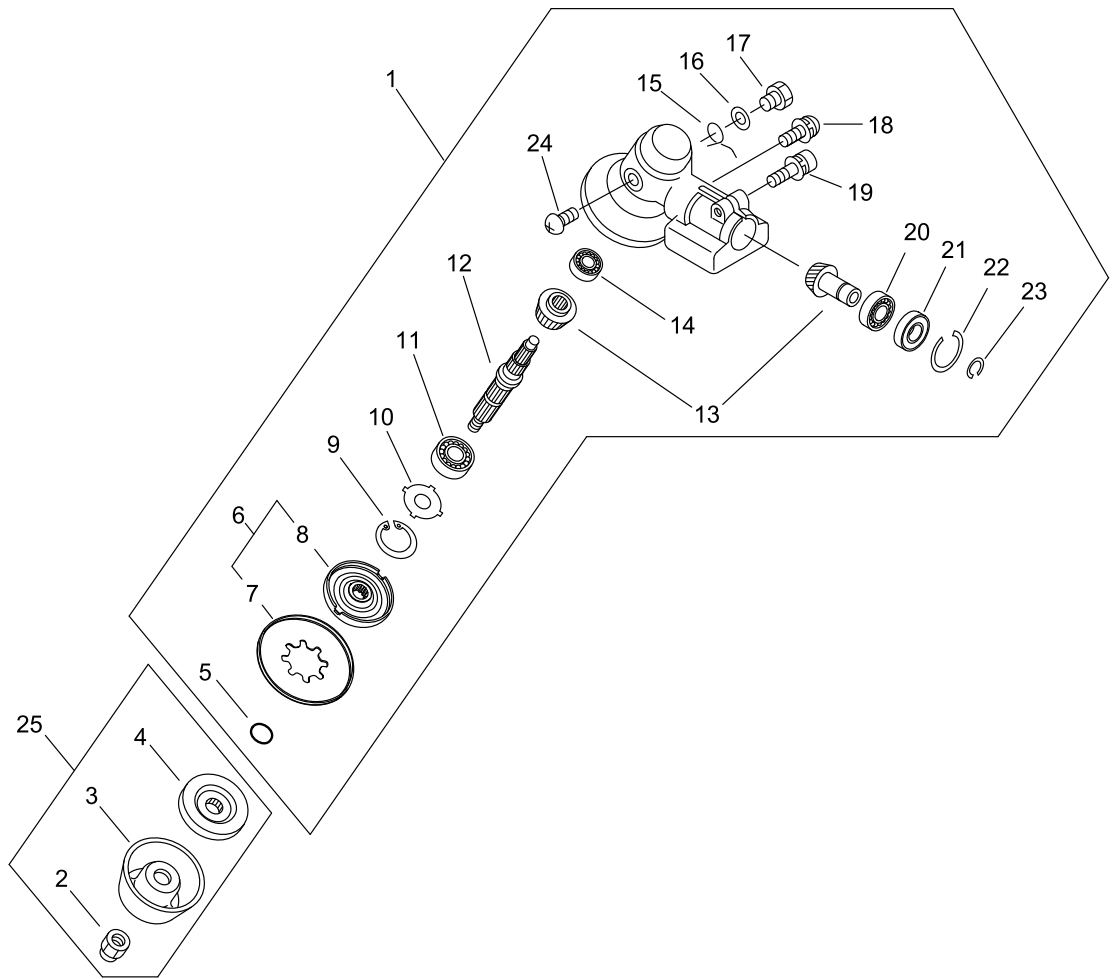
U-Handle



U-Handle

Key No.	LV (+)	Part No	Description	Qty	Standard
1		P021-014090	GRIP ASY,F-HANDLE	1	
2	+	900256-04016	SCREW 4*16	3	4*16
3	+	91119-05030	BOLT	1	
4	+	900500-00005	NUT 5	1	5
5		C460-000110	LOCKOUT, THROTTLE	1	
5		C460-000111	LOCKOUT, THROTTLE	1	70MM
6		V452-000350	SPRING,TORSION	1	
7		C450-000270	CONTROL, THROTTLE	1	
8		V452-000360	SPRING,TORSION	1	
9		P021-042300	SWITCH,ON OFF	1	
10		C463-000020	KNOB, LATCH	1	
11		159112-09961	CLIP	1	
12		V430-002080	CABLE,BOWDEN	1	
13		P021-012820	FIXTURE,ASY HANDLE	1	SRM-2655SI
14	+	V299-000110	KNOB,FASTENER	1	
15	+	605014-54230	WASHER	1	
16	+	C423-000030	FIXTURE,HANDLE	1	
17	+	91118-05030	BOLT	3	
18	+	900565-50008	NUT	1	8*1.25
19		C403-000031	GRIP,HANDLE	1	
20		890617-43130	LABEL,CAUTION	1	
21		C050-000870	PIPE, MAIN	1	
22		C400-000211	HANDLE,FRONT	1	
23		890152-04930	LABEL, CAUTION	1	
24		P021-013580	RING, HARNESS KIT	1	
25	+	301200-21330	HOOK ASS'Y	1	
26	++	301015-05330	HOOK, BAND	1	
27	+	91121-05012	BOLT, FLANGE	1	10.9 SILVER
28		224924-52130	CLIP	2	25MM
29		C504-000050	SHAFT,DRIVE	1	7*1540
30		C062-000181	HARNESS,SHOULDER	1	
31		900502-00006	NUT 6 (3N)	2	3N6

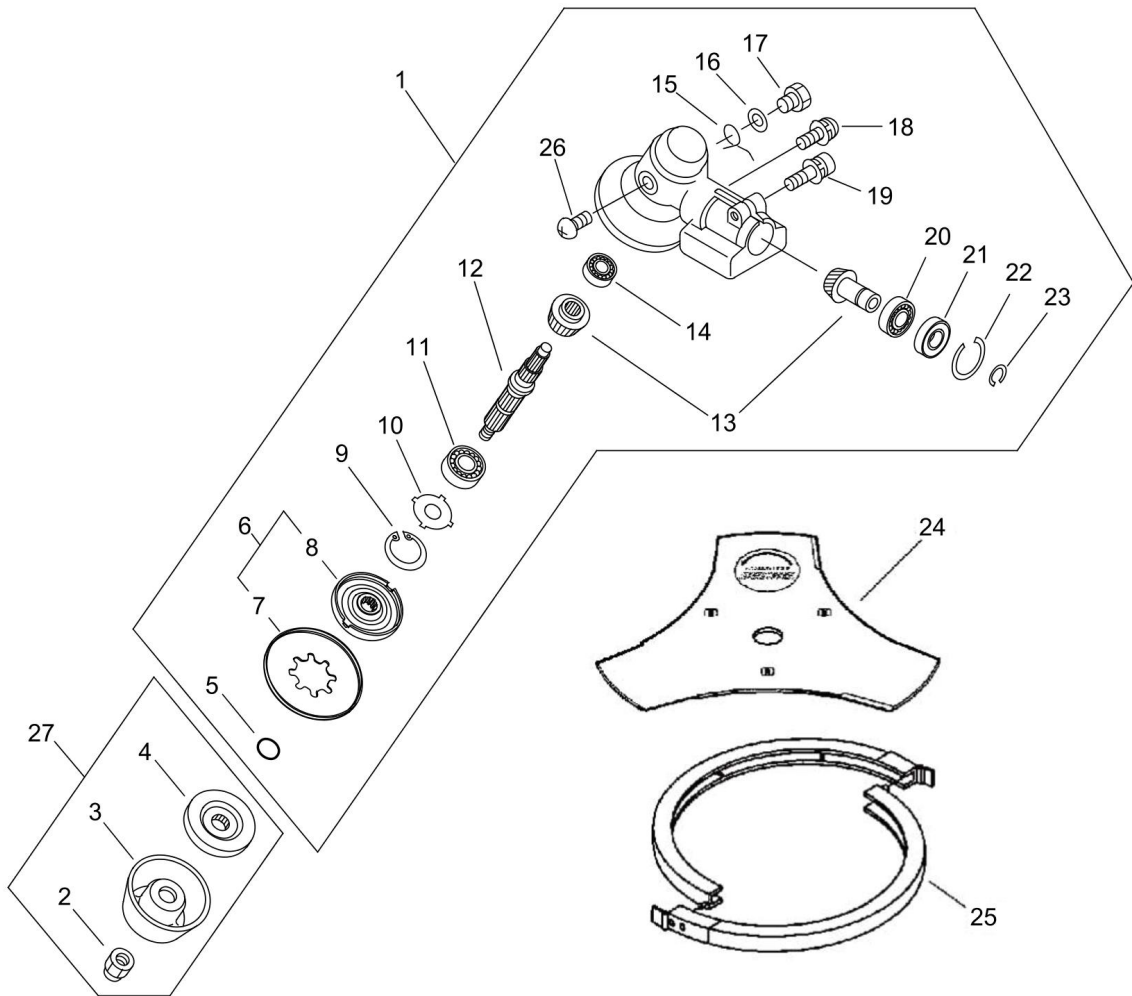
L-Gear Case



L-Gear Case

Key No.	LV (+)	Part No	Description	Qty	Standard
1		P100-006872	CASE,GEAR ASY	1	
5	+	900720-00012	O-RING	1	P-12
6	+	610313-52932	FIXTURE,BLADE	1	
7	++	610352-56830	PLATE, CUP	1	
8	++	610313-52132	FIXTURE,BLADE	1	
9	+	900702-00032	RETAINING RING, INTERNAL	1	CR-32
10	+	610444-56830	WASHER	1	
11	+	900812-06201	BEARING, BALL	1	6201LLU(DDU)
12	+	610310-56832	SHAFT, P.T.O.	1	12*10*1
13	+	610300-25531	GEAR SET	1	7S
14	+	94060-00626	BEARING, BALL	1	626
15	+	V452-001310	SPRING,TORSION	1	
16	+	900603-50008	WASHER	1	8.5*18*0.8T
17	+	610434-50031	BOLT 8* 8	1	M8*8
18	+	91119-05012	BOLT HSH	1	5*12
19	+	91118-06025	BOLT HSH	1	6*25
20	+	94060-06900	BEARING, BALL	1	6900
21	+	94063-06900	BEARING, BALL	1	6900Z
22	+	900702-00022	RETAINING RING, INTERNAL	1	CR-22
23	+	900706-00010	RETAINING RING, EXTERNAL	1	WR-10
24	+	900220-04006	SCREW	1	4*6
25		P200-000990	BLADE FIXTURE KIT	1	
2	+	610320-52130	NUT 10	1	
3	+	699229-56830	PLATE, COVER	1	
4	+	610314-52130	PLATE, ADAPTER (L)	1	

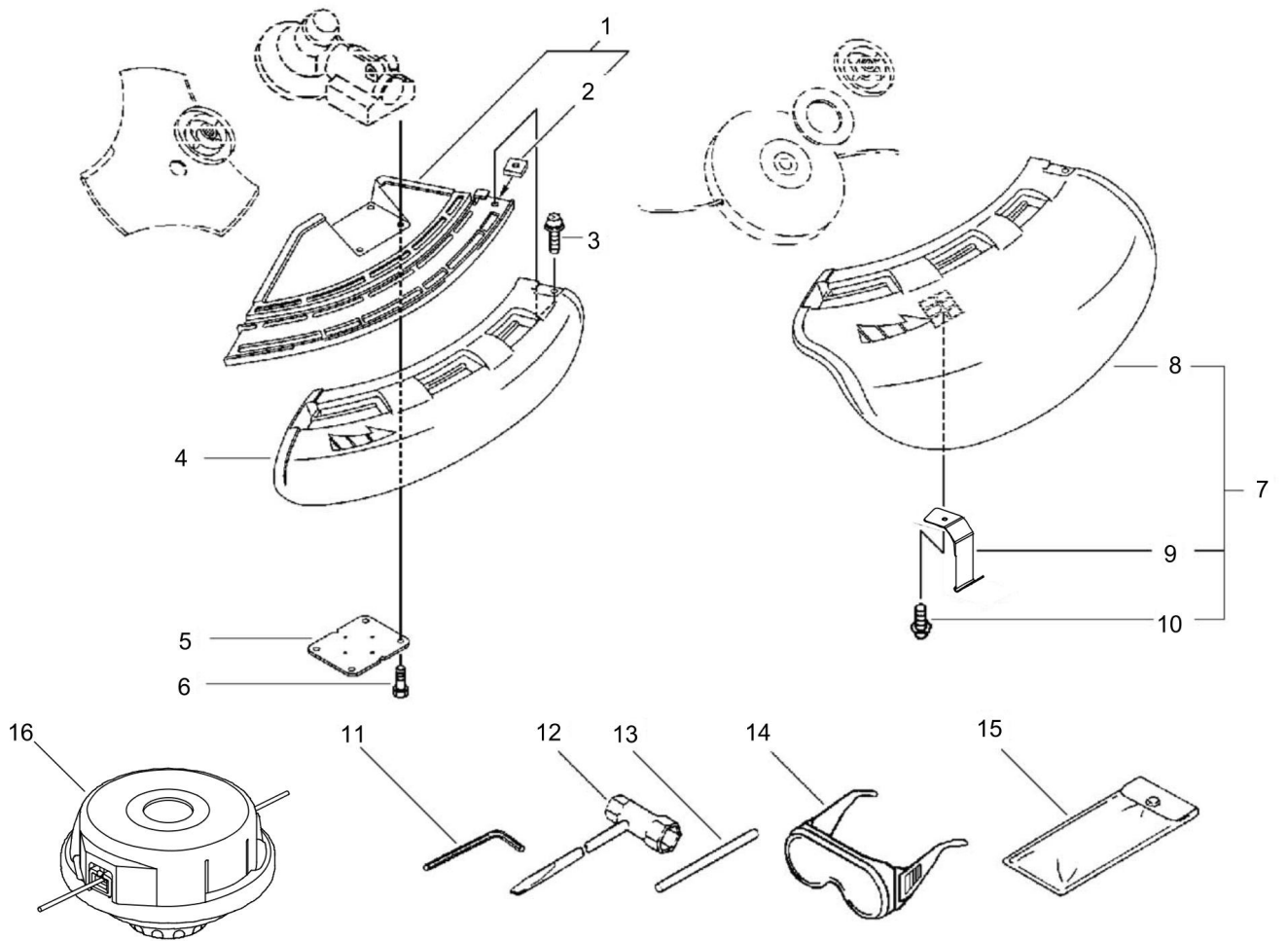
U-Gear Case



U-Gear Case

Key No.	LV (+)	Part No	Description	Qty	Standard
1		P100-006872	CASE,GEAR ASY	1	
5	+	900720-00012	O-RING	1	P-12
6	+	610313-52932	FIXTURE,BLADE	1	
7	++	610352-56830	PLATE, CUP	1	
8	++	610313-52132	FIXTURE,BLADE	1	
9	+	900702-00032	RETAINING RING, INTERNAL	1	CR-32
10	+	610444-56830	WASHER	1	
11	+	900812-06201	BEARING, BALL	1	6201LLU(DDU)
12	+	610310-56832	SHAFT, P.T.O.	1	12*10*1
13	+	610300-25531	GEAR SET	1	7S
14	+	94060-00626	BEARING, BALL	1	626
15	+	V452-001310	SPRING,TORSION	1	
16	+	900603-50008	WASHER	1	8.5*18*0.8T
17	+	610434-50031	BOLT 8* 8	1	M8*8
18	+	91119-05012	BOLT HSH	1	5*12
19	+	91118-06025	BOLT HSH	1	6*25
20	+	94060-06900	BEARING, BALL	1	6900
21	+	94063-06900	BEARING, BALL	1	6900Z
22	+	900702-00022	RETAINING RING, INTERNAL	1	CR-22
23	+	900706-00010	RETAINING RING, EXTERNAL	1	WR-10
26	+	900220-04006	SCREW	1	4*6
24		X405-000001	SAW,BUSH CUTTER	1	3*255*25.4*T2.0
25		P021-007470	SCABBARD,BLADE	1	
27		P200-000990	BLADE FIXTURE KIT	1	
2	+	610320-52130	NUT 10	1	
3	+	699229-56830	PLATE, COVER	1	
4	+	610314-52130	PLATE, ADAPTER (L)	1	

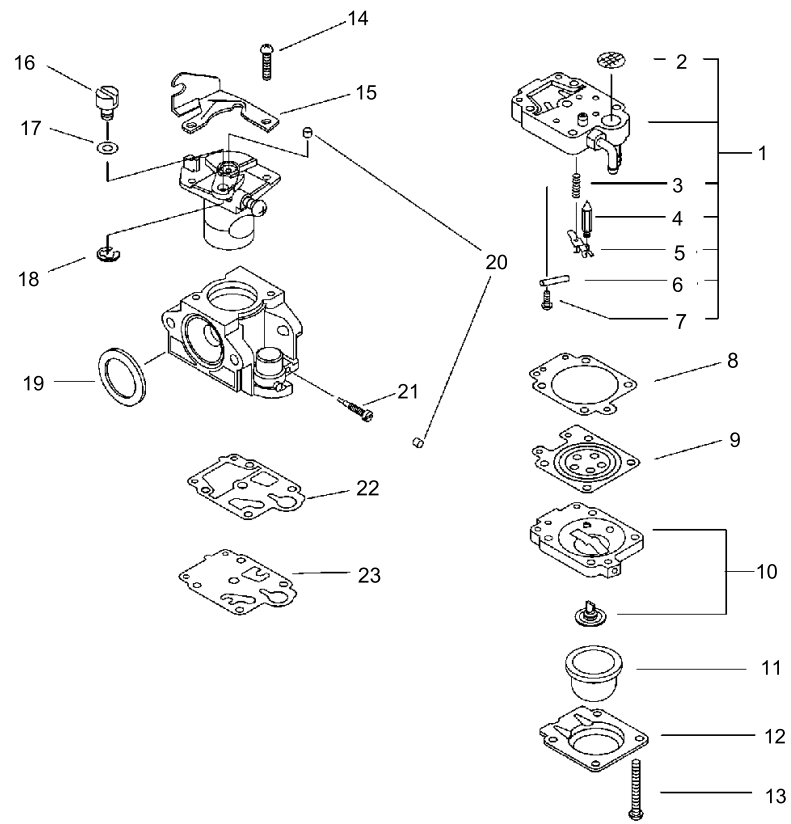
Blade Shield, Tools



Blade Shield, Tools

Key No.	LV (+)	Part No	Description	Qty	Standard
1		C550-000100	SHIELD,BLADE	1	
2	+	900565-00005	NUT, SQUARE	1	5
3		91118-05018	BOLT HSH	1	CM-5*18
4		C550-000090	SHIELD,BLADE	1	
5		699013-56830	PLATE, SHIELD	1	
6		91118-05025	BOLT HSH	4	CM-5*25
7		P021-013770	SHIELD KIT	1	
8	+	C550-000080	SHIELD,BLADE	1	
9	+	C554-000030	KNIFE, CORD	1	17INCH
10	+	900252-05012	SCREW, TAPPING	1	5*12
11		895610-00130	L-WRENCH (4MM)	1	
12		X602-000020	TOOL,WRENCH	1	17*19 L200
13		X606-000080	TOOL,BAR	1	5*120
14		P021-002861	GOGGLES	1	
15		898510-07130	BAG, TOOL	1	
16		X047-000270	CUTTER,ASM LINE	1	F4/10 M10L

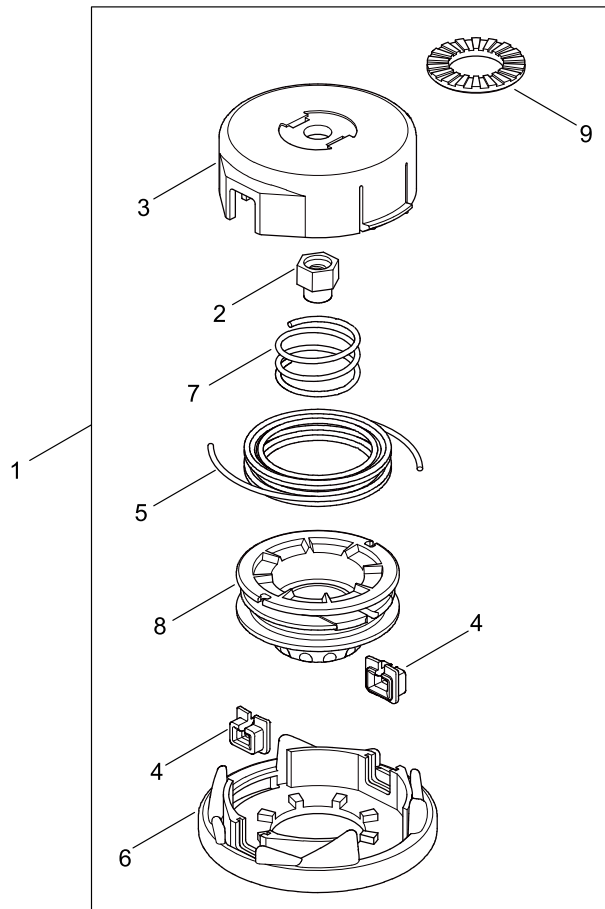
Carburettor



Carburettor

Key No.	LV (+)	Part No	Description	Qty	Standard
		A021-001340	CARBURETOR, DIAPHRAGM	1	WYK-233A
1	+	P003-000440	BODY ASY, PUMP	1	
2	++	123126-10631	SCREEN, INLET	1	
3	++	P003-000450	SPRING, METER. LEVER	1	
4	++	123137-19830	VALVE, INLET NEEDLE	1	
5	++	123123-03930	LEVER, METERING	1	
6	++	123138-03930	PIN, METERING LEVER	1	
7	++	123139-05560	SCREW, M. LEVER PIN	1	
8	+	123140-05560	GASKET, M. DIAPHRAGM	1	
9	+	P003-001850	DIAPHRAGM, METERING	1	
10	+	123180-05560	BODY, AIR PURGE	1	
11	+	123181-40630	PUMP, PRIMER	1	
12	+	123142-05560	COVER, PRIMER PUMP	1	
13	+	123110-05560	SCREW, PUMP COVER	4	
14	+	123114-40630	SCREW	2	
15	+	P003-000180	BRACKET CABLE	1	
16	+	123172-45130	SWIVEL	1	
17	+	123149-54230	WASHER	1	
18	+	123173-07930	CLIP	1	
19	+	123143-12110	RING, PACKING	1	
20	+	A259-000000	CAP,LIMITER	2	WALBRO 88-265
21	+	P003-001130	NEEDLE, HIGH SPEED	1	
22	+	P003-000100	GASKET, PUMP	1	
23	+	123112-40630	DIAPHRAGM, PUMP	1	

NYLON LINE CUTTER



NYLON LINE CUTTER

Key No.	LV (+)	Part No	Description	Qty	Standard
1		X047-000270	CUTTER,ASM LINE	1	F4/10 M10L
2	+	P022-001220	NUT	1	
3	+	P022-003310	HOUSING	1	
4	+	P022-000710	EYELET	2	T4
5	+	P022-006190	NYLON CODE	1	3.0*2M
6	+	P022-003330	COVER	1	
7	+	P022-001250	SPRING	1	DS-3/10
8	+	P022-001260	BOBBIN	1	DS-3/10
9	+	P022-022050	WASHER	1	

NUMERICAL PARTS INDEX

Part No	Part description	Page	Part No	Part description	Page	Part No	Part description	Page
100012-16131	BEARING, NEEDLE	2	224924-52130	CLIP	12	900253-04025	SCREW 4*25	10
100013-35430	PIN, PISTON	2	301001-46731	HARNES, SHOULDER	10	900256-04016	SCREW 4*16	12
100015-03931	CIRCLIP, PISTON PIN	2	301015-05330	HOOK, BAND	12	900500-00005	NUT 5	6
100142-12330	KEY, WOODRUFF	2	301200-21330	HOOK ASS'Y	12	900500-00005	NUT 5	10
100212-03930	OILSEAL	2	605014-54230	WASHER	12	900500-00005	NUT 5	12
100215-03930	PIN, DOWEL	2	610281-54130	COLLER	10	900502-00006	NUT 6 (3N)	10
123110-05560	SCREW, PUMP COVER	20	610281-54131	COLLER	10	900502-00006	NUT 6 (3N)	12
123112-40630	DIAPHRAGM, PUMP	20	610300-25531	GEAR SET	14	900502-00008	NUT 8 (3N)	4
123114-40630	SCREW	20	610300-25531	GEAR SET	16	900515-00008	NUT, FLANGE 8	4
123123-03930	LEVER, METERING	20	610310-56832	SHAFT, P.T.O.	14	900565-00005	NUT, SQUARE	18
123126-10631	SCREEN, INLET	20	610310-56832	SHAFT, P.T.O.	16	900565-50008	NUT	12
123137-19830	VALVE, INLET NEEDLE	20	610313-52132	FIXTURE, BLADE	14	900603-50008	WASHER	14
123138-03930	PIN, METERING LEVER	20	610313-52132	FIXTURE, BLADE	16	900603-50008	WASHER	16
123139-05560	SCREW, M. LEVER PIN	20	610313-52932	FIXTURE, BLADE	14	900701-00012	CIRCLIP 12	2
123140-05560	GASKET, M. DIAPHRAGM	20	610313-52932	FIXTURE, BLADE	16	900702-00022	RETAINING RING, INTERNAL	14
123142-05560	COVER, PRIMER PUMP	20	610314-52130	PLATE, ADAPTER (L)	14	900702-00022	RETAINING RING, INTERNAL	16
123143-12110	RING, PACKING	20	610314-52130	PLATE, ADAPTER (L)	16	900702-00028	CIRCLIP 28	2
123149-54230	WASHER	20	610320-52130	NUT 10	14	900702-00032	CIRCLIP 32	2
123172-45130	SWIVEL	20	610320-52130	NUT 10	16	900702-00032	RETAINING RING, INTERNAL	14
123173-07930	CLIP	20	610352-56830	PLATE, CUP	14	900702-00032	RETAINING RING, INTERNAL	16
123180-05560	BODY, AIR PURGE	20	610352-56830	PLATE, CUP	16	900706-00010	RETAINING RING, EXTERNAL	14
123181-40630	PUMP, PRIMER	20	610434-50031	BOLT 8* 8	14	900706-00010	RETAINING RING, EXTERNAL	16
131016-55830	GASKET, FUEL CAP	8	610434-50031	BOLT 8* 8	16	900720-00012	O-RING	14
131205-19830	STRAINER, FUEL	8	610444-56830	WASHER	14	900720-00012	O-RING	16
131205-19831	STRAINER, FUEL	8	610444-56830	WASHER	16	900807-06001	BEARING, BALL 6001	2
132012-56030	PIPE	8	699013-56830	PLATE, SHIELD	18	900812-06201	BEARING, BALL	14
132013-09820	CLIP	8	699229-56830	PLATE, COVER	14	900812-06201	BEARING, BALL	16
132013-26630	CLIP	8	699229-56830	PLATE, COVER	16	91118-05014	BOLT	10
132115-55930	GROMMET, FUEL	8	890152-04930	LABEL, CAUTION	10	91118-05018	BOLT HSH	18
145862-40630	SCREEN, MUFFLER	6	890152-04930	LABEL, CAUTION	12	91118-05025	BOLT	10
159011-03432	COIL, SPARK PLUG	4	890332-52730	LABEL, CHOKER	6	91118-05025	BOLT HSH	18
159012-03433	CAP, SPARK PLUG	4	890617-43130	LABEL, CAUTION	10	91118-05030	BOLT	12
159112-09961	CLIP	12	890617-43130	LABEL, CAUTION	12	91118-05035	BOLT	10
162014-27230	LEAD, GROUND	6	895610-00130	L-WRENCH (4MM)	18	91118-06025	BOLT HSH	14
163400-49330	SWITCH, IGNITION	10	898510-07130	BAG, TOOL	18	91118-06025	BOLT HSH	16
175046-56030	SHAFT, CLUTCH	4	900106-05016	BOLT, H.S. 5*16	6	91119-05012	BOLT HSH	14
175048-05530	WASHER (I)	4	900106-05020	BOLT, H.S. 5*20	2	91119-05012	BOLT HSH	16
175049-56030	WASHER	4	900106-05025	BOLT, H.S. 5*25	2	91119-05030	BOLT	12
177220-40630	SPRING, REWIND	4	900106-05030	BOLT, H.S.H. 5*30	6	91121-05010	BOLT, FLANGE	2
177227-42030	GUIDE, ROPE	4	900162-05020	BOLT, H.S. 5*20	4	91121-05012	BOLT, FLANGE	12
177228-27030	GRIP, STARTER	4	900220-04006	SCREW	14	91121-05020	BOLT, FLANGE	4
177236-61830	SCREW	4	900220-04006	SCREW	16	91128-05025	BOLT HSH	2
178013-52630	SPRING, THR. LOCK	10	900242-05010	SCREW 5*10	6			
178043-42230	SPRING, THR. RETURN	10	900242-05060	SCREW 5*60	6			
178090-52632	LOCKOUT, T. CONTROL	10	900252-05012	SCREW, TAPPING	18			

NUMERICAL PARTS INDEX

Part No	Part description	Page	Part No	Part description	Page	Part No	Part description	Page
91128-05028	BOLT HSH	2	C403-000031	GRIP,HANDLE	12	P022-003330	COVER	22
91367-04010	SCREW	6	C423-000030	FIXTURE,HANDLE	12	P022-006190	NYLON CODE	22
92280-05000	WASHER, NORD-LOCK	6	C450-000110	TRIGGER,THROTTLE	10	P022-006510	SPRING, RETURN	4
94035-36201	BEARING BALL	2	C450-000270	CONTROL, THROTTLE	12	P022-006850	PAWL, STARTER	4
94060-00626	BEARING, BALL	14	C460-000110	LOCKOUT, THROTTLE	12	P022-008270	SPRING,DAMPER	4
94060-00626	BEARING, BALL	16	C460-000111	LOCKOUT, THROTTLE	12	P022-008280	PLATE, CAM(TI12-511)	4
94060-06900	BEARING, BALL	14	C461-000000	LATCH,THROTTLE	10	P022-022010	NUT	4
94060-06900	BEARING, BALL	16	C461-000010	LATCH,THROTTLE	10	P022-022050	WASHER	22
94063-06900	BEARING, BALL	14	C463-000020	KNOB, LATCH	12	P022-022110	ROPE, STARTER	4
94063-06900	BEARING, BALL	16	C504-000050	SHAFT,DRIVE	10	P100-006872	CASE,GEAR ASY	14
A011-000470	CRANKSHAFT,ASY	2	C504-000050	SHAFT,DRIVE	12	P100-006872	CASE,GEAR ASY	16
A021-001340	CARBURETOR, DIAPHRAGM	6	C550-000080	SHIELD,BLADE	18	P200-000990	BLADE FIXTURE KIT	14
A021-001340	CARBURETOR, DIAPHRAGM	20	C550-000090	SHIELD,BLADE	18	P200-000990	BLADE FIXTURE KIT	16
A021-001340	CARBURETOR, DIAPHRAGM	20	C550-000100	SHIELD,BLADE	18	V100-000201	GASKET,CYL	2
A051-001210	STARTER,RECOIL ASY	4	C554-000030	KNIFE, CORD	18	V102-000030	GASKET,CRANKCASE	2
A052-000180	PULLEY,ASM STARTER	4	C624-000020	HANGER,HARNES	10	V103-000160	GASKET,INTAKE	6
A101-000170	RING, PISTON	2	P003-000100	GASKET, PUMP	20	V103-000380	GASKET,INTAKE	6
A127-000150	COVER,DUST	6	P003-000180	BRACKET CABLE	20	V104-000790	GASKET,EXHAUST	6
A130-000800	CYLINDER	2	P003-000440	BODY ASY, PUMP	20	V104-000810	GASKET,EXHAUST	6
A160-000800	COVER,CYLINDER	2	P003-000450	SPRING, METER. LEVER	20	V150-001760	PLATE,EYE	6
A162-000110	GUARD, TOP	2	P003-001130	NEEDLE, HIGH SPEED	20	V203-000120	BOLT,5	6
A175-000040	STAND	4	P003-001850	DIAPHRAGM, METERING	20	V203-000280	BOLT,5	4
A200-000270	INSULATOR, INTAKE	6	P021-002861	GOGGLES	18	V203-000280	BOLT,5	6
A226-000350	ELEMENT, AIR FILTER	6	P021-007470	SCABBARD,BLADE	16	V203-000290	BOLT,5	2
A232-000360	LID,CLEANER	6	P021-010730	PISTON KIT	2	V299-000110	KNOB,FASTENER	12
A244-000070	PLATE,PREVENT	6	P021-010741	CRANKCASE KIT	2	V299-000250	KNOB,FASTENER	6
A259-000000	CAP,LIMITER	20	P021-012210	CAP,FUEL ASY	8	V306-000200	WASHER,CIRCULAR 8	2
A300-000640	MUFFLER, EXHAUST	6	P021-012630	BRACKET ASM., HANDLE	10	V323-000070	WASHER,CIRCULAR 5	4
A313-000860	GUIDE, EXHAUST	6	P021-012820	FIXTURE,ASY HANDLE	12	V420-000960	CUSHION	10
A320-000400	COVER,MUFFLER	6	P021-013540	FRONT HANDLE ASY	10	V420-001400	CUSHION	2
A350-000500	TANK, FUEL	8	P021-013560	BRACKET SET, THROTTLE	10	V430-002070	CABLE,BOWDEN	10
A356-000030	VALVE,CHECK	8	P021-013580	RING, HARNES KIT	12	V430-002080	CABLE,BOWDEN	12
A365-000060	CONNECTOR,CAP	8	P021-013770	SHIELD KIT	18	V452-000120	SPRING,TORSION	10
A409-000290	ROTOR, MAGNETO	4	P021-013820	CASE, AIR CLEANER	6	V452-000350	SPRING,TORSION	12
A411-000310	COIL, IGNITION	4	P021-013900	FIXTURE,MAIN PIPE	2	V452-000360	SPRING,TORSION	12
A411-000311	COIL, IGNITION	4	P021-014090	GRIP ASY,F-HANDLE	12	V452-001310	SPRING,TORSION	14
A425-000000	SPARKPLUG	4	P021-014330	COVER ASY, FAN	2	V452-001310	SPRING,TORSION	16
A506-000080	REEL,ROPE	4	P021-042300	SWITCH,ON OFF	12	V470-000580	PIPE	8
A553-000050	ARM, CLUTCH	4	P022-000710	EYELET	22	V471-000110	PIPE	8
A556-000430	DRUM, CLUTCH	2	P022-001220	NUT	22	V475-000850	TUBE	10
A566-000020	SPRING, CLUTCH	4	P022-001250	SPRING	22	V485-000810	LEAD	4
C050-000870	PIPE, MAIN	10	P022-001260	BOBBIN	22	V495-001010	BAND	10
C050-000870	PIPE, MAIN	12	P022-002100	E-RING	4	V505-000020	SEAL,OIL 12	2
C062-000181	HARNES,SHOULDER	12	P022-003310	HOUSING	22	X047-000270	CUTTER,ASM LINE	18
C400-000211	HANDLE,FRONT	12				X047-000270	CUTTER,ASM LINE	22

NUMERICAL PARTS INDEX

Part No	Part description	Page
X405-00001	SAW,BUSH CUTTER	16
X502-000330	LABEL,ECHO	4
X505-002310	LABEL,CAUTION	6
X524-001901	LABEL	2
X547-000940	LABEL,ECHO	2
X602-000020	TOOL,WRENCH	18
X606-000080	TOOL,BAR	18