

# SRM-420ES-LW

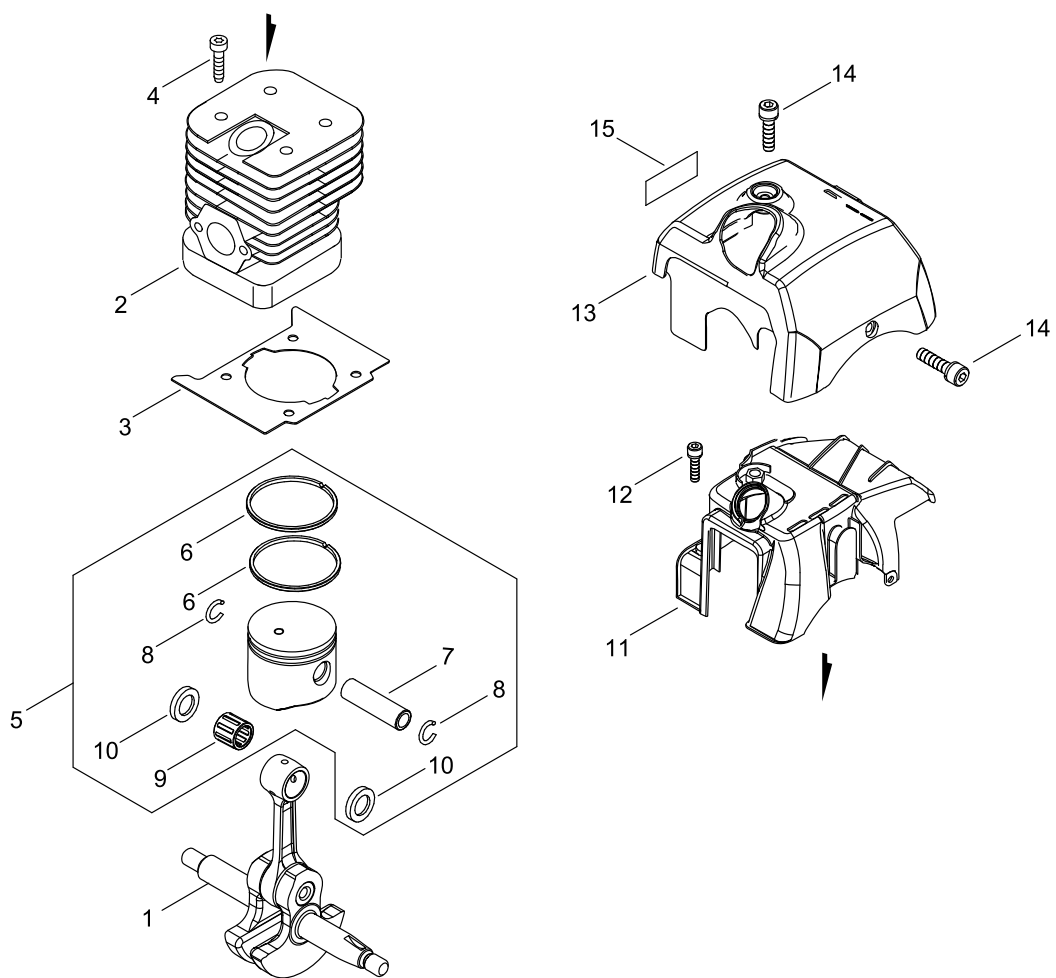
Published:01/17/2018

## TABLE OF CONTENTS

---

CYLINDER, PISTON, CRANKSHAFT.....	1
CRANKCASE .....	3
MAGNETO.....	5
CLUTCH.....	7
AIR CLEANER, CARBURETOR.....	9
CARBURETOR.....	11
FUEL TANK.....	13
MUFFLER .....	15
RECOIL STARTER, PULLY .....	17
GEAR CASE, SHIELD.....	19
MAIN PIPE, HANDLE.....	21
THROTTLE .....	23
ACCESSORIES .....	25
NYLON LINE CUTTER.....	27

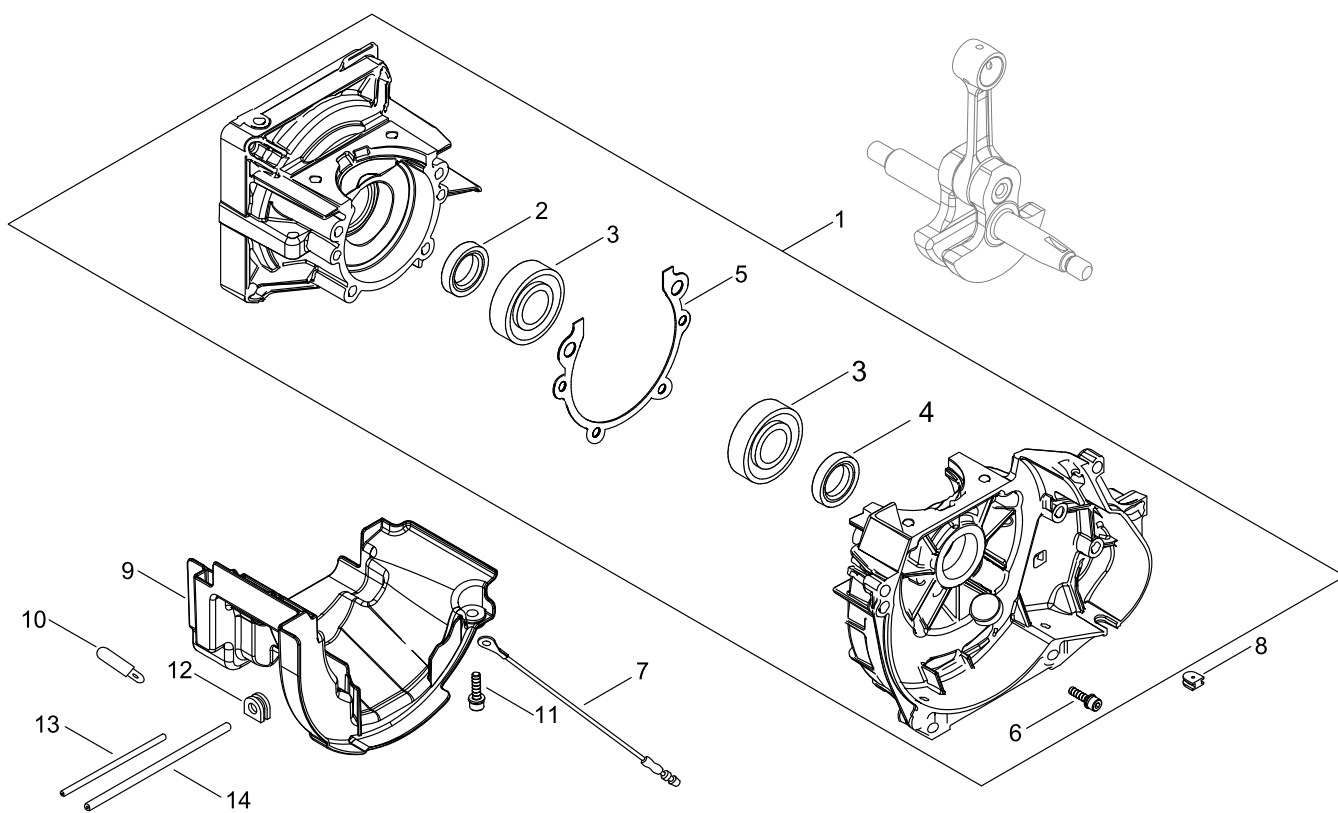
# CYLINDER, PISTON, CRANKSHAFT



## CYLINDER, PISTON, CRANKSHAFT

KEY NO	LV(+)	Part No	Description	Qty	Standard	Comment
1		A011-001230	CRANKSHAFT,ASY	1		
2		A130-002070	CYLINDER	1		
3		V100-000760	GASKET,CYL	1		
4		V805-000210	BOLT, TORX 5	4	TB-5*20 12.9	
5		P021-041390	PISTON KIT	1		
6	+	A101-000160	RING, PISTON	2	40*B1.5*T1.8	
7	+	V608-000000	PIN,ENG 10	1		
8	+	V580-000010	RING,END	2	10	
9	+	100012-19830	BEARING, NEEDLE	1		
10	+	100014-17330	SPACER, PISTON PIN	2		
11		A160-002620	COVER,CYLINDER	1		
12		V835-000000	BOLT, TORX 5	1		
13		A160-002631	COVER,CYLINDER	1		
14		V835-000000	BOLT, TORX 5	2		
15		X547-002290	LABEL,ECHO	1	ECHO SRM-420ES	

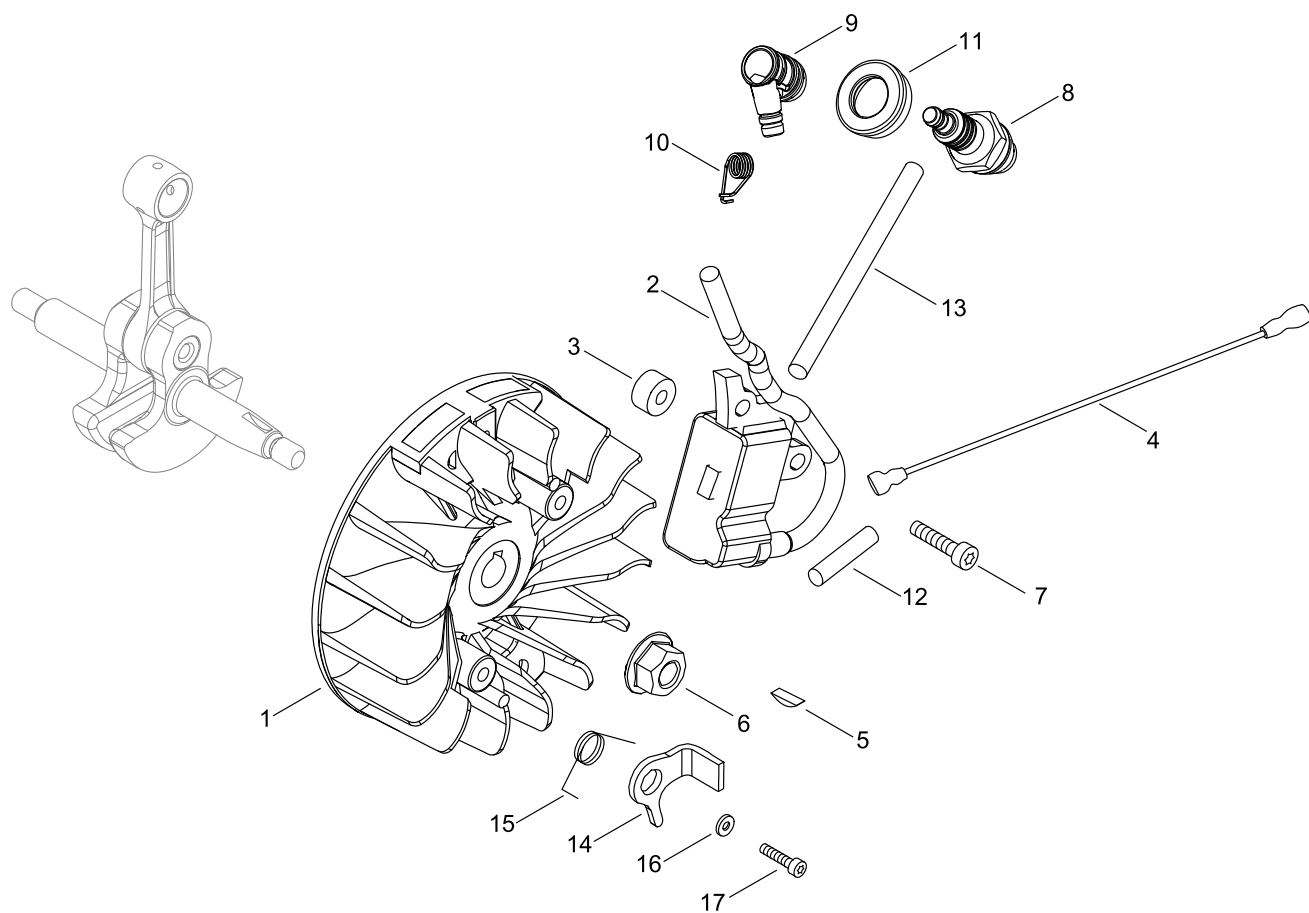
# CRANKCASE



## CRANKCASE

KEY NO	LV(+)	Part No	Description	Qty	Standard	Comment
1		P100-002630	CRANKCASE SET	1		
2	+	V505-000020	SEAL,OIL 12	1	12*22*7	
3	+	900888-36201	BEARING, BALL 6201	2	6201	
4	+	100213-05530	OILSEAL	1	ISCD 12 22 7	
5	+	V102-000250	GASKET,CRANKCASE	1		
6	+	V805-000290	BOLT, TORX 5	4	TB-5*35 12.9	
7		V485-002570	LEAD	1		
8		156114-07320	GROMMET	1		
9		A209-000740	PLATE, INSULATOR	1		
10		159116-21231	CLAMP	1		
11		V835-000000	BOLT, TORX 5	2		
12		156110-04920	BUSHING	1		
13		V471-004040	PIPE	1	3*6*165	
14		V475-007610	TUBE	1	8*9*111	

## MAGNETO

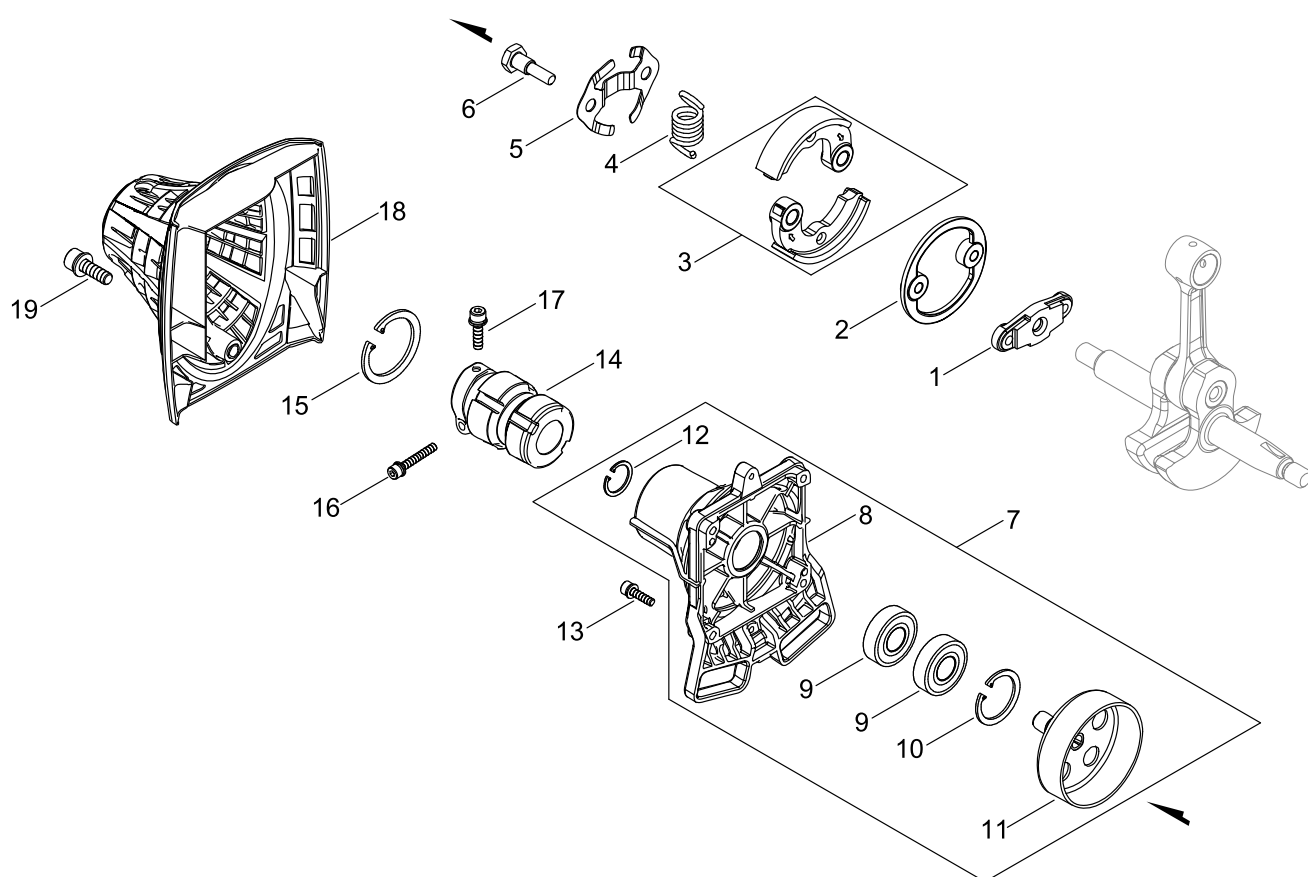


## MAGNETO

KEY NO	LV(+)	Part No	Description	Qty	Standard	Comment
1		A409-001210	ROTOR, MAGNETO	1		
2		A411-001371	COIL, IGNITION	1		
3		V353-000630	COLLAR,5	2		
4		V485-002331	LEAD	1		
5		100142-12330	KEY, WOODRUFF	1		
6		92105-08000	NUT, FLANGE	1	M8*1.25 L	
7		V805-000150	BOLT, TORX 5	2	TB-5*16 10.9	
8		A425-000000	SPARKPLUG	1	BPMR8Y	
9		A427-000060	CAP,SPARK PLUG	1		
10		A426-000010	TERMINAL,SPARKPLUG	1		
11		A429-000090	COVER,CAP	1		
12		V475-007540	TUBE	1		
13		V475-007550	TUBE	1		
14		A514-000280	PAWL	2		
15		V452-001471	SPRING,TORSION	2		
16		177247-04630	SPACER, RATCHET	2	5.2*8*2.1	
17		V805-000140	BOLT, TORX 5	2	TB-5*12 10.9	



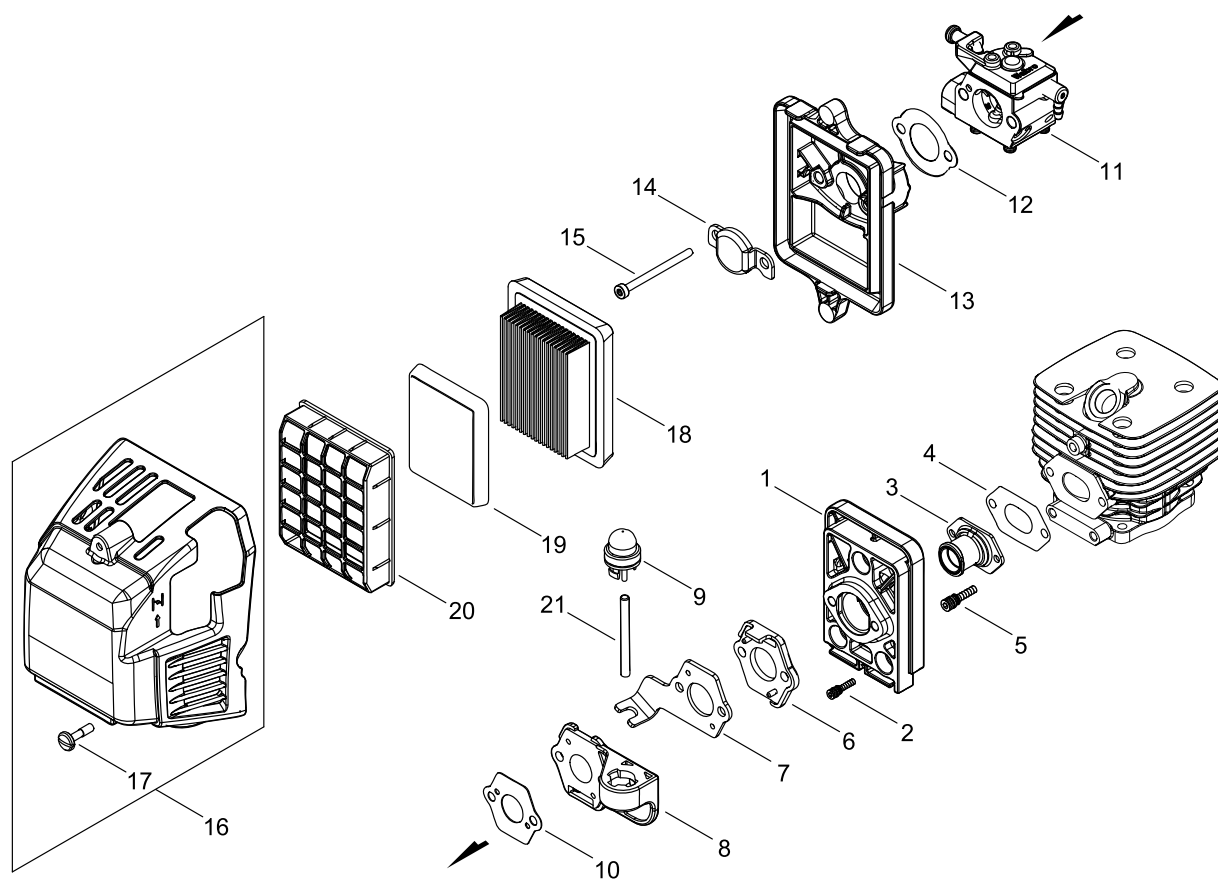
# CLUTCH



## CLUTCH

KEY NO	LV(+)	Part No	Description	Qty	Standard	Comment
1		A552-000390	HUB, CLUTCH	1		
2		V376-001980	SPACER	1		
3		P100-000080	CLUTCH SHOE SET	1		
4		A566-000230	SPRING, CLUTCH	1		
5		V453-000230	SPRING,FLAT	1		
6		A557-000190	SHAFT, CLUTCH	2		
7		P100-002610	CASE,CLUTCH ASY	1		
8	+	A570-000281	CASE,CLUTCH	1		
9	+	900807-06001	BEARING, BALL 6001	2	6001V(LB)	
10	+	900702-00028	CIRCLIP 28	1	CR-28	
11	+	A556-001540	DRUM, CLUTCH	1		
12	+	900701-00012	CIRCLIP 12	1	CS-12	
13		V805-000170	BOLT, TORX 5	4	TB-5*25 10.9	
14		V420-004090	CUSHION	1		
15		900702-00045	RING, RETAINING(IN)	1	CR-45	
16		V805-000170	BOLT, TORX 5	1	TB-5*25 10.9	
17		V805-000140	BOLT, TORX 5	1	TB-5*12 10.9	
18		A580-000011	COVER,CLUTCH CASE	1		
19		V835-000000	BOLT, TORX 5	2		

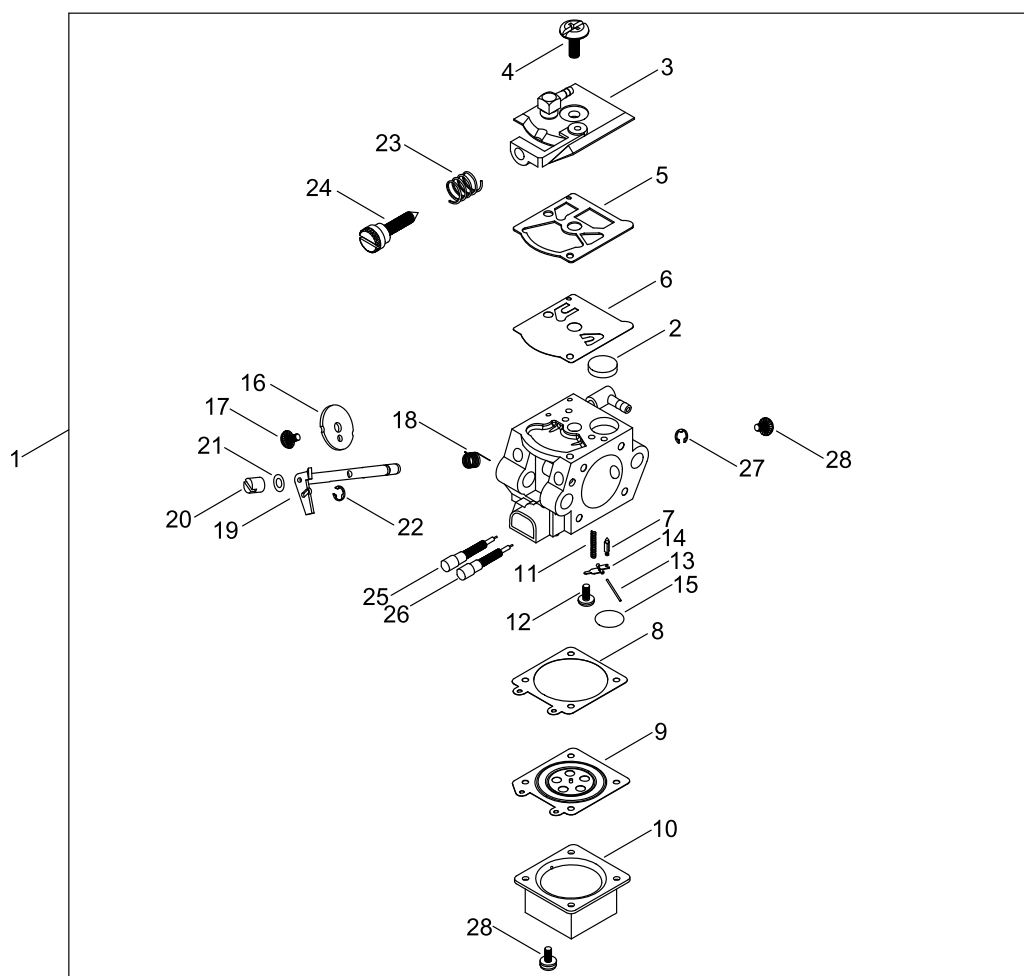
# AIR CLEANER, CARBURETOR



## AIR CLEANER, CARBURETOR

KEY NO	LV(+)	Part No	Description	Qty	Standard	Comment
1		A200-000990	INSULATOR, INTAKE	1		
2		V835-000030	BOLT, TORX 5	3	TB-5*20 10.9	
3		A202-000251	BELLOWS, INTAKE	1		
4		V103-001620	GASKET,INTAKE	1		
5		V835-000010	BOLT, TORX 5	2	TB-5*12 10.9	
6		A209-000720	PLATE, INSULATOR	1		
7		C487-000410	HOLDER, CABLE	1		
8		A209-000730	PLATE, INSULATOR	1		
9		123181-39130	PUMP, PRIMER	1		
10		V103-001610	GASKET,INTAKE	1		
11		A021-004610	CARBURETOR, DIAPHRAGM	1	WT-1170	
12		V103-000471	GASKET,INTAKE	1	T0.5	
13		P021-041410	CLEANER CASE ASY	1		
14		A244-000290	PLATE, PREVENT	1		
15		V805-000100	BOLT, TORX 5	2	TB-5*65 10.9	
16		P100-002620	CLEANER COVER ASY	1		
17	+	V253-000100	SCREW,5	2	5*20	
18		A226-000361	ELEMENT, AIR FILTER	1	AFP-2010K-300	
19		A226-001740	ELEMENT, AIR FILTER	1		
20		A227-000040	PLATE, ELEMENT	1		
21		V471-004050	PIPE	1	2.4*5*115	

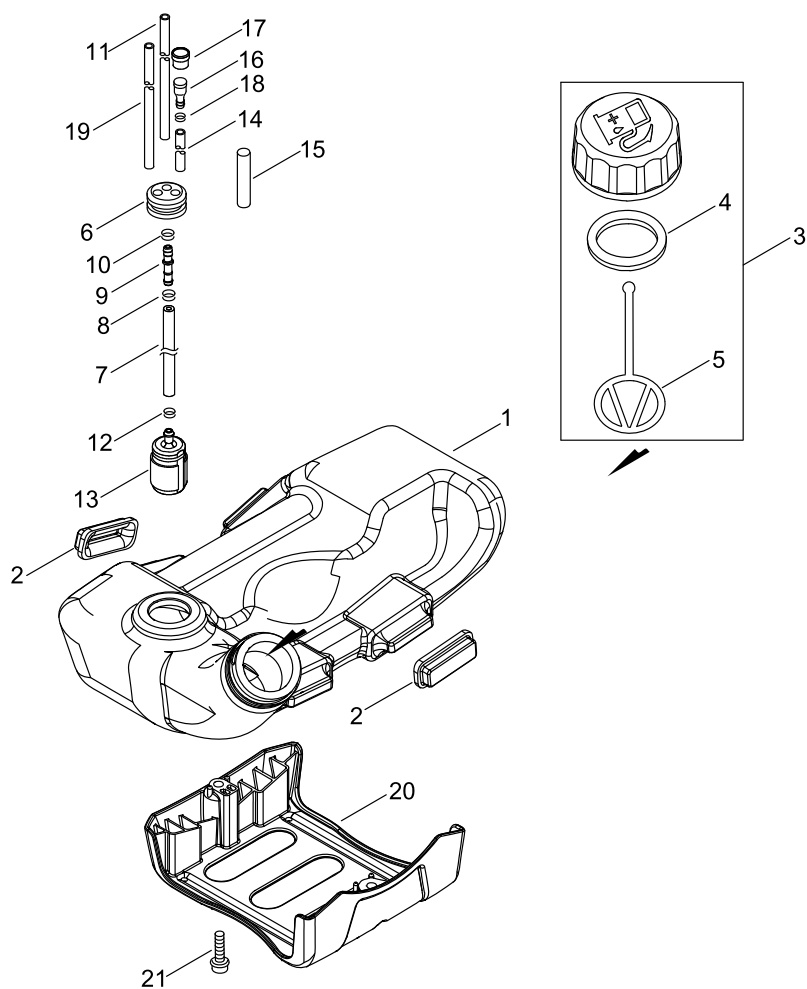
# CARBURETOR



## CARBURETOR

KEY NO	LV(+)	Part No	Description	Qty	Standard	Comment
1		A021-004610	CARBURETOR, DIAPHRAGM	1	WT-1170	
2	+	123126-10631	SCREEN, INLET	1		
3	+	P003-003930	COVER, FUEL PUMP	1		
4	+	123110-03930	SCREW, PUMP COVER	1		
5	+	123125-15030	GASKET, FUEL PUMP	1		
6	+	P003-001930	DIAPHRAGM	1		
7	+	123137-19830	VALVE, INLET NEEDLE	1		
8	+	123140-03930	GASKET, M. DIAPHRAGM	1		
9	+	P003-001850	DIAPHRAGM, METERING	1		
10	+	123142-03930	COVER, M. DIAPHRAGM	1		
11	+	123122-03660	SPRING, METER. LEVER	1		
12	+	123139-03930	SCREW, M. LEVER PIN	1		
13	+	123138-03930	PIN, METERING LEVER	1		
14	+	123123-03930	LEVER, METERING	1		
15	+	123146-10631	PLUG, WELCH	1		
16	+	123116-05960	VALVE, THROTTLE	1		
17	+	P003-002380	SCREW	1		
18	+	123113-47530	SPRING, THR. RTN.	1		
19	+	P003-005020	SHAFT ASM THROTTLE	1		
20	+	P003-005460	SWIVEL	1		
21	+	123149-54230	WASHER	1		
22	+	123173-07930	CLIP	1		
23	+	123133-04260	SPRING, IDLE ADJUST	1		
24	+	123134-04260	SCREW, IDLE ADJUST	1		
25	+	P003-004460	NEEDLE	1		
26	+	P003-002270	NEEDLE	1		
27	+	123127-03930	CLIP, THROTTLE SHAFT	1		
28	+	123130-02960	SCREW	5		

# FUEL TANK

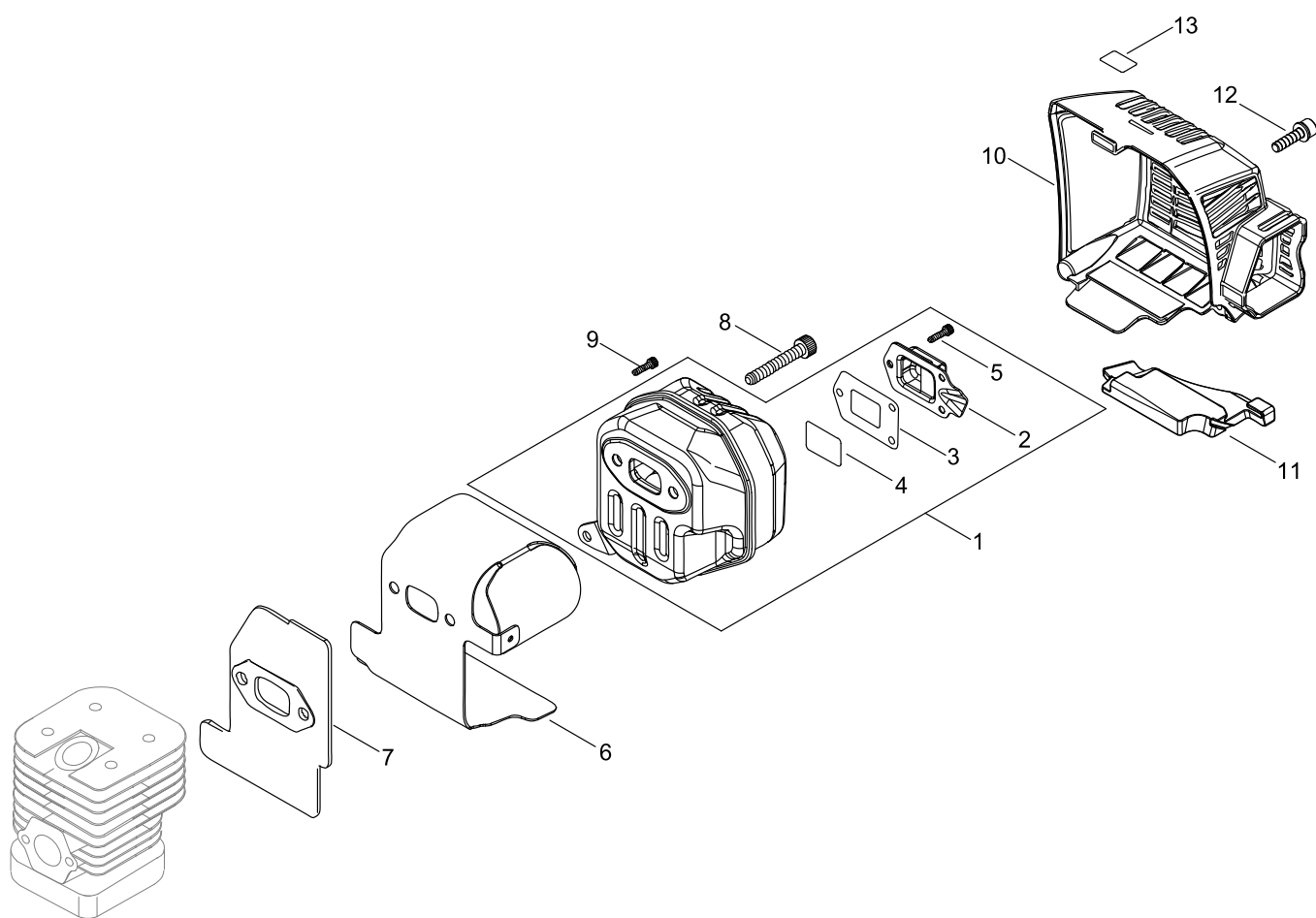


## FUEL TANK

KEY NO	LV(+)	Part No	Description	Qty	Standard	Comment
1		A350-002021	TANK, FUEL	1		
2		131920-61830	CUSHION, FUEL TANK	4		
3		P021-012210	CAP,FUEL ASY	1		
4	+	131016-55830	GASKET, FUEL CAP	1		
5	+	A365-000060	CONNECTOR,CAP	1	L=123	
6		132115-55930	GROMMET, FUEL	1		
7		V471-002310	PIPE	1	3*6*130	
8		V490-001240	CLIP	1		
9		V186-000510	JOINT,PIPE	1		
10		130111-00530	CLIP	1	5.5	
11		V470-000840	PIPE	1		
12		V490-001240	CLIP	1		
13		A369-000001	STRAINER, FUEL	1	125-528	
14		130110-16430	PIPE, IMPULSE	1	3*6*140L	
15		V475-007610	TUBE	1	8*9*111	
16		131300-56431	VENT ASSEMBLY, FUEL	1		
17		131328-40630	COVER, VENT	1		
18		V490-001240	CLIP	1		
19		V471-003950	PIPE	1		
20		A175-000331	STAND	1		
21		V835-000000	BOLT, TORX 5	2		



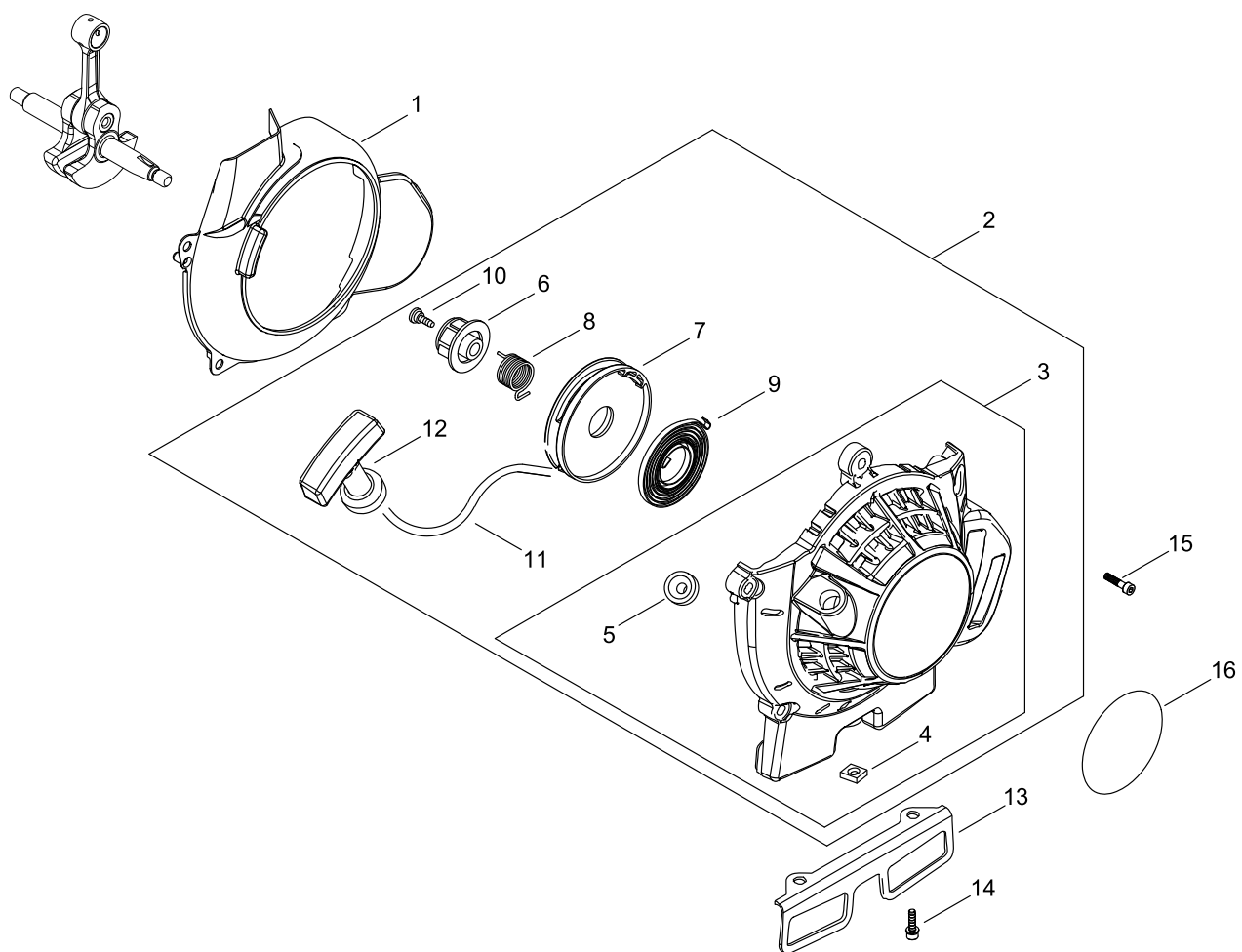
## MUFFLER



## MUFFLER

KEY NO	LV(+)	Part No	Description	Qty	Standard	Comment
1		P100-000070	MUFFLER ASY	1		
2	+	A313-001910	GUIDE, EXHAUST	1		
3	+	V104-002040	GASKET,EXHAUST	1		
4	+	145862-40630	SCREEN, MUFFLER	1		
5	+	V804-000030	BOLT, TORX 4	3	TB-4*8 10.9	
6		V104-002020	GASKET,EXHAUST	1		
7		V104-002030	GASKET,EXHAUST	1		
8		V806-000050	BOLT, TORX 6	2	TB-6*20 12.9	
9		V805-000250	BOLT, TORX 5	1	TB-5*16 12.9	
10		A320-001000	COVER,MUFFLER	1		
11		V541-000540	SEAL	1		
12		V805-000260	BOLT, TORX 5	2	TB5*25 10.9	
13		X505-002310	LABEL,CAUTION	1	HOT CAUTION	

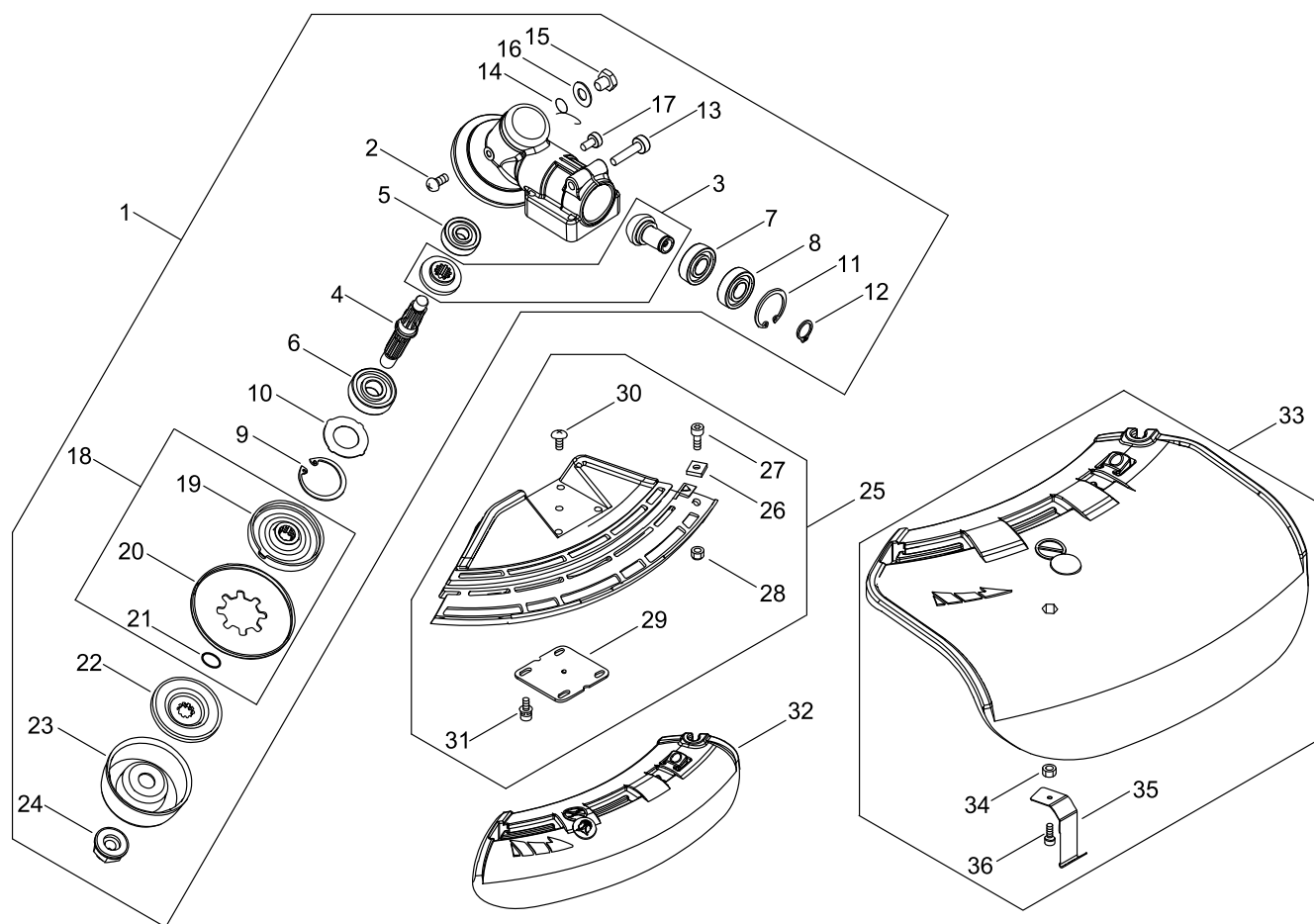
## RECOIL STARTER, PULLY



## RECOIL STARTER, PULLY

KEY NO	LV(+)	Part No	Description	Qty	Standard	Comment
1		A172-002240	COVER,FAN	1		
2		A051-002630	STARTER,RECOIL ASY	1		
3	+	P022-037550	STARTER CASE	1		
4	++	900565-00005	NUT	1	5	
5	++	P022-045770	GUIDE, ROPE	1		
6	+	P022-033830	CAM	1		
7	+	P022-023140	DRUM, STARTER	1		
8	+	P022-023120	SPRING,DAMPER	1		
9	+	P022-004680	SPRING, SPIRAL	1		
10	+	P022-023110	SCREW	1		
11	+	P022-023100	ROPE, STARTER	1		
12	+	177228-27030	GRIP, STARTER	1		
13		A393-000300	BRACKET,FUEL TANK	1	T1.5	
14		V805-000150	BOLT, TORX 5	2	TB-5*16 10.9	
15		V835-000030	BOLT, TORX 5	4	TB-5*20 10.9	
16		X502-000900	LABEL,ECHO	1		

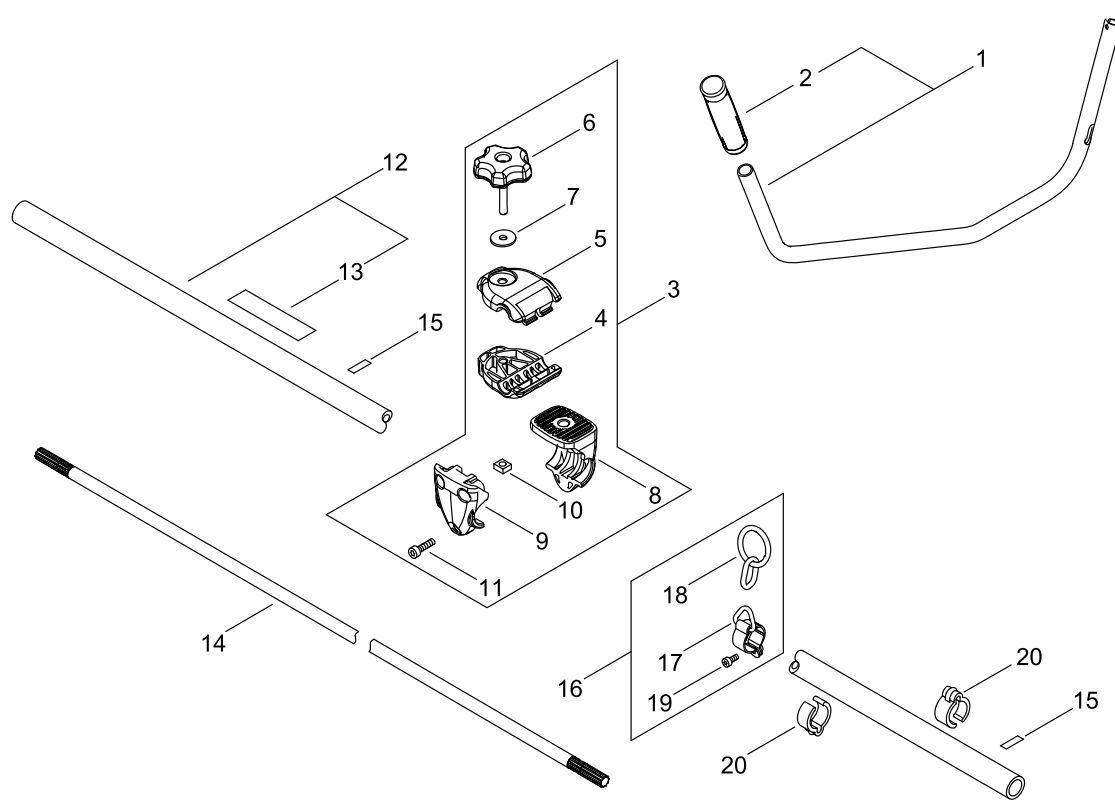
GEAR CASE, SHIELD



## GEAR CASE, SHIELD

KEY NO	LV(+)	Part No	Description	Qty	Standard	Comment
1		P021-041342	CASE,GEAR	1		
2	+	900220-04006	SCREW 4*6	1	4*6	
3	+	610300-56930	GEAR SET	1		
4	+	610310-56933	SHAFT, P.T.O.	1	12*10*1	
5	+	900810-00629	BEARING, BALL 629	1	629	
6	+	900812-06201	BEARING, BALL 6201	1	6201DDU(LLU)	
7	+	900800-06001	BEARING, BALL 6001	1	6001	
8	+	900803-06001	BEARING, BALL 6001	1	6001Z	
9	+	900702-00032	CIRCLIP 32	1	CR-32	
10	+	610444-56830	WASHER	1		
11	+	900702-00028	CIRCLIP 28	1	CR-28	
12	+	900701-00012	CIRCLIP 12	1	CS-12	
13	+	V806-000100	BOLT, TORX 6	1	TB-6*30 10.9	
14	+	V452-001310	SPRING,TORSION	1		
15	+	610434-50031	BOLT 8* 8	1	M8*8	
16	+	900603-50008	WASHER	1	8.5*18*0.8T	
17	+	V805-000130	BOLT, TORX 5	1	TB-5*10 10.9	
18	+	610313-52932	FIXTURE,BLADE	1		
19	++	610313-52132	FIXTURE,BLADE	1		
20	++	610352-56830	PLATE, CUP	1		
21	++	900720-00012	O-RING 12	1	P-12	
22	+	610314-52130	PLATE, ADAPTER (L)	1		
23	+	699229-56830	PLATE, COVER	1		
24	+	610320-52130	NUT 10	1		
25		P021-050810	SHIELD BLADE ASY	1		
26	+	900565-00005	NUT	1	5	
27	+	V805-000170	BOLT, TORX 5	1	TB-5*25 10.9	
28	+	900562-00005	NUT, LOCK	1	5	
29	+	C552-000200	PLATE, SHIELD	1		
30	+	91316-04010	SCREW	1	M4*10	
31	+	V805-000260	BOLT, TORX 5	4	TB5*25 10.9	
32		C550-000551	SHIELD,BLADE	1		
33		P021-041320	SHIELD ASY, BLADE	1		
34	+	V263-000020	NUT,5	1		
35	+	C554-000030	KNIFE, CORD	1	17INCH	
36	+	V805-000150	BOLT, TORX 5	1	TB-5*16 10.9	

MAIN PIPE, HANDLE

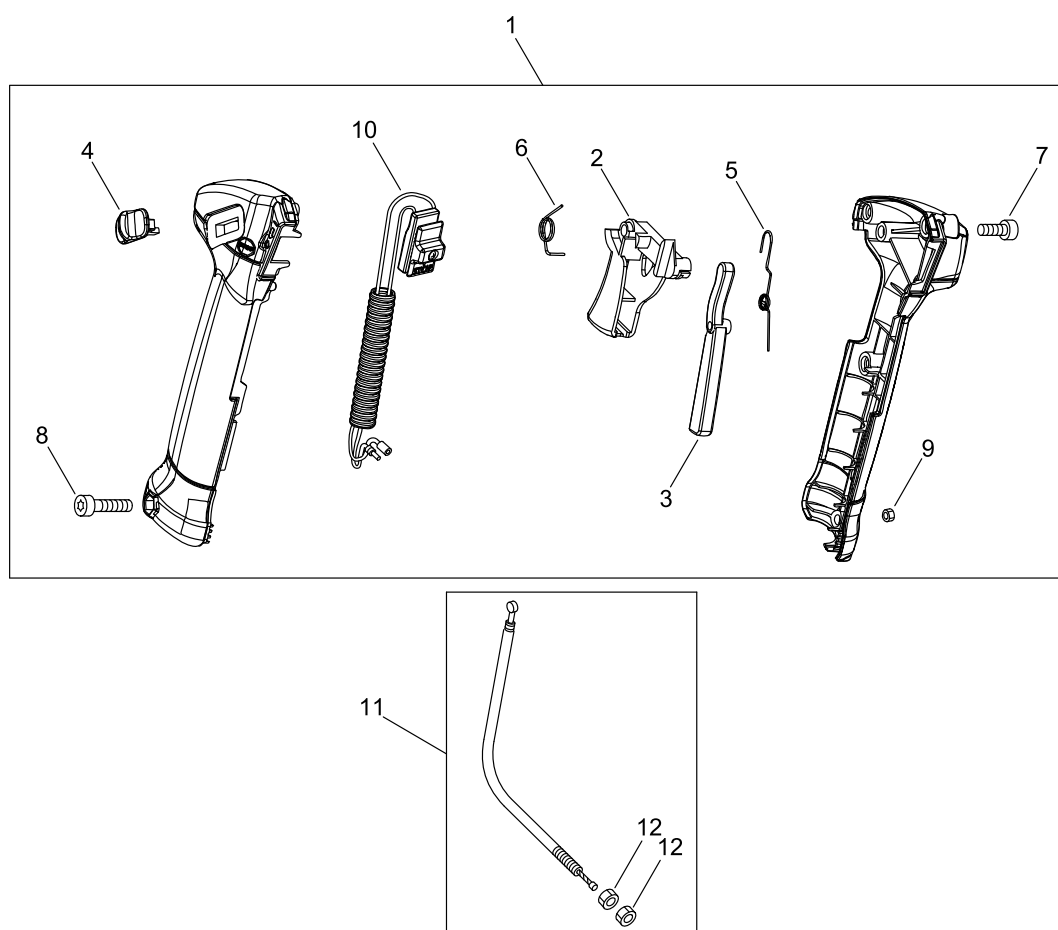


## MAIN PIPE, HANDLE

KEY NO	LV(+)	Part No	Description	Qty	Standard	Comment
1		P100-002560	HANDLE ASY	1		
2	+	351213-47531	GRIP, HANDLE	1		
3		P100-002570	FIXTURE,ASY HANDLE	1		
4	+	C423-000221	FIXTURE,HANDLE	1		
5	+	C423-000210	FIXTURE,HANDLE	1		
6	+	V299-000110	KNOB,FASTENER	1		
7	+	605014-54230	WASHER	1		
8	+	351312-52931	BRACKET, HANDLE (U)	1		
9	+	351313-52930	BRACKET, HANDLE (C)	1		
10	+	900565-50008	NUT	1	8*1.25	
11	+	V805-000170	BOLT, TORX 5	3	TB-5*25 10.9	
12		P021-048950	MAIN PIPE ASY	1		
13	+	890617-43130	LABEL,CAUTION	1		
14		610011-49931	SHAFT, DRIVE	1		
15		890152-04930	LABEL, CAUTION	2		
16		P100-002580	HOOK ASY	1		
17	+	301210-04631	HOOK	1		
18	+	301015-05330	HOOK, BAND	1		
19	+	V805-000140	BOLT, TORX 5	1	TB-5*12 10.9	
20		224924-52930	CLIP	2	28MM	



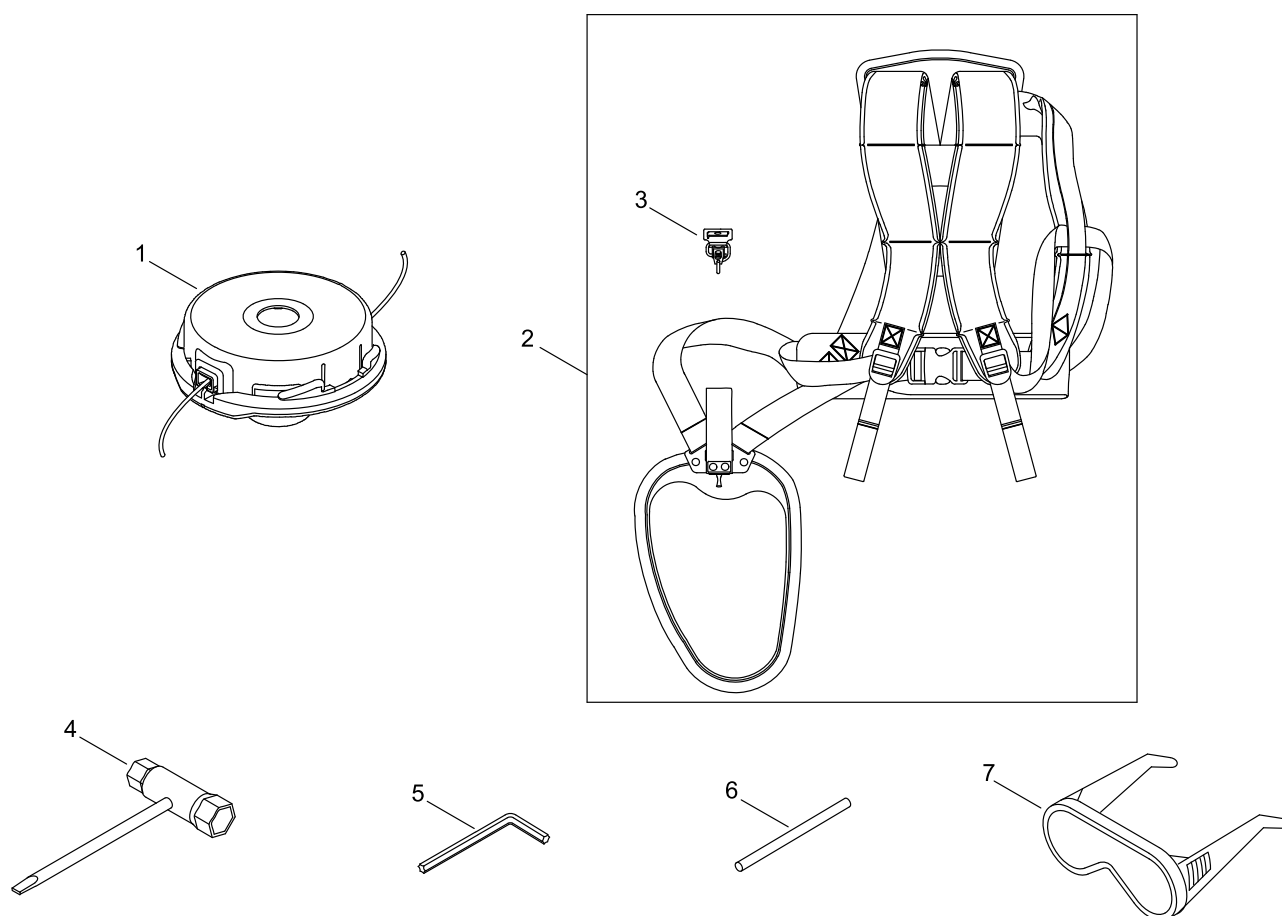
# THROTTLE



## THROTTLE

KEY NO	LV(+)	Part No	Description	Qty	Standard	Comment
1		P100-005390	THROTTLE ASY	1		
2	+	C450-000880	CONTROL, THROTTLE	1		
3	+	C460-000490	LOCKOUT, THROTTLE	1		
4	+	C463-000000	KNOB,LATCH	1		
5	+	V452-001540	SPRING,TORSION	1		
6	+	V452-000060	SPRING,TORSION	1		
7	+	V804-000010	BOLT, TORX 4	3	TT-4*16 DG 10.9	
8	+	V805-000060	BOLT, TORX 5	1	TB-5*35 10.9	
9	+	900500-00005	NUT 5	1	5	
10	+	P100-002600	SWITCH,ON OFF	1		
11		V430-005060	CABLE,BOWDEN	1		
12	+	900502-00006	NUT 6 (3N)	2	3N6	

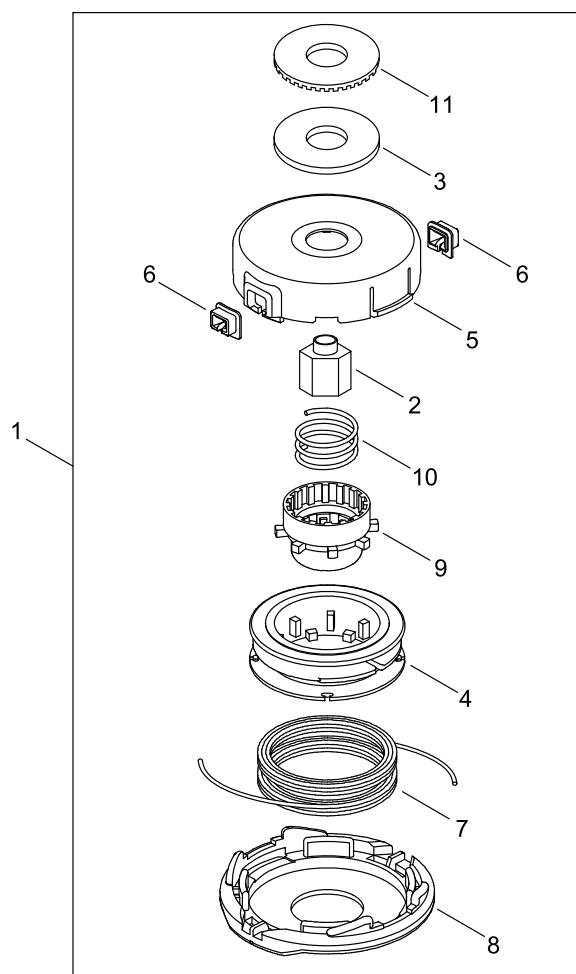
## ACCESSORIES



## ACCESSORIES

KEY NO	LV(+)	Part No	Description	Qty	Standard	Comment
1		X047-000230	CUTTER,ASM LINE	1	DS-5 M10 L	
2		C062-000511	HARNESS, SHOULDER	1		
3	+	P021-041300	HOOK ASSY	1		
4		X602-000020	TOOL,WRENCH	1	17*19 L200	
5		X605-000170	TOOL,L WRENCH	1		
6		X606-000080	TOOL,BAR	1	5*120	
7		X690-000080	GOGGLE	1	SI CHINA, Z87.1	

## NYLON LINE CUTTER



## NYLON LINE CUTTER

KEY NO	LV(+)	Part No	Description	Qty	Standard	Comment
1		X047-000230	CUTTER,ASM LINE	1	DS-5 M10 L	
2	+	P022-010390	NUT	1		
3	+	P022-023160	SPACER	1		
4	+	P022-001180	BOBBIN	1	DS-5/10	
5	+	P022-049850	HOUSING	1		
6	+	P022-000710	EYELET	2	T4	
7	+	P022-006200	NYLON CODE	1	3.0*3M	
8	+	P022-005030	COVER	1		
9	+	P022-019450	TAP KNOB	1		
10	+	P022-001200	SPRING	1	DS-5/10	
11	+	P022-022050	WASHER	1		

# NUMERICAL PARTS INDEX

Part No	Part description	Page	Part No	Part description	Page	Part No	Part description	Page
100012-1-9830	BEARING, NEEDLE	2	130110-1-6430	PIPE, IMPULSE	14	610313-5-2932	FIXTURE, BLADE	20
100014-1-7330	SPACER, PISTON PIN	2	130111-0-0530	CLIP	14	610314-5-2130	PLATE, ADAPTER (L)	20
100142-1-2330	KEY, WOODRUFF	6	131016-5-5830	GASKET, FUEL CAP	14	610320-5-2130	NUT 10	20
100213-0-5530	OILSEAL	4	131300-5-6431	VENT ASSEMBLY, FUEL	14	610352-5-6830	PLATE, CUP	20
123110-0-3930	SCREW, PUMP COVER	12	131328-4-0630	COVER, VENT	14	610434-5-0031	BOLT 8* 8	20
123113-4-7530	SPRING, THR. RTN.	12	131920-6-1830	CUSHION, FUEL TANK	14	610444-5-6830	WASHER	20
123116-0-5960	VALVE, THROTTLE	12	132115-5-5930	GROMMET, FUEL	14	699229-5-6830	PLATE, COVER	20
123122-0-3660	SPRING, METER. LEVER	12	145862-4-0630	SCREEN, MUFFLER	16	890152-0-4930	LABEL, CAUTION	22
123123-0-3930	LEVER, METERING	12	156110-0-4920	BUSHING	4	890617-4-3130	LABEL, CAUTION	22
123125-1-5030	GASKET, FUEL PUMP	12	156114-0-7320	GROMMET	4	900220-0-4006	SCREW 4*6	20
123126-1-0631	SCREEN, INLET	12	159116-2-1231	CLAMP	4	900500-0-0005	NUT 5	24
123127-0-3930	CLIP, THROTTLE SHAFT	12	177228-2-7030	GRIP, STARTER	18	900502-0-0006	NUT 6 (3N)	24
123130-0-2960	SCREW	12	177247-0-4630	SPACER, RATCHET	6	900562-0-0005	NUT, LOCK	20
123133-0-4260	SPRING, IDLE ADJUST	12	224924-5-2930	CLIP	22	900565-0-0005	NUT	18
123134-0-4260	SCREW, IDLE ADJUST	12	301015-0-5330	HOOK, BAND	22	900565-0-0005	NUT	20
123137-1-9830	VALVE, INLET NEEDLE	12	301210-0-4631	HOOK	22	900565-5-0008	NUT	22
123138-0-3930	PIN, METERING LEVER	12	351213-4-7531	GRIP, HANDLE	22	900603-5-0008	WASHER	20
123139-0-3930	SCREW, M. LEVER PIN	12	351312-5-2931	BRACKET, HANDLE (U)	22	900701-0-0012	CIRCLIP 12	8
123140-0-3930	GASKET, M. DIAPHRAGM	12	351313-5-2930	BRACKET, HANDLE (C)	22	900701-0-0012	CIRCLIP 12	20
123142-0-3930	COVER, M. DIAPHRAGM	12	605014-5-4230	WASHER	22	900702-0-0028	CIRCLIP 28	8
123146-1-0631	PLUG, WELCH	12	610011-4-9931	SHAFT, DRIVE	22	900702-0-0028	CIRCLIP 28	20
123149-5-4230	WASHER	12	610300-5-6930	GEAR SET	20	900702-0-0032	CIRCLIP 32	20
123173-0-7930	CLIP	12	610310-5-6933	SHAFT, P.T.O.	20	900702-0-0045	RING, RETAINING (IN)	8
123181-3-9130	PUMP, PRIMER	10	610313-5-2132	FIXTURE, BLADE	20	900720-0-0012	O-RING 12	20

# NUMERICAL PARTS INDEX

Part No	Part description	Page	Part No	Part description	Page	Part No	Part description	Page
900800-0-6001	BEARING, BALL 6001	20	A226-00-1740	ELEMENT, AIR FILTER	10	C423-00-0221	FIXTURE,HANDLE	22
900803-0-6001	BEARING, BALL 6001	20	A227-00-0040	PLATE, ELEMENT	10	C450-00-0880	CONTROL, THROTTLE	24
900807-0-6001	BEARING, BALL 6001	8	A244-00-0290	PLATE, PREVENT	10	C460-00-0490	LOCKOUT, THROTTLE	24
900810-0-0629	BEARING, BALL 629	20	A313-00-1910	GUIDE, EXHAUST	16	C463-00-0000	KNOB,LATCH	24
900812-0-6201	BEARING, BALL 6201	20	A320-00-1000	COVER,MUFFLER	16	C487-00-0410	HOLDER, CABLE	10
900888-3-6201	BEARING, BALL 6201	4	A350-00-2021	TANK, FUEL	14	C550-00-0551	SHIELD,BLADE	20
91316-04-010	SCREW	20	A365-00-0060	CONNECTOR,CAP	14	C552-00-0200	PLATE, SHIELD	20
92105-08-000	NUT, FLANGE	6	A369-00-0001	STRAINER, FUEL	14	C554-00-0030	KNIFE, CORD	20
A011-00-1230	CRANKSHAFT,ASY	2	A393-00-0300	BRACKET,FUEL TANK	18	P003-00-1850	DIAPHRAGM, METERING	12
A021-00-4610	CARBURETOR, DIAPHRAGM	10	A409-00-1210	ROTOR, MAGNETO	6	P003-00-1930	DIAPHRAGM	12
A021-00-4610	CARBURETOR, DIAPHRAGM	12	A411-00-1371	COIL, IGNITION	6	P003-00-2270	NEEDLE	12
A051-00-2630	STARTER,RECOIL ASY	18	A425-00-0000	SPARKPLUG	6	P003-00-2380	SCREW	12
A101-00-0160	RING, PISTON	2	A426-00-0010	TERMINAL, SPARKPLUG	6	P003-00-3930	COVER, FUEL PUMP	12
A130-00-2070	CYLINDER	2	A427-00-0060	CAP,SPARK PLUG	6	P003-00-4460	NEEDLE	12
A160-00-2620	COVER,CYLINDER	2	A429-00-0090	COVER,CAP	6	P003-00-5020	SHAFT ASM THROTTLE	12
A160-00-2631	COVER,CYLINDER	2	A514-00-0280	PAWL	6	P003-00-5460	SWIVEL	12
A172-00-2240	COVER,FAN	18	A552-00-0390	HUB, CLUTCH	8	P021-01-2210	CAP,FUEL ASY	14
A175-00-0331	STAND	14	A556-00-1540	DRUM, CLUTCH	8	P021-04-1300	HOOK ASSY	26
A200-00-0990	INSULATOR, INTAKE	10	A557-00-0190	SHAFT, CLUTCH	8	P021-04-1320	SHIELD ASY, BLADE	20
A202-00-0251	BELLOWS, INTAKE	10	A566-00-0230	SPRING, CLUTCH	8	P021-04-1342	CASE,GEAR	20
A209-00-0720	PLATE, INSULATOR	10	A570-00-0281	CASE,CLUTCH	8	P021-04-1390	PISTON KIT	2
A209-00-0730	PLATE, INSULATOR	10	A580-00-0011	COVER,CLUTCH CASE	8	P021-04-1410	CLEANER CASE ASY	10
A209-00-0740	PLATE, INSULATOR	4	C062-00-0511	HARNESS, SHOULDER	26	P021-04-8950	MAIN PIPE ASY	22
A226-00-0361	ELEMENT, AIR FILTER	10	C423-00-0210	FIXTURE,HANDLE	22	P021-05-0810	SHIELD BLADE ASY	20



# NUMERICAL PARTS INDEX

Part No	Part description	Page	Part No	Part description	Page	Part No	Part description	Page
P022-00-0710	EYELET	28	P100-00-2610	CASE,CLUTCH ASY	8	V453-00-0230	SPRING,FLAT	8
P022-00-1180	BOBBIN	28	P100-00-2620	CLEANER COVER ASY	10	V470-00-0840	PIPE	14
P022-00-1200	SPRING	28	P100-00-2630	CRANKCASE SET	4	V471-00-2310	PIPE	14
P022-00-4680	SPRING, SPIRAL	18	P100-00-5390	THROTTLE ASY	24	V471-00-3950	PIPE	14
P022-00-5030	COVER	28	V100-00-0760	GASKET,CYL	2	V471-00-4040	PIPE	4
P022-00-6200	NYLON CODE	28	V102-00-0250	GASKET, CRANKCASE	4	V471-00-4050	PIPE	10
P022-01-0390	NUT	28	V103-00-0471	GASKET,INTAKE	10	V475-00-7540	TUBE	6
P022-01-9450	TAP KNOB	28	V103-00-1610	GASKET,INTAKE	10	V475-00-7550	TUBE	6
P022-02-2050	WASHER	28	V103-00-1620	GASKET,INTAKE	10	V475-00-7610	TUBE	4
P022-02-3100	ROPE, STARTER	18	V104-00-2020	GASKET,EXHAUST	16	V475-00-7610	TUBE	14
P022-02-3110	SCREW	18	V104-00-2030	GASKET,EXHAUST	16	V485-00-2331	LEAD	6
P022-02-3120	SPRING,DAMPER	18	V104-00-2040	GASKET,EXHAUST	16	V485-00-2570	LEAD	4
P022-02-3140	DRUM, STARTER	18	V186-00-0510	JOINT,PIPE	14	V490-00-1240	CLIP	14
P022-02-3160	SPACER	28	V253-00-0100	SCREW,5	10	V505-00-0020	SEAL,OIL 12	4
P022-03-3830	CAM	18	V263-00-0020	NUT,5	20	V541-00-0540	SEAL	16
P022-03-7550	STARTER CASE	18	V299-00-0110	KNOB,FASTENER	22	V580-00-0010	RING,END	2
P022-04-5770	GUIDE, ROPE	18	V353-00-0630	COLLAR,5	6	V608-00-0000	PIN,ENG 10	2
P022-04-9850	HOUSING	28	V376-00-1980	SPACER	8	V804-00-0010	BOLT, TORX 4	24
P100-00-0070	MUFFLER ASY	16	V420-00-4090	CUSHION	8	V804-00-0030	BOLT, TORX 4	16
P100-00-0080	CLUTCH SHOE SET	8	V430-00-5060	CABLE,BOWDEN	24	V805-00-0060	BOLT, TORX 5	24
P100-00-2560	HANDLE ASY	22	V452-00-0060	SPRING,TORSION	24	V805-00-0100	BOLT, TORX 5	10
P100-00-2570	FIXTURE,ASY HANDLE	22	V452-00-1310	SPRING,TORSION	20	V805-00-0130	BOLT, TORX 5	20
P100-00-2580	HOOK ASY	22	V452-00-1471	SPRING,TORSION	6	V805-00-0140	BOLT, TORX 5	6
P100-00-2600	SWITCH,ON OFF	24	V452-00-1540	SPRING,TORSION	24	V805-00-0140	BOLT, TORX 5	8

## NUMERICAL PARTS INDEX

Part No	Part description	Page	Part No	Part description	Page
V805-00-0140	BOLT, TORX 5	22	X505-00-2310	LABEL,CAUTION	16
V805-00-0150	BOLT, TORX 5	6	X547-00-2290	LABEL,ECHO	2
V805-00-0150	BOLT, TORX 5	18	X602-00-0020	TOOL,WRENCH	26
V805-00-0150	BOLT, TORX 5	20	X605-00-0170	TOOL,L WRENCH	26
V805-00-0170	BOLT, TORX 5	8	X606-00-0080	TOOL,BAR	26
V805-00-0170	BOLT, TORX 5	20	X690-00-0080	GOGGLE	26
V805-00-0170	BOLT, TORX 5	22			
V805-00-0210	BOLT, TORX 5	2			
V805-00-0250	BOLT, TORX 5	16			
V805-00-0260	BOLT, TORX 5	16			
V805-00-0260	BOLT, TORX 5	20			
V805-00-0290	BOLT, TORX 5	4			
V806-00-0050	BOLT, TORX 6	16			
V806-00-0100	BOLT, TORX 6	20			
V835-00-0000	BOLT, TORX 5	2			
V835-00-0000	BOLT, TORX 5	4			
V835-00-0000	BOLT, TORX 5	8			
V835-00-0000	BOLT, TORX 5	14			
V835-00-0010	BOLT, TORX 5	10			
V835-00-0030	BOLT, TORX 5	10			
V835-00-0030	BOLT, TORX 5	18			
X047-00-0230	CUTTER,ASM LINE	26			
X047-00-0230	CUTTER,ASM LINE	28			
X502-00-0900	LABEL,ECHO	18			