



PARTS CATALOG

GRASS-TRIMMER / BRUSHCUTTER

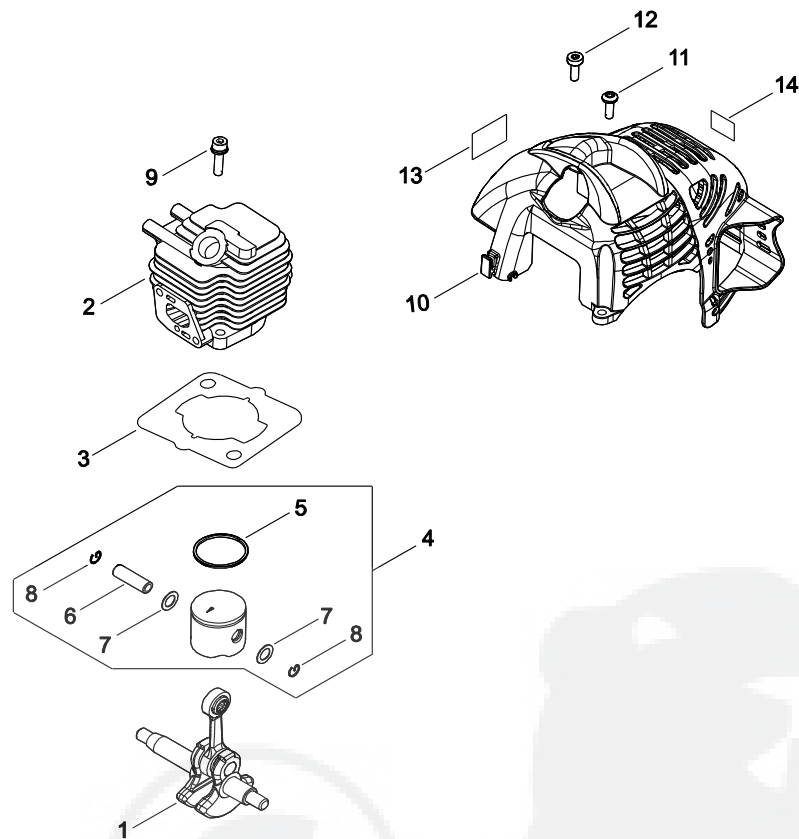
SRM-236ES/L(37)

37004450 -

CE

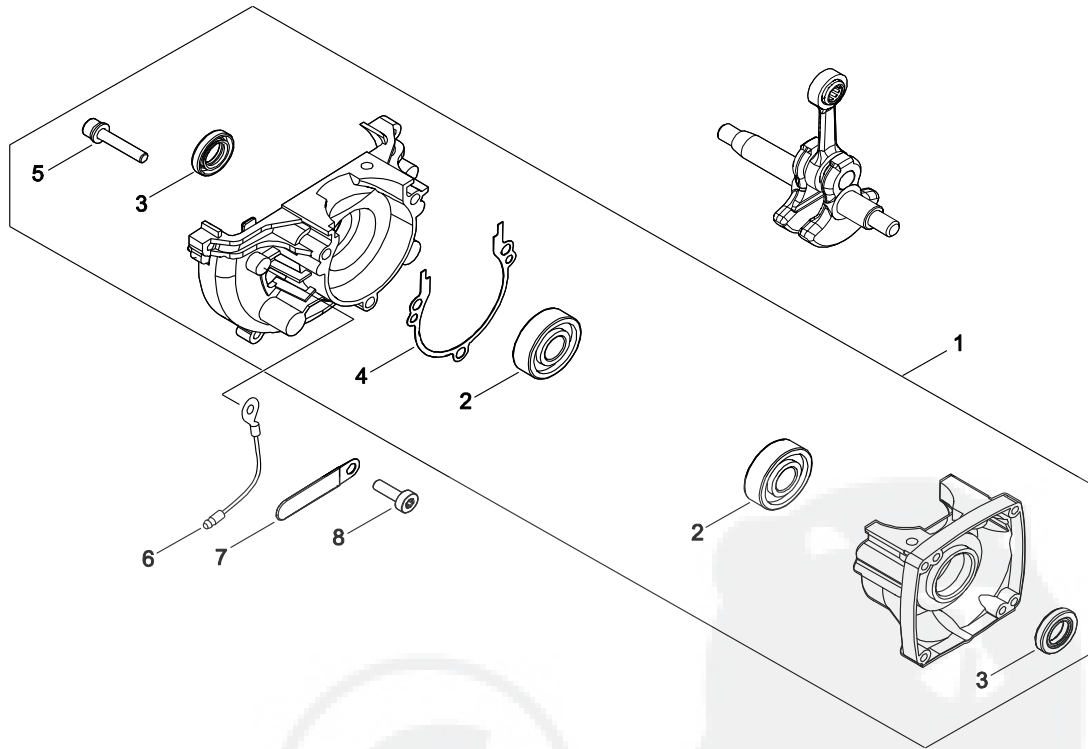
P014-002091-14C

1. CYLINDER, PISTON, CRANKSHAFT



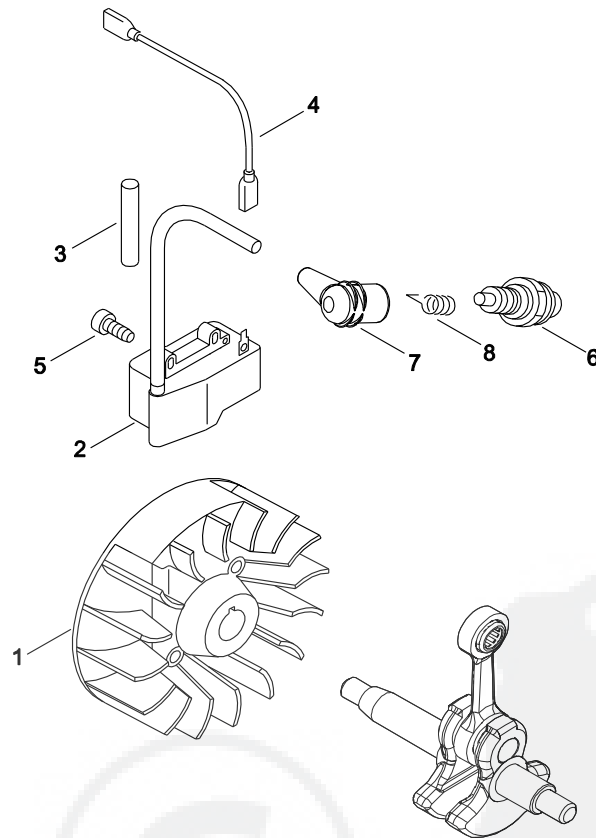
KEY	LV	PART NUMBER	Q'TY	DESCRIPTION	REMARKS	NOTE1	NOTE2
1		A011-000101	1	CRANKSHAFT,ASM			
2		A130-002100	1	CYLINDER			
3		101010-44332	1	GASKET, CYL. BASE			
4		P021-007712	1	PISTON KIT			
5	+	A101-000090	1	RING,PISTON			
6	+	100013-11520	1	PIN, PISTON			
7	+	100014-11520	2	SPACER, PISTON PIN			
8	+	100015-04630	2	CIRCLIP, PISTON PIN			
9		900162-05022	2	BOLT, H.S. 5*22	5*22 W,SW		
10		A160-001090	1	COVER,CYLINDER			
11		V805-000000	1	BOLT, TORX 5	TT-5*16 DG 10.9		
12		V805-000150	1	BOLT, TORX 5	TB-5*16 10.9		
13		X547-002330	1	LABEL,ECHO	ECHO+SRM-236ES		
14		X505-002310	1	LABEL,CAUTION	HOT CAUTION		

2. CRANKCASE



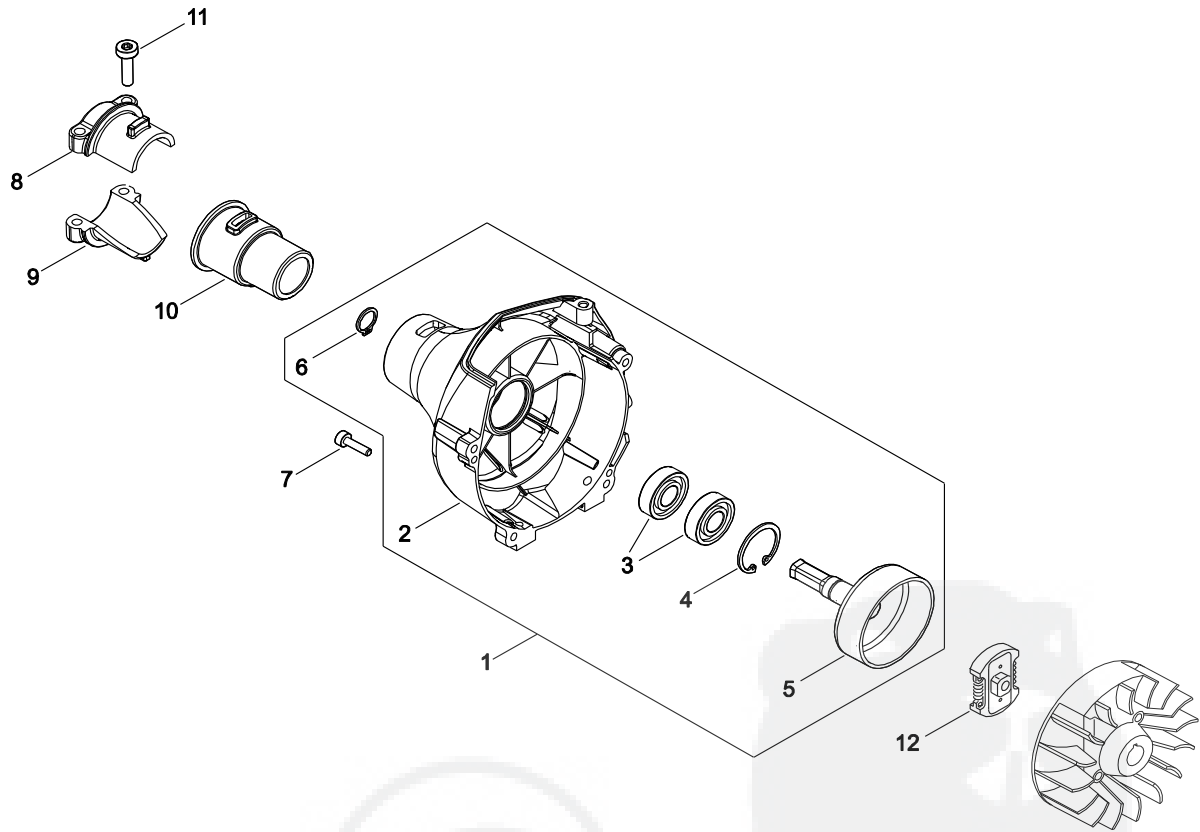
KEY	LV	PART NUMBER	Q'TY	DESCRIPTION	REMARKS	NOTE1	NOTE2
1		100204-52133	1	CRANKCASE KIT			
2	+	94035-36201	2	BEARING BALL	6201X3JR2C3		
3	+	100212-42031	2	OILSEAL	ISCD 12*22*4.5		
4	+	100242-42030	1	GASKET, CRANKCASE			
5	+	900162-05028	3	BOLT, H.S. 5*28	5*28 W,SW		
6		156635-43130	1	LEAD, GROUND			
7		159116-21231	1	CLAMP			
8		V805-000130	1	BOLT, TORX 5	TB-5*10 10.9		

3. MAGNETO



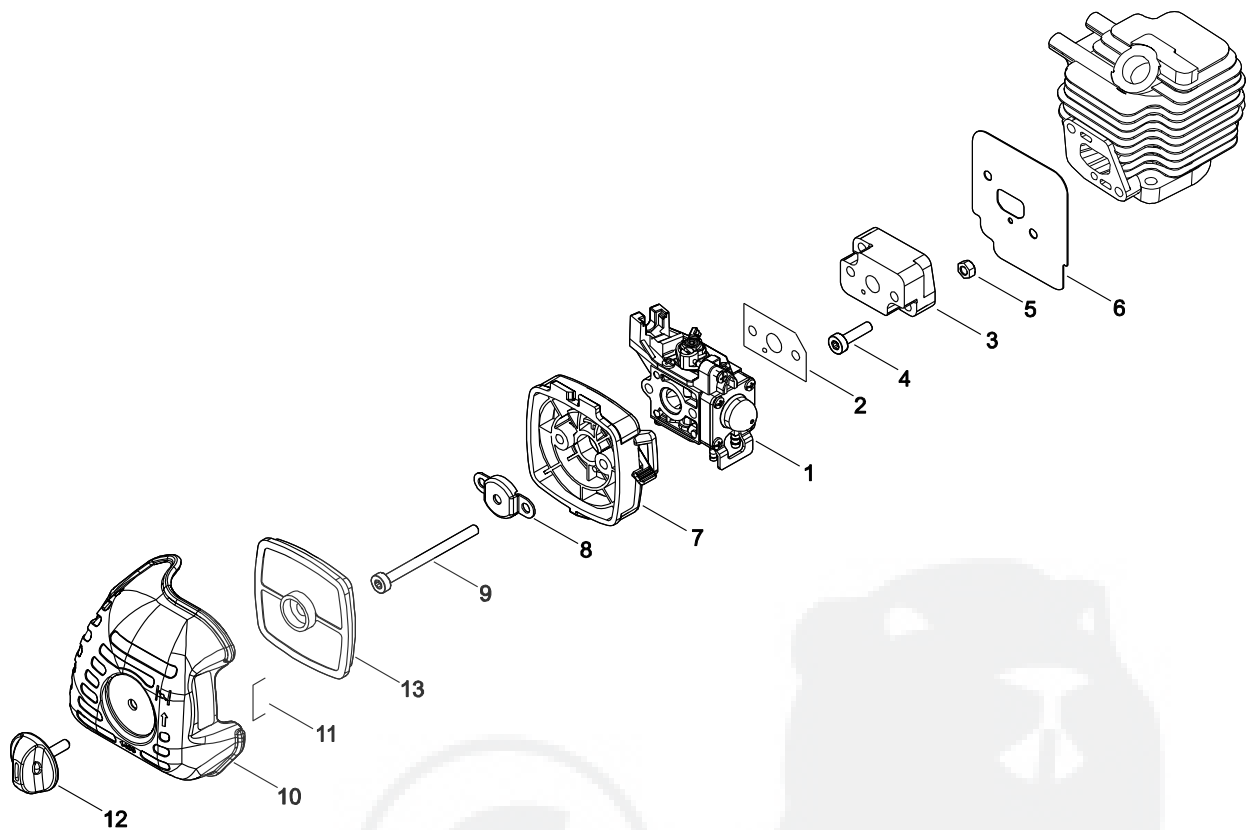
KEY	LV	PART NUMBER	Q'TY	DESCRIPTION	REMARKS	NOTE1	NOTE2
1		A409-000160	1	ROTOR,MAGNETO			
2		A411-000130	1	COIL,IGNITION			
3		V475-007200	1	TUBE	SSG-3Φ8*L65		
4		V485-001120	1	LEAD	L210 #187 CB104		
5		V804-000070	2	BOLT, TORX 4	TB-4*20 12.9		
6		A425-000000	1	SPARKPLUG	BPMR8Y		
7		A427-000013	1	CAP, SPARK PLUG			
8		A426-000010	1	TERMINAL, SPARKPLUG			

4. CLUTCH



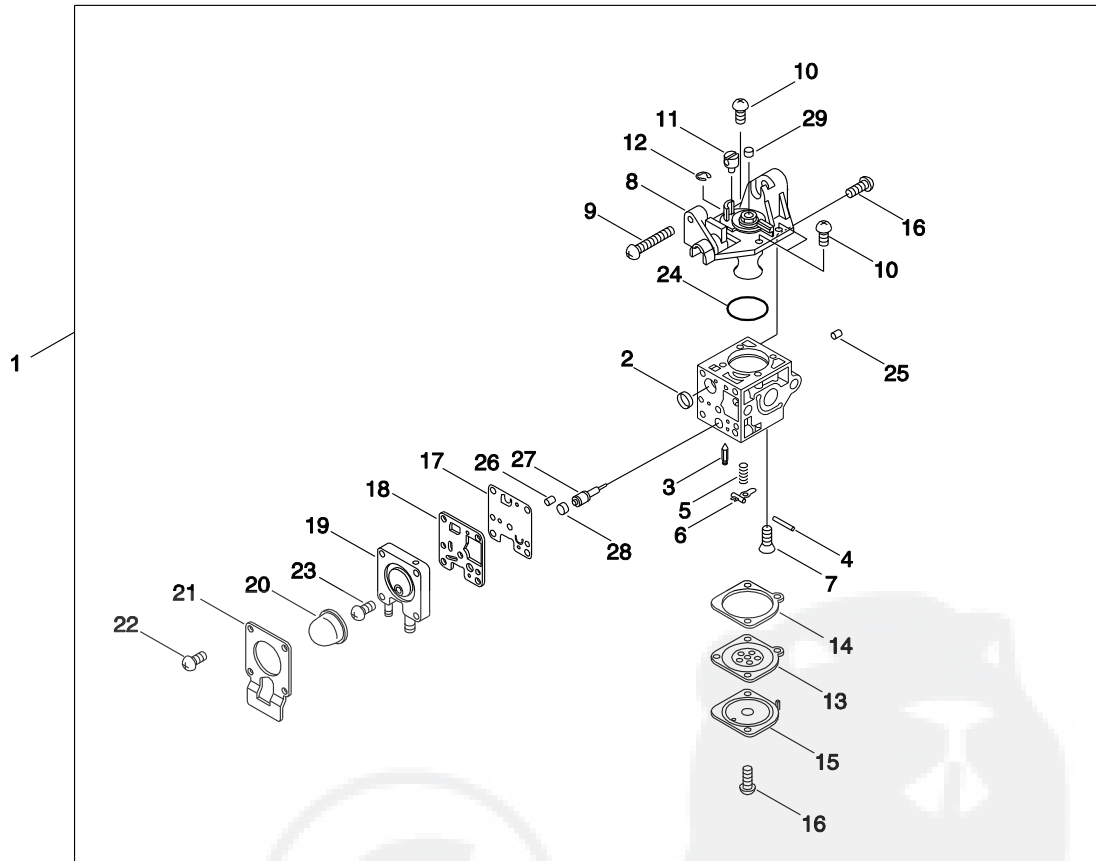
KEY	LV	PART NUMBER	Q'TY	DESCRIPTION	REMARKS	NOTE1	NOTE2
1		P021-016170	1	COVER,FAN ASSY			
2	+	A172-000860	1	COVER,FAN			
3	+	900807-06001	2	BEARING, BALL 6001	6001V(LB)		
4	+	900702-00028	1	CIRCLIP 28	CR-28		
5	+	A556-000530	1	DRUM, CLUTCH			
6	+	900701-00012	1	CIRCLIP 12	CS-12		
7		V804-000060	4	BOLT, TORX 4	TB-4*16 10.9		
8		610922-27432	1	HOLDER			
9		610923-55230	1	HOLDER			
10		610910-55230	1	CUSHION			
11		V805-000160	2	BOLT, TORX 5	TB-5*20 10.9		
12		175000-52734	1	CLUTCH ASY			

5. AIR CLEANER, CARBURETOR



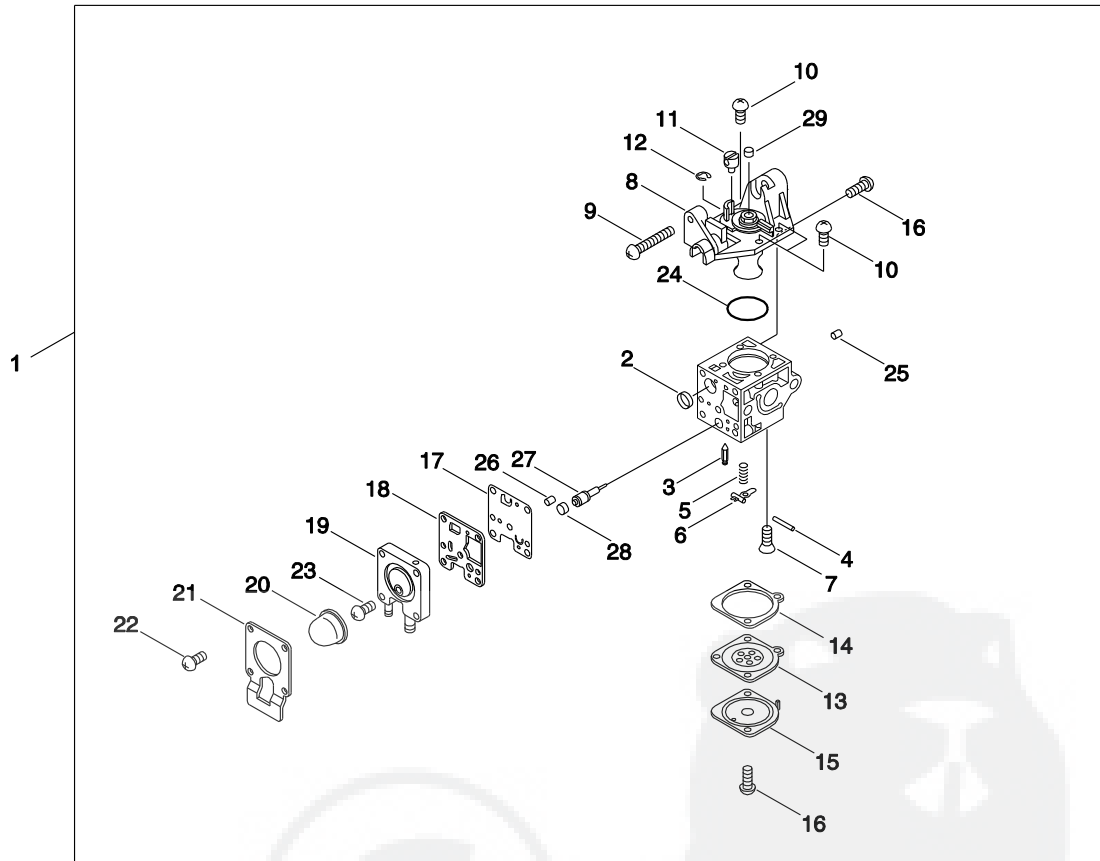
KEY	LV	PART NUMBER	Q'TY	DESCRIPTION	REMARKS	NOTE1	NOTE2
1		A021-003881	1	CARBURETOR,DIAPHRAGM	ZAMA RB-K113		
2		V103-001390	1	GASKET,INTAKE			
3		130017-44331	1	INSULATOR			
4		V805-000160	2	BOLT, TORX 5	TB-5*20 10.9		
5		900500-00005	2	NUT 5	5		
6		V103-001360	1	GASKET,INTAKE			
7		P021-015570	1	CASE, AIR CLEANER			
8		129011-52730	1	PLATE, PREVENT			
9		V805-000100	2	BOLT, TORX 5	TB-5*65 10.9		
10		A232-000480	1	LID,CLEANER			
11		890332-52730	1	LABEL, CHOKE			
12		V299-000250	1	KNOB,FASTENER			
13		A226-001410	1	ELEMENT,AIR FILTER			

6. CARBURETOR



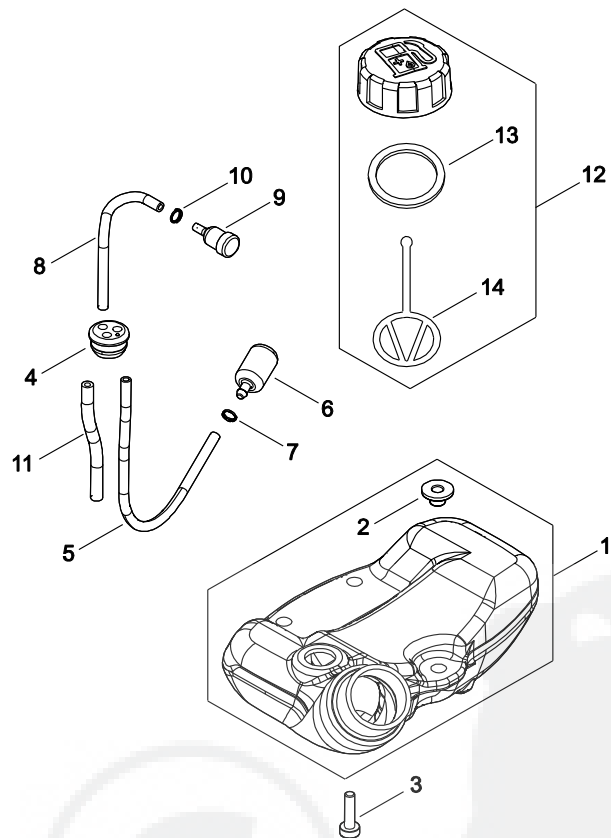
KEY	LV	PART NUMBER	Q'TY	DESCRIPTION	REMARKS	NOTE1	NOTE2
1		A021-003881	1	CARBURETOR,DIAPHRAGM	ZAMA RB-K113		
2	+	P005-000010	1	STRAINER			
3	+	125337-08260	1	VALVE, INLET NEEDLE			
4	+	125338-13930	1	PIN, METERING ARM			
5	+	P005-002430	1	SPRING, MET. LEVER			
6	+	125323-08260	1	ARM, VALVE			
7	+	125339-42030	1	SCREW			
9	+	P005-000100	1	SCREW,THROTTLADJUST			
10	+	125344-13931	3	SCREW			
11	+	P005-001240	1	POST			
12	+	P005-000190	1	E-RING			
13	+	P005-002230	1	DIAPHRAGM METERING			
14	+	P005-000200	1	GASKET, METERING			
15	+	125342-52130	1	COVER, DIAPHRAGM			
16	+	125344-52130	3	SCREW			
17	+	P005-000510	1	DIAPHRAGM, PUMP			
18	+	P005-000520	1	GASKET, PUMP			
19	+	P005-001890	1	BASE, ASY PRIMER			
20	+	P005-003110	1	PUMP, PRIMER			
21	+	P005-000250	1	RETAINER			
22	+	P005-001900	4	SCREW			
23	+	P005-000270	1	SCREW			
24	+	P005-000280	1	O-RING			
25	+	P005-001000	1	ROLLER, GUIDE			
26	+	P005-001250	1	RETAINER,PLUG BALL			

6. CARBURETOR



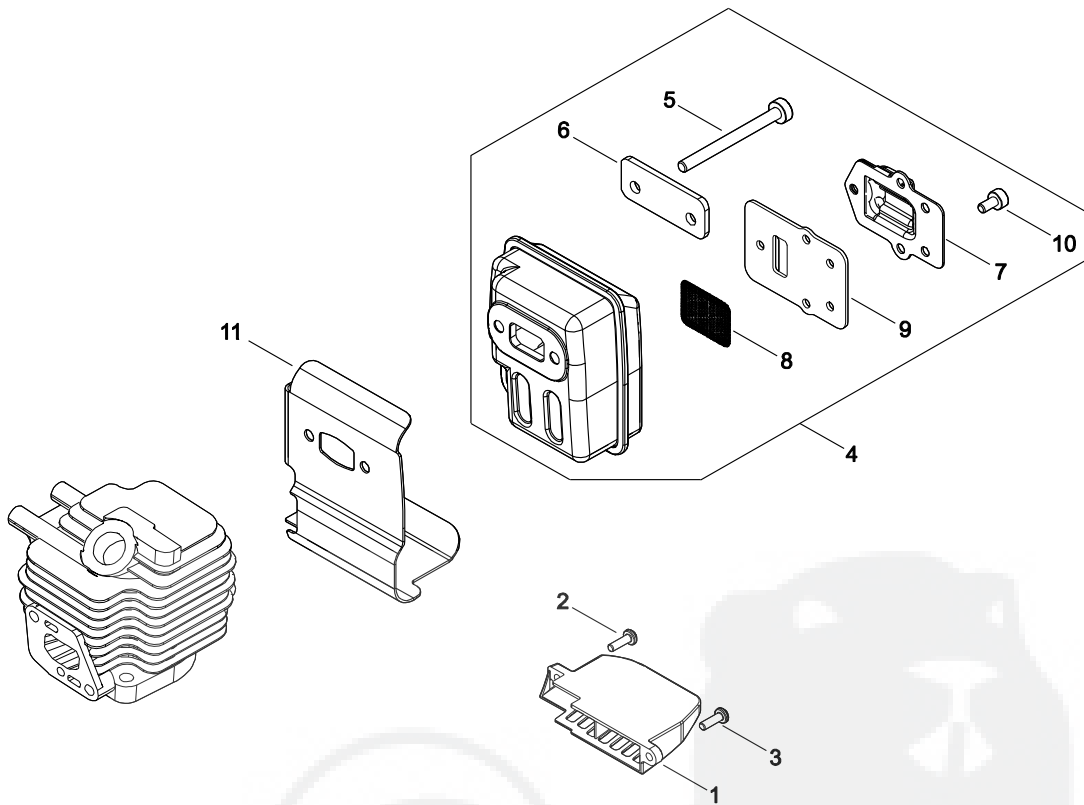
KEY	LV	PART NUMBER	Q'TY	DESCRIPTION	REMARKS	NOTE1	NOTE2
27	+	P005-001260	1	SCREW,MAINN MIXTURE			
28	+	P005-001270	1	PLUG, H AJUST SCREW			
29	+	A259-000010	1	CAP,LIMITER			

7. FUEL TANK



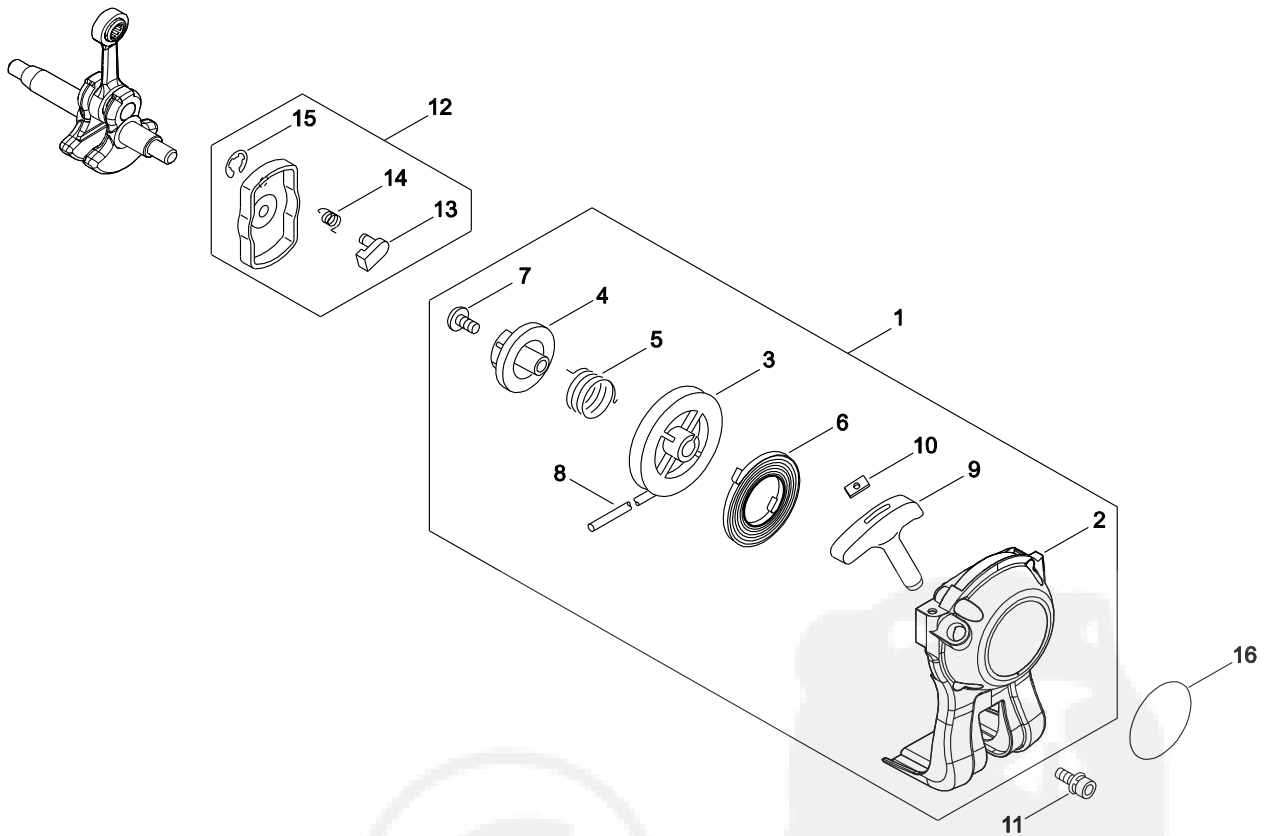
KEY	LV	PART NUMBER	Q'TY	DESCRIPTION	REMARKS	NOTE1	NOTE2
1		A350-000801	1	TANK, FUEL			
2	+	V353-000231	3	COLLAR,5	16*5.5 L6 T2		
3		V805-000160	3	BOLT, TORX 5	TB-5*20 10,9		
4		132115-46730	1	GROMMET, FUEL			
5		V471-001230	1	PIPE	3*5*210 NBR		
6		131205-07321	1	STRAINER, FUEL			
7		V490-001240	1	CLIP			
8		V471-001210	1	PIPE	3*5*90 NBR		
9		A356-000031	1	VALVE,CHECK			
10		V490-001240	1	CLIP			
11		132012-56030	1	PIPE	3*6*80 YL		
12		P021-012210	1	CAP,FUEL ASY			
13	+	131016-55830	1	GASKET, FUEL CAP			
14	+	A365-000060	1	CONNECTOR,CAP	L=123		

8. MUFFLER



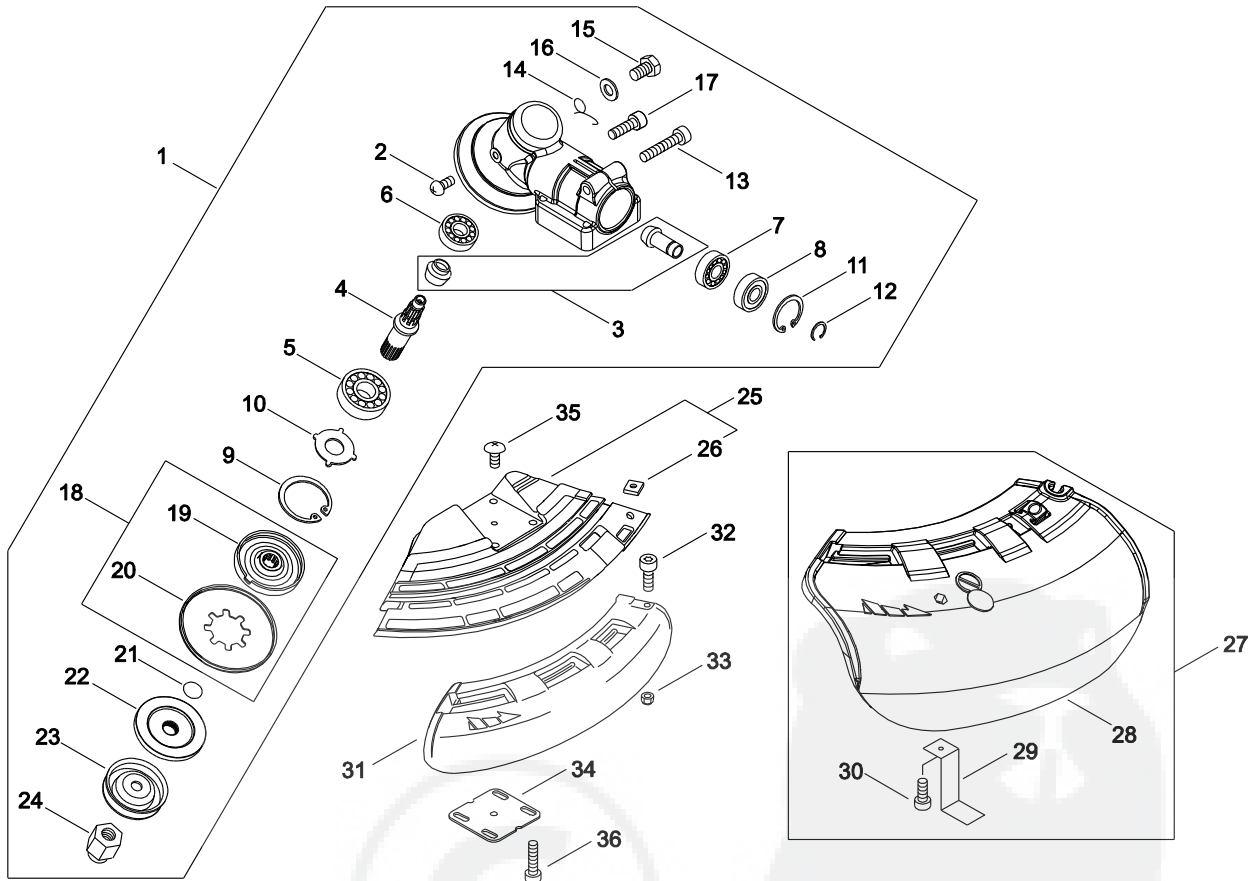
KEY	LV	PART NUMBER	Q'TY	DESCRIPTION	REMARKS	NOTE1	NOTE2
1		A320-000480	1	COVER,MUFFLER			
2		V805-000000	1	BOLT, TORX 5	TT-5*16 DG 10.9		
3		V805-000150	1	BOLT, TORX 5	TB-5*16 10.9		
4		P021-016652	1	MUFFLER ASY			
5	+	V805-000190	2	BOLT, TORX 5	TB-5*55 12.9		
6	+	V150-000371	1	PLATE,EYE			
7	+	A313-000600	1	GUIDE,EXH			
8	+	145862-40630	1	SCREEN, MUFFLER			
9	+	V104-001760	1	GASKET,EXHAUST			
10	+	V804-000030	5	BOLT, TORX 4	TB-4*8 10.9		
11		V104-000850	1	GASKET,EXHAUST	T1.0		

9. RECOIL STARTER, PULLEY



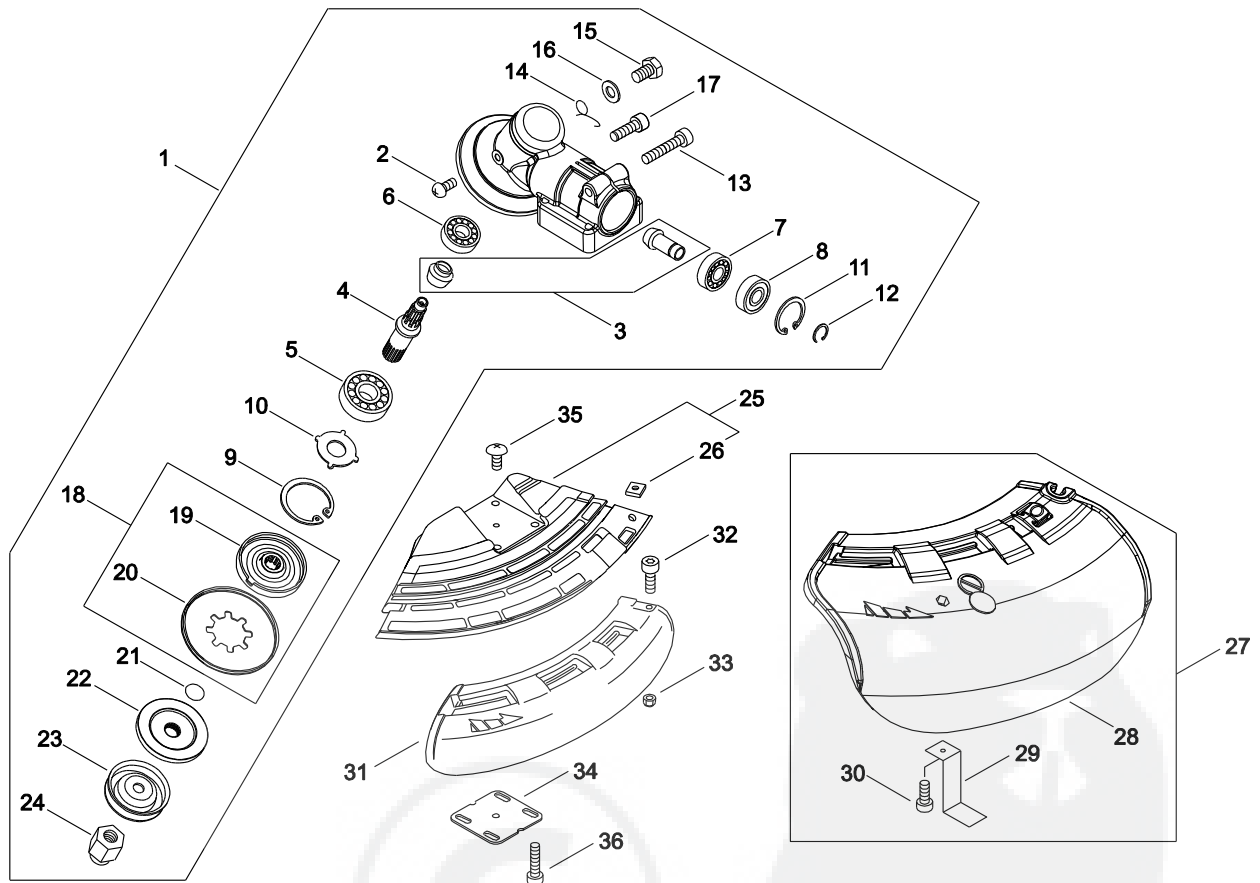
KEY	LV	PART NUMBER	Q'TY	DESCRIPTION	REMARKS	NOTE1	NOTE2
1		A051-001312	1	STARTER,RECOIL ASY			
2	+	P022-036970	1	CASE,STARTER			
3	+	P022-034040	1	DRUM, STARTER			
4	+	P022-034030	1	PLATE, CAM			
5	+	P022-008270	1	SPRING,DAMPER			
6	+	P022-019680	1	SPRING, SPIRAL			
7	+	177236-61830	1	SCREW			
8	+	P022-019990	1	ROPE, STARTER			
9	+	177228-27030	1	GRIP, STARTER			
10	+	P022-037670	1	STOPPER, ROPE			
11		V804-000060	4	BOLT, TORX 4	TB-4*16 10.9		
12		A052-000180	1	PULLEY,ASM STARTER			
13	+	P022-006850	2	PAWL, STARTER			
14	+	P022-006510	2	SPRING, RETURN			
15	+	P022-002100	1	E-RING	4		
16		X502-000890	1	LABEL,ECHO			

10. GEAR CASE, SHIELD



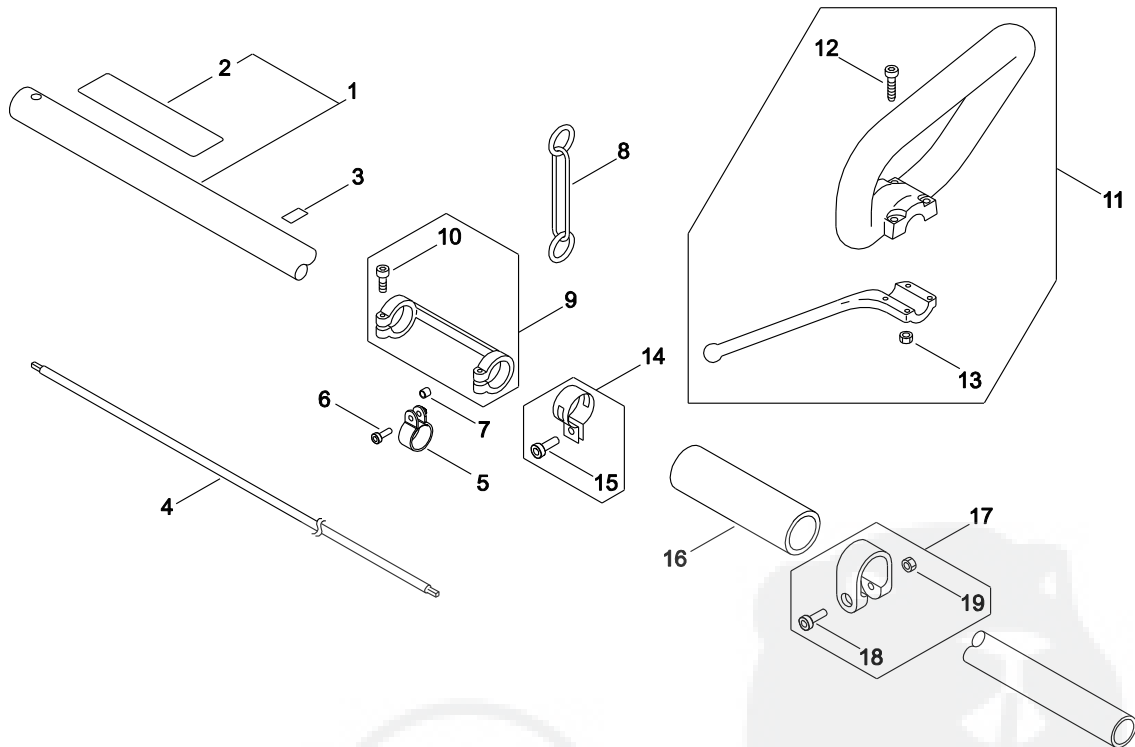
KEY	LV	PART NUMBER	QTY	DESCRIPTION	REMARKS	NOTE1	NOTE2
1		P021-048740	1	CASE, GEAR			
2	+	900220-04006	1	SCREW 4*6	4*6		
3	+	610300-40830	1	GEAR SET			
4	+	610310-56832	1	SHAFT, P.T.O.	12*10*1		
5	+	900812-06201	1	BEARING, BALL 6201			
6	+	94060-00626	1	BEARING, BALL			
7	+	94060-06900	1	BEARING BALL	WEAPON BB6900		
8	+	94063-06900	1	BEARING BALL	WEAPON BB6900Z		
9	+	900702-00032	1	CIRCLIP 32	CR-32		
10	+	610444-56830	1	WASHER			
11	+	900702-00022	1	CIRCLIP 22	CR-22		
12	+	900706-00010	1	CIRCLIP 10	WR-10		
13	+	V806-000020	1	BOLT, TORX 6	TB-6*25 10.9		
14	+	V452-001310	1	SPRING, TORSION			
15	+	610434-50031	1	BOLT 8*8	M8*8		
16	+	900603-50008	1	WASHER	8.5*18*0.8T		
17	+	V805-000130	1	BOLT, TORX 5	TB-5*10 10.9		
18	+	610313-52932	1	FIXTURE, BLADE			
19	++	610313-52132	1	FIXTURE, BLADE			
20	++	610352-56830	1	PLATE, CUP			
21	+	900720-00012	1	O-RING 12	P-12		
22	+	610314-52130	1	PLATE, ADAPTER (L)			
23	+	699229-56830	1	PLATE, COVER			
24	+	610320-52130	1	NUT 10			

10. GEAR CASE, SHIELD



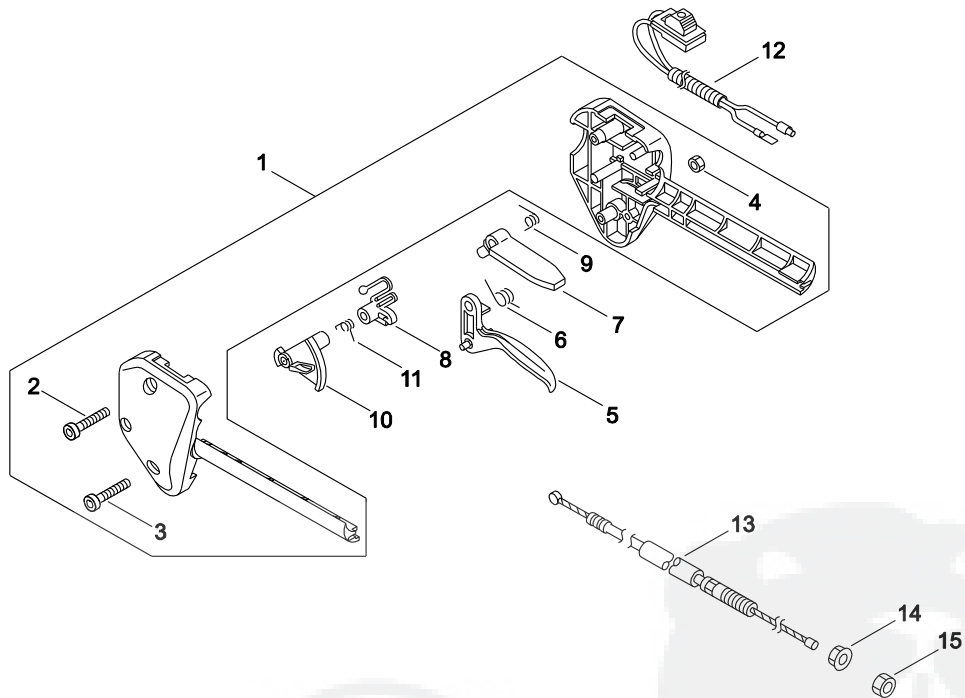
KEY	LV	PART NUMBER	QTY	DESCRIPTION	REMARKS	NOTE1	NOTE2
25		C550-000511	1	SHIELD, BLADE			
26	+	900565-00005	1	NUT	5		
27			1	SHIELD BLADE(W/KNIFE			
28	+	C550-000570	1	SHIELD, BLADE			
29	+	C554-000001	1	KNIFE, CORD			
30	+	V805-000150	1	BOLT, TORX 5	TB-5*16 10.9		
31		C550-000551	1	SHIELD, BLADE			
32		V805-000170	1	BOLT, TORX 5	TB-5*25 10.9		
33		900562-00005	1	NUT, LOCK	5		
34		C552-000200	1	PLATE, SHIELD			
35		91316-04010	1	SCREW	M4*10		
36		V805-000260	4	BOLT, TORX 5	TB5*25 10.9		

11. MAIN PIPE, HANDLE



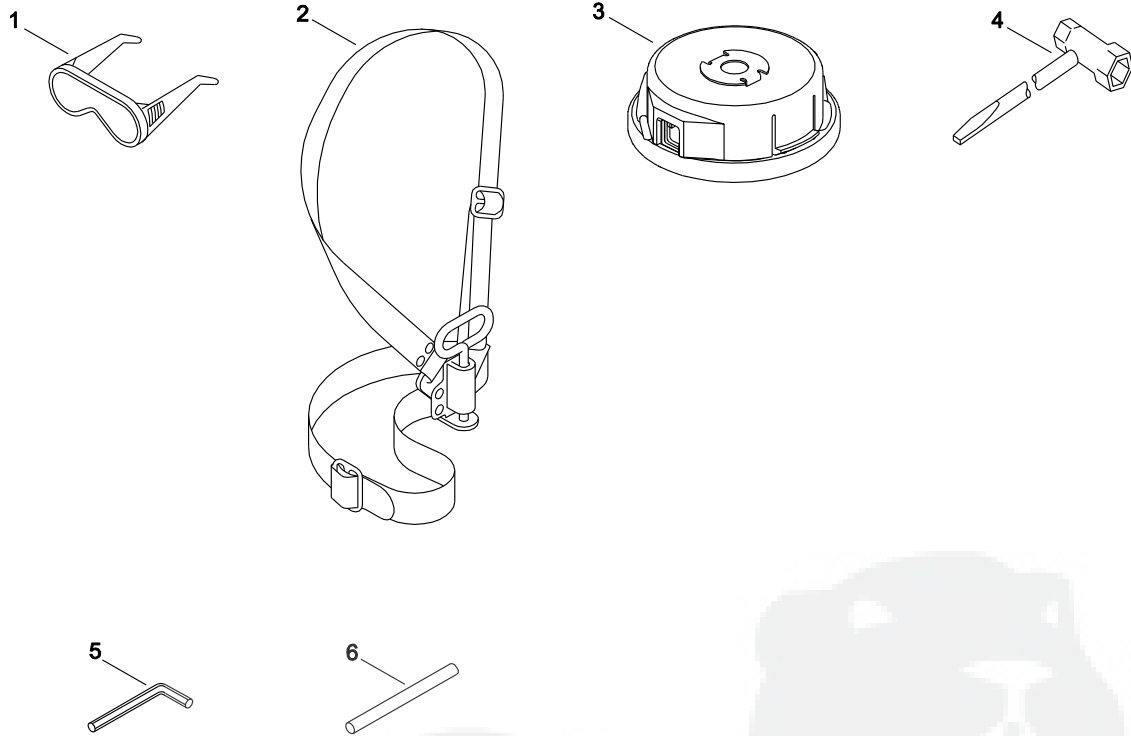
KEY	LV	PART NUMBER	Q'TY	DESCRIPTION	REMARKS	NOTE1	NOTE2
1		P021-043710	1	MAIN PIPE ASY	SRM-2305/U(26)		
2	+	890617-43130	1	LABEL, CAUTION			
3		890152-04930	1	LABEL, CAUTION			
4		610018-27830	1	SHAFT, DRIVE			
5		301207-08930	1	HOOK			
6		V805-000150	1	BOLT, TORX 5	TB-5*16 10.9		
7		699012-03330	1	SPACER			
8		301305-24330	1	LINK			
9		P021-041020	1	COLLER			
10	+	V804-000020	2	BOLT, TORX 4	TT-4*20 DG 10.9		
11		P021-016180	1	FRONT HANDLE ASY			
12	+	V805-000050	4	BOLT, TORX 5	TB-5*30 10.9		
13	+	900500-00005	4	NUT 5	5		
14		P021-036130	1	BAND	SRM-235ES		
15	+	V805-000140	1	BOLT, TORX 5	TB-5*12 10.9		
16		C403-000140	1	GRIP, HANDLE	L129.5*28		
17		P021-016200	1	BAND 25			
18	+	V805-000170	1	BOLT, TORX 5	TB-5*25 10.9		
19	+	900500-00005	1	NUT 5	5		

12. THROTTLE



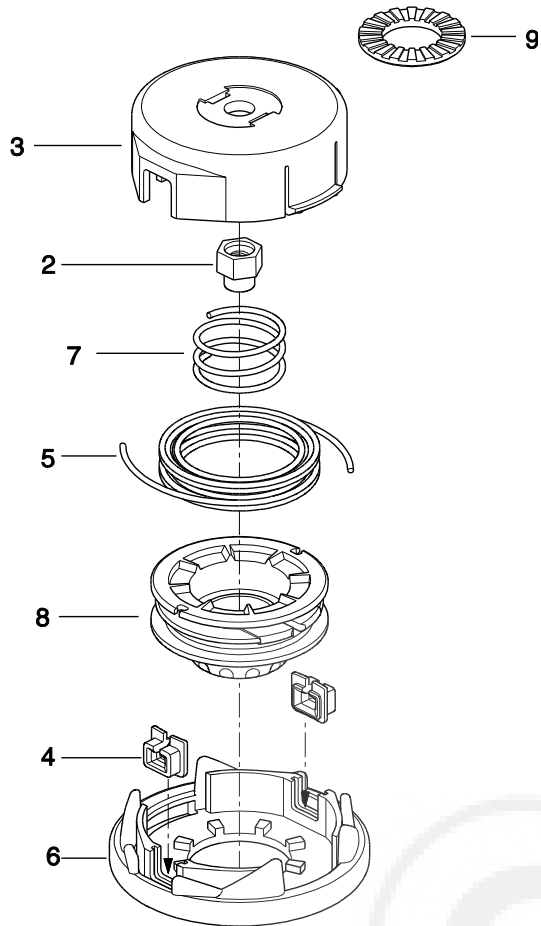
KEY	LV	PART NUMBER	Q'TY	DESCRIPTION	REMARKS	NOTE1	NOTE2
1		P021-016190	1	BRACKET SET, THROTTLE			
2	+	V805-000060	1	BOLT, TORX 5	TB-5*35 10.9		
3	+	V805-000170	1	BOLT, TORX 5	TB-5*25 10.9		
4	+	900500-00005	2	NUT 5	5		
5		C450-000110	1	TRIGGER, THROTTLE			
6		178043-42230	1	SPRING, THR. RETURN			
7		178090-52632	1	LOCKOUT, T. CONTROL			
8		C461-000000	1	LATCH, THROTTLE			
9		178013-52630	1	SPRING, THR. LOCK			
10		C461-000010	1	LATCH, THROTTLE			
11		V452-000120	1	SPRING, TORSION			
12		A440-001240	1	SWITCH, ON OFF			
13		V430-002290	1	CABLE, BOWDEN	330+61		
14		900518-00006	1	NUT, FLANGE	6		
15		900502-00006	1	NUT 6 (3N)	3N6		

13. ACCESSORIES



KEY	LV	PART NUMBER	Q'TY	DESCRIPTION	REMARKS	NOTE1	NOTE2
1		X690-000080	1	GOGGLE	SI CHINA, Z87.1		
2		301001-46731	1	HARNESS, SHOULDER	L1910,L1550		
3		X047-000270	1	CUTTER,ASM LINE	F4/10 M10L		
4		X602-000020	1	TOOL,WRENCH	17*19 L200		
5		X605-000170	1	TOOL,L WRENCH			
6		X606-000080	1	TOOL,BAR	5*120		

14. NYLON LINE CUTTER



KEY	LV	PART NUMBER	QTY	DESCRIPTION	REMARKS	NOTE1	NOTE2
		X047-000270	1	CUTTER,ASM LINE	F4/10 M10L		
2	+	P022-001220	1	NUT			
3	+	P022-003310	1	HOUSING			
4	+	P022-000710	2	EYELET			
5	+	P022-006190	1	NYLON CODE	3.0*2M		
6	+	P022-003330	1	COVER			
7	+	P022-001250	1	SPRING	DS-3/10		
8	+	P022-001260	1	BOBBIN	DS-3/10		
9	+	V332-000000	1	WASHER,CIRCULAR 24			

Index

Patrs Number	Key No.	Patrs Number	Key No.	Patrs Number	Key No.
100013-11520	1 - 6	890617-43130	11 - 2	A556-000530	4 - 5
100014-11520	1 - 7	900162-05022	1 - 9	C403-000140	11 - 16
100015-04630	1 - 8	900162-05028	2 - 5	C450-000110	12 - 5
100204-52133	2 - 1	900220-04006	10 - 2	C461-000000	12 - 8
100212-42031	2 - 3	900500-00005	5 - 5	C461-000010	12 - 10
100242-42030	2 - 4	900500-00005	11 - 13	C550-000511	10 - 25
101010-44332	1 - 3	900500-00005	11 - 19	C550-000551	10 - 31
125323-08260	6 - 6	900500-00005	12 - 4	C550-000570	10 - 28
125337-08260	6 - 3	900502-00006	12 - 15	C552-000200	10 - 34
125338-13930	6 - 4	900518-00006	12 - 14	C554-000001	10 - 29
125339-42030	6 - 7	900562-00005	10 - 33	P005-000010	6 - 2
125342-52130	6 - 15	900565-00005	10 - 26	P005-000100	6 - 9
125344-13931	6 - 10	900603-50008	10 - 16	P005-000190	6 - 12
125344-52130	6 - 16	900701-00012	4 - 6	P005-000200	6 - 14
129011-52730	5 - 8	900702-00022	10 - 11	P005-000250	6 - 21
130017-44331	5 - 3	900702-00028	4 - 4	P005-000270	6 - 23
131016-55830	7 - 13	900702-00032	10 - 9	P005-000280	6 - 24
131205-07321	7 - 6	900706-00010	10 - 12	P005-000510	6 - 17
132012-56030	7 - 11	900720-00012	10 - 21	P005-000520	6 - 18
132115-46730	7 - 4	900807-06001	4 - 3	P005-001000	6 - 25
145862-40630	8 - 8	900812-06201	10 - 5	P005-001240	6 - 11
156635-43130	2 - 6	91316-04010	10 - 35	P005-001250	6 - 26
159116-21231	2 - 7	94035-36201	2 - 2	P005-001260	6 - 27
175000-52734	4 - 12	94060-00626	10 - 6	P005-001270	6 - 28
177228-27030	9 - 9	94060-06900	10 - 7	P005-001890	6 - 19
177236-61830	9 - 7	94063-06900	10 - 8	P005-001900	6 - 22
178013-52630	12 - 9	A011-000101	1 - 1	P005-002230	6 - 13
178043-42230	12 - 6	A021-003881	5 - 1	P005-002430	6 - 5
178090-52632	12 - 7	A021-003881	6 - 1	P005-003110	6 - 20
301001-46731	13 - 2	A051-001312	9 - 1	P021-007712	1 - 4
301207-08930	11 - 5	A052-000180	9 - 12	P021-012210	7 - 12
301305-24330	11 - 8	A101-000090	1 - 5	P021-015570	5 - 7
610018-27830	11 - 4	A130-002100	1 - 2	P021-016170	4 - 1
610300-40830	10 - 3	A160-001090	1 - 10	P021-016180	11 - 11
610310-56832	10 - 4	A172-000860	4 - 2	P021-016190	12 - 1
610313-52132	10 - 19	A226-001410	5 - 13	P021-016200	11 - 17
610313-52932	10 - 18	A232-000480	5 - 10	P021-016652	8 - 4
610314-52130	10 - 22	A259-000010	6 - 29	P021-036130	11 - 14
610320-52130	10 - 24	A313-000600	8 - 7	P021-041020	11 - 9
610352-56830	10 - 20	A320-000480	8 - 1	P021-043710	11 - 1
610434-50031	10 - 15	A350-000801	7 - 1	P021-048740	10 - 1
610444-56830	10 - 10	A356-000031	7 - 9	P022-000710	14 - 4
610910-55230	4 - 10	A365-000060	7 - 14	P022-001220	14 - 2
610922-27432	4 - 8	A409-000160	3 - 1	P022-001250	14 - 7
610923-55230	4 - 9	A411-000130	3 - 2	P022-001260	14 - 8
699012-03330	11 - 7	A425-000000	3 - 6	P022-002100	9 - 15
699229-56830	10 - 23	A426-000010	3 - 8	P022-003310	14 - 3
890152-04930	11 - 3	A427-000013	3 - 7	P022-003330	14 - 6
890332-52730	5 - 11	A440-001240	12 - 12	P022-006190	14 - 5

Index

Patrs Number	Key No.	Patrs Number	Key No.	Patrs Number	Key No.
P022-006510	9 - 14	V805-000190	8 - 5		
P022-006850	9 - 13	V805-000260	10 - 36		
P022-008270	9 - 5	V806-000020	10 - 13		
P022-019680	9 - 6	X047-000270	13 - 3		
P022-019990	9 - 8	X047-000270	14 -		
P022-034030	9 - 4	X502-000890	9 - 16		
P022-034040	9 - 3	X505-002310	1 - 14		
P022-036970	9 - 2	X547-002330	1 - 13		
P022-037670	9 - 10	X602-000020	13 - 4		
V103-001360	5 - 6	X605-000170	13 - 5		
V103-001390	5 - 2	X606-000080	13 - 6		
V104-000850	8 - 11	X690-000080	13 - 1		
V104-001760	8 - 9				
V150-000371	8 - 6				
V299-000250	5 - 12				
V332-000000	14 - 9				
V353-000231	7 - 2				
V430-002290	12 - 13				
V452-000120	12 - 11				
V452-001310	10 - 14				
V471-001210	7 - 8				
V471-001230	7 - 5				
V475-007200	3 - 3				
V485-001120	3 - 4				
V490-001240	7 - 7				
V490-001240	7 - 10				
V804-000020	11 - 10				
V804-000030	8 - 10				
V804-000060	4 - 7				
V804-000060	9 - 11				
V804-000070	3 - 5				
V805-000000	1 - 11				
V805-000000	8 - 2				
V805-000050	11 - 12				
V805-000060	12 - 2				
V805-000100	5 - 9				
V805-000130	2 - 8				
V805-000130	10 - 17				
V805-000140	11 - 15				
V805-000150	1 - 12				
V805-000150	8 - 3				
V805-000150	10 - 30				
V805-000150	11 - 6				
V805-000160	4 - 11				
V805-000160	5 - 4				
V805-000160	7 - 3				
V805-000170	10 - 32				
V805-000170	11 - 18				
V805-000170	12 - 3				

YAMABIKO CORPORATION

7-2 SUEHIROCHO 1-CHOME, OHME, TOKYO 198-8760, JAPAN
PHONE: 81-428-32-6118. FAX: 81-428-32-6145.



ECHO®

-14C
No. 04-400