



PARTS CATALOG

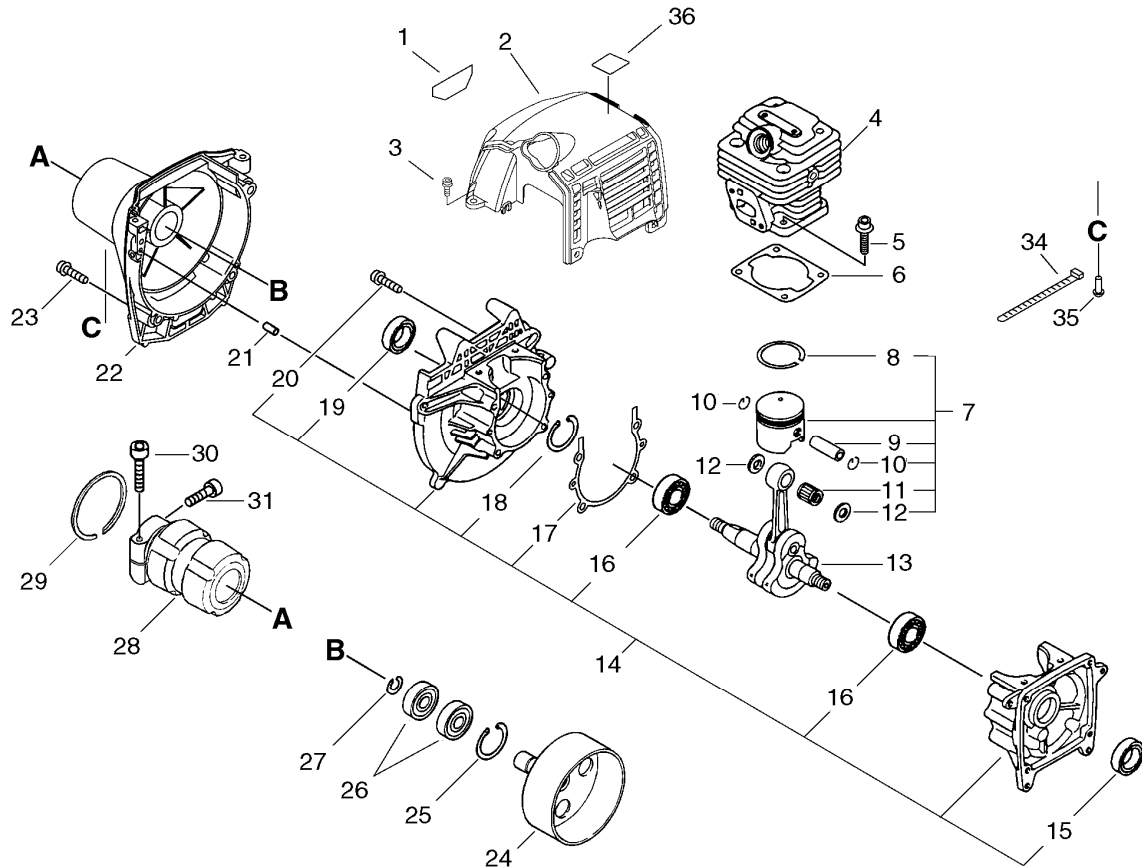
GRASS-TRIMMER / BRUSHCUTTER

SRM-335TES/U(37)

37000001 -

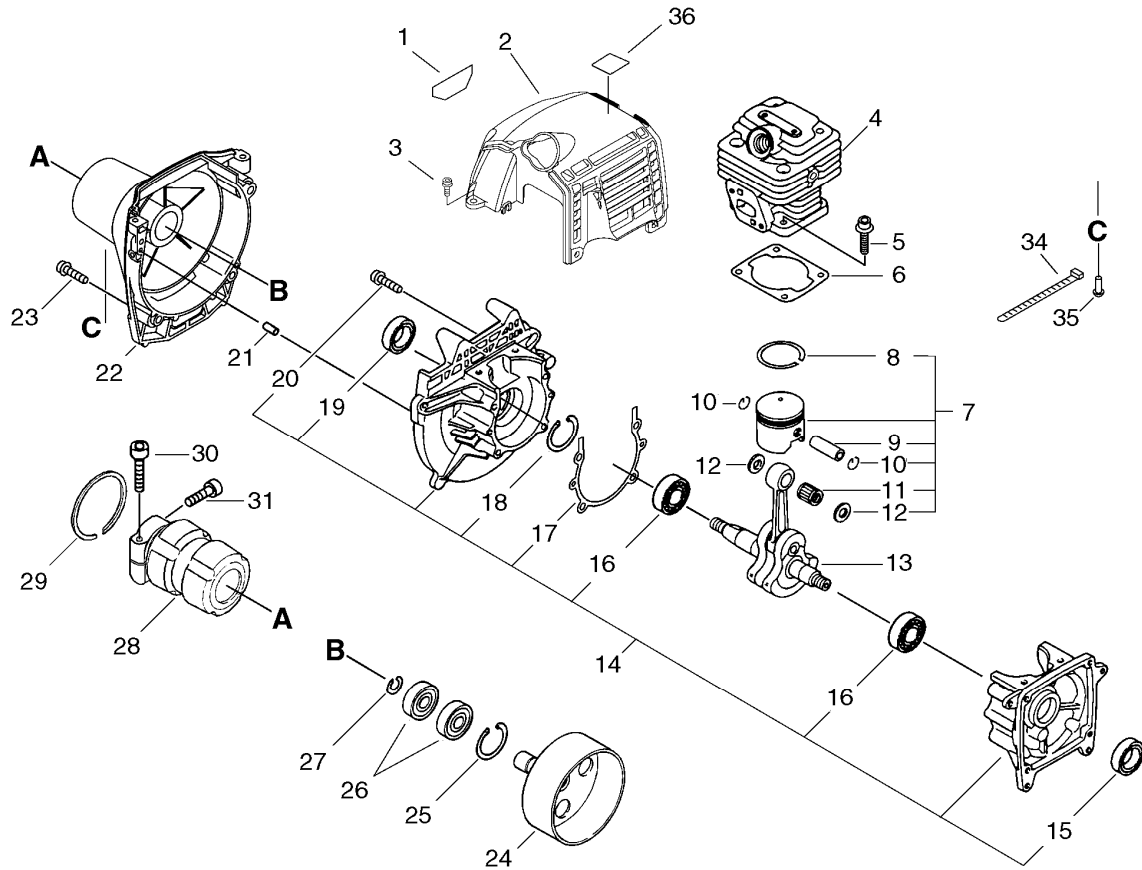
P014-001570-11Hb

1. CYLINDER, CRANKCASE, PISTON



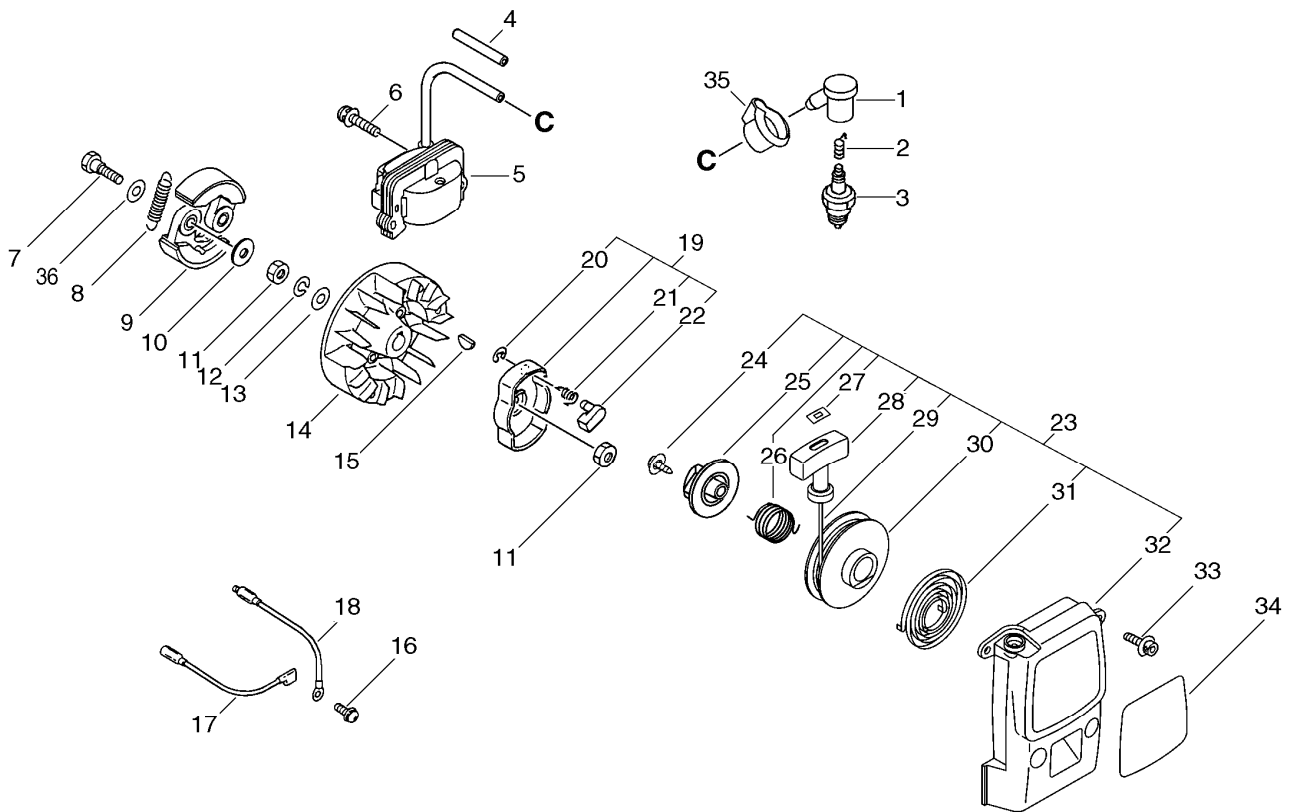
KEY	LV	PART NUMBER	Q'TY	DESCRIPTION	REMARKS	NOTE1	NOTE2
1		X547-002110	1	LABEL,ECHO	ECHO SRM-335TES		
2		A160-000990	1	COVER,CYLINDER			
3		91121-05012	2	BOLT, FLANGE	10.9 SILVER		
4		A130-000850	1	CYLINDER			
5		V203-000170	4	BOLT,5	5*22		
6		V100-000240	1	GASKET,CYL	T:0.5		
7		P021-037520	1	PISTON KIT			
8	+	A101-000190	1	RING, PISTON	36*1.5*1.5		
9	+	100013-27430	1	PIN, PISTON			
10	+	100015-03931	2	CIRCLIP, PISTON PIN			
11	+	100012-16131	1	BEARING, NEEDLE			
12	+	100014-53630	2	SPACER, PISTON PIN			
13		A011-000301	1	CRANKSHAFT,ASM			
14		P021-014020	1	CRANKCASE KIT			
15	+	V505-000020	1	SEAL,OIL 12	12*22*7		
16	+	94035-36201	2	BEARING BALL	6201X3JR2C3		
17	+	V102-000040	1	GASKET,CRANKCASE	T:0.5		
18	+	900702-00032	1	CIRCLIP 32	CR-32		
19	+	100212-03930	1	OILSEAL	ISCX12*32*5.5		
20	+	V203-000160	4	BOLT,5	5*30		
21		100215-03930	2	PIN, DOWEL			
22		A172-000780	1	COVER,FAN			
23		91118-05020	4	BOLT	CM-5*20		
24		A556-000270	1	DRUM,CLUTCH			

1. CYLINDER, CRANKCASE, PISTON



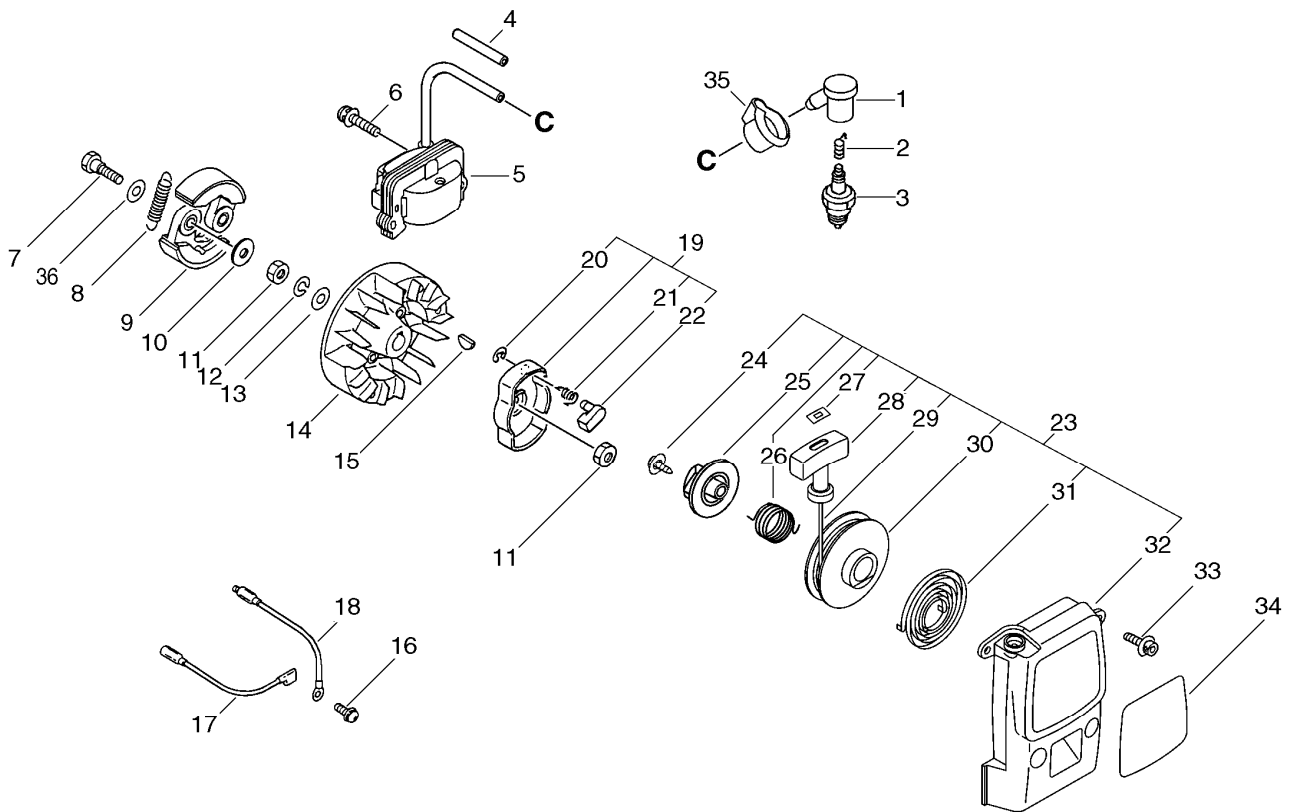
KEY	LV	PART NUMBER	Q'TY	DESCRIPTION	REMARKS	NOTE1	NOTE2
25		900702-00028	1	CIRCLIP 28	CR-28		
26		900807-06001	2	BEARING, BALL 6001	6001V(LB)		
27		900701-00012	1	CIRCLIP 12	CS-12		
28		V420-000970	1	CUSHION			
29		900702-00045	1	RING, RETAINING(IN)	CR-45		
30		91118-05028	1	BOLT	CM-5*28		
31		91118-05012	1	BOLT	CM-5*12		
34		V495-000760	1	BAND	CV-250A		
35		302013-10910	1	RIVET			
36		X505-002310	1	LABEL,CAUTION	HOT CAUTION		

2. STARTER, MAGNETO



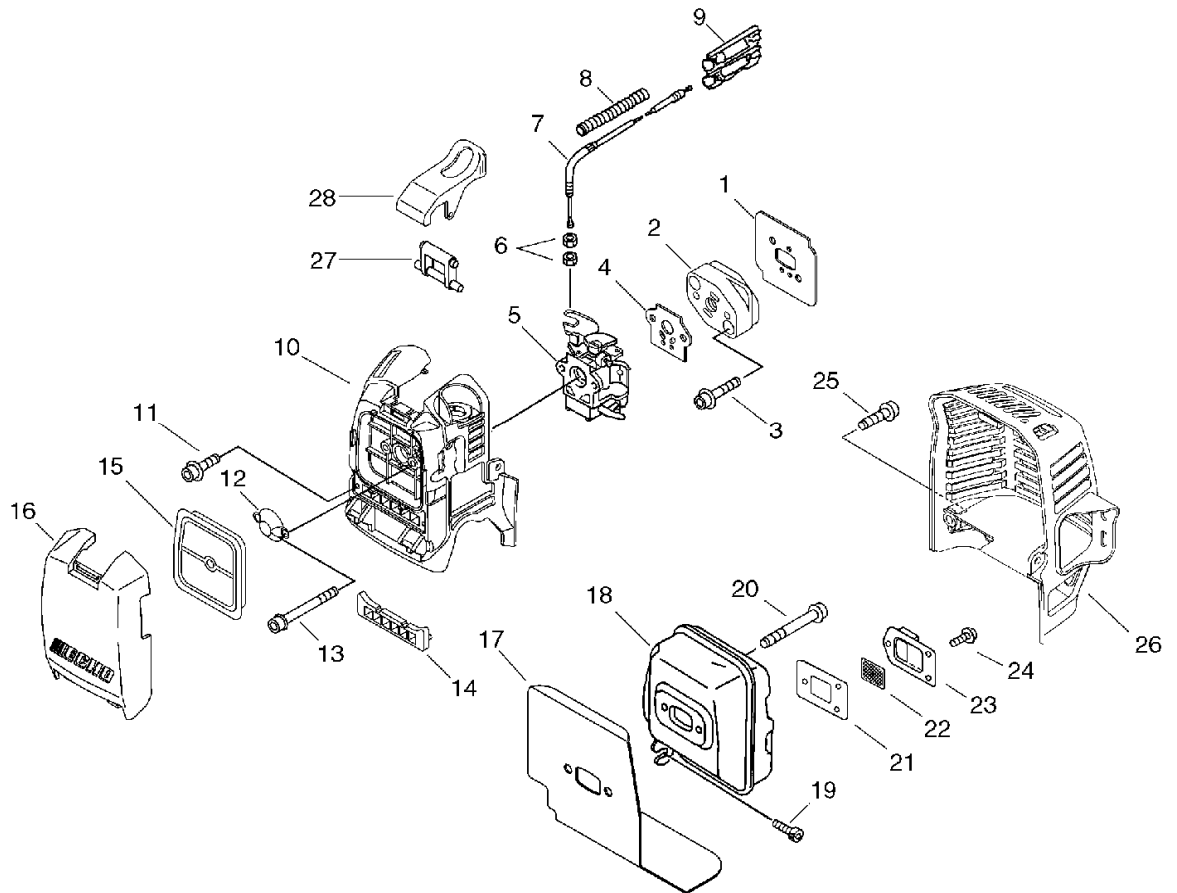
KEY	LV	PART NUMBER	Q'TY	DESCRIPTION	REMARKS	NOTE1	NOTE2
1		A427-000000	1	CAP, SPARK PLUG			
2		A426-000000	1	TERMINAL, SPARKPLUG			
3		A425-000000	1	SPARKPLUG	BPMR8Y		
4		437412-16430	1	TUBE, PROTECTOR			
5		152626-55730	1	COIL, IGNITION			
6		900162-05020	2	BOLT, H.S. 5*20	5*20 W,SW		
7		A557-000150	2	SHAFT, CLUTCH			
8		A566-000010	1	SPRING, CLUTCH			
9		A553-000000	2	ARM, CLUTCH			
10		175048-05530	2	WASHER (I)	6.2*19*1.0		
11		900502-00008	2	NUT 8 (3N)	3N8		
12		900605-00008	1	WASHER, SPRING 8	8		
13		900600-00008	1	WASHER 8	8		
14		152801-55430	1	ROTOR, MAGNET			
15		100142-12330	1	KEY, WOODRUFF			
16		900238-05010	1	SCREW 5*10	5*10		
17		V485-000230	1	LEAD			
18		V485-000240	1	LEAD			
19		A052-000190	1	PULLEY, ASM STARTER			
20	+	P022-002100	2	E-RING	4		
21	+	177234-40630	2	SPRING, RETURN			
22	+	P022-006850	2	PAWL, STARTER			
23		A051-000760	1	STARTER, RECOIL			
24	+	177236-61830	1	SCREW			
25	+	P022-008460	1	PLATE, CAM			
26	+	P022-008450	1	SPRING, DAMPER			

2. STARTER, MAGNETO



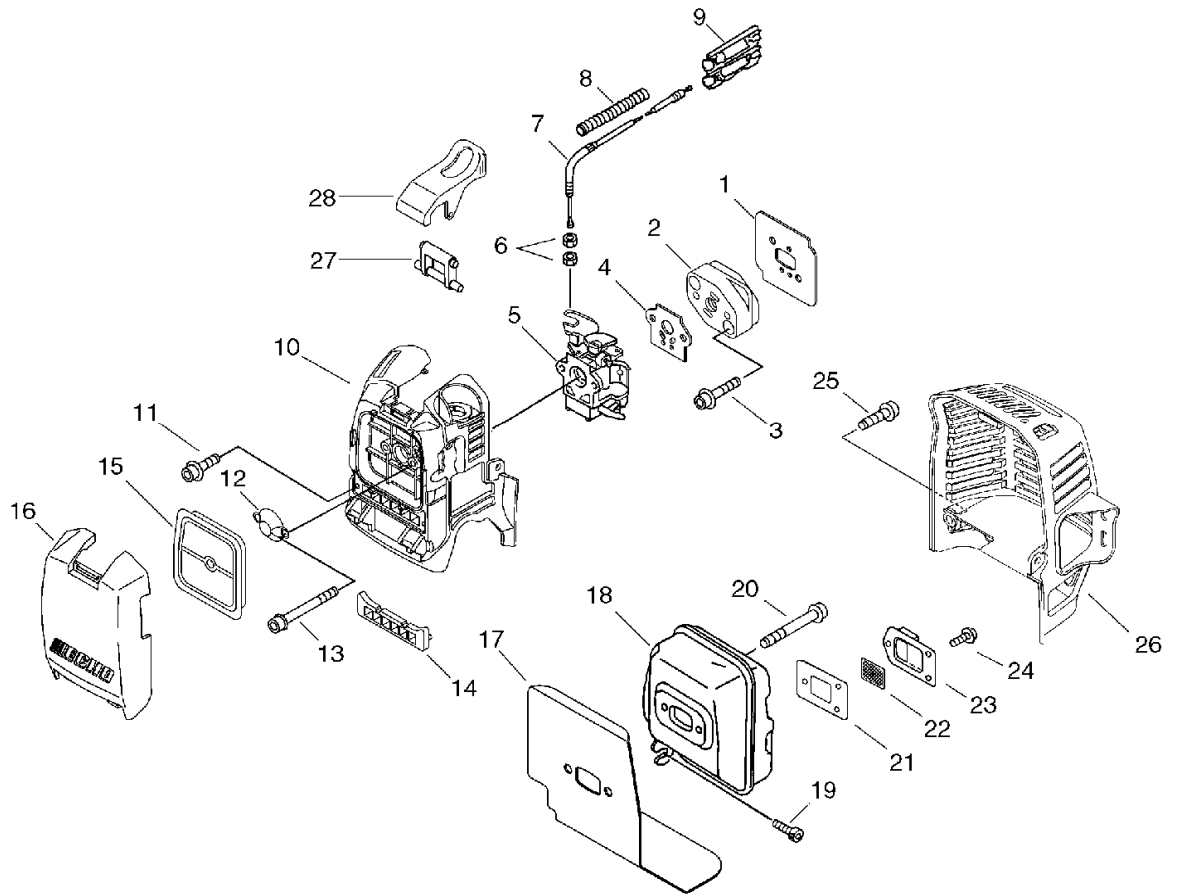
KEY	LV	PART NUMBER	Q'TY	DESCRIPTION	REMARKS	NOTE1	NOTE2
27	+	177246-11120	1	CLIP, STARTER ROPE			
28	+	177228-27030	1	GRIP, STARTER			
29	+	P022-008440	1	ROPE, STARTER	3.5*900		
30	+	P022-008470	1	DRUM			
31	+	177220-40630	1	SPRING, REWIND			
32	+	P022-008540	1	STARTER, RECOIL			
33		91121-05016	4	BOLT, FLANGE	10.9 SILVER		
34		X502-000520	1	LABEL, ECHO			
35		V141-000020	1	GROMMET, PLUG			
36		175049-56030	2	WASHER	8.5*16*0.5		

3. AIR CLEANER, MUFFLER



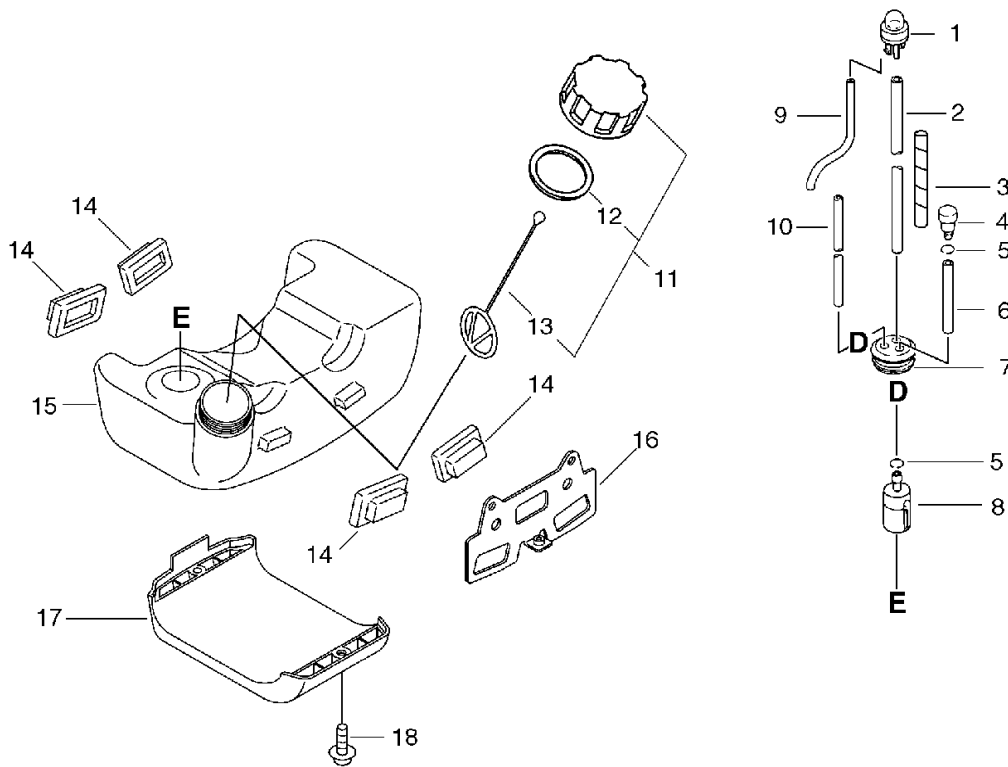
KEY	LV	PART NUMBER	Q'TY	DESCRIPTION	REMARKS	NOTE1	NOTE2
1		V103-000430	1	GASKET,INTAKE	T:0.5		
2		A200-000950	1	INSULATOR,INTAKE			
3		900162-05025	2	BOLT, H.S. 5*25	5*25 W,SW		
4		V103-000160	1	GASKET,INTAKE			
5		A021-001550	1	CARBURETOR,DIAPHRAGM	WYK/EX257		
6		900502-00006	2	NUT 6 (3N)	3N6		
7		V430-000540	1	CABLE,BOWDEN			
8		V475-002210	1	TUBE			
9		178081-55932	1	CONNECTOR,CABLE			
10		P021-014140	1	CASE, AIR CLEANER			
11		900106-05012	1	BOLT, H.S. 5*12	5*12		
12		A244-000010	1	PLATE, PREVENT			
13		900105-05060	2	BOLT, H.S. 5*60	5*60		
14		V420-000640	1	CUSHION			
15		A226-000140	1	ELEMENT,AIR FILTER			
16		A232-000151	1	LID,CLEANER			
17		V104-000890	1	GASKET,EXHAUST	T1		
18		A300-000720	1	MUFFLER, EXHAUST			
19		900106-05010	1	BOLT, H.S. 5*10			
20		900105-05020	2	BOLT, H.S. 5*20	5*20		
21		V104-000520	1	GASKET,EXHAUST			
22		145862-40630	1	SCREEN, MUFFLER			
23		A313-000900	1	GUIDE, EXHAUST			
24		91367-04010	3	SCREW	4*10/SW(SUS)		
25		91121-05012	1	BOLT, FLANGE	10.9 SILVER		
26		P021-014190	1	LID, MUFFLER			

3. AIR CLEANER, MUFFLER



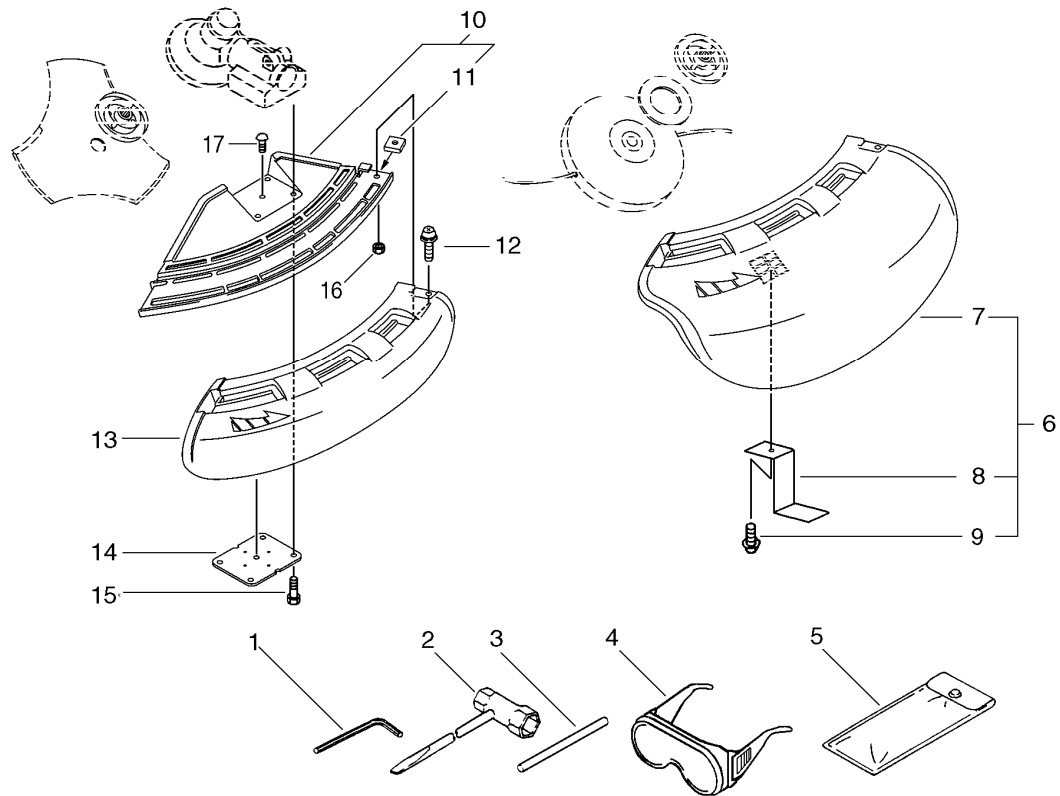
KEY	LV	PART NUMBER	Q'TY	DESCRIPTION	REMARKS	NOTE1	NOTE2
27		J485-000030	1	HINGE			
28		A235-000100	1	KNOB,CLEANER LID			

4. FUEL TANK



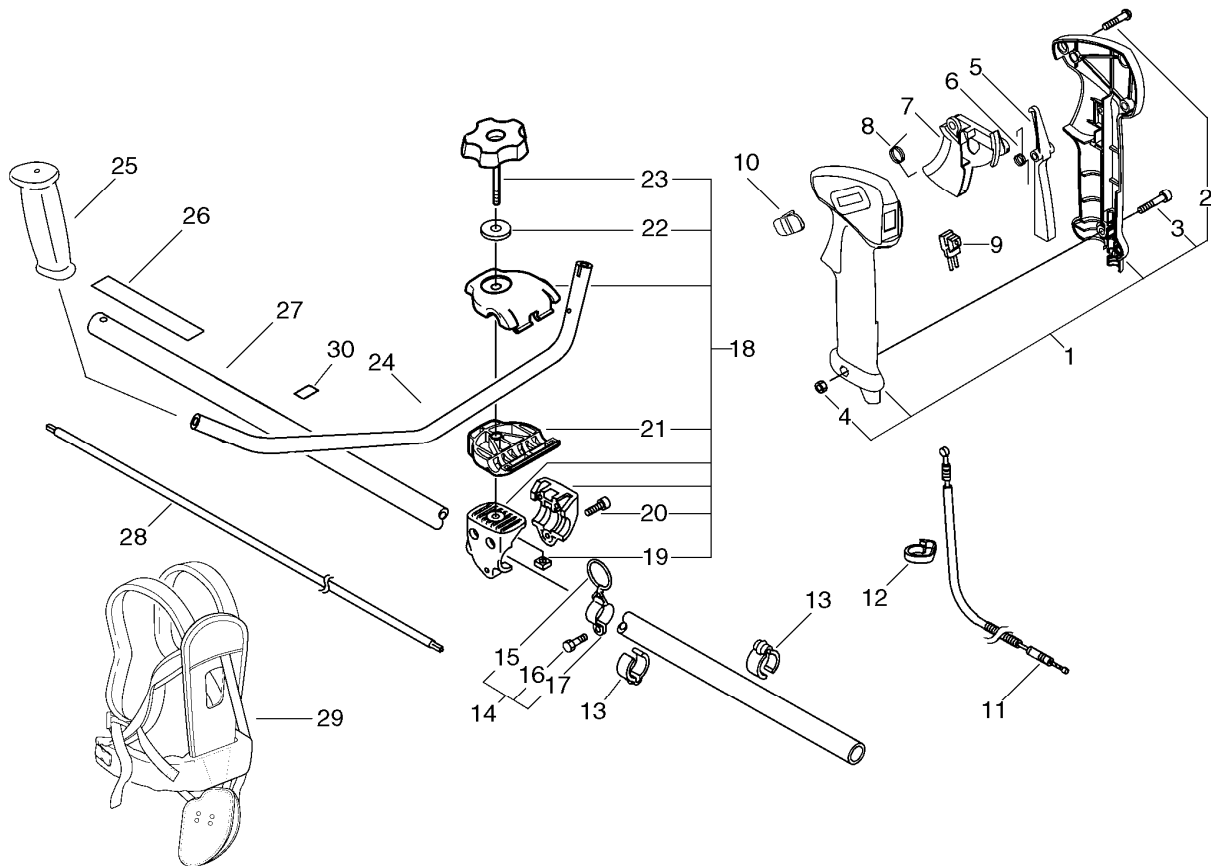
KEY	LV	PART NUMBER	Q'TY	DESCRIPTION	REMARKS	NOTE1	NOTE2
1		123181-39130	1	PUMP, PRIMER			
2		132010-22130	1	PIPE, FUEL	3*6*150L NBR		
3		V475-002240	1	TUBE			
4		131300-56430	1	VALVE, CHECK			
5		132013-26630	2	CLIP	6.5MM		
6		V471-001180	1	PIPE	3*6*35 NBR		
7		132115-55930	1	GROMMET, FUEL			
8		131205-14930	1	STRAINER, FUEL			
9		V471-000640	1	PIPE	2.38*4.76*105		
10		132010-53630	1	PIPE	3*6*180 NBR		
11		P021-012210	1	CAP, FUEL ASY			
12	+	131016-55830	1	GASKET, FUEL CAP			
13	+	A365-000060	1	CONNECTOR, CAP	L=123		
14		131920-55430	4	CUSHION, FUEL TANK			
15		A350-000200	1	TANK, FUEL			
16		A393-000060	1	BRACKET, FUEL TANK			
17		A175-000011	1	STAND			
18		91121-05016	2	BOLT, FLANGE	10.9 SILVER		

5. SHIELD



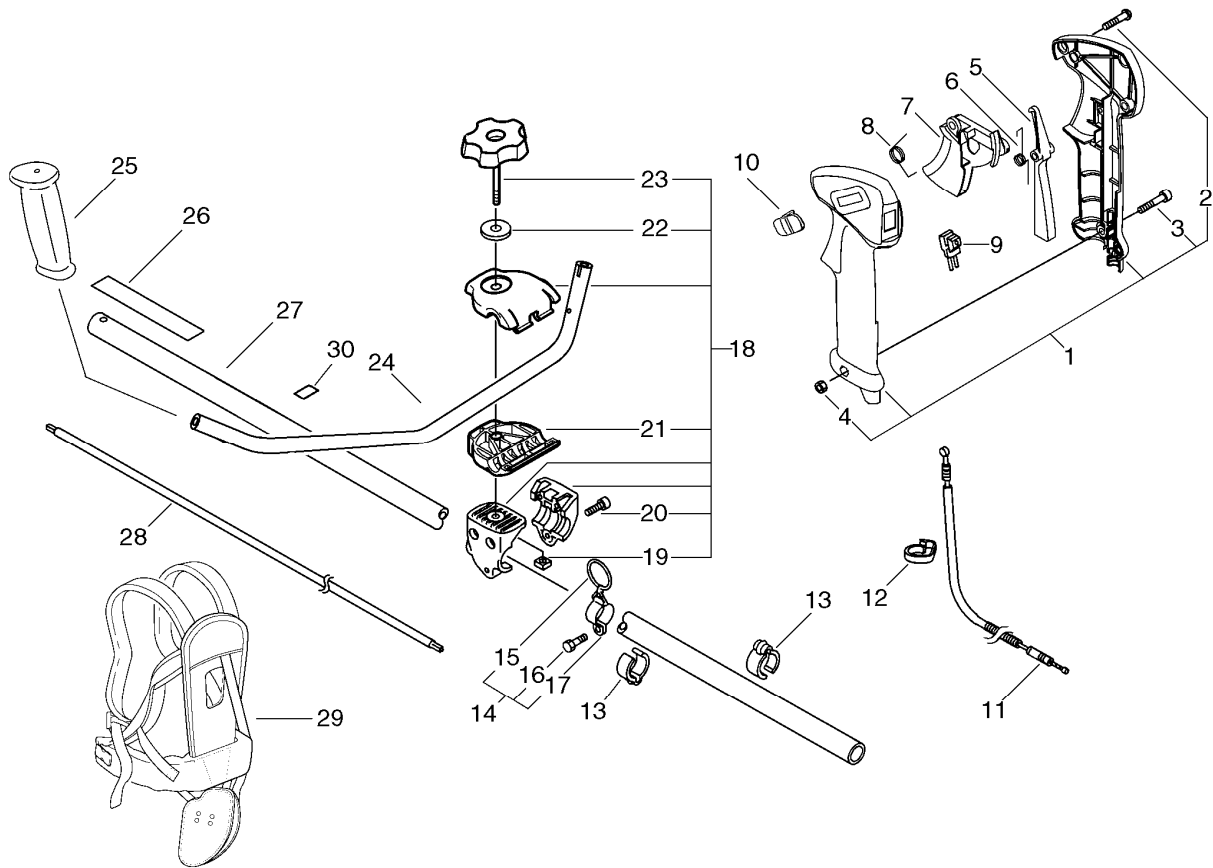
KEY	LV	PART NUMBER	Q'TY	DESCRIPTION	REMARKS	NOTE1	NOTE2
1		X605-000100	1	TOOL,L WRENCH	4MM M5		
2		X602-000020	1	TOOL,WRENCH	17*19 L200		
3		X606-000080	1	TOOL,BAR	5*120		
4		X690-000050	1	GOGGLE	GOGGLE + NOTE		
5		898510-07130	1	BAG, TOOL			
6		P021-013775	1	SHIELD KIT			
7	+	C550-000570	1	SHIELD,BLADE			
8	+	C554-000030	1	KNIFE, CORD			
9	+	91118-05018	1	BOLT			
10		C550-000511	1	SHIELD,BLADE			
11	+	900565-00005	1	NUT	5		
12		91121-05025	1	BOLT, FLANGE	10.9 SILVER		
13		C550-000551	1	SHIELD,BLADE			
14		C552-000200	1	PLATE, SHIELD			
15		V203-001980	4	BOLT,5			
16		900562-00005	1	NUT, LOCK	5		
17		91316-04010	1	SCREW	M4*10		

6. HANDLE



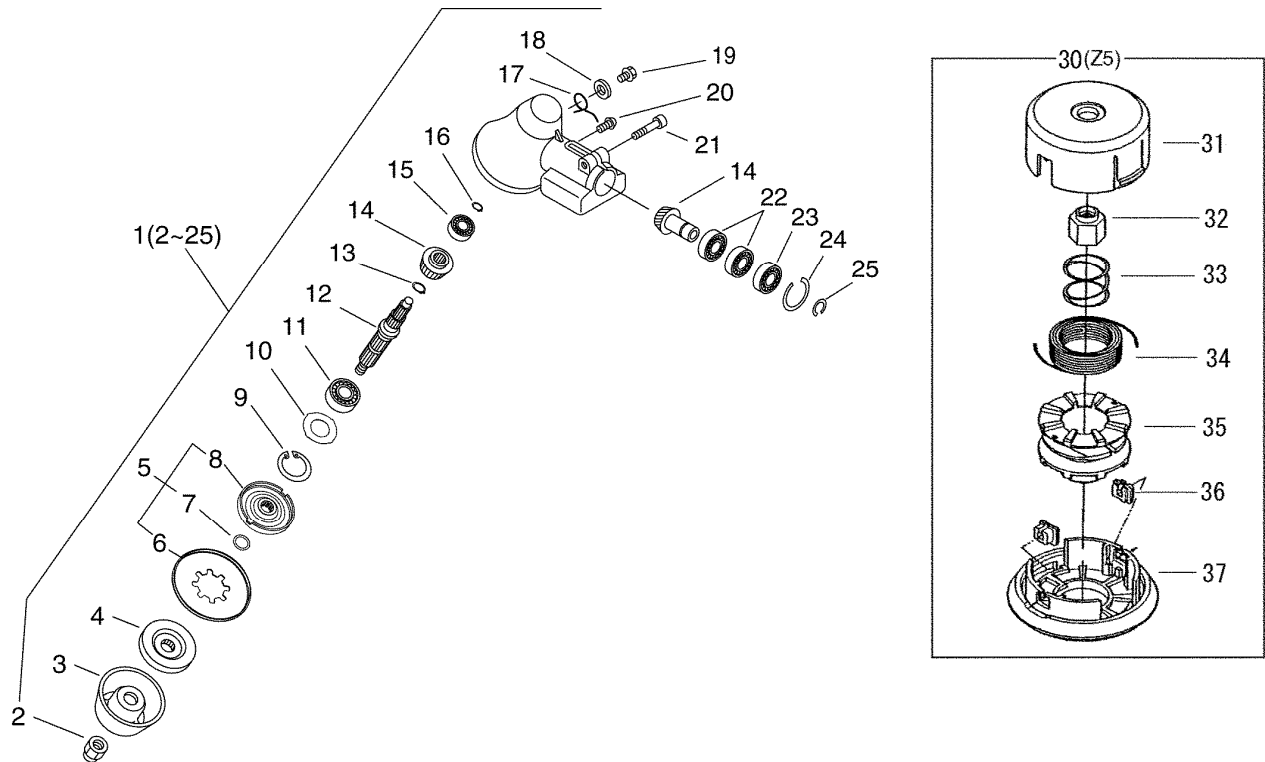
KEY	LV	PART NUMBER	Q'TY	DESCRIPTION	REMARKS	NOTE1	NOTE2
1		P021-014090	1	GRIP ASY,F-HANDLE			
2	+	900256-04016	3	SCREW 4*16			
3	+	91119-05030	1	BOLT			
4	+	900500-00005	1	NUT 5	5		
5		C460-000111	1	LOCKOUT, THROTTLE	70MM		
6		V452-000350	1	SPRING,TORSION			
7		C450-000270	1	CONTROL, THROTTLE			
8		V452-000360	1	SPRING,TORSION			
9		A440-001000	1	SWITCH, ON OFF			
10		C463-000020	1	KNOB, LATCH			
11		V430-002020	1	CABLE,BOWDEN			
12		159112-09961	1	CLIP			
13		224924-52130	2	CLIP	25MM		
14		P021-013580	1	RING, HARNESS KIT			
15	+	301015-05330	1	HOOK, BAND			
16	+	91121-05012	1	BOLT, FLANGE	10.9 SILVER		
17	+	301210-04630	1	HOOK			
18		P021-012821	1	FIXTURE,ASY HANDLE	SRM-2655SI		
19	+	900565-50008	1	NUT			
20	+	91118-05030	3	BOLT			
21	+	C423-000042	1	FIXTURE,HANDLE			
22	+	605014-54230	1	WASHER			
23	+	V299-000110	1	KNOB,FASTENER			
24		C400-000211	1	HANDLE,FRONT			
25		C403-000031	1	GRIP,HANDLE			
26		890617-43130	1	LABEL,CAUTION			

6. HANDLE



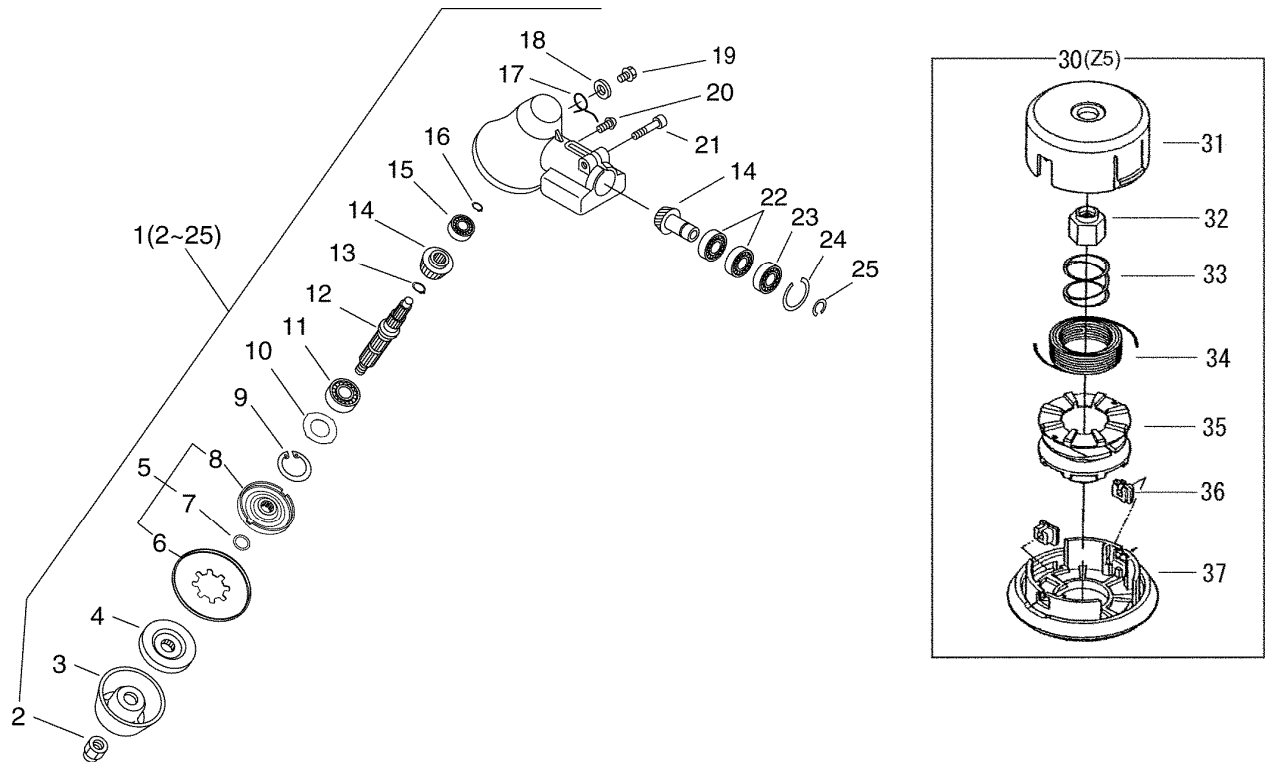
KEY	LV	PART NUMBER	Q'TY	DESCRIPTION	REMARKS	NOTE1	NOTE2
27		C050-002380	1	PIPE, MAIN			
28		C504-000050	1	SHAFT,DRIVE	7*1540		
29		C062-000193	1	HARNES, SHOULDER			
30		890152-04930	1	LABEL, CAUTION			

7. GEAR CASE



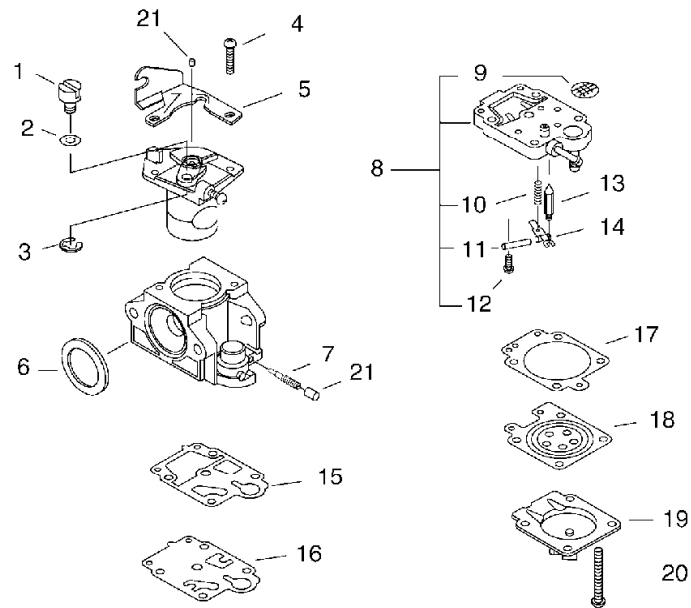
KEY	LV	PART NUMBER	Q'TY	DESCRIPTION	REMARKS	NOTE1	NOTE2
1		P021-035820	1	HOUSING ASY,GEAR			
2	+	610320-52130	1	NUT 10			
3	+	699229-56830	1	PLATE, COVER			
4	+	610314-52130	1	PLATE, ADAPTER (L)			
5	+	C535-000920	1	FIXTURE, BLADE			
6	++	610352-56830	1	PLATE, CUP			
7	++	900720-00012	1	O-RING 12	P-12		
8	++	C535-000930	1	FIXTURE, BLADE			
9	+	900702-00042	1	CIRCLIP 42	CR-42		
10	+	900603-50008	1	WASHER	8.5*18*0.8T		
11	+	900812-06302	1	BEARING, BALL	BB6302 LLU,DDU		
12	+	C534-000850	1	SHAFT, GEAR			
13	+	900706-00012	1	CIRCLIP 12	WR-12		
14	+	V000-000110	1	GEAR SET, BEVEL			
15	++	900810-00629	1	BEARING, BALL 629			
16	+	900701-00009	1	CIRCLIP 9	CS-9		
17	+	V452-001310	1	SPRING,TORSION			
18	+	V313-000090	1	WASHER,CIRCULAR 20			
19	+	610434-50031	1	BOLT 8*8	M8*8		
20	+	900242-05010	1	SCREW 5*10			
21	+	91118-06025	1	BOLT			
22	+	900855-06900	2	BEARING, BALL 6900	6900		
23	+	900858-06900	1	BEARING, BALL 6900Z	6900Z		
24	+	900702-00022	1	CIRCLIP 22	CR-22		
25	+	900706-00010	1	CIRCLIP 10	WR-10		

7. GEAR CASE



KEY	LV	PART NUMBER	Q'TY	DESCRIPTION	REMARKS	NOTE1	NOTE2
30		X047-000321	1	CUTTER,ASM LINE			
31	+	P022-010420	1	HOUSING			
32	+	P022-023180	1	NUT			
33	+	P022-010370	1	SPRING			
34	+	P022-010380	1	NYLON CODE			
35	+	P022-010400	1	BOBBIN			
36	+	P022-000710	2	EYELET	T4		
37	+	P022-010410	1	COVER			

8. CARBURETOR



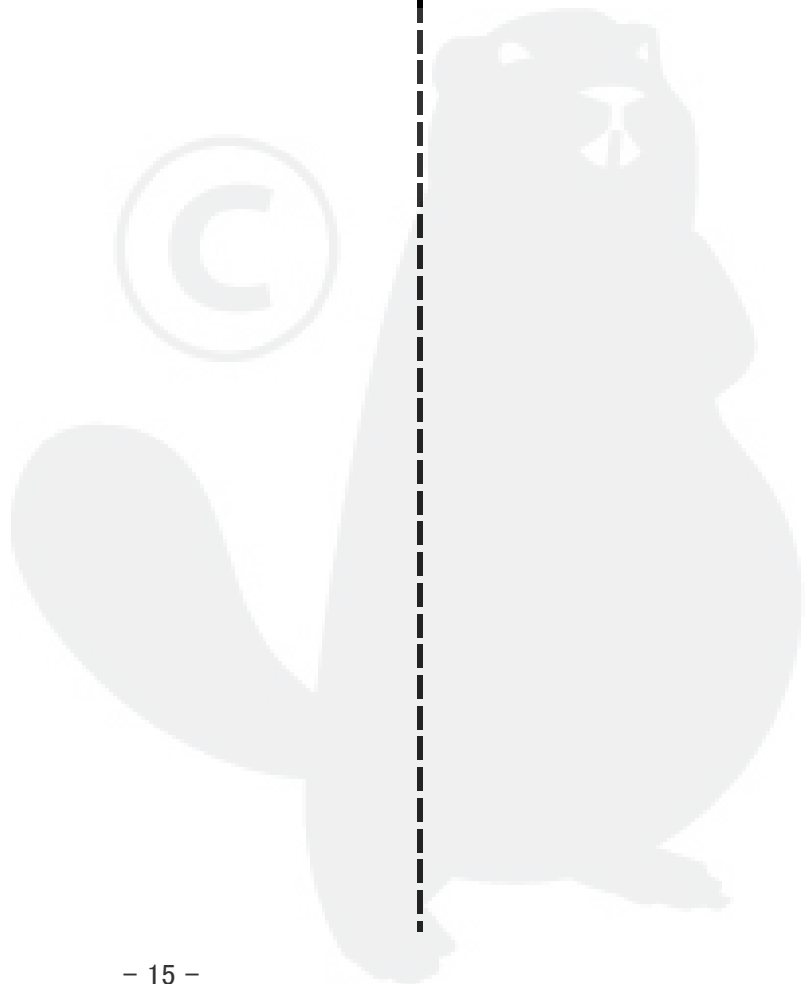
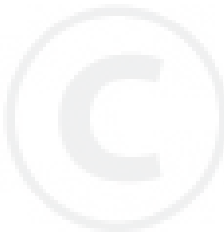
KEY	LV	PART NUMBER	Q'TY	DESCRIPTION	REMARKS	NOTE1	NOTE2
		A021-001550	1	CARBURETOR,DIAPHRAGM	WYK/EX257		
1	+	123172-45130	1	SWIVEL			
2	+	123149-54230	1	WASHER			
3	+	123173-07930	1	CLIP			
4	+	123114-40630	2	SCREW			
5	+	P003-000180	1	BRACKET CABLE			
6	+	123143-12110	1	RING, PACKING			
7	+	P003-001130	1	NEEDLE, HIGH SPEED			
8	+	P003-001950	1	BODY ASSEMBLY, PUMP			
9	++	123126-10631	1	SCREEN, INLET			
10	++	123122-05560	1	SPRING, METER. LEVER			
11	++	123138-03930	1	PIN, METERING LEVER			
12	++	123139-05560	1	SCREW, M. LEVER PIN			
13	++	123137-19830	1	VALVE, INLET NEEDLE			
14	++	123123-03930	1	LEVER, METERING			
15	+	P003-000100	1	GASKET, PUMP			
16	+	123112-40630	1	DIAPHRAGM, PUMP			
17	+	123140-27230	1	GASKET, M. DIAPHRAGM			
18	+	P003-001850	1	DIAPHRAGM, METERING			
19	+	123142-03930	1	COVER, M. DIAPHRAGM			
20	+	123144-44330	4	SCREW			
21	+	P003-001940	2	WALBRO 88-265			

Index

Patrs Number	Key No.	Patrs Number	Key No.	Patrs Number	Key No.
100012-16131	1 - 11	610314-52130	7 - 4	91121-05012	3 - 25
100013-27430	1 - 9	610320-52130	7 - 2	91121-05012	6 - 16
100014-53630	1 - 12	610352-56830	7 - 6	91121-05016	2 - 33
100015-03931	1 - 10	610434-50031	7 - 19	91121-05016	4 - 18
100142-12330	2 - 15	699229-56830	7 - 3	91121-05025	5 - 12
100212-03930	1 - 19	890152-04930	6 - 30	91316-04010	5 - 17
100215-03930	1 - 21	890617-43130	6 - 26	91367-04010	3 - 24
123112-40630	8 - 16	898510-07130	5 - 5	94035-36201	1 - 16
123114-40630	8 - 4	900105-05020	3 - 20	A011-000301	1 - 13
123122-05560	8 - 10	900105-05060	3 - 13	A021-001550	3 - 5
123123-03930	8 - 14	900106-05010	3 - 19	A021-001550	8 -
123126-10631	8 - 9	900106-05012	3 - 11	A051-000760	2 - 23
123137-19830	8 - 13	900162-05020	2 - 6	A052-000190	2 - 19
123138-03930	8 - 11	900162-05025	3 - 3	A101-000190	1 - 8
123139-05560	8 - 12	900238-05010	2 - 16	A130-000850	1 - 4
123140-27230	8 - 17	900242-05010	7 - 20	A160-000990	1 - 2
123142-03930	8 - 19	900256-04016	6 - 2	A172-000780	1 - 22
123143-12110	8 - 6	900500-00005	6 - 4	A175-000011	4 - 17
123144-44330	8 - 20	900502-00006	3 - 6	A200-000950	3 - 2
123149-54230	8 - 2	900502-00008	2 - 11	A226-000140	3 - 15
123172-45130	8 - 1	900562-00005	5 - 16	A232-000151	3 - 16
123173-07930	8 - 3	900565-00005	5 - 11	A235-000100	3 - 28
123181-39130	4 - 1	900565-50008	6 - 19	A244-000010	3 - 12
131016-55830	4 - 12	900600-00008	2 - 13	A300-000720	3 - 18
131205-14930	4 - 8	900603-50008	7 - 10	A313-000900	3 - 23
131300-56430	4 - 4	900605-00008	2 - 12	A350-000200	4 - 15
131920-55430	4 - 14	900701-00009	7 - 16	A365-000060	4 - 13
132010-22130	4 - 2	900701-00012	1 - 27	A393-000060	4 - 16
132010-53630	4 - 10	900702-00022	7 - 24	A425-000000	2 - 3
132013-26630	4 - 5	900702-00028	1 - 25	A426-000000	2 - 2
132115-55930	4 - 7	900702-00032	1 - 18	A427-000000	2 - 1
145862-40630	3 - 22	900702-00042	7 - 9	A440-001000	6 - 9
152626-55730	2 - 5	900702-00045	1 - 29	A553-000000	2 - 9
152801-55430	2 - 14	900706-00010	7 - 25	A556-000270	1 - 24
159112-09961	6 - 12	900706-00012	7 - 13	A557-000150	2 - 7
175048-05530	2 - 10	900720-00012	7 - 7	A566-000010	2 - 8
175049-56030	2 - 36	900807-06001	1 - 26	C050-002380	6 - 27
177220-40630	2 - 31	900810-00629	7 - 15	C062-000193	6 - 29
177228-27030	2 - 28	900812-06302	7 - 11	C400-000211	6 - 24
177234-40630	2 - 21	900855-06900	7 - 22	C403-000031	6 - 25
177236-61830	2 - 24	900858-06900	7 - 23	C423-000042	6 - 21
177246-11120	2 - 27	91118-05012	1 - 31	C450-000270	6 - 7
178081-55932	3 - 9	91118-05018	5 - 9	C460-000111	6 - 5
224924-52130	6 - 13	91118-05020	1 - 23	C463-000020	6 - 10
301015-05330	6 - 15	91118-05028	1 - 30	C504-000050	6 - 28
301210-04630	6 - 17	91118-05030	6 - 20	C534-000850	7 - 12
302013-10910	1 - 35	91118-06025	7 - 21	C535-000920	7 - 5
437412-16430	2 - 4	91119-05030	6 - 3	C535-000930	7 - 8
605014-54230	6 - 22	91121-05012	1 - 3	C550-000511	5 - 10

Index

Patrs Number	Key No.	Patrs Number	Key No.	Patrs Number	Key No.
C550-000551	5 - 13	V420-000970	1 - 28		
C550-000570	5 - 7	V430-000540	3 - 7		
C552-000200	5 - 14	V430-002020	6 - 11		
C554-000030	5 - 8	V452-000350	6 - 6		
J485-000030	3 - 27	V452-000360	6 - 8		
P003-000100	8 - 15	V452-001310	7 - 17		
P003-000180	8 - 5	V471-000640	4 - 9		
P003-001130	8 - 7	V471-001180	4 - 6		
P003-001850	8 - 18	V475-002210	3 - 8		
P003-001940	8 - 21	V475-002240	4 - 3		
P003-001950	8 - 8	V485-000230	2 - 17		
P021-012210	4 - 11	V485-000240	2 - 18		
P021-012821	6 - 18	V495-000760	1 - 34		
P021-013580	6 - 14	V505-000020	1 - 15		
P021-013775	5 - 6	X047-000321	7 - 30		
P021-014020	1 - 14	X502-000520	2 - 34		
P021-014090	6 - 1	X505-002310	1 - 36		
P021-014140	3 - 10	X547-002110	1 - 1		
P021-014190	3 - 26	X602-000020	5 - 2		
P021-035820	7 - 1	X605-000100	5 - 1		
P021-037520	1 - 7	X606-000080	5 - 3		
P022-000710	7 - 36	X690-000050	5 - 4		
P022-002100	2 - 20				
P022-006850	2 - 22				
P022-008440	2 - 29				
P022-008450	2 - 26				
P022-008460	2 - 25				
P022-008470	2 - 30				
P022-008540	2 - 32				
P022-010370	7 - 33				
P022-010380	7 - 34				
P022-010400	7 - 35				
P022-010410	7 - 37				
P022-010420	7 - 31				
P022-023180	7 - 32				
V000-000110	7 - 14				
V100-000240	1 - 6				
V102-000040	1 - 17				
V103-000160	3 - 4				
V103-000430	3 - 1				
V104-000520	3 - 21				
V104-000890	3 - 17				
V141-000020	2 - 35				
V203-000160	1 - 20				
V203-000170	1 - 5				
V203-001980	5 - 15				
V299-000110	6 - 23				
V313-000090	7 - 18				
V420-000640	3 - 14				



YAMABIKO CORPORATION

7-2 SUEHIROCHO 1-CHOME, OHME, TOKYO 198-8760, JAPAN
PHONE: 81-428-32-6118. FAX: 81-428-32-6145.

ECHO®



11Hb
No. 04-010