



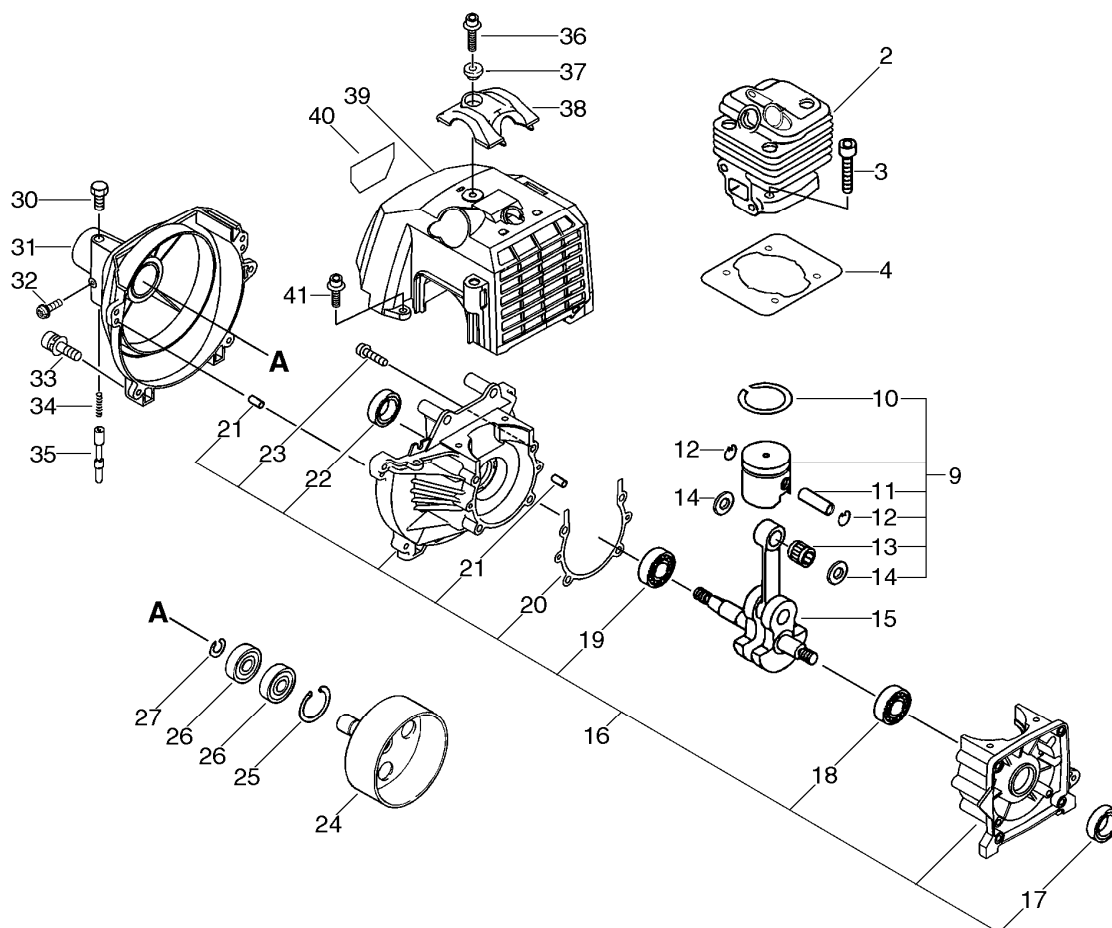
PARTS CATALOG

BACKPACK BRUSHCUTTER RM-410ES(36)

36003525 -

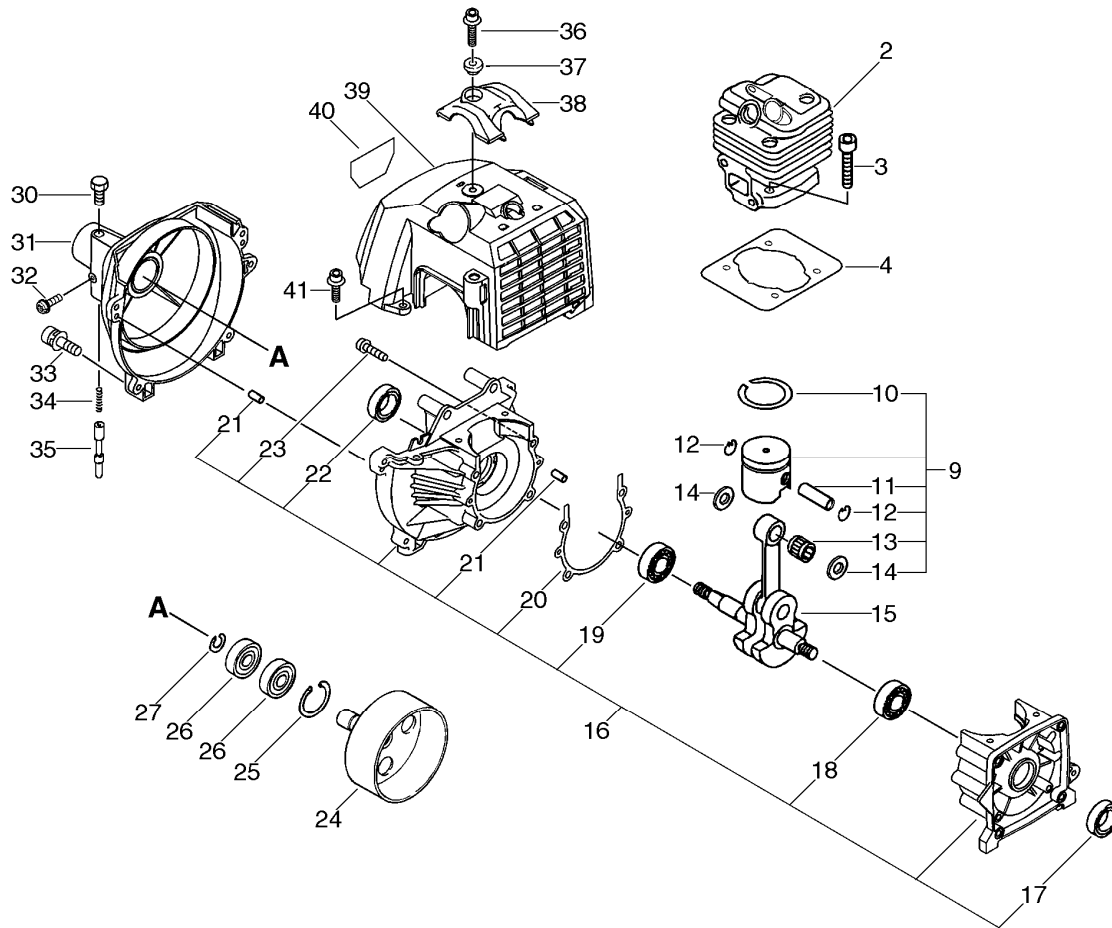
P014-001230-11Gb

1. CYLINDER, CRANKCASE, PISTON



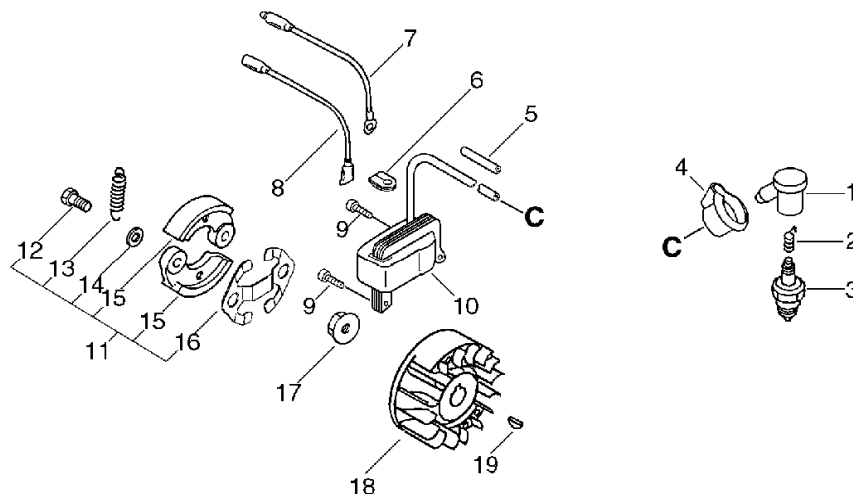
KEY	LV	PART NUMBER	Q'TY	DESCRIPTION	REMARKS	NOTE1	NOTE2
2		A130-000870	1	CYLINDER			
3		900162-05020	4	BOLT, H.S. 5*20	5*20 W,SW		
4		V100-000040	1	GASKET,CYL			
9		P021-014260	1	PISTON KIT			
10	+	100011-10530	1	RING, PISTON			
11	+	V608-000000	1	PIN,ENG 10			
12	+	V580-000010	2	RING,END	φ0.8		
13	+	V555-000010	1	BEARING,NEEDLE 10			
14	+	V307-000060	2	WASHER,CIRCULAR 10			
15		A011-000330	1	CRANKSHAFT,ASM			
16		P021-002471	1	CRANKCASE SET			
17	+	100213-05530	1	OILSEAL	ISCD 12 22 7		
18	+	94035-36201	1	BEARING BALL	6201X3JR2C3		
19	+	900810-36202	1	BEARING, BALL 6202	6202/C3		
20	+	V102-000001	1	GASKET,CRANKCASE			
21	+	100215-03930	4	PIN, DOWEL			
22	+	100213-00310	1	OILSEAL	ISCD 15 25 7		
23	+	900162-05035	4	BOLT, H.S. 5*35	5*35 W,SW		
24		A556-000151	1	DRUM,CLUTCH			
25		900702-00028	1	CIRCLIP 28	CR-28		
26		94042-06001	2	BEARING BALL	6001LLU		
27		900701-00012	1	CIRCLIP 12	CS-12		
30		610250-45930	1	BOLT			
31		A172-000140	1	COVER,FAN			
32		900241-04008	1	SCREW 4*8	4*8		
33		91118-05020	4	BOLT	CM-5*20		

1. CYLINDER, CRANKCASE, PISTON



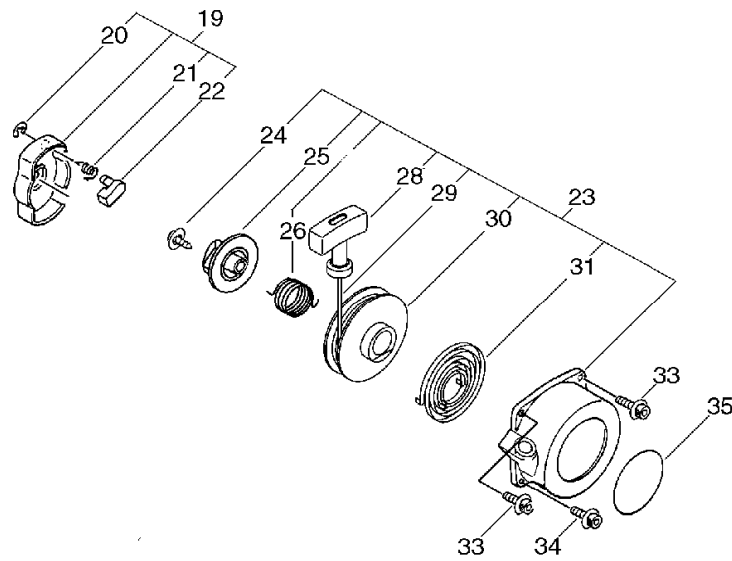
KEY	LV	PART NUMBER	Q'TY	DESCRIPTION	REMARKS	NOTE1	NOTE2
34		610251-45930	1	SPRING			
35		610252-45931	1	LOCKPIN			
36		91121-05020	1	BOLT, FLANGE	10.9 SILVER		
37		V353-000020	1	COLLAR,5	12*5.5*4.5L		
38		A162-000020	1	GUARD, TOP			
39		A160-000242	1	COVER, CYLINDER			
40		X547-001400	1	LABEL, ECHO	RM-410ES		
41		91121-05012	1	BOLT, FLANGE	10.9 SILVER		

2. MAGNETO, CLUTCH



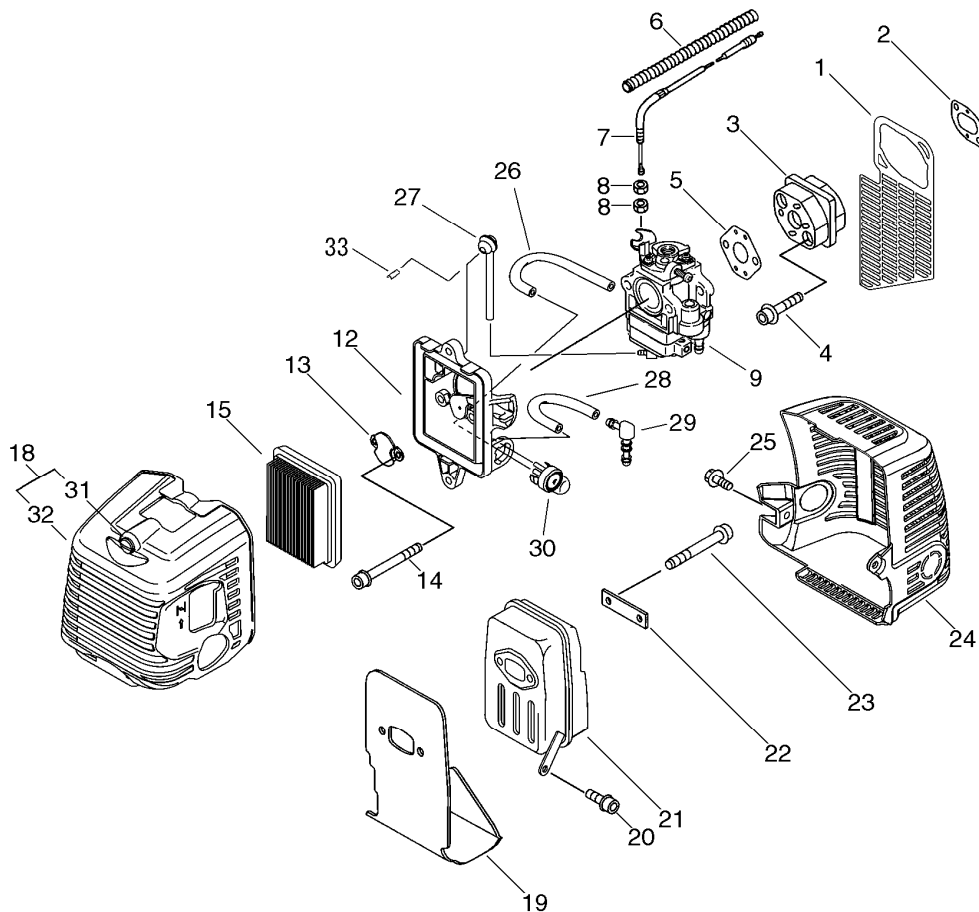
KEY	LV	PART NUMBER	Q'TY	DESCRIPTION	REMARKS	NOTE1	NOTE2
1		A427-000000	1	CAP, SPARK PLUG			
2		A426-000000	1	TERMINAL, SPARK PLUG			
3		159010-10230	1	PLUG, SPARK (BPMR-7A)	BPMR-7A		
4		V141-000020	1	GROMMET, PLUG			
5		V475-001610	1	TUBE	7*8.6*55 HST-10		
6		156114-04920	1	GROMMET			
7		162010-29330	1	LEAD, GROUND			
8		V485-000150	1	LEAD			
9		900162-05020	2	BOLT, H.S. 5*20	5*20 W,SW		
10		A411-000050	1	COIL, IGNITION			
11		P021-016610	1	CLUTCH ASY			
12	+	A557-000000	2	SHAFT, CLUTCH			
13	+	V451-000480	1	SPRING, TENSION			
14	+	175049-03920	2	WASHER			
15	+	A553-000040	2	ARM, CLUTCH			
16	+	V453-000100	1	SPRING, FLAT	10.2		
17		900519-00010	1	NUT, FLANGE 10	10*1.25		
18		P021-005911	1	ROTOR, MAGNETO KIT			
19	+	900323-03014	1	KEY WOODRUFF	3*14		

3. RECOIL STARTER



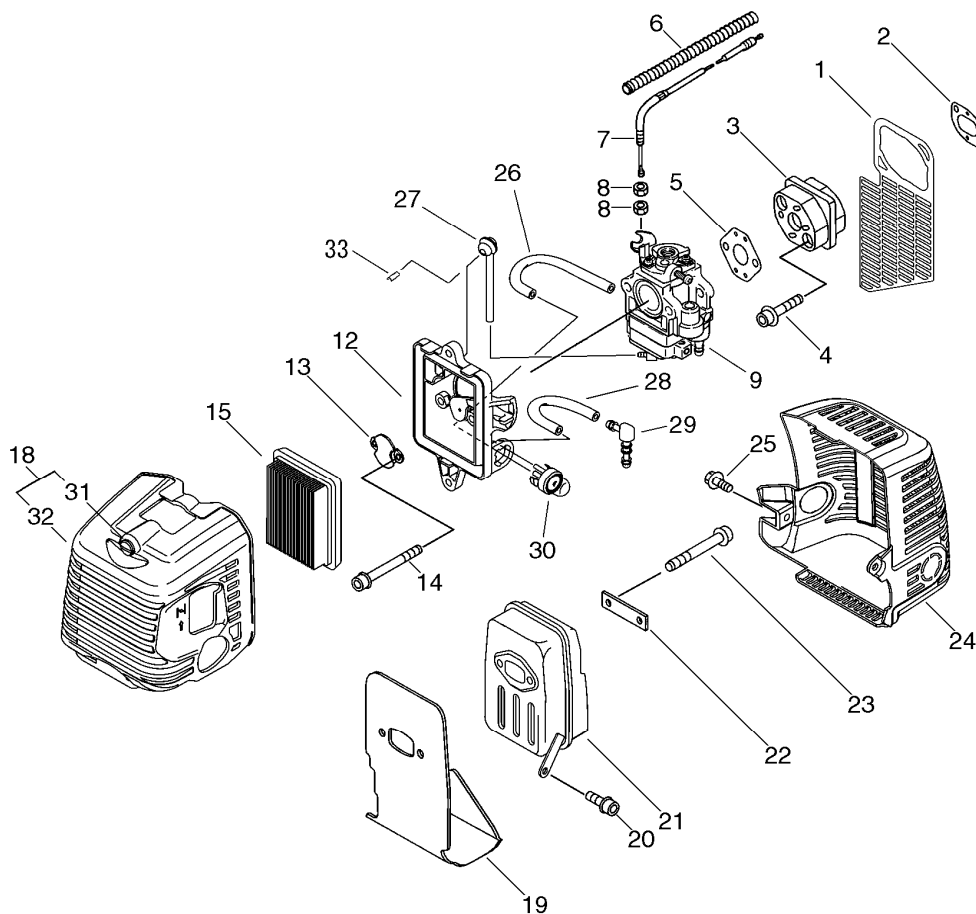
KEY	LV	PART NUMBER	Q'TY	DESCRIPTION	REMARKS	NOTE1	NOTE2
19		A052-000230	1	PULLEY,ASM STARTER			
20	+	P022-002100	2	E-RING	4		
21	+	P022-003130	2	SPRING, RETURN			
22	+	P022-023090	2	PAWL, STARTER			
23		A051-001350	1	STARTER,RECOIL ASY			
24	+	P022-023110	1	SCREW			
25	+	P022-023130	1	PLATE, CAM			
26	+	P022-023120	1	SPRING,DAMPER			
28	+	177228-27030	1	GRIP, STARTER			
29	+	P022-023100	1	ROPE, STARTER			
30	+	P022-023140	1	DRUM, STARTER			
31	+	P022-004680	1	SPRING, SPIRAL			
33		91121-05025	2	BOLT, FLANGE	10.9 SILVER		
34		91121-05020	2	BOLT, FLANGE	10.9 SILVER		
35		X502-000460	1	LABEL,ECHO			

4. MUFFLER, AIR CLEANER



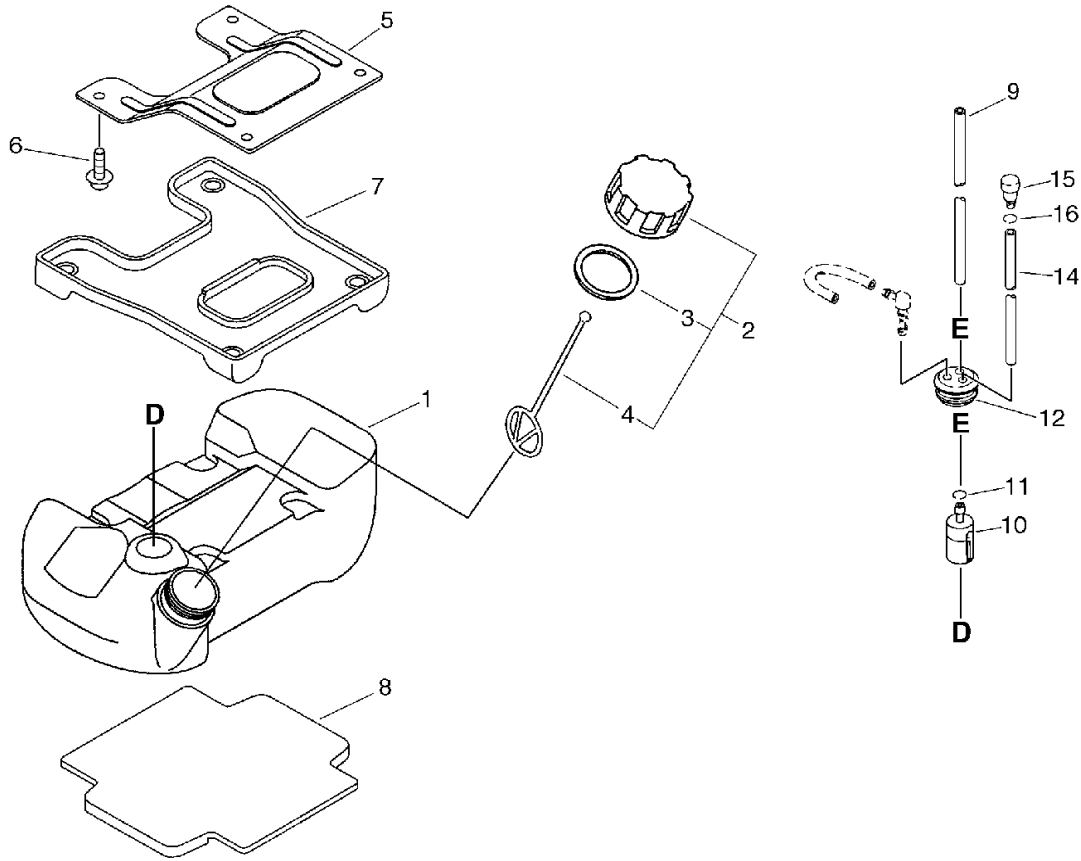
KEY	LV	PART NUMBER	Q'TY	DESCRIPTION	REMARKS	NOTE1	NOTE2
1		A128-000060	1	PLATE,DUST			
2		V103-000070	1	GASKET,INTAKE			
3		A200-000060	1	INSULATOR,INTAKE			
4		900106-05025	2	BOLT, H.S. 5*25	5*25		
5		V103-000080	1	GASKET,INTAKE			
6		V475-001510	1	TUBE			
7		V430-000310	1	CABLE,BOWDEN	L320*28		
8		900502-00006	2	NUT 6 (3N)	3N6		
9		A021-001172	1	CARBURETOR,DIAPHRAGM	WYK-226A		
12		P021-009590	1	CASE, AIR CLEANER			
13		A244-000010	1	PLATE,PREVENT			
14		900105-05055	2	BOLT, H.S. 5*55	5*55		
15		A226-000360	1	ELEMENT, AIR FILTER	AFP-2010K-300		
18		P021-009600	1	LID,CLEANER ASY			
31	+	V253-000100	2	SCREW,5	5*20		
32	+	A232-000320	1	LID,CLEANER			
19		V104-000210	1	GASKET,EXHAUST			
20		900162-05012	1	BOLT, H.S. 5*12	5*12 W,SW		
21		P021-008910	1	MUFFLER ASY			
22		V150-000550	1	PLATE,EYE			
23		900105-06060	2	BOLT, H.S. 6*60	6*60		
24		A320-000071	1	COVER,MUFFLER			
25		91121-05012	1	BOLT, FLANGE	10.9 SILVER		
26		V471-001560	1	PIPE	2.4*5*80		
27		132012-39331	1	PIPE	3*6*105		

4. MUFFLER, AIR CLEANER



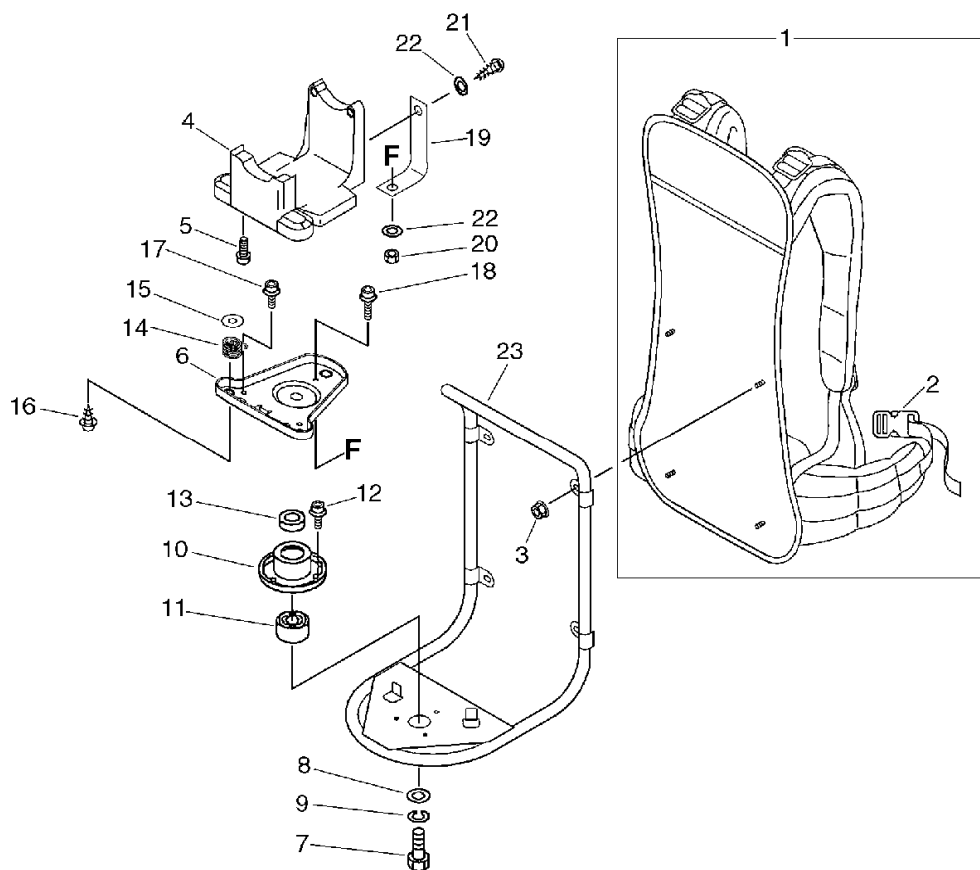
KEY	LV	PART NUMBER	Q'TY	DESCRIPTION	REMARKS	NOTE1	NOTE2
28		437215-20760	1	PIPE 3*6*60	3*6*60 YL		
29		V186-000080	1	JOINT,PIPE			
30		123181-39130	1	PUMP, PRIMER			
33		A239-000050	1	PIPE, INTAKE			

5. FUEL TANK



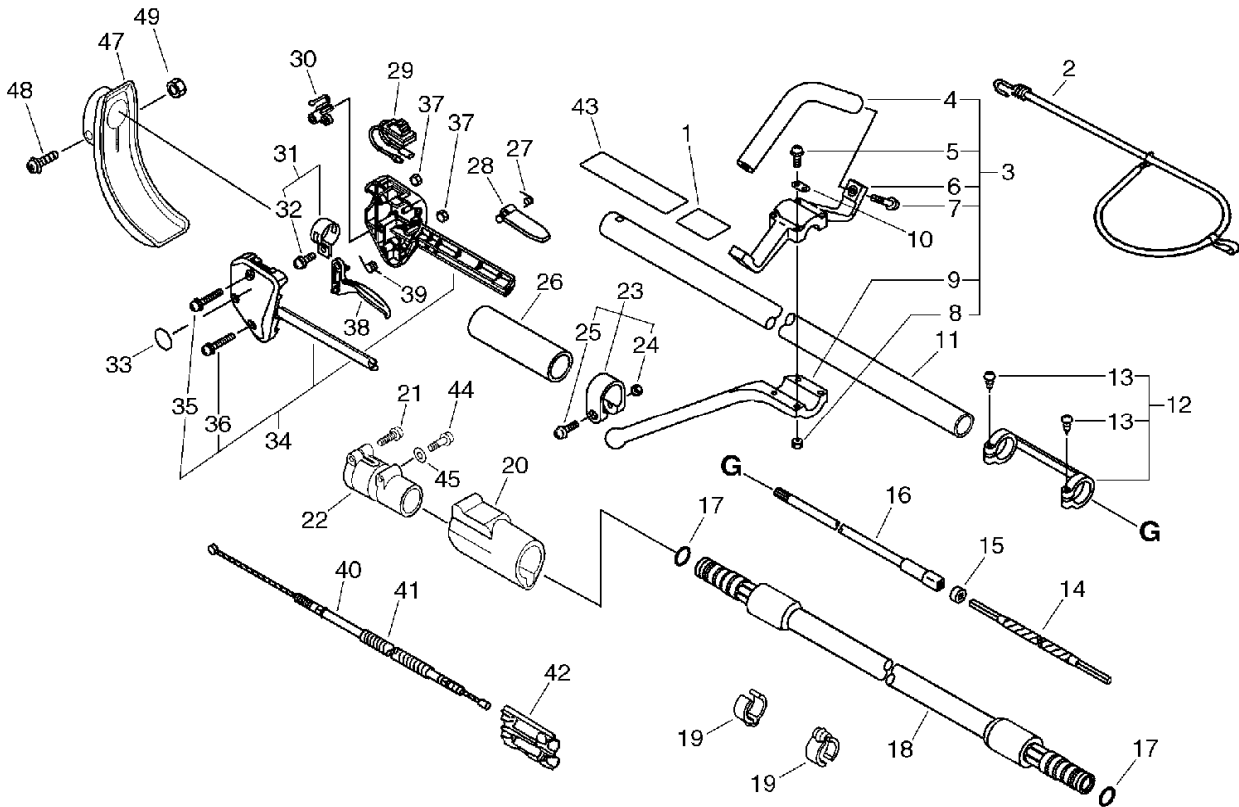
KEY	LV	PART NUMBER	Q'TY	DESCRIPTION	REMARKS	NOTE1	NOTE2
1		A350-000081	1	TANK,FUEL			
2		131004-55530	1	CAP ASSY, FUEL TANK			
3	+	131016-55830	1	GASKET, FUEL CAP			
4	+	131051-56030	1	CLIP, FUEL CAP	100L		
5		A393-000030	1	BRACKET,FUEL TANK			
6		900106-05012	4	BOLT, H.S. 5*12	5*12		
7		A390-000000	1	SEAT,FUEL TANK			
8		A390-000010	1	SEAT,FUEL TANK			
9		132010-53630	1	PIPE	3*6*180 NBR		
10		131205-19831	1	STRAINER, FUEL			
11		132013-26630	1	CLIP	6.5MM		
12		132115-55930	1	GROMMET, FUEL			
14		132012-02960	1	PIPE, FUEL	3*6*120L		
15		131300-56430	1	VALVE, CHECK		Sus. by 131300-56431	
15		131300-56431	1	VENT ASSEMBLY, FUEL			
16		132013-26630	1	CLIP	6.5MM		

6. BACKPACK HARNESS



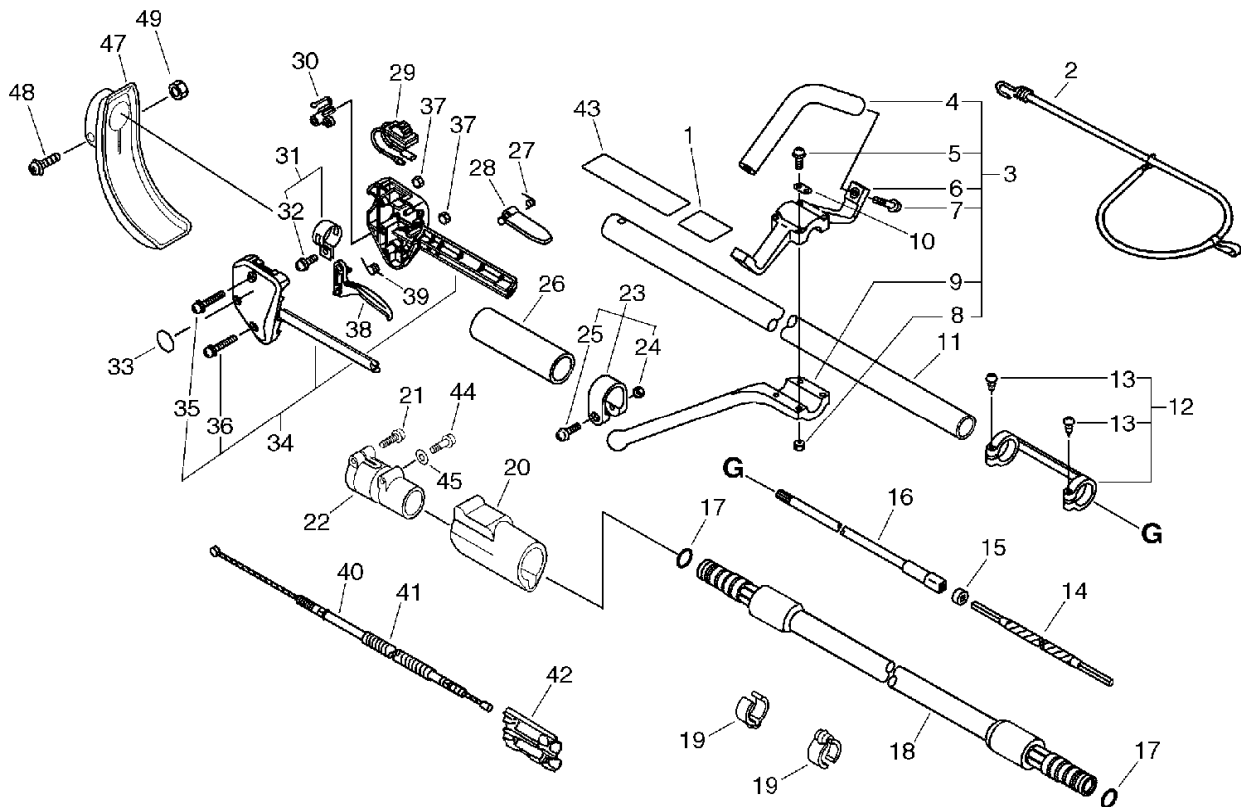
KEY	LV	PART NUMBER	Q'TY	DESCRIPTION	REMARKS	NOTE1	NOTE2
1		C061-000041	1	HARNESS,ASM BACKPACK			
2	+	P022-007890	1	BUCKLE	40MM		
3		900516-00005	4	NUT, FRANGE 5	5		
4		C632-000010	1	PLATE,ENG			
5		900106-05020	2	BOLT, H.S. 5*20	5*20		
6		C627-000020	1	PLATE,ROTATION			
7		900100-10025	1	BOLT 10*25	10*25		
8		900600-00010	1	WASHER 10	10		
9		900605-00010	1	WASHER, SPRING 10	10		
10		104926-56230	1	HOLDER, BEARING			
11		94064-06202	1	BEARING BALL	BB620ZZ		
12		91121-05012	3	BOLT, FLANGE	10.9 SILVER		
13		604044-12560	1	COLLER15.3*21.5*3.2T	15.3*21.5*3.2T		
14		V450-000141	3	SPRING,COMPRESSION			
15		177214-02830	3	WASHER	5.2*16*1.0T		
16		91147-05020	3	BOLT HS FL TAPP			
17		900106-05012	2	BOLT, H.S. 5*12	5*12		
18		900106-05016	1	BOLT, H.S. 5*16	5*16		
19		C617-000090	1	STOPPER			
20		900502-00005	1	NUT 5 (3N)	3N5		
21		91145-05016	1	BOLT HS TAPPING	5*16		
22		900600-00005	2	WASHER 5	5		
23		C620-000110	1	FRAME,BACKPACK			

7. HANDLE, MAIN PIPE



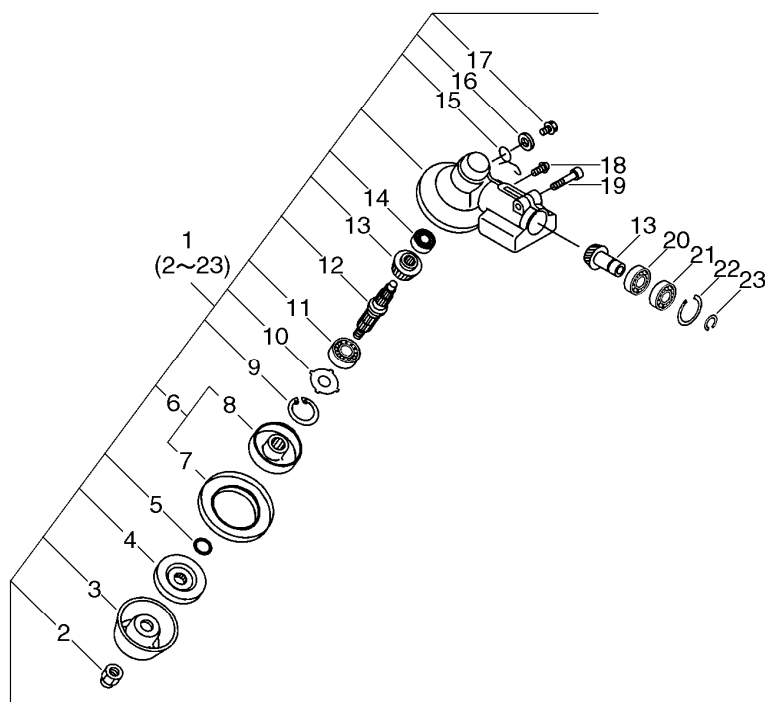
KEY	LV	PART NUMBER	Q'TY	DESCRIPTION	REMARKS	NOTE1	NOTE2
1		890160-42230	1	LABEL, CAUTION			
2		300500-07131	1	ROPE, ELASTIC			
3		351201-50431	1	HANDLE ASSY, LOOP			
4	+	351205-07131	1	HANDLE			
5	+	900242-05035	4	SCREW 5*35	5*35		
6	+	351232-07130	1	BRACKET, HANDLE 28			
7	+	900242-05014	2	SCREW 5*14			
8	+	900500-00005	4	NUT 5	5		
9	+	351643-55630	1	BRACKET, HANDLE			
10		300515-07130	1	PLATE, ROPE			
11		C050-000040	1	PIPE,MAIN			
12		610280-42230	1	COLLAR			
13	+	900253-04025	2	SCREW 4*25	4*25		
14		610013-27630	1	SHAFT, FLEXIBLE(HARD)			
15		610020-07131	1	ADAPTER, FLX. SHAFT			
16		C504-000070	1	SHAFT,DRIVE			
17		900720-00018	2	O-RING 18	P-18		
18		C508-000020	1	COVER,FLEX SHAFT			
19		224924-52130	2	CLIP	25MM		
20		C483-000010	1	BOOT,CONNECTOR			
21		91118-05030	1	BOLT			
22		C510-000020	1	COUPLING,MAIN PIPE			
23		610272-51830	1	BAND			
24	+	900500-00005	1	NUT 5	5		
25	+	900242-05028	1	SCREW 5*28	5*28		
26		351213-51830	1	GRIP, FRONT HANDLE			

7. HANDLE, MAIN PIPE



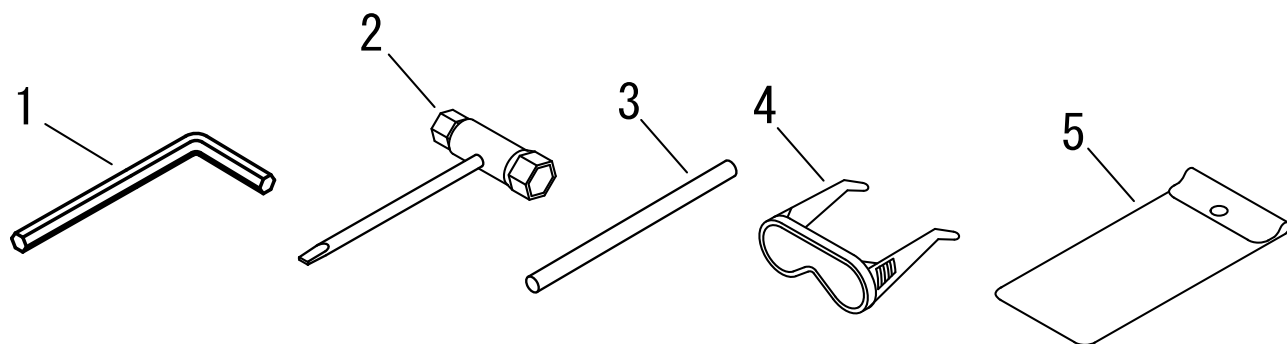
KEY	LV	PART NUMBER	Q'TY	DESCRIPTION	REMARKS	NOTE1	NOTE2
27		178013-52630	1	SPRING, THR. LOCK			
28		178090-52632	1	LOCKOUT, T. CONTROL			
29		163400-41630	1	SWITCH, IGNITION			
30		178012-52630	1	LOCKOUT, THROTTLE			
31		301200-42230	1	HOOK ASSY			
32	+	900242-05014	1	SCREW 5*14			
33		890157-39130	1	LABEL, SWITCH			
34		178003-51830	1	BRACKET SET, THROTTLE			
35	+	900242-05035	1	SCREW 5*35	5*35		
36	+	900242-05025	1	SCREW 5*25	5*25		
37	+	900500-00005	2	NUT 5	5		
38		178010-52130	1	CONTROL, THROTTLE			
39		178043-42230	1	SPRING, THR. RETURN			
40		V430-000321	1	CABLE, BOWDEN	940*64		
41		V475-001500	1	TUBE	7*740		
42		178081-55932	1	CONNECTOR, CABLE			
43		890617-43130	1	LABEL, CAUTION			
44		610257-56330	1	BOLT	5*30		
45		900600-00005	1	WASHER 5	5		
47		A248-000000	1	GUARD, LEVER			
48		900242-05025	1	SCREW 5*25	5*25		
49		900500-00005	1	NUT 5	5		

8. GEAR CASE



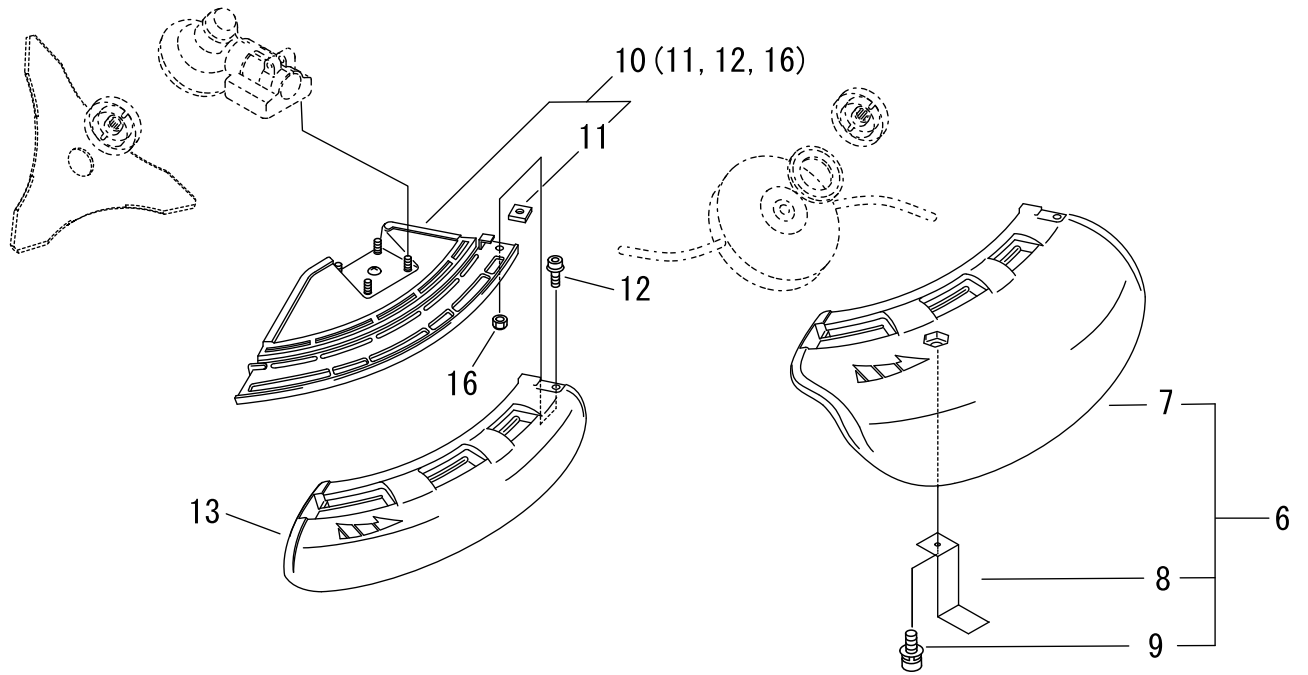
KEY	LV	PART NUMBER	Q'TY	DESCRIPTION	REMARKS	NOTE1	NOTE2
1		P021-012591	1	CASE,GEAR			
2	+	610320-52130	1	NUT 10			
3	+	699229-56830	1	PLATE, COVER			
4	+	610314-52130	1	PLATE, ADAPTER (L)			
5	+	900720-00012	1	O-RING 12	P-12		
6	+	610313-52932	1	FIXTURE, BLADE			
7	++	610352-56830	1	PLATE, CUP			
8	++	610313-52132	1	FIXTURE, BLADE			
9	+	900702-00032	1	CIRCLIP 32	CR-32		
10	+	610444-56830	1	WASHER			
11	+	900812-06201	1	BEARING, BALL 6201	6201DDU(LLU)		
12	+	610310-56931	1	SHAFT, P.T.O.			
13	+	610300-56930	1	GEAR SET			
14	+	900810-00629	1	BEARING, BALL 629			
15	+	V452-001310	1	SPRING, TORSION			
16	+	900603-50008	1	WASHER	8.5*18*0.8T		
17	+	610434-50031	1	BOLT 8*8	M8*8		
18	+	900242-05010	1	SCREW 5*10			
19	+	91118-06030	1	BOLT			
20	+	900800-06001	1	BEARING, BALL 6001			
21	+	900803-06001	1	BEARING, BALL 6001			
22	+	900702-00028	1	CIRCLIP 28	CR-28		
23	+	900701-00012	1	CIRCLIP 12	CS-12		

9. TOOLS



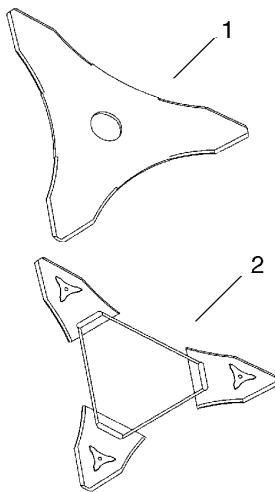
KEY	LV	PART NUMBER	Q'TY	DESCRIPTION	REMARKS	NOTE1	NOTE2
1		X605-000100	1	TOOL,L WRENCH	4MM M5		
2		X602-000020	1	TOOL,WRENCH	17*19 L200		
3		X606-000080	1	TOOL,BAR	5*120		
4		X690-000050	1	GOGGLE	GOGGLE + NOTE		
5		898510-07130	1	BAG, TOOL			

10. SHIELD

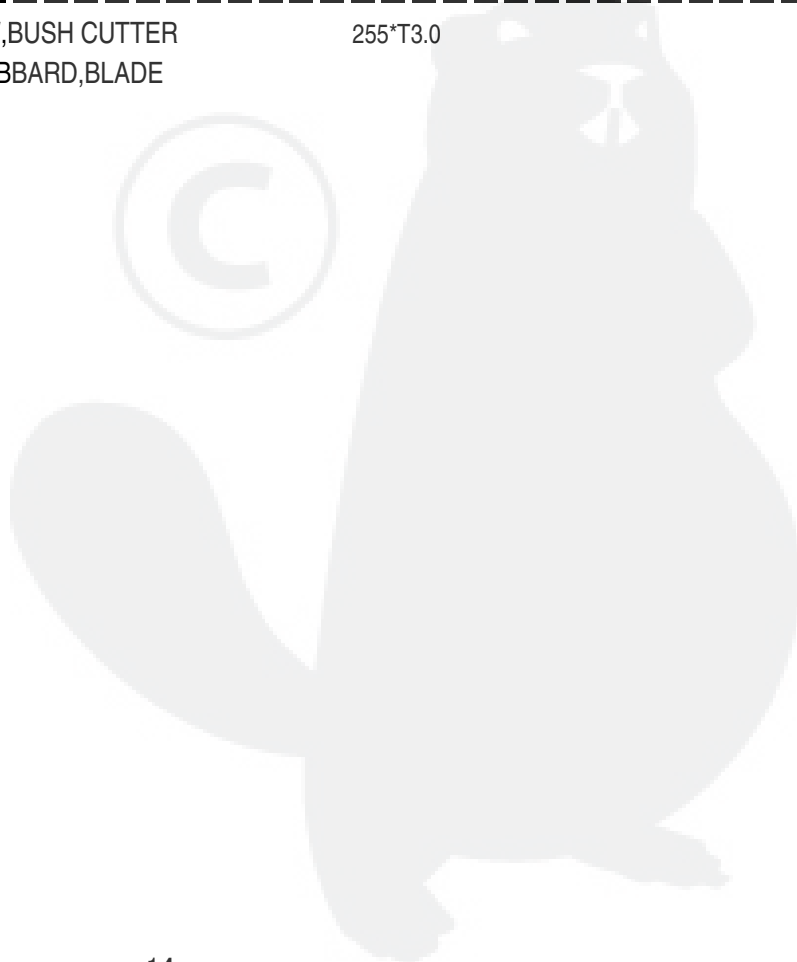
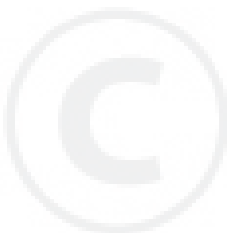


KEY	LV	PART NUMBER	Q'TY	DESCRIPTION	REMARKS	NOTE1	NOTE2
6		P021-013775	1	SHIELD KIT			
7	+	C550-000570	1	SHIELD, BLADE			
8	+	C554-000030	1	KNIFE, CORD			
9	+	91118-05018	1	BOLT			
10		P021-038570	1	SHIELD ASY, BLADE			
11	+	900565-00005	1	NUT	5		
12	+	91121-05025	1	BOLT, FLANGE	10.9 SILVER		
16	+	900562-00005	1	NUT, LOCK	5		
13		C550-000551	1	SHIELD, BLADE			

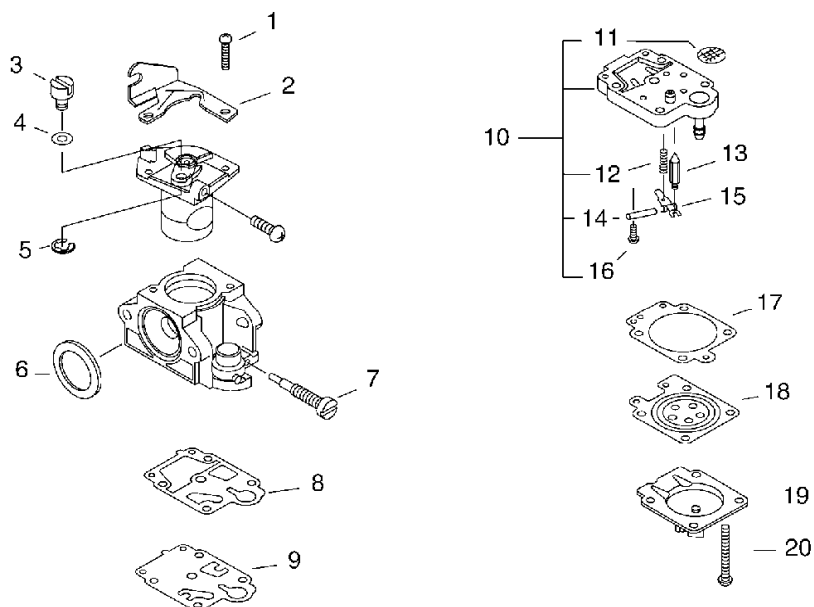
11. BLADE



KEY	LV	PART NUMBER	Q'TY	DESCRIPTION	REMARKS	NOTE1	NOTE2
1		P021-014320	1	SAW,BUSH CUTTER	255*T3.0		
2		X495-000270	1	SCABBARD,BLADE			



12. CARBURETOR



KEY	LV	PART NUMBER	Q'TY	DESCRIPTION	REMARKS	NOTE1	NOTE2
		A021-001172	1	CARBURETOR,DIAPHRAGM	WYK-226A		
1	+	123114-40630	2	SCREW			
2	+	P003-000180	1	BRACKET CABLE			
3	+	123172-45130	1	SWIVEL			
4	+	123149-54230	1	WASHER			
5	+	123173-07930	1	CLIP			
6	+	123143-12110	1	RING, PACKING			
7	+	P003-001130	1	NEEDLE, HIGH SPEED			
8	+	P003-000100	1	GASKET, PUMP			
9	+	123112-40630	1	DIAPHRAGM, PUMP			
10	+	P003-001490	1	BODY ASSEMBLY, PUMP			
11	++	123126-10631	1	SCREEN, INLET			
12	++	123122-05560	1	SPRING, METER. LEVER			
13	++	123137-19830	1	VALVE, INLET NEEDLE			
14	++	123138-03930	1	PIN, METERING LEVER			
15	++	123123-03930	1	LEVER, METERING			
16	++	123139-05560	1	SCREW, M. LEVER PIN			
17	+	123140-27230	1	GASKET,M. DIAPHRAGM			
18	+	P003-001850	1	DIAPHRAGM, METERING			
19	+	P003-001500	1	COVER, PRIMER PUMP			
20	+	123144-44330	4	SCREW			

Index

Patrs Number	Key No.	Patrs Number	Key No.	Patrs Number	Key No.
100011-10530	1 - 10	301200-42230	7 - 31	900242-05035	7 - 5
100213-00310	1 - 22	351201-50431	7 - 3	900242-05035	7 - 35
100213-05530	1 - 17	351205-07131	7 - 4	900253-04025	7 - 13
100215-03930	1 - 21	351213-51830	7 - 26	900323-03014	2 - 19
104926-56230	6 - 10	351232-07130	7 - 6	900500-00005	7 - 8
123112-40630	12 - 9	351643-55630	7 - 9	900500-00005	7 - 24
123114-40630	12 - 1	437215-20760	4 - 28	900500-00005	7 - 37
123122-05560	12 - 12	604044-12560	6 - 13	900500-00005	7 - 49
123123-03930	12 - 15	610013-27630	7 - 14	900502-00005	6 - 20
123126-10631	12 - 11	610020-07131	7 - 15	900502-00006	4 - 8
123137-19830	12 - 13	610250-45930	1 - 30	900516-00005	6 - 3
123138-03930	12 - 14	610251-45930	1 - 34	900519-00010	2 - 17
123139-05560	12 - 16	610252-45931	1 - 35	900562-00005	10 - 16
123140-27230	12 - 17	610257-56330	7 - 44	900565-00005	10 - 11
123143-12110	12 - 6	610272-51830	7 - 23	900600-00005	6 - 22
123144-44330	12 - 20	610280-42230	7 - 12	900600-00005	7 - 45
123149-54230	12 - 4	610300-56930	8 - 13	900600-00010	6 - 8
123172-45130	12 - 3	610310-56931	8 - 12	900603-50008	8 - 16
123173-07930	12 - 5	610313-52132	8 - 8	900605-00010	6 - 9
123181-39130	4 - 30	610313-52932	8 - 6	900701-00012	1 - 27
131004-55530	5 - 2	610314-52130	8 - 4	900701-00012	8 - 23
131016-55830	5 - 3	610320-52130	8 - 2	900702-00028	1 - 25
131051-56030	5 - 4	610352-56830	8 - 7	900702-00028	8 - 22
131205-19831	5 - 10	610434-50031	8 - 17	900702-00032	8 - 9
131300-56430	5 - 15	610444-56830	8 - 10	900720-00012	8 - 5
131300-56431	5 - 15	699229-56830	8 - 3	900720-00018	7 - 17
132010-53630	5 - 9	890157-39130	7 - 33	900800-06001	8 - 20
132012-02960	5 - 14	890160-42230	7 - 1	900803-06001	8 - 21
132012-39331	4 - 27	890617-43130	7 - 43	900810-00629	8 - 14
132013-26630	5 - 11	898510-07130	9 - 5	900810-36202	1 - 19
132013-26630	5 - 16	900100-10025	6 - 7	900812-06201	8 - 11
132115-55930	5 - 12	900105-05055	4 - 14	91118-05018	10 - 9
156114-04920	2 - 6	900105-06060	4 - 23	91118-05020	1 - 33
159010-10230	2 - 3	900106-05012	5 - 6	91118-05030	7 - 21
162010-29330	2 - 7	900106-05012	6 - 17	91118-06030	8 - 19
163400-41630	7 - 29	900106-05016	6 - 18	91121-05012	1 - 41
175049-03920	2 - 14	900106-05020	6 - 5	91121-05012	4 - 25
177214-02830	6 - 15	900106-05025	4 - 4	91121-05012	6 - 12
177228-27030	3 - 28	900162-05012	4 - 20	91121-05020	1 - 36
178003-51830	7 - 34	900162-05020	1 - 3	91121-05020	3 - 34
178010-52130	7 - 38	900162-05020	2 - 9	91121-05025	3 - 33
178012-52630	7 - 30	900162-05035	1 - 23	91121-05025	10 - 12
178013-52630	7 - 27	900241-04008	1 - 32	91145-05016	6 - 21
178043-42230	7 - 39	900242-05010	8 - 18	91147-05020	6 - 16
178081-55932	7 - 42	900242-05014	7 - 7	94035-36201	1 - 18
178090-52632	7 - 28	900242-05014	7 - 32	94042-06001	1 - 26
224924-52130	7 - 19	900242-05025	7 - 36	94064-06202	6 - 11
300500-07131	7 - 2	900242-05025	7 - 48	A011-000330	1 - 15
300515-07130	7 - 10	900242-05028	7 - 25	A021-001172	4 - 9

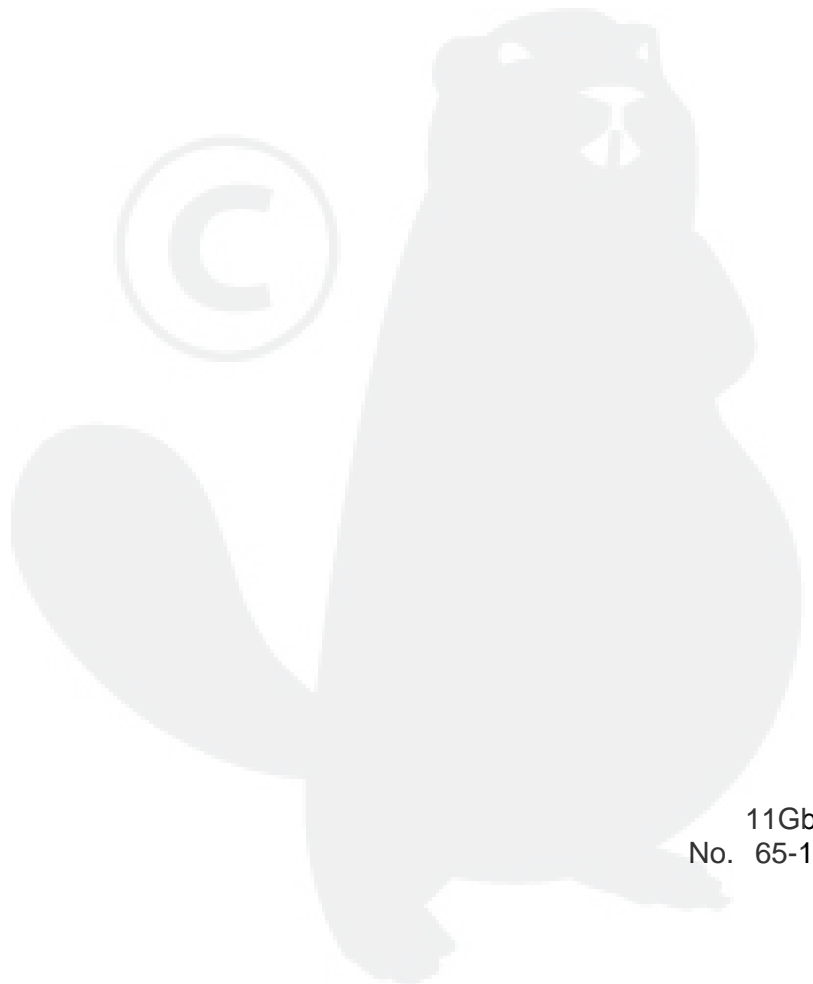
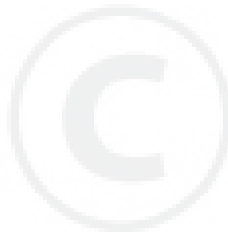
Index

Patrs Number	Key No.	Patrs Number	Key No.	Patrs Number	Key No.
A021-001172	12 -	P021-012591	8 - 1		
A051-001350	3 - 23	P021-013775	10 - 6		
A052-000230	3 - 19	P021-014260	1 - 9		
A128-000060	4 - 1	P021-014320	11 - 1		
A130-000870	1 - 2	P021-016610	2 - 11		
A160-000242	1 - 39	P021-038570	10 - 10		
A162-000020	1 - 38	P022-002100	3 - 20		
A172-000140	1 - 31	P022-003130	3 - 21		
A200-000060	4 - 3	P022-004680	3 - 31		
A226-000360	4 - 15	P022-007890	6 - 2		
A232-000320	4 - 32	P022-023090	3 - 22		
A239-000050	4 - 33	P022-023100	3 - 29		
A244-000010	4 - 13	P022-023110	3 - 24		
A248-000000	7 - 47	P022-023120	3 - 26		
A320-000071	4 - 24	P022-023130	3 - 25		
A350-000081	5 - 1	P022-023140	3 - 30		
A390-000000	5 - 7	V100-000040	1 - 4		
A390-000010	5 - 8	V102-000001	1 - 20		
A393-000030	5 - 5	V103-000070	4 - 2		
A411-000050	2 - 10	V103-000080	4 - 5		
A426-000000	2 - 2	V104-000210	4 - 19		
A427-000000	2 - 1	V141-000020	2 - 4		
A553-000040	2 - 15	V150-000550	4 - 22		
A556-000151	1 - 24	V186-000080	4 - 29		
A557-000000	2 - 12	V253-000100	4 - 31		
C050-000040	7 - 11	V307-000060	1 - 14		
C061-000041	6 - 1	V353-000020	1 - 37		
C483-000010	7 - 20	V430-000310	4 - 7		
C504-000070	7 - 16	V430-000321	7 - 40		
C508-000020	7 - 18	V450-000141	6 - 14		
C510-000020	7 - 22	V451-000480	2 - 13		
C550-000551	10 - 13	V452-001310	8 - 15		
C550-000570	10 - 7	V453-000100	2 - 16		
C554-000030	10 - 8	V471-001560	4 - 26		
C617-000090	6 - 19	V475-001500	7 - 41		
C620-000110	6 - 23	V475-001510	4 - 6		
C627-000020	6 - 6	V475-001610	2 - 5		
C632-000010	6 - 4	V485-000150	2 - 8		
P003-000100	12 - 8	V555-000010	1 - 13		
P003-000180	12 - 2	V580-000010	1 - 12		
P003-001130	12 - 7	V608-000000	1 - 11		
P003-001490	12 - 10	X495-000270	11 - 2		
P003-001500	12 - 19	X502-000460	3 - 35		
P003-001850	12 - 18	X547-001400	1 - 40		
P021-002471	1 - 16	X602-000020	9 - 2		
P021-005911	2 - 18	X605-000100	9 - 1		
P021-008910	4 - 21	X606-000080	9 - 3		
P021-009590	4 - 12	X690-000050	9 - 4		
P021-009600	4 - 18				

YAMABIKO CORPORATION

7-2 SUEHIROCHO 1-CHOME, OHME, TOKYO 198-8760, JAPAN
PHONE: 81-428-32-6118. FAX: 81-428-32-6145.

ECHO[®]



11Gb
No. 65-110