

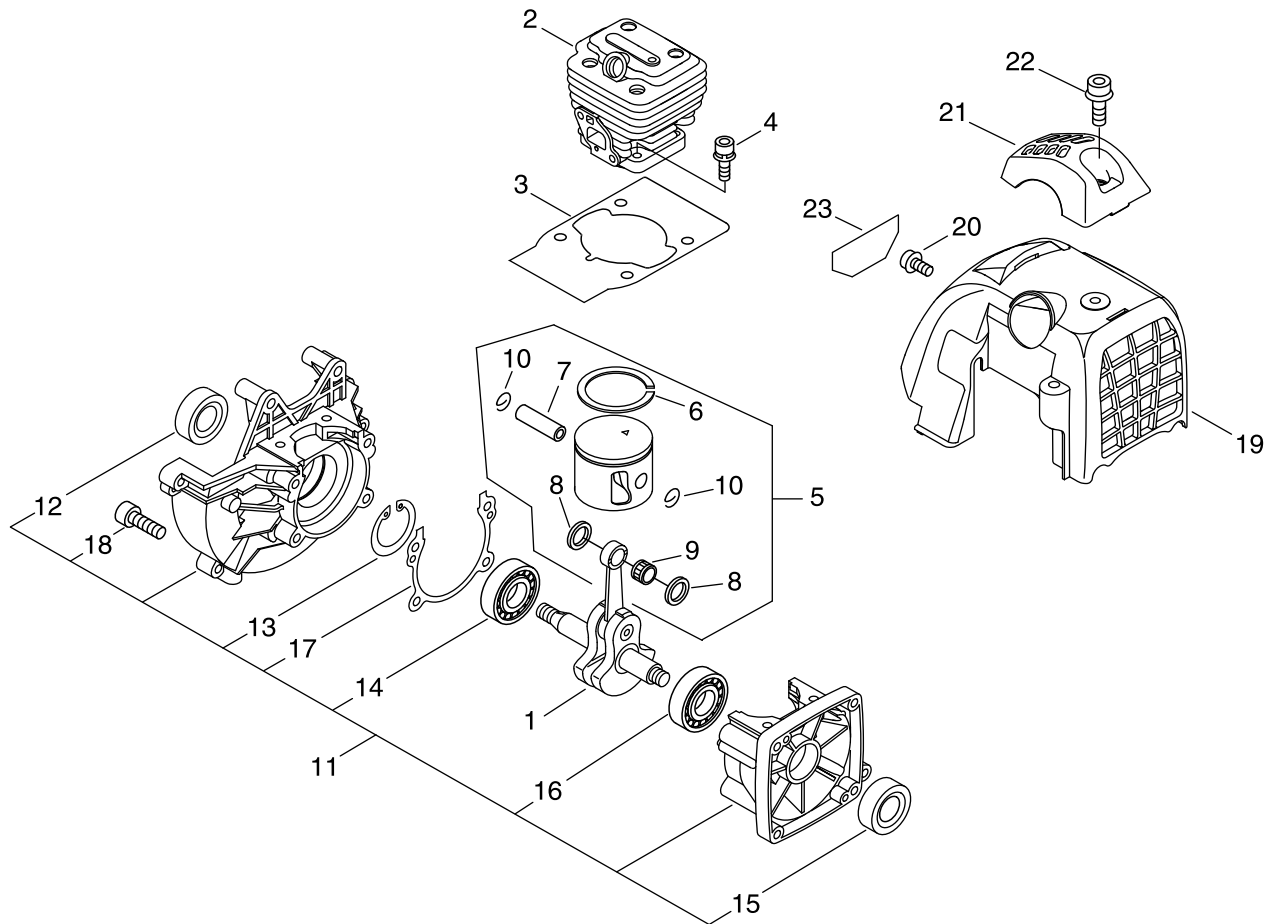


# **PARTS CATALOG**

**TRIMMER/BRUSHCUTTER**

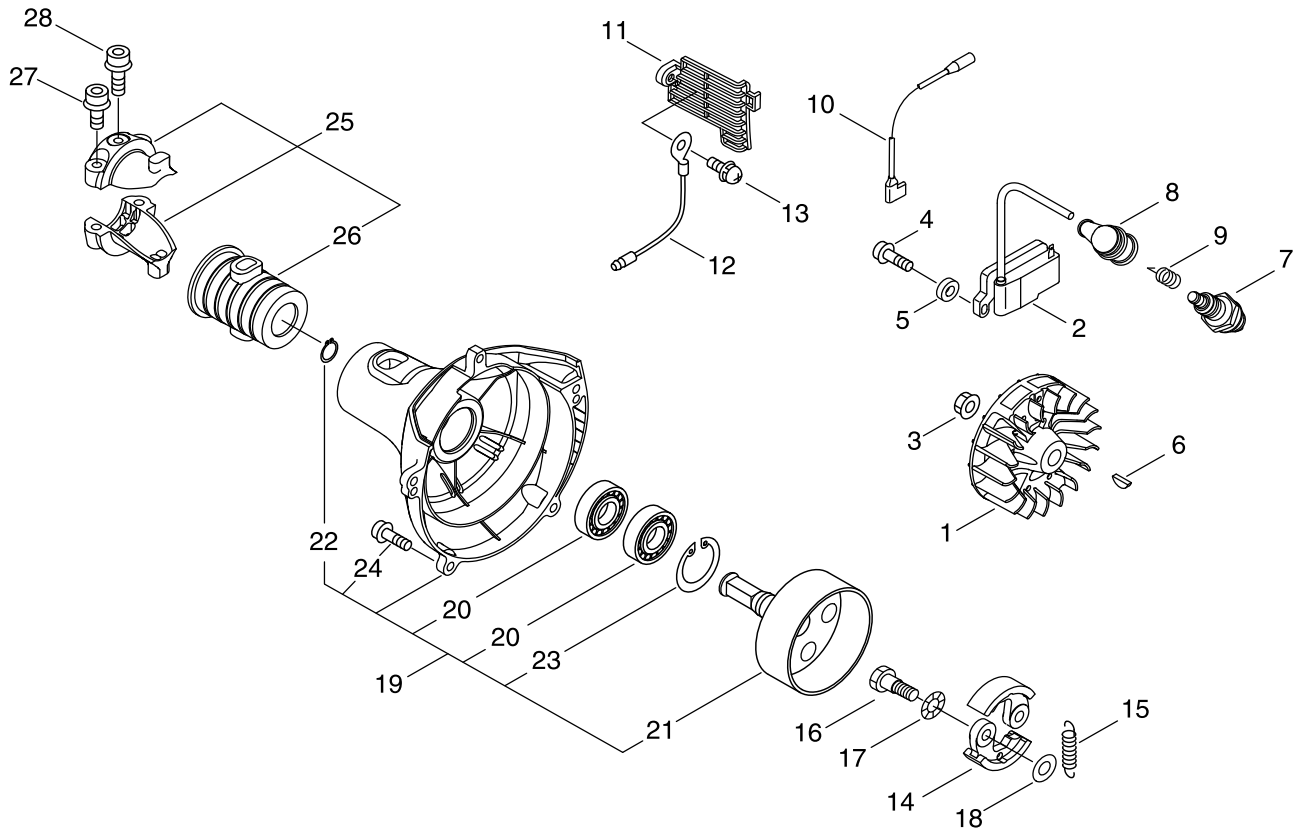
**SRM-300TES/U(37)**



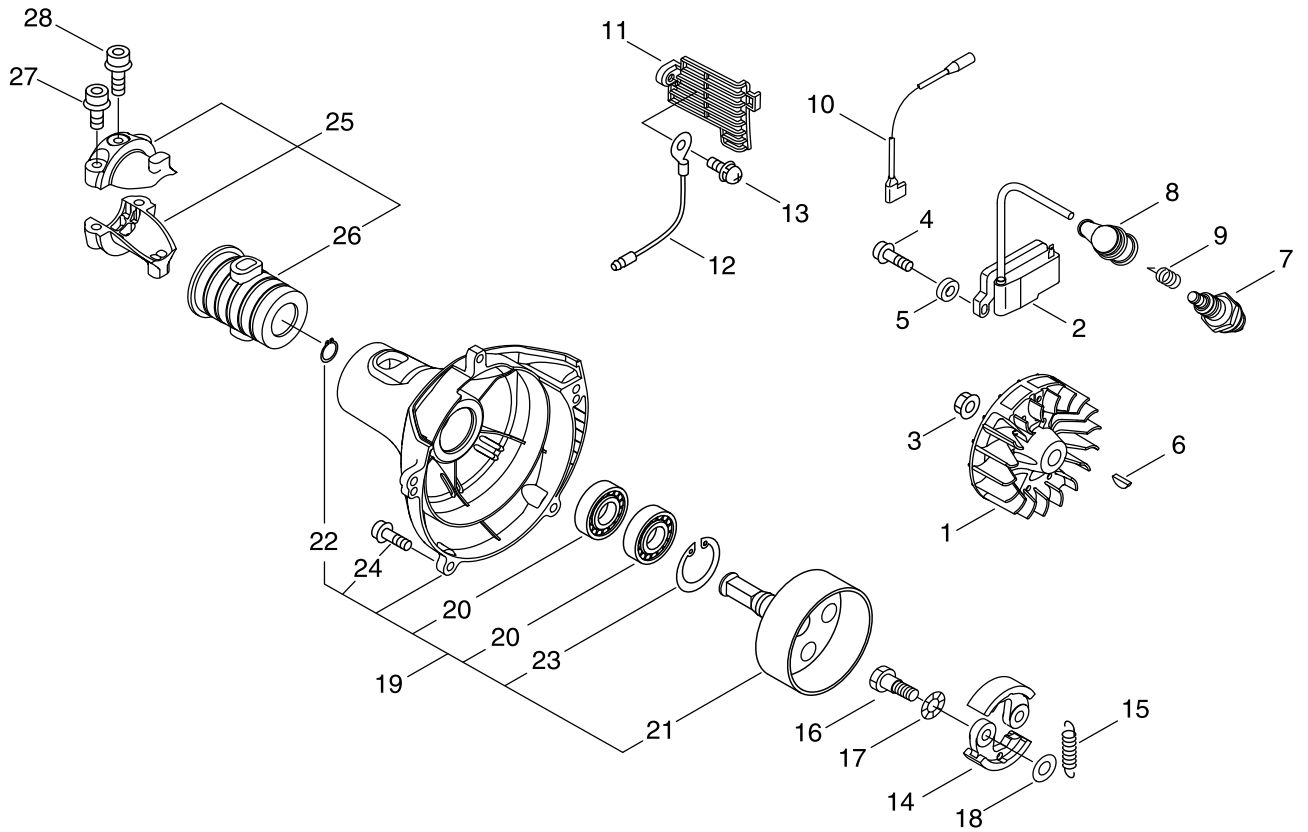
**1 CYLINDER, CRANKCASE, PISTON**

KEY	LV	PART NUMBER	Q'TY	DESCRIPTION	REMARKS
1		A011-000471	1	CRANKSHAFT,ASY	
2		A130-000800	1	CYLINDER	
3		V100-000201	1	GASKET,CYL	
4		91128-05025	4	BOLT HSH	
5		P021-010730	1	PISTON KIT	
6	+	A101-000170	1	RING, PISTON	
7	+	100013-35430	1	PIN, PISTON	
8	+	V306-000200	2	WASHER,CIRCULAR 8	
9	+	100012-16131	1	BEARING, NEEDLE	
10	+	100015-03931	2	CIRCLIP, PISTON PIN	
11		P021-010741	1	CRANKCASE KIT	
12	+	100212-03930	1	OILSEAL	
13	+	900702-00032	1	CIRCLIP 32	
14	+	94035-36201	1	BEARING BALL	
15	+	V505-000020	1	SEAL,OIL 12	
16	+	94035-36201	1	BEARING BALL	
17	+	V102-000030	1	GASKET,CRANKCASE	
18	+	91128-05028	4	BOLT HSH	
19		A160-000800	1	COVER,CYLINDER	
20		91121-05010	1	BOLT, FLANGE	
21		A162-000110	1	GUARD, TOP	
22		V203-000290	1	BOLT, 5	
23		X547-001810	1	LABEL,ECHO	

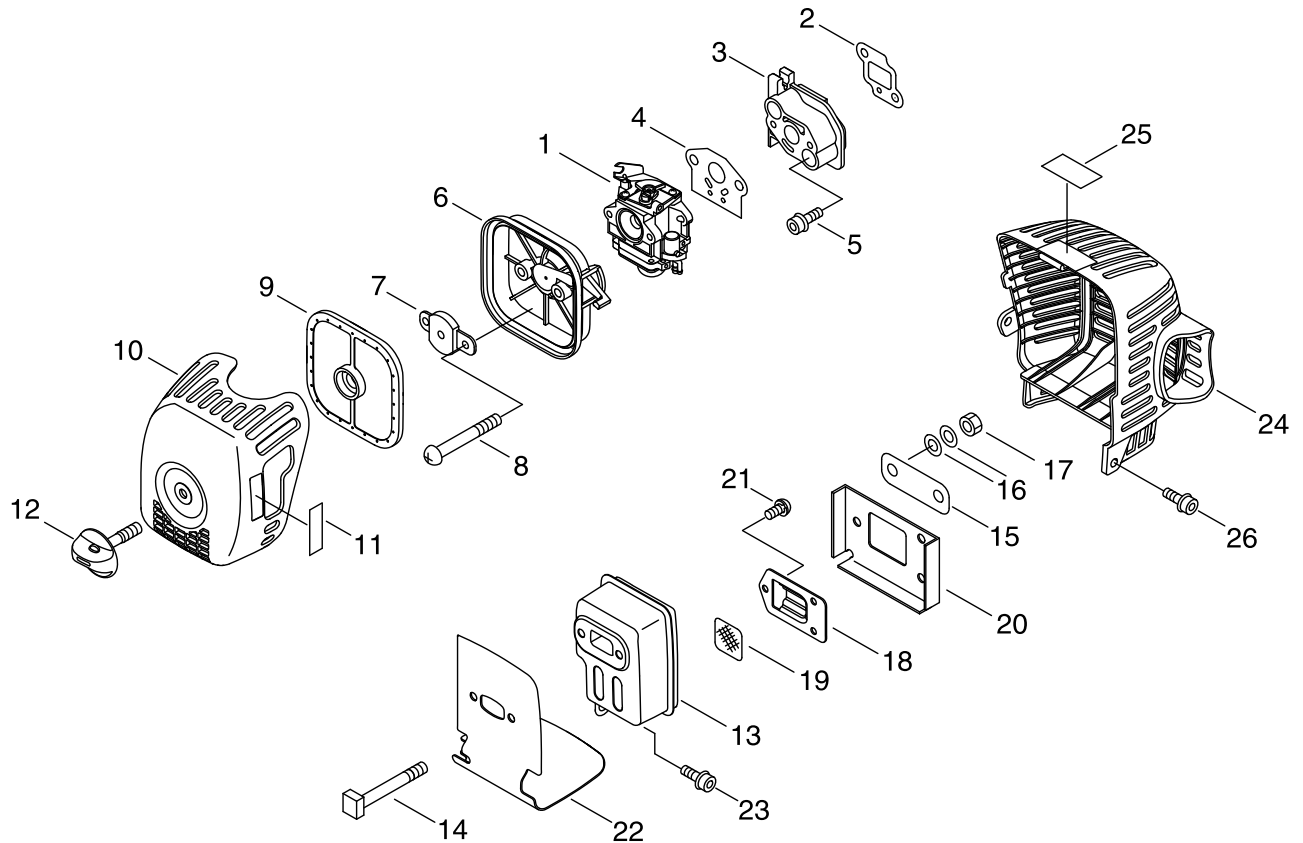
2 MAGNETO, CLUTCH



KEY	LV	PART NUMBER	Q'TY	DESCRIPTION	REMARKS
1		A409-000290	1	ROTOR, MAGNETO	
2		A411-000312	1	COIL, IGNITION	
3		900515-00008	1	NUT, FLANGE 8	
4		900162-05020	2	BOLT, H.S. 5*20	
5		V323-000070	2	WASHER,CIRCULAR 5	
6		100142-12330	1	KEY, WOODRUFF	
7		A425-000000	1	SPARKPLUG	
8		159012-03433	1	CAP, SPARK PLUG	
9		159011-03432	1	COIL, SPARK PLUG	
10		V485-000810	1	LEAD	
11		A127-000150	1	COVER,DUST	
12		162014-27230	1	LEAD, GROUND	
13		900242-05010	1	SCREW 5*10	
14		A553-000050	2	ARM, CLUTCH	
15		A566-000020	1	SPRING, CLUTCH	
16		175046-56030	2	SHAFT, CLUTCH	
17		175049-56030	2	WASHER	
18		175048-05530	2	WASHER (I)	
19		P021-014330	1	COVER ASY, FAN	
20	+	900807-06001	2	BEARING, BALL 6001	
21	+	A556-000430	1	DRUM, CLUTCH	
22	+	900701-00012	1	CIRCLIP 12	
23	+	900702-00028	1	CIRCLIP 28	
24	+	91121-05020	4	BOLT, FLANGE	
25		P021-013900	1	FIXTURE,MAIN PIPE	
26	+	V420-001400	1	CUSHION	

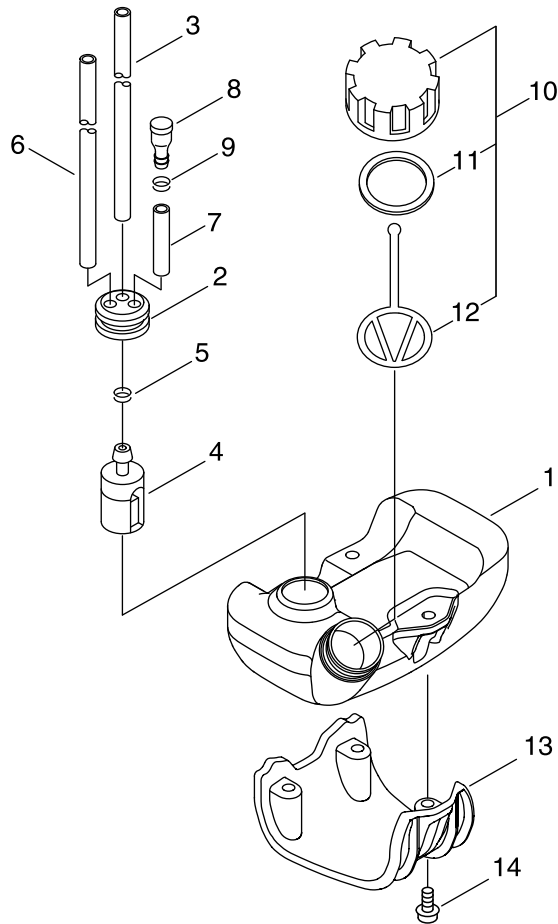


KEY	LV	PART NUMBER	Q'TY	DESCRIPTION	REMARKS
27		91121-05025	2	BOLT, FLANGE	
28		91121-05010	1	BOLT, FLANGE	

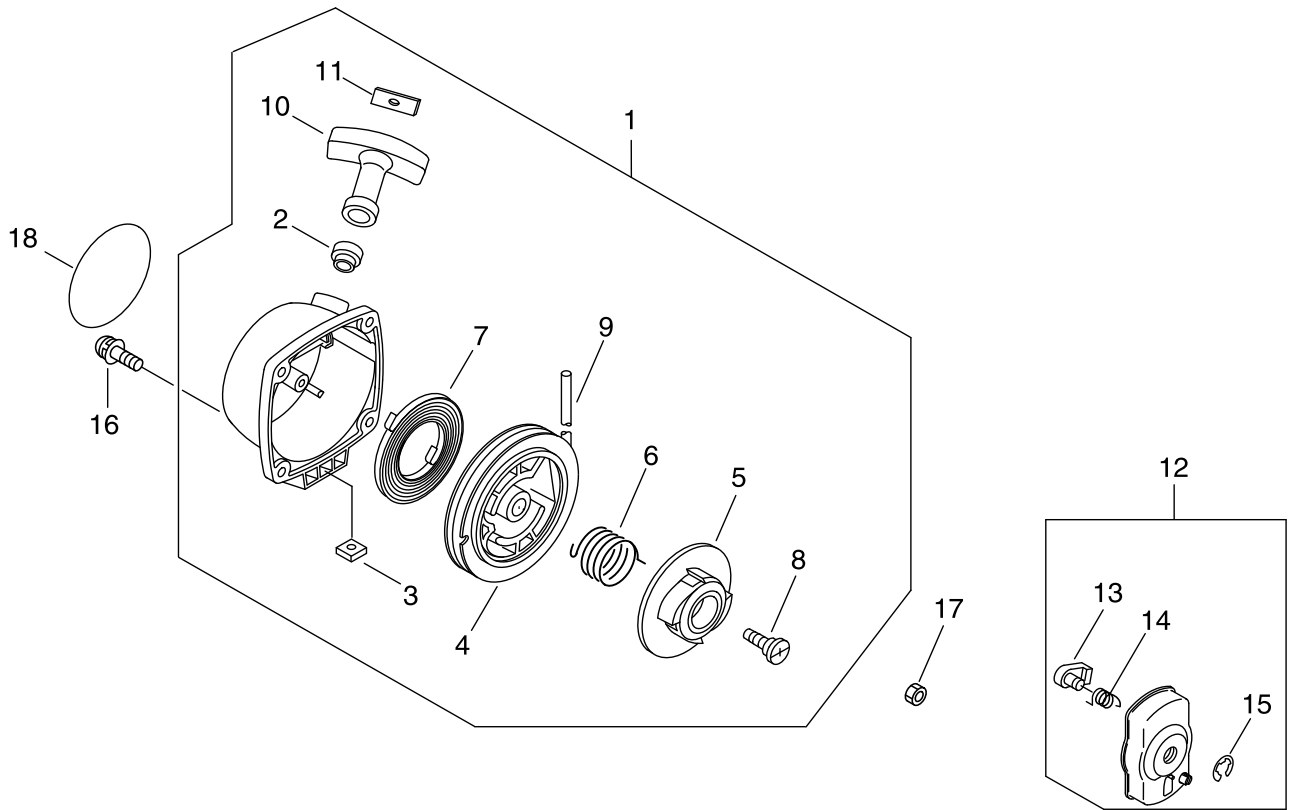


KEY	LV	PART NUMBER	Q'TY	DESCRIPTION	REMARKS
1		A021-001340	1	CARBURETOR,DIAPHRAGM	
2		V103-000380	1	GASKET,INTAKE	
3		A200-000270	1	INSULATOR, INTAKE	
4		V103-000160	1	GASKET,INTAKE	
5		900106-05030	2	BOLT, H.S.H. 5*30	
6		P021-013820	1	CASE, AIR CLEANER	
7		A244-000070	1	PLATE,PREVENT	
8		900242-05060	2	SCREW 5*60	
9		A226-000472	1	ELEMENT, AIR FILTER	
10		A232-000360	1	LID,CLEANER	
11		890332-52730	1	LABEL, CHOKE	
12		V299-000250	1	KNOB,FASTENER	
13		A300-000640	1	MUFFLER, EXHAUST	
14		V203-000120	2	BOLT,5	
15		V150-001760	1	PLATE,EYE	
16		92280-05000	2	WASHER, NORD-LOCK	
17		900500-00005	2	NUT 5	
18		A313-000860	1	GUIDE, EXHAUST	
19		145862-40630	1	SCREEN, MUFFLER	
20		V104-000790	1	GASKET,EXHAUST	
21		91367-04010	3	SCREW	
22		V104-000810	1	GASKET,EXHAUST	
23		900106-05016	1	BOLT, H.S. 5*16	
24		A320-000400	1	COVER,MUFFLER	
25		X505-002310	1	LABEL,CAUTION	
26		V203-000280	1	BOLT,5	

**4 FUEL TANK**

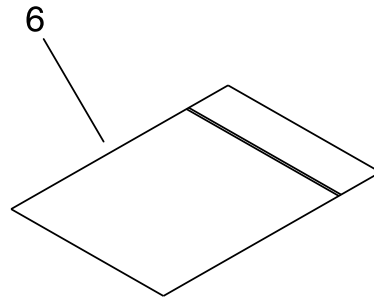
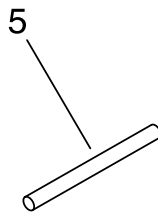
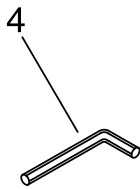
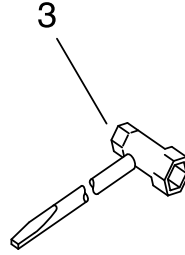
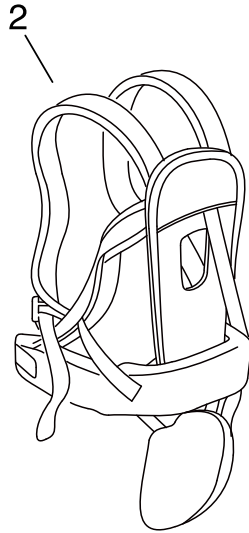
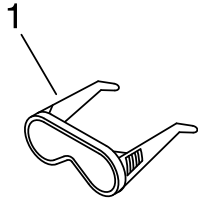


KEY	LV	PART NUMBER	Q'TY	DESCRIPTION	REMARKS
1		A350-000500	1	TANK, FUEL	
2		132115-55930	1	GROMMET, FUEL	
3		V470-000580	1	PIPE	
4		131205-19832	1	STRAINER, FUEL	
5		V490-001240	1	CLIP	
6		132012-56030	1	PIPE	
7		V471-000110	1	PIPE	
8		A356-000031	1	VALVE,CHECK	
9		V490-001230	1	CLIP	
10		P021-012210	1	CAP,FUEL ASY	
11	+	131016-55830	1	GASKET, FUEL CAP	
12	+	A365-000060	1	CONNECTOR,CAP	
13		A175-000040	1	STAND	
14		91121-05020	3	BOLT, FLANGE	



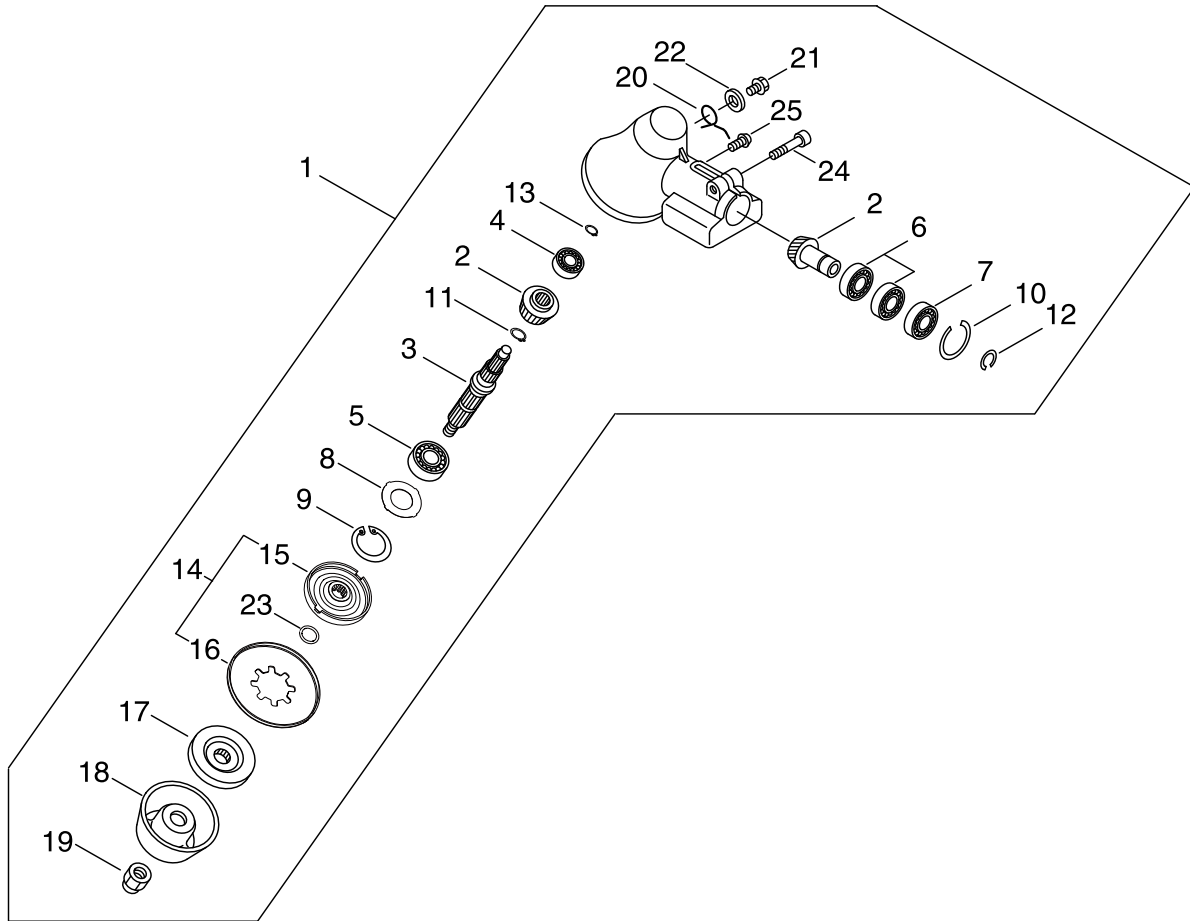
KEY	LV	PART NUMBER	Q'TY	DESCRIPTION	REMARKS
1		A051-001212	1	STARTER,RECOIL ASY	
2	+	177227-42030	1	GUIDE, ROPE	
3	+	900565-00005	1	NUT	
4	+	P022-033320	1	DRUM, STARTER	
5	+	P022-033310	1	PLATE, CAM	
6	+	P022-008270	1	SPRING,DAMPER	
7	+	177220-40630	1	SPRING, REWIND	
8	+	177236-61830	1	SCREW	
9	+	P022-022110	1	ROPE, STARTER	
10	+	177228-27030	1	GRIP, STARTER	
11	+	177246-11120	1	CLIP, STARTER ROPE	
12		A052-000180	1	PULLEY,ASM STARTER	
13	+	P022-006850	2	PAWL, STARTER	
14	+	P022-006510	2	SPRING, RETURN	
15	+	P022-002100	2	E-RING	
16		V203-000280	4	BOLT,5	
17		900502-00008	1	NUT 8 (3N)	
18		X502-000890	1	LABEL,ECHO	

**6 ACCESSORIES**

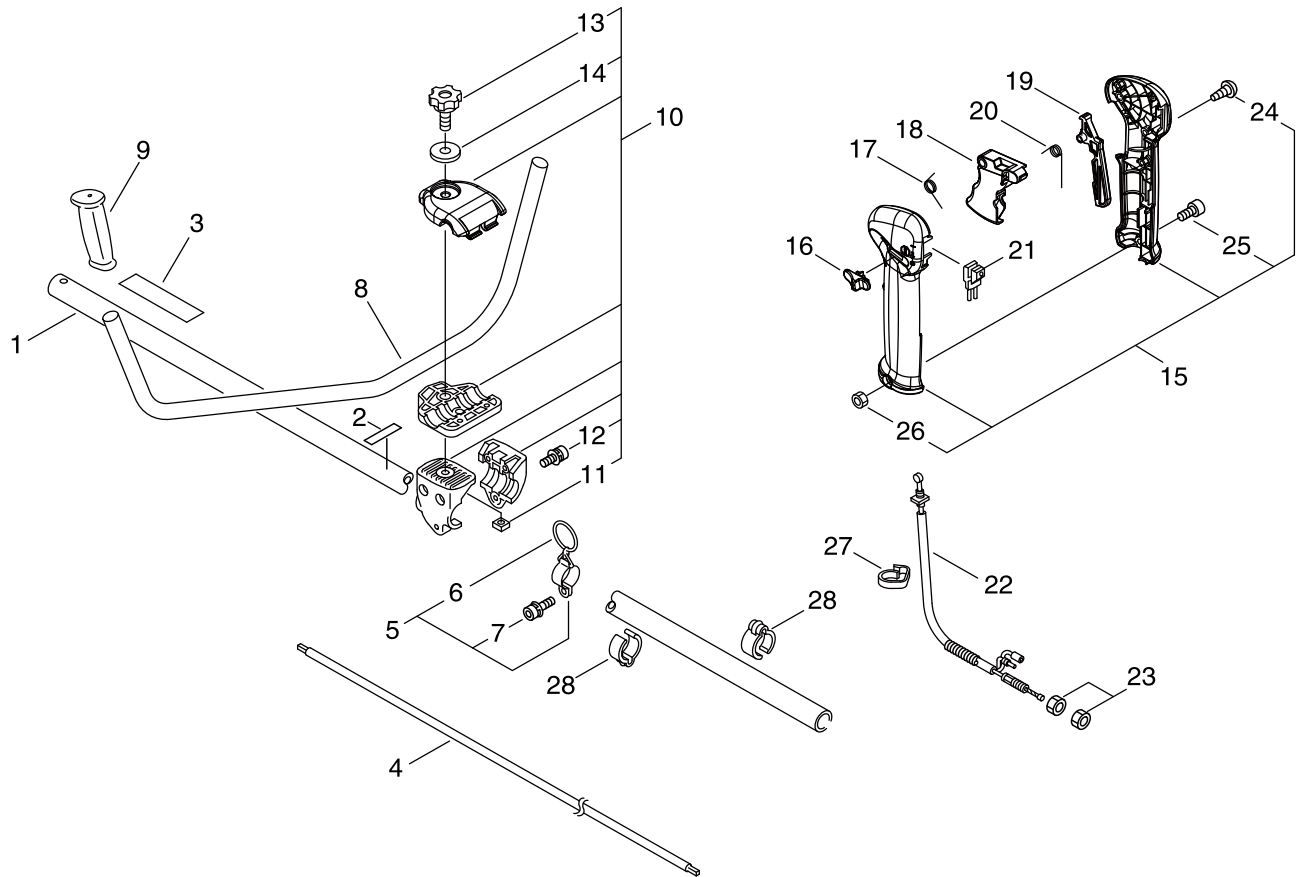


KEY	LV	PART NUMBER	Q'TY	DESCRIPTION	REMARKS
1		X690-000080	1	GOGGLE	
2		C062-000194	1	HARNESS, SHOULDER	
3		X602-000020	1	TOOL, WRENCH	
4		X605-000100	1	TOOL, L WRENCH	
5		X606-000080	1	TOOL, BAR	
6		898510-07130	1	BAG, TOOL	

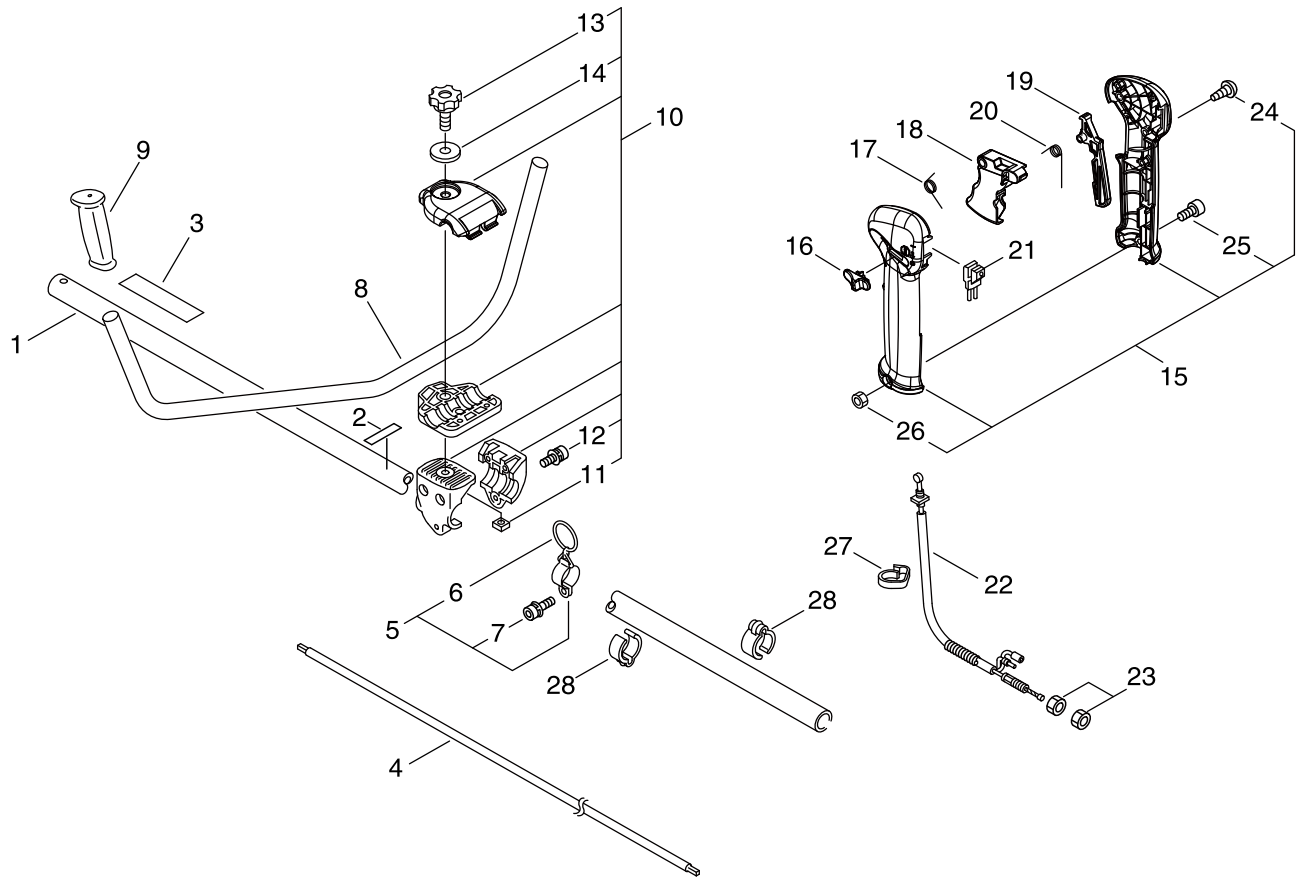




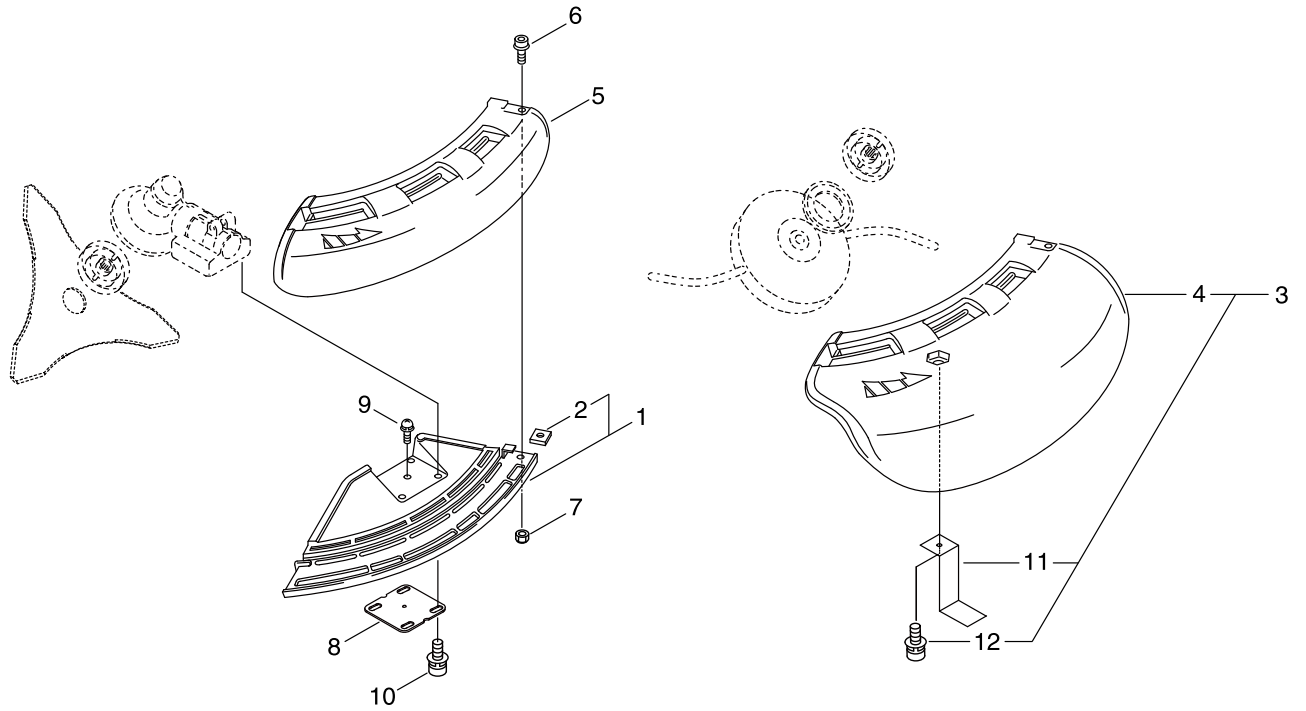
KEY	LV	PART NUMBER	Q'TY	DESCRIPTION	REMARKS
1		P021-035820	1	HOUSING ASY,GEAR	
2	+	V000-000110	1	GEAR SET, BEVEL	
3	+	C534-000850	1	SHAFT, GEAR	
4	+	900810-00629	1	BEARING, BALL 629	
5	+	900812-06302	1	BEARING, BALL	
6	+	900855-06900	2	BEARING, BALL 6900	
7	+	900858-06900	1	BEARING, BALL 6900Z	
8	+	V313-000090	1	WASHER,CIRCULAR 20	
9	+	900702-00042	1	CIRCLIP 42	
10	+	900702-00022	1	CIRCLIP 22	
11	+	900706-00012	1	CIRCLIP 12	
12	+	900706-00010	1	CIRCLIP 10	
13	+	900701-00009	1	CIRCLIP 9	
14	+	C535-000920	1	FIXTURE, BLADE	
15	++	C535-000930	1	FIXTURE, BLADE	
16	++	610352-56830	1	PLATE, CUP	
17	+	610314-52130	1	PLATE, ADAPTER (L)	
18	+	699229-56830	1	PLATE, COVER	
19	+	610320-52130	1	NUT 10	
20	+	V452-001310	1	SPRING,TORSION	
21	+	610434-50031	1	BOLT 8* 8	
22	+	900603-50008	1	WASHER	
23	+	900720-00012	1	O-RING 12	
24	+	91118-06025	1	BOLT	
25	+	900242-05010	1	SCREW 5*10	



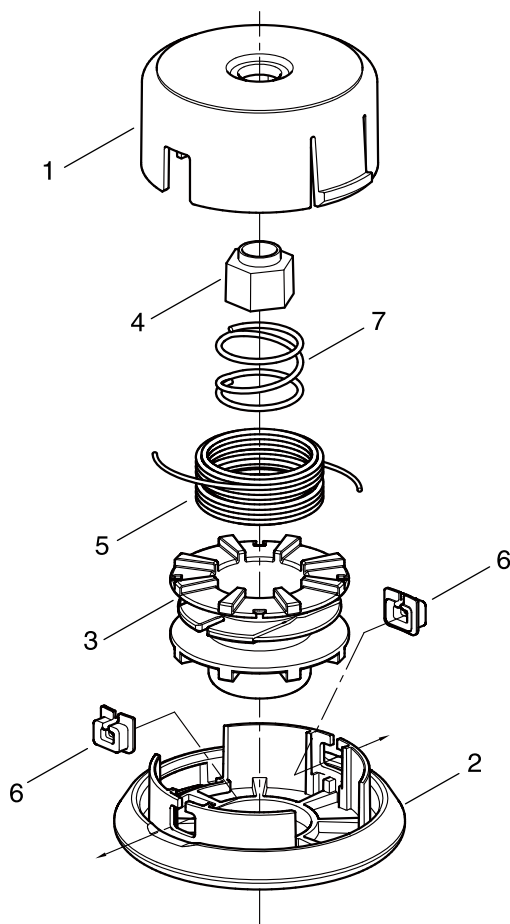
KEY	LV	PART NUMBER	Q'TY	DESCRIPTION	REMARKS
1		C050-000870	1	PIPE, MAIN	
2		890152-04930	1	LABEL, CAUTION	
3		890617-43130	1	LABEL, CAUTION	
4		C504-000050	1	SHAFT, DRIVE	
5		P021-013580	1	RING, HARNESS KIT	
6	+	301015-05330	1	HOOK, BAND	
7	+	91121-05012	1	BOLT, FLANGE	
8		C400-000211	1	HANDLE, FRONT	
9		C403-000031	1	GRIP, HANDLE	
10		P021-012821	1	FIXTURE, ASY HANDLE	
11	+	900565-50008	1	NUT	
12	+	91118-05030	3	BOLT	
13	+	V299-000110	1	KNOB, FASTENER	
14	+	605014-54230	1	WASHER	
15		P021-014090	1	GRIP ASY, F-HANDLE	
24	+	900256-04016	3	SCREW 4*16	
25	+	91119-05030	1	BOLT	
26	+	900500-00005	1	NUT 5	
16		C463-000020	1	KNOB, LATCH	
17		V452-000360	1	SPRING, TORSION	
18		C450-000270	1	CONTROL, THROTTLE	
19		C460-000111	1	LOCKOUT, THROTTLE	
20		V452-000350	1	SPRING, TORSION	
21		P021-042300	1	SWITCH, ON OFF	
22		V430-002080	1	CABLE, BOWDEN	
23		900502-00006	2	NUT 6 (3N)	



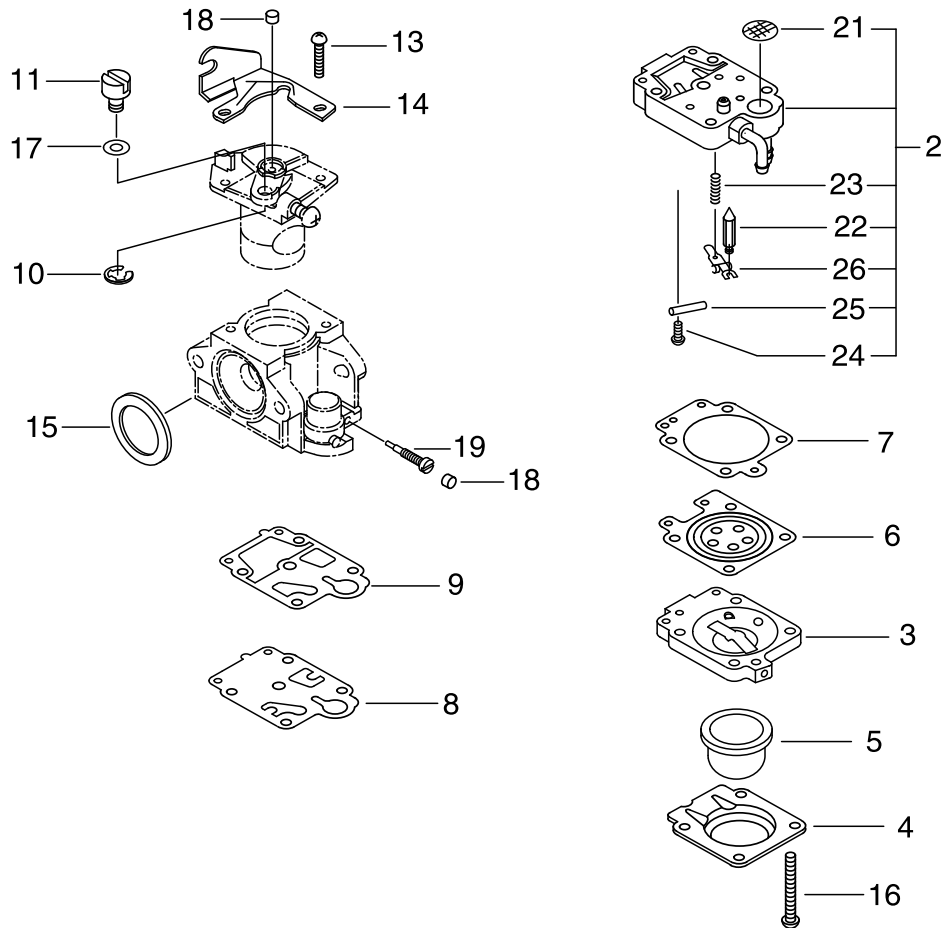
KEY	LV	PART NUMBER	Q'TY	DESCRIPTION	REMARKS
27		159112-09961	1	CLIP	
28		224924-52130	2	CLIP	



KEY	LV	PART NUMBER	Q'TY	DESCRIPTION	REMARKS
1		C550-000511	1	SHIELD,BLADE	
2	+	900565-00005	1	NUT	
3		P021-013775	1	SHIELD KIT	
4	+	C550-000570	1	SHIELD,BLADE	
11	+	C554-000030	1	KNIFE, CORD	
12	+	91118-05018	1	BOLT	
5		C550-000551	1	SHIELD,BLADE	
6		91121-05025	1	BOLT, FLANGE	
7		900562-00005	1	NUT, LOCK	
8		C552-000200	1	PLATE, SHIELD	
9		91316-04010	1	SCREW	
10		V203-001980	4	BOLT,5	



KEY	LV	PART NUMBER	Q'TY	DESCRIPTION	REMARKS
		X047-000321	1	CUTTER,ASM LINE	
1	+	P022-010420	1	HOUSING	
2	+	P022-010410	1	COVER	
3	+	P022-010400	1	BOBBIN	
4	+	P022-023180	1	NUT	
5	+	P022-010380	1	NYLON CODE	
6	+	P022-000710	2	EYELET	
7	+	P022-010370	1	SPRING	



KEY	LV	PART NUMBER	Q'TY	DESCRIPTION	REMARKS
		A021-001340	1	CARBURETOR,DIAPHRAGM	
	2	+ P003-000440	1	BODY ASY, PUMP	
	21	++ 123126-10631	1	SCREEN, INLET	
	22	++ 123137-19830	1	VALVE, INLET NEEDLE	
	23	++ P003-000450	1	SPRING, METER. LEVER	
	24	++ 123139-05560	1	SCREW, M. LEVER PIN	
	25	++ 123138-03930	1	PIN, METERING LEVER	
	26	++ 123123-03930	1	LEVER, METERING	
	3	+ 123180-05560	1	BODY, AIR PURGE	
	4	+ 123142-05560	1	COVER, PRIMER PUMP	
	5	+ 123181-40630	1	PUMP, PRIMER	
	6	+ P003-001850	1	DIAPHRAGM, METERING	
	7	+ 123140-05560	1	GASKET, M. DIAPHRAGM	
	8	+ 123112-40630	1	DIAPHRAGM, PUMP	
	9	+ P003-000100	1	GASKET, PUMP	
	10	+ 123173-07930	1	CLIP	
	11	+ 123172-45130	1	SWIVEL	
	13	+ 123114-40630	2	SCREW	
	14	+ P003-000180	1	BRACKET CABLE	
	15	+ 123143-12110	1	RING, PACKING	
	16	+ 123110-05560	4	SCREW, PUMP COVER	
	17	+ 123149-54230	1	WASHER	
	18	+ A259-000000	2	CAP,LIMITER	
	19	+ P003-001130	1	NEEDLE, HIGH SPEED	

**Index**

<b>Patrs Number</b>	<b>Key No.</b>	<b>Patrs Number</b>	<b>Key No.</b>	<b>Patrs Number</b>	<b>Key No.</b>
100012-16131	1 - 9	898510-07130	6 - 6	94035-36201	1 - 16
100013-35430	1 - 7	900106-05016	3 - 23	A011-000471	1 - 1
100015-03931	1 - 10	900106-05030	3 - 5	A021-001340	3 - 1
100142-12330	2 - 6	900162-05020	2 - 4	A021-001340	11 -
100212-03930	1 - 12	900242-05010	2 - 13	A051-001212	5 - 1
123110-05560	11 - 16	900242-05010	7 - 25	A052-000180	5 - 12
123112-40630	11 - 8	900242-05060	3 - 8	A101-000170	1 - 6
123114-40630	11 - 13	900256-04016	8 - 24	A127-000150	2 - 11
123123-03930	11 - 26	900500-00005	3 - 17	A130-000800	1 - 2
123126-10631	11 - 21	900500-00005	8 - 26	A160-000800	1 - 19
123137-19830	11 - 22	900502-00006	8 - 23	A162-000110	1 - 21
123138-03930	11 - 25	900502-00008	5 - 17	A175-000040	4 - 13
123139-05560	11 - 24	900515-00008	2 - 3	A200-000270	3 - 3
123140-05560	11 - 7	900562-00005	9 - 7	A226-000472	3 - 9
123142-05560	11 - 4	900565-00005	5 - 3	A232-000360	3 - 10
123143-12110	11 - 15	900565-00005	9 - 2	A244-000070	3 - 7
123149-54230	11 - 17	900565-50008	8 - 11	A259-000000	11 - 18
123172-45130	11 - 11	900603-50008	7 - 22	A300-000640	3 - 13
123173-07930	11 - 10	900701-00009	7 - 13	A313-000860	3 - 18
123180-05560	11 - 3	900701-00012	2 - 22	A320-000400	3 - 24
123181-40630	11 - 5	900702-00022	7 - 10	A350-000500	4 - 1
131016-55830	4 - 11	900702-00028	2 - 23	A356-000031	4 - 8
131205-19832	4 - 4	900702-00032	1 - 13	A365-000060	4 - 12
132012-56030	4 - 6	900702-00042	7 - 9	A409-000290	2 - 1
132115-55930	4 - 2	900706-00010	7 - 12	A411-000312	2 - 2
145862-40630	3 - 19	900706-00012	7 - 11	A425-000000	2 - 7
159011-03432	2 - 9	900720-00012	7 - 23	A553-000050	2 - 14
159012-03433	2 - 8	900807-06001	2 - 20	A556-000430	2 - 21
159112-09961	8 - 27	900810-00629	7 - 4	A566-000020	2 - 15
162014-27230	2 - 12	900812-06302	7 - 5	C050-000870	8 - 1
175046-56030	2 - 16	900855-06900	7 - 6	C062-000194	6 - 2
175048-05530	2 - 18	900858-06900	7 - 7	C400-000211	8 - 8
175049-56030	2 - 17	91118-05018	9 - 12	C403-000031	8 - 9
177220-40630	5 - 7	91118-05030	8 - 12	C450-000270	8 - 18
177227-42030	5 - 2	91118-06025	7 - 24	C460-000111	8 - 19
177228-27030	5 - 10	91119-05030	8 - 25	C463-000020	8 - 16
177236-61830	5 - 8	91121-05010	1 - 20	C504-000050	8 - 4
177246-11120	5 - 11	91121-05010	2 - 28	C534-000850	7 - 3
224924-52130	8 - 28	91121-05012	8 - 7	C535-000920	7 - 14
301015-05330	8 - 6	91121-05020	2 - 24	C535-000930	7 - 15
605014-54230	8 - 14	91121-05020	4 - 14	C550-000511	9 - 1
610314-52130	7 - 17	91121-05025	2 - 27	C550-000551	9 - 5
610320-52130	7 - 19	91121-05025	9 - 6	C550-000570	9 - 4
610352-56830	7 - 16	91128-05025	1 - 4	C552-000200	9 - 8
610434-50031	7 - 21	91128-05028	1 - 18	C554-000030	9 - 11
699229-56830	7 - 18	91316-04010	9 - 9	P003-000100	11 - 9
890152-04930	8 - 2	91367-04010	3 - 21	P003-000180	11 - 14
890332-52730	3 - 11	92280-05000	3 - 16	P003-000440	11 - 2
890617-43130	8 - 3	94035-36201	1 - 14	P003-000450	11 - 23

**Index**

<b>Patrs Number</b>	<b>Key No.</b>	<b>Patrs Number</b>	<b>Key No.</b>	<b>Patrs Number</b>	<b>Key No.</b>
P003-001130	11 - 19	V452-000360	8 - 17		
P003-001850	11 - 6	V452-001310	7 - 20		
P021-010730	1 - 5	V470-000580	4 - 3		
P021-010741	1 - 11	V471-000110	4 - 7		
P021-012210	4 - 10	V485-000810	2 - 10		
P021-012821	8 - 10	V490-001230	4 - 9		
P021-013580	8 - 5	V490-001240	4 - 5		
P021-013775	9 - 3	V505-000020	1 - 15		
P021-013820	3 - 6	X047-000321	10 -		
P021-013900	2 - 25	X502-000890	5 - 18		
P021-014090	8 - 15	X505-002310	3 - 25		
P021-014330	2 - 19	X547-001810	1 - 23		
P021-035820	7 - 1	X602-000020	6 - 3		
P021-042300	8 - 21	X605-000100	6 - 4		
P022-000710	10 - 6	X606-000080	6 - 5		
P022-002100	5 - 15	X690-000080	6 - 1		
P022-006510	5 - 14				
P022-006850	5 - 13				
P022-008270	5 - 6				
P022-010370	10 - 7				
P022-010380	10 - 5				
P022-010400	10 - 3				
P022-010410	10 - 2				
P022-010420	10 - 1				
P022-022110	5 - 9				
P022-023180	10 - 4				
P022-033310	5 - 5				
P022-033320	5 - 4				
V000-000110	7 - 2				
V100-000201	1 - 3				
V102-000030	1 - 17				
V103-000160	3 - 4				
V103-000380	3 - 2				
V104-000790	3 - 20				
V104-000810	3 - 22				
V150-001760	3 - 15				
V203-000120	3 - 14				
V203-000280	3 - 26				
V203-000280	5 - 16				
V203-000290	1 - 22				
V203-001980	9 - 10				
V299-000110	8 - 13				
V299-000250	3 - 12				
V306-000200	1 - 8				
V313-000090	7 - 8				
V323-000070	2 - 5				
V420-001400	2 - 26				
V430-002080	8 - 22				
V452-000350	8 - 20				



# YAMABIKO CORPORATION

7-2 SUEHIROCHO 1-CHOME, OHME, TOKYO 198-8760, JAPAN  
PHONE: 81-428-32-6118. FAX: 81-428-32-6145.



12Jb  
No. 05-078