



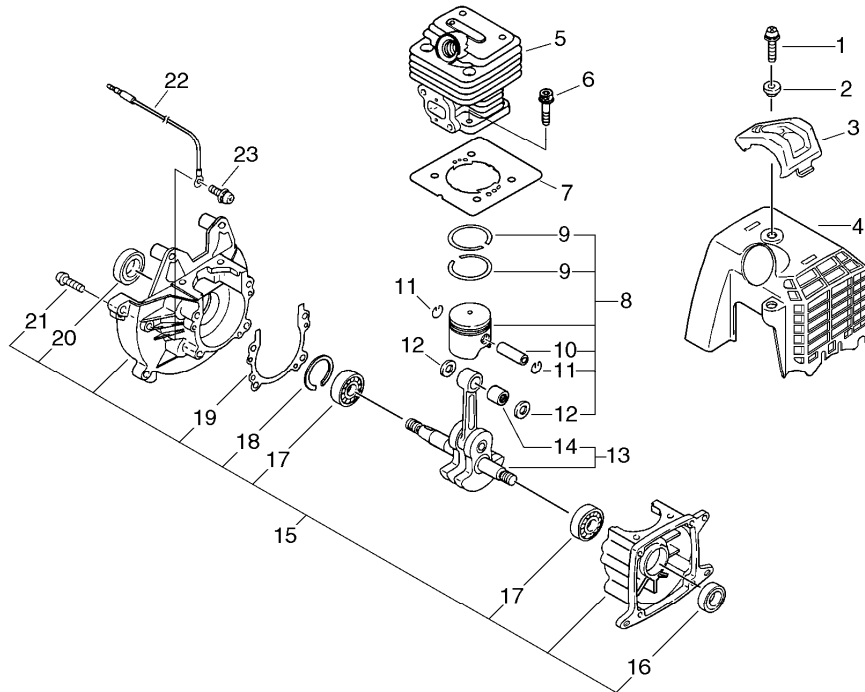
PARTS CATALOG

GRASS-TRIMMER / BRUSHCUTTER

SRM-240ES/L(37)

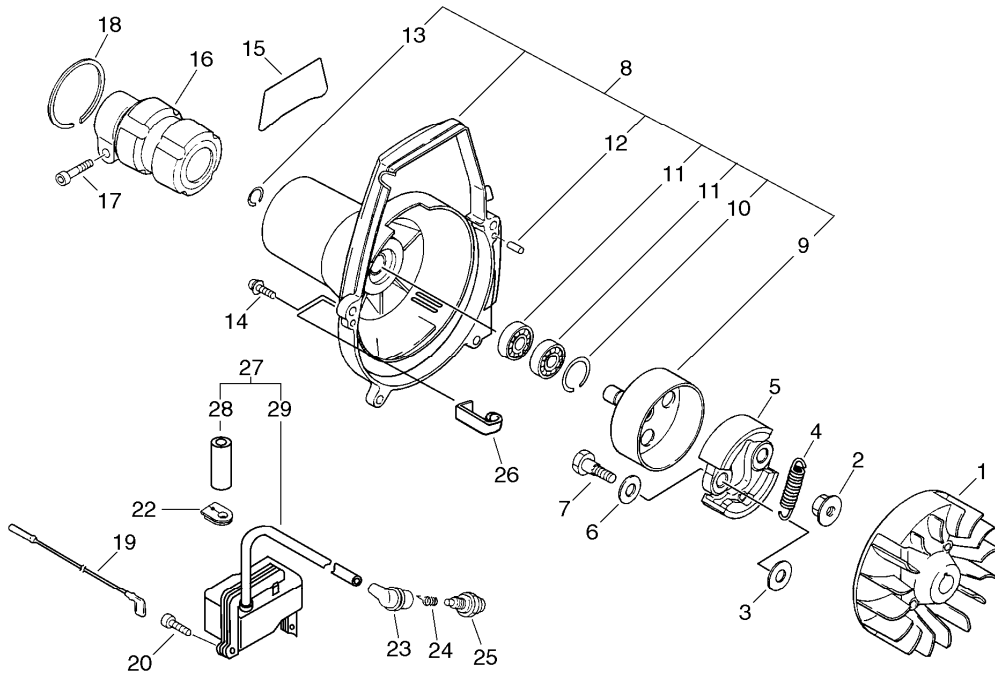
37000001 -

1. CYLINDER, CRANKCASE, PISTON



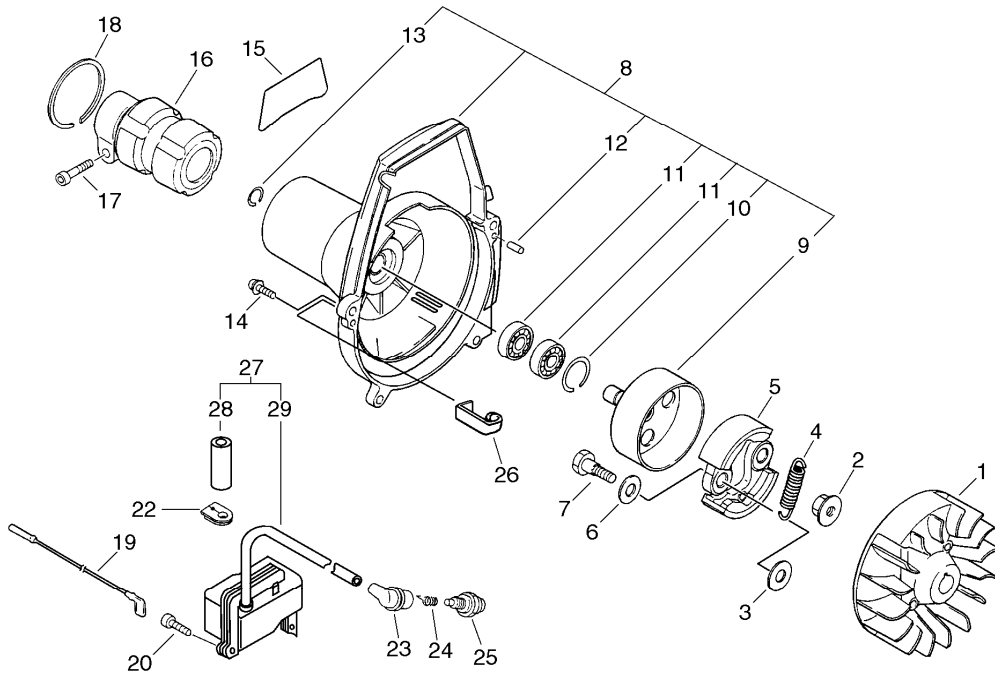
KEY	LV	PART NUMBER	Q'TY	DESCRIPTION	REMARKS	NOTE1	NOTE2
1		91121-05016	1	BOLT, FLANGE	10.9 SILVER		
2		V353-000020	1	COLLAR,5	12*5.5*4.5L		
3		A162-000000	1	GUARD, TOP			
4		A160-000060	1	COVER, CYLINDER			
5		A130-000341	1	CYLINDER			
6		900162-05022	4	BOLT, H.S. 5*22	5*22 W,SW		
7		V100-000060	1	GASKET, CYL			
8		P021-001102	1	PISTON KIT			
9	+	A101-000000	2	RING, PISTON			
10	+	100013-11520	1	PIN, PISTON			
11	+	100015-04630	2	CIRCLIP, PISTON PIN			
12	+	100014-11520	2	SPACER, PISTON PIN			
13		A011-000042	1	CRANKSHAFT, ASM			
14	+	V553-000010	1	BEARING, NEEDLE 8	HK0810		
15		P021-000941	1	CRANKCASE KIT			
16	+	100213-05530	1	OILSEAL	ISCD 12 22 7		
17	+	900800-36001	2	BEARING, BALL 6001	6001/C3		
18	+	900702-00028	1	CIRCLIP 28	CR-28		
19	+	100242-55930	1	GASKET, CRANKCASE			
20	+	100212-28230	1	OILSEAL ISCD 12*28*7	ISCD 12*28*7		
21	+	900162-05025	4	BOLT, H.S. 5*25	5*25 W,SW		
22		162014-52930	1	LEAD, GROUND			
23		900242-05010	1	SCREW 5*10	5*10		

2. FAN CASE



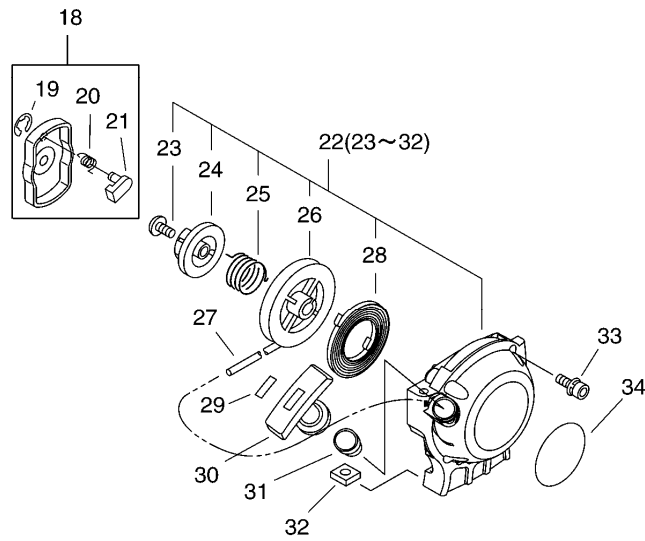
KEY	LV	PART NUMBER	Q'TY	DESCRIPTION	REMARKS	NOTE1	NOTE2
1		A409-000130	1	ROTOR,MAGNETO			
2		900515-00008	1	NUT, FLANGE 8	8		
3		175048-05530	2	WASHER (I)	6.2*19*1.0		
4		V451-000400	1	SPRING,TENSION			
5		A553-000010	2	ARM,CLUTCH			
6		175049-56030	2	WASHER	8.5*16*0.5		
7		175046-56030	2	SHAFT, CLUTCH			
8		P021-034570	1	COVER ASY, FAN			
9	+	A556-000040	1	DRUM,CLUTCH			
10	+	900702-00028	1	CIRCLIP 28	CR-28		
11	+	900807-06001	2	BEARING, BALL 6001	6001V(LB)		
12	+	100215-03930	2	PIN, DOWEL			
13	+	900701-00012	1	CIRCLIP 12	CS-12		
14		91118-05018	2	BOLT	CM-5*18		
15		X547-001740	1	LABEL,ECHO			
16		610922-55931	1	HOLDER, MAIN PIPE			
17		91118-05028	1	BOLT	CM-5*28		
18		900702-00042	1	CIRCLIP 42	CR-42		
19		162010-56430	1	LEAD, GROUND	145L		
20		900162-05016	2	BOLT, H.S. 5*16	5*16 W,SW		
22		156112-40630	1	GROMMET			
23		159012-03433	1	CAP, SPARK PLUG			
24		159011-03432	1	COIL, SPARK PLUG			
25		A425-000000	1	SPARKPLUG	BPMR8Y		
26		178111-06230	1	CLIP			
27		P021-003910	1	COIL IGNITION(W/PLUG			

2. FAN CASE



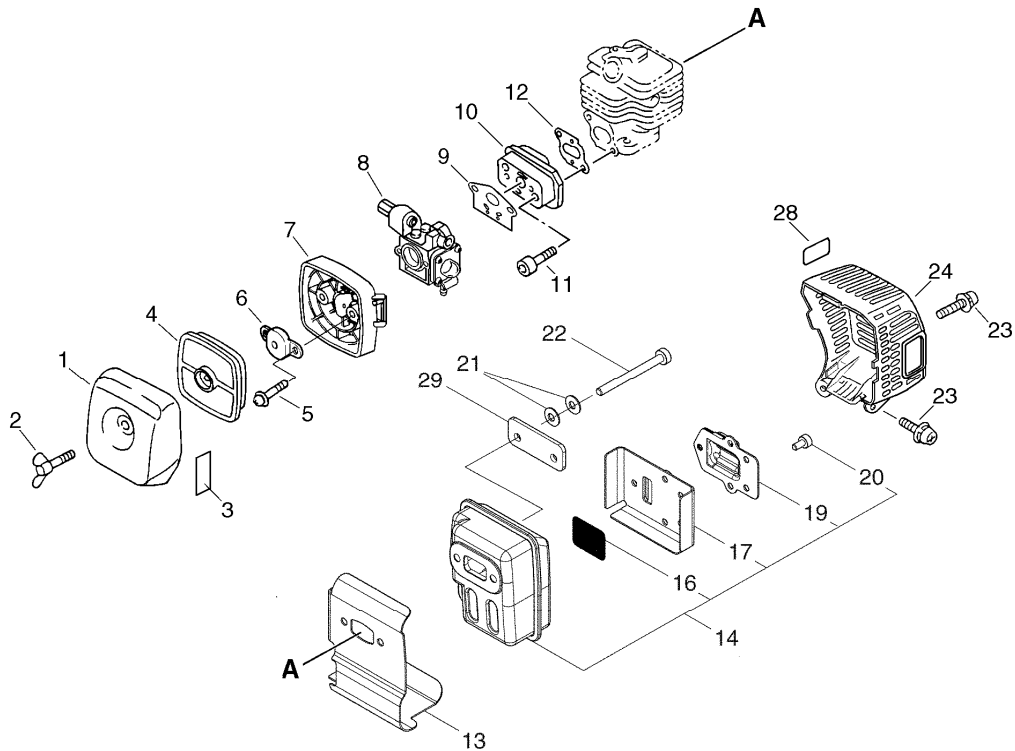
KEY	LV	PART NUMBER	Q'TY	DESCRIPTION	REMARKS	NOTE1	NOTE2
28	+	V475-002200	1	TUBE			
29	+	A411-000110	1	COIL,IGNITION			

3. RECOIL STARTER



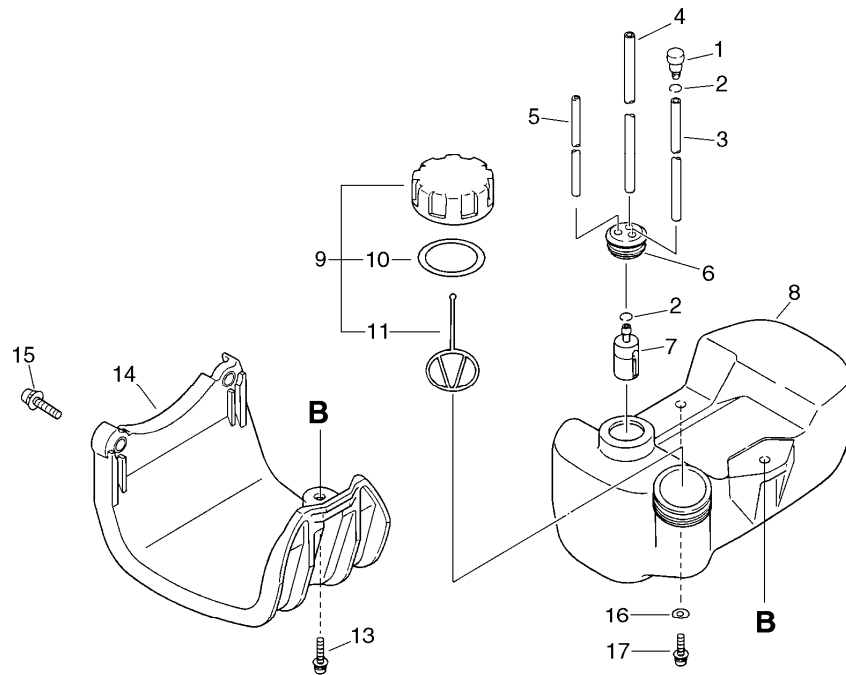
KEY	LV	PART NUMBER	Q'TY	DESCRIPTION	REMARKS	NOTE1	NOTE2
18		A052-000180	1	PULLEY,ASM STARTER			
19	+	P022-002100	2	E-RING	4		
20	+	P022-006510	2	SPRING, RETURN			
21	+	P022-006850	2	PAWL, STARTER			
22		A051-001000	1	STARTER,RECOIL ASY			
23	+	177236-61830	1	SCREW			
24	+	P022-008280	1	PLATE, CAM			
25	+	P022-008270	1	SPRING,DAMPER			
26	+	P022-006830	1	DRUM			
27	+	P022-008260	1	ROPE	3M/M		
28	+	177220-42030	1	SPRING, REWIND			
29	+	P022-001350	1	STOPPER, ROPE			
30	+	177228-27030	1	GRIP, STARTER			
31	+	177227-42030	1	GUIDE, ROPE			
32	+	900565-00005	1	NUT	5		
33		91118-04014	4	BOLT	CM-4*14		
34		X502-000330	1	LABEL,ECHO	ECHO		

4. AIR CLEANER, MUFFLER



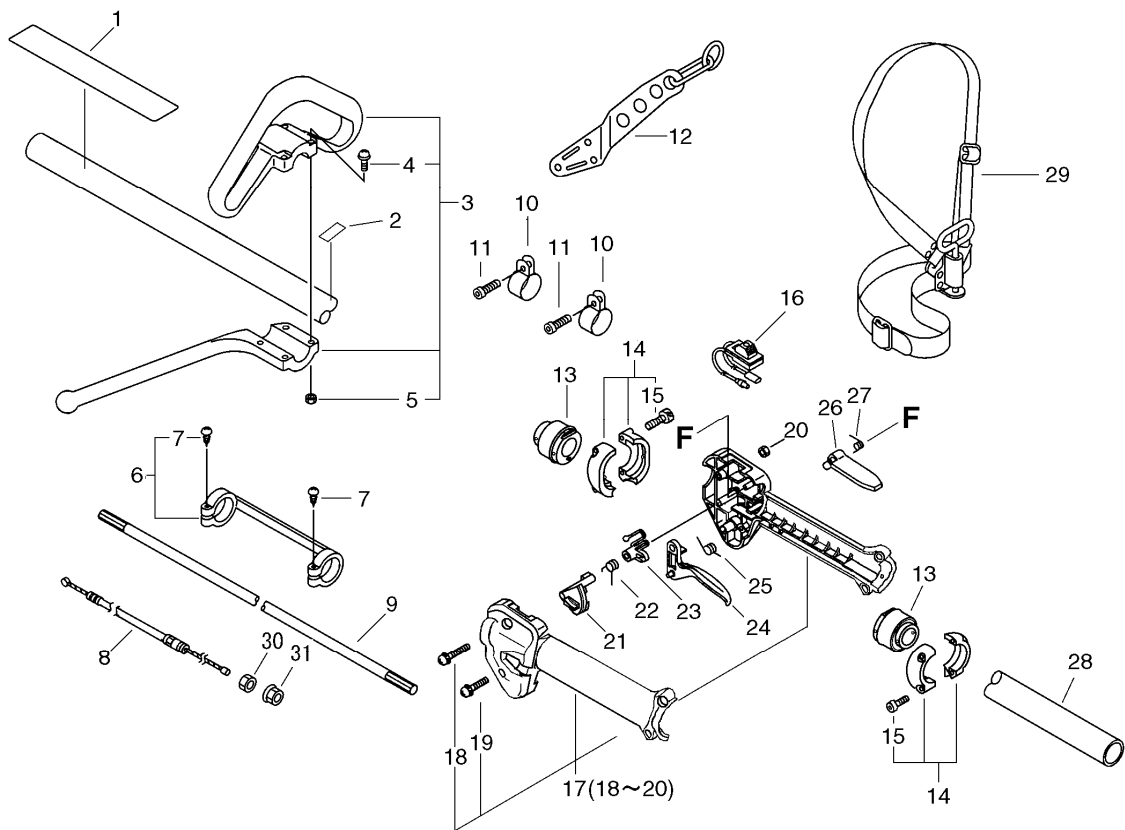
KEY	LV	PART NUMBER	Q'TY	DESCRIPTION	REMARKS	NOTE1	NOTE2
1		130313-05863	1	LID, AIR CLEANER			
2		210417-52730	1	BOLT, WING	5*20		
3		890332-52730	1	LABEL, CHOKE			
4		130310-54130	1	FILTER, AIR			
5		900242-05060	2	SCREW 5*60	5*60		
6		129011-52730	1	PLATE, PREVENT			
7		P021-034600	1	CASE, AIR CLEANER			
8		A021-003220	1	CARBURETOR,DIAPHRAGM			
9		130010-13410	1	GASKET, INTAKE			
10		130017-56431	1	INSULATOR			
11		900162-05025	2	BOLT, H.S. 5*25	5*25 W,SW		
12		130010-55930	1	GASKET, INTAKE			
13		V104-000061	1	GASKET,EXHAUST			
14		P021-002164	1	MUFFLER ASY			
16	+	145862-40630	1	SCREEN, MUFFLER			
17	+	V104-000360	1	GASKET,EXHAUST			
19	+	A313-000130	1	GUIDE,EXH			
20	+	91367-04010	5	SCREW	4*10/SW(SUS)		
21		V347-000000	4	WASHER,CONICAL			
22		900105-05055	2	BOLT, H.S. 5*55	5*55		
23		91121-05012	2	BOLT, FLANGE	10.9 SILVER		
24		A320-000003	1	COVER,MUFFLER			
28		X505-002310	1	LABEL,CAUTION	HOT CAUTION		
29		V150-000371	1	PLATE,EYE			

5. FUEL TANK



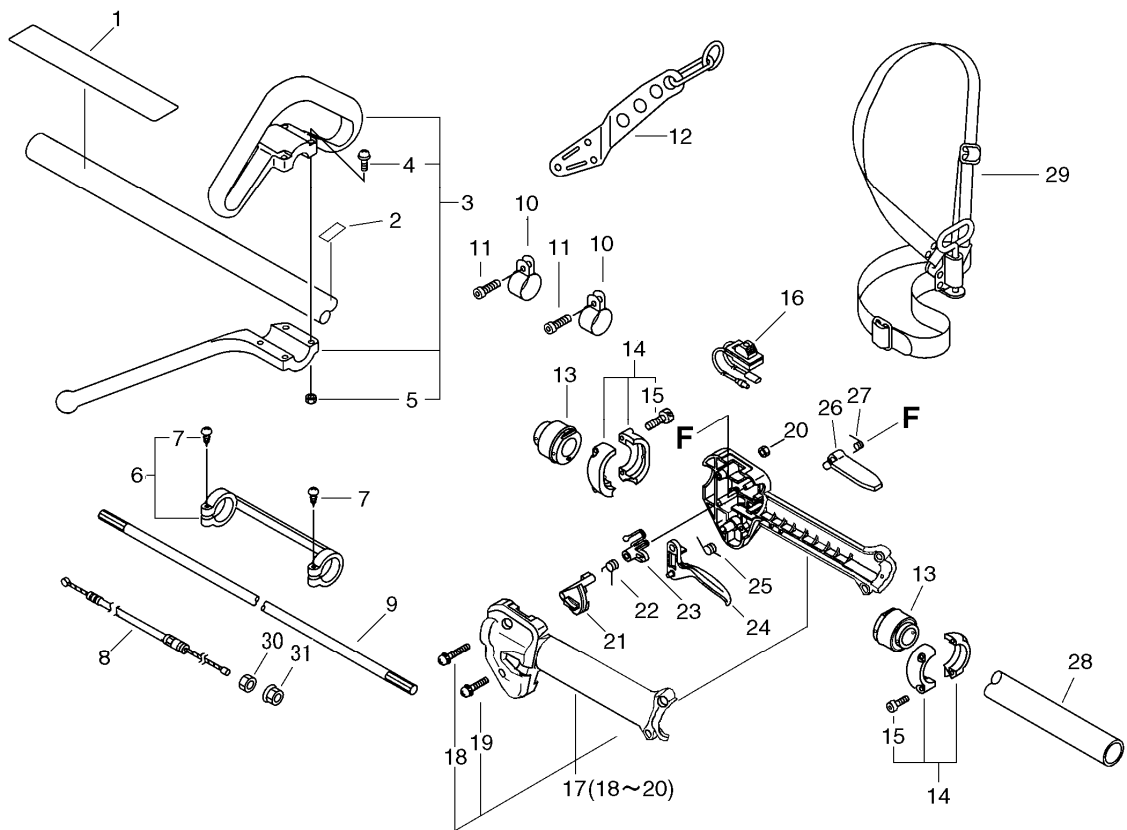
KEY	LV	PART NUMBER	Q'TY	DESCRIPTION	REMARKS	NOTE1	NOTE2
1		A356-000030	1	VALVE,CHECK			
2		132013-26630	2	CLIP	6.5MM		
3		V471-000110	1	PIPE	3*6*115		
4		132010-52030	1	PIPE	3*6*170 NBR		
5		132012-56030	1	PIPE	3*6*80 YL		
6		132115-55930	1	GROMMET, FUEL			
7		131205-19831	1	STRAINER, FUEL			
8		131005-55932	1	TANK, FUEL			
9		P021-012210	1	CAP,FUEL ASY			
10	+	131016-55830	1	GASKET, FUEL CAP			
11	+	A365-000060	1	CONNECTOR,CAP	L=123		
13		91118-05020	1	BOLT	CM-5*20		
14		305110-57733	1	STAND			
15		91118-05022	2	BOLT	CM-5*22		
16		900603-00005	2	WASHER 5	5.5*12*0.8		
17		91118-05016	2	BOLT	CM-5*16		

6. L-HANDLE



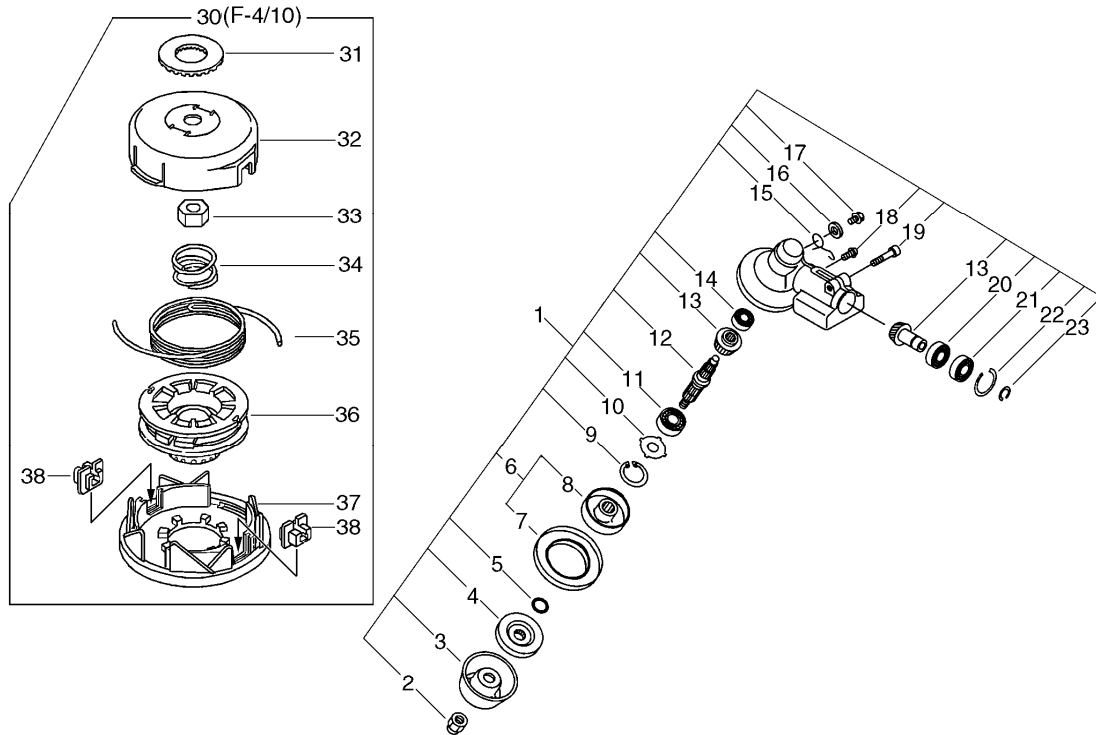
KEY	LV	PART NUMBER	Q'TY	DESCRIPTION	REMARKS	NOTE1	NOTE2
1		890617-43130	1	LABEL,CAUTION			
2		890152-04930	1	LABEL, CAUTION			
3		P021-005940	1	HANDLE ASY, LOOP			
4	+	91118-05035	4	BOLT			
5	+	900500-00005	4	NUT 5	5		
6		610281-54130	1	COLLER			
7	+	900253-04025	2	SCREW 4*25	4*25		
8		V430-002320	1	CABLE,BOWDEN	370+61		
9		C504-000050	1	SHAFT,DRIVE	7*1540		
10		V495-001010	2	BAND			
11		91118-05014	2	BOLT			
12		C624-000020	1	HANGER,HARNESS			
13		V420-000960	2	CUSHION			
14		P021-012630	2	BRACKET ASM., HANDLE			
15	+	91118-05025	4	BOLT	CM-5*25		
16		A440-000891	1	SWITCH, ON OFF	CA/CB-104/L:660		
17		P021-005960	1	BRACKET SET,THROTTLE			
18	+	91118-05035	1	BOLT			
19	+	91118-05025	3	BOLT	CM-5*25		
20	+	900500-00005	4	NUT 5	5		
21		C461-000010	1	LATCH,THROTTLE			
22		V452-000120	1	SPRING,TORSION			
23		C461-000000	1	LATCH,THROTTLE			
24		C450-000110	1	TRIGGER,THROTTLE			
25		178043-42230	1	SPRING, THR. RETURN			

6. L-HANDLE



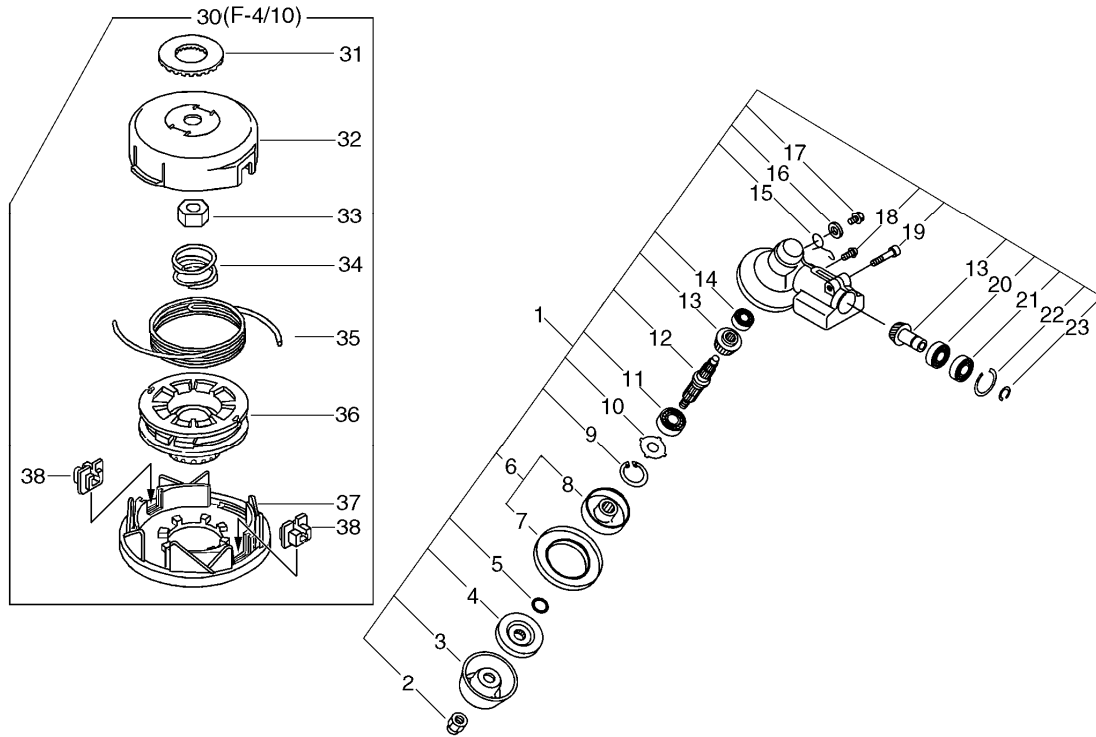
KEY	LV	PART NUMBER	Q'TY	DESCRIPTION	REMARKS	NOTE1	NOTE2
26		178090-52632	1	LOCKOUT, T. CONTROL			
27		178013-52630	1	SPRING, THR. LOCK			
28		C050-000320	1	PIPE,MAIN			
29		301001-46731	1	HARNESS, SHOULDER	L1910,L1550		
30		900502-00006	1	NUT 6 (3N)	3N6		
31		900518-00006	1	NUT, FLANGE	6		

7. GEAR CASE



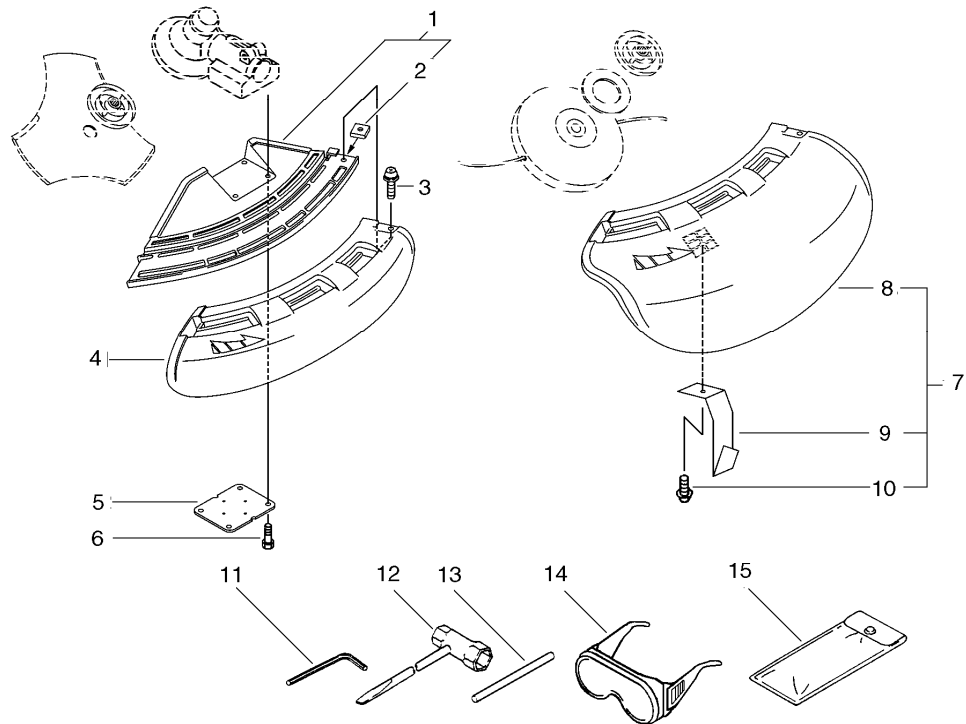
KEY	LV	PART NUMBER	Q'TY	DESCRIPTION	REMARKS	NOTE1	NOTE2
1		P021-012601	1	CASE,GEAR			
2	+	610320-52130	1	NUT 10			
3	+	699229-56830	1	PLATE, COVER			
4	+	610314-52130	1	PLATE, ADAPTER (L)			
5	+	900720-00012	1	O-RING 12	P-12		
6	+	610313-52932	1	FIXTURE,BLADE			
7	++	610352-56830	1	PLATE, CUP			
8	++	610313-52132	1	FIXTURE,BLADE			
9	+	900702-00032	1	CIRCLIP 32	CR-32		
10	+	610444-56830	1	WASHER			
11	+	900812-06201	1	BEARING, BALL 6201	6201DDU(LLU)		
12	+	610310-56831	1	SHAFT, P.T.O.			
13	+	610300-25531	1	GEAR SET	7S		
14	+	900810-00626	1	BEARING, BALL 626	626		
15	+	610473-52131	1	SPRING			
16	+	900603-50008	1	WASHER	8.5*18*0.8T		
17	+	610434-50031	1	BOLT 8*8	M8*8		
18	+	900242-05010	1	SCREW 5*10	5*10		
19	+	91118-06025	1	BOLT			
20	+	900855-06900	1	BEARING, BALL 6900	6900		
21	+	900858-06900	1	BEARING, BALL 6900Z	6900Z		
22	+	900702-00022	1	CIRCLIP 22	CR-22		
23	+	900706-00010	1	CIRCLIP 10	WR-10		
30		X047-000270	1	CUTTER,ASM LINE	F4/10 M10L		
31	+	V332-000000	1	WASHER,CIRCULAR 24			
32	+	P022-003310	1	HOUSING			

7. GEAR CASE



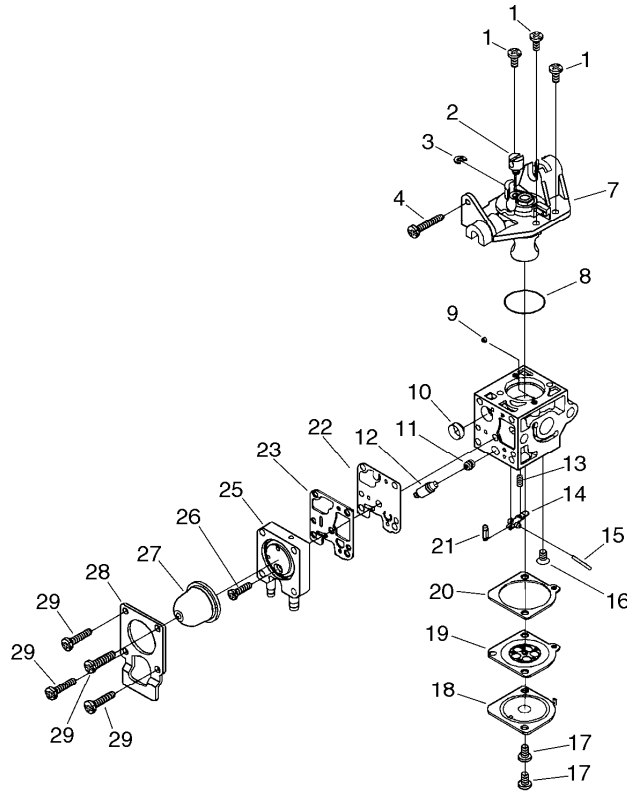
KEY	LV	PART NUMBER	Q'TY	DESCRIPTION	REMARKS	NOTE1	NOTE2
33	+	P022-001220	1	NUT			
34	+	P022-001250	1	SPRING	DS-3/10		
35	+	P022-006190	1	NYLON CODE	3.0*2M		
36	+	P022-001260	1	BOBBIN	DS-3/10		
37	+	P022-003330	1	COVER			
38	+	P022-000710	2	EYELET	T4		

8. SHIELD



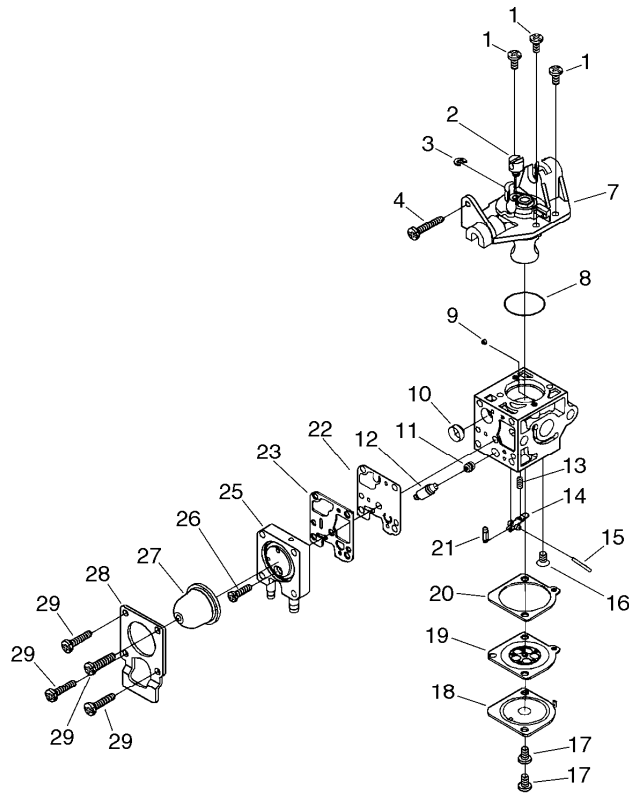
KEY	LV	PART NUMBER	Q'TY	DESCRIPTION	REMARKS	NOTE1	NOTE2
1		C550-000100	1	SHIELD, BLADE			
2	+	900565-00005	1	NUT	5		
3		91118-05018	1	BOLT	CM-5*18		
4		C550-000090	1	SHIELD, BLADE			
5		699013-56830	1	PLATE, SHIELD			
6		91118-05025	4	BOLT	CM-5*25		
7		P021-013770	1	SHIELD KIT			
8	+	C550-000080	1	SHIELD, BLADE			
9	+	C554-000030	1	KNIFE, CORD	17INCH		
10	+	900252-05012	1	SCREW 5*12	5*12		
11		895610-00130	1	L-WRENCH (4MM)			
12		X602-000020	1	TOOL, WRENCH	17*19 L200		
13		X606-000080	1	TOOL, BAR	5*120		
14		X690-000050	1	GOGGLE	GOGGLE + NOTE		
15		898510-07130	1	BAG, TOOL			

9. CARBURETOR



KEY	LV	PART NUMBER	Q'TY	DESCRIPTION	REMARKS	NOTE1	NOTE2
		A021-003220	1	CARBURETOR,DIAPHRAGM			
1	+	125344-13931	3	SCREW			
2	+	P005-001240	1	POST			
3	+	P005-000190	1	E-RING			
4	+	P005-000100	1	SCREW,THROTTLEADJUST			
7	+	P005-002050	1	COVER ASY, ROTOR			
8	+	P005-000280	1	O-RING			
9	+	P005-001000	1	ROLLER, GUIDE			
10	+	P005-000010	1	STRAINER			
11	+	P005-001260	1	SCREW,MAINN MIXTURE			
12	+	P005-001250	1	RETAINER,PLUG BALL			
13	+	P005-000940	1	SPRING, METER. LEVER			
14	+	125323-08260	1	ARM, VALVE			
15	+	125338-13930	1	PIN, METERING ARM			
16	+	125339-42030	1	SCREW			
17	+	125344-52130	3	SCREW			
18	+	125342-52130	1	COVER, DIAPHRAGM			
19	+	P005-001780	1	DIAPHRAGM			
20	+	P005-000200	1	GASKET, METERING			
21	+	125337-08260	1	VALVE, INLET NEEDLE			
22	+	P005-000510	1	DIAPHRAGM, PUMP			
23	+	P005-000520	1	GASKET, PUMP			
25	+	P005-001890	1	BASE, ASY PRIMER			
26	+	P005-000270	1	SCREW			
27	+	125381-46730	1	PUMP, PRIMING			
28	+	P005-000250	1	RETAINER			

9. CARBURETOR



KEY	LV	PART NUMBER	Q'TY	DESCRIPTION	REMARKS	NOTE1	NOTE2
29	+	P005-001900	4	SCREW			

Index

Patrs Number	Key No.	Patrs Number	Key No.	Patrs Number	Key No.
100013-11520	1 - 10	610300-25531	7 - 13	900855-06900	7 - 20
100014-11520	1 - 12	610310-56831	7 - 12	900858-06900	7 - 21
100015-04630	1 - 11	610313-52132	7 - 8	91118-04014	3 - 33
100212-28230	1 - 20	610313-52932	7 - 6	91118-05014	6 - 11
100213-05530	1 - 16	610314-52130	7 - 4	91118-05016	5 - 17
100215-03930	2 - 12	610320-52130	7 - 2	91118-05018	2 - 14
100242-55930	1 - 19	610352-56830	7 - 7	91118-05018	8 - 3
125323-08260	9 - 14	610434-50031	7 - 17	91118-05020	5 - 13
125337-08260	9 - 21	610444-56830	7 - 10	91118-05022	5 - 15
125338-13930	9 - 15	610473-52131	7 - 15	91118-05025	6 - 15
125339-42030	9 - 16	610922-55931	2 - 16	91118-05025	6 - 19
125342-52130	9 - 18	699013-56830	8 - 5	91118-05025	8 - 6
125344-13931	9 - 1	699229-56830	7 - 3	91118-05028	2 - 17
125344-52130	9 - 17	890152-04930	6 - 2	91118-05035	6 - 4
125381-46730	9 - 27	890332-52730	4 - 3	91118-05035	6 - 18
129011-52730	4 - 6	890617-43130	6 - 1	91118-06025	7 - 19
130010-13410	4 - 9	895610-00130	8 - 11	91121-05012	4 - 23
130010-55930	4 - 12	898510-07130	8 - 15	91121-05016	1 - 1
130017-56431	4 - 10	900105-05055	4 - 22	91367-04010	4 - 20
130310-54130	4 - 4	900162-05016	2 - 20	A011-000042	1 - 13
130313-05863	4 - 1	900162-05022	1 - 6	A021-003220	4 - 8
131005-55932	5 - 8	900162-05025	1 - 21	A021-003220	9 -
131016-55830	5 - 10	900162-05025	4 - 11	A051-001000	3 - 22
131205-19831	5 - 7	900242-05010	1 - 23	A052-000180	3 - 18
132010-52030	5 - 4	900242-05010	7 - 18	A101-000000	1 - 9
132012-56030	5 - 5	900242-05060	4 - 5	A130-000341	1 - 5
132013-26630	5 - 2	900252-05012	8 - 10	A160-000060	1 - 4
132115-55930	5 - 6	900253-04025	6 - 7	A162-000000	1 - 3
145862-40630	4 - 16	900500-00005	6 - 5	A313-000130	4 - 19
156112-40630	2 - 22	900500-00005	6 - 20	A320-000003	4 - 24
159011-03432	2 - 24	900502-00006	6 - 30	A356-000030	5 - 1
159012-03433	2 - 23	900515-00008	2 - 2	A365-000060	5 - 11
162010-56430	2 - 19	900518-00006	6 - 31	A409-000130	2 - 1
162014-52930	1 - 22	900565-00005	3 - 32	A411-000110	2 - 29
175046-56030	2 - 7	900565-00005	8 - 2	A425-000000	2 - 25
175048-05530	2 - 3	900603-00005	5 - 16	A440-000891	6 - 16
175049-56030	2 - 6	900603-50008	7 - 16	A553-000010	2 - 5
177220-42030	3 - 28	900701-00012	2 - 13	A556-000040	2 - 9
177227-42030	3 - 31	900702-00022	7 - 22	C050-000320	6 - 28
177228-27030	3 - 30	900702-00028	1 - 18	C450-000110	6 - 24
177236-61830	3 - 23	900702-00028	2 - 10	C461-000000	6 - 23
178013-52630	6 - 27	900702-00032	7 - 9	C461-000010	6 - 21
178043-42230	6 - 25	900702-00042	2 - 18	C504-000050	6 - 9
178090-52632	6 - 26	900706-00010	7 - 23	C550-000080	8 - 8
178111-06230	2 - 26	900720-00012	7 - 5	C550-000090	8 - 4
210417-52730	4 - 2	900800-36001	1 - 17	C550-000100	8 - 1
301001-46731	6 - 29	900807-06001	2 - 11	C554-000030	8 - 9
305110-57733	5 - 14	900810-00626	7 - 14	C624-000020	6 - 12
610281-54130	6 - 6	900812-06201	7 - 11	P005-000010	9 - 10

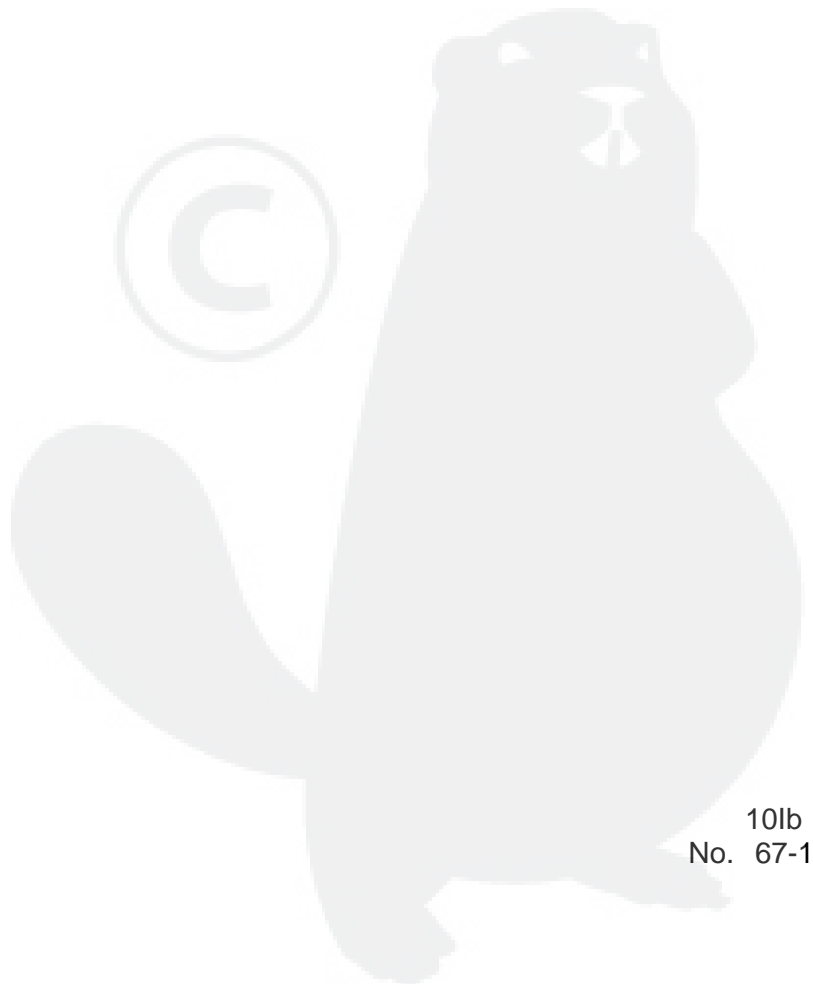
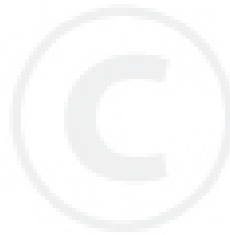
Index

Patrs Number	Key No.	Patrs Number	Key No.	Patrs Number	Key No.
P005-000100	9 - 4	V347-000000	4 - 21		
P005-000190	9 - 3	V353-000020	1 - 2		
P005-000200	9 - 20	V420-000960	6 - 13		
P005-000250	9 - 28	V430-002320	6 - 8		
P005-000270	9 - 26	V451-000400	2 - 4		
P005-000280	9 - 8	V452-000120	6 - 22		
P005-000510	9 - 22	V471-000110	5 - 3		
P005-000520	9 - 23	V475-002200	2 - 28		
P005-000940	9 - 13	V495-001010	6 - 10		
P005-001000	9 - 9	V553-000010	1 - 14		
P005-001240	9 - 2	X047-000270	7 - 30		
P005-001250	9 - 12	X502-000330	3 - 34		
P005-001260	9 - 11	X505-002310	4 - 28		
P005-001780	9 - 19	X547-001740	2 - 15		
P005-001890	9 - 25	X602-000020	8 - 12		
P005-001900	9 - 29	X606-000080	8 - 13		
P005-002050	9 - 7	X690-000050	8 - 14		
P021-000941	1 - 15				
P021-001102	1 - 8				
P021-002164	4 - 14				
P021-003910	2 - 27				
P021-005940	6 - 3				
P021-005960	6 - 17				
P021-012210	5 - 9				
P021-012601	7 - 1				
P021-012630	6 - 14				
P021-013770	8 - 7				
P021-034570	2 - 8				
P021-034600	4 - 7				
P022-000710	7 - 38				
P022-001220	7 - 33				
P022-001250	7 - 34				
P022-001260	7 - 36				
P022-001350	3 - 29				
P022-002100	3 - 19				
P022-003310	7 - 32				
P022-003330	7 - 37				
P022-006190	7 - 35				
P022-006510	3 - 20				
P022-006830	3 - 26				
P022-006850	3 - 21				
P022-008260	3 - 27				
P022-008270	3 - 25				
P022-008280	3 - 24				
V100-000060	1 - 7				
V104-000061	4 - 13				
V104-000360	4 - 17				
V150-000371	4 - 29				
V332-000000	7 - 31				

YAMABIKO CORPORATION

7-2 SUEHIROCHO 1-CHOME, OHME, TOKYO 198-8760, JAPAN
PHONE: 81-428-32-6118. FAX: 81-428-32-6145.

ECHO®



10lb
No. 67-106