



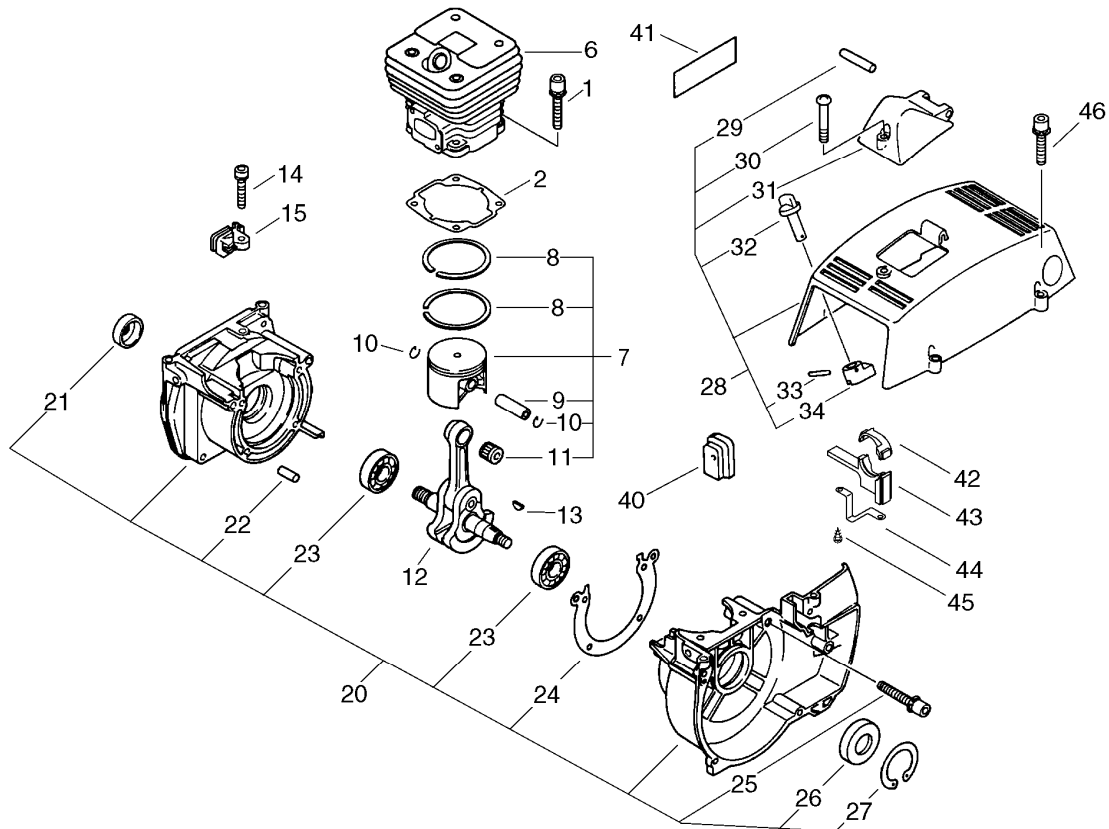
PARTS CATALOG

CLEARING SAW CLS-5800(36)

36004788 -

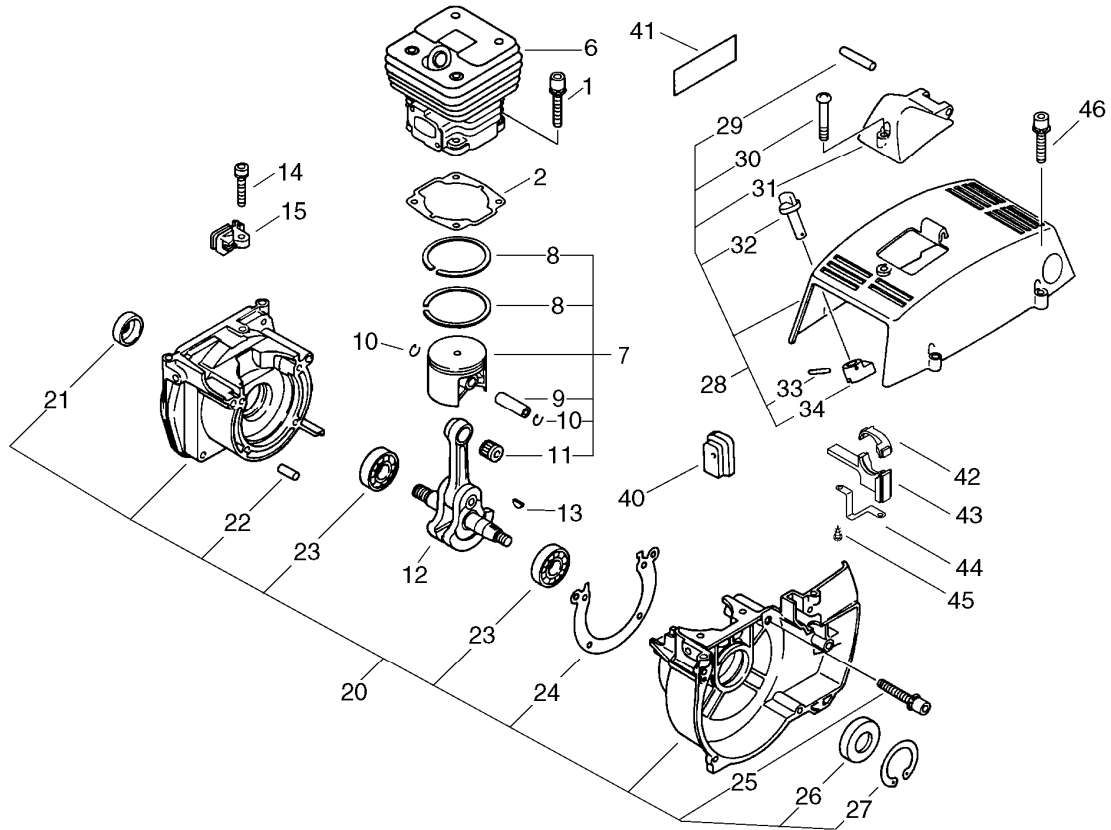
P014-0008301b

1. CYLINDER, CRANKCASE, PISTON



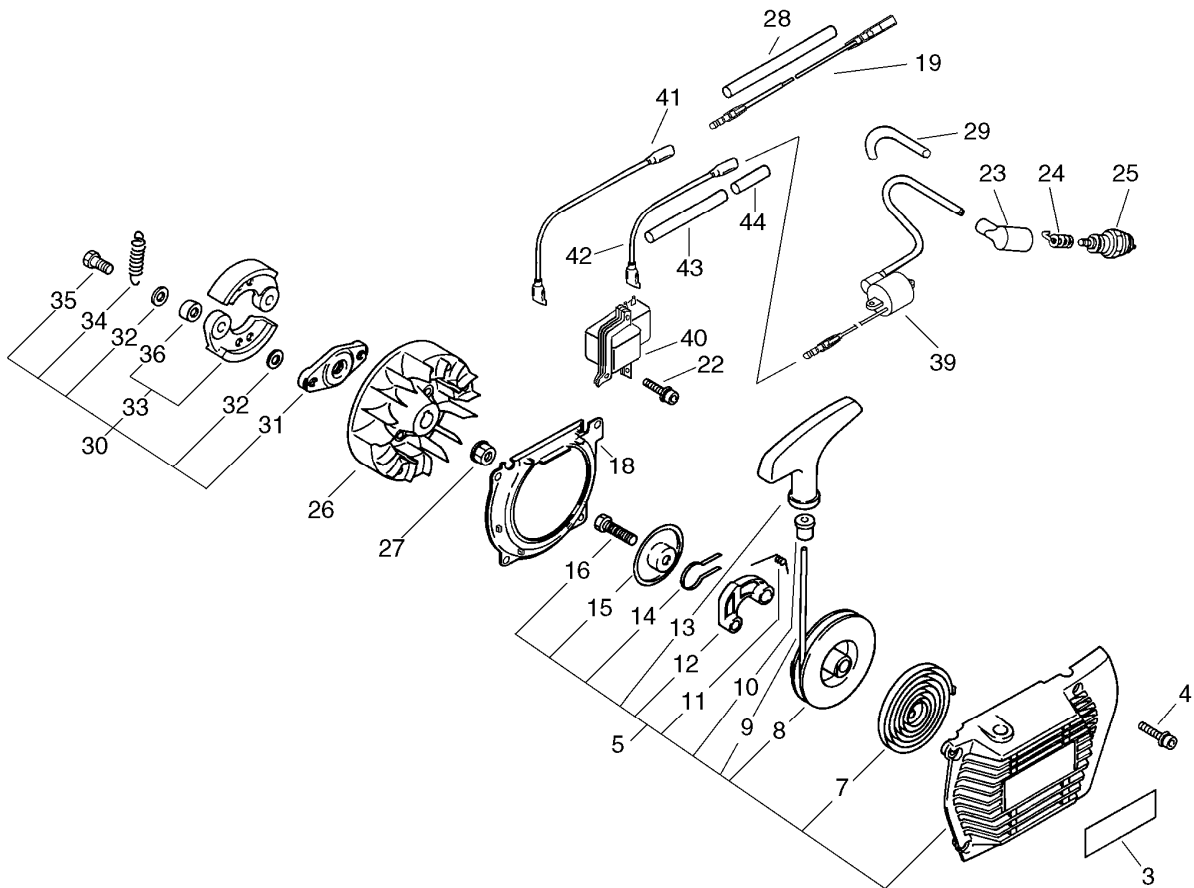
| KEY | LV | PART NUMBER | Q'TY | DESCRIPTION | REMARKS | NOTE1 | NOTE2 |
|-----|----|--------------|------|-----------------------|-------------|--------------------------------|-------|
| 1 | | 900162-05022 | 4 | BOLT, H.S. 5*22 | 5*22 W,SW | | |
| 2 | | 101010-54430 | 1 | GASKET, CYL. BASE | | | |
| 6 | | A130-000590 | 1 | CYLINDER | | | |
| 7 | | P021-007300 | 1 | PISTON KIT | | Sus. by P021-034160 | |
| 7 | | P021-034160 | 1 | PISTON KIT | | Sus. by P021-034161 | |
| 7 | | P021-034161 | 1 | PISTON KIT | | | |
| 8 | + | 100011-32330 | 2 | RING, PISTON | | | |
| 9 | + | 100013-54430 | 1 | PIN, PISTON | | | |
| 10 | + | 100015-00120 | 2 | CIRCLIP, PISTON PIN | | | |
| 10 | + | V580-000010 | 2 | RING,END | φ0.8 | Can be used on the P021-034161 | |
| 11 | + | 100012-12331 | 1 | BEARING, NEEDLE | | | |
| 12 | | 100100-54432 | 1 | CRANKSHAFT | | | |
| 13 | | 900323-03014 | 1 | KEY WOODRUFF | 3*14 | | |
| 14 | | 900105-05016 | 1 | BOLT, H.S. 5*16 | 5*16 | | |
| 15 | | 178112-54432 | 1 | HOLDER, THROTTLE WIRE | | | |
| 20 | | 100204-54431 | 1 | CRANKCASE KIT | | | |
| 21 | + | 100212-19830 | 1 | OILSEAL | ISM 15*25*6 | | |
| 22 | + | 100215-03930 | 2 | PIN, DOWEL | | | |
| 23 | + | 900810-36202 | 2 | BEARING, BALL 6202 | 6202/C3 | | |
| 24 | + | 100242-54430 | 1 | GASKET, CRANKCASE | | | |
| 25 | + | 900162-05035 | 4 | BOLT, H.S. 5*35 | 5*35 W,SW | | |
| 26 | + | 100213-02830 | 1 | OILSEAL | ISMX15,35,6 | | |

1. CYLINDER, CRANKCASE, PISTON



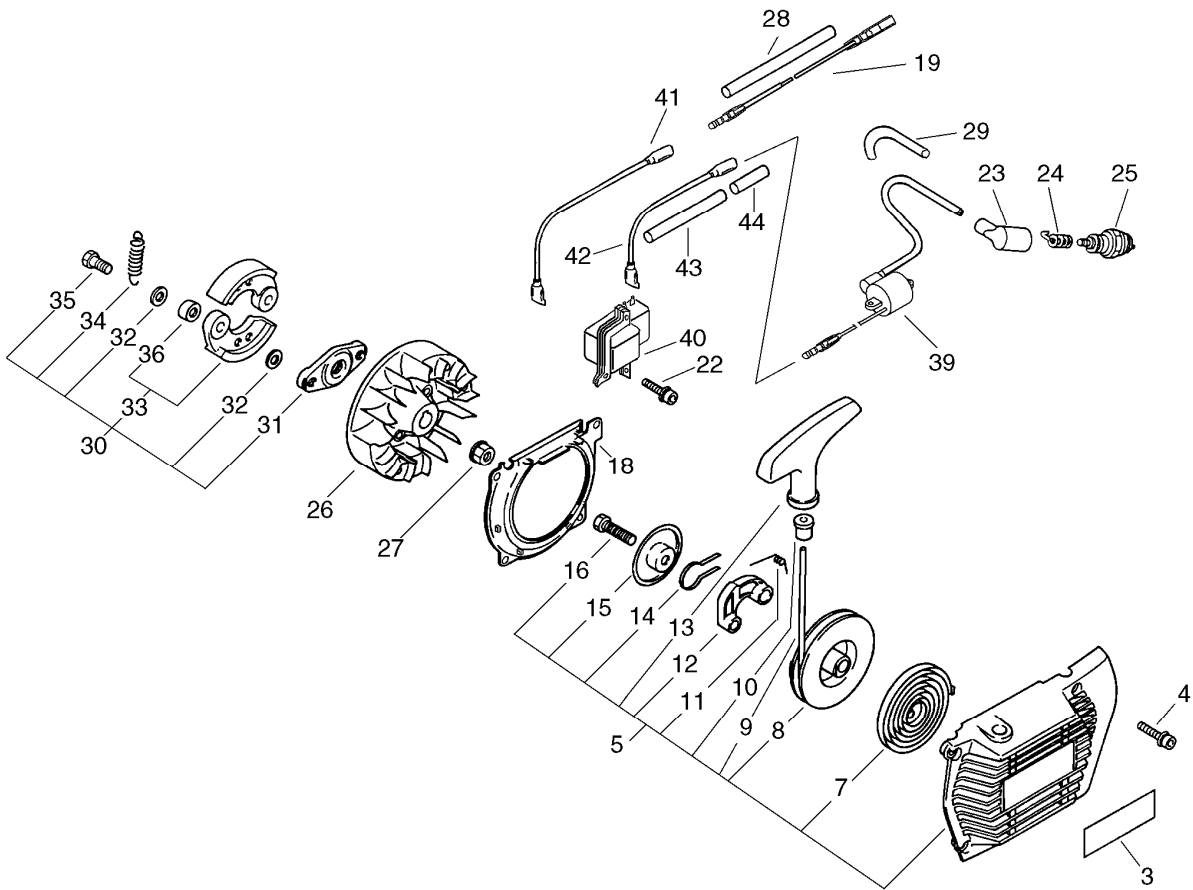
| KEY | LV | PART NUMBER | Q'TY | DESCRIPTION | REMARKS | NOTE1 | NOTE2 |
|-----|----|--------------|------|------------------|---------------|-------|-------|
| 27 | + | 900702-00035 | 1 | CIRCLIP 35 | CR-35 | | |
| 28 | | P021-007442 | 1 | COVER, CYLINDER | | | |
| 29 | + | 900330-40298 | 1 | PIN 4*29.8 | 4*29.8 | | |
| 30 | + | 163890-38330 | 1 | BOLT, 5 | | | |
| 31 | + | 159015-54430 | 1 | COVER, PLUG CAP | | | |
| 32 | + | 178510-54430 | 1 | ROD, CHOKE | | | |
| 33 | + | 900342-20010 | 1 | PIN, SPRING 2*10 | 2*10 | | |
| 34 | + | 178522-54430 | 1 | END, LEVER | | | |
| 40 | | 178215-54431 | 1 | GROMMET | | | |
| 41 | | X547-001120 | 1 | LABEL,ECHO | ECHO+CLS-5800 | | |
| 42 | | V541-000110 | 1 | SEAL | | | |
| 43 | | V541-000120 | 1 | SEAL | | | |
| 44 | | V152-001420 | 1 | PLATE,ANGLE | | | |
| 45 | | 900253-04016 | 2 | SCREW 4*16 | 4*16 | | |
| 46 | | 91118-05022 | 4 | BOLT | | | |

2. STARTER, MAGNETO, CLUTCH



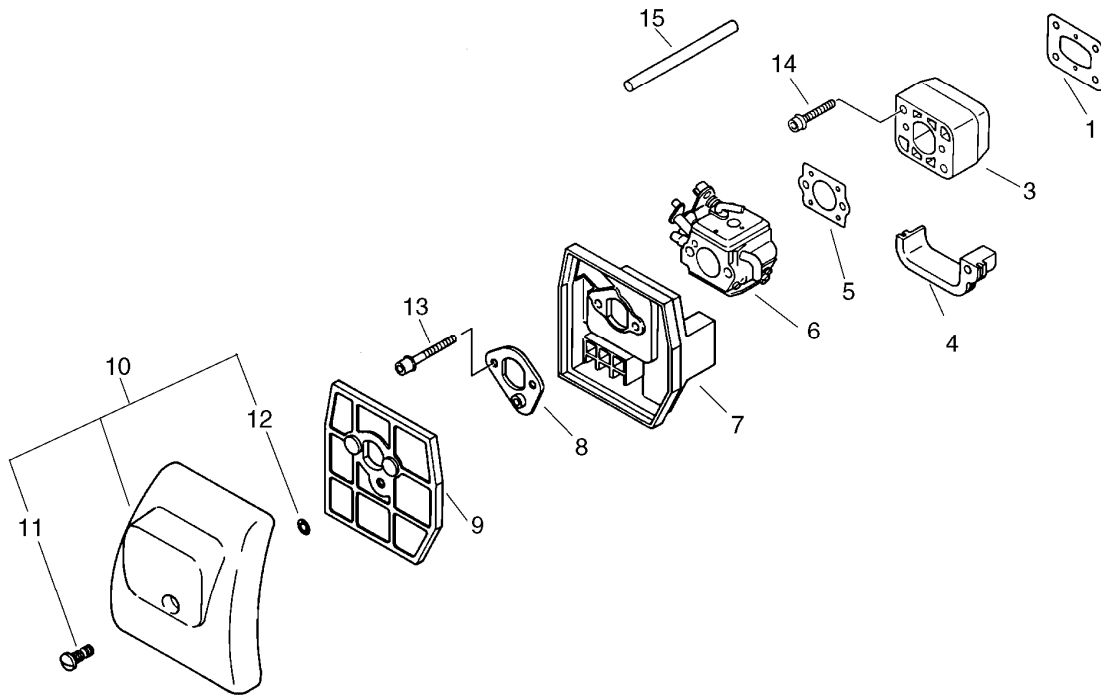
| KEY | LV | PART NUMBER | Q'TY | DESCRIPTION | REMARKS | NOTE1 | NOTE2 |
|-----|----|--------------|------|------------------|-----------------|-------|-------|
| 3 | | X502-000640 | 1 | LABEL,ECHO | 79.5*29.5 | | |
| 4 | | 91118-05022 | 4 | BOLT | | | |
| 5 | | 177200-54432 | 1 | STARTER ASSEMBLY | | | |
| 7 | + | 177220-00220 | 1 | SPRING, REWIND | | | |
| 8 | + | 177215-06230 | 1 | DRUM, STARTER | | | |
| 9 | + | 177226-06230 | 1 | ROPE, STARTER | | | |
| 10 | + | 177227-05530 | 1 | GUIDE, ROPE | | | |
| 11 | + | 177234-54430 | 1 | SPRING, RETURN | | | |
| 12 | + | 177218-54430 | 1 | PAWL, STARTER | | | |
| 13 | + | 177228-11120 | 1 | GRIP, STARTER | | | |
| 14 | + | 177233-54430 | 1 | SPRING, FRICTION | | | |
| 15 | + | 177211-06230 | 1 | PLATE, FRICTION | | | |
| 16 | + | 900100-06012 | 1 | BOLT 6*12 | 6*12 | | |
| 18 | | 101511-54431 | 1 | COVER, FAN | | | |
| 19 | | V485-000160 | 1 | LEAD | L:640 | | |
| 22 | | 900162-05022 | 2 | BOLT, H.S. 5*22 | 5*22 W,SW | | |
| 23 | | 159012-01620 | 1 | CAP, SPARK PLUG | | | |
| 24 | | 159011-03432 | 1 | COIL, SPARK PLUG | | | |
| 25 | | A425-000000 | 1 | SPARKPLUG | BPMR8Y | | |
| 26 | | A409-000221 | 1 | ROTOR,MAGNETO | ID#9483 | | |
| 27 | | 900517-00010 | 1 | NUT | 10 | | |
| 28 | | V475-001610 | 1 | TUBE | 7*8.6*55 HST-10 | | |
| 29 | | 150623-16130 | 1 | TUBE | | | |
| 30 | | 175000-54431 | 1 | CLUTCH ASSY | | | |
| 31 | + | 175016-54430 | 1 | HUB, CLUTCH | | | |

2. STARTER, MAGNETO, CLUTCH



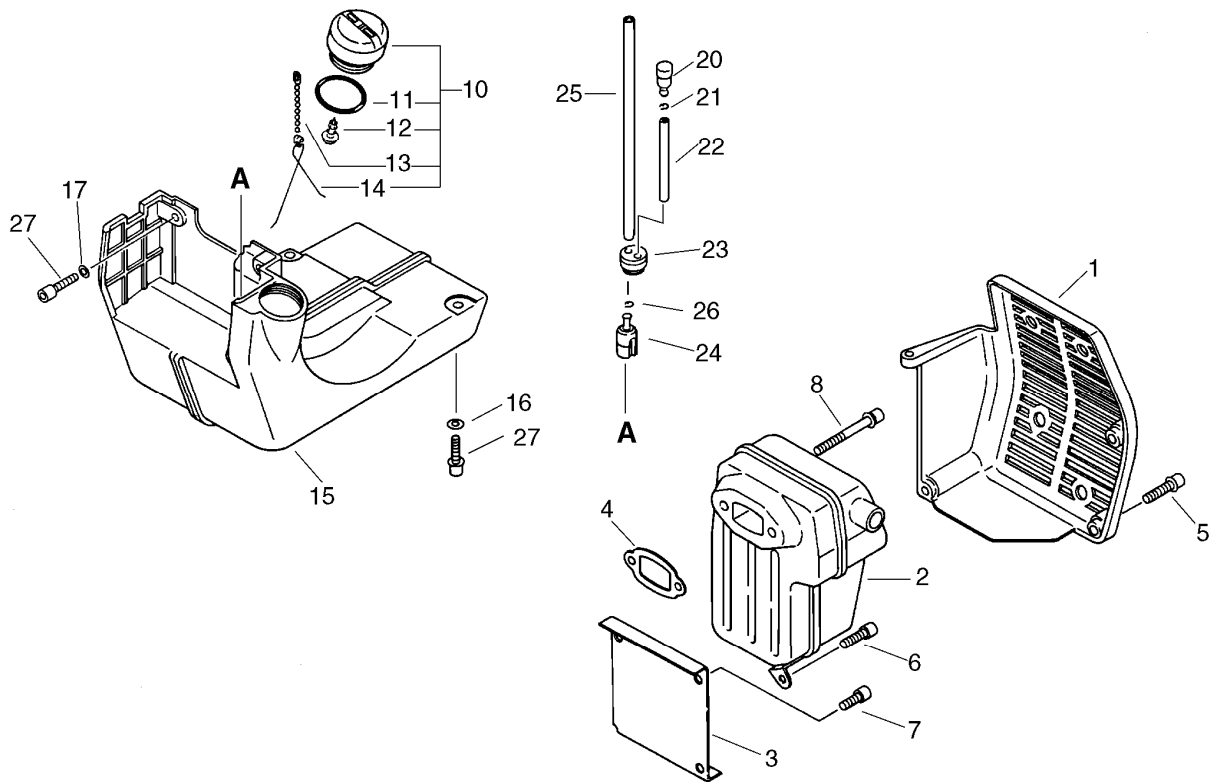
| KEY | LV | PART NUMBER | Q'TY | DESCRIPTION | REMARKS | NOTE1 | NOTE2 |
|-----|----|--------------|------|----------------|-----------|-------|-------|
| 32 | + | 175014-11231 | 4 | WASHER, CLUTCH | | | |
| 33 | + | 175009-54430 | 1 | SHOE, CLUTCH | | | |
| 36 | ++ | 175030-54430 | 2 | METAL | | | |
| 34 | + | 175018-54430 | 1 | SPRING, CLUTCH | | | |
| 35 | + | 175046-54430 | 2 | SHAFT, CLUTCH | | | |
| 39 | | A411-000191 | 1 | COIL,IGNITION | ID#C9478 | | |
| 40 | | A410-000000 | 1 | COIL,EXCITER | | | |
| 41 | | 162010-04561 | 1 | LEAD, GROUND | 210L | | |
| 42 | | V485-000510 | 1 | LEAD | | | |
| 43 | | V475-003570 | 1 | TUBE | 6*7*90 | | |
| 44 | | 178016-47430 | 1 | TUBE | 6*7*20 BL | | |

3. AIR CLEANER



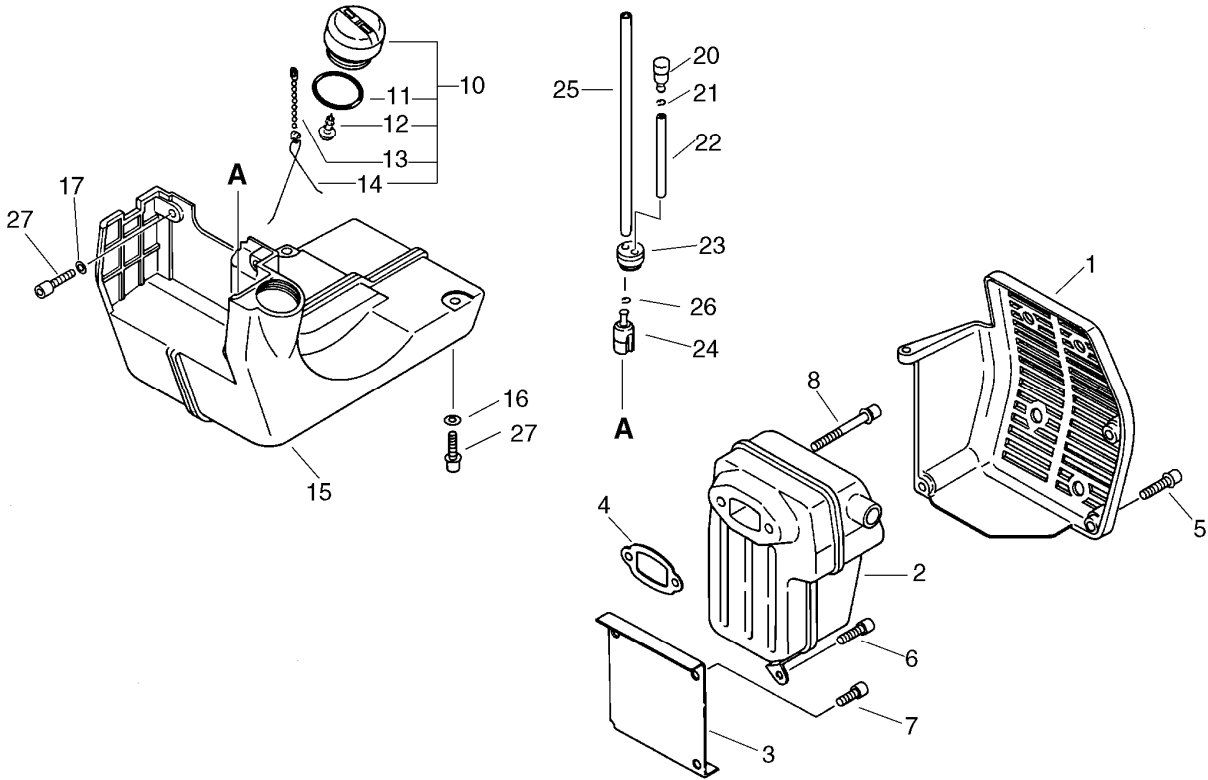
| KEY | LV | PART NUMBER | Q'TY | DESCRIPTION | REMARKS | NOTE1 | NOTE2 |
|-----|----|--------------|------|----------------------|-------------|-------|-------|
| 1 | | 130010-54430 | 1 | GASKET, INTAKE | | | |
| 3 | | 130007-54430 | 1 | INSULATOR | | | |
| 4 | | 130012-54430 | 1 | SEAL | | | |
| 5 | | 130016-54430 | 1 | GASKET, INTAKE | | | |
| 6 | | A021-000951 | 1 | CARBURETOR,DIAPHRAGM | C3M-K80 | | |
| 7 | | 130314-54430 | 1 | CASE, CLEANER | | | |
| 8 | | 130420-54430 | 1 | BRACKET, AIR CLEANER | | | |
| 9 | | 130310-54430 | 1 | FILTER, AIR | | | |
| 10 | | 130302-54431 | 1 | COVER ASY, A.CLEANER | | | |
| 11 | + | 130415-40630 | 1 | SCREW | | | |
| 12 | + | 900720-00004 | 1 | O-RING (P-4) | P-4 | | |
| 13 | | 900105-05055 | 2 | BOLT, H.S. 5*55 | 5*55 | | |
| 14 | | 900162-05030 | 2 | BOLT, H.S. 5*30 | 5*30 W,SW | | |
| 15 | | 130110-54430 | 1 | PIPE, IMPULSE | 3*6*105 NBR | | |

4. FUEL TANK, MUFFLER



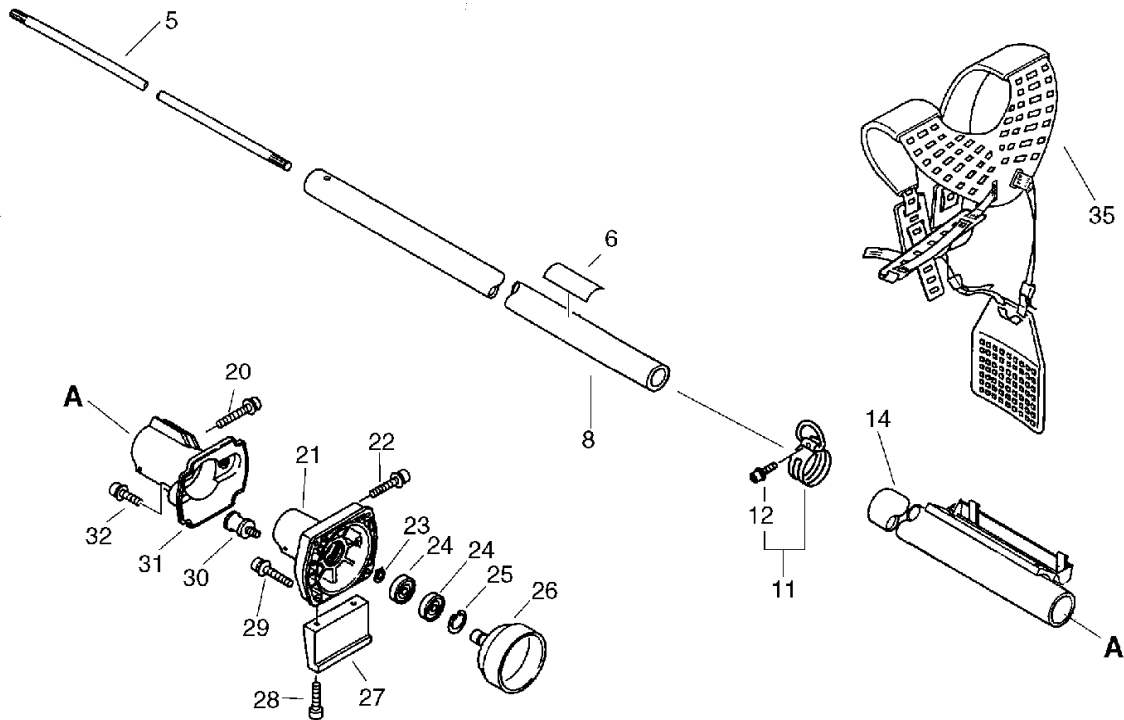
| KEY | LV | PART NUMBER | Q'TY | DESCRIPTION | REMARKS | NOTE1 | NOTE2 |
|-----|----|--------------|------|--------------------|-------------|---------------------|-------|
| 1 | | 145906-54431 | 1 | COVER, MUFFLER | | | |
| 2 | | P021-008640 | 1 | MUFFLER, EXHAUST | | | |
| 3 | | 145910-54430 | 1 | INSULATOR, MUFFLER | | | |
| 4 | | 145510-54430 | 1 | GASKET, MUFFLER | | | |
| 4 | | 145510-54431 | 1 | GASKET, MUFFLER | | | |
| 5 | | 91118-05018 | 3 | BOLT | | | |
| 6 | | 900105-05016 | 1 | BOLT, H.S. 5*16 | 5*16 | | |
| 7 | | 900105-05010 | 2 | BOLT, H.S. 5*10 | 5*10 | | |
| 8 | | 900162-05075 | 2 | BOLT, H.S. 5*75 | 5*75 W.SW | | |
| 10 | | 131004-16432 | 1 | CAP ASY, FUEL | | | |
| 11 | + | 900720-00032 | 1 | O-RING 32 | | | |
| 12 | + | 900246-03008 | 1 | SCREW 3*8 | 3*8 | | |
| 13 | + | 131023-14730 | 1 | CHAIN, BALL | | | |
| 14 | + | 131042-14730 | 1 | SPRING, CLOSS | | | |
| 15 | | 131005-54430 | 1 | TANK, FUEL | | | |
| 16 | | 900600-00005 | 4 | WASHER 5 | 5 | | |
| 17 | | 130031-10230 | 2 | WASHER | | | |
| 20 | | 131300-56430 | 1 | VALVE, CHECK | | | |
| 21 | | 132013-09820 | 1 | CLIP | 6MM | | |
| 22 | | 132010-02960 | 1 | PIPE, FUEL | 3*6*30 | | |
| 23 | | 132115-44330 | 1 | GROMMET | | | |
| 24 | | 131205-19831 | 1 | STRAINER, FUEL | | Sus. by A369-000000 | |
| 24 | | A369-000000 | 1 | STRAINER, FUEL | 125-528 | | |
| 25 | | 132010-54430 | 1 | PIPE | 3*6*140 NBR | | |
| 26 | | 132013-26630 | 1 | CLIP | 6.5MM | | |

4. FUEL TANK, MUFFLER



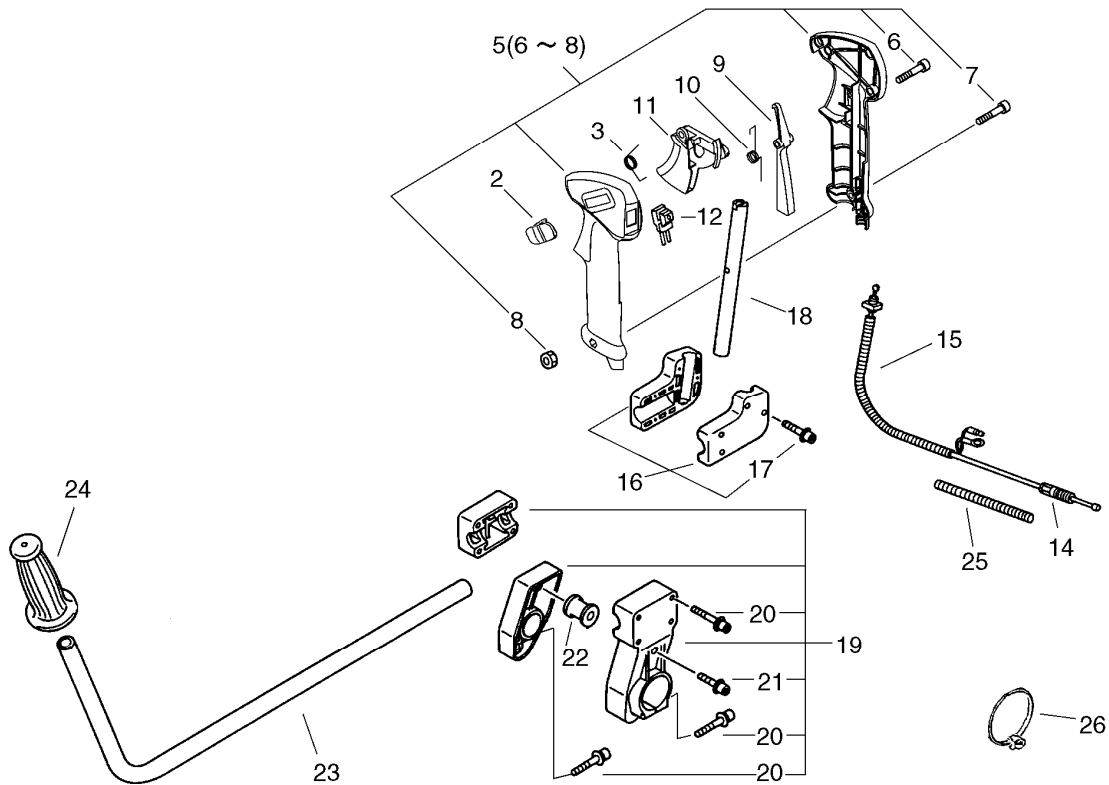
| KEY | LV | PART NUMBER | Q'TY | DESCRIPTION | REMARKS | NOTE1 | NOTE2 |
|-----|----|-------------|------|-------------|-------------|-------|-------|
| 27 | | 91119-05016 | 6 | BOLT | 10.9 SILVER | | |

5. MAIN PIPE



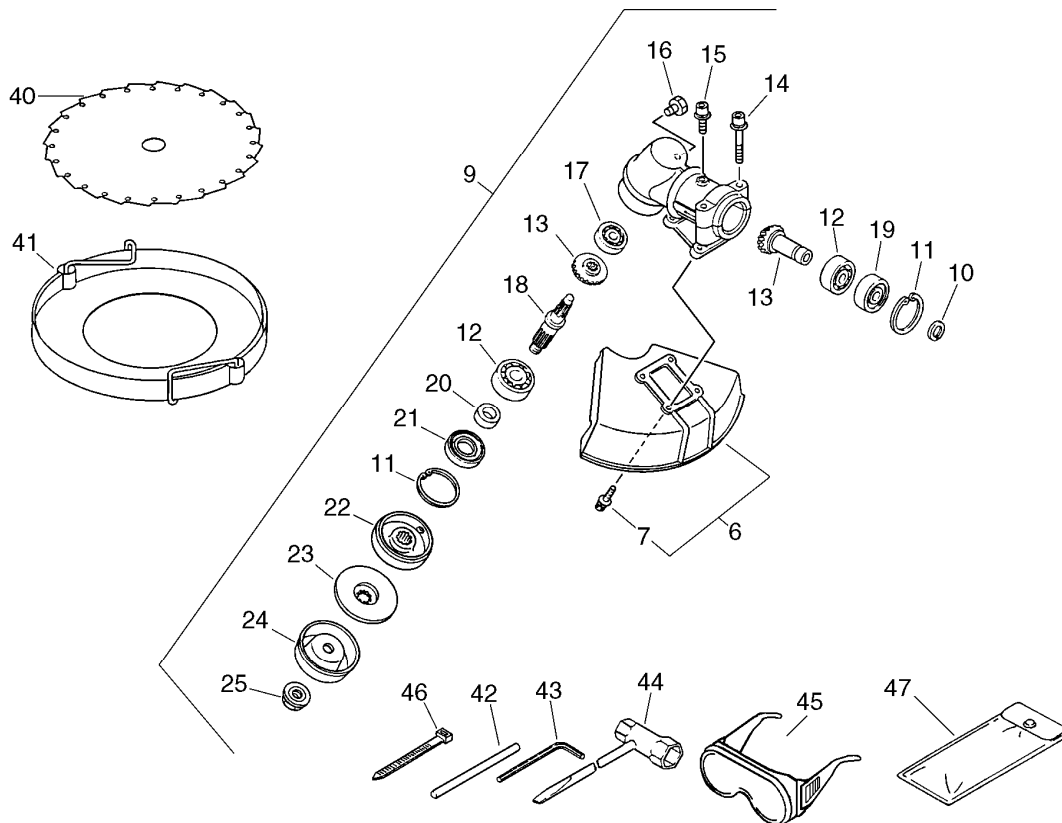
| KEY | LV | PART NUMBER | Q'TY | DESCRIPTION | REMARKS | NOTE1 | NOTE2 |
|-----|----|--------------|------|----------------------|-------------|-------|-------|
| 5 | | 610011-47530 | 1 | SHAFT, DRIVE | | | |
| 6 | | 890617-43130 | 1 | LABEL, CAUTION | | | |
| 8 | | C050-000600 | 1 | PIPE, MAIN | 35*1400 | | |
| 11 | | P021-012710 | 1 | HOOK | | | |
| 12 | + | 91118-05020 | 1 | BOLT | CM-5*20 | | |
| 14 | | 610603-54530 | 1 | PIPE W/CABLE GUIDE | | | |
| 20 | | 91118-05035 | 1 | BOLT | | | |
| 21 | | 610223-54430 | 1 | FLANGE, D.S. HOUSING | | | |
| 22 | | 91118-05030 | 2 | BOLT | | | |
| 23 | | 900701-00015 | 1 | CIRCLIP 15 | CS-15 | | |
| 24 | | 900819-06202 | 2 | BEARING, BALL 6202 | 6202VV(LLB) | | |
| 25 | | 900702-00035 | 1 | CIRCLIP 35 | CR-35 | | |
| 26 | | 175005-54430 | 1 | DRUM, CLUTCH | | | |
| 27 | | 305110-54430 | 1 | STAND | | | |
| 28 | | 91118-05020 | 2 | BOLT | CM-5*20 | | |
| 29 | | 91118-05025 | 4 | BOLT | | | |
| 30 | | 100905-51530 | 2 | CUSHION | | | |
| 31 | | 610922-54430 | 1 | HOLDER | | | |
| 32 | | 91118-05014 | 2 | BOLT | | | |
| 35 | | 301000-51530 | 1 | HARNESS, SHOULDER | | | |

6. HANDLE



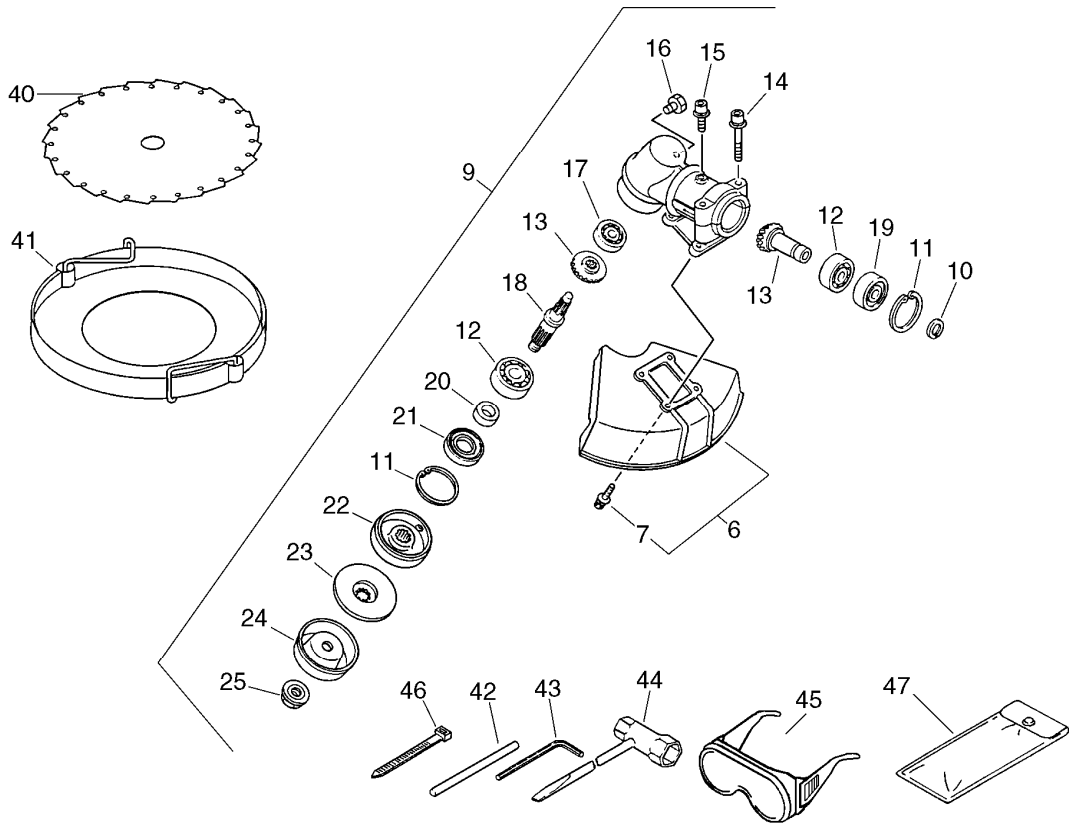
| KEY | LV | PART NUMBER | Q'TY | DESCRIPTION | REMARKS | NOTE1 | NOTE2 |
|-----|----|--------------|------|---------------------|----------|-------|-------|
| 2 | | C463-000000 | 1 | KNOB,LATCH | | | |
| 3 | | V452-000060 | 1 | SPRING,TORSION | | | |
| 5 | | P021-013570 | 1 | GRIP ASY,F-HANDLE | | | |
| 6 | + | 900253-04016 | 3 | SCREW 4*16 | 4*16 | | |
| 7 | + | 900220-05030 | 1 | SCREW 5*30 | 5*30 | | |
| 8 | + | 900500-00005 | 1 | NUT 5 | 5 | | |
| 9 | | C460-000011 | 1 | LOCKOUT,THROTTLE | | | |
| 10 | | V452-000130 | 1 | SPRING,TORSION | | | |
| 11 | | C450-000022 | 1 | TRIGGER,THROTTLE | | | |
| 12 | | 163401-54530 | 1 | SWITCH,IGNITION | | | |
| 14 | | V430-002030 | 1 | CABLE,BOWDEN | | | |
| 15 | | 178127-54530 | 1 | TUBE 7*10*130 | 7*10*130 | | |
| 16 | | P021-012730 | 1 | BRACKET ASY, HANDLE | | | |
| 17 | + | 91118-05025 | 4 | BOLT | | | |
| 18 | | 351210-47530 | 1 | HANDLE, REAR | | | |
| 19 | | P021-012690 | 1 | BRACKET, HANDLE ASY | | | |
| 20 | + | 91118-05035 | 6 | BOLT | | | |
| 21 | + | 91118-05014 | 2 | BOLT | | | |
| 22 | | 100905-51530 | 2 | CUSHION | | | |
| 23 | | 351110-47530 | 1 | HANDLE, FRONT | | | |
| 24 | | 351213-47531 | 1 | GRIP, HANDLE | | | |
| 25 | | V475-002930 | 1 | TUBE | 7*450 | | |
| 26 | | V495-000000 | 2 | BAND | CV-200 | | |

7. GEAR CASE, SHIELD, BLADE



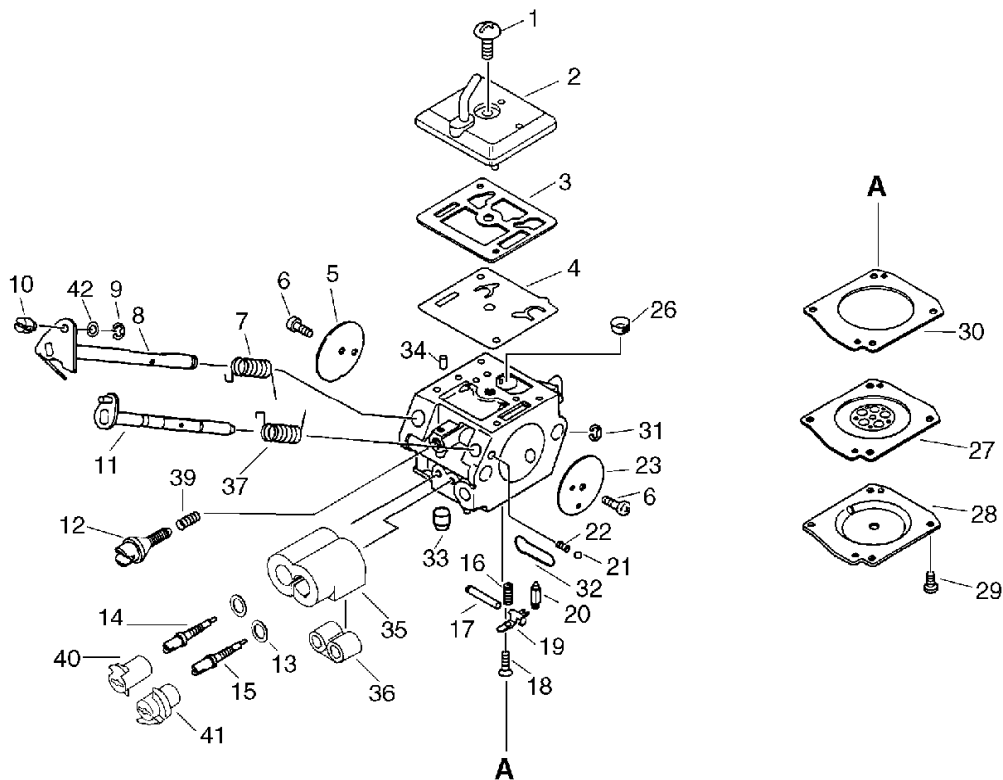
| KEY | LV | PART NUMBER | Q'TY | DESCRIPTION | REMARKS | NOTE1 | NOTE2 |
|-----|----|--------------|------|---------------------|---------------|-------|-------|
| 6 | | P021-012720 | 1 | SHIELD ASY | | | |
| 7 | + | 91118-05020 | 4 | BOLT | CM-5*20 | | |
| 9 | | P021-012680 | 1 | CASE,GEAR | | | |
| 10 | + | 900701-00015 | 1 | CIRCLIP 15 | CS-15 | | |
| 11 | + | 900702-00035 | 2 | CIRCLIP 35 | CR-35 | | |
| 12 | + | 900810-06202 | 2 | BEARING, BALL 6202 | 6202 | | |
| 13 | + | 610300-47530 | 1 | GEAR SET | | | |
| 14 | + | 91118-05035 | 2 | BOLT | | | |
| 15 | + | 91119-05012 | 1 | BOLT | | | |
| 16 | + | 610434-50031 | 1 | BOLT 8* 8 | M8*8 | | |
| 17 | + | 900800-06001 | 1 | BEARING, BALL 6001 | | | |
| 18 | + | 610310-51530 | 1 | SHAFT, P.T.O. | | | |
| 19 | + | 900813-06202 | 1 | BEARING, BALL 6202Z | 6202Z | | |
| 20 | + | 610334-06230 | 1 | SPACER, OILSEAL | | | |
| 21 | + | 610413-47530 | 1 | OILSEAL IS 20 35 7 | | | |
| 22 | + | C535-000050 | 1 | FIXTURE,BLADE | | | |
| 23 | + | C535-000060 | 1 | FIXTURE,BLADE | | | |
| 24 | + | 610352-47530 | 1 | PLATE, CUP | | | |
| 25 | + | 610320-47530 | 1 | NUT, LOCK | | | |
| 40 | | 695010-51530 | 1 | SAW, CIRCULAR | | | |
| 41 | | 898503-08031 | 1 | COVER SET, CUTTER | 8INC (ORANGE) | | |
| 41 | | P021-016360 | 1 | COVER SET, CUTTER | | | |
| 42 | | X606-000080 | 1 | TOOL,BAR | 5*120 | | |
| 43 | | 895610-00130 | 1 | L-WRENCH (4MM) | | | |
| 44 | | X602-000020 | 1 | TOOL,WRENCH | 17*19 L200 | | |

7. GEAR CASE, SHIELD, BLADE



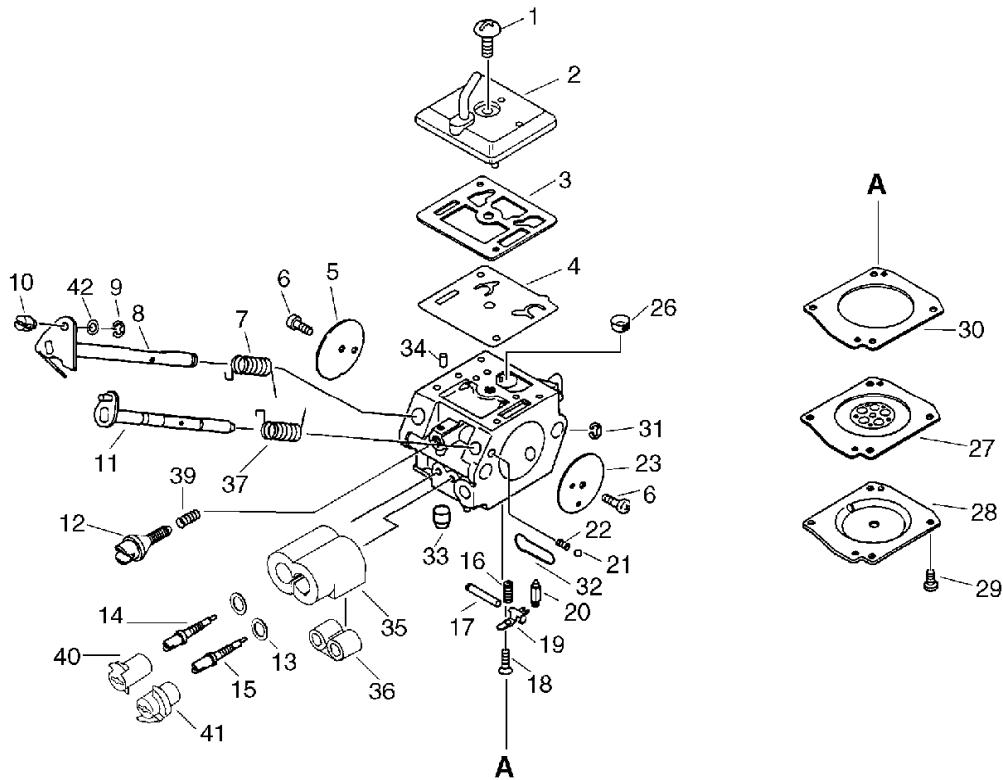
| KEY | LV | PART NUMBER | Q'TY | DESCRIPTION | REMARKS | NOTE1 | NOTE2 |
|-----|----|--------------|------|-------------|---------------|-------|-------|
| 45 | | P021-002861 | 1 | GOGGLES | | | |
| 45 | | X690-000050 | 1 | GOGGLE | GOGGLE + NOTE | | |
| 46 | | 178121-43230 | 1 | BAND | CV-150 BL | | |
| 47 | | 898510-07130 | 1 | BAG, TOOL | | | |

8. CARBURETOR



| KEY | LV | PART NUMBER | Q'TY | DESCRIPTION | REMARKS | NOTE1 | NOTE2 |
|-----|----|--------------|------|----------------------|---------|-------|-------|
| | | A021-000951 | 1 | CARBURETOR,DIAPHRAGM | C3M-K80 | | |
| 1 | + | 125310-13930 | 1 | SCREW | | | |
| 2 | + | 125324-54430 | 1 | COVER, PUMP | | | |
| 3 | + | P005-001430 | 1 | GASKET, PUMP | | | |
| 4 | + | P005-001420 | 1 | DIAPHRAGM, PUMP | | | |
| 5 | + | 125316-54430 | 1 | VALVE, THROTTLE | | | |
| 6 | + | 125314-51230 | 2 | SCREW | 3*4.5 | | |
| 7 | + | 125313-54430 | 1 | SPRING, THRT. RETURN | | | |
| 8 | + | P005-001610 | 1 | SHAFT ASY,THROTTLE | | | |
| 9 | + | 125327-13930 | 1 | CLIP | | | |
| 10 | + | P005-001860 | 1 | SWIVEL | | | |
| 11 | + | P005-001490 | 1 | SHAFT, CHOKE | | | |
| 12 | + | P005-001480 | 1 | SCREW,THROTTLEADJUST | | | |
| 13 | + | 125353-20560 | 2 | WASHER | | | |
| 14 | + | P005-001460 | 1 | SCREW, IDLE MIXTURE | | | |
| 15 | + | P005-001450 | 1 | SCREW,MAINN MIXTURE | | | |
| 16 | + | 125322-11520 | 1 | SPRING, COIL | | | |
| 17 | + | 125338-13930 | 1 | PIN, METERING ARM | | | |
| 18 | + | 125339-13930 | 1 | SCREW | | | |
| 19 | + | 125323-08260 | 1 | ARM, VALVE | | | |
| 20 | + | 125337-08260 | 1 | VALVE, INLET NEEDLE | | | |
| 21 | + | 125336-33330 | 1 | BALL, STEEL | | | |
| 22 | + | 125335-33330 | 1 | SPRINGT, FRICTION | | | |
| 23 | + | 125332-33330 | 1 | VALVE, CHOKE | | | |
| 26 | + | 125326-08360 | 1 | STRAINER | | | |
| 27 | + | 125341-54430 | 1 | DIAPHRAGM | | | |

8. CARBURETOR



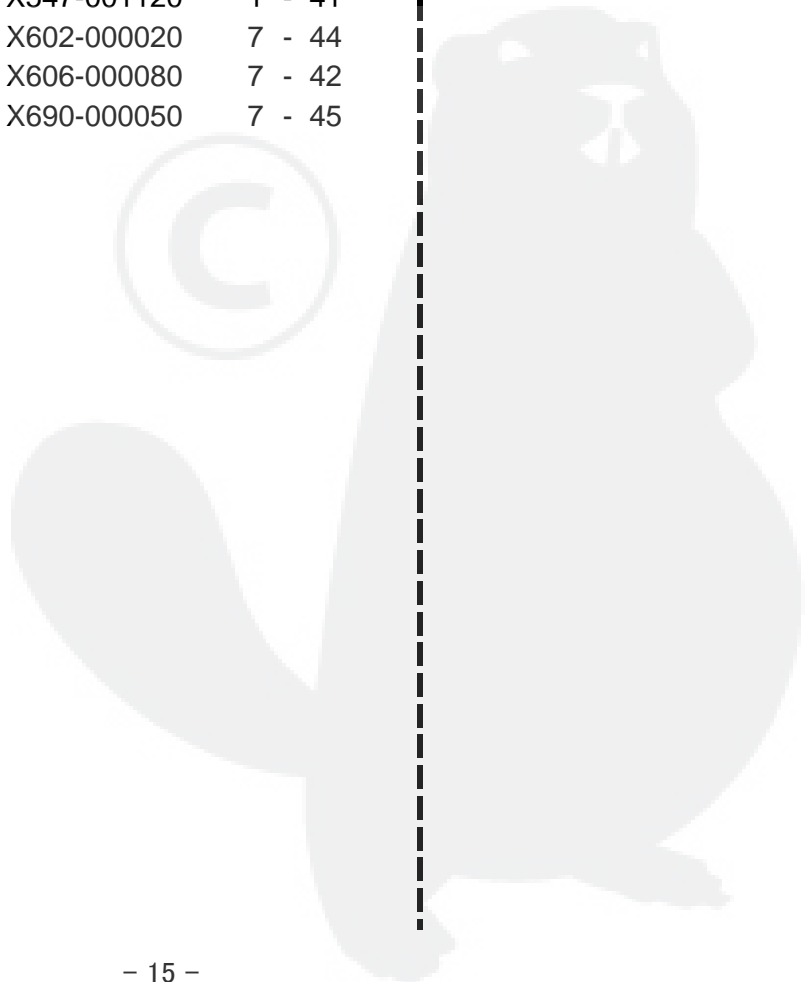
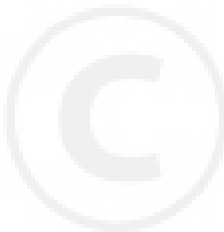
| KEY | LV | PART NUMBER | Q'TY | DESCRIPTION | REMARKS | NOTE1 | NOTE2 |
|-----|----|--------------|------|----------------------|---------|-------|-------|
| 28 | + | P005-001850 | 1 | COVER, DIAPHRAGM | | | |
| 29 | + | 125344-52130 | 4 | SCREW | | | |
| 30 | + | P005-001440 | 1 | GASKET, METERING | | | |
| 31 | + | 125327-15130 | 1 | CLIP | | | |
| 32 | + | 125345-15130 | 1 | PLUG, WELCH | | | |
| 33 | + | P005-001470 | 1 | NOZZLE, CHECK VALVE | | | |
| 34 | + | 125378-13930 | 1 | PIECE, FRICTION | | | |
| 35 | + | P005-001510 | 1 | RETAINER, LIMIT CAP | | | |
| 36 | + | P005-001500 | 1 | SCREW, BOOT ADJUST | | | |
| 37 | + | P005-001560 | 1 | SPRING, CHOKE RETURN | | | |
| 39 | + | 125333-08560 | 1 | SPRING, ADJUST SCREW | | | |
| 40 | + | P005-001530 | 1 | LIMITER, TEMPER | | | |
| 41 | + | P005-001520 | 1 | LIMITER, TEMPER | | | |
| 42 | + | P005-001870 | 1 | WASHER | | | |

Index

| Patrs Number | Key No. | Patrs Number | Key No. | Patrs Number | Key No. |
|---------------------|----------------|---------------------|----------------|---------------------|----------------|
| 100011-32330 | 1 - 8 | 131023-14730 | 4 - 13 | 351213-47531 | 6 - 24 |
| 100012-12331 | 1 - 11 | 131042-14730 | 4 - 14 | 610011-47530 | 5 - 5 |
| 100013-54430 | 1 - 9 | 131205-19831 | 4 - 24 | 610223-54430 | 5 - 21 |
| 100015-00120 | 1 - 10 | 131300-56430 | 4 - 20 | 610300-47530 | 7 - 13 |
| 100100-54432 | 1 - 12 | 132010-02960 | 4 - 22 | 610310-51530 | 7 - 18 |
| 100204-54431 | 1 - 20 | 132010-54430 | 4 - 25 | 610320-47530 | 7 - 25 |
| 100212-19830 | 1 - 21 | 132013-09820 | 4 - 21 | 610334-06230 | 7 - 20 |
| 100213-02830 | 1 - 26 | 132013-26630 | 4 - 26 | 610352-47530 | 7 - 24 |
| 100215-03930 | 1 - 22 | 132115-44330 | 4 - 23 | 610413-47530 | 7 - 21 |
| 100242-54430 | 1 - 24 | 145510-54430 | 4 - 4 | 610434-50031 | 7 - 16 |
| 100905-51530 | 5 - 30 | 145510-54431 | 4 - 4 | 610603-54530 | 5 - 14 |
| 100905-51530 | 6 - 22 | 145906-54431 | 4 - 1 | 610922-54430 | 5 - 31 |
| 101010-54430 | 1 - 2 | 145910-54430 | 4 - 3 | 695010-51530 | 7 - 40 |
| 101511-54431 | 2 - 18 | 150623-16130 | 2 - 29 | 890617-43130 | 5 - 6 |
| 125310-13930 | 8 - 1 | 159011-03432 | 2 - 24 | 895610-00130 | 7 - 43 |
| 125313-54430 | 8 - 7 | 159012-01620 | 2 - 23 | 898503-08031 | 7 - 41 |
| 125314-51230 | 8 - 6 | 159015-54430 | 1 - 31 | 898510-07130 | 7 - 47 |
| 125316-54430 | 8 - 5 | 162010-04561 | 2 - 41 | 900100-06012 | 2 - 16 |
| 125322-11520 | 8 - 16 | 163401-54530 | 6 - 12 | 900105-05010 | 4 - 7 |
| 125323-08260 | 8 - 19 | 163890-38330 | 1 - 30 | 900105-05016 | 1 - 14 |
| 125324-54430 | 8 - 2 | 175000-54431 | 2 - 30 | 900105-05016 | 4 - 6 |
| 125326-08360 | 8 - 26 | 175005-54430 | 5 - 26 | 900105-05055 | 3 - 13 |
| 125327-13930 | 8 - 9 | 175009-54430 | 2 - 33 | 900162-05022 | 1 - 1 |
| 125327-15130 | 8 - 31 | 175014-11231 | 2 - 32 | 900162-05022 | 2 - 22 |
| 125332-33330 | 8 - 23 | 175016-54430 | 2 - 31 | 900162-05030 | 3 - 14 |
| 125333-08560 | 8 - 39 | 175018-54430 | 2 - 34 | 900162-05035 | 1 - 25 |
| 125335-33330 | 8 - 22 | 175030-54430 | 2 - 36 | 900162-05075 | 4 - 8 |
| 125336-33330 | 8 - 21 | 175046-54430 | 2 - 35 | 900220-05030 | 6 - 7 |
| 125337-08260 | 8 - 20 | 177200-54432 | 2 - 5 | 900246-03008 | 4 - 12 |
| 125338-13930 | 8 - 17 | 177211-06230 | 2 - 15 | 900253-04016 | 1 - 45 |
| 125339-13930 | 8 - 18 | 177215-06230 | 2 - 8 | 900253-04016 | 6 - 6 |
| 125341-54430 | 8 - 27 | 177218-54430 | 2 - 12 | 900323-03014 | 1 - 13 |
| 125344-52130 | 8 - 29 | 177220-00220 | 2 - 7 | 900330-40298 | 1 - 29 |
| 125345-15130 | 8 - 32 | 177226-06230 | 2 - 9 | 900342-20010 | 1 - 33 |
| 125353-20560 | 8 - 13 | 177227-05530 | 2 - 10 | 900500-00005 | 6 - 8 |
| 125378-13930 | 8 - 34 | 177228-11120 | 2 - 13 | 900517-00010 | 2 - 27 |
| 130007-54430 | 3 - 3 | 177233-54430 | 2 - 14 | 900600-00005 | 4 - 16 |
| 130010-54430 | 3 - 1 | 177234-54430 | 2 - 11 | 900701-00015 | 5 - 23 |
| 130012-54430 | 3 - 4 | 178016-47430 | 2 - 44 | 900701-00015 | 7 - 10 |
| 130016-54430 | 3 - 5 | 178112-54432 | 1 - 15 | 900702-00035 | 1 - 27 |
| 130031-10230 | 4 - 17 | 178121-43230 | 7 - 46 | 900702-00035 | 5 - 25 |
| 130110-54430 | 3 - 15 | 178127-54530 | 6 - 15 | 900702-00035 | 7 - 11 |
| 130302-54431 | 3 - 10 | 178215-54431 | 1 - 40 | 900720-00004 | 3 - 12 |
| 130310-54430 | 3 - 9 | 178510-54430 | 1 - 32 | 900720-00032 | 4 - 11 |
| 130314-54430 | 3 - 7 | 178522-54430 | 1 - 34 | 900800-06001 | 7 - 17 |
| 130415-40630 | 3 - 11 | 301000-51530 | 5 - 35 | 900810-06202 | 7 - 12 |
| 130420-54430 | 3 - 8 | 305110-54430 | 5 - 27 | 900810-36202 | 1 - 23 |
| 131004-16432 | 4 - 10 | 351110-47530 | 6 - 23 | 900813-06202 | 7 - 19 |
| 131005-54430 | 4 - 15 | 351210-47530 | 6 - 18 | 900819-06202 | 5 - 24 |

Index

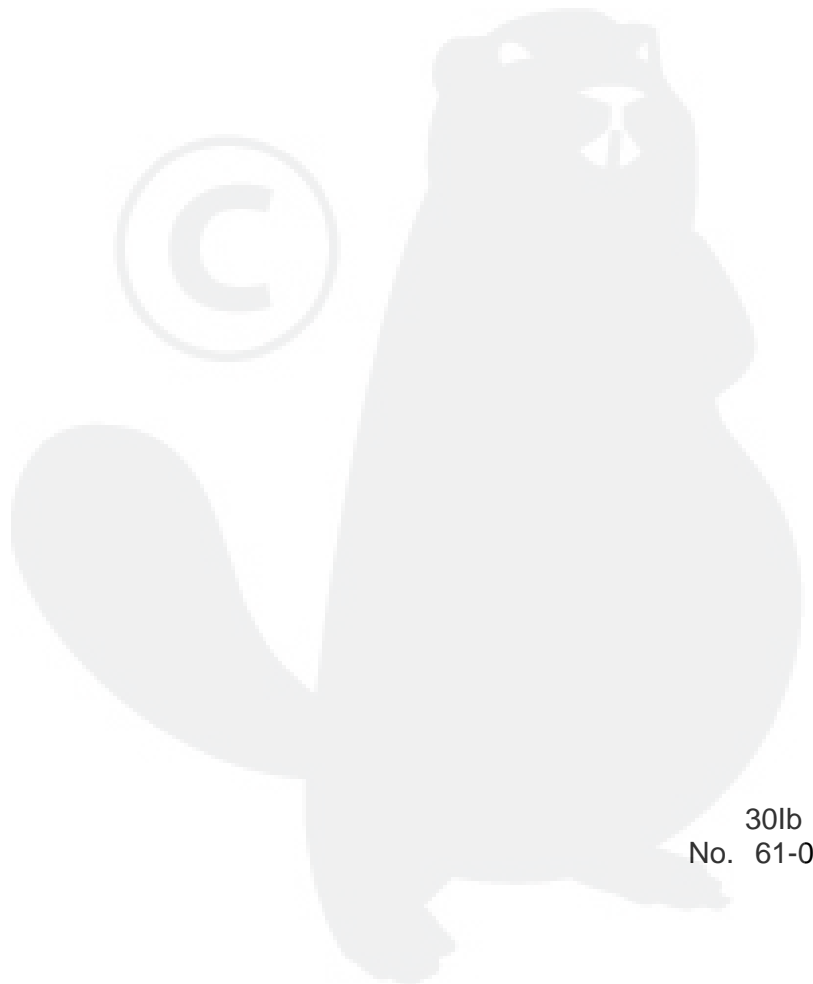
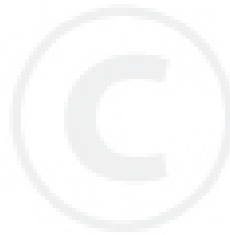
| Patrs Number | Key No. | Patrs Number | Key No. | Patrs Number | Key No. |
|---------------------|----------------|---------------------|----------------|---------------------|----------------|
| 91118-05014 | 5 - 32 | P021-007442 | 1 - 28 | | |
| 91118-05014 | 6 - 21 | P021-008640 | 4 - 2 | | |
| 91118-05018 | 4 - 5 | P021-012680 | 7 - 9 | | |
| 91118-05020 | 5 - 12 | P021-012690 | 6 - 19 | | |
| 91118-05020 | 5 - 28 | P021-012710 | 5 - 11 | | |
| 91118-05020 | 7 - 7 | P021-012720 | 7 - 6 | | |
| 91118-05022 | 1 - 46 | P021-012730 | 6 - 16 | | |
| 91118-05022 | 2 - 4 | P021-013570 | 6 - 5 | | |
| 91118-05025 | 5 - 29 | P021-016360 | 7 - 41 | | |
| 91118-05025 | 6 - 17 | P021-034160 | 1 - 7 | | |
| 91118-05030 | 5 - 22 | P021-034161 | 1 - 7 | | |
| 91118-05035 | 5 - 20 | V152-001420 | 1 - 44 | | |
| 91118-05035 | 6 - 20 | V430-002030 | 6 - 14 | | |
| 91118-05035 | 7 - 14 | V452-000060 | 6 - 3 | | |
| 91119-05012 | 7 - 15 | V452-000130 | 6 - 10 | | |
| 91119-05016 | 4 - 27 | V475-001610 | 2 - 28 | | |
| A021-000951 | 3 - 6 | V475-002930 | 6 - 25 | | |
| A021-000951 | 8 - | V475-003570 | 2 - 43 | | |
| A130-000590 | 1 - 6 | V485-000160 | 2 - 19 | | |
| A369-000000 | 4 - 24 | V485-000510 | 2 - 42 | | |
| A409-000221 | 2 - 26 | V495-000000 | 6 - 26 | | |
| A410-000000 | 2 - 40 | V541-000110 | 1 - 42 | | |
| A411-000191 | 2 - 39 | V541-000120 | 1 - 43 | | |
| A425-000000 | 2 - 25 | V580-000010 | 1 - 10 | | |
| C050-000600 | 5 - 8 | X502-000640 | 2 - 3 | | |
| C450-000022 | 6 - 11 | X547-001120 | 1 - 41 | | |
| C460-000011 | 6 - 9 | X602-000020 | 7 - 44 | | |
| C463-000000 | 6 - 2 | X606-000080 | 7 - 42 | | |
| C535-000050 | 7 - 22 | X690-000050 | 7 - 45 | | |
| C535-000060 | 7 - 23 | | | | |
| P005-001420 | 8 - 4 | | | | |
| P005-001430 | 8 - 3 | | | | |
| P005-001440 | 8 - 30 | | | | |
| P005-001450 | 8 - 15 | | | | |
| P005-001460 | 8 - 14 | | | | |
| P005-001470 | 8 - 33 | | | | |
| P005-001480 | 8 - 12 | | | | |
| P005-001490 | 8 - 11 | | | | |
| P005-001500 | 8 - 36 | | | | |
| P005-001510 | 8 - 35 | | | | |
| P005-001520 | 8 - 41 | | | | |
| P005-001530 | 8 - 40 | | | | |
| P005-001560 | 8 - 37 | | | | |
| P005-001610 | 8 - 8 | | | | |
| P005-001850 | 8 - 28 | | | | |
| P005-001860 | 8 - 10 | | | | |
| P005-001870 | 8 - 42 | | | | |
| P021-002861 | 7 - 45 | | | | |
| P021-007300 | 1 - 7 | | | | |



YAMABIKO CORPORATION

7-2 SUEHIROCHO 1-CHOME, OHME, TOKYO 198-8760, JAPAN
PHONE: 81-428-32-6118. FAX: 81-428-32-6145.

ECHO®



30lb
No. 61-072