



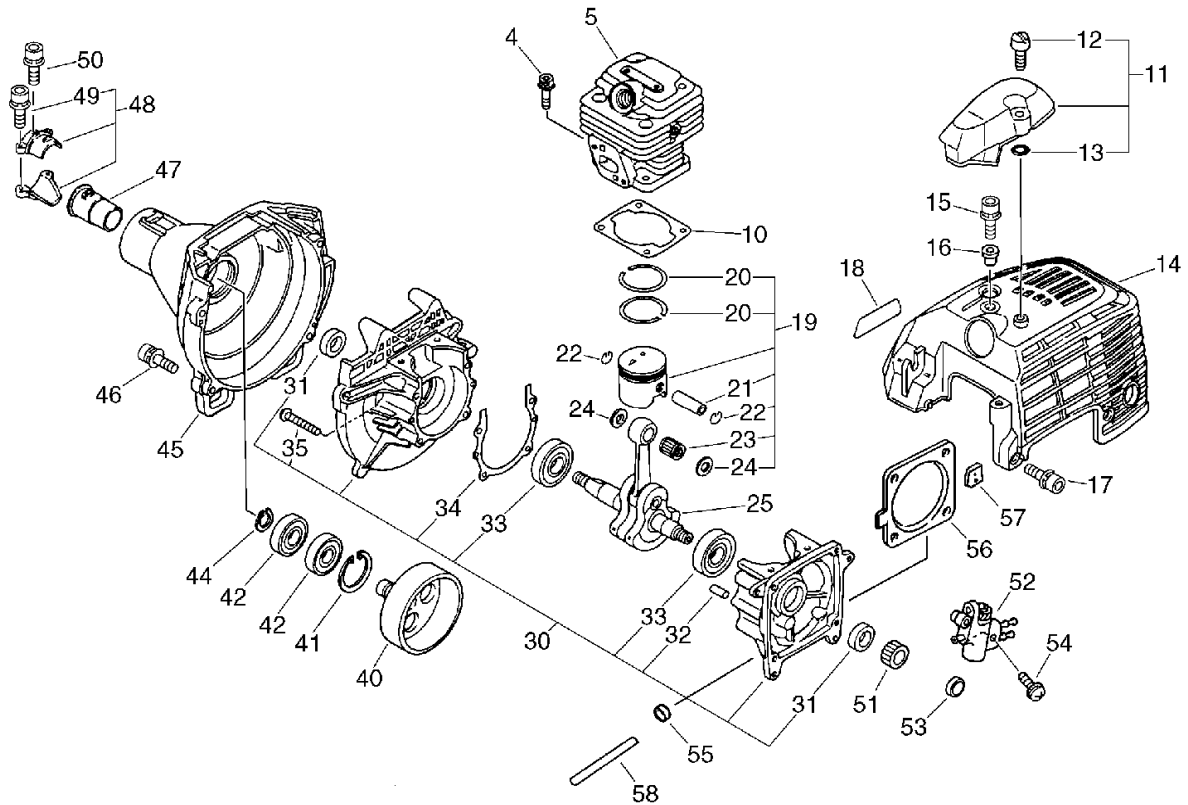
PARTS CATALOG

GRASS-TRIMMER / BRUSHCUTTER

SRM-360SL(6digits)(36)

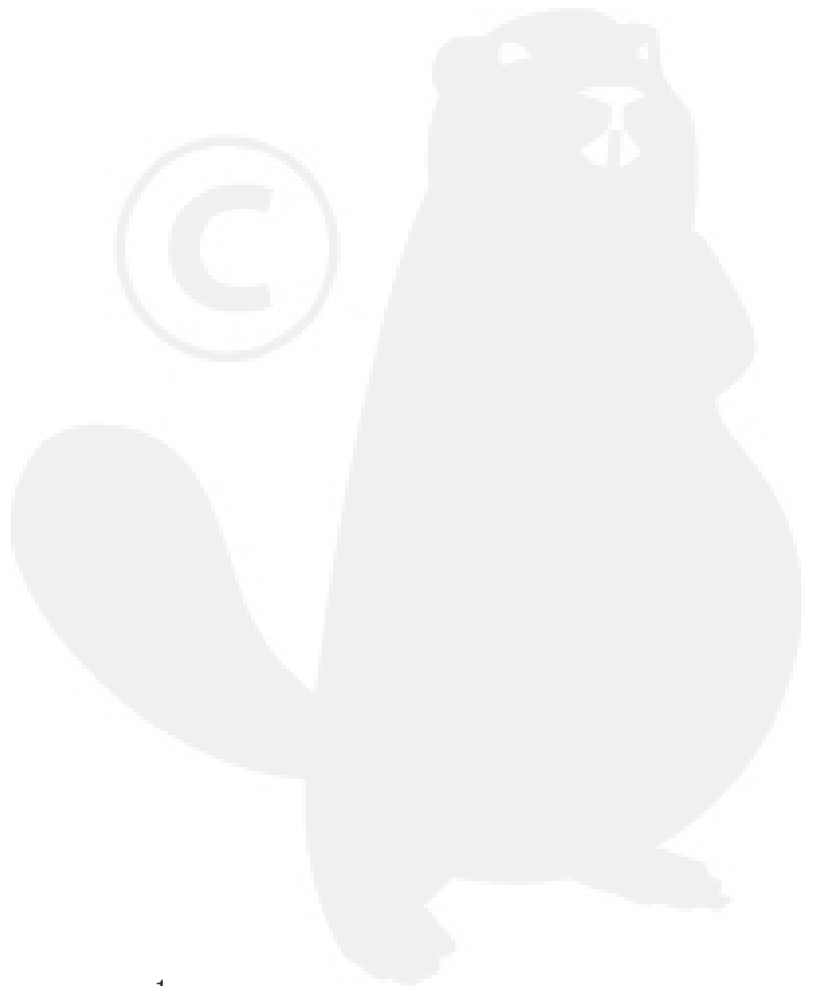
SRM-360SL(6digits)(36)

1. Cylinder, Crankcase, Piston, Fan Cover(Sr/Nr 36003113 and befo

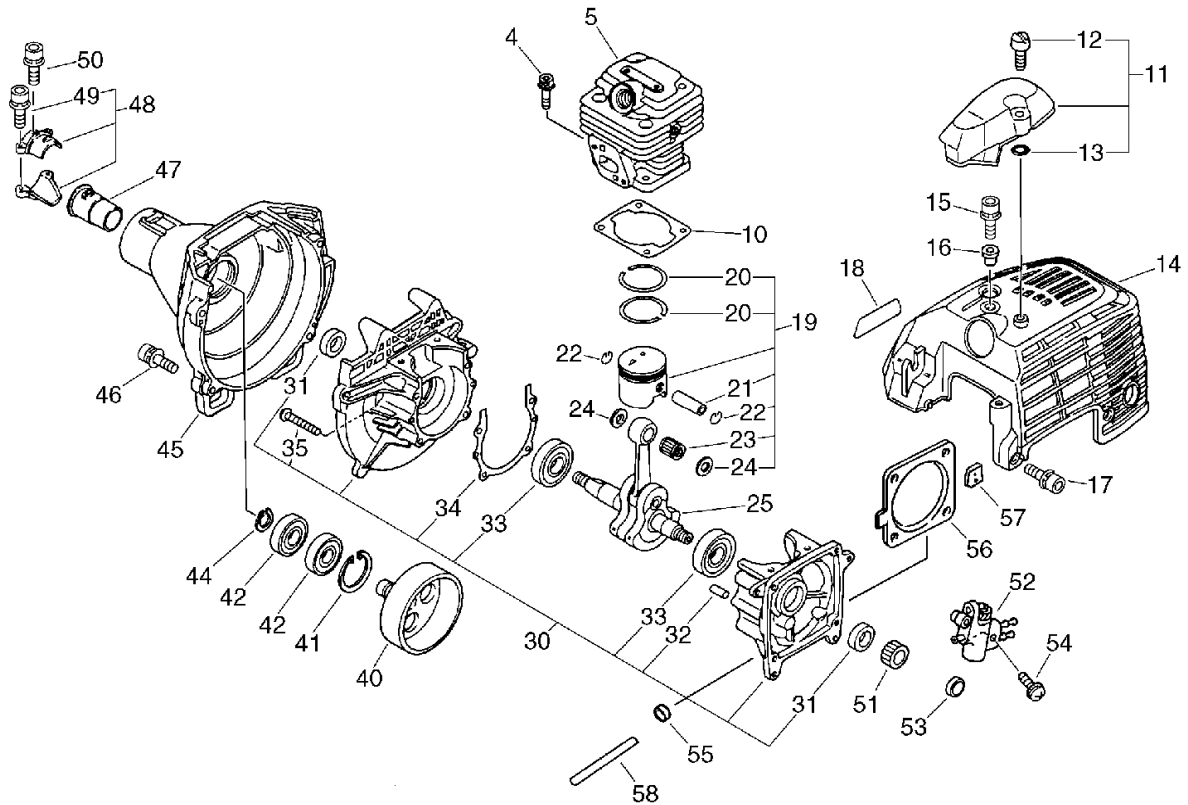


KEY	LV	PART NUMBER	Q'TY	DESCRIPTION	REMARKS	NOTE1	NOTE2
4		900162-05020	4	BOLT, H.S. 5*20	5*20 W,SW		
5		101034-55830	1	CYLINDER		Sus. by A130-000601	
5		A130-000600	1	CYLINDER		Sus. by A130-000601	
5		A130-000601	1	CYLINDER			
10		101010-55430	1	GASKET, CYL. BASE			
11		159902-55230	1	GUARD KIT, TOP			
12	+	352325-55230	1	KNOB, FASTENER			
13	+	900720-00004	1	O-RING (P-4)	P-4		
14		101514-55630	1	COVER, CYLINDER			
15		900162-05020	1	BOLT, H.S. 5*20	5*20 W,SW	Sus. by 91118-05020	
16		101531-55230	1	COLLAR			
17		900162-05012	2	BOLT, H.S. 5*12	5*12 W,SW	Sus. by 91118-05012	
18		890112-64730	1	LABEL, MODEL		Sus. by X547-001020	
19		100000-55830	1	PISTON KIT		Sus. by P021-007410	
19		100000-55831	1	PISTON KIT		Sus. by P021-007410	
19		100000-55832	1	PISTON KIT		Sus. by P021-007410	
19		P021-007410	1	PISTON KIT		Sus. by P021-015780	

ore)



1. Cylinder, Crankcase, Piston, Fan Cover(Sr/Nr 36003113 and before)

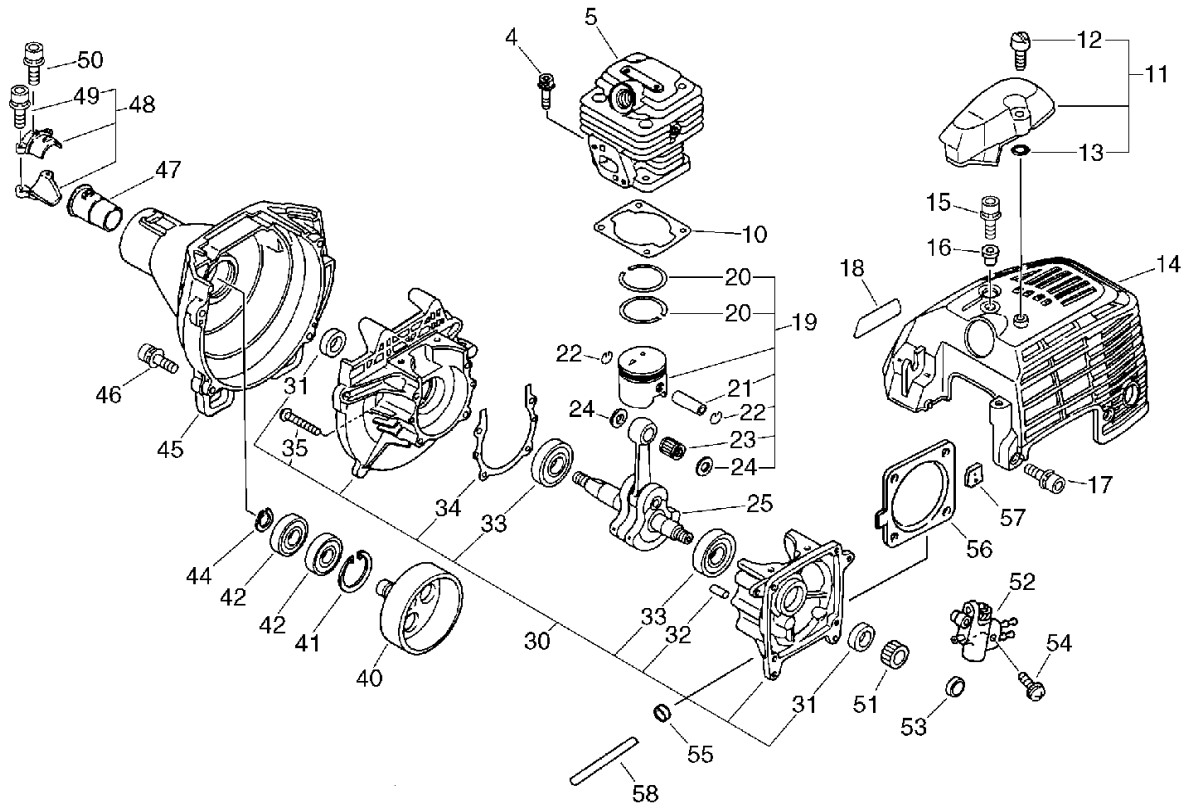


KEY	LV	PART NUMBER	Q'TY	DESCRIPTION	REMARKS	NOTE1	NOTE2
20	+	100011-42230	2	RING, PISTON			
21	+	100013-27430	1	PIN, PISTON			
22	+	100015-03930	2	CIRCLIP, PISTON PIN		Sus. by 100015-03931	
22	+	100015-03931	2	CIRCLIP, PISTON PIN			
23	+	100012-16131	1	BEARING, NEEDLE			
24	+	100014-53630	2	SPACER, PISTON PIN			
25		100100-56930	1	CRANKSHAFT ASSY			
30		100204-56930	1	CRANKCASE KIT			
31	+	100213-05530	2	OILSEAL	ISCD 12 22 7		
32	+	100215-03930	4	PIN, DOWEL			
33	+	900810-36201	2	BEARING, BALL 6201	6201/C3	Sus. by 94035-36201	
33	+	94035-36201	2	BEARING BALL	6201X3JR2C3		
34	+	100242-55430	1	GASKET, CRANKCASE			
35	+	900162-05030	4	BOLT, H.S. 5*30	5*30 W,SW		
40		175005-49930	1	DRUM, CLUTCH			
41		900702-00028	1	CIRCLIP 28	CR-28		
42		900807-06001	2	BEARING, BALL 6001	6001V(LB)		
44		900701-00012	1	CIRCLIP 12	CS-12		
45		101511-55430	1	COVER, FAN			
46		900162-05020	4	BOLT, H.S. 5*20	5*20 W,SW	Sus. by 91118-05020	
47		610910-55630	1	CUSHION		Sus. by 610910-51830	
47		610910-51830	1	CUSHION			

ore)



1. Cylinder, Crankcase, Piston, Fan Cover(Sr/Nr 36003113 and before)

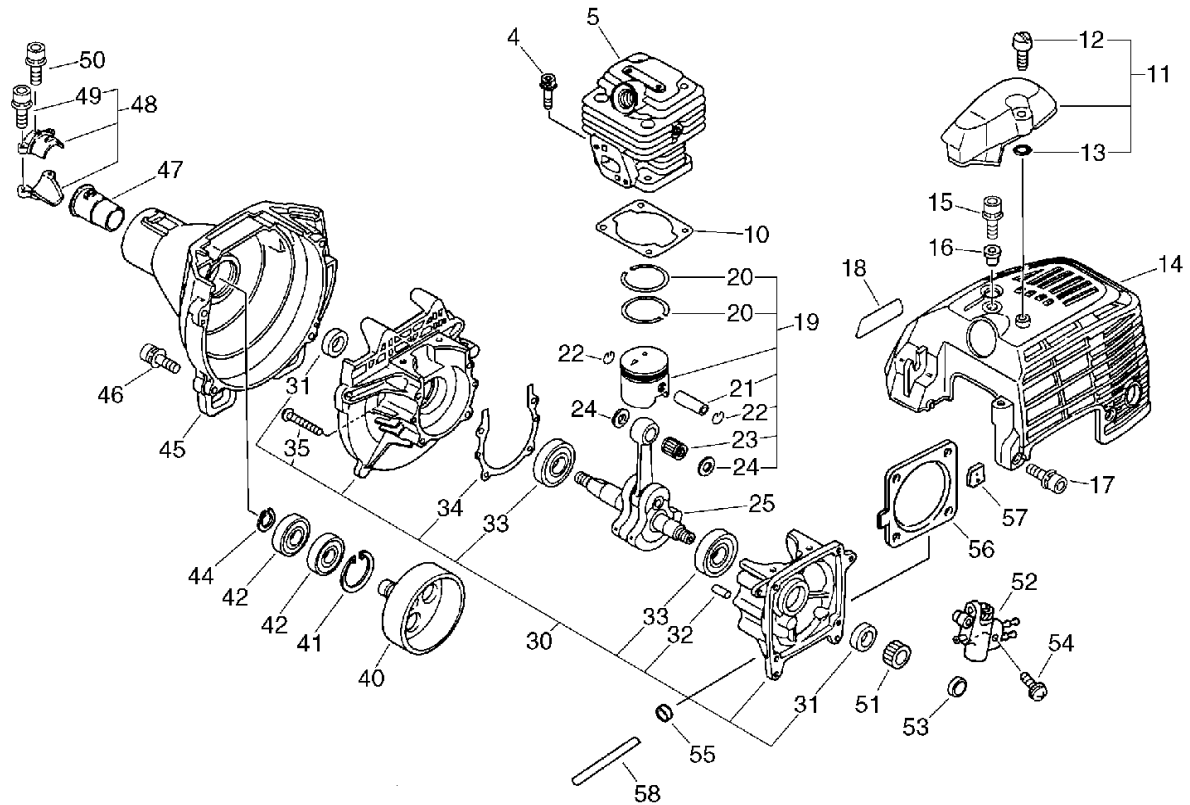


KEY	LV	PART NUMBER	Q'TY	DESCRIPTION	REMARKS	NOTE1	NOTE2
48		610903-55630	1	HOLDER KIT		Sus. by P021-012800	
49	+	900162-05025	2	BOLT, H.S. 5*25	5*25 W,SW	Sus. by 91118-05025	
50		900162-05012	1	BOLT, H.S. 5*12	5*12 W,SW	Sus. by 91118-05012	
51		437063-50430	1	GEAR, WORM			
52		437002-49930	1	AUTO-OILER ASSEMBLY		Sus. by 437002-49931	
52		437002-49931	1	AUTO-OILER ASSEMBLY			
53		100127-50430	1	COLLAR 8			
54		900240-04016	2	SCREW 4*16	4*16		
55		178810-03930	1	GROMMET			
56		101586-56930	1	SPACER			
57		437243-56930	1	GROMMET, OIL			
58		132717-34330	1	PIPE, 2*4*115	2*4*115		

ore)



2. Cylinder, Crankcase, Piston, Fan Cover(Sr/Nr 36003114 and after)

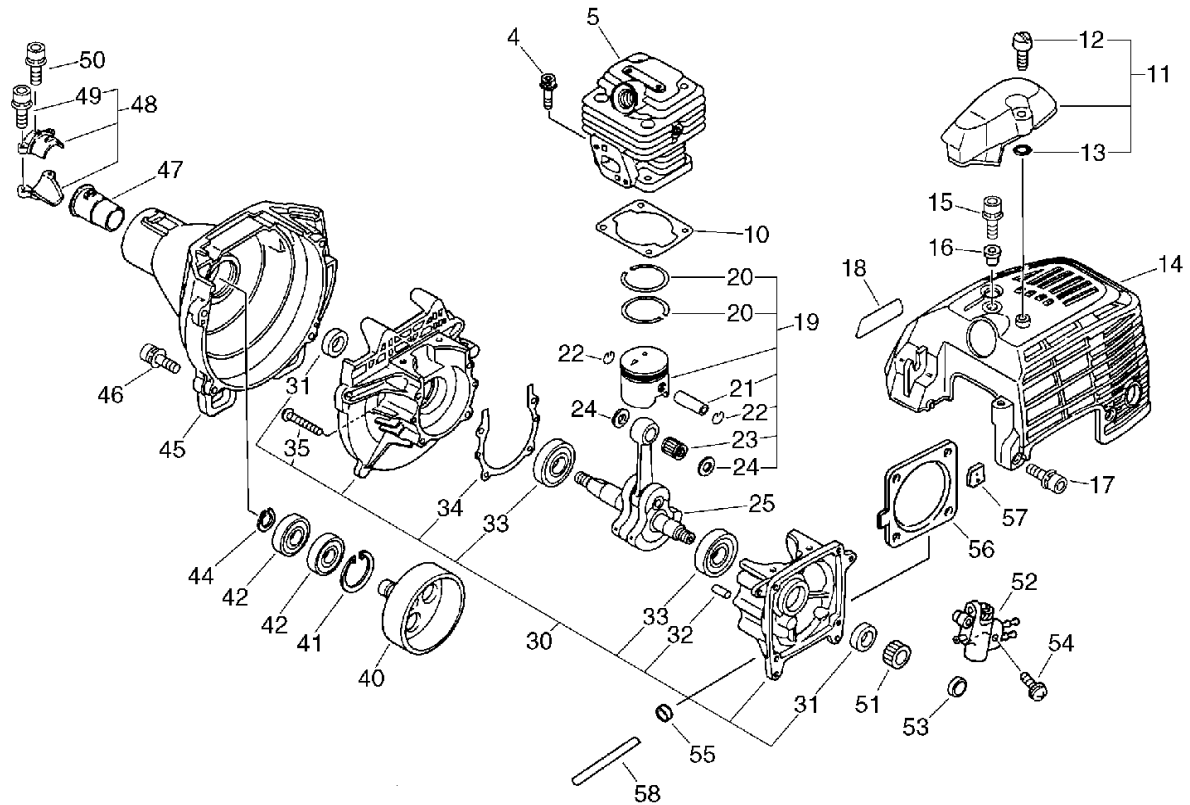


KEY	LV	PART NUMBER	Q'TY	DESCRIPTION	REMARKS	NOTE1	NOTE2
4		900162-05020	4	BOLT, H.S. 5*20	5*20 W,SW		
5		A130-000601	1	CYLINDER			
10		101010-55430	1	GASKET, CYL. BASE			
11		159902-55230	1	GUARD KIT, TOP			
12	+	352325-55230	1	KNOB, FASTENER			
13	+	900720-00004	1	O-RING (P-4)	P-4		
14		101514-55630	1	COVER, CYLINDER			
15		91118-05020	1	BOLT	CM-5*20		
16		101531-55230	1	COLLAR			
17		91118-05012	1	BOLT	CM-5*12		
18		890112-64730	1	LABEL, MODEL		Sus. by X547-001020	
18		X547-001020	1	LABEL, ECHO	ECHO+SRM-360SL		
19		P021-007410	1	PISTON KIT			
20	+	100011-42230	2	RING, PISTON			
21	+	100013-27430	1	PIN, PISTON			
22	+	100015-03931	2	CIRCLIP, PISTON PIN			
23	+	100012-16131	1	BEARING, NEEDLE			
24	+	100014-53630	2	SPACER, PISTON PIN			
25		100100-56930	1	CRANKSHAFT ASSY			
30		100204-56930	1	CRANKCASE KIT			
31	+	100213-05530	2	OILSEAL	ISCD 12 22 7		
32	+	100215-03930	4	PIN, DOWEL			
33	+	94035-36201	2	BEARING BALL	6201X3JR2C3		
34	+	100242-55430	1	GASKET, CRANKCASE			

er)

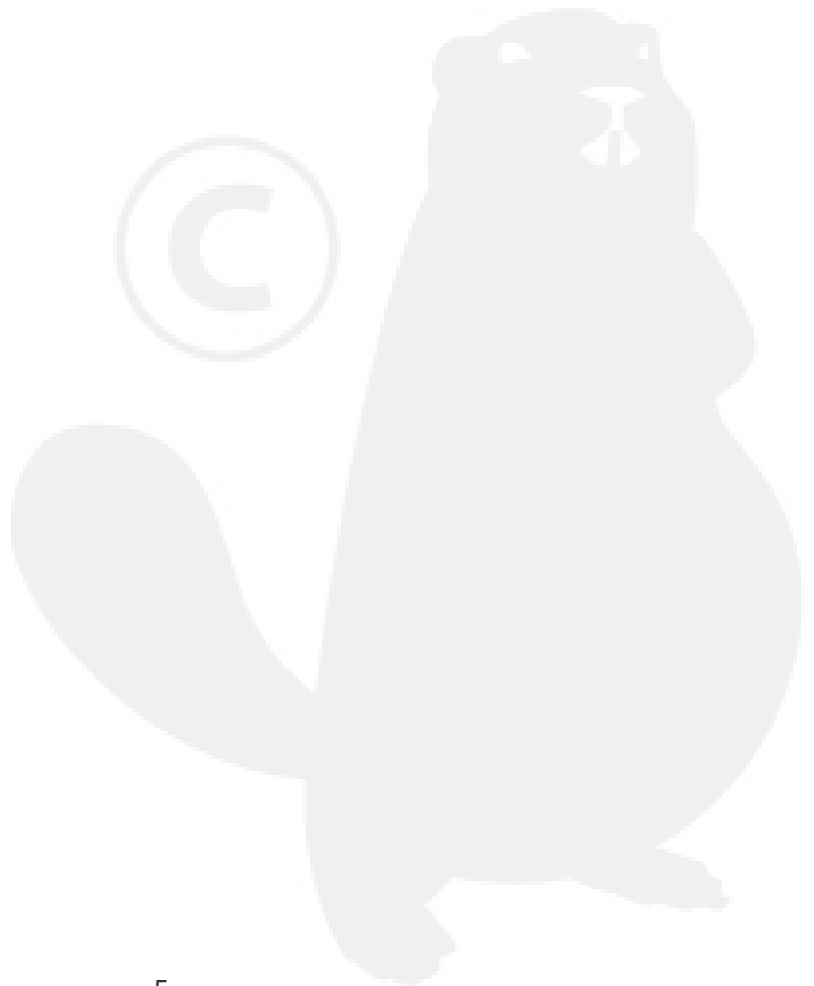


2. Cylinder, Crankcase, Piston, Fan Cover(Sr/Nr 36003114 and after)

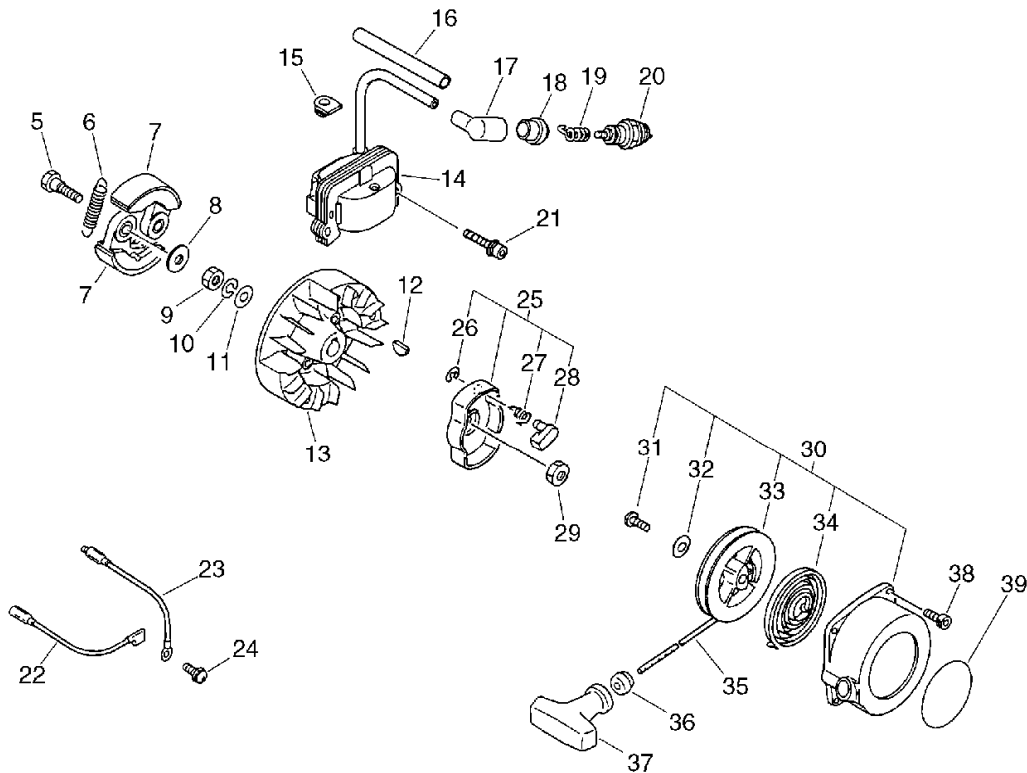


KEY	LV	PART NUMBER	Q'TY	DESCRIPTION	REMARKS	NOTE1	NOTE2
35	+	900162-05030	4	BOLT, H.S. 5*30	5*30 W,SW		
40		175005-49930	1	DRUM, CLUTCH			
41		900702-00028	1	CIRCLIP 28	CR-28		
42		900807-06001	2	BEARING, BALL 6001	6001V(LB)		
44		900701-00012	1	CIRCLIP 12	CS-12		
45		101511-55430	1	COVER, FAN			
46		91118-05020	4	BOLT	CM-5*20		
47		610910-51830	1	CUSHION			
48		P021-012800	1	HOLDER KIT			
49	+	91118-05025	2	BOLT	CM-5*25		
50		91118-05012	1	BOLT	CM-5*12		
51		437063-50430	1	GEAR, WORM			
52		437002-49931	1	AUTO-OILER ASSEMBLY			
53		100127-50430	1	COLLAR 8			
54		900240-04016	2	SCREW 4*16	4*16		
55		178810-03930	1	GROMMET			
56		101586-56930	1	SPACER			
57		437243-56930	1	GROMMET, OIL			
58		132717-34330	1	PIPE, 2*4*115	2*4*115		

er)

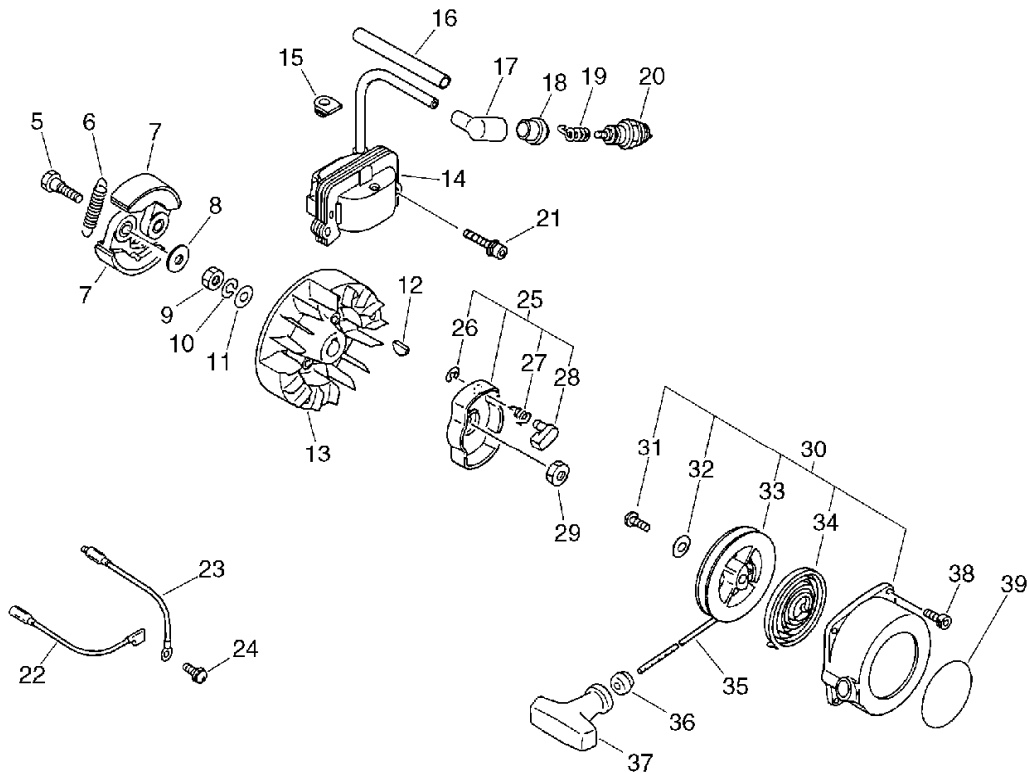


3. Starter, Magneto, Clutch(Sr/Nr 36003113 and before)



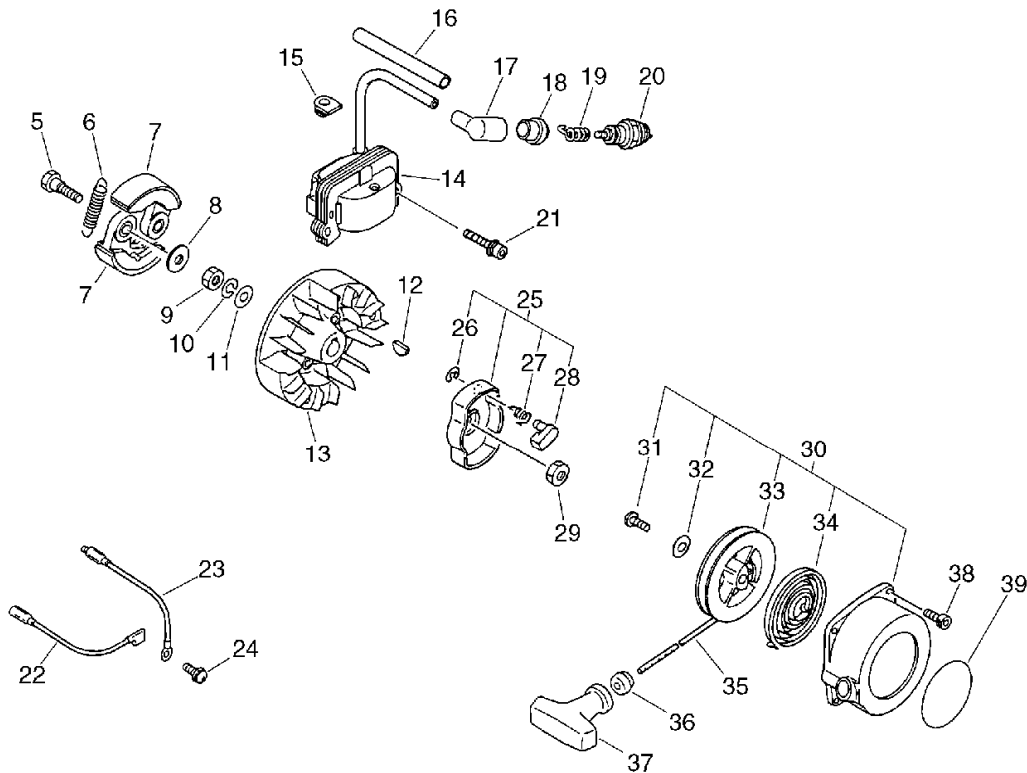
KEY	LV	PART NUMBER	Q'TY	DESCRIPTION	REMARKS	NOTE1	NOTE2
5		175046-46430	2	BOLT, CLUTCH			
6		175018-49931	1	SPRING, CLUTCH		Sus. by 175018-49932	
6		175018-49932	1	SPRING, CLUTCH			
7		175009-49930	2	SHOE, CLUTCH		Sus. by A553-000000	
7		A553-000000	2	ARM,CLUTCH			
8		175048-05530	2	WASHER (I)	6.2*19*1.0		
9		900502-00008	1	NUT 8 (3N)	3N8		
10		900605-00008	1	WASHER, SPRING 8	8		
11		900600-00008	1	WASHER 8	8		
12		100142-12330	1	KEY, WOODRUFF			
13		152801-55430	1	ROTOR, MAGNET			
14		152626-55430	1	COIL, IGNITION			
15		150112-44330	1	BUSHING			
16		150611-14530	1	TUBE 6*7*110	6*7*110		
17		159012-01620	1	CAP, SPARK PLUG			
18		159015-55230	1	COVER, PLUG CAP			
19		159011-03432	1	COIL, SPARK PLUG			
20		159010-10230	1	PLUG, SPARK (BPMR-7A)	BPMR-7A		
21		900162-05020	2	BOLT, H.S. 5*20	5*20 W,SW		
22		162010-50330	1	LEAD, GROUND		Sus. by 162021-27230	
22		162021-27230	1	LEAD			
23		162014-50330	1	LEAD, GROUND			
24		900238-05010	1	SCREW 5*10	5*10		

3. Starter, Magneto, Clutch(Sr/Nr 36003113 and before)



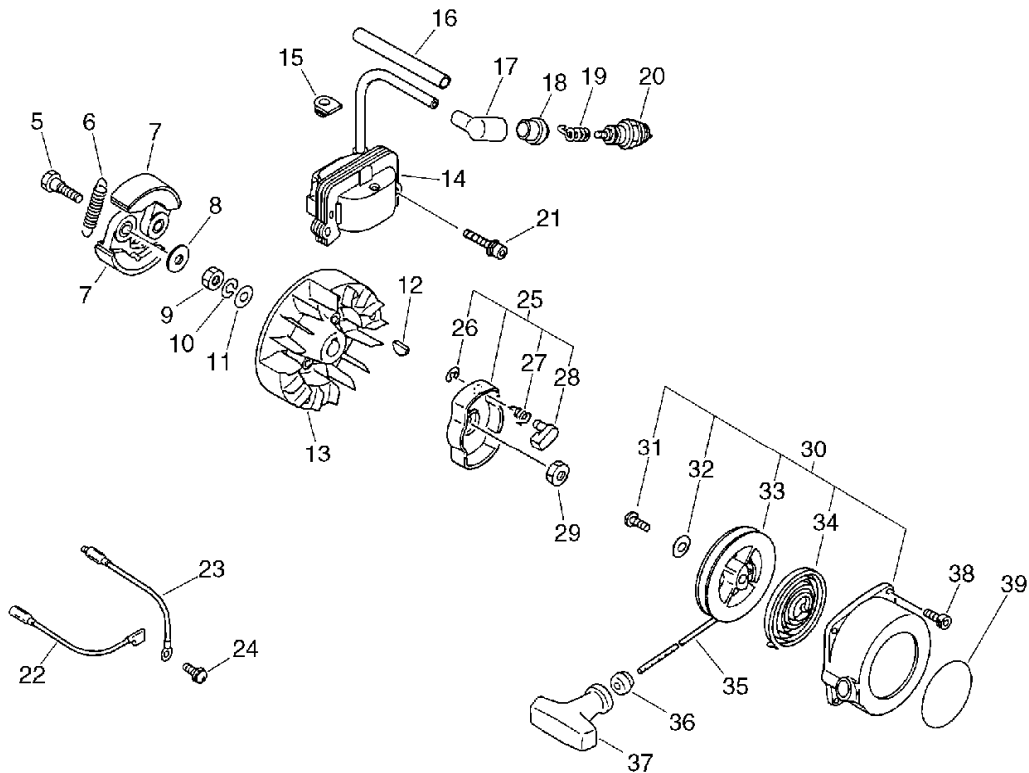
KEY	LV	PART NUMBER	Q'TY	DESCRIPTION	REMARKS	NOTE1	NOTE2
25		177202-41030	1	PAWL ASSY, STARTER			
26	+	900700-00004	1	E-RING 4	CE-4		
27	+	177234-40630	1	SPRING, RETURN			
28	+	177218-40630	1	PAWL, STARTER	WHITE		
29		900502-00008	1	NUT 8 (3N)	3N8		
30		177200-55631	1	STARTER ASSY			
31	+	177236-40630	1	SCREW			
32	+	177214-41030	1	WASHER			
33	+	177215-43130	1	DRUM, STARTER			
34	+	177220-40630	1	SPRING, REWIND			
35	+	177226-01110	1	ROPE, STARTER	4.0*880		
36	+	177227-42030	1	GUIDE, ROPE			
37	+	177228-27030	1	GRIP, STARTER			
38		900162-04030	4	BOLT, H.S. 4*30	4*30 W.SW	Sus. by 91118-04030	
39		890118-49330	1	LABEL, ECHO		Sus. by X502-000450	

4. Starter, Magneto, Clutch(Sr/Nr 36003114 and after)



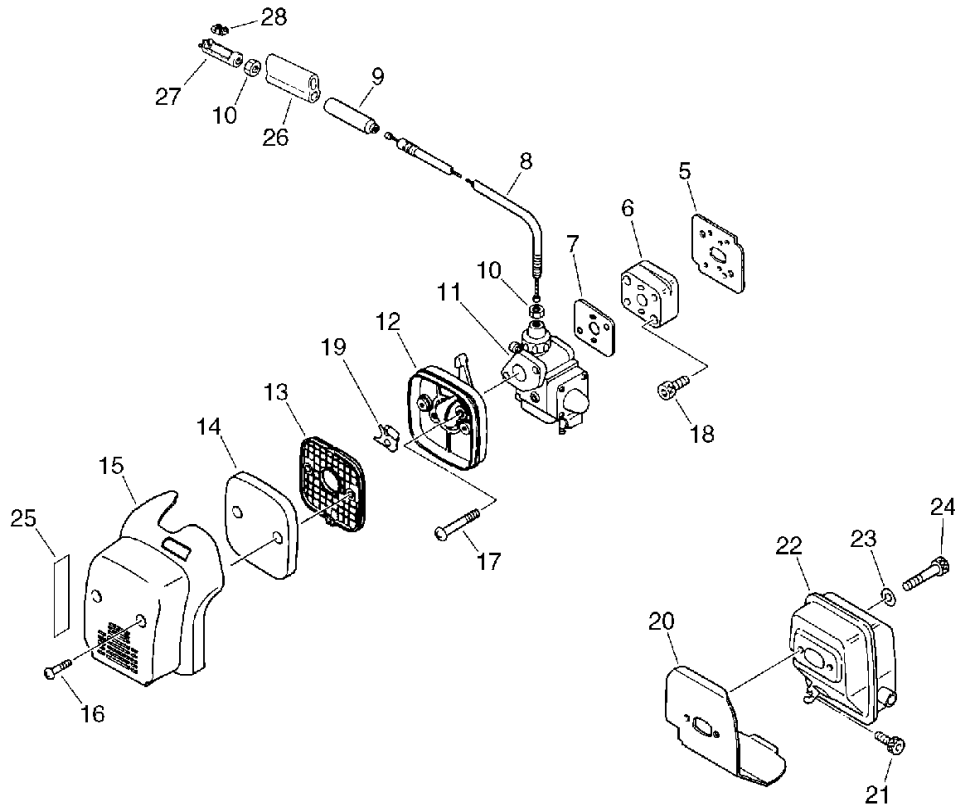
KEY	LV	PART NUMBER	Q'TY	DESCRIPTION	REMARKS	NOTE1	NOTE2
5		175046-46430	2	BOLT, CLUTCH			
6		175018-49932	1	SPRING, CLUTCH			
7		A553-000000	2	ARM, CLUTCH			
8		175048-05530	2	WASHER (I)	6.2*19*1.0		
9		900502-00008	1	NUT 8 (3N)	3N8		
10		900605-00008	1	WASHER, SPRING 8	8		
11		900600-00008	1	WASHER 8	8		
12		100142-12330	1	KEY, WOODRUFF			
13		152801-55430	1	ROTOR, MAGNET			
14		152626-55430	1	COIL, IGNITION			
15		150112-44330	1	BUSHING			
16		150611-14530	1	TUBE 6*7*110	6*7*110		
17		159012-01620	1	CAP, SPARK PLUG			
18		159015-55230	1	COVER, PLUG CAP			
19		159011-03432	1	COIL, SPARK PLUG			
20		159010-10230	1	PLUG, SPARK (BPMR-7A)	BPMR-7A		
21		900162-05020	2	BOLT, H.S. 5*20	5*20 W,SW		
22		162021-27230	1	LEAD			
23		162014-50330	1	LEAD, GROUND			
24		900238-05010	1	SCREW 5*10	5*10		
25		177202-41030	1	PAWL ASSY, STARTER			
26	+	900700-00004	1	E-RING 4	CE-4		
27	+	177234-40630	1	SPRING, RETURN			
28	+	177218-40630	1	PAWL, STARTER	WHITE		
29		900502-00008	1	NUT 8 (3N)	3N8		
30		177200-55631	1	STARTER ASSY			

4. Starter, Magneto, Clutch(Sr/Nr 36003114 and after)



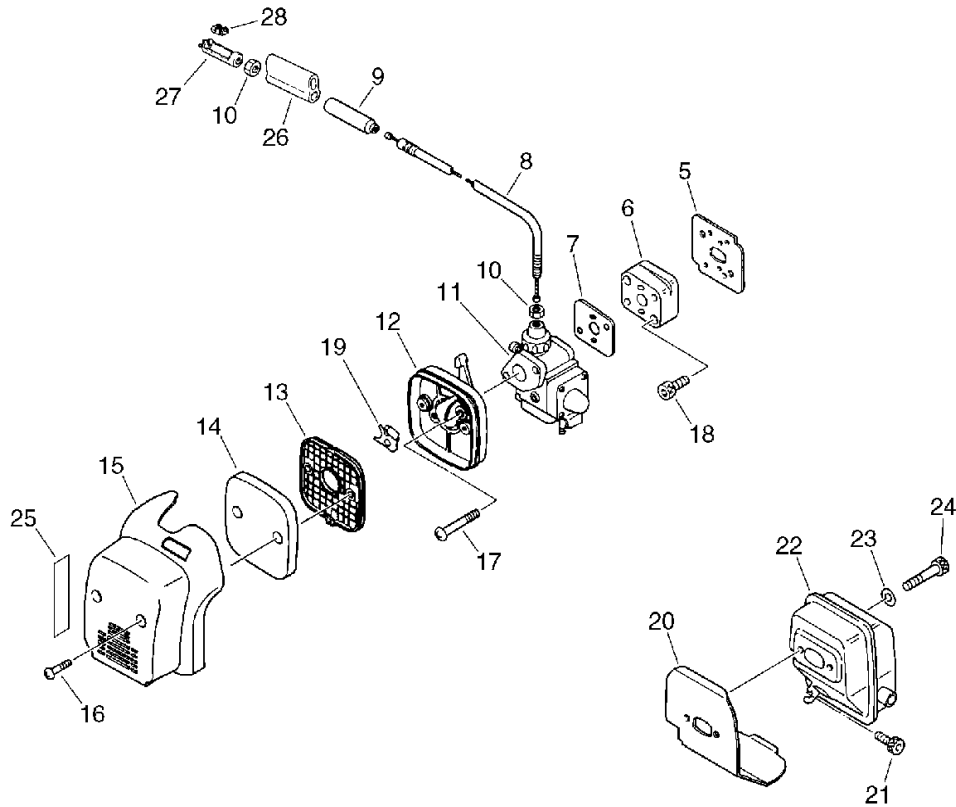
KEY	LV	PART NUMBER	Q'TY	DESCRIPTION	REMARKS	NOTE1	NOTE2
31	+	177236-40630	1	SCREW			
32	+	177214-41030	1	WASHER			
33	+	177215-43130	1	DRUM, STARTER			
34	+	177220-40630	1	SPRING, REWIND			
35	+	177226-01110	1	ROPE, STARTER	4.0*880		
36	+	177227-42030	1	GUIDE, ROPE			
37	+	177228-27030	1	GRIP, STARTER			
38		91118-04030	4	BOLT	CM-4*30		
39		890118-49330	1	LABEL, ECHO		Sus. by X502-000450	
39		X502-000450	1	LABEL,ECHO			

5. Air Cleaner, Muffler



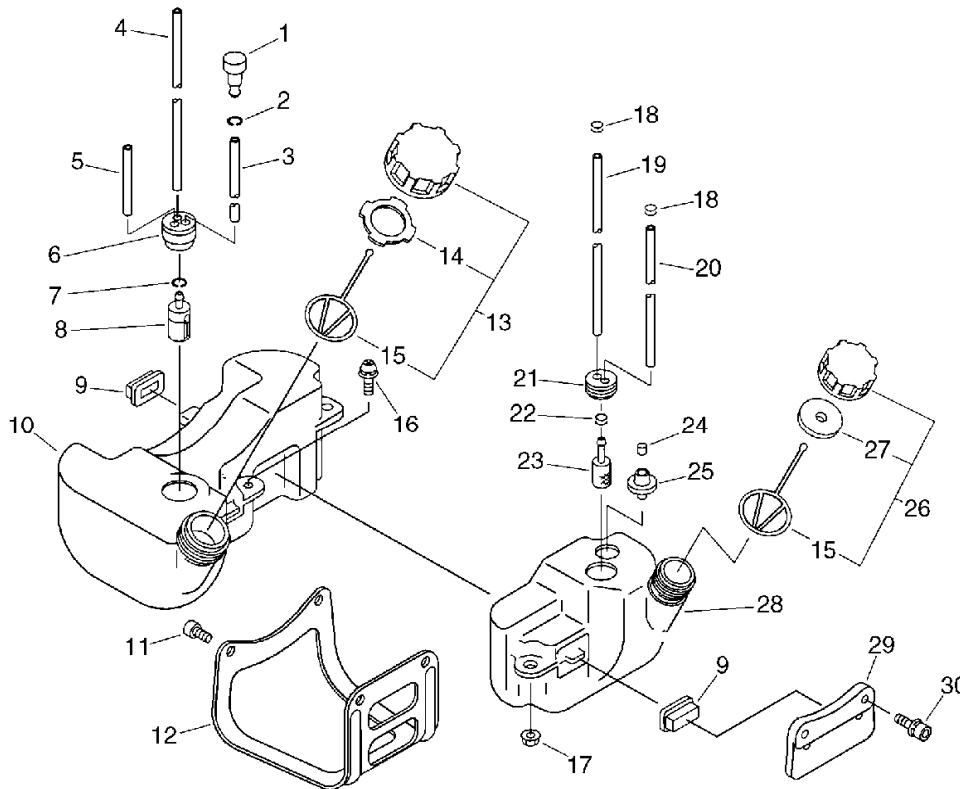
KEY	LV	PART NUMBER	Q'TY	DESCRIPTION	REMARKS	NOTE1	NOTE2
5		130016-55430	1	GASKET, INTAKE			
6		130007-56930	1	INSULATOR, INTAKE			
7		130010-52830	1	GASKET, INTAKE			
8		178001-50330	1	WIRE, THROTTLE			
9		178127-50330	1	TUBE	10*11*140		
10		178021-05530	2	LOCKNUT			
11		124200-64730	1	CARBURETOR ASY		Sus. by 124200-64731	
11		124200-64731	1	CARBURETOR	DPR11-1H		
12		130307-53930	1	CASE, AIR CLEANER		Sus. by 130307-52830	
12		130307-52830	1	CASE, AIR CLEANER			
13		130311-52830	1	GRID, AIR CLEANER			
14		130310-52830	1	FILTER, AIR			
15		130308-52831	1	LID, AIR CLEANER			
16		900242-04020	2	SCREW 4*20	4*20		
17		900242-05050	2	SCREW 5*50	5*50		
18		900162-05025	2	BOLT, H.S. 5*25	5*25 W,SW		
19		178523-55130	1	SPRING, CHOKE		Sr/Nr 003230 and before	
20		145510-55430	1	GASKET, MUFFLER			
21		900162-05012	1	BOLT, H.S. 5*12	5*12 W,SW		
22		145610-55230	1	MUFFLER		Sus. by P021-008870	
22		P021-008870	1	MUFFLER ASY			
23		900600-00005	2	WASHER 5	5		

5. Air Cleaner, Muffler



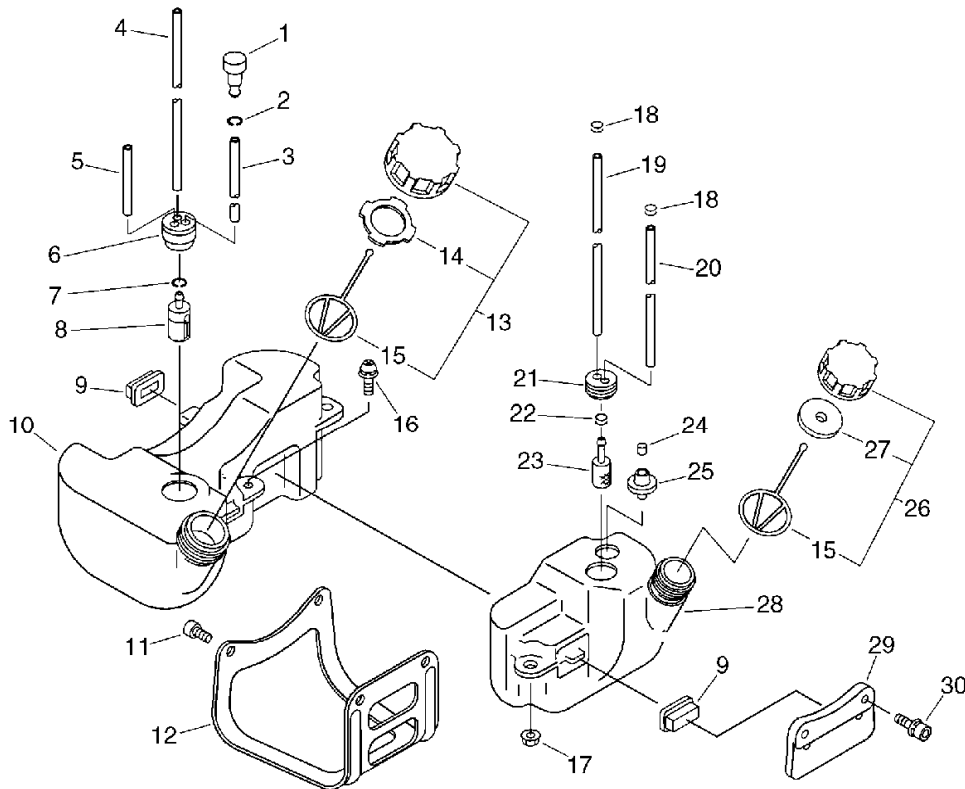
KEY	LV	PART NUMBER	Q'TY	DESCRIPTION	REMARKS	NOTE1	NOTE2
24		900105-05060	2	BOLT, H.S. 5*60	5*60		
25		890012-62530	1	LABEL, METERING			
26		178128-22130	1	SLEEVE			
27		178114-05630	1	CONNECTOR, THR. WIRE			
28		178049-06630	1	CONNECTOR			

6. Fuel Tank(Sr/Nr 36003113 and before)



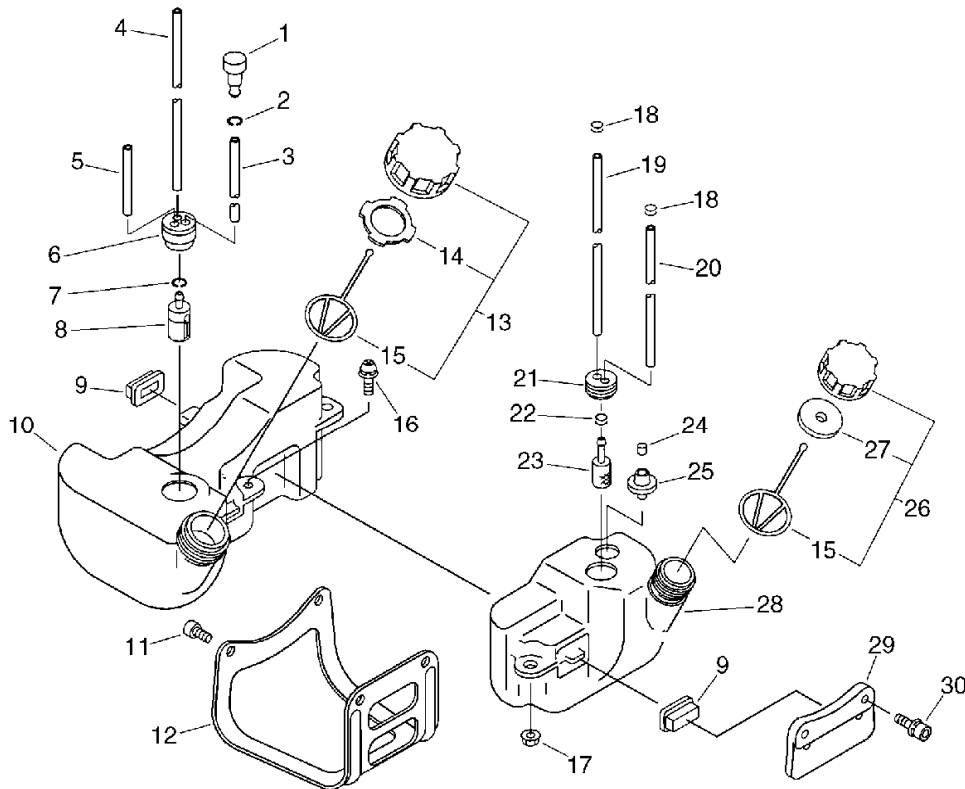
KEY	LV	PART NUMBER	Q'TY	DESCRIPTION	REMARKS	NOTE1	NOTE2
1		131300-56430	1	VALVE, CHECK			
2		130111-00530	1	CLIP	5.5		
3		437210-11131	1	PIPE 3*5*90 NBR	3*5*90 NBR	Sus. by V471-001210	
3		V471-001210	1	PIPE	3*5*90 NBR		
4		132010-52030	1	PIPE	3*6*170 NBR		
5		437215-20760	1	PIPE 3*6*60	3*6*60 YL		
6		132115-55930	1	GROMMET, FUEL			
7		132013-26630	1	CLIP	6.5MM		
8		131205-14930	1	STRAINER, FUEL			
9		131920-55430	4	CUSHION, FUEL TANK			
10		131005-56930	1	TANK, FUEL		Sus. by 131005-56931	
10		131005-56931	1	TANK, FUEL			
11		900162-05012	2	BOLT, H.S. 5*12	5*12 W,SW	Sus. by 91118-05012	
12		305110-55630	1	STAND			
13		131004-54930	1	CAP ASSY, FUEL TANK			
14	+	131016-55830	1	GASKET, FUEL CAP			
15	+	131051-52430	1	CONNECTOR, CAP	80L		
16		900239-05018	2	SCREW 5*18	5*18		
17		900518-00005	2	NUT, FLANGE 5	5		
18		437221-54930	4	CLIP			
19		132717-36030	1	PIPE 2*4*180	2*4*180		
20		132717-34630	1	PIPE, 2*4*100	2*4*100		
21		132115-50430	1	GROMMET, FUEL			

6. Fuel Tank(Sr/Nr 36003113 and before)



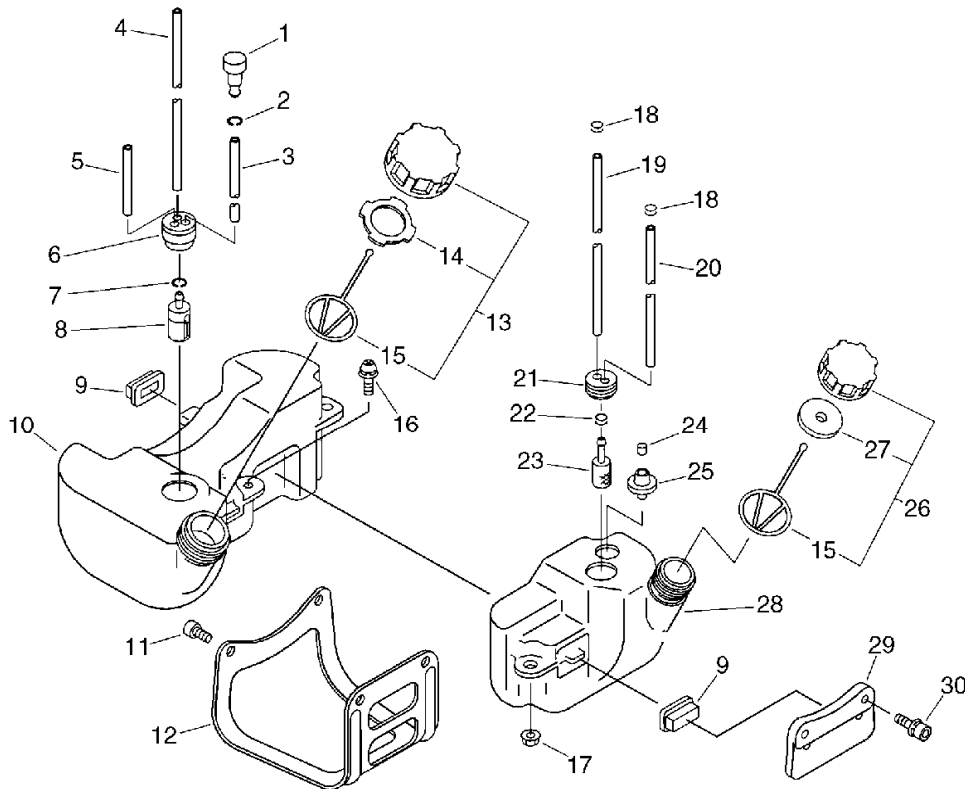
KEY	LV	PART NUMBER	Q'TY	DESCRIPTION	REMARKS	NOTE1	NOTE2
22		132013-50430	1	CLIP, PIPE			
23		436205-50430	1	STRAINER, OIL			
24		131315-05020	1	FILTER			
25		131314-06320	1	VALVE, CHECK			
26		436001-56530	1	CAP ASSY, OIL TANK			
15	+	131051-52430	1	CONNECTOR, CAP	80L		
27	+	436012-37830	1	GASKET, CIRCULAR			
28		436010-56930	1	TANK, OIL			
29		131910-55430	1	BRACKET, FUEL TANK			
30		900162-05020	2	BOLT, H.S. 5*20	5*20 W,SW	Sus. by 91118-05020	

7. Fuel Tank(Sr/Nr 36003114 and after)



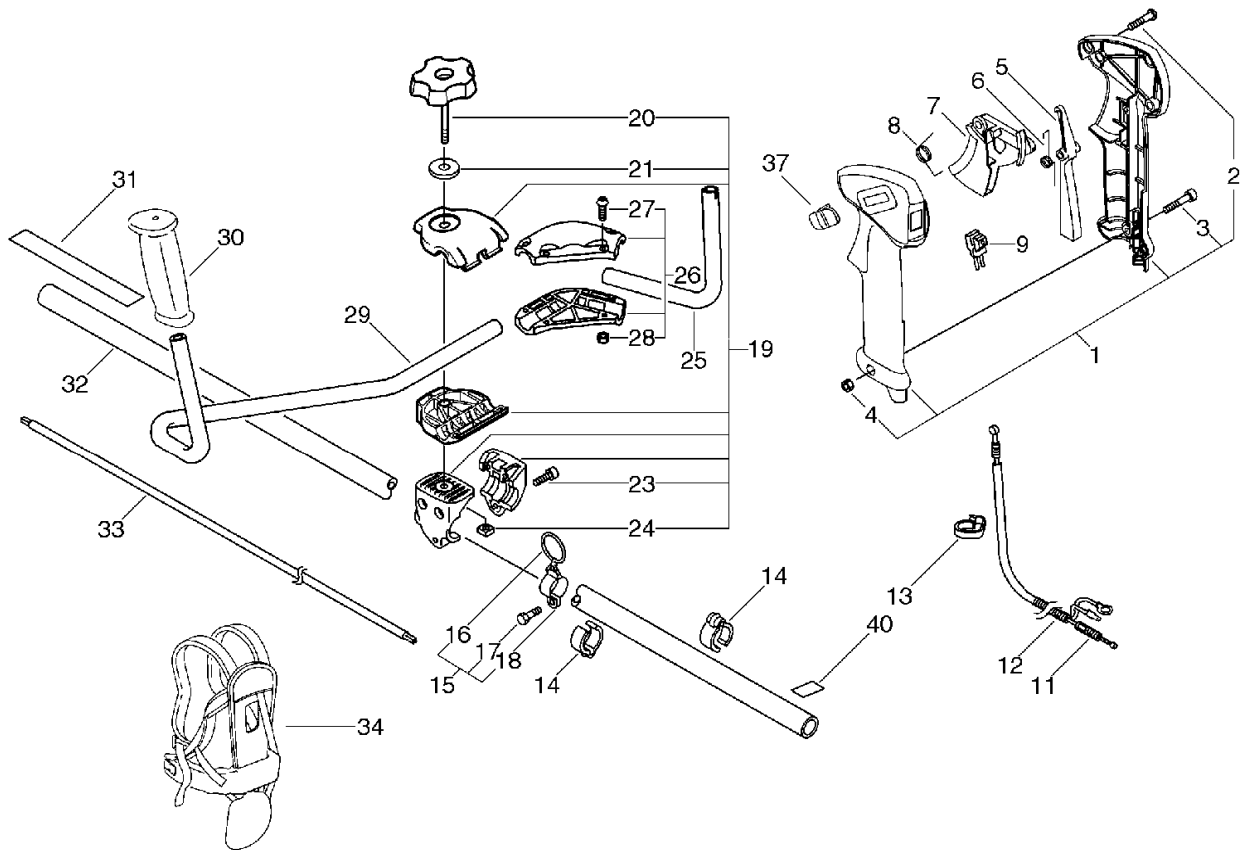
KEY	LV	PART NUMBER	Q'TY	DESCRIPTION	REMARKS	NOTE1	NOTE2
1		131300-56430	1	VALVE, CHECK			
2		130111-00530	1	CLIP	5.5		
3		V471-001210	1	PIPE	3*5*90 NBR		
4		132010-52030	1	PIPE	3*6*170 NBR		
5		437215-20760	1	PIPE 3*6*60	3*6*60 YL		
6		132115-55930	1	GROMMET, FUEL			
7		132013-26630	1	CLIP	6.5MM		
8		131205-14930	1	STRAINER, FUEL			
9		131920-55430	4	CUSHION, FUEL TANK			
10		131005-56931	1	TANK, FUEL			
11		91118-05012	2	BOLT	CM-5*12		
12		305110-55630	1	STAND			
13		131004-54930	1	CAP ASSY, FUEL TANK			
14	+	131016-55830	1	GASKET, FUEL CAP			
15	+	131051-52430	1	CONNECTOR, CAP	80L		
16		900239-05018	2	SCREW 5*18	5*18		
17		900518-00005	2	NUT, FLANGE 5	5		
18		437221-54930	4	CLIP			
19		132717-36030	1	PIPE 2*4*180	2*4*180		
20		132717-34630	1	PIPE, 2*4*100	2*4*100		
21		132115-50430	1	GROMMET, FUEL			
22		132013-50430	1	CLIP, PIPE			
23		436205-50430	1	STRAINER, OIL			
24		131315-05020	1	FILTER			
25		131314-06320	1	VALVE, CHECK			
26		436001-56530	1	CAP ASSY, OIL TANK			

7. Fuel Tank(Sr/Nr 36003114 and after)



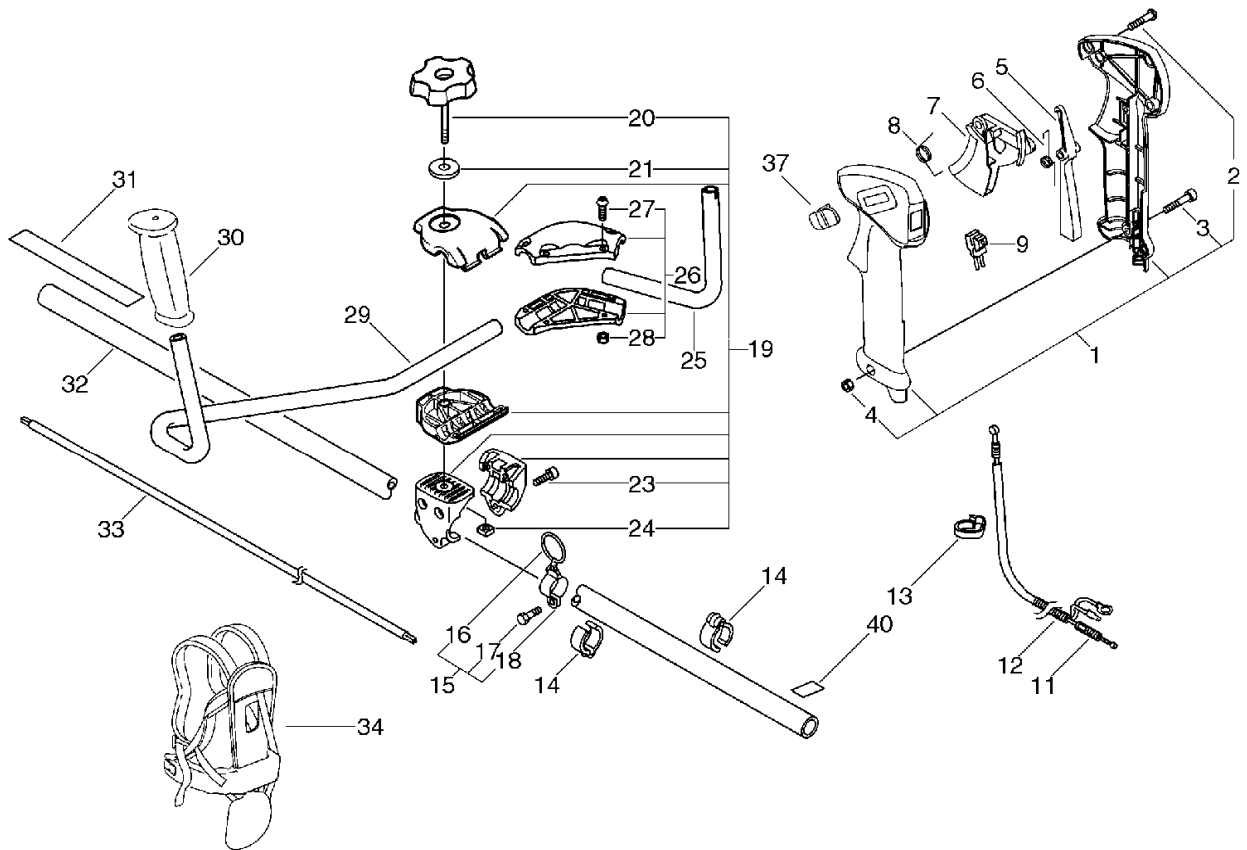
KEY	LV	PART NUMBER	Q'TY	DESCRIPTION	REMARKS	NOTE1	NOTE2
15	+	131051-52430	1	CONNECTOR, CAP	80L		
27	+	436012-37830	1	GASKET, CIRCULAR			
28		436010-56930	1	TANK, OIL			
29		131910-55430	1	BRACKET, FUEL TANK			
30		91118-05020	2	BOLT	CM-5*20		

8. U-Handle(Sr/Nr 36003113 and before)



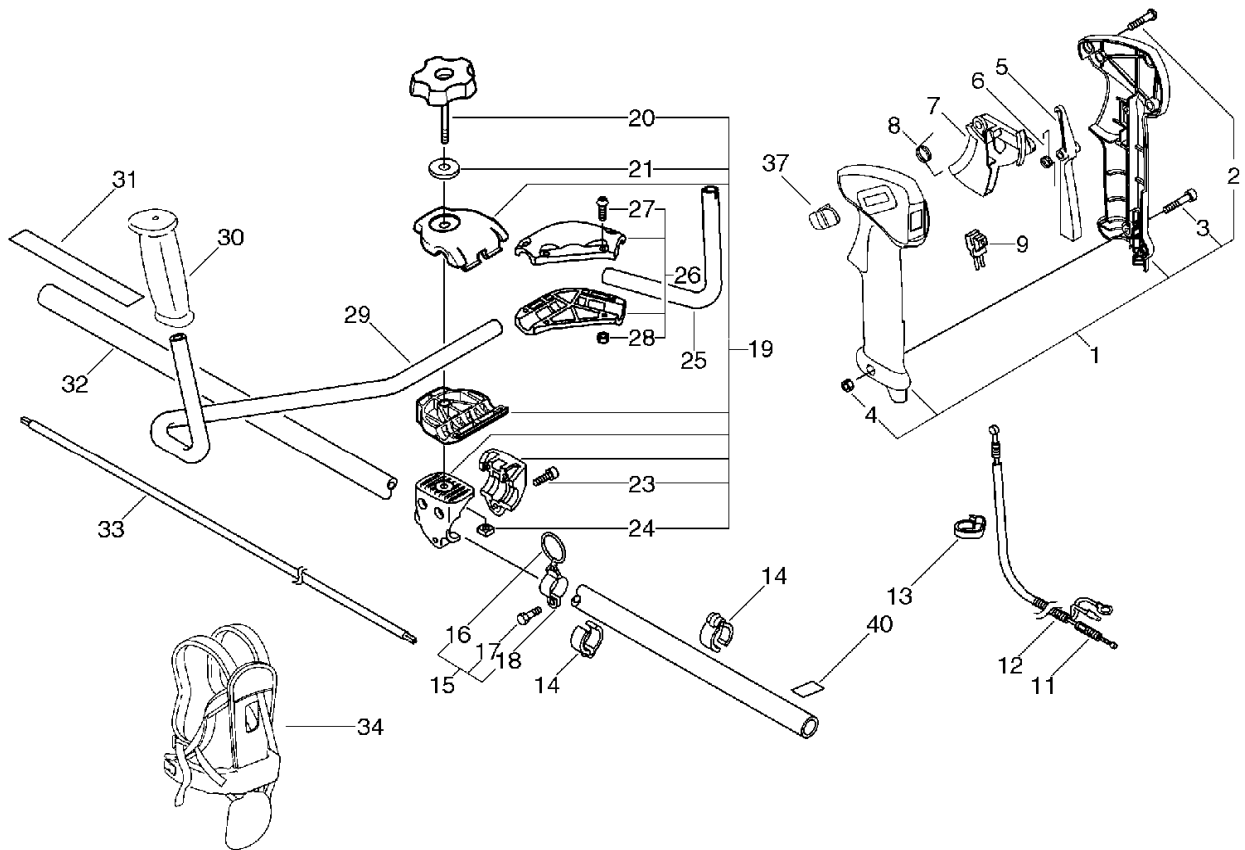
KEY	LV	PART NUMBER	Q'TY	DESCRIPTION	REMARKS	NOTE1	NOTE2
1		351102-47530	1	GRIP ASSY, F-HANDLE		Sr/Nr 003680 and before	
1		P021-002610	1	GRIP ASY,F-HANDLE		Sus. by P021-002612	
1		P021-002611	1	GRIP ASY,F-HANDLE		Sus. by P021-002612	
1		P021-002612	1	GRIP ASY,F-HANDLE		Sr/Nr 003681 and after	
2	+	900246-03025	4	SCREW 3*25	3*25	Sr/Nr 003680 and before	
2	+	900246-04016	3	SCREW 4*16	4*16	Sus. by 900253-04016	
2	+	900253-04016	3	SCREW 4*16	4*16	Sr/Nr 003681 and after	
3	+	900220-05030	1	SCREW 5*30	5*30		
4	+	900500-00005	1	NUT 5	5		
5		178012-05960	1	LOCKOUT, THROTTLE		Sr/Nr 003680 and before	
5		C460-000010	1	LOCKOUT,THROTTLE		Sus. by C460-000011	
5		C460-000011	1	LOCKOUT,THROTTLE		Sr/Nr 003681 and after	
6		178013-35631	1	SPRING, THR. LOCK		Sr/Nr 003680 and before	
6		V452-000050	1	SPRING,TORSION		Sr/Nr 003681 and after	

8. U-Handle(Sr/Nr 36003113 and before)



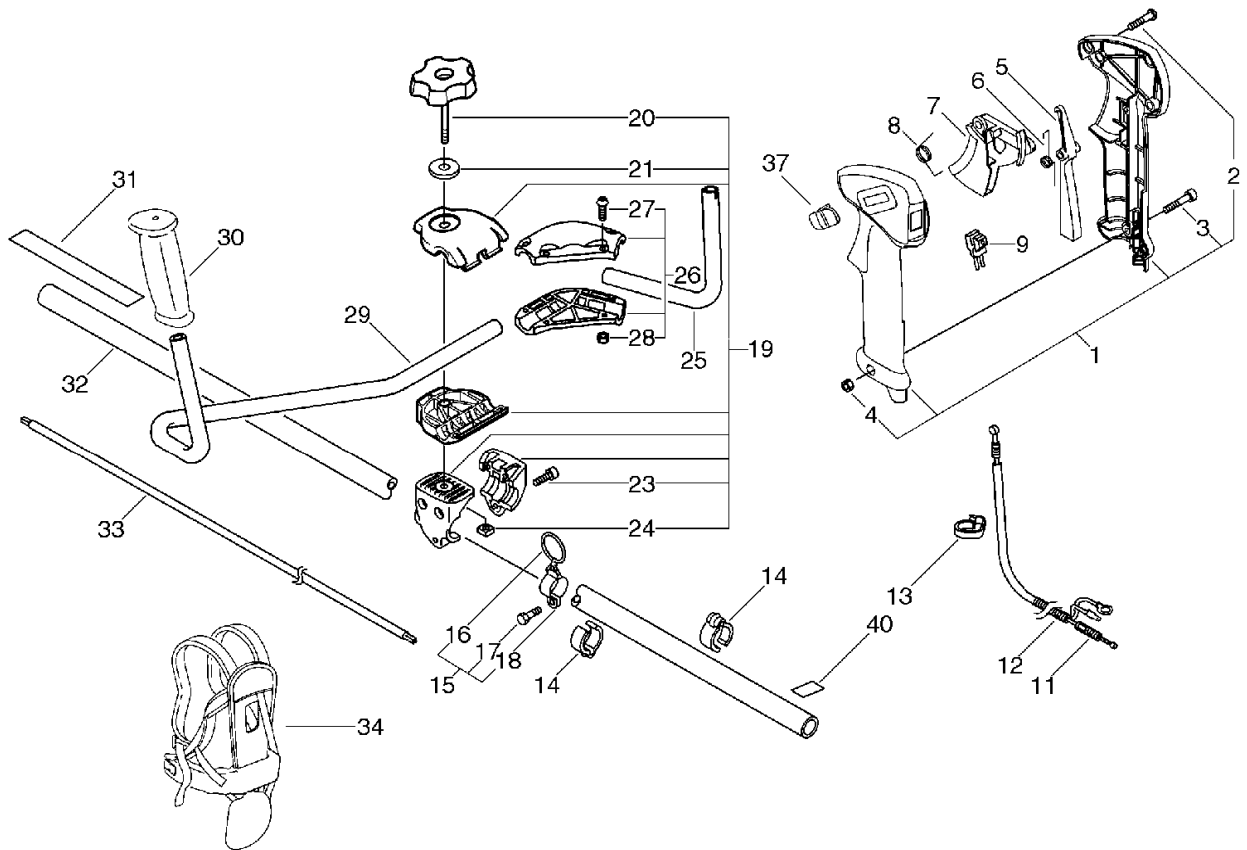
KEY	LV	PART NUMBER	Q'TY	DESCRIPTION	REMARKS	NOTE1	NOTE2
7		178010-05960	1	CONTROL, THROTTLE		Sr/Nr 003680 and before	
7		C450-000020	1	TRIGGER, THROTTLE		Sus. by C450-000022	
7		C450-000022	1	TRIGGER, THROTTLE		Sr/Nr 003681 and after	
8		V452-000060	1	SPRING, TORSION		Sr/Nr 003681 and after	
9		163400-50330	1	SWITCH, IGNITION			
11		178001-27230	1	WIRE, THROTTLE		Sr/Nr 003680 and before	
11		V430-000380	1	CABLE, BOWDEN		Sus. by V430-000381	
11		V430-000381	1	CABLE, BOWDEN		Sr/Nr 003681 and after	
12		162110-27230	1	TUBE	7*590	Sus. by V475-003740	
12		V475-003740	1	TUBE	7*570		
13		159112-09960	1	CLIP		Sus. by 159112-09961	
13		159112-09961	1	CLIP			
14		224924-52930	2	CLIP	28MM		
15		301200-05230	1	HOOK ASS'Y		Sus. by P021-012660	
16	+	301015-05330	1	HOOK, BAND			

8. U-Handle(Sr/Nr 36003113 and before)



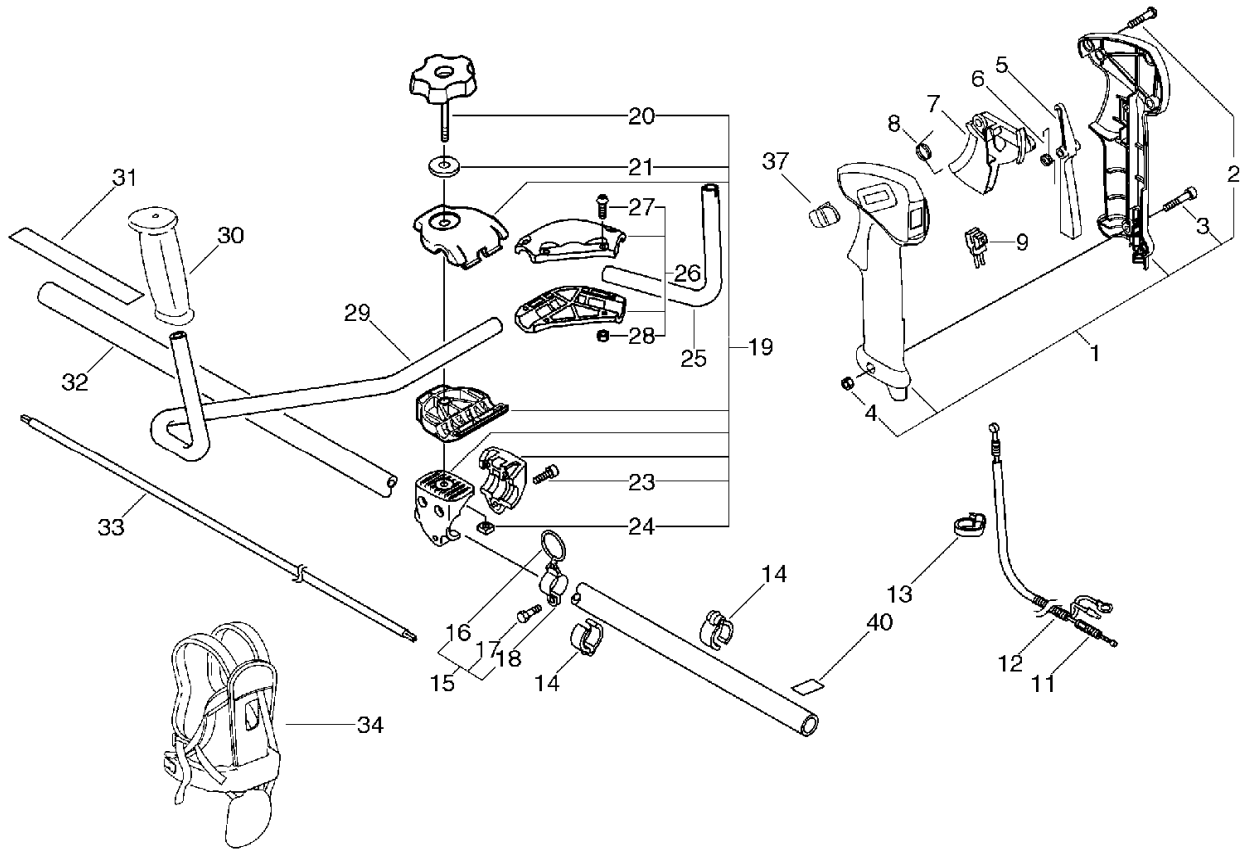
KEY	LV	PART NUMBER	Q'TY	DESCRIPTION	REMARKS	NOTE1	NOTE2
17	+	900105-05012	1	BOLT, H.S. 5*12	5*12	Sus. by 91119-05012	
18	+	301210-04630	1	HOOK			
19		351301-52930	1	BRACKET ASSY, HANDLE		Drive Shaft Sr/Nr 003679 and before	
19		P021-002760	1	BRACKET ASY, HANDLE		Sus. by P021-002761	
19		P021-002761	1	BRACKET ASY, HANDLE		Drive Shaft Sr/Nr 003680 and after Sus. by P021-012740	
20	+	351421-52130	1	BOLT		Drive Shaft Sr/Nr 003679 and before	
20	+	V299-000110	1	KNOB,FASTENER		Drive Shaft Sr/Nr 003680 and after	
21	+	605014-54230	1	WASHER			
22	+	900162-05020	2	BOLT, H.S. 5*20	5*20 W,SW	Drive Shaft Sr/Nr 003679 and before	
23	+	900162-05030	3	BOLT, H.S. 5*30	5*30 W,SW	Sus. by 91118-05030	
24	+	900565-50008	1	NUT	8*1.25		

8. U-Handle(Sr/Nr 36003113 and before)



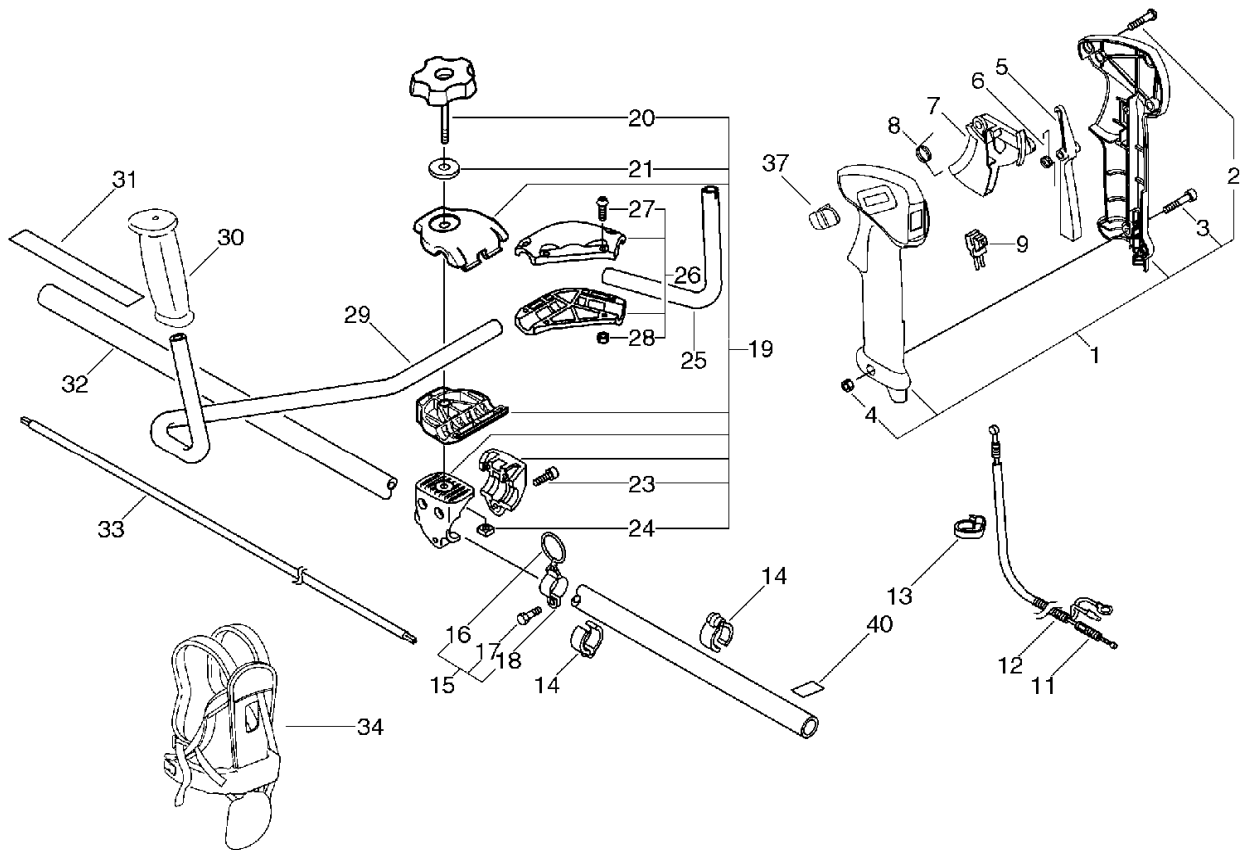
KEY	LV	PART NUMBER	Q'TY	DESCRIPTION	REMARKS	NOTE1	NOTE2
25		351214-52931	1	HANDLE			
26		351202-51430	1	BRACKET ASSY, HANDLE		Sus. by P021-012780	
26		P021-012780	1	FIXTURE,ASY HANDLE	SRM-4605	Sus. by P021-012781	
27	+	900162-05020	4	BOLT, H.S. 5*20	5*20 W,SW	Sus. by 91118-05020	
27	+	91118-05020	4	BOLT	CM-5*20	Sus. by 91118-05022	
28	+	900500-00005	4	NUT 5	5		
29		351010-52931	1	HANDLE, FRONT			
30		351311-22430	1	GRIP, HANDLE		Drive Shaft Sr/Nr 003679 and before	
30		C403-000030	1	GRIP,HANDLE		Sus. by C403-000031	
30		C403-000031	1	GRIP,HANDLE		Drive Shaft Sr/Nr 003680 and after	
31		890617-46830	1	LABEL, CAUTION		Sus. by 890617-43130	
31		890617-43130	1	LABEL,CAUTION			
32		610206-56930	1	HOUSING ASSY, D.SHFT			
33		610011-06230	1	SHAFT, DRIVE			
34		301001-56831	1	HARNES ASY,SHOULDER		Sus. by C062-000181	

8. U-Handle(Sr/Nr 36003113 and before)



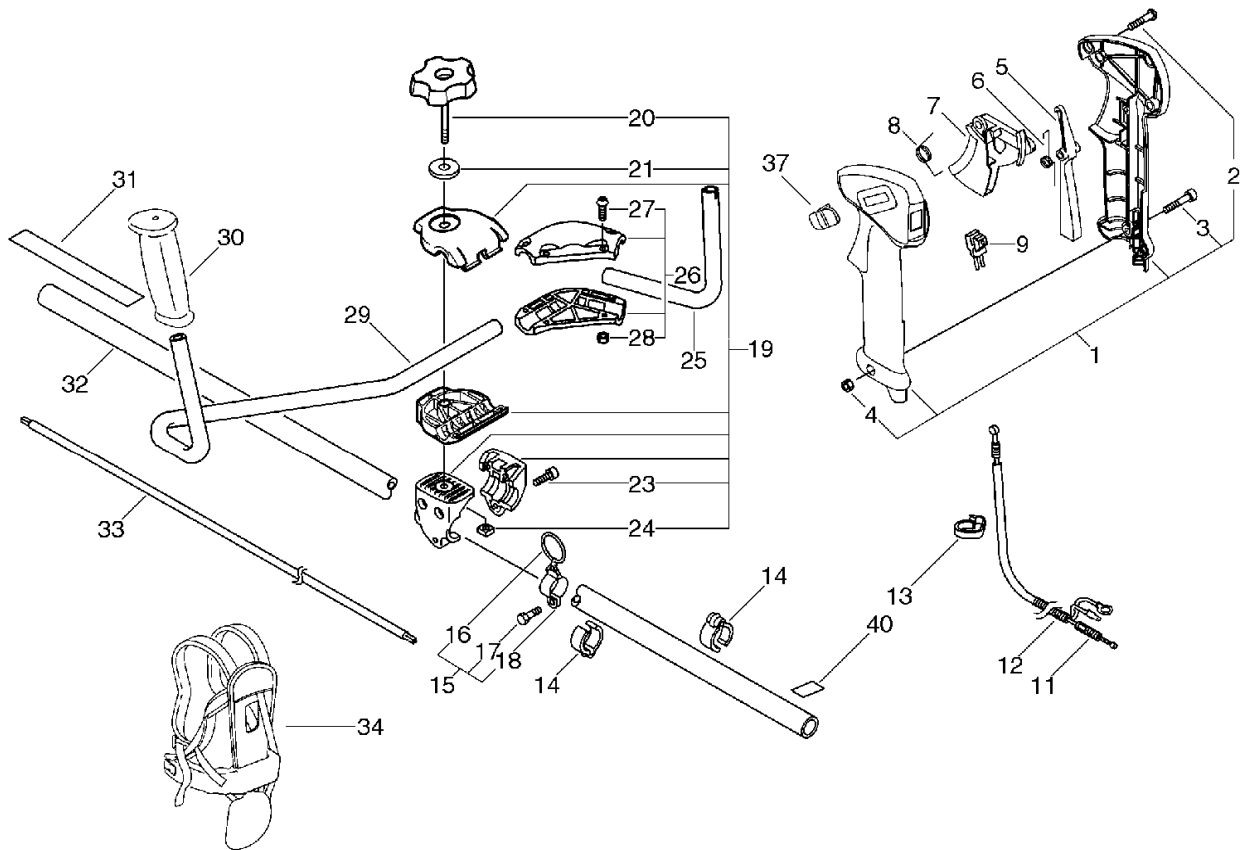
KEY	LV	PART NUMBER	Q'TY	DESCRIPTION	REMARKS	NOTE1	NOTE2
34		C062-000180	1	HARNES,SHOULDER	ECHO	Sus. by C062-000181	
34		C062-000181	1	HARNES,SHOULDER		Sus. by C062-000182	
35		890157-39130	1	LABEL, SWITCH		Sr/Nr 003680 and before	
40		890152-04930	1	LABEL, CAUTION			

9. U-Handle(Sr/Nr 36003114 and after)



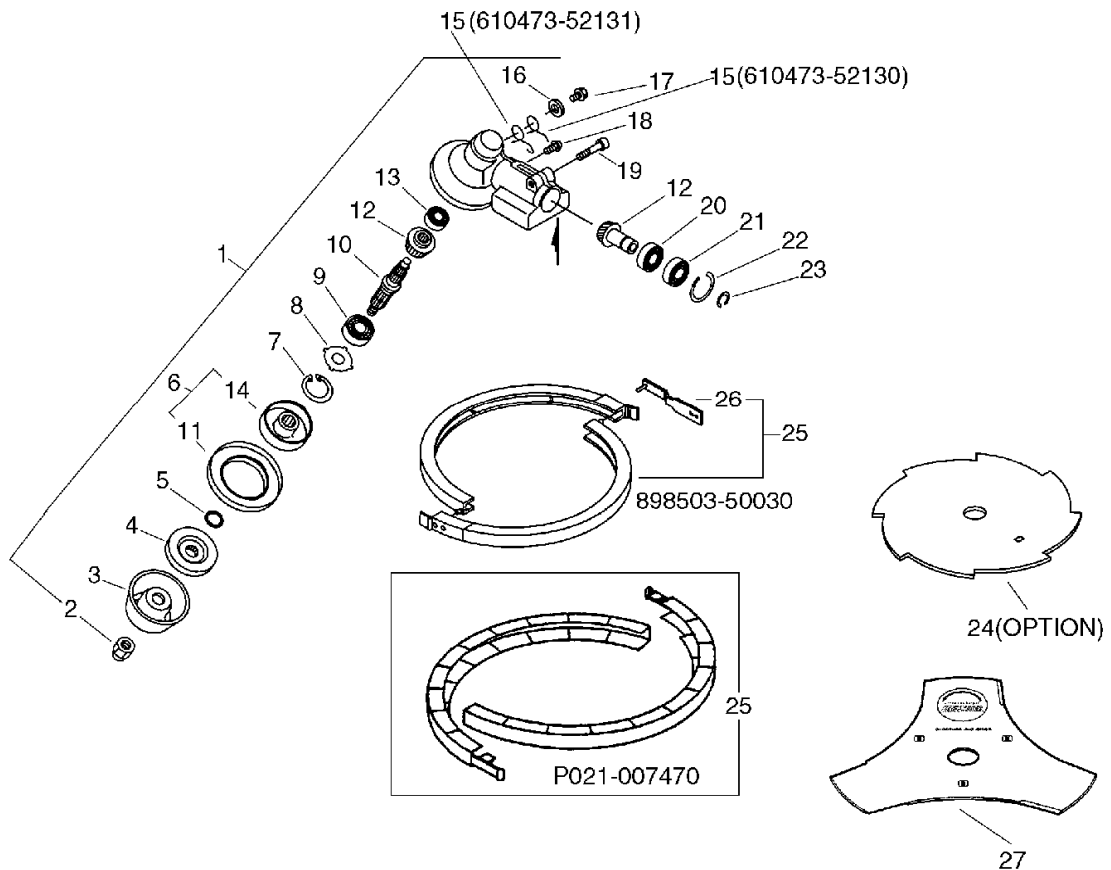
KEY	LV	PART NUMBER	Q'TY	DESCRIPTION	REMARKS	NOTE1	NOTE2
1		P021-002612	1	GRIP ASY,F-HANDLE			
2	+	900253-04016	3	SCREW 4*16	4*16		
3	+	900220-05030	1	SCREW 5*30	5*30		
4	+	900500-00005	1	NUT 5	5		
5		C460-000011	1	LOCKOUT,THROTTLE			
6		V452-000130	1	SPRING,TORSION			
7		C450-000022	1	TRIGGER,THROTTLE			
8		V452-000060	1	SPRING,TORSION			
9		163400-50330	1	SWITCH,IGNITION			
11		V430-000381	1	CABLE,BOWDEN			
12		V475-003740	1	TUBE	7*570		
13		159112-09961	1	CLIP			
14		224924-52930	2	CLIP	28MM		
15		P021-012660	1	HOOK ASY			
16	+	301015-05330	1	HOOK, BAND			
17	+	91119-05012	1	BOLT	CB-5*12		
18	+	301210-04630	1	HOOK			
19		P021-012740	1	BRACKET ASY, HANDLE			
20	+	V299-000110	1	KNOB,FASTENER			
21	+	605014-54230	1	WASHER			
23	+	91118-05030	3	BOLT			
24	+	900565-50008	1	NUT	8*1.25		
25		351214-52931	1	HANDLE			
26		P021-012780	1	FIXTURE,ASY HANDLE	SRM-4605		
27	+	91118-05020	4	BOLT	CM-5*20		
28	+	900500-00005	4	NUT 5	5		

9. U-Handle(Sr/Nr 36003114 and after)



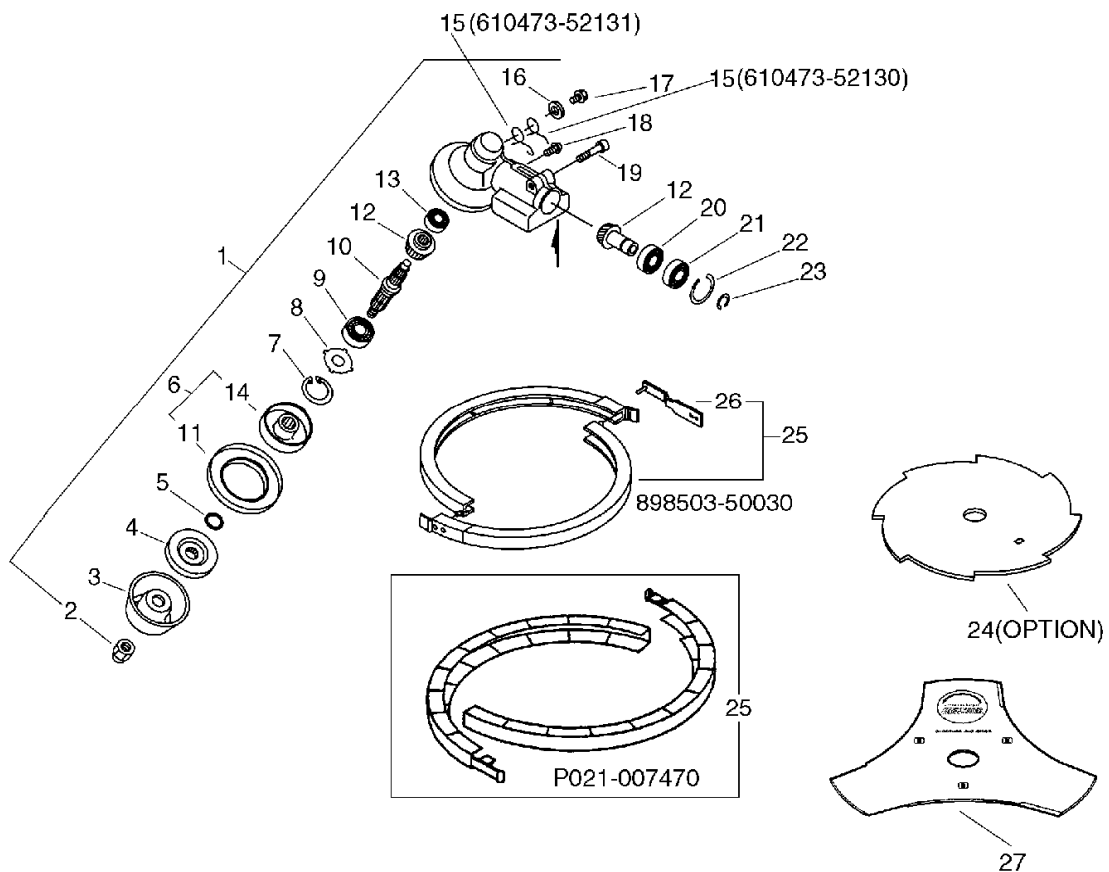
KEY	LV	PART NUMBER	Q'TY	DESCRIPTION	REMARKS	NOTE1	NOTE2
29		351010-52931	1	HANDLE, FRONT			
30		C403-000031	1	GRIP,HANDLE			
31		890617-43130	1	LABEL, CAUTION			
32		610206-56930	1	HOUSING ASSY, D.SHFT			
33		610011-06230	1	SHAFT, DRIVE			
34		C062-000181	1	HARNESS, SHOULDER		Sus. by C062-000182	
34		C062-000182	1	HARNESS, SHOULDER			
37		C463-000000	1	KNOB, LATCH			
40		890152-04930	1	LABEL, CAUTION			

10. Gear Case(U-Handle Type), Blade



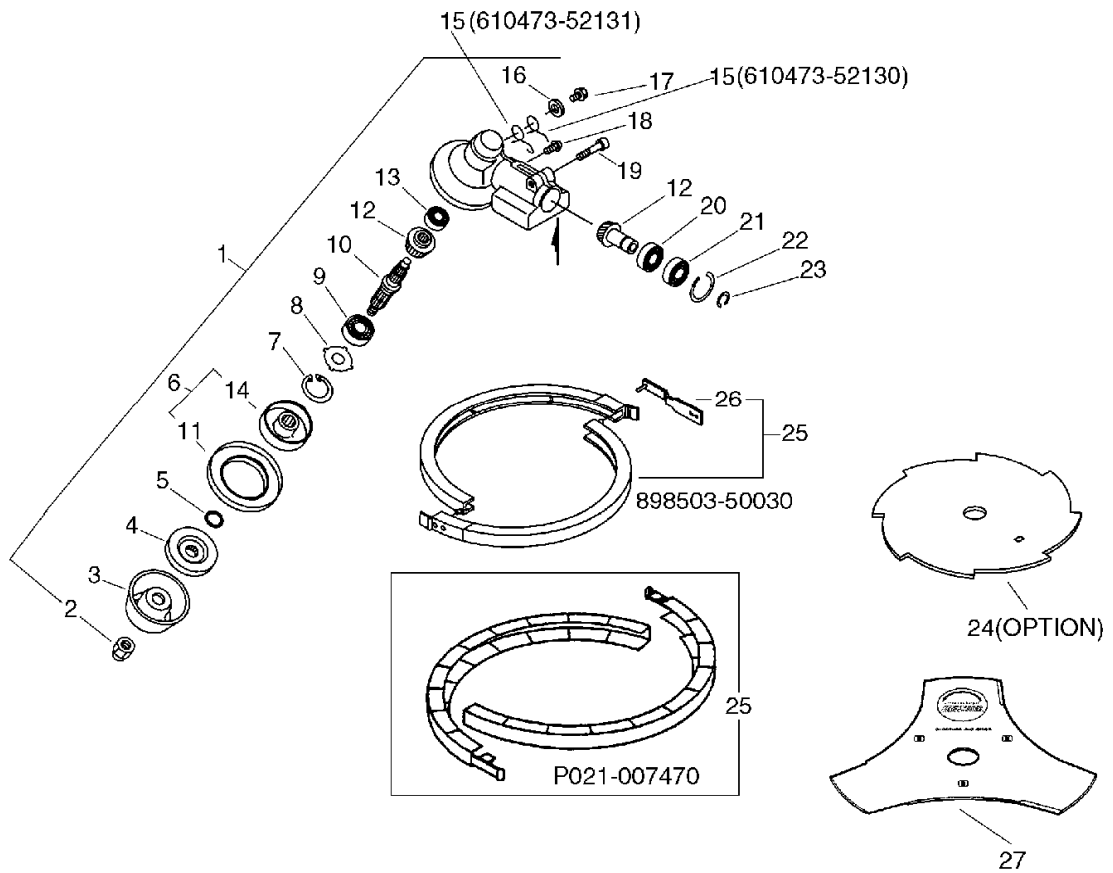
KEY	LV	PART NUMBER	Q'TY	DESCRIPTION	REMARKS	NOTE1	NOTE2
1		610400-56930	1	HOUSING ASSY, GEAR		Sus. by 610400-56932	
1		610400-56931	1	CASE ASY, GEAR		Sus. by 610400-56932	
1		610400-56932	1	CASE ASY, GEAR		Sus. by P021-012590	
2	+	610320-52130	1	NUT 10			
3	+	699229-56830	1	PLATE, COVER			
4	+	610314-52130	1	PLATE, ADAPTER (L)			
5	+	900720-00012	1	O-RING 12	P-12		
6	+	610313-52930	1	PLATE, ADAPTER (U)		Sus. by C535-000001	
6	+	C535-000000	1	FIXTURE, BLADE		Sus. by C535-000001	
6	+	C535-000001	1	FIXTURE, BLADE			
11	++	610352-56830	1	PLATE, CUP			
14	++	C535-000010	1	FIXTURE, BLADE		Sus. by C535-000011	
14	++	C535-000011	1	FIXTURE, BLADE			
7	+	900702-00032	1	CIRCLIP 32	CR-32		
8	+	610444-56830	1	WASHER			
9	+	900812-06201	1	BEARING, BALL 6201	6201DDU(LLU)		
10	+	610310-56930	1	SHAFT, P.T.O.		Sus. by 610310-56931	
12	+	610300-56930	1	GEAR SET			
13	+	900810-00629	1	BEARING, BALL 629	629		

10. Gear Case(U-Handle Type), Blade



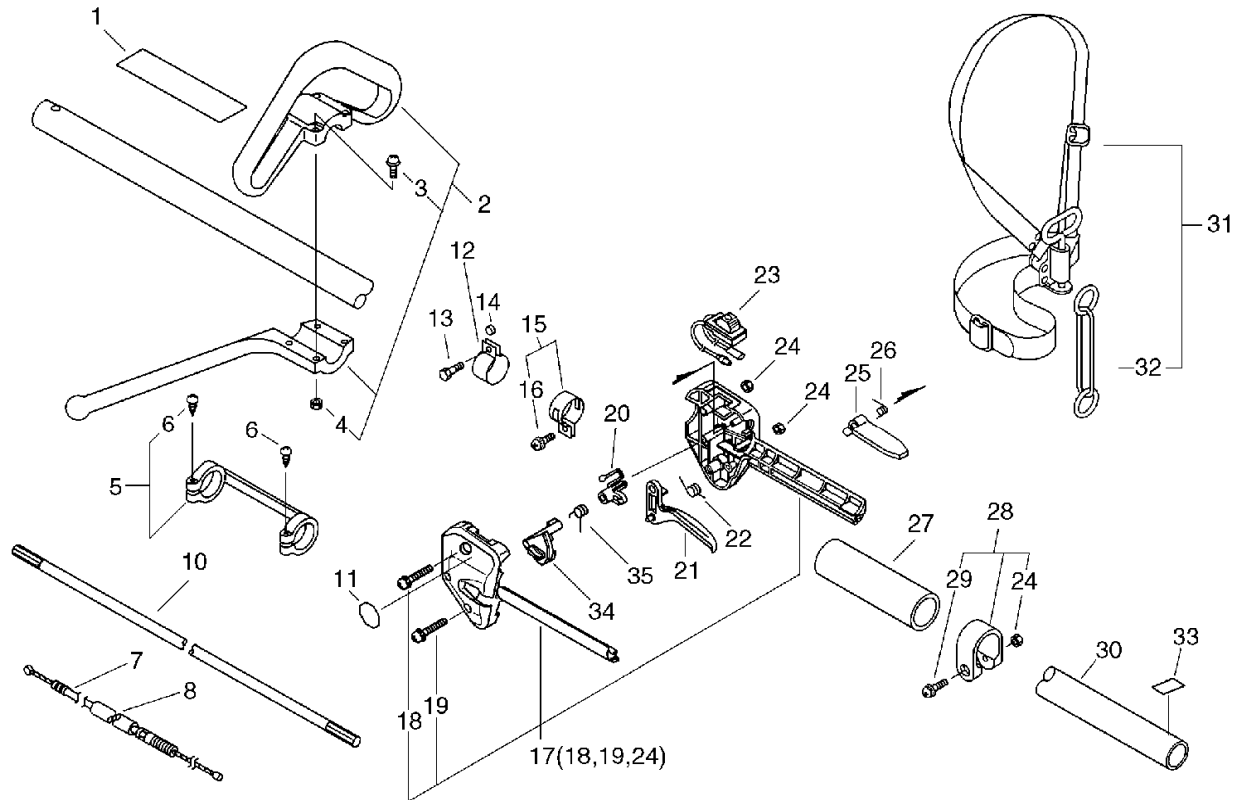
KEY	LV	PART NUMBER	Q'TY	DESCRIPTION	REMARKS	NOTE1	NOTE2
15	+	610473-52130	1	SPRING, TORSION		Drive Shaft Sr/Nr 001820 and before	
15	+	610473-52131	1	SPRING		Drive Shaft Sr/Nr 001821 and after	
16	+	900603-50008	1	WASHER	8.5*18*0.8T		
17	+	610434-50030	1	BOLT 8* 6		Sus. by 610434- 50031	
17	+	610434-50031	1	BOLT 8* 8	M8*8		
18	+	900242-05010	1	SCREW 5*10	5*10		
19	+	900162-06030	1	BOLT, H.S. 6*30	6*30W, SW		
20	+	900800-06001	1	BEARING, BALL 6001	6001		
21	+	900807-06001	1	BEARING, BALL 6001	6001V(LB)	Drive Shaft Sr/Nr 001820 and before	
21	+	900803-06001	1	BEARING, BALL 6001	6001Z	Drive Shaft Sr/Nr 001821 and after	
22	+	900702-00028	1	CIRCLIP 28	CR-28		
23	+	900701-00012	1	CIRCLIP 12	CS-12		
24		696001-55630	1	BLADE, 8-CUTTER 10IN		Sus. by 696001- 55631	
24		696001-55631	1	BLADE, 8-CUTTER 10IN	255*8T*1.4 PD25	OPTION	

10. Gear Case(U-Handle Type), Blade



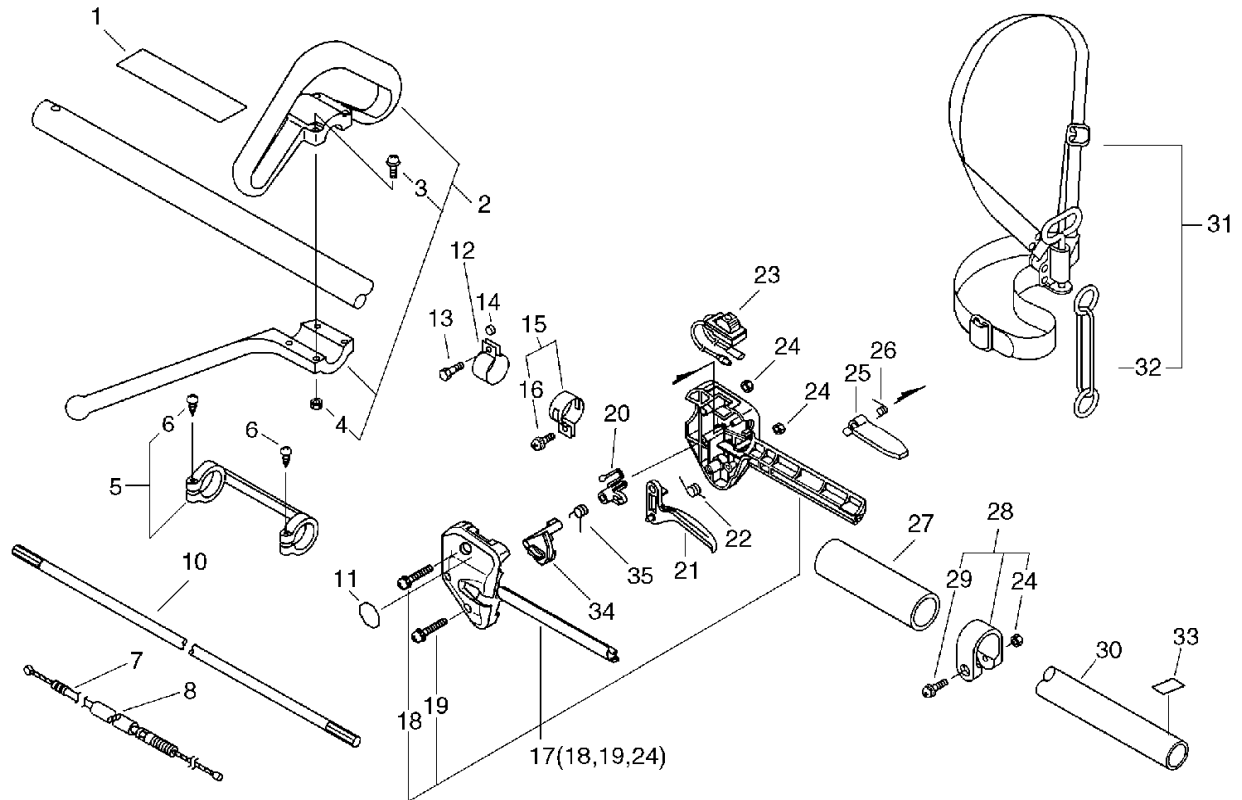
KEY	LV	PART NUMBER	Q'TY	DESCRIPTION	REMARKS	NOTE1	NOTE2
25		898503-50030	1	SCABBARD KIT, BLADE		Sus. by P021-007470	
25		P021-007470	1	SCABBARD, BLADE			
26	+	898562-43230	1	FIXTURE, SCABBARD		Can be used on 898503-50030 only	
27		X405-000000	1	SAW, BUSH CUTTER	3*255*25.4*T2.0	Sus. by X405-000001	
27		X405-000001	1	SAW, BUSH CUTTER	3*255*25.4*T2.0		

11. Loop Handle



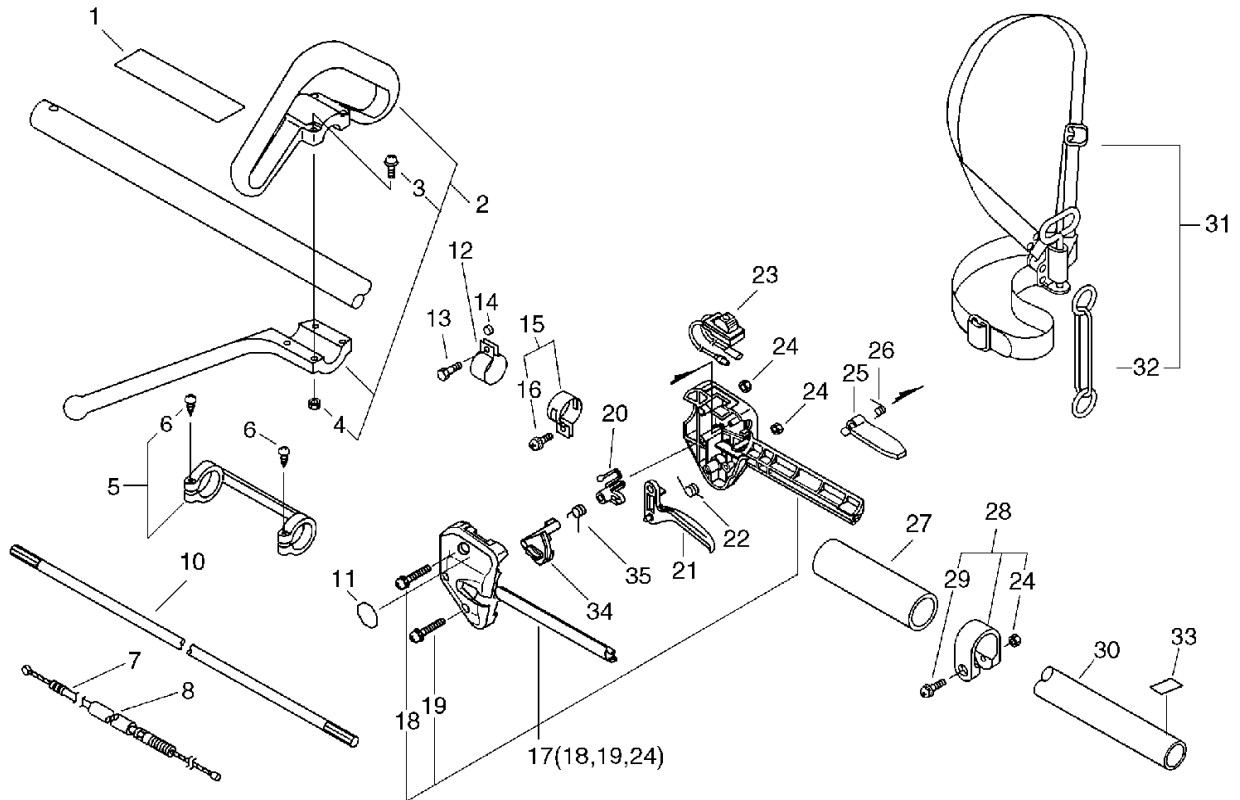
KEY	LV	PART NUMBER	Q'TY	DESCRIPTION	REMARKS	NOTE1	NOTE2
1		890177-46730	1	LABEL, CAUTION		Sus. by 890617-43130	
1		890617-63630	1	LABEL, CAUTION		Sus. by 890617-43130	
1		X505-000140	1	LABEL, CAUTION		Sus. by 890617-43130	
1		890617-43130	1	LABEL, CAUTION			
2		351201-55630	1	HANDLE ASSY, LOOP			
3	+	900242-05035	4	SCREW 5*35	5*35		
4	+	900500-00005	4	NUT 5	5		
5		610281-42230	1	COLLER			
6	+	900253-04025	2	SCREW 4*25	4*25		
7		178002-24430	1	WIRE, THROTTLE		Sus. by 178002-64730	
7		178002-64730	1	CABLE, THROTTLE			
8		178127-55931	1	TUBE	10*11*50		
10		610011-06230	1	SHAFT, DRIVE			
11		890157-39130	1	LABEL, SWITCH		Drive Shaft Sr/Nr 005809 and before	
12		301207-07530	1	HOOK			
13		900100-05018	1	BOLT 5*18	5*18		
14		699012-03330	1	SPACER			
15		301200-42230	1	HOOK ASSY			
16	+	900242-05014	1	SCREW 5*14	5*14		

11. Loop Handle



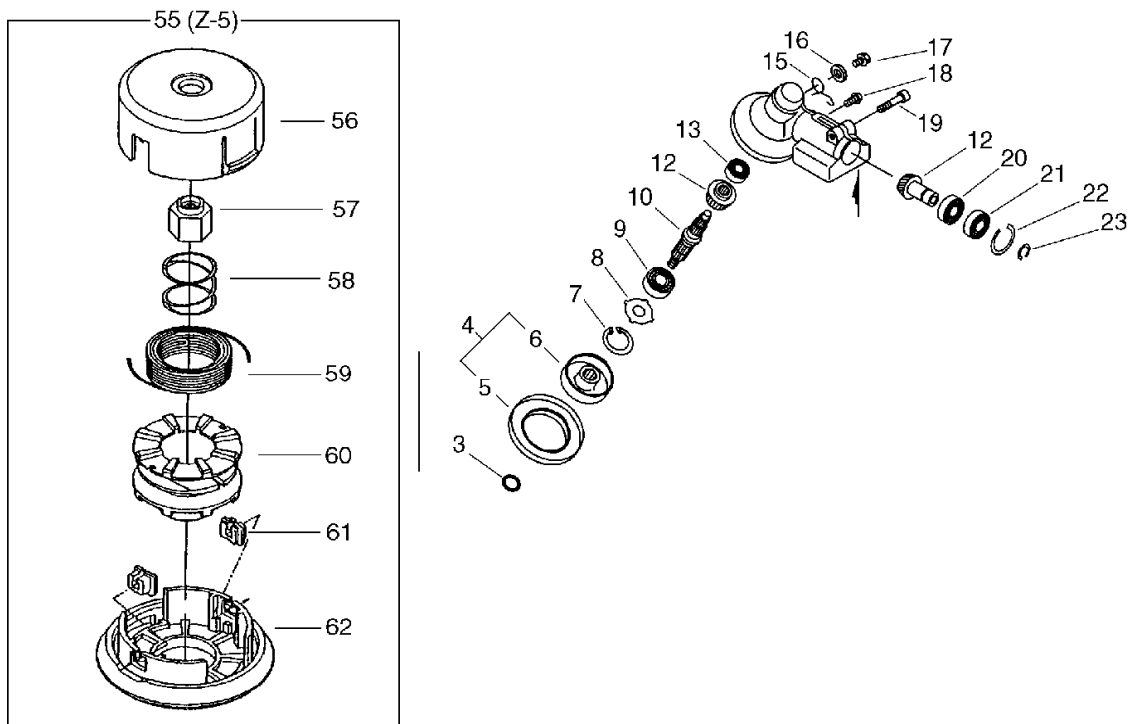
KEY	LV	PART NUMBER	Q'TY	DESCRIPTION	REMARKS	NOTE1	NOTE2
17		178003-51830	1	BRACKET SET,THROTTLE		Sus. by P021-005890	
17		P021-005890	1	BRACKET SET,THROTTLE			
18	+	900242-05035	1	SCREW 5*35	5*35		
19	+	900242-05025	1	SCREW 5*25	5*25		
24	+	900500-00005	2	NUT 5	5		
20		178012-52630	1	LOCKOUT, THROTTLE		Drive Shaft Sr/Nr 005809 and before	
20		C461-000000	1	LATCH,THROTTLE		Drive Shaft Sr/Nr 005810 and after	
21		178010-52130	1	CONTROL, THROTTLE		Drive Shaft Sr/Nr 005809 and before	
21		V450-000110	1	SPRING,COMPRESSION		Drive Shaft Sr/Nr 005810 and after	
22		178043-42230	1	SPRING, THR. RETURN			
23		163400-49930	1	SWITCH, IGNITION			
25		178090-52630	1	LOCKOUT, T. CONTROL		Sus. by 178090-52632	
25		178090-52631	1	LOCKOUT, T. CONTROL		Sus. by 178090-52632	
25		178090-52632	1	LOCKOUT, T. CONTROL			
26		178013-52630	1	SPRING, THR. LOCK			

11. Loop Handle



KEY	LV	PART NUMBER	Q'TY	DESCRIPTION	REMARKS	NOTE1	NOTE2
27		351213-51830	1	GRIP, FRONT HANDLE			
28		610272-51830	1	BAND			
24	+	900500-00005	1	NUT 5	5		
29	+	900242-05028	1	SCREW 5*28	5*28		
30		610206-56930	1	HOUSING ASSY, D.SHFT			
31		301000-55230	1	HARNESS ASSY		Sus. by 301000-55231	
31		301000-55231	1	HARNESS ASY, SHOULDER			
32	+	301305-24330	1	LINK			
33		890152-04930	1	LABEL, CAUTION			
34		C461-000010	1	LATCH, THROTTLE		Can be used P021-005890 only	
35		V452-000120	1	SPRING, TORSION		Can be used P021-005890 only	

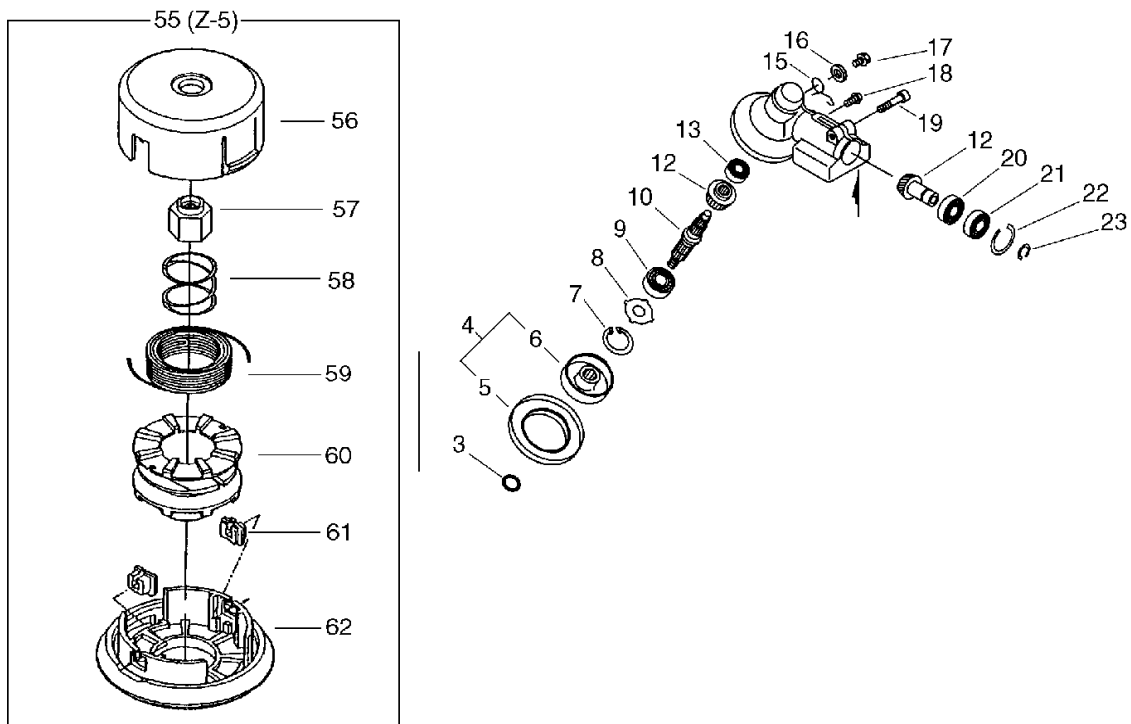
12. Gear Case(Loop Handle Type), Nylon Line Cutting Head(Sr/Nr 3



KEY	LV	PART NUMBER	Q'TY	DESCRIPTION	REMARKS	NOTE1	NOTE2
3		900720-00012	1	O-RING 12	P-12		
4		610313-52930	1	PLATE, ADAPTER (U)		Sus. by C535-000001	
4		C535-000000	1	FIXTURE, BLADE		Sus. by C535-000001	
4		C535-000001	1	FIXTURE, BLADE			
5	+	610352-56830	1	PLATE, CUP			
6	+	C535-000010	1	FIXTURE, BLADE		Sus. by C535-000011	
6	+	C535-000011	1	FIXTURE, BLADE			
7		900702-00032	1	CIRCLIP 32	CR-32		
8		610444-56830	1	WASHER			
9		900812-06201	1	BEARING, BALL 6201	6201DDU(LLU)		
10		610310-56930	1	SHAFT, P.T.O.			
12		610300-56930	1	GEAR SET			
13		900810-00629	1	BEARING, BALL 629	629		
15		610473-52130	1	SPRING, TORSION		Drive Shaft Sr/Nr 001820 and before	
15		610473-52131	1	SPRING		Drive Shaft Sr/Nr 001821 and after	
16		900603-50008	1	WASHER	8.5*18*0.8T		
17		610434-50030	1	BOLT 8*6		Sus. by 610434-50031	
17		610434-50031	1	BOLT 8*8	M8*8		



12. Gear Case(Loop Handle Type), Nylon Line Cutting Head(Sr/Nr 3

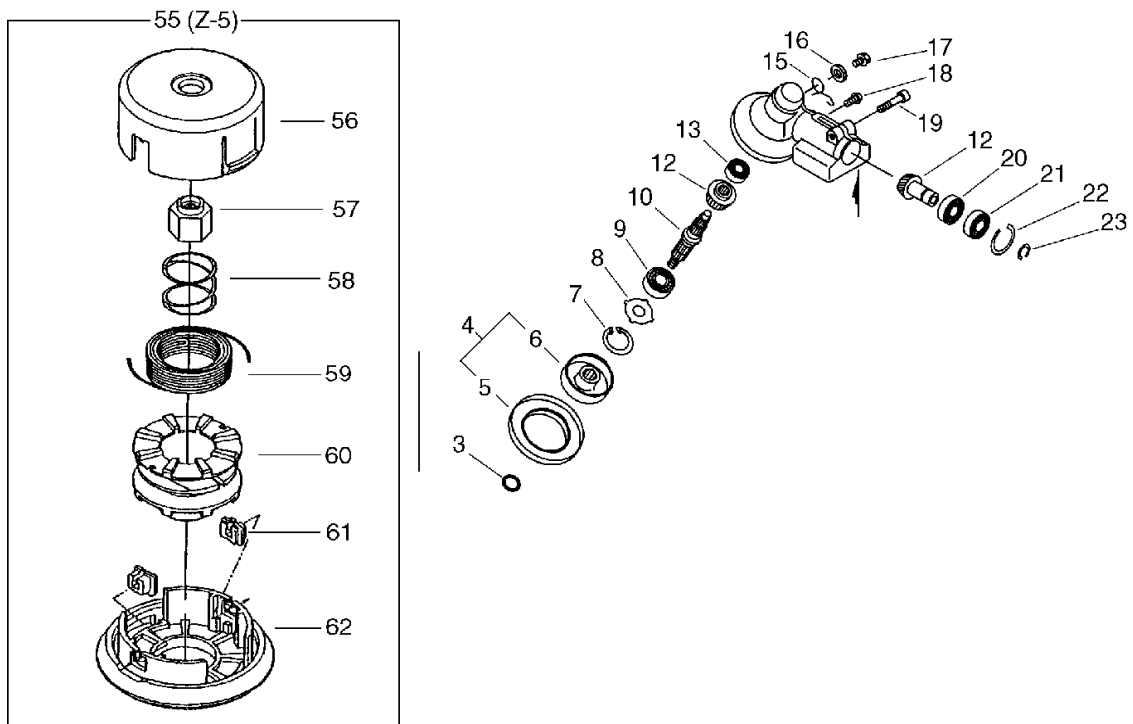


KEY	LV	PART NUMBER	Q'TY	DESCRIPTION	REMARKS	NOTE1	NOTE2
18		900242-05010	1	SCREW 5*10	5*10		
19		900162-06030	1	BOLT, H.S. 6*30	6*30W, SW	Sus. by 91118-06030	
20		900800-06001	1	BEARING, BALL 6001	6001		
21		900807-06001	1	BEARING, BALL 6001	6001V(LB)	Drive Shaft Sr/Nr 001820 and before	
21		900803-06001	1	BEARING, BALL 6001	6001Z	Drive Shaft Sr/Nr 001821 and after	
22		900702-00028	1	CIRCLIP 28	CR-28		
23		900701-00012	1	CIRCLIP 12	CS-12		
40		890617-46730	1	LABEL, CAUTION		Drive Shaft Sr/Nr 003679 and before	
41		696210-56930	1	DRUM, REEL		Drive Shaft Sr/Nr 003679 and before	
42		696214-06830	1	REEL, CORD		Drive Shaft Sr/Nr 003679 and before	
43		696212-06032	2	EYELET		Drive Shaft Sr/Nr 003679 and before	

6003113 and before)



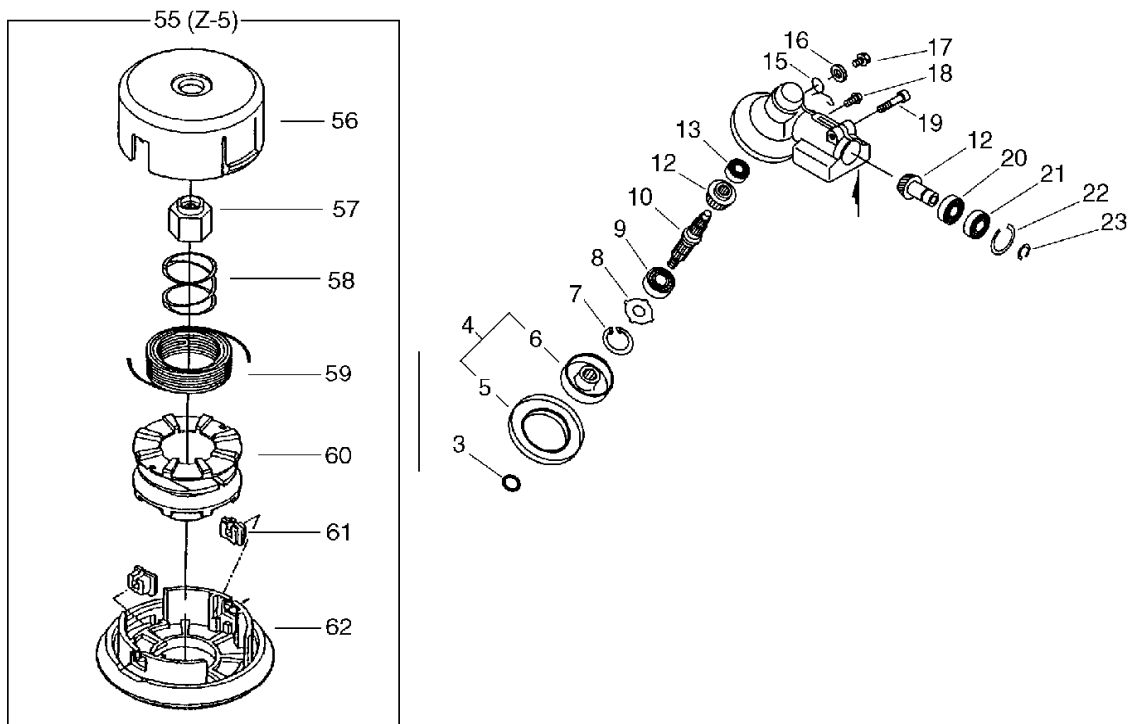
12. Gear Case(Loop Handle Type), Nylon Line Cutting Head(Sr/Nr 3



KEY	LV	PART NUMBER	Q'TY	DESCRIPTION	REMARKS	NOTE1	NOTE2
44		696215-22830	2	CORD, NYLON(2.4*2.5)			Drive Shaft Sr/Nr 003679 and before
46		696216-06030	1	SPRING			Drive Shaft Sr/Nr 003679 and before
47		696206-28232	1	COVER, DRUM (BL)			Drive Shaft Sr/Nr 003679 and before
48		696219-28231	1	NUT (BL)			Drive Shaft Sr/Nr 003679 and before
49		696220-06030	1	STOPPER, NUT			Drive Shaft Sr/Nr 003679 and before
50		900220-06010	1	SCREW 6*10	6*10		Drive Shaft Sr/Nr 003679 and before
40		X047-000070	1	CUTTER,ASM LINE	DS-5/10		Sus. by X047- 000330
40		X047-000220	1	CUTTER,ASM LINE	DS-5 M10L		Sus. by X047- 000330
41	+	V332-000000	1	WASHER,CIRCULAR 24			Drive Shaft Sr/Nr 003680 and after



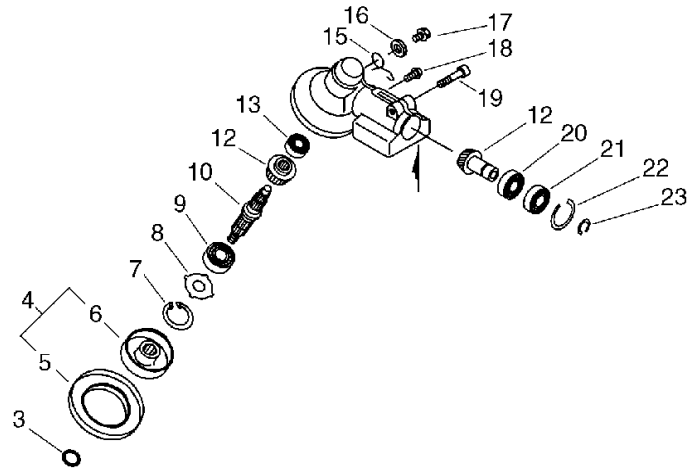
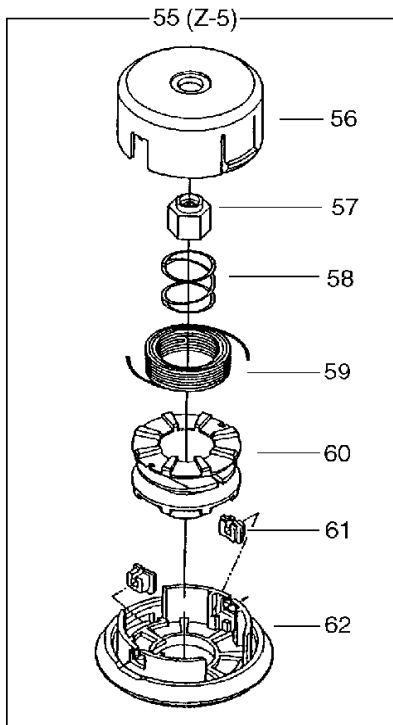
12. Gear Case(Loop Handle Type), Nylon Line Cutting Head(Sr/Nr 3



KEY	LV	PART NUMBER	Q'TY	DESCRIPTION	REMARKS	NOTE1	NOTE2
42	+	P022-000710	2	EYELET	T4	Drive Shaft Sr/Nr 003680 and after	
43	+	X470-000000	1	DRUM,REEL		Sus. by P022- 005040	
43	+	P022-005040	1	HOUSING		Drive Shaft Sr/Nr 003680 and after	
44	+	P022-001160	1	NUT		Drive Shaft Sr/Nr 003680 and after	
45	+	P022-001200	1	SPRING	DS-5/10	Drive Shaft Sr/Nr 003680 and after	
46	+	P022-001310	1	TAP KNOB	DS-5/10	Drive Shaft Sr/Nr 003680 and after	
47	+	P022-001180	1	BOBBIN	DS-5/10	Drive Shaft Sr/Nr 003680 and after	
48	+	P022-000730	1	NYLON CODE	2.4*3M B4-K	Sus. by P022- 006200	
48	+	P022-006200	1	NYLON CODE	3.0*3M	Drive Shaft Sr/Nr 003680 and after	



12. Gear Case(Loop Handle Type), Nylon Line Cutting Head(Sr/Nr 3

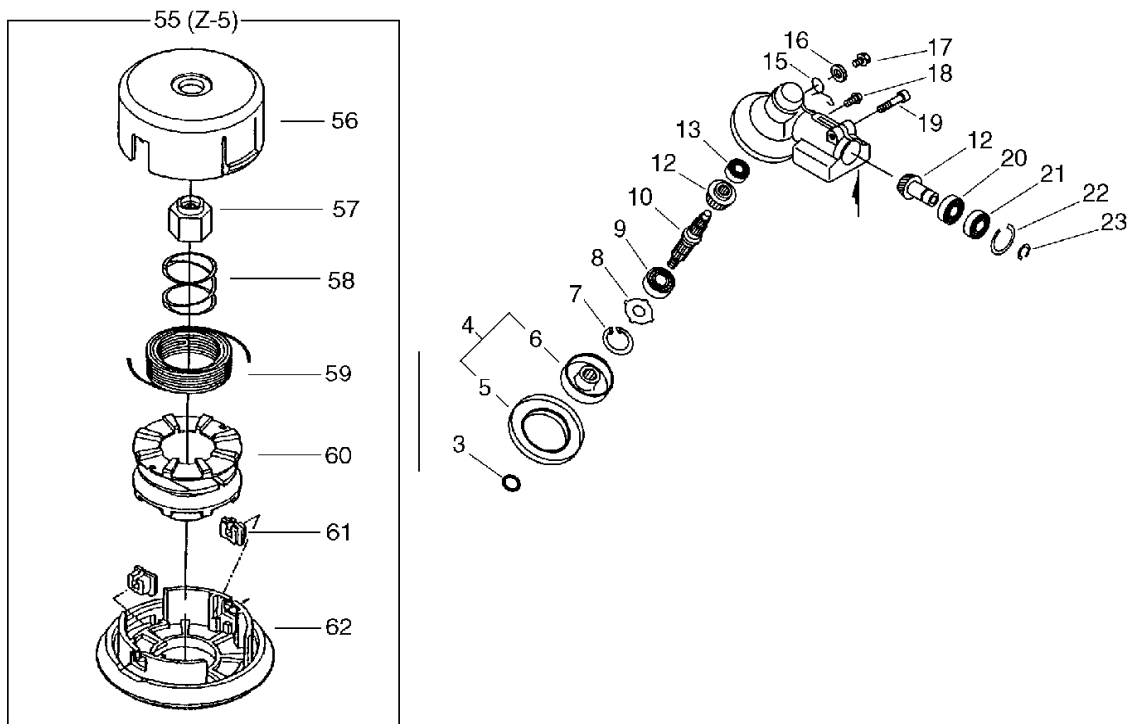


KEY	LV	PART NUMBER	Q'TY	DESCRIPTION	REMARKS	NOTE1	NOTE2
49	+	P022-001190	1	COVER	DS-5/10	Sus. by P022-005030	
49	+	P022-005030	1	COVER		Drive Shaft Sr/Nr 003680 and after	
55		X047-000330	1	CUTTER,ASM LINE	Z-5 M10 L	Sus. by X047-000331	
56	+	P022-010420	1	HOUSING			
57	+	P022-010390	1	NUT			
58	+	P022-010370	1	SPRING			
59	+	P022-010380	1	NYLON CODE			
60	+	P022-010400	1	BOBBIN			
61	+	P022-000710	2	EYELET	T4		
62	+	P022-010410	1	COVER			

6003113 and before)



13. Gear Case(Loop Handle Type), Nylon Line Cutting Head(Sr/Nr 3)

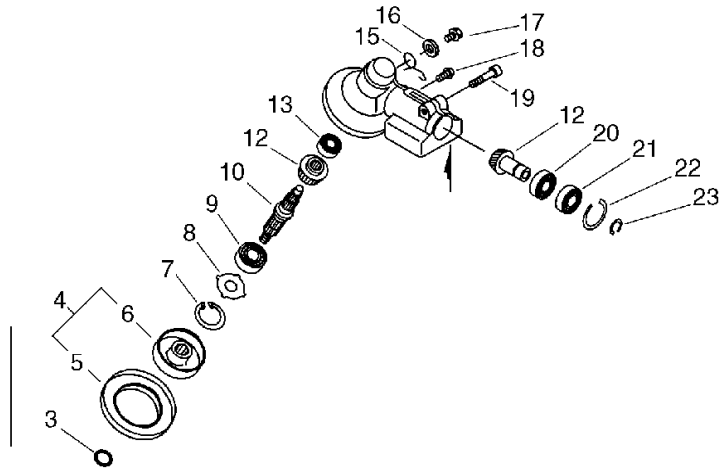
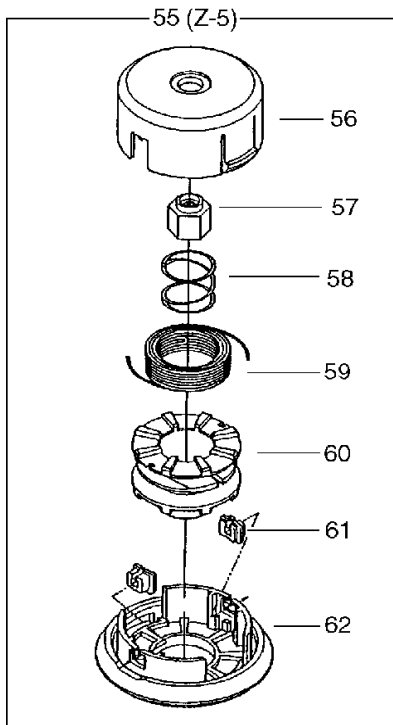


KEY	LV	PART NUMBER	Q'TY	DESCRIPTION	REMARKS	NOTE1	NOTE2
3		900720-00012	1	O-RING 12	P-12		
4		C535-000001	1	FIXTURE, BLADE			
5	+	610352-56830	1	PLATE, CUP			
6	+	C535-000011	1	FIXTURE, BLADE			
7		900702-00032	1	CIRCLIP 32	CR-32		
8		610444-56830	1	WASHER			
9		900812-06201	1	BEARING, BALL 6201	6201DDU(LLU)		
10		610310-56930	1	SHAFT, P.T.O.			
12		610300-56930	1	GEAR SET			
13		900810-00629	1	BEARING, BALL 629	629		
15		610473-52131	1	SPRING			
16		900603-50008	1	WASHER	8.5*18*0.8T		
17		610434-50031	1	BOLT 8*8	M8*8		
18		900242-05010	1	SCREW 5*10	5*10		
19		91118-06030	1	BOLT	CM-6*30		
20		900800-06001	1	BEARING, BALL 6001	6001		
21		900803-06001	1	BEARING, BALL 6001	6001Z		
22		900702-00028	1	CIRCLIP 28	CR-28		
23		900701-00012	1	CIRCLIP 12	CS-12		
55		X047-000330	1	CUTTER, ASM LINE	Z-5 M10 L		
56	+	P022-010420	1	HOUSING			
57	+	P022-010390	1	NUT			
58	+	P022-010370	1	SPRING			
59	+	P022-010380	1	NYLON CODE			
60	+	P022-010400	1	BOBBIN			
61	+	P022-000710	2	EYELET	T4		

6003114 and after)



13. Gear Case(Loop Handle Type), Nylon Line Cutting Head(Sr/Nr 3



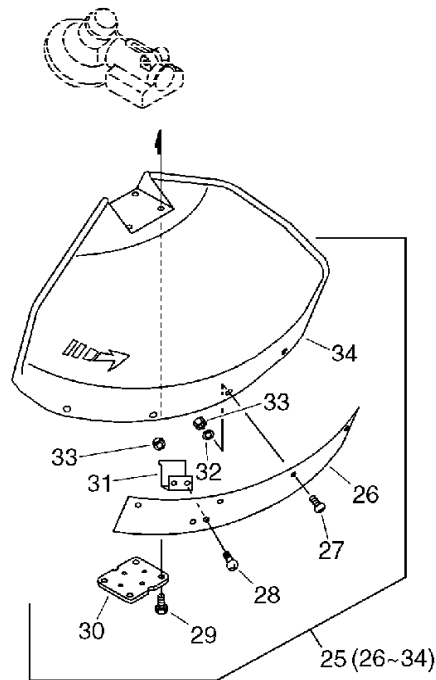
KEY	LV	PART NUMBER	Q'TY	DESCRIPTION	REMARKS	NOTE1	NOTE2
62	+	P022-010410	1	COVER			



6003114 and after)

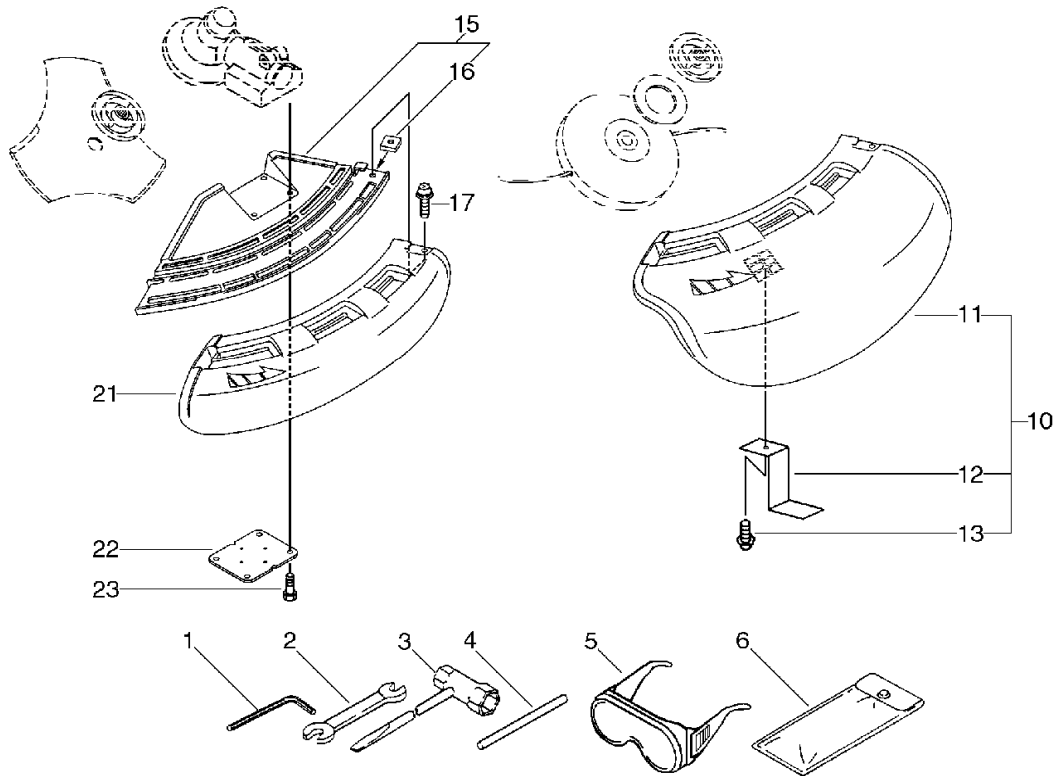


14. Shield(Drive Shaft Sr/Nr 003679 and before)



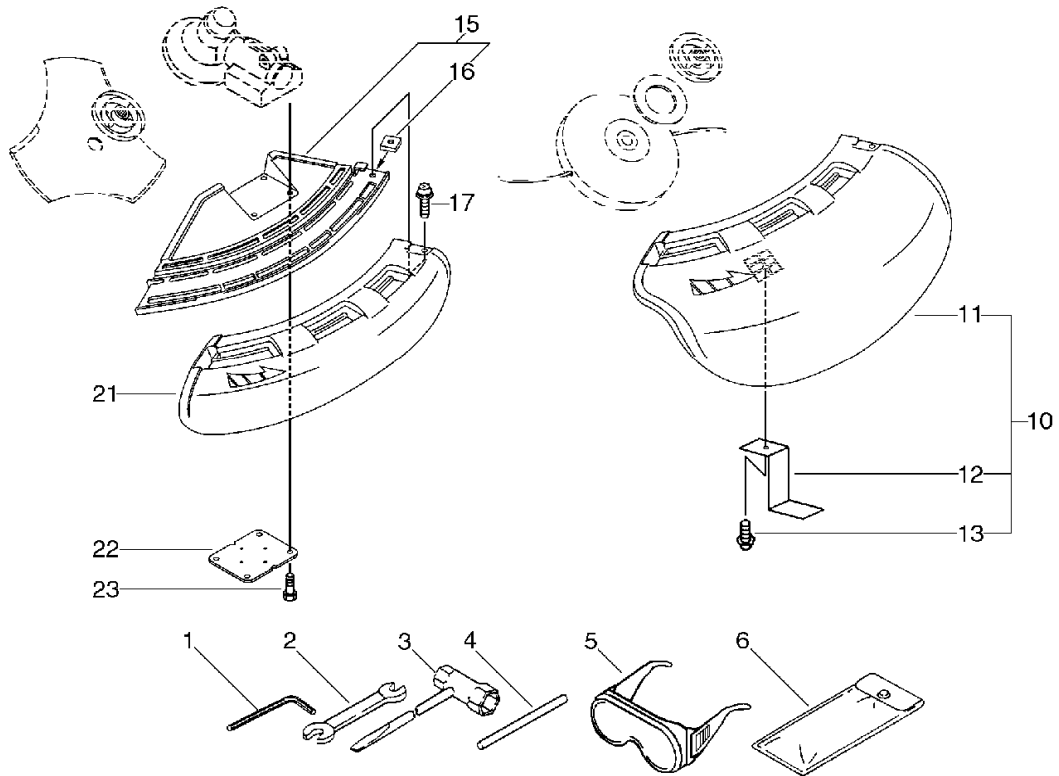
KEY	LV	PART NUMBER	Q'TY	DESCRIPTION	REMARKS	NOTE1	NOTE2
25		699000-52931	1	SHIELD ASY		Drive Shaft Sr/Nr 003679 and before	
26	+	699013-52130	1	PLATE, SHIELD		Drive Shaft Sr/Nr 003679 and before	
27	+	900162-05018	4	BOLT, H.S. 5*18	5*18 W,SW	Drive Shaft Sr/Nr 003679 and before	
28	+	900162-05014	2	BOLT, H.S. 5*14	5*14 W,SW	Drive Shaft Sr/Nr 003679 and before	
29	+	900162-05025	4	BOLT, H.S. 5*25	5*25 W,SW		
30	+	699013-56830	1	PLATE, SHIELD			
31	+	699016-54530	1	KNIFE		Drive Shaft Sr/Nr 003679 and before	
32	+	900603-00005	4	WASHER 5	5.5*12*0.8	Drive Shaft Sr/Nr 003679 and before	
33	+	900500-00005	6	NUT 5	5	Drive Shaft Sr/Nr 003679 and before	
34	+	699010-52931	1	SHIELD, BLADE		Drive Shaft Sr/Nr 003679 and before	

15. Shield(Drive Shaft Sr/Nr 003680 to 36003113), Tools



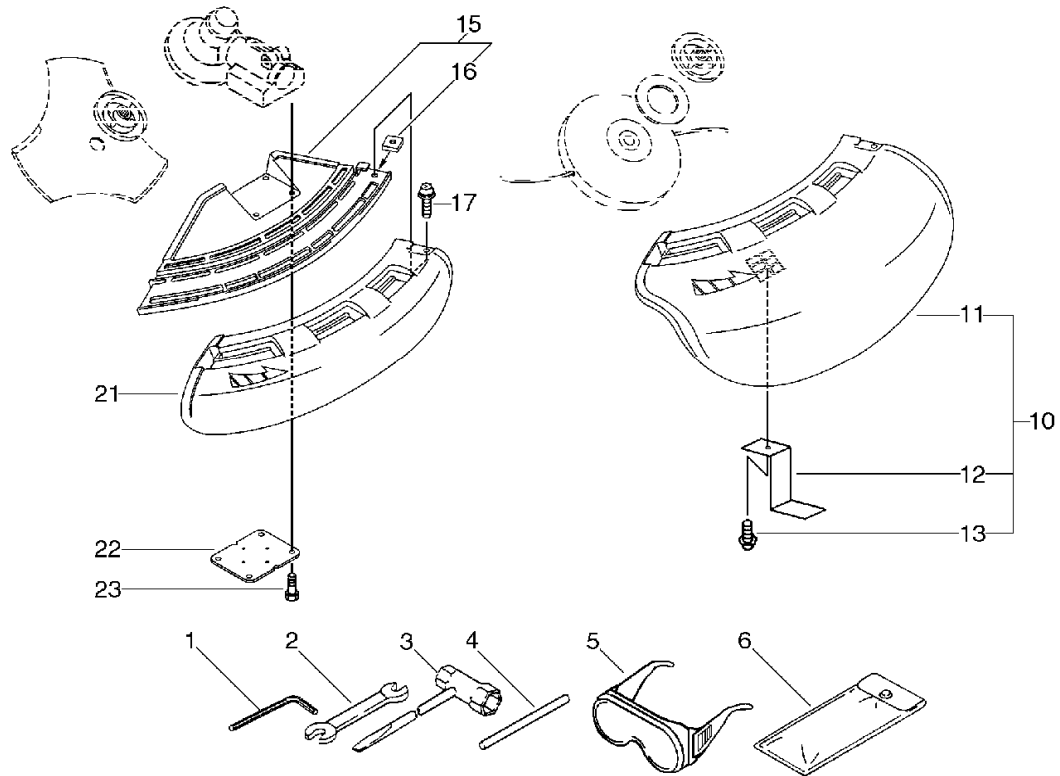
KEY	LV	PART NUMBER	Q'TY	DESCRIPTION	REMARKS	NOTE1	NOTE2
1		895610-00130	1	L-WRENCH (4MM)			
2		895112-00330	1	SPANNER 8*10			
3		895410-08030	1	WRENCH, W/S. DRIVER		Sus. by X602-000020	
3		X602-000020	1	TOOL,WRENCH	17*19 L200		
4		897518-01131	1	LOCKING TOOL			
5		899580-40930	1	GOGGLE		Sus. by X690-000030	
5		899580-68730	1	SAFETY GLASSES		Sus. by X690-000030	
5		X690-000030	1	GOGGLE			
6		898510-39130	1	BAG, TOOL			
10		P021-002620	1	SHIELD,BLADE(W/KNIFE		Drive Shaft Sr/Nr 003680 and after	
11	+	C550-000080	1	SHIELD,BLADE		Drive Shaft Sr/Nr 003680 and after	
12	+	C554-000000	1	KNIFE,CORD		Drive Shaft Sr/Nr 003680 and after	
13	+	900252-05012	1	SCREW 5*12	5*12	Drive Shaft Sr/Nr 003680 and after	

15. Shield(Drive Shaft Sr/Nr 003680 to 36003113), Tools



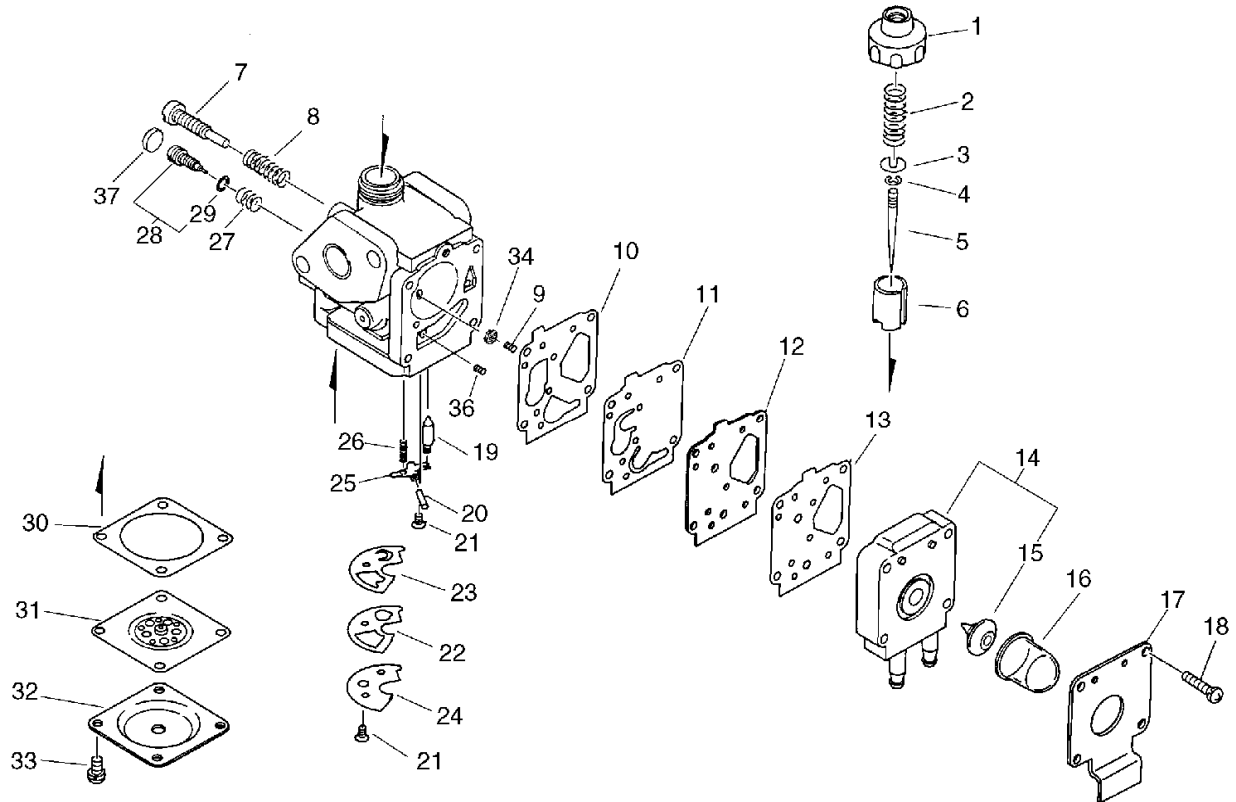
KEY	LV	PART NUMBER	Q'TY	DESCRIPTION	REMARKS	NOTE1	NOTE2
16		900565-00005	1	NUT	5	Drive Shaft Sr/Nr 003680 and after	
17		900242-05018	1	SCREW 5*18	5*18	Drive Shaft Sr/Nr 003680 and after	
20		C550-000100	1	SHIELD, BLADE		Drive Shaft Sr/Nr 003680 and after	
21		C550-000090	1	SHIELD, BLADE		Drive Shaft Sr/Nr 003680 and after	
22		699013-56830	1	PLATE, SHIELD			
23		900162-05025	4	BOLT, H.S. 5*25	5*25 W, SW	Sus. by 91118-05025	

16. Shield(Drive Shaft Sr/Nr 36003114 and after), Tools



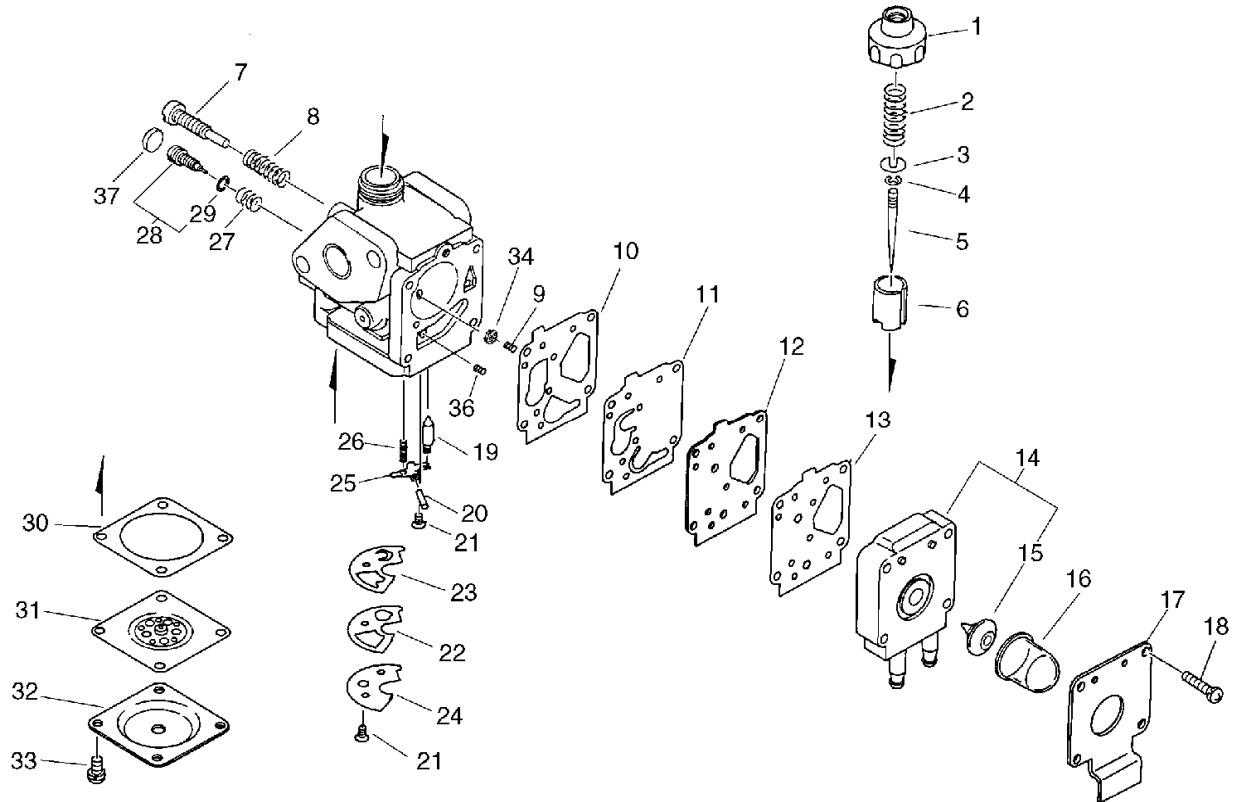
KEY	LV	PART NUMBER	Q'TY	DESCRIPTION	REMARKS	NOTE1	NOTE2
1		895610-00130	1	L-WRENCH (4MM)			
2		895112-00330	1	SPANNER 8*10			
3		X602-000020	1	TOOL,WRENCH	17*19 L200		
4		897518-01131	1	LOCKING TOOL			
5		X690-000030	1	GOGGLE			
6		898510-39130	1	BAG, TOOL			
10		P021-002620	1	SHIELD,BLADE(W/KNIFE			
11	+	C550-000080	1	SHIELD,BLADE			
12	+	C554-000000	1	KNIFE,CORD			
13	+	900252-05012	1	SCREW 5*12	5*12		
15		C550-000100	1	SHIELD,BLADE			
16	+	900565-00005	1	NUT	5		
17		900242-05018	1	SCREW 5*18	5*18		
21		C550-000090	1	SHIELD,BLADE			
22		699013-56830	1	PLATE, SHIELD			
23		91118-05025	4	BOLT	CM-5*25		

17. Carburetor



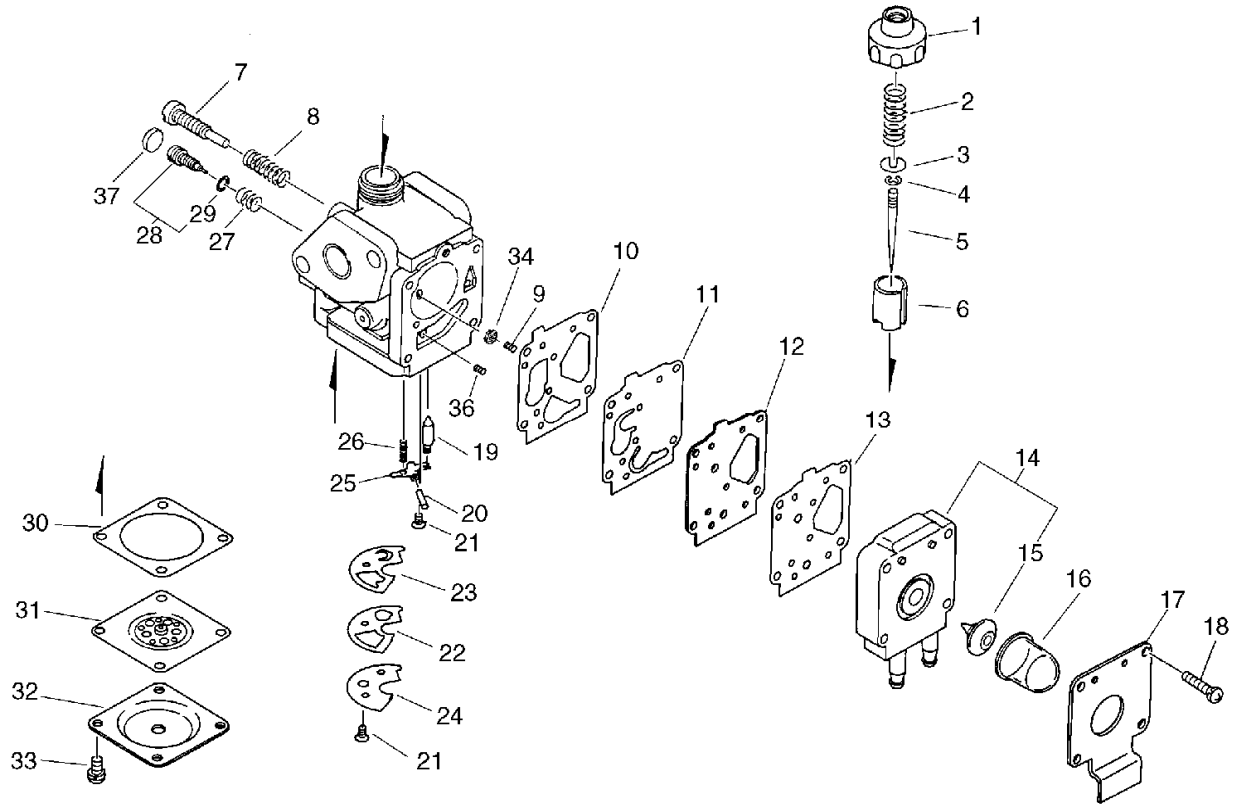
KEY	LV	PART NUMBER	Q'TY	DESCRIPTION	REMARKS	NOTE1	NOTE2
		124200-64730	1	CARBURETOR ASY		Sus. by 124200-64731	
		124200-64731	1	CARBURETOR	DPR11-1H		
1	+	124113-05530	1	COVER, TOP			
2	+	124114-50330	1	SPRING, THROTTLE			
3	+	124115-05530	1	SEAT, SPRING			
4	+	124116-05530	1	E-RING			
5	+	124317-52030	1	NEEDLE, JET		Can be used on 124200-64730	
5	+	P004-000580	1	NEEDLE, JET		Can be used on 124200-64731	
6	+	124318-55430	1	VALVE, THROTTLE			
7	+	124159-05530	1	SCREW, IDLE ADJUST			
8	+	124160-11120	1	SPRING, IDLE ADJUST			
9	+	124367-53630	1	SPRING, CHECK VALVE		Can be used on 124200-64730	
9	+	P004-000600	1	SPRING, ADJUSTMENT		Can be used on 124200-64731	
10	+	124361-12710	1	GASKET			
11	+	124364-12710	1	DIAPHRAGM, FUEL PUMP	NBR		
12	+	124362-12710	1	PLATE, PUMP			
13	+	124363-12710	1	GASKET, FUEL PUMP			

17. Carburetor



KEY	LV	PART NUMBER	Q'TY	DESCRIPTION	REMARKS	NOTE1	NOTE2
14	+	124379-55430	1	COVER, PUMP			
15	++	124374-55430	1	VALVE, CHECK			
16	+	124380-55430	1	PUMP, PRIMING			
17	+	124342-55430	1	PLATE, PUMP			
18	+	900241-03014	4	SCREW 3*14 (W/SW)	3*14		
19	+	124320-52830	1	VALVE, NEEDLE			
20	+	124332-21330	1	PIN, LEVER			
21	+	900273-03008	2	SCREW 3* 8	3*8 SUS		
22	+	124374-53630	1	VALVE, CHECK			
23	+	124375-12710	1	GASKET			
24	+	124345-54930	1	PLATE			
25	+	124321-50430	1	LEVER, INLET CONTROL			
26	+	124331-21330	1	SPRING, NEEDLE VALVE			
27	+	124355-21330	1	SPRING, ADJUSTMENT			
28	+	124354-12710	1	SCREW, MAIN ADJUST		Can be used on 124200-64730	
28	+	P004-000630	1	SCREW, MAIN ADJUST		Can be used on 124200-64731	
29	++	124356-21330	1	O-RING		Can be used on 124200-64730	
29	++	P004-000610	1	O-RING		Can be used on 124200-64731	

17. Carburetor



KEY	LV	PART NUMBER	Q'TY	DESCRIPTION	REMARKS	NOTE1	NOTE2
30	+	124358-61830	1	GASKET, DIAPHRAGM		Can be used on 124200-64730	
30	+	P004-000590	1	GASKET, DIAPHRAGM		Can be used on 124200-64731	
31	+	124341-55430	1	DIAPHRAGM		Can be used on 124200-64730	
31	+	124341-52830	1	DIAPHRAGM		Can be used on 124200-64731	
32	+	124324-21330	1	COVER, DIAPHRAGM			
33	+	900241-03008	4	SCREW 3*8	3*8		
34	+	P004-000010	1	SCREEN, INLET			
36	+	124367-55430	1	SPRING, COIL			
37	+	P004-000570	1	PLATE		Can be used on 124200-64731	

Index

Patrs Number	Key No.	Patrs Number	Key No.	Patrs Number	Key No.
100000-55830	1 - 19	124317-52030	17 - 5	131300-56430	6 - 1
100000-55831	1 - 19	124318-55430	17 - 6	131300-56430	7 - 1
100000-55832	1 - 19	124320-52830	17 - 19	131314-06320	6 - 25
100011-42230	1 - 20	124321-50430	17 - 25	131314-06320	7 - 25
100011-42230	2 - 20	124324-21330	17 - 32	131315-05020	6 - 24
100012-16131	1 - 23	124331-21330	17 - 26	131315-05020	7 - 24
100012-16131	2 - 23	124332-21330	17 - 20	131910-55430	6 - 29
100013-27430	1 - 21	124341-52830	17 - 31	131910-55430	7 - 29
100013-27430	2 - 21	124341-55430	17 - 31	131920-55430	6 - 9
100014-53630	1 - 24	124342-55430	17 - 17	131920-55430	7 - 9
100014-53630	2 - 24	124345-54930	17 - 24	132010-52030	6 - 4
100015-03930	1 - 22	124354-12710	17 - 28	132010-52030	7 - 4
100015-03931	1 - 22	124355-21330	17 - 27	132013-26630	6 - 7
100015-03931	2 - 22	124356-21330	17 - 29	132013-26630	7 - 7
100100-56930	1 - 25	124358-61830	17 - 30	132013-50430	6 - 22
100100-56930	2 - 25	124361-12710	17 - 10	132013-50430	7 - 22
100127-50430	1 - 53	124362-12710	17 - 12	132115-50430	6 - 21
100127-50430	2 - 53	124363-12710	17 - 13	132115-50430	7 - 21
100142-12330	3 - 12	124364-12710	17 - 11	132115-55930	6 - 6
100142-12330	4 - 12	124367-53630	17 - 9	132115-55930	7 - 6
100204-56930	1 - 30	124367-55430	17 - 36	132717-34330	1 - 58
100204-56930	2 - 30	124374-53630	17 - 22	132717-34330	2 - 58
100213-05530	1 - 31	124374-55430	17 - 15	132717-34630	6 - 20
100213-05530	2 - 31	124375-12710	17 - 23	132717-34630	7 - 20
100215-03930	1 - 32	124379-55430	17 - 14	132717-36030	6 - 19
100215-03930	2 - 32	124380-55430	17 - 16	132717-36030	7 - 19
100242-55430	1 - 34	130007-56930	5 - 6	145510-55430	5 - 20
100242-55430	2 - 34	130010-52830	5 - 7	145610-55230	5 - 22
101010-55430	1 - 10	130016-55430	5 - 5	150112-44330	3 - 15
101010-55430	2 - 10	130111-00530	6 - 2	150112-44330	4 - 15
101034-55830	1 - 5	130111-00530	7 - 2	150611-14530	3 - 16
101511-55430	1 - 45	130307-52830	5 - 12	150611-14530	4 - 16
101511-55430	2 - 45	130307-53930	5 - 12	152626-55430	3 - 14
101514-55630	1 - 14	130308-52831	5 - 15	152626-55430	4 - 14
101514-55630	2 - 14	130310-52830	5 - 14	152801-55430	3 - 13
101531-55230	1 - 16	130311-52830	5 - 13	152801-55430	4 - 13
101531-55230	2 - 16	131004-54930	6 - 13	159010-10230	3 - 20
101586-56930	1 - 56	131004-54930	7 - 13	159010-10230	4 - 20
101586-56930	2 - 56	131005-56930	6 - 10	159011-03432	3 - 19
124113-05530	17 - 1	131005-56931	6 - 10	159011-03432	4 - 19
124114-50330	17 - 2	131005-56931	7 - 10	159012-01620	3 - 17
124115-05530	17 - 3	131016-55830	6 - 14	159012-01620	4 - 17
124116-05530	17 - 4	131016-55830	7 - 14	159015-55230	3 - 18
124159-05530	17 - 7	131051-52430	6 - 15	159015-55230	4 - 18
124160-11120	17 - 8	131051-52430	6 - 15	159112-09960	8 - 13
124200-64730	17 -	131051-52430	7 - 15	159112-09961	8 - 13
124200-64730	5 - 11	131051-52430	7 - 15	159112-09961	9 - 13
124200-64731	17 -	131205-14930	6 - 8	159902-55230	1 - 11
124200-64731	5 - 11	131205-14930	7 - 8	159902-55230	2 - 11

Index

Patrs Number	Key No.	Patrs Number	Key No.	Patrs Number	Key No.
162010-50330	3 - 22	178012-52630	11 - 20	436012-37830	7 - 27
162014-50330	3 - 23	178013-35631	8 - 6	436205-50430	6 - 23
162014-50330	4 - 23	178013-52630	11 - 26	436205-50430	7 - 23
162021-27230	3 - 22	178021-05530	5 - 10	437002-49930	1 - 52
162021-27230	4 - 22	178043-42230	11 - 22	437002-49931	1 - 52
162110-27230	8 - 12	178049-06630	5 - 28	437002-49931	2 - 52
163400-49930	11 - 23	178090-52630	11 - 25	437063-50430	1 - 51
163400-50330	8 - 9	178090-52631	11 - 25	437063-50430	2 - 51
163400-50330	9 - 9	178090-52632	11 - 25	437210-11131	6 - 3
175005-49930	1 - 40	178114-05630	5 - 27	437215-20760	6 - 5
175005-49930	2 - 40	178127-50330	5 - 9	437215-20760	7 - 5
175009-49930	3 - 7	178127-55931	11 - 8	437221-54930	6 - 18
175018-49931	3 - 6	178128-22130	5 - 26	437221-54930	7 - 18
175018-49932	3 - 6	178523-55130	5 - 19	437243-56930	1 - 57
175018-49932	4 - 6	178810-03930	1 - 55	437243-56930	2 - 57
175046-46430	3 - 5	178810-03930	2 - 55	605014-54230	8 - 21
175046-46430	4 - 5	224924-52930	8 - 14	605014-54230	9 - 21
175048-05530	3 - 8	224924-52930	9 - 14	610011-06230	11 - 10
175048-05530	4 - 8	301000-55230	11 - 31	610011-06230	8 - 33
177200-55631	3 - 30	301000-55231	11 - 31	610011-06230	9 - 33
177200-55631	4 - 30	301001-56831	8 - 34	610206-56930	11 - 30
177202-41030	3 - 25	301015-05330	8 - 16	610206-56930	8 - 32
177202-41030	4 - 25	301015-05330	9 - 16	610206-56930	9 - 32
177214-41030	3 - 32	301200-05230	8 - 15	610272-51830	11 - 28
177214-41030	4 - 32	301200-42230	11 - 15	610281-42230	11 - 5
177215-43130	3 - 33	301207-07530	11 - 12	610300-56930	10 - 12
177215-43130	4 - 33	301210-04630	8 - 18	610300-56930	12 - 12
177218-40630	3 - 28	301210-04630	9 - 18	610300-56930	13 - 12
177218-40630	4 - 28	301305-24330	11 - 32	610310-56930	10 - 10
177220-40630	3 - 34	305110-55630	6 - 12	610310-56930	12 - 10
177220-40630	4 - 34	305110-55630	7 - 12	610310-56930	13 - 10
177226-01110	3 - 35	351010-52931	8 - 29	610313-52930	10 - 6
177226-01110	4 - 35	351010-52931	9 - 29	610313-52930	12 - 4
177227-42030	3 - 36	351102-47530	8 - 1	610314-52130	10 - 4
177227-42030	4 - 36	351201-55630	11 - 2	610320-52130	10 - 2
177228-27030	3 - 37	351202-51430	8 - 26	610352-56830	10 - 11
177228-27030	4 - 37	351213-51830	11 - 27	610352-56830	12 - 5
177234-40630	3 - 27	351214-52931	8 - 25	610352-56830	13 - 5
177234-40630	4 - 27	351214-52931	9 - 25	610400-56930	10 - 1
177236-40630	3 - 31	351301-52930	8 - 19	610400-56931	10 - 1
177236-40630	4 - 31	351311-22430	8 - 30	610400-56932	10 - 1
178001-27230	8 - 11	351421-52130	8 - 20	610434-50030	10 - 17
178001-50330	5 - 8	352325-55230	1 - 12	610434-50030	12 - 17
178002-24430	11 - 7	352325-55230	2 - 12	610434-50031	10 - 17
178002-64730	11 - 7	436001-56530	6 - 26	610434-50031	12 - 17
178003-51830	11 - 17	436001-56530	7 - 26	610434-50031	13 - 17
178010-05960	8 - 7	436010-56930	6 - 28	610444-56830	10 - 8
178010-52130	11 - 21	436010-56930	7 - 28	610444-56830	12 - 8
178012-05960	8 - 5	436012-37830	6 - 27	610444-56830	13 - 8

Index

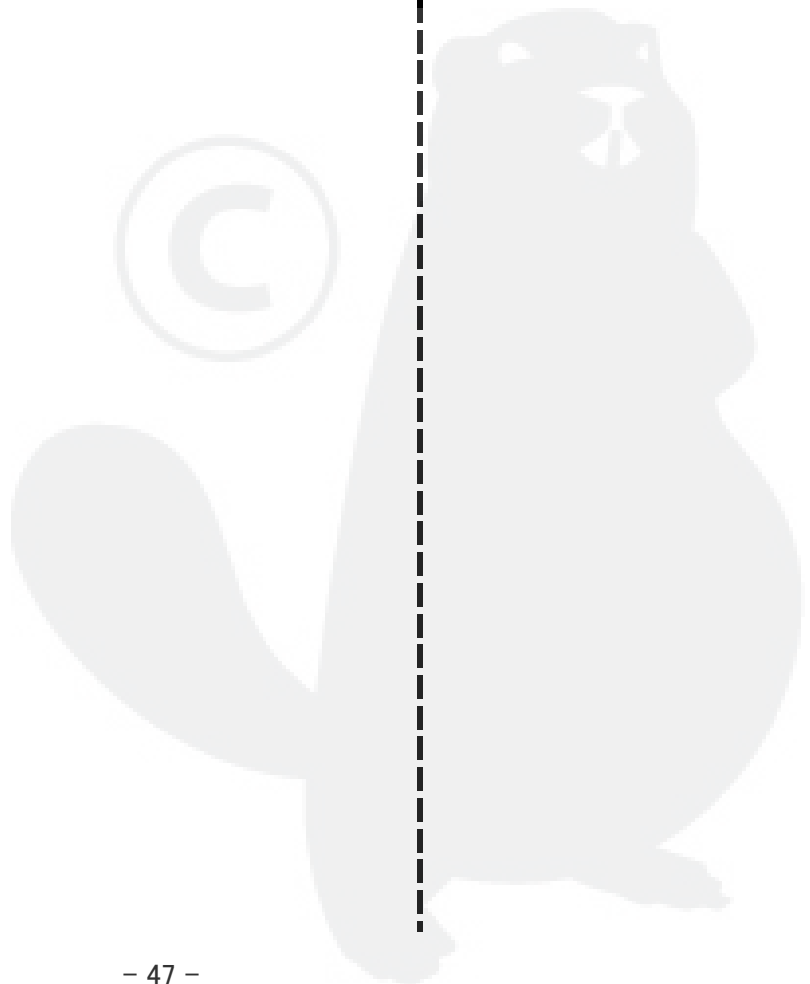
Patrs Number	Key No.	Patrs Number	Key No.	Patrs Number	Key No.
610473-52130	10 - 15	895610-00130	16 - 1	900242-05010	10 - 18
610473-52130	12 - 15	897518-01131	15 - 4	900242-05010	12 - 18
610473-52131	10 - 15	897518-01131	16 - 4	900242-05010	13 - 18
610473-52131	12 - 15	898503-50030	10 - 25	900242-05014	11 - 16
610473-52131	13 - 15	898510-39130	15 - 6	900242-05018	15 - 17
610903-55630	1 - 48	898510-39130	16 - 6	900242-05018	16 - 17
610910-51830	1 - 47	898562-43230	10 - 26	900242-05025	11 - 19
610910-51830	2 - 47	899580-40930	15 - 5	900242-05028	11 - 29
610910-55630	1 - 47	899580-68730	15 - 5	900242-05035	11 - 3
696001-55630	10 - 24	900100-05018	11 - 13	900242-05035	11 - 18
696001-55631	10 - 24	900105-05012	8 - 17	900242-05050	5 - 17
696206-28232	12 - 47	900105-05060	5 - 24	900246-03025	8 - 2
696210-56930	12 - 41	900162-04030	3 - 38	900246-04016	8 - 2
696212-06032	12 - 43	900162-05012	1 - 17	900252-05012	15 - 13
696214-06830	12 - 42	900162-05012	1 - 50	900252-05012	16 - 13
696215-22830	12 - 44	900162-05012	5 - 21	900253-04016	8 - 2
696216-06030	12 - 46	900162-05012	6 - 11	900253-04016	9 - 2
696219-28231	12 - 48	900162-05014	14 - 28	900253-04025	11 - 6
696220-06030	12 - 49	900162-05018	14 - 27	900273-03008	17 - 21
699000-52931	14 - 25	900162-05020	1 - 4	900500-00005	11 - 4
699010-52931	14 - 34	900162-05020	1 - 15	900500-00005	11 - 24
699012-03330	11 - 14	900162-05020	1 - 46	900500-00005	11 - 24
699013-52130	14 - 26	900162-05020	2 - 4	900500-00005	14 - 33
699013-56830	14 - 30	900162-05020	3 - 21	900500-00005	8 - 4
699013-56830	15 - 22	900162-05020	4 - 21	900500-00005	8 - 28
699013-56830	16 - 22	900162-05020	6 - 30	900500-00005	9 - 4
699016-54530	14 - 31	900162-05020	8 - 22	900500-00005	9 - 28
699229-56830	10 - 3	900162-05020	8 - 27	900502-00008	3 - 9
890012-62530	5 - 25	900162-05025	1 - 49	900502-00008	3 - 29
890112-64730	1 - 18	900162-05025	14 - 29	900502-00008	4 - 9
890112-64730	2 - 18	900162-05025	15 - 23	900502-00008	4 - 29
890118-49330	3 - 39	900162-05025	5 - 18	900518-00005	6 - 17
890118-49330	4 - 39	900162-05030	1 - 35	900518-00005	7 - 17
890152-04930	11 - 33	900162-05030	2 - 35	900565-00005	15 - 16
890152-04930	8 - 40	900162-05030	8 - 23	900565-00005	16 - 16
890152-04930	9 - 40	900162-06030	10 - 19	900565-50008	8 - 24
890157-39130	11 - 11	900162-06030	12 - 19	900565-50008	9 - 24
890157-39130	8 - 35	900220-05030	8 - 3	900600-00005	5 - 23
890177-46730	11 - 1	900220-05030	9 - 3	900600-00008	3 - 11
890617-43130	11 - 1	900220-06010	12 - 50	900600-00008	4 - 11
890617-43130	8 - 31	900238-05010	3 - 24	900603-00005	14 - 32
890617-43130	9 - 31	900238-05010	4 - 24	900603-50008	10 - 16
890617-46730	12 - 40	900239-05018	6 - 16	900603-50008	12 - 16
890617-46830	8 - 31	900239-05018	7 - 16	900603-50008	13 - 16
890617-63630	11 - 1	900240-04016	1 - 54	900605-00008	3 - 10
895112-00330	15 - 2	900240-04016	2 - 54	900605-00008	4 - 10
895112-00330	16 - 2	900241-03008	17 - 33	900700-00004	3 - 26
895410-08030	15 - 3	900241-03014	17 - 18	900700-00004	4 - 26
895610-00130	15 - 1	900242-04020	5 - 16	900701-00012	10 - 23

Index

Patrs Number	Key No.	Patrs Number	Key No.	Patrs Number	Key No.
900701-00012	1 - 44	94035-36201	2 - 33	P021-002612	8 - 1
900701-00012	12 - 23	A130-000600	1 - 5	P021-002612	9 - 1
900701-00012	13 - 23	A130-000601	1 - 5	P021-002620	15 - 10
900701-00012	2 - 44	A130-000601	2 - 5	P021-002620	16 - 10
900702-00028	10 - 22	A553-000000	3 - 7	P021-002760	8 - 19
900702-00028	1 - 41	A553-000000	4 - 7	P021-002761	8 - 19
900702-00028	12 - 22	C062-000180	8 - 34	P021-005890	11 - 17
900702-00028	13 - 22	C062-000181	8 - 34	P021-007410	1 - 19
900702-00028	2 - 41	C062-000181	9 - 34	P021-007410	2 - 19
900702-00032	10 - 7	C062-000182	9 - 34	P021-007470	10 - 25
900702-00032	12 - 7	C403-000030	8 - 30	P021-008870	5 - 22
900702-00032	13 - 7	C403-000031	8 - 30	P021-012660	9 - 15
900720-00004	1 - 13	C403-000031	9 - 30	P021-012740	9 - 19
900720-00004	2 - 13	C450-000020	8 - 7	P021-012780	8 - 26
900720-00012	10 - 5	C450-000022	8 - 7	P021-012780	9 - 26
900720-00012	12 - 3	C450-000022	9 - 7	P021-012800	2 - 48
900720-00012	13 - 3	C460-000010	8 - 5	P022-000710	12 - 42
900800-06001	10 - 20	C460-000011	8 - 5	P022-000710	12 - 61
900800-06001	12 - 20	C460-000011	9 - 5	P022-000710	13 - 61
900800-06001	13 - 20	C461-000000	11 - 20	P022-000730	12 - 48
900803-06001	10 - 21	C461-000010	11 - 34	P022-001160	12 - 44
900803-06001	12 - 21	C463-000000	9 - 37	P022-001180	12 - 47
900803-06001	13 - 21	C535-000000	10 - 6	P022-001190	12 - 49
900807-06001	10 - 21	C535-000000	12 - 4	P022-001200	12 - 45
900807-06001	1 - 42	C535-000001	10 - 6	P022-001310	12 - 46
900807-06001	12 - 21	C535-000001	12 - 4	P022-005030	12 - 49
900807-06001	2 - 42	C535-000001	13 - 4	P022-005040	12 - 43
900810-00629	10 - 13	C535-000010	10 - 14	P022-006200	12 - 48
900810-00629	12 - 13	C535-000010	12 - 6	P022-010370	12 - 58
900810-00629	13 - 13	C535-000011	10 - 14	P022-010370	13 - 58
900810-36201	1 - 33	C535-000011	12 - 6	P022-010380	12 - 59
900812-06201	10 - 9	C535-000011	13 - 6	P022-010380	13 - 59
900812-06201	12 - 9	C550-000080	15 - 11	P022-010390	12 - 57
900812-06201	13 - 9	C550-000080	16 - 11	P022-010390	13 - 57
91118-04030	4 - 38	C550-000090	15 - 21	P022-010400	12 - 60
91118-05012	2 - 17	C550-000090	16 - 21	P022-010400	13 - 60
91118-05012	2 - 50	C550-000100	15 - 20	P022-010410	12 - 62
91118-05012	7 - 11	C550-000100	16 - 15	P022-010410	13 - 62
91118-05020	2 - 15	C554-000000	15 - 12	P022-010420	12 - 56
91118-05020	2 - 46	C554-000000	16 - 12	P022-010420	13 - 56
91118-05020	7 - 30	P004-000010	17 - 34	V299-000110	8 - 20
91118-05020	8 - 27	P004-000570	17 - 37	V299-000110	9 - 20
91118-05020	9 - 27	P004-000580	17 - 5	V332-000000	12 - 41
91118-05025	16 - 23	P004-000590	17 - 30	V430-000380	8 - 11
91118-05025	2 - 49	P004-000600	17 - 9	V430-000381	8 - 11
91118-05030	9 - 23	P004-000610	17 - 29	V430-000381	9 - 11
91118-06030	13 - 19	P004-000630	17 - 28	V450-000110	11 - 21
91119-05012	9 - 17	P021-002610	8 - 1	V452-000050	8 - 6
94035-36201	1 - 33	P021-002611	8 - 1	V452-000060	8 - 8

Index

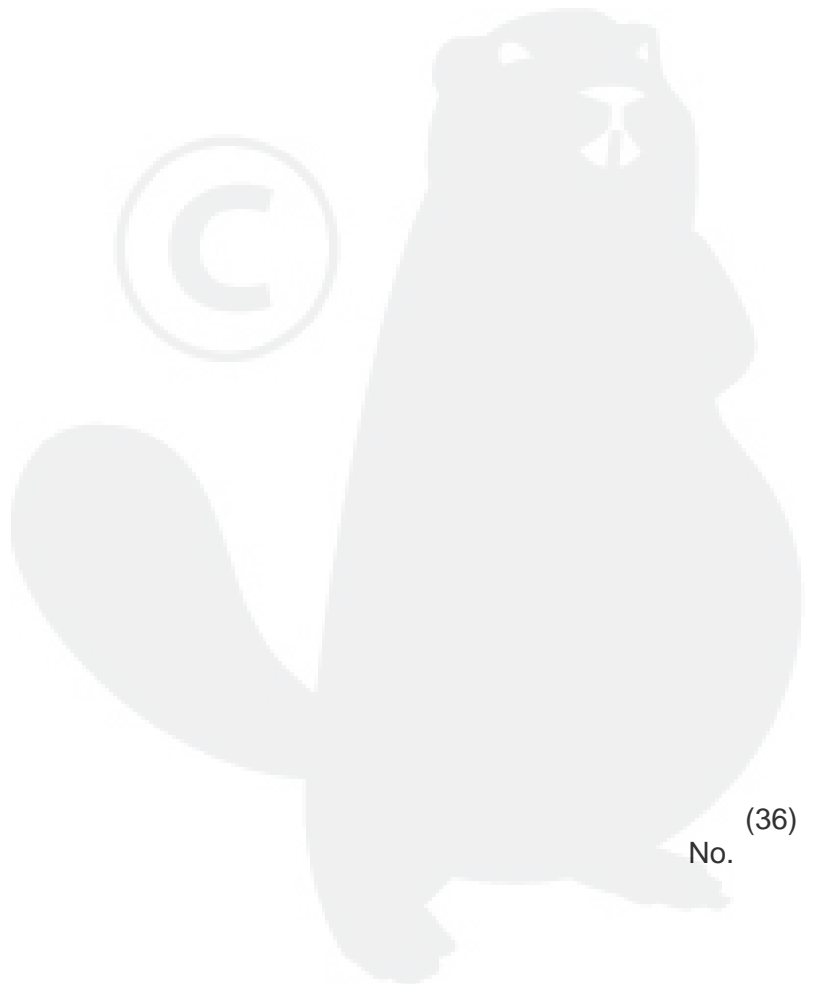
Patrs Number	Key No.	Patrs Number	Key No.	Patrs Number	Key No.
V452-000060	9 - 8				
V452-000120	11 - 35				
V452-000130	9 - 6				
V471-001210	6 - 3				
V471-001210	7 - 3				
V475-003740	8 - 12				
V475-003740	9 - 12				
X047-000070	12 - 40				
X047-000220	12 - 40				
X047-000330	12 - 55				
X047-000330	13 - 55				
X405-000000	10 - 27				
X405-000001	10 - 27				
X470-000000	12 - 43				
X502-000450	4 - 39				
X505-000140	11 - 1				
X547-001020	2 - 18				
X602-000020	15 - 3				
X602-000020	16 - 3				
X690-000030	15 - 5				
X690-000030	16 - 5				



YAMABIKO CORPORATION

7-2 SUEHIROCHO 1-CHOME, OHME, TOKYO 198-8760, JAPAN
PHONE: 81-428-32-6118. FAX: 81-428-32-6145.

ECHO®



(36)
No.