



# **PARTS CATALOG**

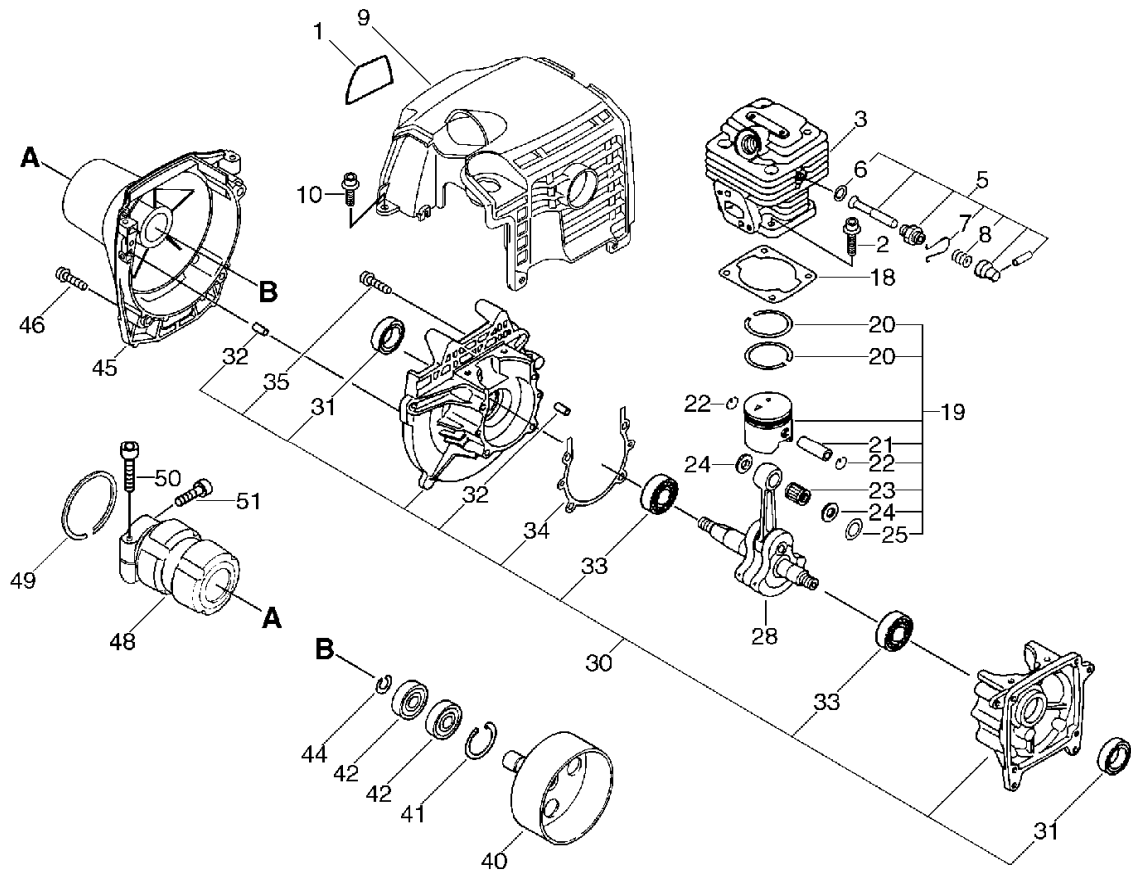
## **GRASS-TRIMMER / BRUSHCUTTER**

**SRM-320,350**

SRM-320,350

# 1. Cylinder, Crankcase, Piston, Fan Cover

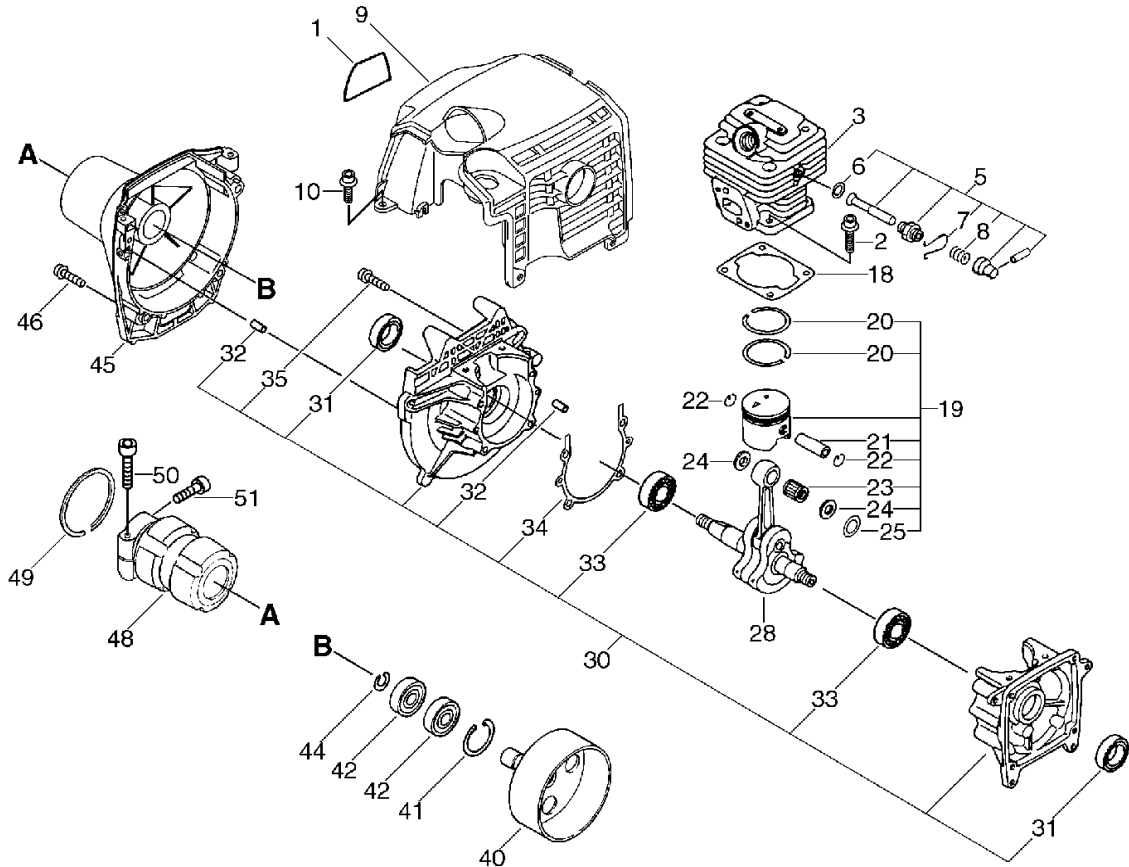
No.1



KEY	LV	PART NUMBER	Q'TY	DESCRIPTION	REMARKS	NOTE1	NOTE2
1		X503-003190	1	LABEL,MODEL	SRM320	SRM-320	
1		X503-003200	1	LABEL,MODEL	SRM-350	SRM-350	
2		900162-05020	4	BOLT, H.S. 5*20	5*20 W,SW		
3		A130-000320	1	CYLINDER		SRM-320	
3		A130-000330	1	CYLINDER		Sus. by A130-000331	
3		A130-000331	1	CYLINDER		SRM-350	
5		101100-37530	1	RELEASE ASSY, COMP.			
6	+	159025-37530	1	GASKET			
7	+	101119-37530	1	CLIP			
8	+	101113-37530	1	SPRING			
9		A160-000390	1	COVER,CYLINDER		Sus. by A160-000391	
9		A160-000391	1	COVER,CYLINDER			
10		900106-05012	2	BOLT, H.S. 5*12	5*12		
18		101010-55430	1	GASKET, CYL. BASE			
19		P021-003080	1	PISTON KIT		Sus. by P021-006802	
19		P021-003081	1	PISTON KIT		Sus. by P021-006802	
19		P021-006802	1	PISTON KIT		SRM-320	
19		100000-55831	1	PISTON KIT		Sus. by P021-007410	
19		100000-55832	1	PISTON KIT		Sus. by P021-007410	
19		P021-007410	1	PISTON KIT		SRM-350	

# 1. Cylinder, Crankcase, Piston, Fan Cover

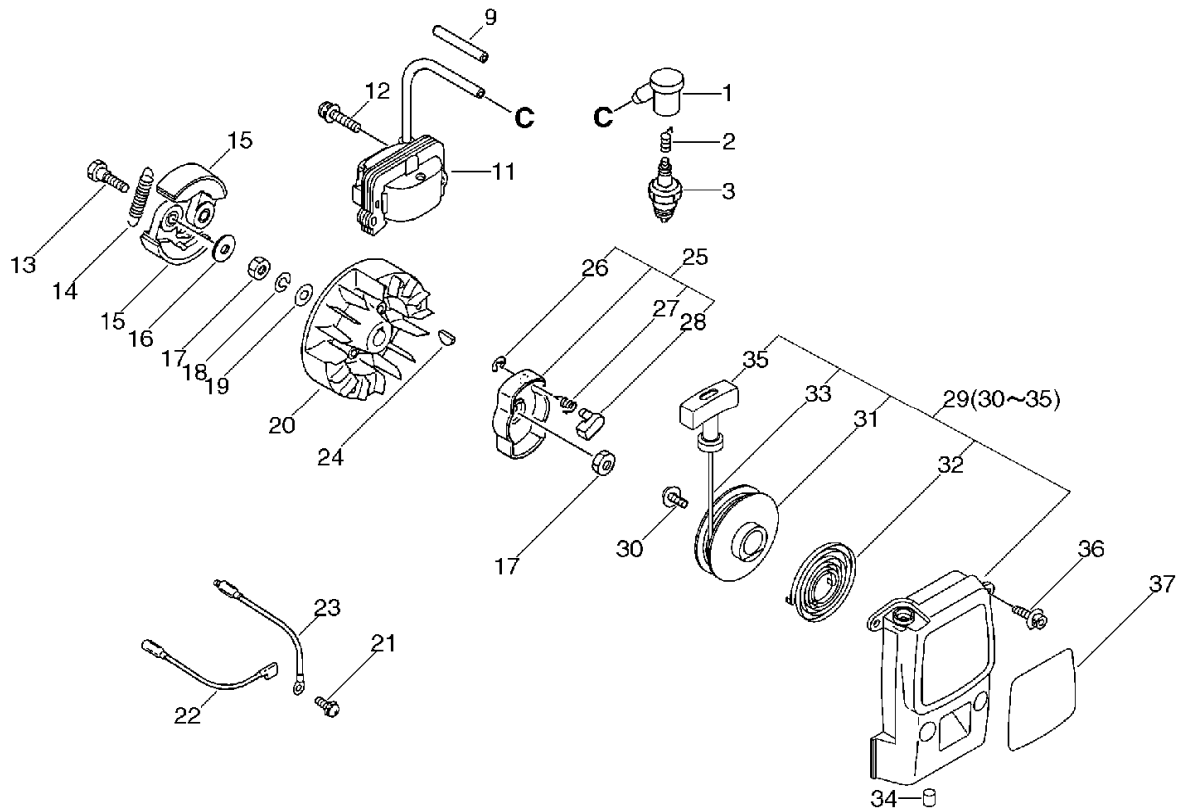
No.1



KEY	LV	PART NUMBER	Q'TY	DESCRIPTION	REMARKS	NOTE1	NOTE2
20	+	100011-16131	2	RING, PISTON		Sus. by A101-000080	
20	+	A101-000080	2	RING, PISTON		SRM-320	
20	+	100011-42230	2	RING, PISTON		SRM-350	
21	+	100013-27430	1	PIN, PISTON			
22	+	100015-03931	2	CIRCLIP, PISTON PIN			
23	+	100012-16131	1	BEARING, NEEDLE			
24	+	100014-53630	2	SPACER, PISTON PIN			
25	+	V306-000121	1	WASHER, CIRCULAR 8	9.1*16*T1	SRM-320	
28		100100-55430	1	CRANKSHAFT ASSY			
30		100204-55430	1	CRANKCASE KIT			
31	+	100213-05530	2	OILSEAL	ISCD 12 22 7		
32	+	100215-03930	4	PIN, DOWEL			
33	+	94035-36201	2	BEARING BALL	6201X3JR2C3		
34	+	100242-55430	1	GASKET, CRANKCASE			
35	+	900162-05030	4	BOLT, H.S. 5*30	5*30 W,SW		
40		175005-49930	1	DRUM, CLUTCH			
41		900702-00028	1	CIRCLIP 28	CR-28		
42		900807-06001	2	BEARING, BALL 6001	6001V(LB)		
44		900701-00012	1	CIRCLIP 12	CS-12		
45		A172-000260	1	COVER, FAN			
46		900162-05020	4	BOLT, H.S. 5*20	5*20 W,SW		
48		V420-000420	1	CUSHION			
49		900702-00045	1	RING, RETAINING(IN)	CR-45		
50		900162-05028	1	BOLT, H.S. 5*28	5*28 W,SW		
51		900162-05012	1	BOLT, H.S. 5*12	5*12 W,SW		

## 2. Starter, Magneto, Clutch

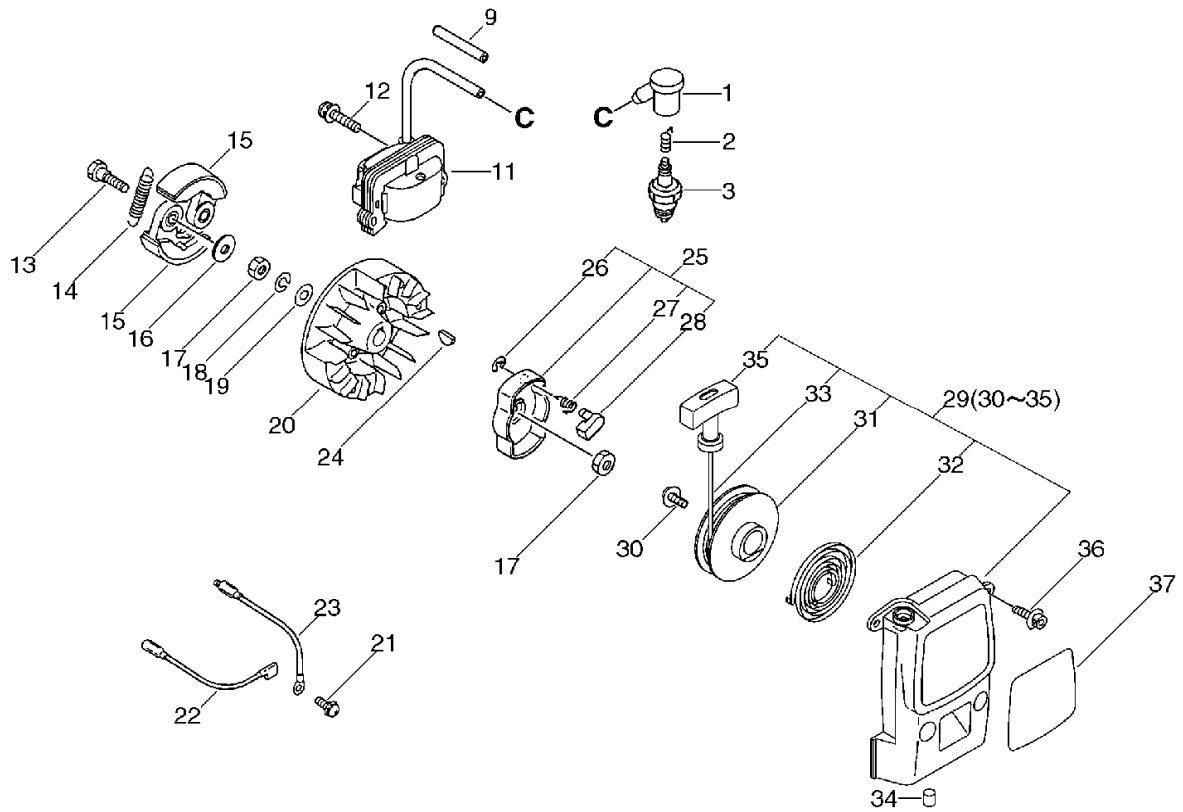
No.2



KEY	LV	PART NUMBER	Q'TY	DESCRIPTION	REMARKS	NOTE1	NOTE2
1		A427-000000	1	CAP, SPARK PLUG			
2		A426-000000	1	TERMINAL, SPARK PLUG			
3		159010-10230	1	PLUG, SPARK (BPMR-7A)	BPMR-7A		
9		437412-16430	1	TUBE, PROTECTOR			
11		152626-55730	1	COIL, IGNITION			
12		900162-05020	2	BOLT, H.S. 5*20	5*20 W, SW		
13		175046-46430	2	BOLT, CLUTCH			
14		175018-49931	1	SPRING, CLUTCH		Sus. by 175018-49932	
14		175018-49932	1	SPRING, CLUTCH			
15		A553-000000	2	ARM, CLUTCH			
16		175048-05530	2	WASHER (I)	6.2*19*1.0		
17		900502-00008	2	NUT 8 (3N)	3N8		
18		900605-00008	1	WASHER, SPRING 8	8		
19		900600-00008	1	WASHER 8	8		
20		152801-55430	1	ROTOR, MAGNET			
21		900238-05010	1	SCREW 5*10	5*10		
22		V485-000230	1	LEAD			
23		V485-000240	1	LEAD			
24		100142-12330	1	KEY, WOODRUFF			
25		177202-41030	1	PAWL ASSY, STARTER			
26	+	900700-00004	1	E-RING 4	CE-4		
27	+	177234-40630	1	SPRING, RETURN			
28	+	177218-40630	1	PAWL, STARTER	WHITE		
29		A051-000280	1	STARTER, RECOIL			
30	+	177236-44330	1	SCREW			

## 2. Starter, Magneto, Clutch

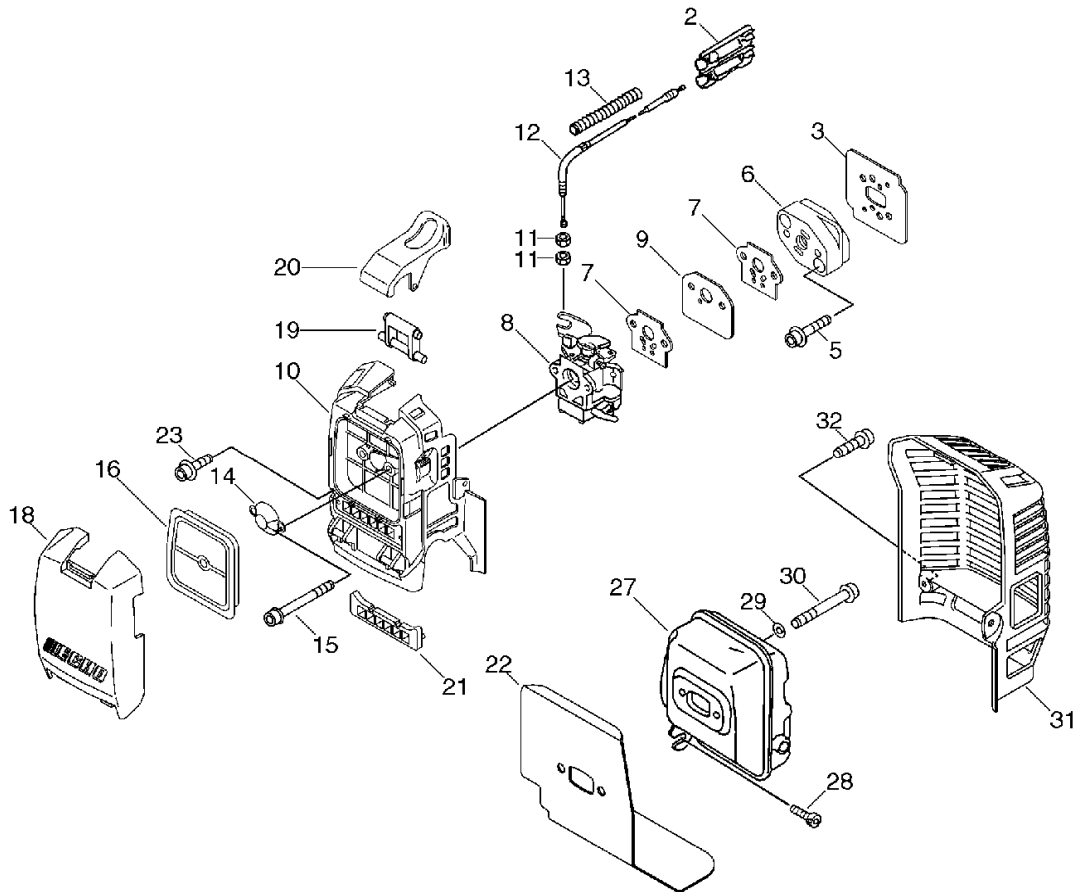
No.2



KEY	LV	PART NUMBER	Q'TY	DESCRIPTION	REMARKS	NOTE1	NOTE2
31	+	177215-43130	1	DRUM, STARTER			
32	+	177220-40630	1	SPRING, REWIND			
33	+	P022-005090	1	ROPE, STARTER			
34	+	V354-000110	1	COLLAR,6	6.2*7.8*8		
35	+	177228-27030	1	GRIP, STARTER			
36		900106-05016	4	BOLT, H.S. 5*16	5*16		
37		X502-000070	1	LABEL,ECHO			

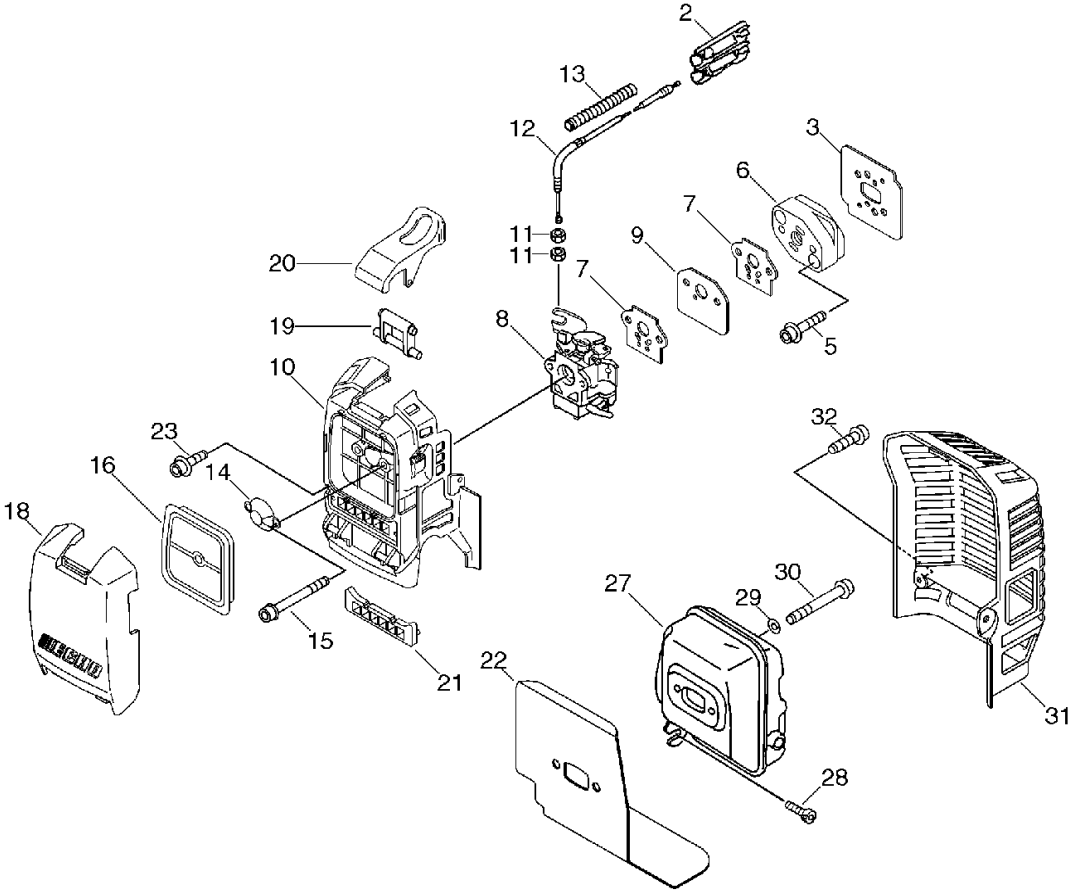
## 3. Air Cleaner, Muffler

No.3



KEY	LV	PART NUMBER	Q'TY	DESCRIPTION	REMARKS	NOTE1	NOTE2
2		178081-55931	1	CONNECTOR,CABLE			
3		V103-000150	1	GASKET,INTAKE			
5		900162-05025	2	BOLT, H.S. 5*25	5*25 W,SW		
6		A200-000090	1	INSULATOR,INTAKE			
7		V103-000160	2	GASKET,INTAKE			
8		A021-000420	1	CARBURETOR,DIAPHRAGM		Sus. by A021-000421	
8		A021-000421	1	CARBURETOR,DIAPHRAGM	WYJ-312A	SRM-320	
8		A021-000430	1	CARBURETOR,DIAPHRAGM		SRM-350 Sus. by A021-000431	
8		A021-000431	1	CARBURETOR,DIAPHRAGM	WYJ-313A	SRM-350	
9		A200-000100	1	INSULATOR,INTAKE			
10		P021-004280	1	CASE,AIR CLEANER			
11		900502-00006	2	NUT 6 (3N)	3N6		
12		V430-000540	1	CABLE,BOWDEN			
13		V475-002210	1	TUBE			
14		A244-000010	1	PLATE,PREVENT			
15		900105-05060	2	BOLT, H.S. 5*60	5*60		
16		A226-000140	1	ELEMENT,AIR FILTER			
18		A232-000150	1	LID,CLEANER		Sus. by A232-000151	
18		A232-000151	1	LID,CLEANER			
19		J485-000030	1	HINGE			
20		A235-000100	1	KNOB,CLEANER LID			
21		V420-000640	1	CUSHION			

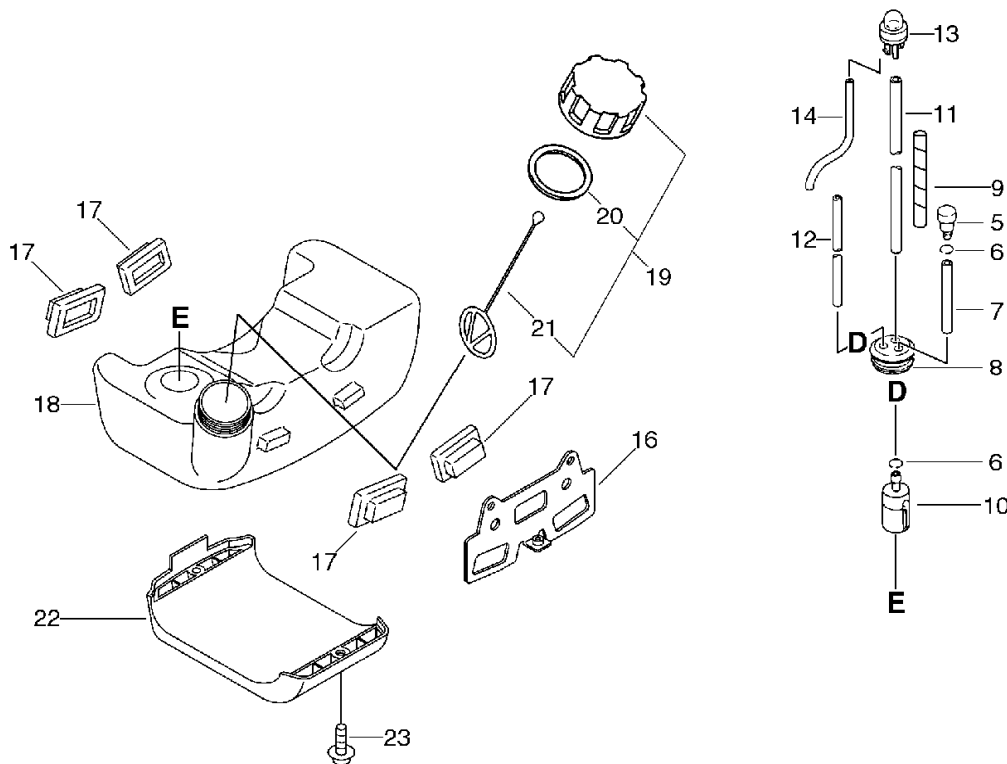
**3. Air Cleaner, Muffler**  
No.3



KEY	LV	PART NUMBER	Q'TY	DESCRIPTION	REMARKS	NOTE1	NOTE2
22		V104-000330	1	GASKET,EXHAUST			
23		900106-05012	1	BOLT, H.S. 5*12	5*12		
27		145610-55230	1	MUFFLER			
28		900162-05012	1	BOLT, H.S. 5*12	5*12 W,SW		
29		900600-00005	2	WASHER 5	5		
30		900105-05060	2	BOLT, H.S. 5*60	5*60		
31		A320-000130	1	COVER,MUFFLER			
32		900106-05012	1	BOLT, H.S. 5*12	5*12		

## 4. Fuel Tank

No.4

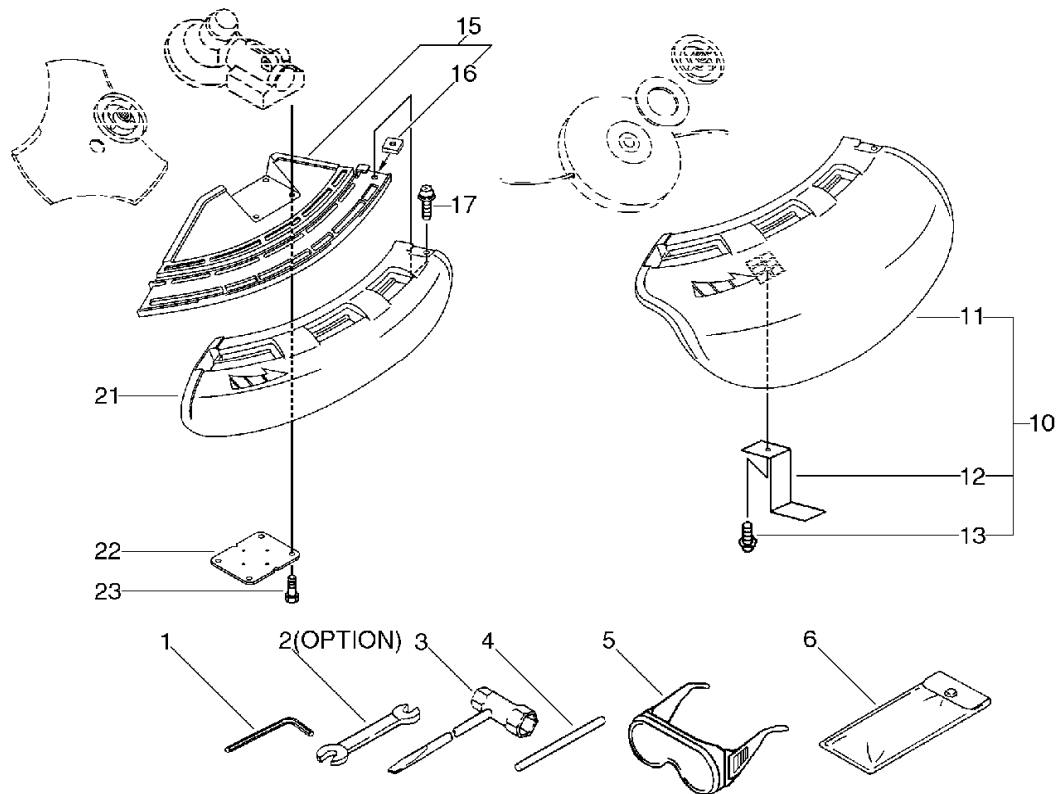


KEY	LV	PART NUMBER	Q'TY	DESCRIPTION	REMARKS	NOTE1	NOTE2
5		131300-56430	1	VALVE, CHECK			
6		132013-26630	2	CLIP	6.5MM		
7		132010-21160	1	PIPE, FUEL	3*6*35	Sus. by V471-001180	
7		V471-001180	1	PIPE	3*6*35 NBR		
8		132115-55930	1	GROMMET, FUEL			
9		V475-002240	1	TUBE			
10		131205-14930	1	STRAINER, FUEL			
11		132010-22130	1	PIPE, FUEL	3*6*150L NBR		
12		132010-53630	1	PIPE	3*6*180 NBR		
13		123181-39130	1	PUMP, PRIMER			
14		V471-000640	1	PIPE	2.38*4.76*105		
16		A393-000060	1	BRACKET, FUEL TANK			
17		131920-55430	4	CUSHION, FUEL TANK			
18		A350-000200	1	TANK, FUEL			
19		P021-004290	1	CAP ASY, FUEL TANK			
20	+	131016-55830	1	GASKET, FUEL CAP			
21	+	A365-000020	1	CONNECTOR, CAP			
22		A175-000010	1	STAND		Sus. by A175-000011	
22		A175-000011	1	STAND			
23		900106-05014	2	BOLT, H.S. 5*14	5*14		



## 5. Shield, Tools

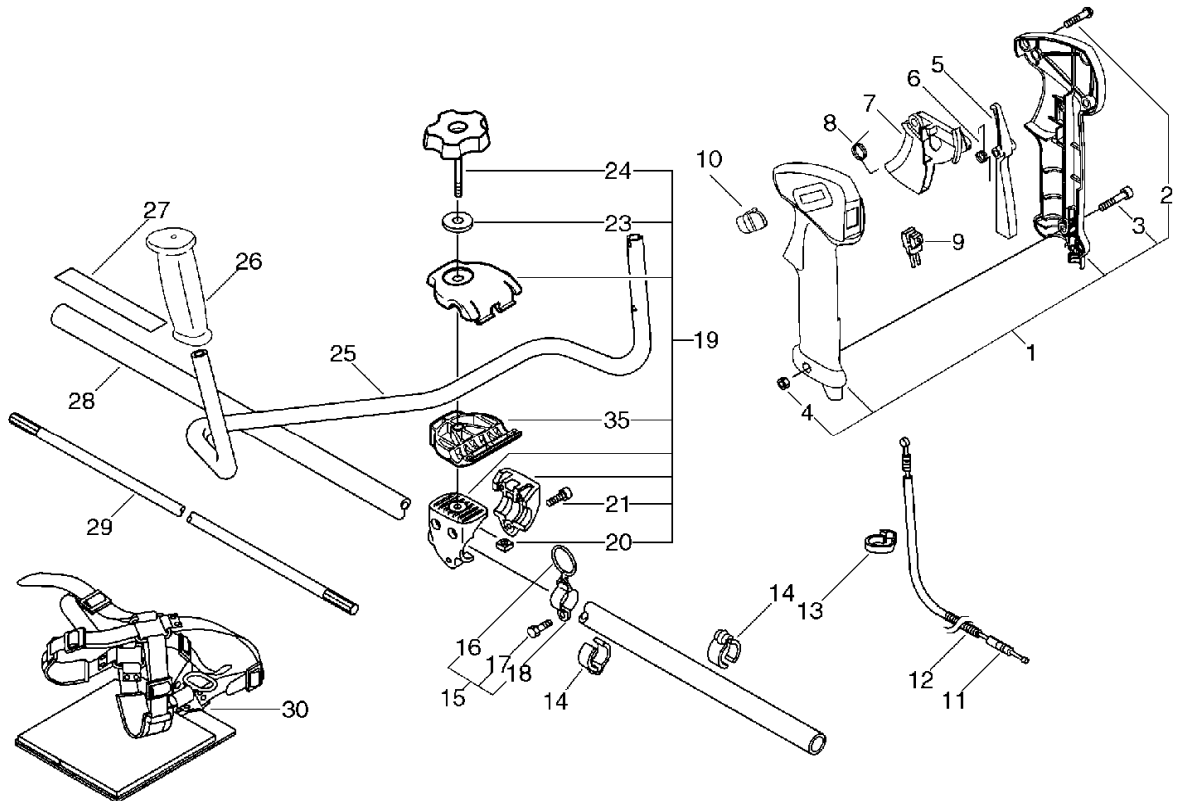
No.5



KEY	LV	PART NUMBER	Q'TY	DESCRIPTION	REMARKS	NOTE1	NOTE2
1		895610-00130	1	L-WRENCH (4MM)			
2		895112-00330	1	SPANNER 8*10		OPTION	
3		895410-08030	1	WRENCH, W/S. DRIVER		Sus. by X602-000020	
3		X602-000020	1	TOOL,WRENCH	17*19 L200		
4		897518-01131	1	LOCKING TOOL			
5		899580-68730	1	SAFETY GLASSES		Sus. by P021-002861	
5		P021-002861	1	GOGGLES			
6		898510-39130	1	BAG, TOOL			
10		P021-002620	1	SHIELD, BLADE(W/KNIFE)			
11	+	C550-000080	1	SHIELD, BLADE			
12	+	C554-000000	1	KNIFE, CORD			
13	+	900252-05012	1	SCREW 5*12	5*12		
15		C550-000100	1	SHIELD, BLADE			
16	+	900565-00005	1	NUT	5		
17		900242-05018	1	SCREW 5*18	5*18		
21		C550-000090	1	SHIELD, BLADE			
22		699013-56830	1	PLATE, SHIELD			
23		900162-05025	4	BOLT, H.S. 5*25	5*25 W, SW		

## 6. U-Handle(SRM-320)

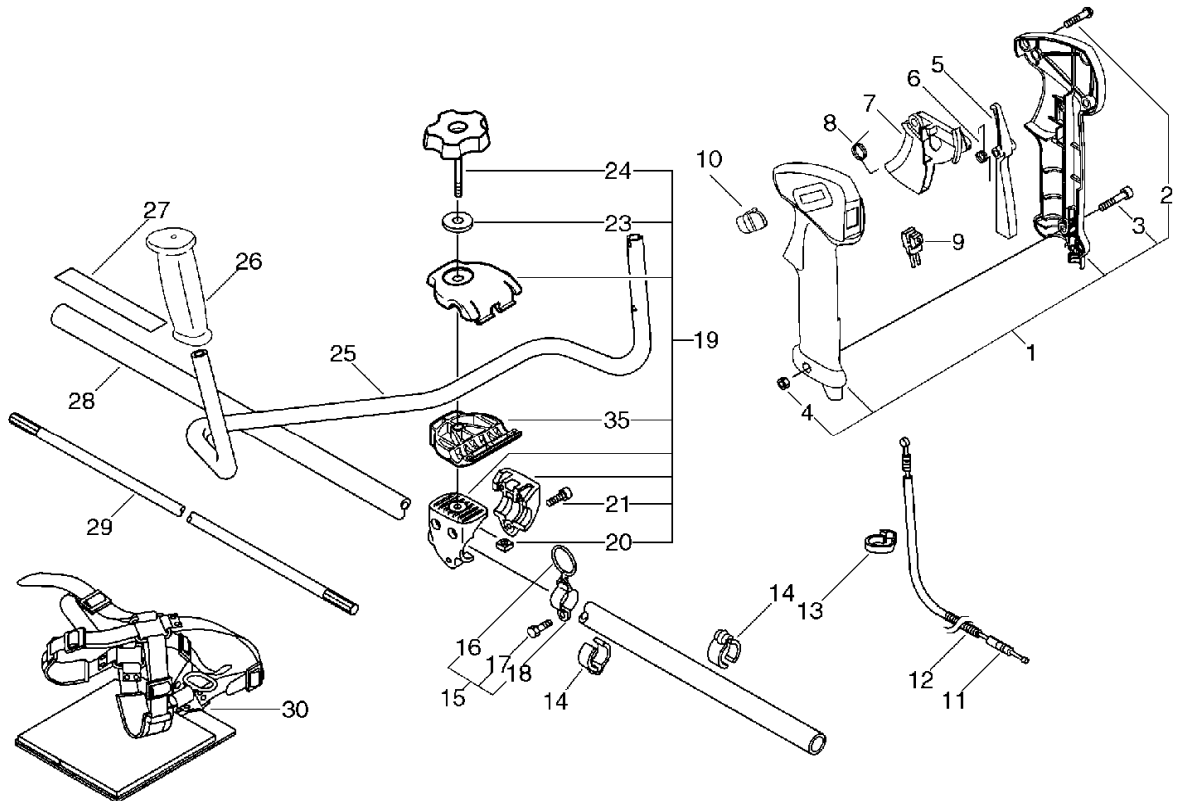
No.6



KEY	LV	PART NUMBER	Q'TY	DESCRIPTION	REMARKS	NOTE1	NOTE2
1		P021-002610	1	GRIP ASY,F-HANDLE		Sus. by P021-002612	
1		P021-002611	1	GRIP ASY,F-HANDLE		Sus. by P021-002612	
1		P021-002612	1	GRIP ASY,F-HANDLE			
2	+	900253-04016	3	SCREW 4*16	4*16		
3	+	900220-05030	1	SCREW 5*30	5*30		
4	+	900500-00005	1	NUT 5	5		
5		C460-000010	1	LOCKOUT,THROTTLE		Sus. by C460-000011	
5		C460-000011	1	LOCKOUT,THROTTLE			
6		V452-000050	1	SPRING,TORSION		Sr/Nr 35001599 and before	
6		V452-000130	1	SPRING,TORSION		Next production	
7		C450-000020	1	TRIGGER,THROTTLE		Sus. by C450-000022	
7		C450-000022	1	TRIGGER,THROTTLE			
8		V452-000060	1	SPRING,TORSION			
9		A440-000400	1	SWITCH,ON OFF			
10		C463-000000	1	KNOB,LATCH		Can be used P021-002611 only	
11		V430-000560	1	CABLE,BOWDEN		Sus. by V430-000561	
11		V430-000561	1	CABLE,BOWDEN			

## 6. U-Handle(SRM-320)

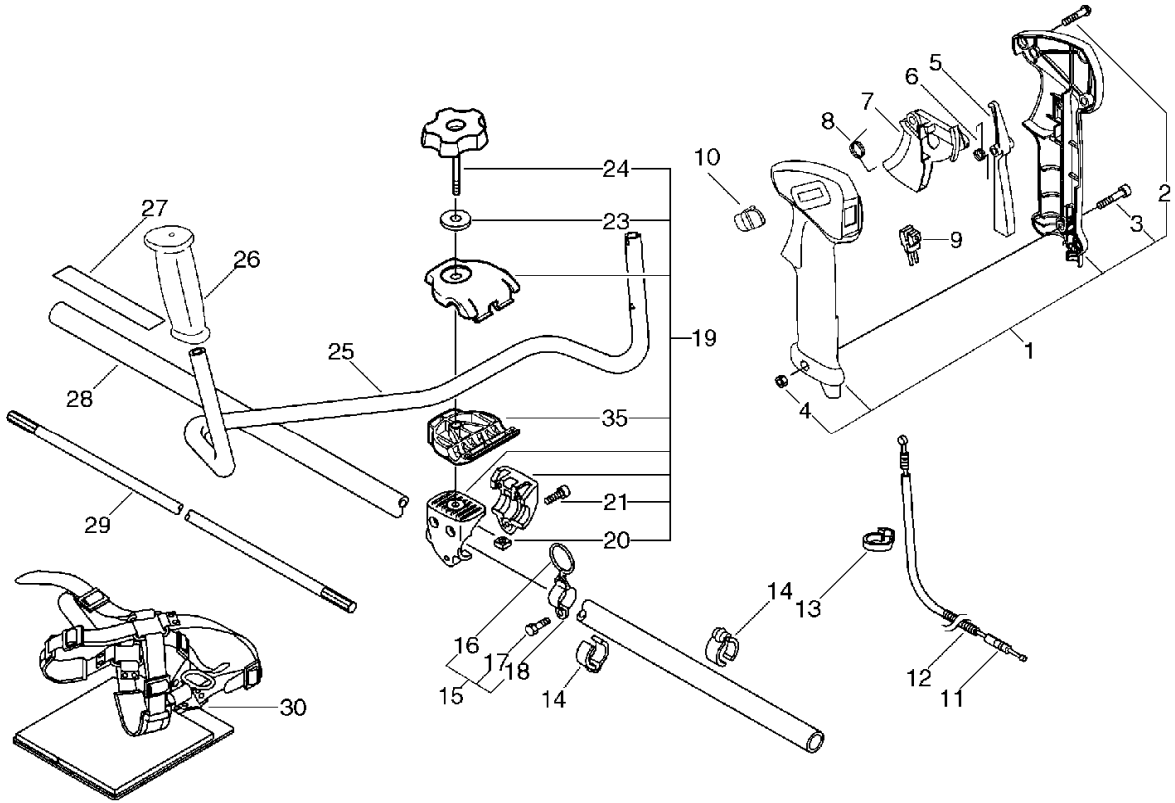
No.6



KEY	LV	PART NUMBER	Q'TY	DESCRIPTION	REMARKS	NOTE1	NOTE2
12		V475-002220	1	TUBE	7*680		
13		159112-09960	1	CLIP		Sus. by 159112-09961	
13		159112-09961	1	CLIP			
14		224924-52930	2	CLIP	28MM		
15		301200-05230	1	HOOK ASS'Y			
16	+	301015-05330	1	HOOK, BAND			
17	+	900105-05012	1	BOLT, H.S. 5*12	5*12		
18	+	301210-04630	1	HOOK			
19		P021-002760	1	BRACKET ASY, HANDLE		Sus. by P021-002761	
19		P021-002761	1	BRACKET ASY, HANDLE			
20	+	900565-50008	1	NUT	8*1.25		
21	+	900162-05030	3	BOLT, H.S. 5*30	5*30 W,SW		
23	+	605014-54230	1	WASHER			
24	+	V299-000110	1	KNOB,FASTENER			
35	+	C423-000041	1	FIXTURE,HANDLE			
25		C400-000000	1	HANDLE,FRONT			
26		C403-000030	1	GRIP,HANDLE		Sus. by C403-000031	
26		C403-000031	1	GRIP,HANDLE			
27		890617-43130	1	LABEL,CAUTION			
28		610206-55630	1	HOUSING ASSY, D.SHFT			
29		610011-49930	1	SHAFT, DRIVE			
30		301001-56831	1	HARNES ASY,SHOULDER		Sus. by C062-000191	

6. U-Handle(SRM-320)

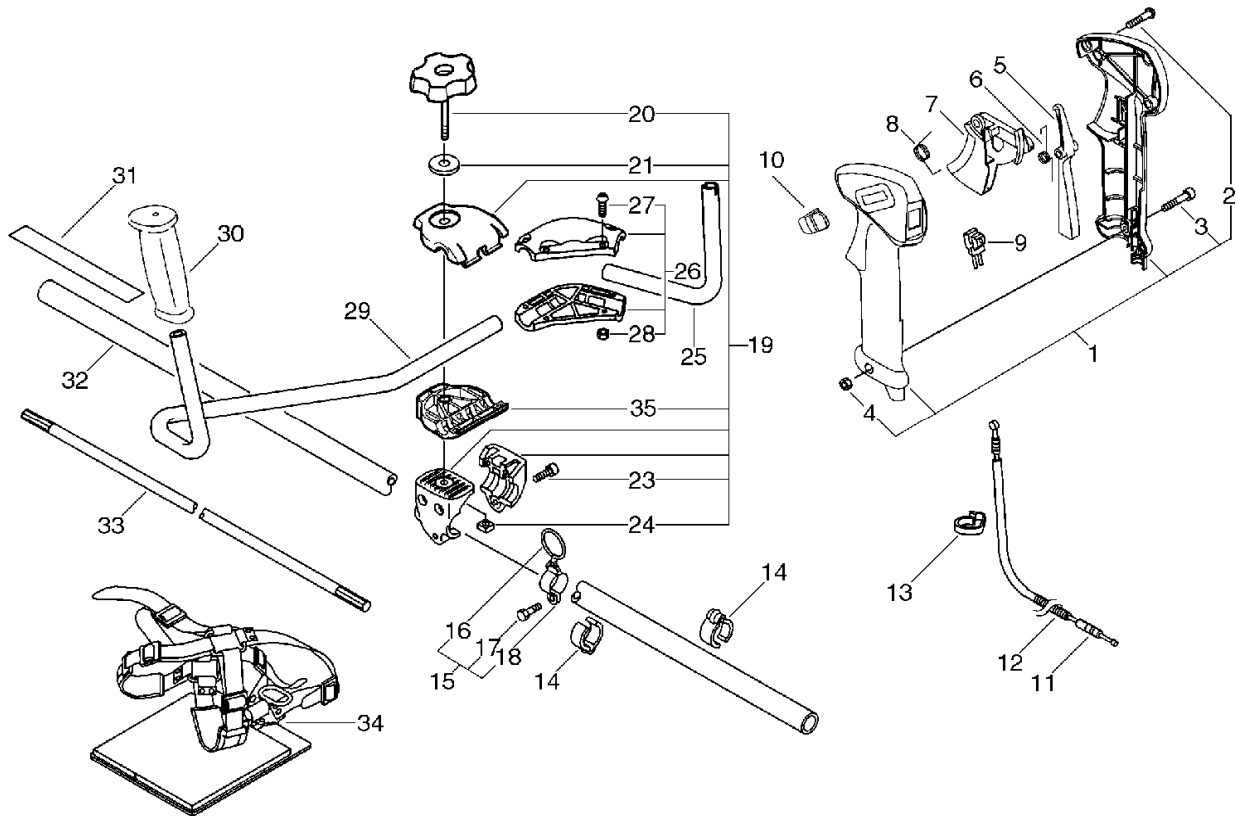
No.6



KEY	LV	PART NUMBER	Q'TY	DESCRIPTION	REMARKS	NOTE1	NOTE2
30		C062-000190	1	HARNES,SHOULDER	ECHO	Sus. by C062-000191	
30		C062-000191	1	HARNES,SHOULDER			

## 7. U-Handle(SRM-350)

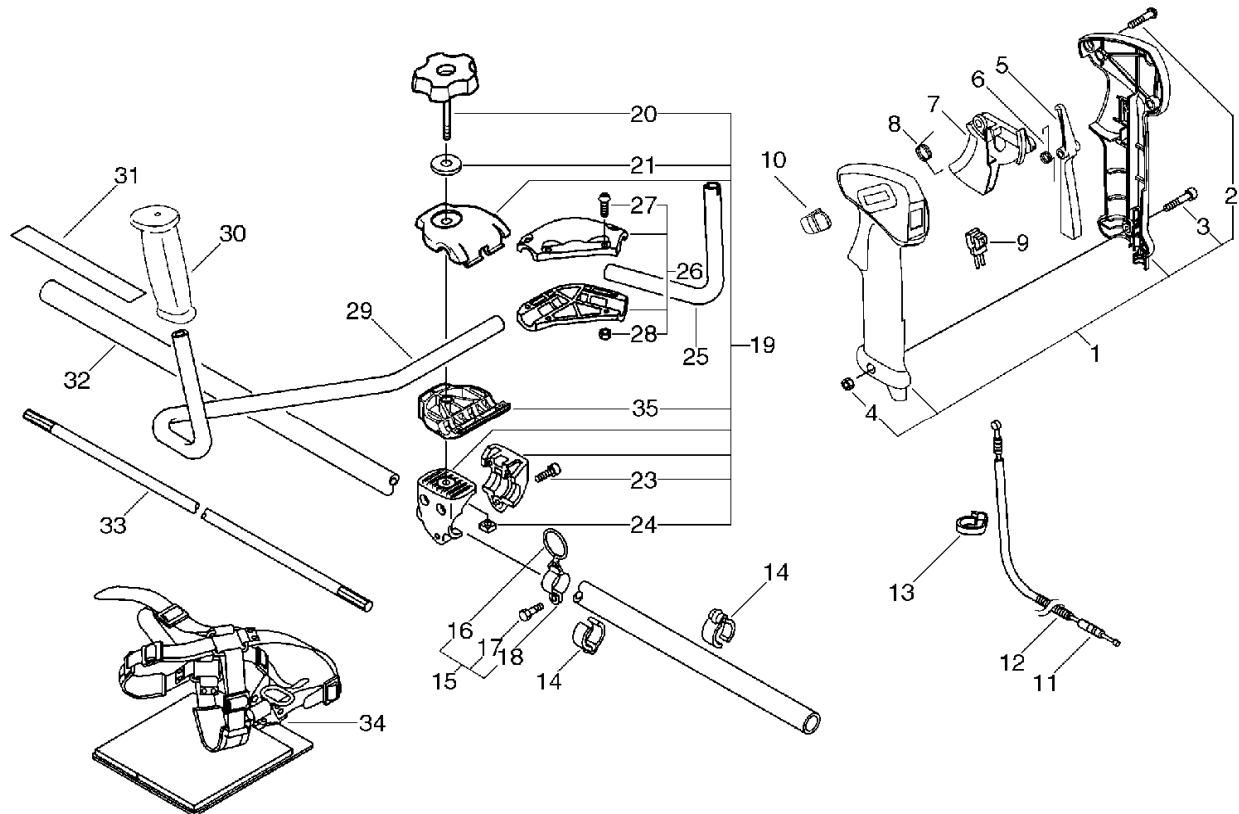
No.7



KEY	LV	PART NUMBER	Q'TY	DESCRIPTION	REMARKS	NOTE1	NOTE2
1		P021-002610	1	GRIP ASY,F-HANDLE		Sus. by P021-002611	
1		P021-002611	1	GRIP ASY,F-HANDLE			
2	+	900253-04016	3	SCREW 4*16	4*16		
3	+	900220-05030	1	SCREW 5*30	5*30		
4	+	900500-00005	1	NUT 5	5		
5		C460-000010	1	LOCKOUT,THROTTLE		Sus. by C460-000011	
5		C460-000011	1	LOCKOUT,THROTTLE			
6		V452-000050	1	SPRING,TORSION		Sr/Nr 35001750 and before	
6		V452-000130	1	SPRING,TORSION		Next production	
7		C450-000020	1	TRIGGER,THROTTLE		Sus. by C450-000022	
7		C450-000022	1	TRIGGER,THROTTLE			
8		V452-000060	1	SPRING,TORSION			
9		A440-000400	1	SWITCH,ON OFF			
10		C463-000000	1	KNOB,LATCH		Can be used P021-002611 only	
11		V430-000560	1	CABLE,BOWDEN		Sus. by V430-000561	
11		V430-000561	1	CABLE,BOWDEN			
12		V475-002220	1	TUBE	7*680		

## 7. U-Handle(SRM-350)

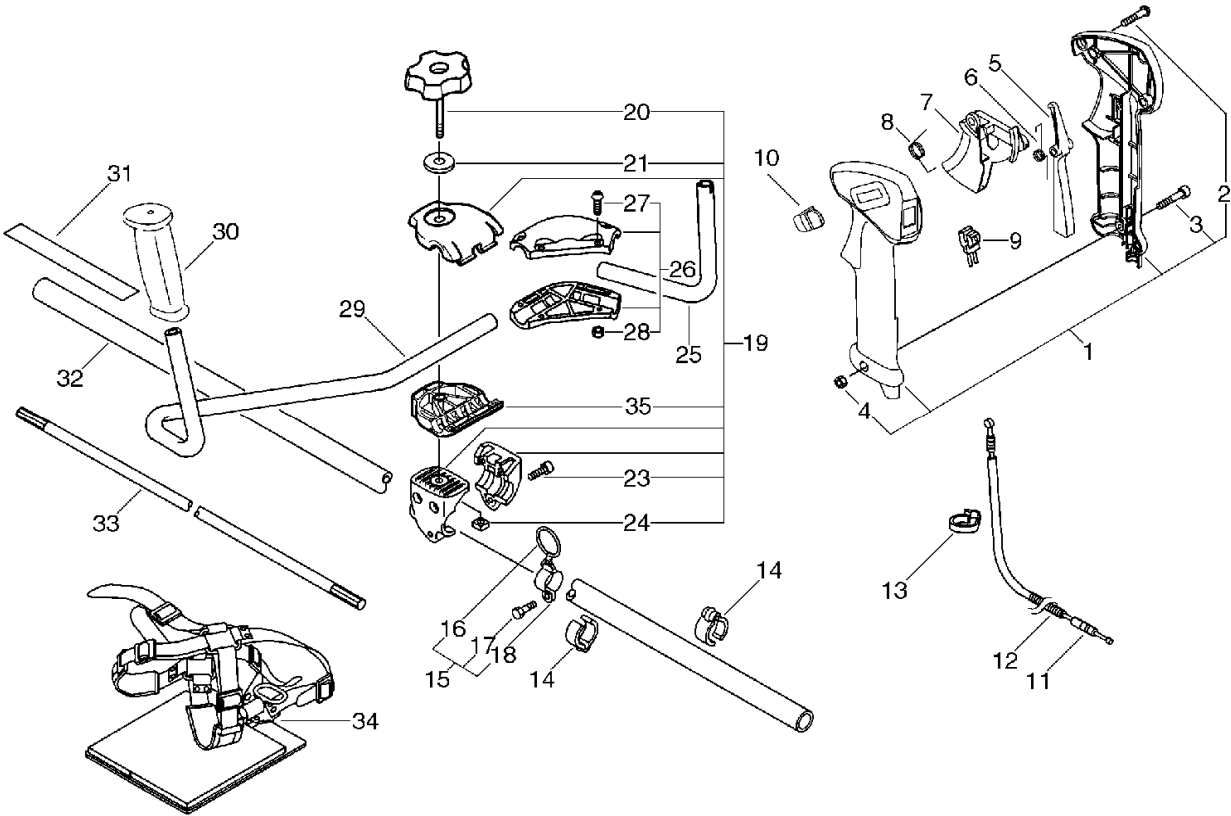
No.7



KEY	LV	PART NUMBER	Q'TY	DESCRIPTION	REMARKS	NOTE1	NOTE2
13		159112-09960	1	CLIP		Sus. by 159112-09961	
13		159112-09961	1	CLIP			
14		224924-52930	2	CLIP	28MM		
15		301200-05230	1	HOOK ASS'Y			
16	+	301015-05330	1	HOOK, BAND			
17	+	900105-05012	1	BOLT, H.S. 5*12	5*12		
18	+	301210-04630	1	HOOK			
19		P021-002760	1	BRACKET ASY, HANDLE		Sus. by P021-002761	
19		P021-002761	1	BRACKET ASY, HANDLE			
20	+	V299-000110	1	KNOB,FASTENER			
21	+	605014-54230	1	WASHER			
23	+	900162-05030	3	BOLT, H.S. 5*30	5*30 W,SW		
24	+	900565-50008	1	NUT	8*1.25		
35	+	C423-000041	1	FIXTURE,HANDLE			
25		351214-52931	1	HANDLE			
26		351202-51430	1	BRACKET ASSY, HANDLE			
27	+	900162-05020	4	BOLT, H.S. 5*20	5*20 W,SW		
28	+	900500-00005	4	NUT 5	5		
29		351010-52931	1	HANDLE, FRONT			
30		C403-000030	1	GRIP,HANDLE		Sus. by C403-000031	
30		C403-000031	1	GRIP,HANDLE			
31		890617-43130	1	LABEL,CAUTION			
32		610206-55630	1	HOUSING ASSY, D.SHFT			

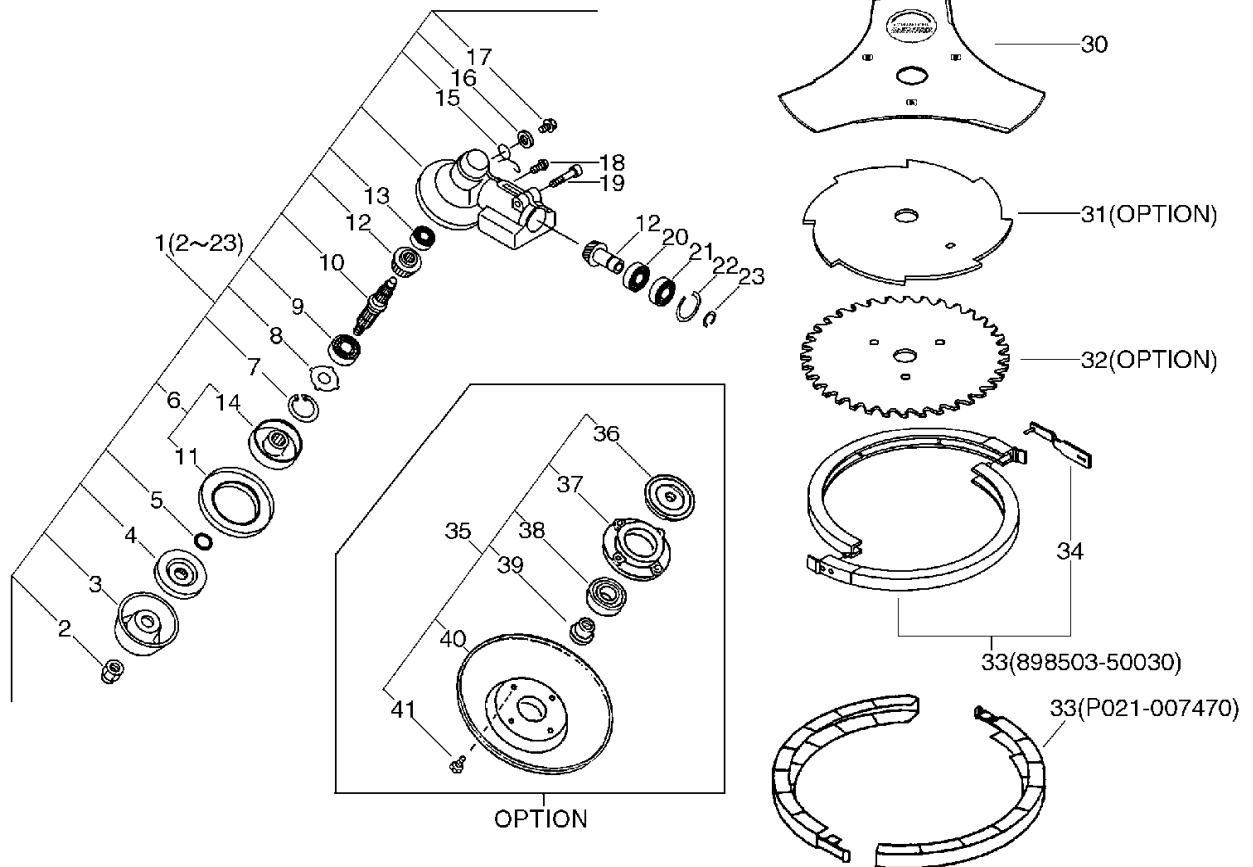
7. U-Handle(SRM-350)

No.7



KEY	LV	PART NUMBER	Q'TY	DESCRIPTION	REMARKS	NOTE1	NOTE2
33		610011-49930	1	SHAFT, DRIVE			
34		301001-56831	1	HARNESS ASY, SHOULDER		Sus. by C062-000191	
34		C062-000190	1	HARNESS, SHOULDER	ECHO	Sus. by C062-000191	
34		C062-000191	1	HARNESS, SHOULDER			

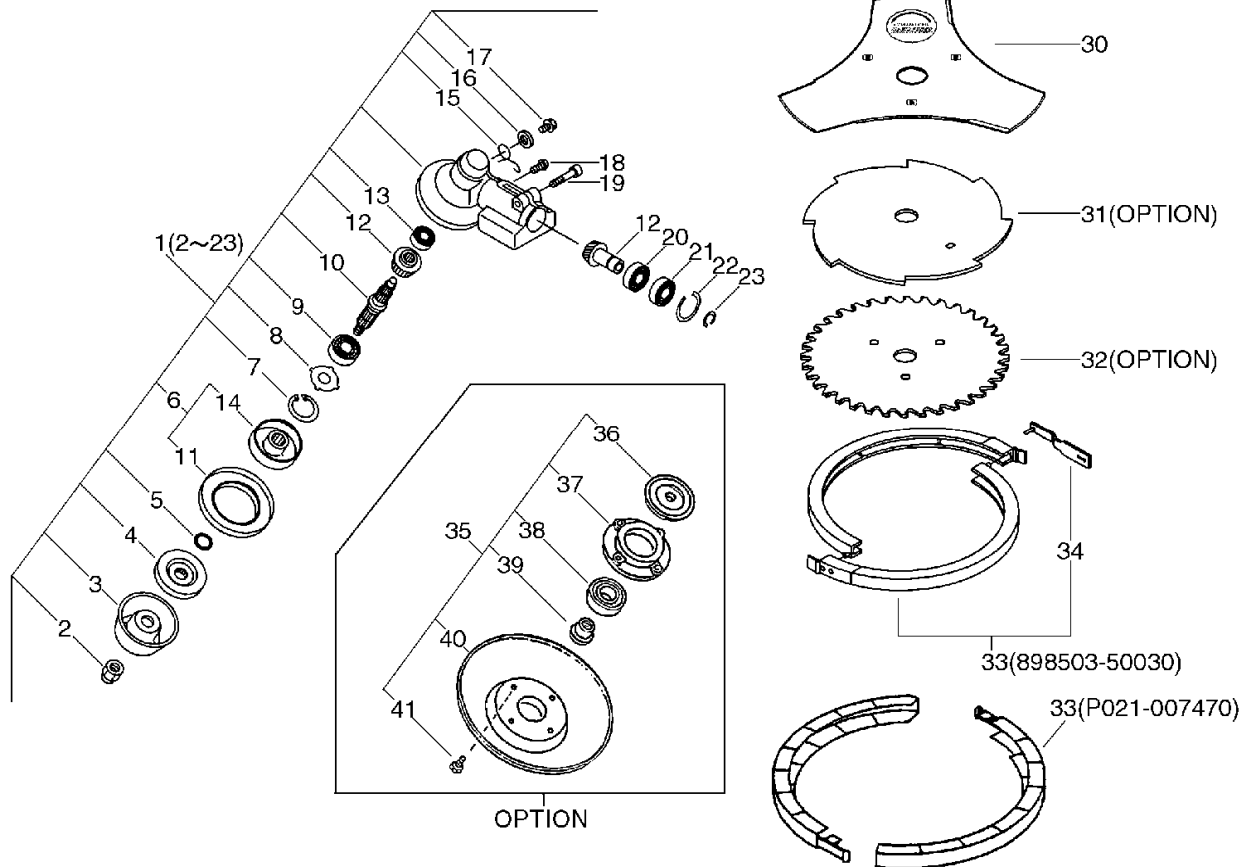
## 8. Gear Case(U-Handle Type), Blade No.8



KEY	LV	PART NUMBER	Q'TY	DESCRIPTION	REMARKS	NOTE1	NOTE2
1		610400-56931	1	CASE ASY, GEAR			
2	+	610320-52130	1	NUT 10			
3	+	699229-56830	1	PLATE, COVER			
4	+	610314-52130	1	PLATE, ADAPTER (L)			
5	+	900720-00012	1	O-RING 12	P-12		
6	+	C535-000000	1	FIXTURE, BLADE			
11	++	610352-56830	1	PLATE, CUP			
14	++	C535-000010	1	FIXTURE, BLADE			
7	+	900702-00032	1	CIRCLIP 32	CR-32		
8	+	610444-56830	1	WASHER			
9	+	900812-06201	1	BEARING, BALL 6201	6201DDU(LLU)		
10	+	610310-56930	1	SHAFT, P.T.O.			
12	+	610300-56930	1	GEAR SET			
13	+	900810-00629	1	BEARING, BALL 629	629		
15	+	610473-52131	1	SPRING			
16	+	900603-50008	1	WASHER	8.5*18*0.8T		
17	+	610434-50031	1	BOLT 8*8	M8*8		
18	+	900242-05010	1	SCREW 5*10	5*10		
19	+	900162-06030	1	BOLT, H.S. 6*30	6*30W, SW		
20	+	900800-06001	1	BEARING, BALL 6001	6001		
21	+	900803-06001	1	BEARING, BALL 6001	6001Z		
22	+	900702-00028	1	CIRCLIP 28	CR-28		
23	+	900701-00012	1	CIRCLIP 12	CS-12		
30		X405-000000	1	SAW, BUSH CUTTER	3*255*25.4*T2.0	Sus. by X405-000001	



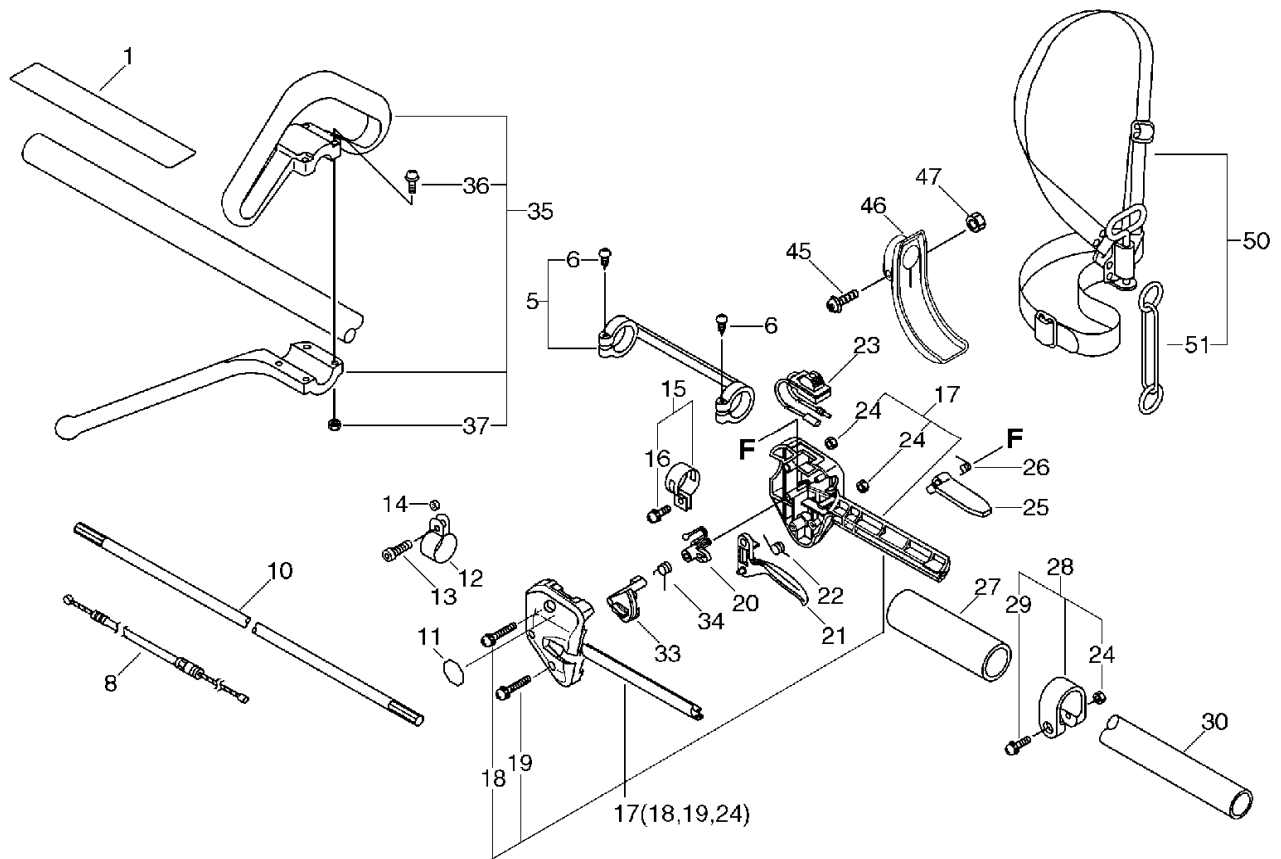
## 8. Gear Case(U-Handle Type), Blade No.8



KEY	LV	PART NUMBER	Q'TY	DESCRIPTION	REMARKS	NOTE1	NOTE2
30		X405-000001	1	SAW,BUSH CUTTER	3*255*25.4*T2.0		
33		898503-50030	1	SCABBARD KIT, BLADE		Sus. by P021007470	
33		P021-007470	1	SCABBARD, BLADE			
34	+	898562-43230	1	FIXTURE, SCABBARD		Can be used 898503-50030 only	
31		696001-55630	1	BLADE, 8-CUTTER 10IN		Sus. by 696001- 55631	
31		696001-55631	1	BLADE, 8-CUTTER 10IN	255*8T*1.4 PD25	OPTION	
32		695001-55630	1	SAW,CIRCULAR 10*80T		Sus. by 695001- 55631	
32		695001-55631	1	SAW, CIRCULAR 10*80T	255*80T*1.4 PD25	OPTION	
35		699200-56830	1	CAP ASSY, FREE		OPTION	
36	+	610313-56830	1	PLATE, ADAPTER (U)		OPTION	
37	+	699226-05430	1	HOLDER, BEARING		OPTION	
38	+	900814-06202	1	BEARING, BALL 6202	6202ZZ	OPTION	
39	+	699227-04630	1	NUT		OPTION	
40	+	699228-08930	1	PLATE, COVER		OPTION	
41	+	900141-05012	4	BOLT 5*12	5*12	OPTION	

## 9. Loop Handle

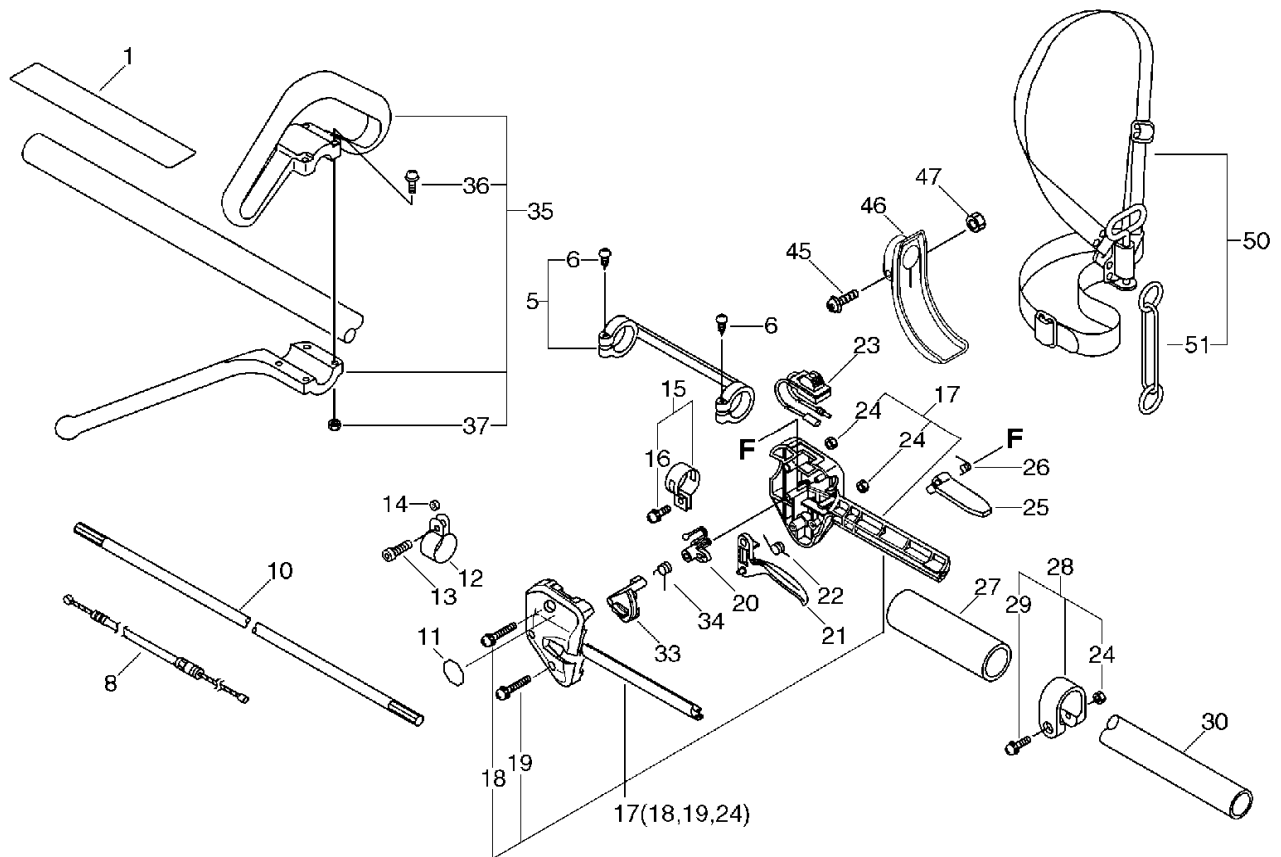
No.9



KEY	LV	PART NUMBER	Q'TY	DESCRIPTION	REMARKS	NOTE1	NOTE2
1		X505-000140	1	LABEL,CAUTION		Sus. by 890617-43130	
1		890617-43130	1	LABEL,CAUTION			
5		610281-42230	1	COLLER			
6	+	900253-04025	2	SCREW 4*25	4*25		
8		V430-000550	1	CABLE,BOWDEN			
10		610011-49930	1	SHAFT, DRIVE			
11		890157-39130	1	LABEL, SWITCH		Next production : Nil	
12		301207-07530	1	HOOK			
13		900105-05018	1	BOLT, H.S. 5*18	5*18		
14		699012-03330	1	SPACER			
15		301200-42230	1	HOOK ASSY			
16	+	900242-05014	1	SCREW 5*14	5*14		
17		178003-51830	1	BRACKET SET,THROTTLE		Sus. by P021-005890	
17		P021-005890	1	BRACKET SET,THROTTLE			
18	+	900242-05035	1	SCREW 5*35	5*35		
19	+	900242-05025	1	SCREW 5*25	5*25		
24	+	900500-00005	2	NUT 5	5		
20		178012-52630	1	LOCKOUT, THROTTLE		Sr/Nr 35001599 and before/SRM-320	
20		178012-52630	1	LOCKOUT, THROTTLE		Sr/Nr 35001750 and before/SRM-350	

## 9. Loop Handle

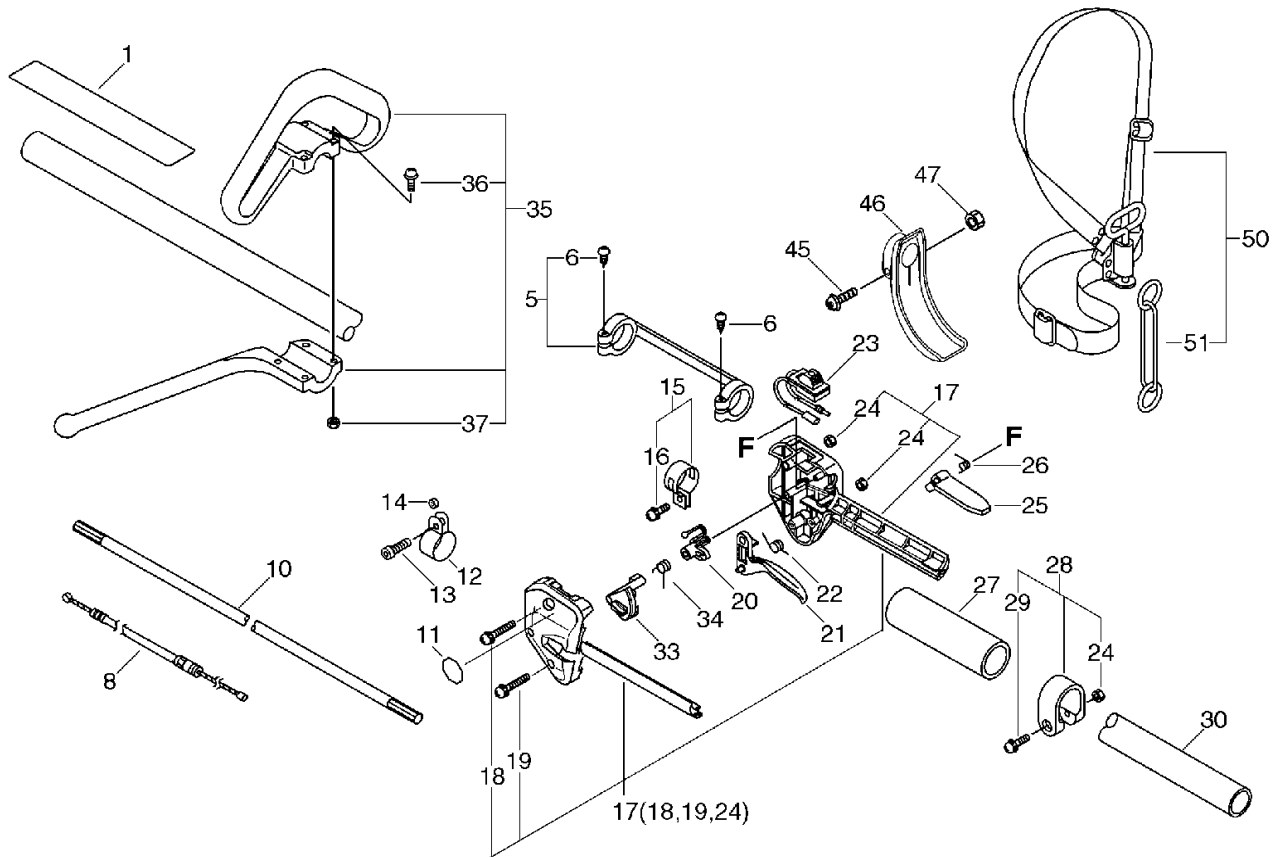
No.9



KEY	LV	PART NUMBER	Q'TY	DESCRIPTION	REMARKS	NOTE1	NOTE2
20		C461-000000	1	LATCH,THROTTLE		Next production	
21		178010-52130	1	CONTROL, THROTTLE		Sr/Nr 35001599 and before/SRM-320	
21		178010-52130	1	CONTROL, THROTTLE		Sr/Nr 35001750 and before/SRM-350	
21		C450-000110	1	TRIGGER,THROTTLE		Next production	
22		178043-42230	1	SPRING, THR. RETURN			
23		A440-000390	1	SWITCH,ON OFF			
25		178090-52630	1	LOCKOUT, T. CONTROL		Sus. by 178090-52632	
25		178090-52631	1	LOCKOUT, T. CONTROL		Sus. by 178090-52632	
25		178090-52632	1	LOCKOUT, T. CONTROL			
26		178013-52630	1	SPRING, THR. LOCK			
27		351213-51830	1	GRIP, FRONT HANDLE			
28		610272-51830	1	BAND			
24	+	900500-00005	1	NUT 5	5		
29	+	900242-05028	1	SCREW 5*28	5*28		
30		610206-55630	1	HOUSING ASSY, D.SHFT			
35		351201-55630	1	HANDLE ASSY, LOOP			
36	+	900242-05035	4	SCREW 5*35	5*35		
37	+	900500-00005	4	NUT 5	5		

# 9. Loop Handle

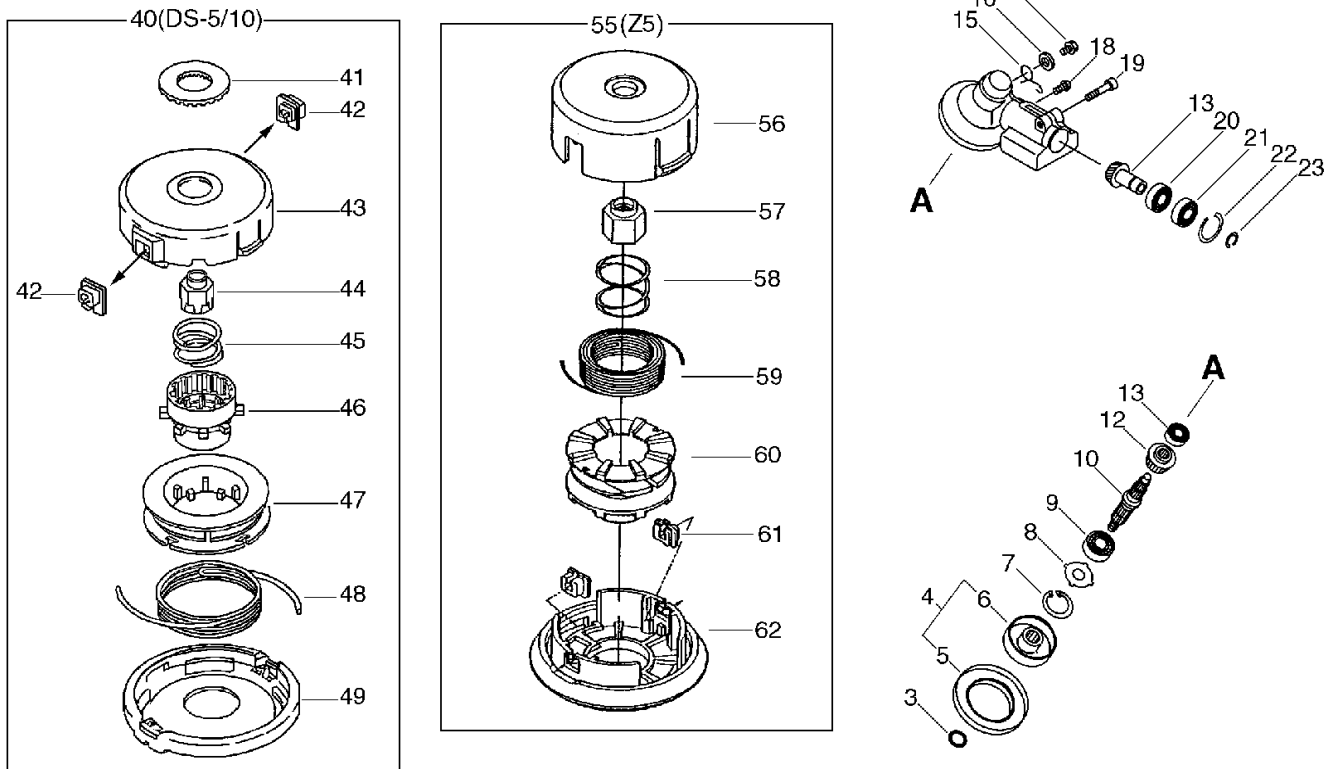
## No.9



KEY	LV	PART NUMBER	Q'TY	DESCRIPTION	REMARKS	NOTE1	NOTE2
45		900242-05025	1	SCREW 5*25	5*25		
46		A248-000000	1	GUARD,LEVER			
47		900500-00005	1	NUT 5	5		
50		301000-55230	1	HARNESS ASSY		Sus. by 301000-55231	
50		301000-55231	1	HARNESS ASY,SHOULDER			
51	+	301305-24330	1	LINK			
33		C461-000010	1	LATCH,THROTTLE		Can be used P021-005890 only	
34		V452-000120	1	SPRING,TORSION		Can be used P021-005890 only	

## 10. Gear Case(Loop Handle Type), Nylon Line Cutting Head

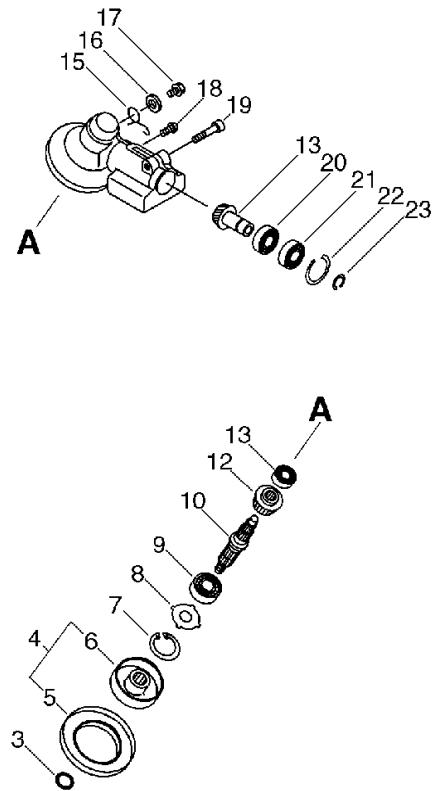
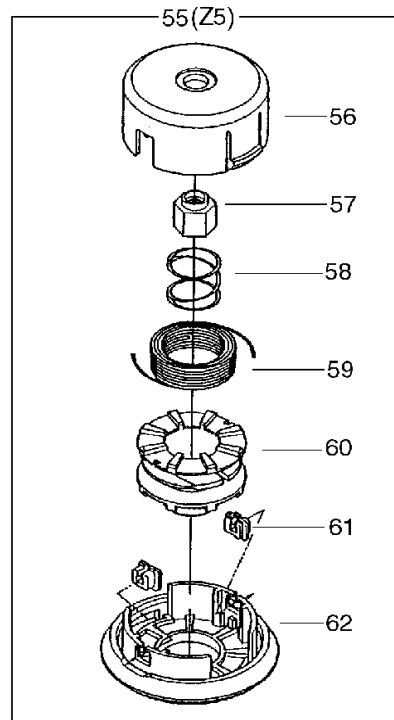
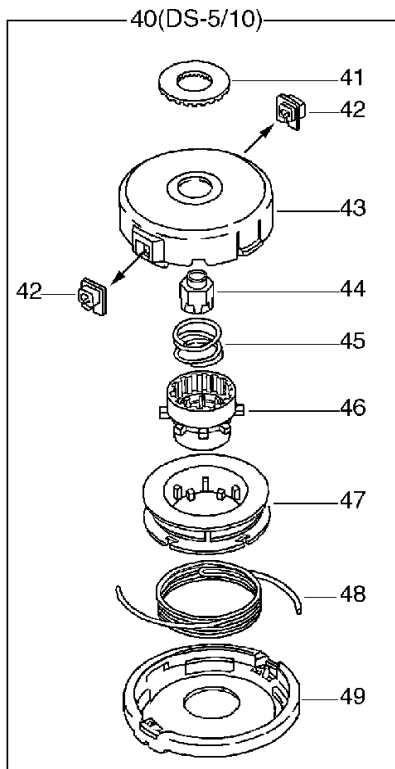
No.10



KEY	LV	PART NUMBER	Q'TY	DESCRIPTION	REMARKS	NOTE1	NOTE2
3		900720-00012	1	O-RING 12	P-12		
4		C535-000000	1	FIXTURE, BLADE			
5	+	610352-56830	1	PLATE, CUP			
6	+	C535-000010	1	FIXTURE, BLADE			
7		900702-00032	1	CIRCLIP 32	CR-32		
8		610444-56830	1	WASHER			
9		900812-06201	1	BEARING, BALL 6201	6201DDU(LLU)		
10		610310-56930	1	SHAFT, P.T.O.			
12		610300-56930	1	GEAR SET			
13		900810-00629	1	BEARING, BALL 629	629		
15		610473-52131	1	SPRING			
16		900603-50008	1	WASHER	8.5*18*0.8T		
17		610434-50031	1	BOLT 8*8	M8*8		
18		900242-05010	1	SCREW 5*10	5*10		
19		900162-06030	1	BOLT, H.S. 6*30	6*30W, SW		
20		900800-06001	1	BEARING, BALL 6001	6001		
21		900803-06001	1	BEARING, BALL 6001	6001Z		
22		900702-00028	1	CIRCLIP 28	CR-28		
23		900701-00012	1	CIRCLIP 12	CS-12		
40		X047-000070	1	CUTTER, ASM LINE	DS-5/10	Sus. by X047-000330	
40		X047-000220	1	CUTTER, ASM LINE	DS-5 M10L	Sus. by X047-000330 DS-5/10	
41	+	V332-000000	1	WASHER, CIRCULAR 24			
42	+	P022-000710	2	EYELET	T4		

## 10. Gear Case(Loop Handle Type), Nylon Line Cutting Head

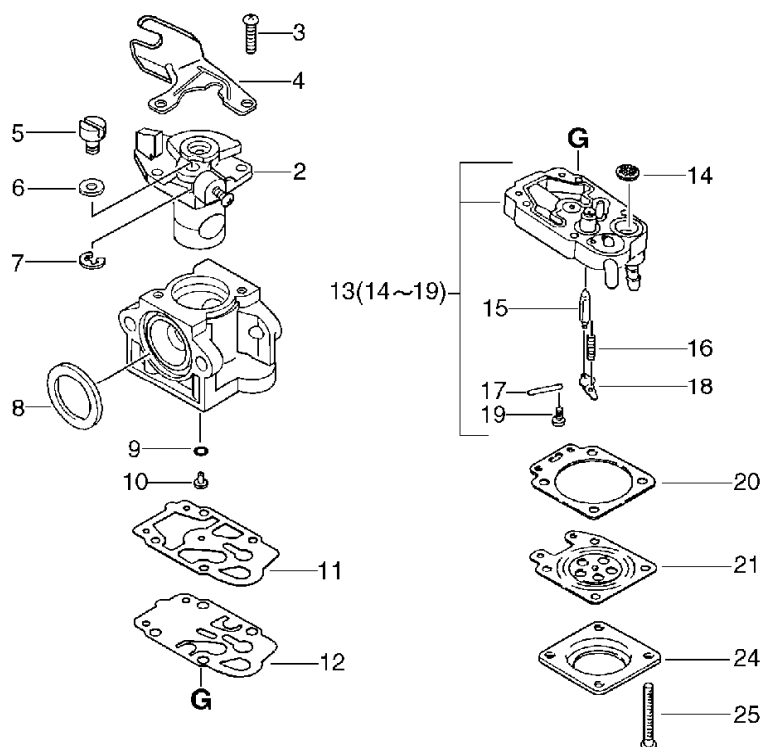
No.10



KEY	LV	PART NUMBER	Q'TY	DESCRIPTION	REMARKS	NOTE1	NOTE2
43	+	P022-005040	1	HOUSING			
44	+	P022-001160	1	NUT			
45	+	P022-001200	1	SPRING	DS-5/10		
46	+	P022-001310	1	TAP KNOB	DS-5/10		
47	+	P022-001180	1	BOBBIN	DS-5/10		
48	+	P022-000730	1	NYLON CODE	2.4*3M B4-K	Sus. by P022-006200	
48	+	P022-006200	1	NYLON CODE	3.0*3M		
49	+	P022-005030	1	COVER			
55		X047-000330	1	CUTTER,ASM LINE	Z-5 M10 L	Z5	
56	+	P022-010420	1	HOUSING			
57	+	P022-010390	1	NUT			
58	+	P022-010370	1	SPRING			
59	+	P022-010380	1	NYLON CODE			
60	+	P022-010400	1	BOBBIN			
61	+	P022-000710	2	EYELET	T4		
62	+	P022-010410	1	COVER			

## 11. Carburetor

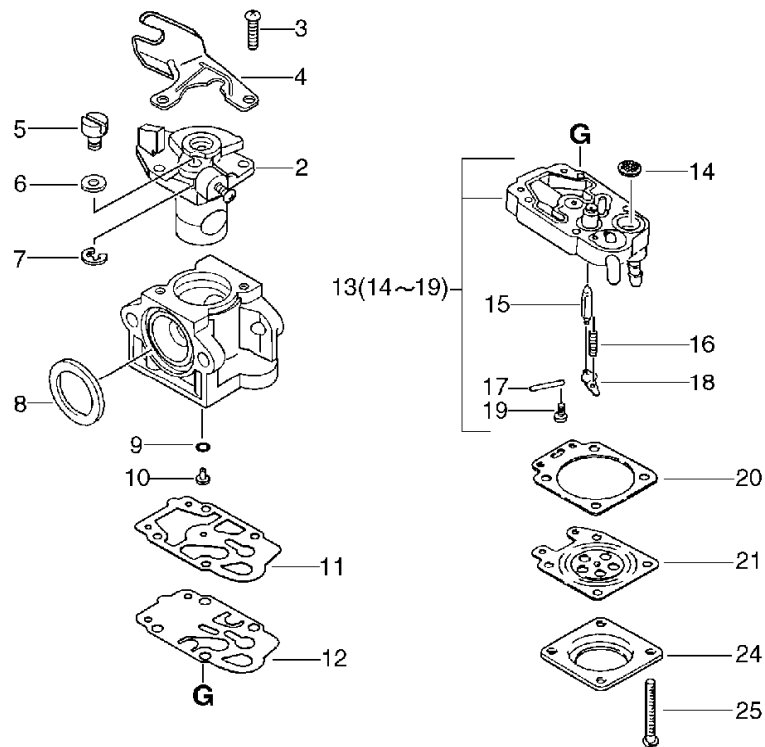
No.11



KEY	LV	PART NUMBER	Q'TY	DESCRIPTION	REMARKS	NOTE1	NOTE2
		A021-000420	1	CARBURETOR,DIAPHRAGM		Sus. by A021-000421	
		A021-000421	1	CARBURETOR,DIAPHRAGM	WYJ-312A	SRM-320	
		A021-000430	1	CARBURETOR,DIAPHRAGM		SRM-350 Sus. By A021-000431	
		A021-000431	1	CARBURETOR,DIAPHRAGM	WYJ-313A	SRM-350	
2	+	P003-000750	1	VALVE ASY THROTTLE		Can be used on A021-000420 and A021-000430	
3	+	123114-40630	2	SCREW			
4	+	P003-000180	1	BRACKET CABLE			
5	+	123172-45130	1	SWIVEL			
6	+	123149-54230	1	WASHER			
7	+	123173-07930	1	CLIP			
8	+	123143-12110	1	RING, PACKING			
9	+	123183-40630	1	O-RING			
10	+	P003-000740	1	JET		SRM-320	
10	+	P003-000730	1	JET		SRM-350 Sus. By A021-000431	
10	+	P003-001760	1	JET		SRM-350	
11	+	P003-000100	1	GASKET, PUMP			
12	+	123112-40630	1	DIAPHRAGM, PUMP			
13	+	P003-000720	1	BODY ASSEMBLY, PUMP			

## 11. Carburetor

No.11



KEY	LV	PART NUMBER	Q'TY	DESCRIPTION	REMARKS	NOTE1	NOTE2
14	++	123126-10631	1	SCREEN, INLET			
15	++	123137-19830	1	VALVE, INLET NEEDLE			
16	++	123122-05560	1	SPRING, METER. LEVER			
17	++	123138-03930	1	PIN, METERING LEVER			
18	++	123123-03930	1	LEVER, METERING			
19	++	123139-05560	1	SCREW, M. LEVER PIN			
20	+	123140-27230	1	GASKET, M. DIAPHRAGM			
21	+	P003-000090	1	METERING, DIAPHRAGM			
24	+	123142-03930	1	COVER, M. DIAPHRAGM			
25	+	123144-44330	4	SCREW			



**Index**

<b>Patrs Number</b>	<b>Key No.</b>	<b>Patrs Number</b>	<b>Key No.</b>	<b>Patrs Number</b>	<b>Key No.</b>
100000-55831	1 - 19	159112-09960	6 - 13	605014-54230	7 - 21
100000-55832	1 - 19	159112-09960	7 - 13	610011-49930	6 - 29
100011-16131	1 - 20	159112-09961	6 - 13	610011-49930	7 - 33
100011-42230	1 - 20	159112-09961	7 - 13	610011-49930	9 - 10
100012-16131	1 - 23	175005-49930	1 - 40	610206-55630	6 - 28
100013-27430	1 - 21	175018-49931	2 - 14	610206-55630	7 - 32
100014-53630	1 - 24	175018-49932	2 - 14	610206-55630	9 - 30
100015-03931	1 - 22	175046-46430	2 - 13	610272-51830	9 - 28
100100-55430	1 - 28	175048-05530	2 - 16	610281-42230	9 - 5
100142-12330	2 - 24	177202-41030	2 - 25	610300-56930	10 - 12
100204-55430	1 - 30	177215-43130	2 - 31	610300-56930	8 - 12
100213-05530	1 - 31	177218-40630	2 - 28	610310-56930	10 - 10
100215-03930	1 - 32	177220-40630	2 - 32	610310-56930	8 - 10
100242-55430	1 - 34	177228-27030	2 - 35	610313-56830	8 - 36
101010-55430	1 - 18	177234-40630	2 - 27	610314-52130	8 - 4
101100-37530	1 - 5	177236-44330	2 - 30	610320-52130	8 - 2
101113-37530	1 - 8	178003-51830	9 - 17	610352-56830	10 - 5
101119-37530	1 - 7	178010-52130	9 - 21	610352-56830	8 - 11
123112-40630	11 - 12	178010-52130	9 - 21	610400-56931	8 - 1
123114-40630	11 - 3	178012-52630	9 - 20	610434-50031	10 - 17
123122-05560	11 - 16	178012-52630	9 - 20	610434-50031	8 - 17
123123-03930	11 - 18	178013-52630	9 - 26	610444-56830	10 - 8
123126-10631	11 - 14	178043-42230	9 - 22	610444-56830	8 - 8
123137-19830	11 - 15	178081-55931	3 - 2	610473-52131	10 - 15
123138-03930	11 - 17	178090-52630	9 - 25	610473-52131	8 - 15
123139-05560	11 - 19	178090-52631	9 - 25	695001-55630	8 - 32
123140-27230	11 - 20	178090-52632	9 - 25	695001-55631	8 - 32
123142-03930	11 - 24	224924-52930	6 - 14	696001-55630	8 - 31
123143-12110	11 - 8	224924-52930	7 - 14	696001-55631	8 - 31
123144-44330	11 - 25	301000-55230	9 - 50	699012-03330	9 - 14
123149-54230	11 - 6	301000-55231	9 - 50	699013-56830	5 - 22
123172-45130	11 - 5	301001-56831	6 - 30	699200-56830	8 - 35
123173-07930	11 - 7	301001-56831	7 - 34	699226-05430	8 - 37
123181-39130	4 - 13	301015-05330	6 - 16	699227-04630	8 - 39
123183-40630	11 - 9	301015-05330	7 - 16	699228-08930	8 - 40
131016-55830	4 - 20	301200-05230	6 - 15	699229-56830	8 - 3
131205-14930	4 - 10	301200-05230	7 - 15	890157-39130	9 - 11
131300-56430	4 - 5	301200-42230	9 - 15	890617-43130	6 - 27
131920-55430	4 - 17	301207-07530	9 - 12	890617-43130	7 - 31
132010-21160	4 - 7	301210-04630	6 - 18	890617-43130	9 - 1
132010-22130	4 - 11	301210-04630	7 - 18	895112-00330	5 - 2
132010-53630	4 - 12	301305-24330	9 - 51	895410-08030	5 - 3
132013-26630	4 - 6	351010-52931	7 - 29	895610-00130	5 - 1
132115-55930	4 - 8	351201-55630	9 - 35	897518-01131	5 - 4
145610-55230	3 - 27	351202-51430	7 - 26	898503-50030	8 - 33
152626-55730	2 - 11	351213-51830	9 - 27	898510-39130	5 - 6
152801-55430	2 - 20	351214-52931	7 - 25	898562-43230	8 - 34
159010-10230	2 - 3	437412-16430	2 - 9	899580-68730	5 - 5
159025-37530	1 - 6	605014-54230	6 - 23	900105-05012	6 - 17

**Index**

<b>Patrs Number</b>	<b>Key No.</b>	<b>Patrs Number</b>	<b>Key No.</b>	<b>Patrs Number</b>	<b>Key No.</b>
900105-05012	7 - 17	900565-00005	5 - 16	A200-000090	3 - 6
900105-05018	9 - 13	900565-50008	6 - 20	A200-000100	3 - 9
900105-05060	3 - 15	900565-50008	7 - 24	A226-000140	3 - 16
900105-05060	3 - 30	900600-00005	3 - 29	A232-000150	3 - 18
900106-05012	1 - 10	900600-00008	2 - 19	A232-000151	3 - 18
900106-05012	3 - 23	900603-50008	10 - 16	A235-000100	3 - 20
900106-05012	3 - 32	900603-50008	8 - 16	A244-000010	3 - 14
900106-05014	4 - 23	900605-00008	2 - 18	A248-000000	9 - 46
900106-05016	2 - 36	900700-00004	2 - 26	A320-000130	3 - 31
900141-05012	8 - 41	900701-00012	10 - 23	A350-000200	4 - 18
900162-05012	1 - 51	900701-00012	1 - 44	A365-000020	4 - 21
900162-05012	3 - 28	900701-00012	8 - 23	A393-000060	4 - 16
900162-05020	1 - 2	900702-00028	10 - 22	A426-000000	2 - 2
900162-05020	1 - 46	900702-00028	1 - 41	A427-000000	2 - 1
900162-05020	2 - 12	900702-00028	8 - 22	A440-000390	9 - 23
900162-05020	7 - 27	900702-00032	10 - 7	A440-000400	6 - 9
900162-05025	3 - 5	900702-00032	8 - 7	A440-000400	7 - 9
900162-05025	5 - 23	900702-00045	1 - 49	A553-000000	2 - 15
900162-05028	1 - 50	900720-00012	10 - 3	C062-000190	6 - 30
900162-05030	1 - 35	900720-00012	8 - 5	C062-000190	7 - 34
900162-05030	6 - 21	900800-06001	10 - 20	C062-000191	6 - 30
900162-05030	7 - 23	900800-06001	8 - 20	C062-000191	7 - 34
900162-06030	10 - 19	900803-06001	10 - 21	C400-000000	6 - 25
900162-06030	8 - 19	900803-06001	8 - 21	C403-000030	6 - 26
900220-05030	6 - 3	900807-06001	1 - 42	C403-000030	7 - 30
900220-05030	7 - 3	900810-00629	10 - 13	C403-000031	6 - 26
900238-05010	2 - 21	900810-00629	8 - 13	C403-000031	7 - 30
900242-05010	10 - 18	900812-06201	10 - 9	C423-000041	6 - 35
900242-05010	8 - 18	900812-06201	8 - 9	C423-000041	7 - 35
900242-05014	9 - 16	900814-06202	8 - 38	C450-000020	6 - 7
900242-05018	5 - 17	94035-36201	1 - 33	C450-000020	7 - 7
900242-05025	9 - 19	A021-000420	11 -	C450-000022	6 - 7
900242-05025	9 - 45	A021-000420	3 - 8	C450-000022	7 - 7
900242-05028	9 - 29	A021-000421	11 -	C450-000110	9 - 21
900242-05035	9 - 18	A021-000421	3 - 8	C460-000010	6 - 5
900242-05035	9 - 36	A021-000430	11 -	C460-000010	7 - 5
900252-05012	5 - 13	A021-000430	3 - 8	C460-000011	6 - 5
900253-04016	6 - 2	A021-000431	11 -	C460-000011	7 - 5
900253-04016	7 - 2	A021-000431	3 - 8	C461-000000	9 - 20
900253-04025	9 - 6	A051-000280	2 - 29	C461-000010	9 - 33
900500-00005	6 - 4	A101-000080	1 - 20	C463-000000	6 - 10
900500-00005	7 - 4	A130-000320	1 - 3	C463-000000	7 - 10
900500-00005	7 - 28	A130-000330	1 - 3	C535-000000	10 - 4
900500-00005	9 - 24	A130-000331	1 - 3	C535-000000	8 - 6
900500-00005	9 - 24	A160-000390	1 - 9	C535-000010	10 - 6
900500-00005	9 - 37	A160-000391	1 - 9	C535-000010	8 - 14
900500-00005	9 - 47	A172-000260	1 - 45	C550-000080	5 - 11
900502-00006	3 - 11	A175-000010	4 - 22	C550-000090	5 - 21
900502-00008	2 - 17	A175-000011	4 - 22	C550-000100	5 - 15

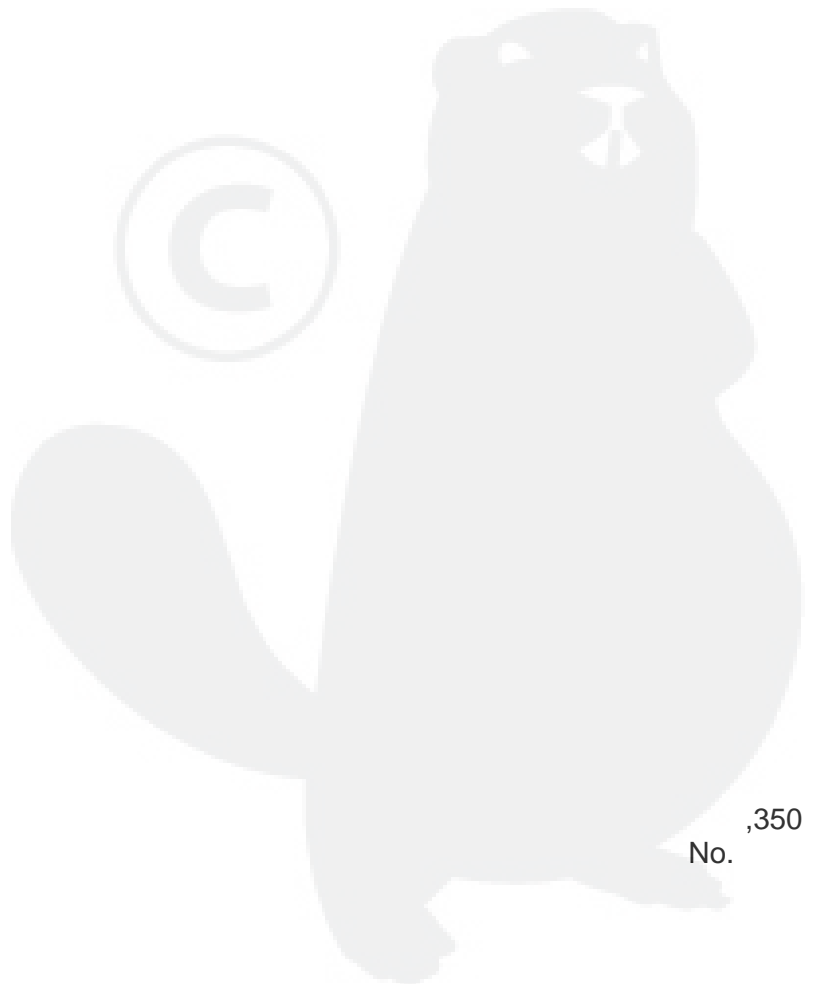
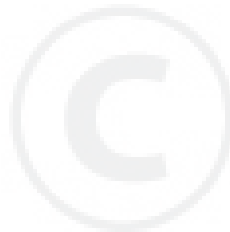
**Index**

<b>Patrs Number</b>	<b>Key No.</b>	<b>Patrs Number</b>	<b>Key No.</b>	<b>Patrs Number</b>	<b>Key No.</b>
C554-000000	5 - 12	V299-000110	6 - 24		
J485-000030	3 - 19	V299-000110	7 - 20		
P003-000090	11 - 21	V306-000121	1 - 25		
P003-000100	11 - 11	V332-000000	10 - 41		
P003-000180	11 - 4	V354-000110	2 - 34		
P003-000720	11 - 13	V420-000420	1 - 48		
P003-000730	11 - 10	V420-000640	3 - 21		
P003-000740	11 - 10	V430-000540	3 - 12		
P003-000750	11 - 2	V430-000550	9 - 8		
P003-001760	11 - 10	V430-000560	6 - 11		
P021-002610	6 - 1	V430-000560	7 - 11		
P021-002610	7 - 1	V430-000561	6 - 11		
P021-002611	6 - 1	V430-000561	7 - 11		
P021-002611	7 - 1	V452-000050	6 - 6		
P021-002612	6 - 1	V452-000050	7 - 6		
P021-002620	5 - 10	V452-000060	6 - 8		
P021-002760	6 - 19	V452-000060	7 - 8		
P021-002760	7 - 19	V452-000120	9 - 34		
P021-002761	6 - 19	V452-000130	6 - 6		
P021-002761	7 - 19	V452-000130	7 - 6		
P021-002861	5 - 5	V471-000640	4 - 14		
P021-003080	1 - 19	V471-001180	4 - 7		
P021-003081	1 - 19	V475-002210	3 - 13		
P021-004280	3 - 10	V475-002220	6 - 12		
P021-004290	4 - 19	V475-002220	7 - 12		
P021-005890	9 - 17	V475-002240	4 - 9		
P021-006802	1 - 19	V485-000230	2 - 22		
P021-007410	1 - 19	V485-000240	2 - 23		
P021-007470	8 - 33	X047-000070	10 - 40		
P022-000710	10 - 42	X047-000220	10 - 40		
P022-000710	10 - 61	X047-000330	10 - 55		
P022-000730	10 - 48	X405-000000	8 - 30		
P022-001160	10 - 44	X405-000001	8 - 30		
P022-001180	10 - 47	X502-000070	2 - 37		
P022-001200	10 - 45	X503-003190	1 - 1		
P022-001310	10 - 46	X503-003200	1 - 1		
P022-005030	10 - 49	X505-000140	9 - 1		
P022-005040	10 - 43	X602-000020	5 - 3		
P022-005090	2 - 33				
P022-006200	10 - 48				
P022-010370	10 - 58				
P022-010380	10 - 59				
P022-010390	10 - 57				
P022-010400	10 - 60				
P022-010410	10 - 62				
P022-010420	10 - 56				
V103-000150	3 - 3				
V103-000160	3 - 7				
V104-000330	3 - 22				

# YAMABIKO CORPORATION

7-2 SUEHIROCHO 1-CHOME, OHME, TOKYO 198-8760, JAPAN  
PHONE: 81-428-32-6118. FAX: 81-428-32-6145.

**ECHO**®



No. ,350