



PARTS CATALOG

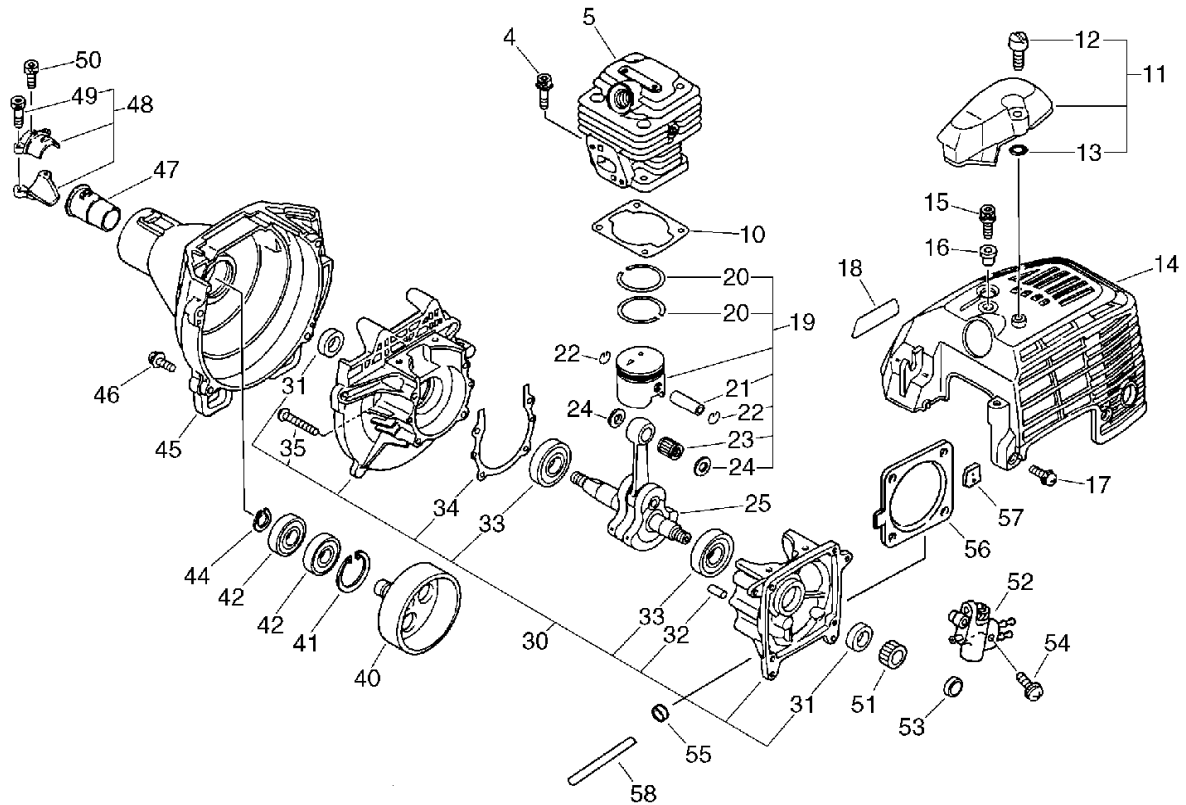
GRASS-TRIMMER / BRUSHCUTTER

SRM-315SL

SRM-315SL

1. Cylinder, Crankcase, Piston, Fan Cover

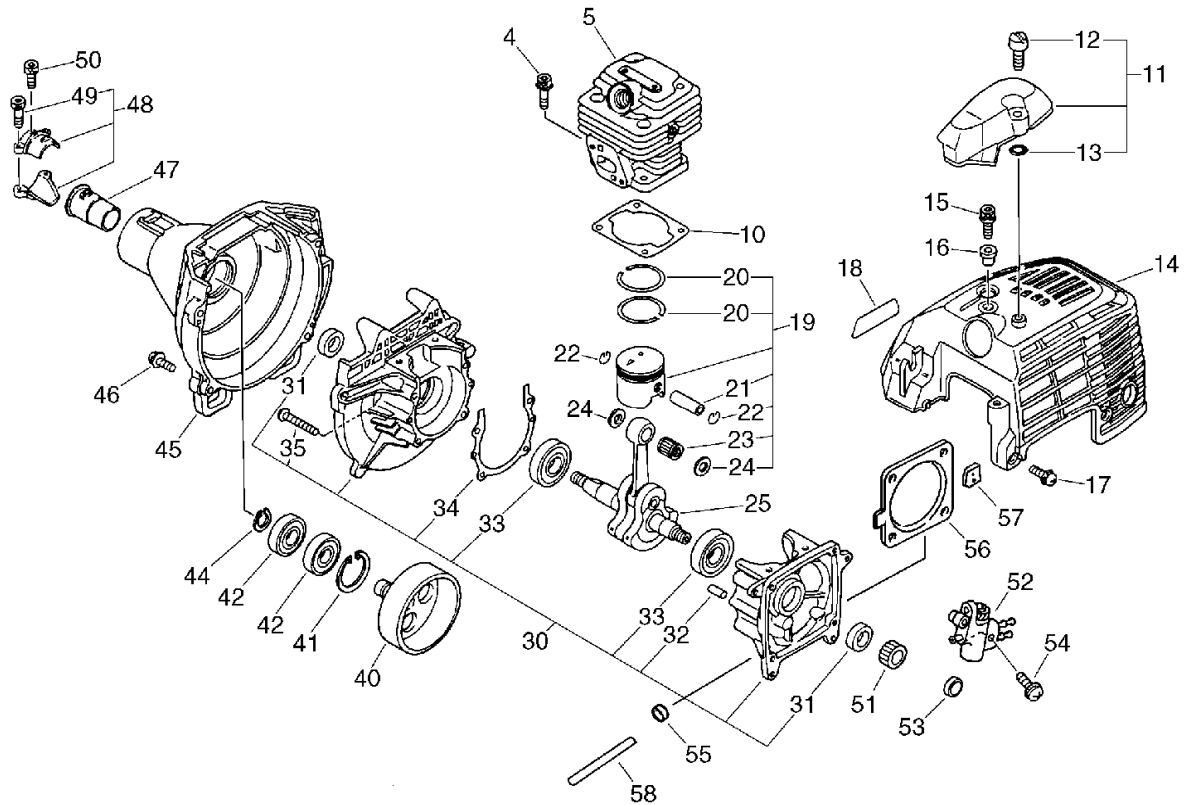
No.1



KEY	LV	PART NUMBER	Q'TY	DESCRIPTION	REMARKS	NOTE1	NOTE2
4		900162-05020	4	BOLT, H.S. 5*20	5*20 W,SW		
5		101034-55630	1	CYLINDER			
10		101010-55430	1	GASKET, CYL. BASE			
11		159902-55230	1	GUARD KIT, TOP			
12	+	352325-55230	1	KNOB, FASTENER			
13	+	900720-00004	1	O-RING (P-4)	P-4		
14		101514-55630	1	COVER, CYLINDER			
15		900162-05020	1	BOLT, H.S. 5*20	5*20 W,SW		
16		101531-55230	1	COLLAR			
17		900162-05012	2	BOLT, H.S. 5*12	5*12 W,SW		
18		890115-62530	1	LABEL, MODEL			
19		100000-55430	1	PISTON KIT		Sus. by 100000-55431	
19		100000-55431	1	PISTON KIT			
20	+	100011-16131	2	RING, PISTON			
21	+	100013-27430	1	PIN, PISTON			
22	+	100015-03930	2	CIRCLIP, PISTON PIN		Sus. by 100015-03931	
22	+	100015-03931	2	CIRCLIP, PISTON PIN			
23	+	100012-16131	1	BEARING, NEEDLE			
24	+	100014-53630	2	SPACER, PISTON PIN			
25		100100-56930	1	CRANKSHAFT ASSY			
30		100204-56930	1	CRANKCASE KIT			
31	+	100213-05530	2	OILSEAL	ISCD 12 22 7		
32	+	100215-03930	4	PIN, DOWEL			

1. Cylinder, Crankcase, Piston, Fan Cover

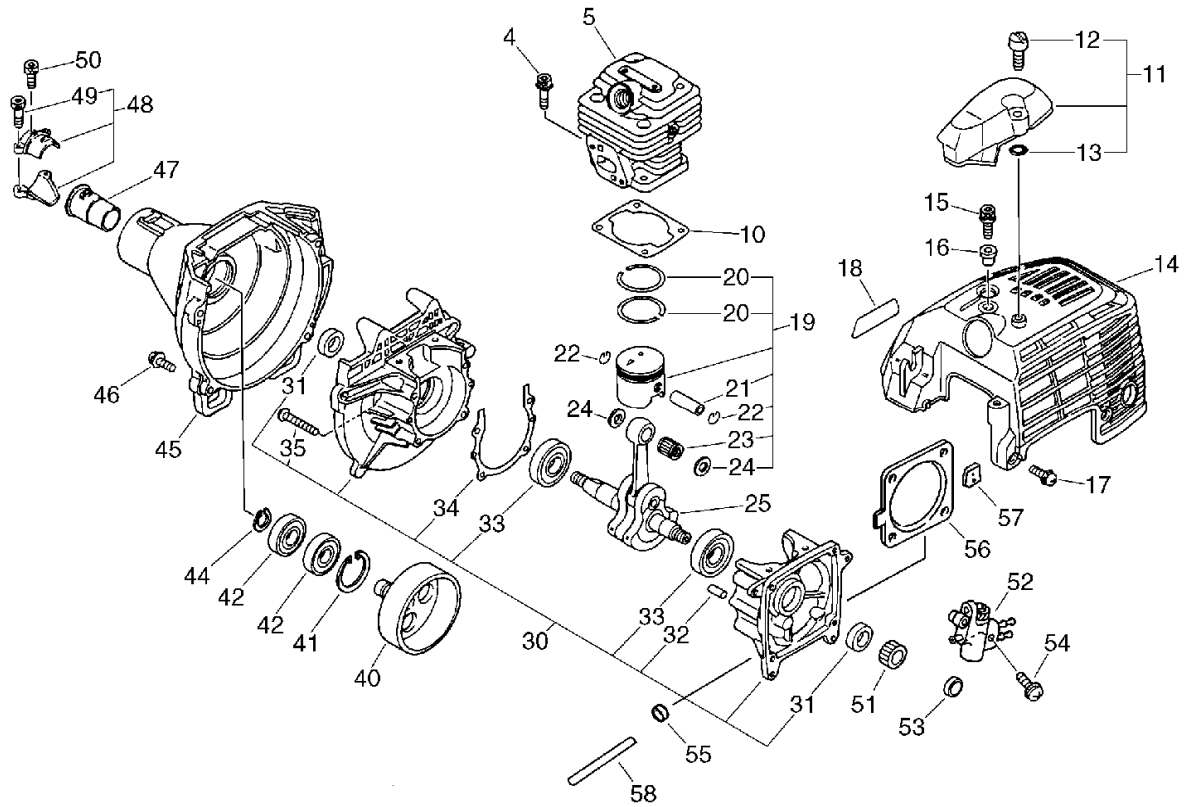
No.1



KEY	LV	PART NUMBER	Q'TY	DESCRIPTION	REMARKS	NOTE1	NOTE2
33	+	900810-36201	2	BEARING, BALL 6201	6201/C3	Sus. by 94035-36201	
33	+	94035-36201	2	BEARING BALL	6201X3JR2C3		
34	+	100242-55430	1	GASKET, CRANKCASE			
35	+	900162-05030	4	BOLT, H.S. 5*30	5*30 W,SW		
40		175005-49930	1	DRUM, CLUTCH			
41		900702-00028	1	CIRCLIP 28	CR-28		
42		900807-06001	2	BEARING, BALL 6001	6001V(LB)		
44		900701-00012	1	CIRCLIP 12	CS-12		
45		101511-55430	1	COVER, FAN			
46		900162-05020	4	BOLT, H.S. 5*20	5*20 W,SW		
47		610910-55630	1	CUSHION		Sus. by 610910-51830	
47		610910-51830	1	CUSHION			
48		610903-55630	1	HOLDER KIT			
49	+	900162-05025	2	BOLT, H.S. 5*25	5*25 W,SW		
50		900162-05012	1	BOLT, H.S. 5*12	5*12 W,SW		
51		437063-50430	1	GEAR, WORM			
52		437002-49930	1	AUTO-OILER ASSEMBLY		Sus. by 437002-49931	
52		437002-49931	1	AUTO-OILER ASSEMBLY			
53		100127-50430	1	COLLAR 8			
54		900240-04016	2	SCREW 4*16	4*16		
55		178810-03930	1	GROMMET			
56		101586-56930	1	SPACER			
57		437243-56930	1	GROMMET, OIL			

1. Cylinder, Crankcase, Piston, Fan Cover

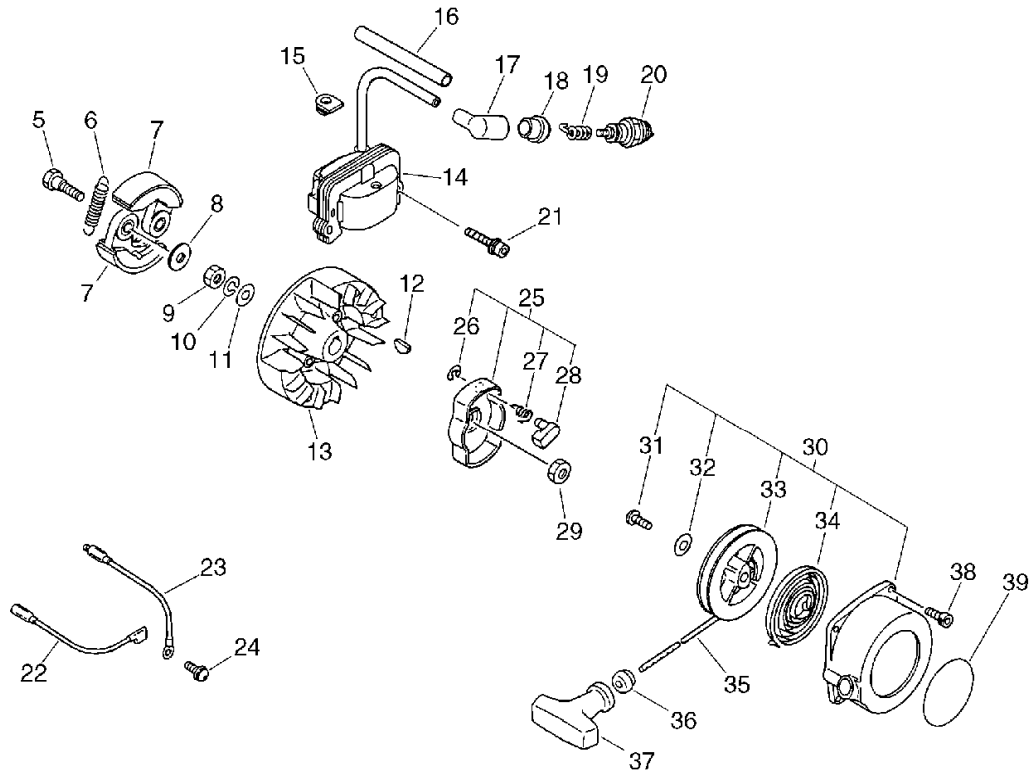
No.1



KEY	LV	PART NUMBER	Q'TY	DESCRIPTION	REMARKS	NOTE1	NOTE2
58		132717-34330	1	PIPE, 2*4*115	2*4*115		

2. Starter, Magneto, Clutch

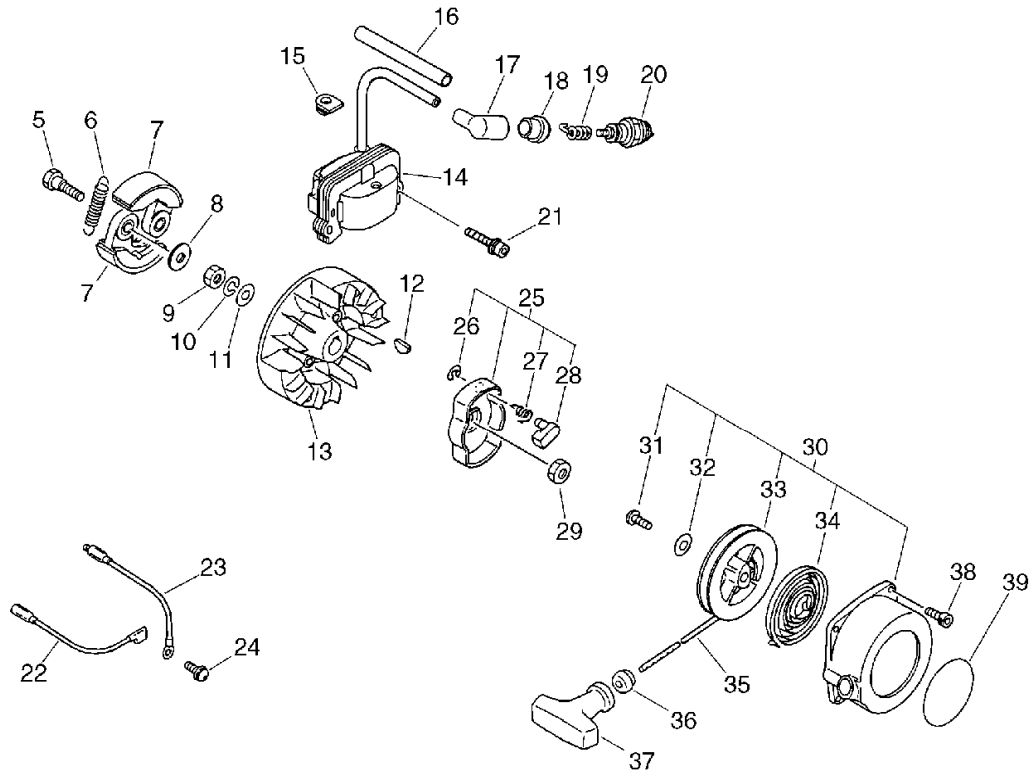
No.2



KEY	LV	PART NUMBER	Q'TY	DESCRIPTION	REMARKS	NOTE1	NOTE2
5		175046-46430	2	BOLT, CLUTCH			
6		175018-49931	1	SPRING, CLUTCH		Sus. by 175018-49932	
6		175018-49932	1	SPRING, CLUTCH			
7		175009-49930	2	SHOE, CLUTCH		Sus. by A553-000000	
7		A553-000000	2	ARM, CLUTCH			
8		175048-05530	2	WASHER (I)	6.2*19*1.0		
9		900502-00008	1	NUT 8 (3N)	3N8		
10		900605-00008	1	WASHER, SPRING 8	8		
11		900600-00008	1	WASHER 8	8		
12		100142-12330	1	KEY, WOODRUFF			
13		152801-55430	1	ROTOR, MAGNET			
14		152626-55430	1	COIL, IGNITION			
15		150112-44330	1	BUSHING			
16		150611-14530	1	TUBE 6*7*110	6*7*110		
17		159012-01620	1	CAP, SPARK PLUG			
18		159015-55230	1	COVER, PLUG CAP			
19		159011-03432	1	COIL, SPARK PLUG			
20		159010-10230	1	PLUG, SPARK (BPMR-7A)	BPMR-7A		
21		900162-05020	2	BOLT, H.S. 5*20	5*20 W,SW		
22		162010-50330	1	LEAD, GROUND		Sus. by 162021-27230	
22		162021-27230	1	LEAD			
23		162014-50330	1	LEAD, GROUND			
24		900238-05010	1	SCREW 5*10	5*10		

2. Starter, Magneto, Clutch

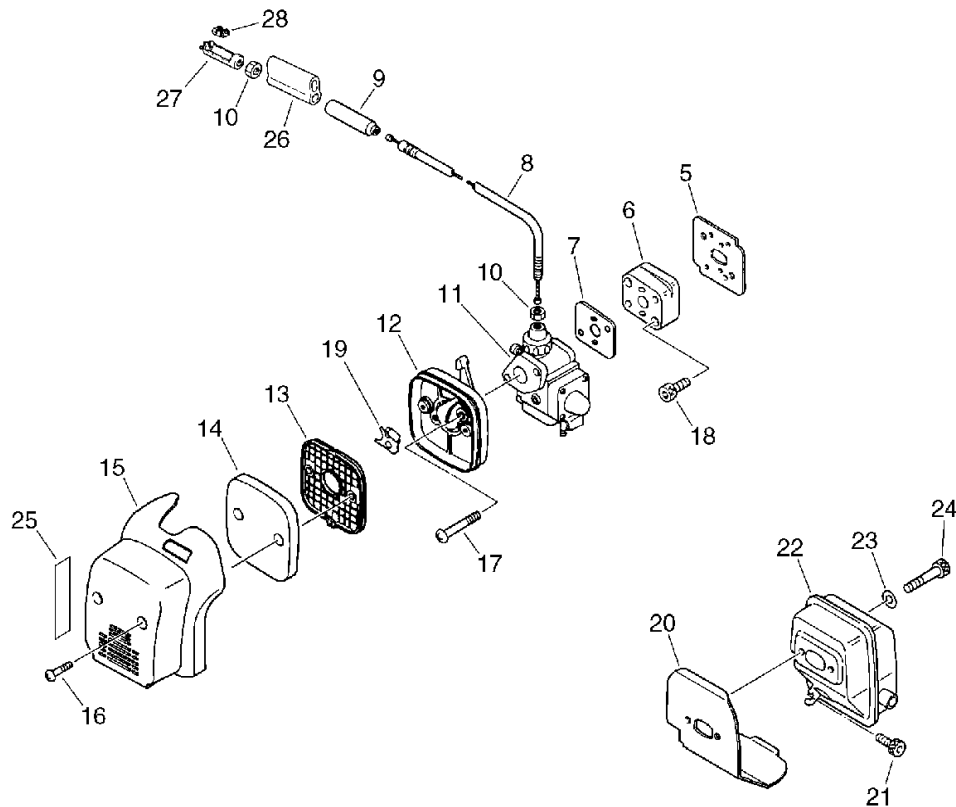
No.2



KEY	LV	PART NUMBER	Q'TY	DESCRIPTION	REMARKS	NOTE1	NOTE2
25		177202-41030	1	PAWL ASSY, STARTER			
26	+	900700-00004	1	E-RING 4	CE-4		
27	+	177234-40630	1	SPRING, RETURN			
28	+	177218-40630	1	PAWL, STARTER	WHITE		
29		900502-00008	1	NUT 8 (3N)	3N8		
30		177200-55631	1	STARTER ASSY			
31	+	177236-40630	1	SCREW			
32	+	177214-41030	1	WASHER			
33	+	177215-43130	1	DRUM, STARTER			
34	+	177220-40630	1	SPRING, REWIND			
35	+	177226-01110	1	ROPE, STARTER	4.0*880		
36	+	177227-42030	1	GUIDE, ROPE			
37	+	177228-27030	1	GRIP, STARTER			
38		900162-04030	4	BOLT, H.S. 4*30	4*30 W.SW		
39		890118-49330	1	LABEL, ECHO			

3. Air Cleaner, Muffler

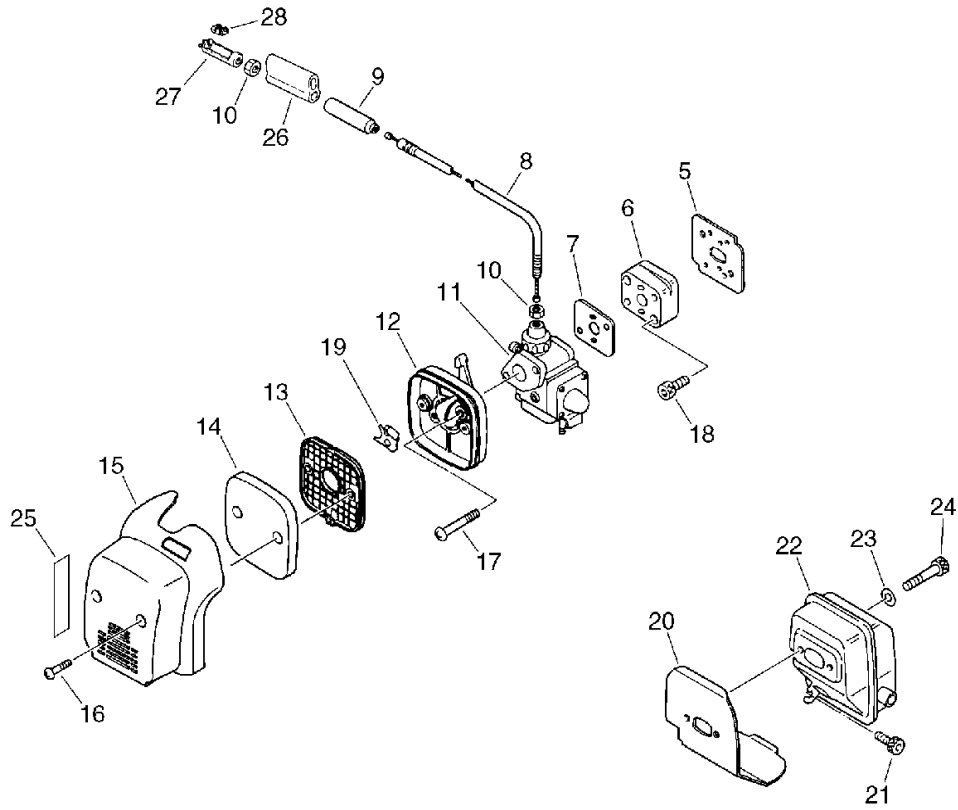
No.3



KEY	LV	PART NUMBER	Q'TY	DESCRIPTION	REMARKS	NOTE1	NOTE2
5		130016-55430	1	GASKET, INTAKE			
6		130007-56930	1	INSULATOR, INTAKE			
7		130010-52830	1	GASKET, INTAKE			
8		178001-50330	1	WIRE, THROTTLE			
9		178127-50330	1	TUBE	10*11*140		
10		178021-05530	2	LOCKNUT			
11		124200-57331	1	CARBURETOR ASSY	DPR11-1F		
12		130307-53930	1	CASE, AIR CLEANER		Sus. by 130307-52830	
12		130307-52830	1	CASE, AIR CLEANER			
13		130311-52830	1	GRID, AIR CLEANER			
14		130310-52830	1	FILTER, AIR			
15		130308-52831	1	LID, AIR CLEANER			
16		900242-04020	2	SCREW 4*20	4*20		
17		900242-05050	2	SCREW 5*50	5*50		
18		900162-05025	2	BOLT, H.S. 5*25	5*25 W,SW		
19		178523-55130	1	SPRING, CHOKE		Sr/Nr 003230 and before	
20		145510-55430	1	GASKET, MUFFLER			
21		900162-05012	1	BOLT, H.S. 5*12	5*12 W,SW		
22		145610-55230	1	MUFFLER			
23		900600-00005	2	WASHER 5	5		
24		900105-05060	2	BOLT, H.S. 5*60	5*60		
25		890012-62530	1	LABEL, METERING			
26		178128-22130	1	SLEEVE			
27		178114-05630	1	CONNECTOR, THR. WIRE			

3. Air Cleaner, Muffler

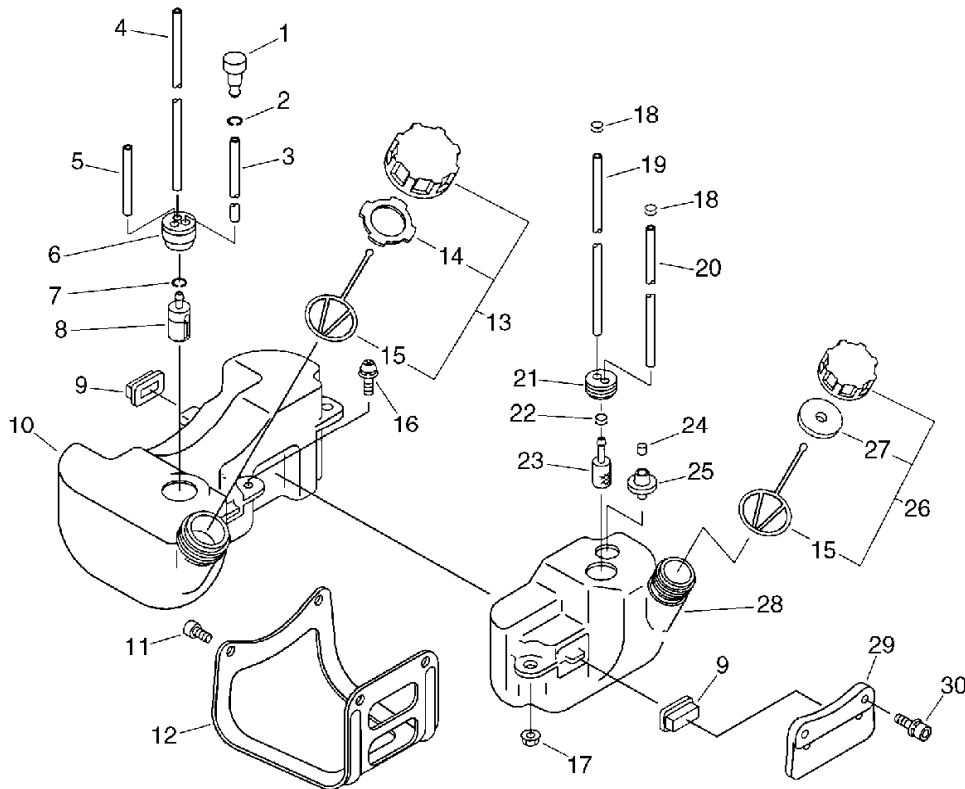
No.3



KEY	LV	PART NUMBER	Q'TY	DESCRIPTION	REMARKS	NOTE1	NOTE2
28		178049-06630	1	CONNECTOR			

4. Fuel Tank

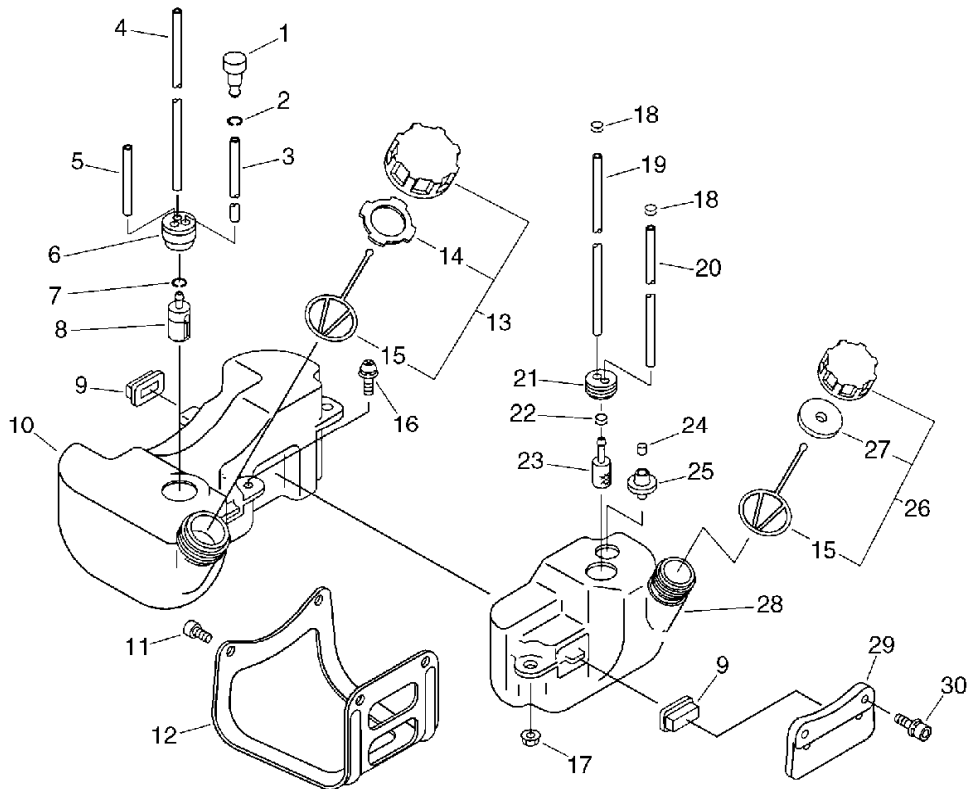
No.4



KEY	LV	PART NUMBER	Q'TY	DESCRIPTION	REMARKS	NOTE1	NOTE2
1		131300-56430	1	VALVE, CHECK			
2		130111-00530	1	CLIP	5.5		
3		437210-11131	1	PIPE 3*5*90 NBR	3*5*90 NBR	Sus. by V471-001210	
3		V471-001210	1	PIPE	3*5*90 NBR		
4		132010-52030	1	PIPE	3*6*170 NBR		
5		437215-20760	1	PIPE 3*6*60	3*6*60 YL		
6		132115-55930	1	GROMMET, FUEL			
7		132013-26630	1	CLIP	6.5MM		
8		131205-14930	1	STRAINER, FUEL			
9		131920-55430	4	CUSHION, FUEL TANK			
10		131005-56930	1	TANK, FUEL		Sus. by 131005-56931	
10		131005-56931	1	TANK, FUEL			
11		900162-05012	2	BOLT, H.S. 5*12	5*12 W,SW		
12		305110-55630	1	STAND			
13		131004-54930	1	CAP ASSY, FUEL TANK			
14	+	131016-55830	1	GASKET, FUEL CAP			
15	+	131051-52430	1	CONNECTOR, CAP	80L		
16		900239-05018	2	SCREW 5*18	5*18		
17		900518-00005	2	NUT, FLANGE 5	5		
18		437221-54930	4	CLIP			
19		132717-36030	1	PIPE 2*4*180	2*4*180		
20		132717-34630	1	PIPE, 2*4*100	2*4*100		
21		132115-50430	1	GROMMET, FUEL			
22		132013-50430	1	CLIP, PIPE			

4. Fuel Tank

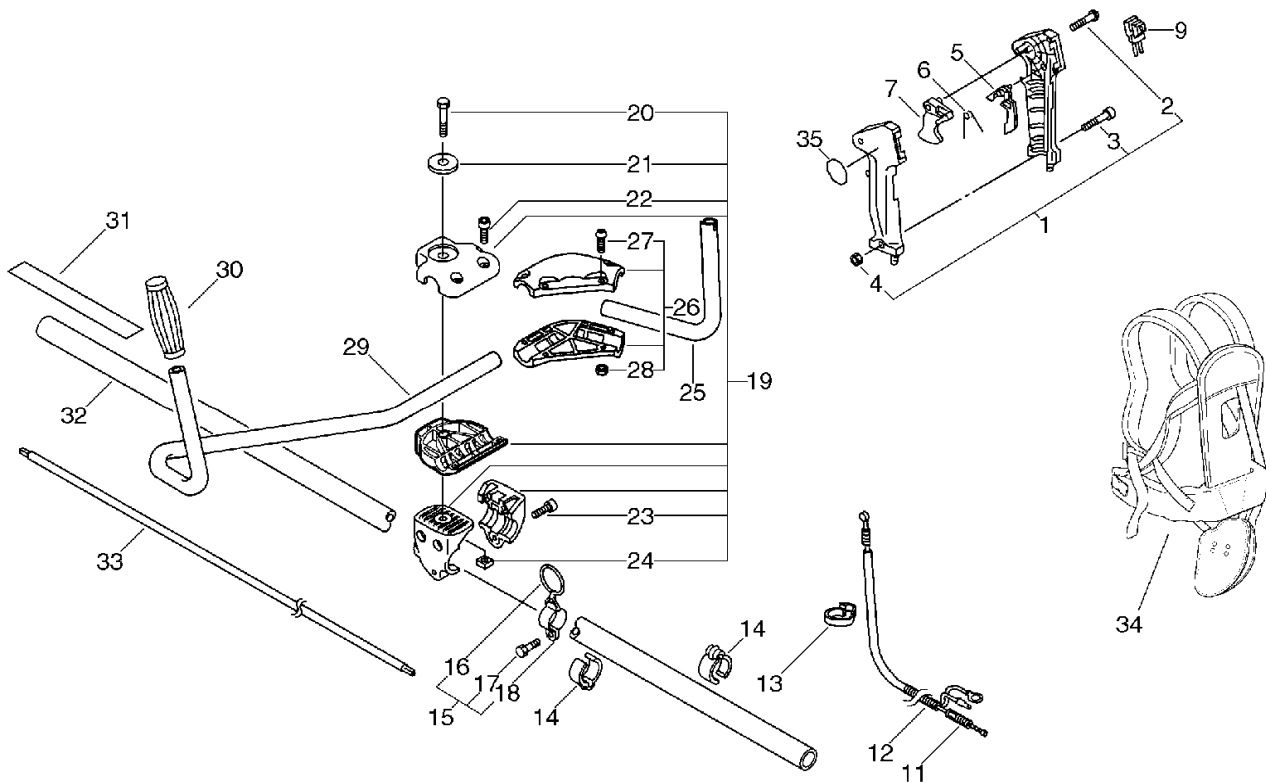
No.4



KEY	LV	PART NUMBER	Q'TY	DESCRIPTION	REMARKS	NOTE1	NOTE2
23		436205-50430	1	STRAINER, OIL			
24		131315-05020	1	FILTER			
25		131314-06320	1	VALVE, CHECK			
26		436001-56530	1	CAP ASSY, OIL TANK			
15	+	131051-52430	1	CONNECTOR, CAP	80L		
27	+	436012-37830	1	GASKET, CIRCULAR			
28		436010-56930	1	TANK, OIL			
29		131910-55430	1	BRACKET, FUEL TANK			
30		900162-05020	2	BOLT, H.S. 5*20	5*20 W,SW		

5. U-Handle

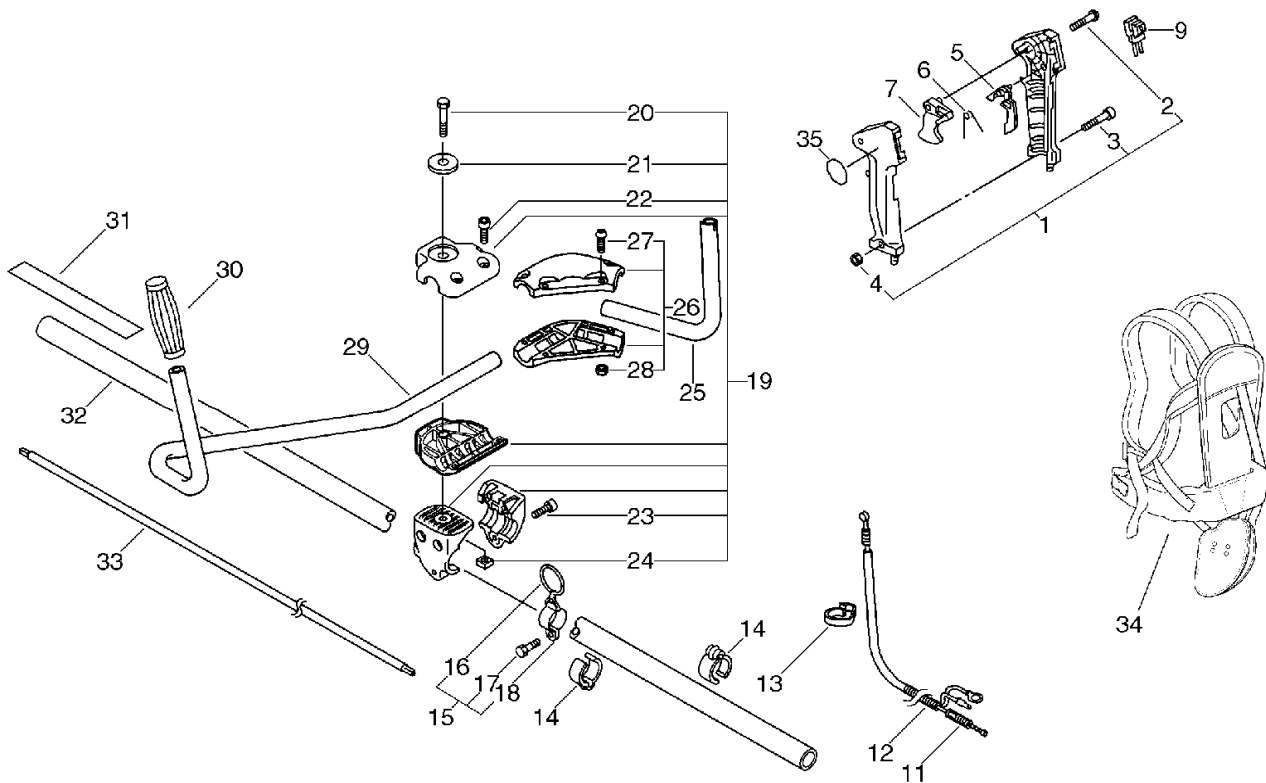
No.5



KEY	LV	PART NUMBER	Q'TY	DESCRIPTION	REMARKS	NOTE1	NOTE2
1		351102-47530	1	GRIP ASSY, F-HANDLE			
2	+	900246-03025	4	SCREW 3*25	3*25		
3	+	900220-05030	1	SCREW 5*30	5*30		
4	+	900500-00005	1	NUT 5	5		
5		178012-05960	1	LOCKOUT, THROTTLE			
6		178013-35631	1	SPRING, THR. LOCK			
7		178010-05960	1	CONTROL, THROTTLE			
9		163400-50330	1	SWITCH, IGNITION			
11		178001-27230	1	WIRE, THROTTLE			
12		162110-27230	1	TUBE	7*590		
13		159112-09960	1	CLIP		Sus. by 159112-09961	
13		159112-09961	1	CLIP			
14		224924-52930	2	CLIP	28MM		
15		301200-05230	1	HOOK ASS'Y			
16	+	301015-05330	1	HOOK, BAND			
17	+	900105-05012	1	BOLT, H.S. 5*12	5*12		
18	+	301210-04630	1	HOOK			
19		351301-52930	1	BRACKET ASSY, HANDLE			
20	+	351421-52130	1	BOLT			
21	+	605014-54230	1	WASHER			
22	+	900162-05020	2	BOLT, H.S. 5*20	5*20 W,SW		
23	+	900162-05030	3	BOLT, H.S. 5*30	5*30 W,SW		
24	+	900565-50008	1	NUT	8*1.25		
25		351214-52931	1	HANDLE			
26		351202-51430	1	BRACKET ASSY, HANDLE			

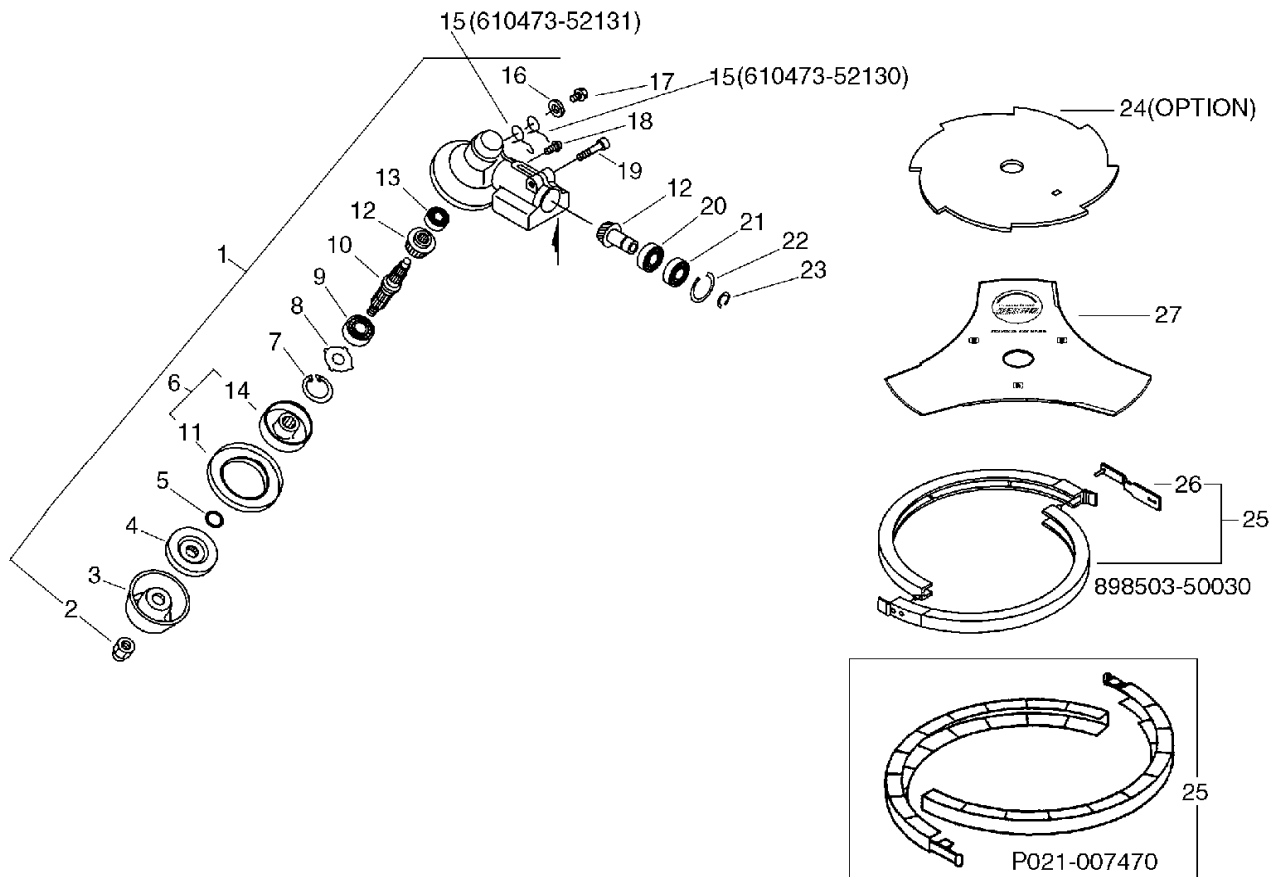
5. U-Handle

No.5



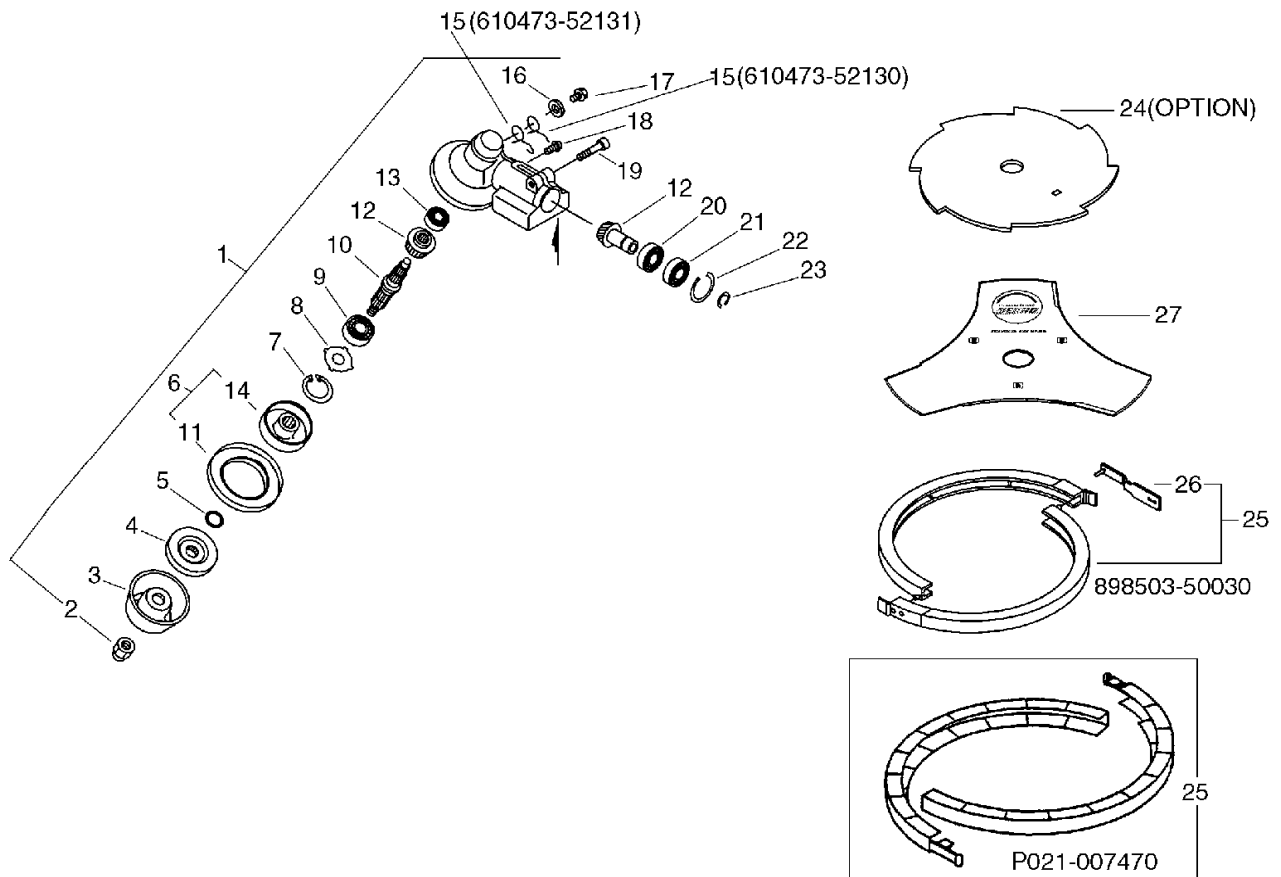
KEY	LV	PART NUMBER	Q'TY	DESCRIPTION	REMARKS	NOTE1	NOTE2
27	+	900162-05020	4	BOLT, H.S. 5*20	5*20 W,SW		
28	+	900500-00005	4	NUT 5	5		
29		351010-52931	1	HANDLE, FRONT			
30		351311-22430	1	GRIP, HANDLE			
31		890617-46830	1	LABEL, CAUTION		Sus. by 890617-43130	
31		890617-43130	1	LABEL, CAUTION			
32		610206-56930	1	HOUSING ASSY, D.SHFT			
33		610011-06230	1	SHAFT, DRIVE			
34		301001-56831	1	HARNESS ASY, SHOULDER		Sus. by C062-000181	
34		C062-000180	1	HARNESS, SHOULDER	ECHO	Sus. by C062-000181	
34		C062-000181	1	HARNESS, SHOULDER			
35		890157-39130	1	LABEL, SWITCH			

6. Gear Case(U-Handle Type), Blade No.6



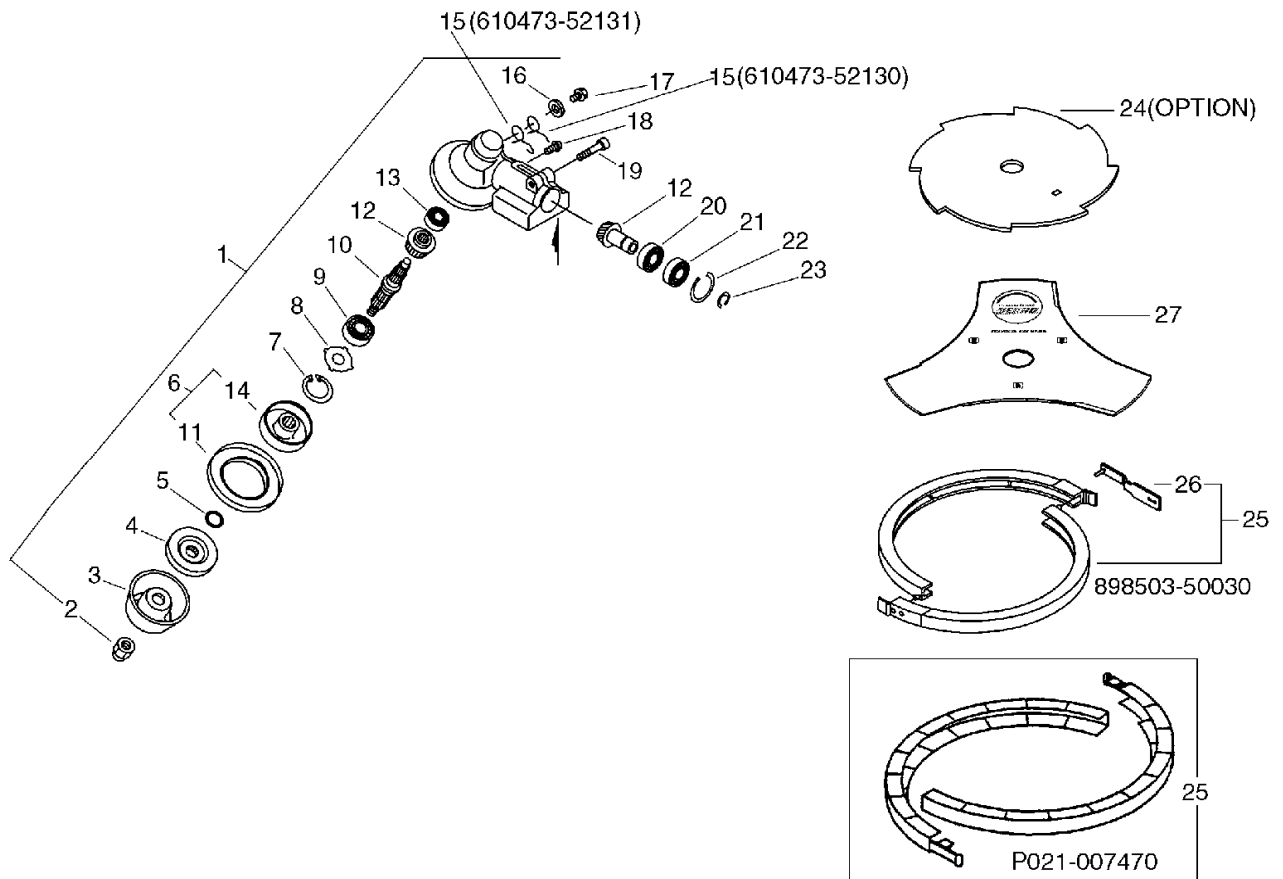
KEY	LV	PART NUMBER	Q'TY	DESCRIPTION	REMARKS	NOTE1	NOTE2
1		610400-56930	1	HOUSING ASSY, GEAR		Sus. by 610400-56932	
1		610400-56931	1	CASE ASY, GEAR		Sus. by 610400-56932	
1		610400-56932	1	CASE ASY, GEAR			
2	+	610320-52130	1	NUT 10			
3	+	699229-56830	1	PLATE, COVER			
4	+	610314-52130	1	PLATE, ADAPTER (L)			
5	+	900720-00012	1	O-RING 12	P-12		
6	+	610313-52930	1	PLATE, ADAPTER (U)		Sus. by C535-000001	
6	+	C535-000000	1	FIXTURE, BLADE		Sus. by C535-000001	
6	+	C535-000001	1	FIXTURE, BLADE			
11	++	610352-56830	1	PLATE, CUP			
14	++	C535-000010	1	FIXTURE, BLADE		Sus. by C535-000011	
14	++	C535-000011	1	FIXTURE, BLADE			
7	+	900702-00032	1	CIRCLIP 32	CR-32		
8	+	610444-56830	1	WASHER			
9	+	900812-06201	1	BEARING, BALL 6201	6201DDU(LLU)		
10	+	610310-56930	1	SHAFT, P.T.O.			
12	+	610300-56930	1	GEAR SET			
13	+	900810-00629	1	BEARING, BALL 629	629		

6. Gear Case(U-Handle Type), Blade No.6



KEY	LV	PART NUMBER	Q'TY	DESCRIPTION	REMARKS	NOTE1	NOTE2
15	+	610473-52130	1	SPRING, TORSION		Drive Shaft Sr/Nr 001750 and before	
15	+	610473-52131	1	SPRING		Drive Shaft Sr/Nr 001751 and after	
16	+	900603-50008	1	WASHER	8.5*18*0.8T		
17	+	610434-50030	1	BOLT 8*6		Sus. by 610434- 50031	
17	+	610434-50031	1	BOLT 8*8	M8*8		
18	+	900242-05010	1	SCREW 5*10	5*10		
19	+	900162-06030	1	BOLT, H.S. 6*30	6*30W, SW		
20	+	900800-06001	1	BEARING, BALL 6001	6001		
21	+	900807-06001	1	BEARING, BALL 6001	6001V(LB)	Drive Shaft Sr/Nr 002000 and before	
21	+	900803-06001	1	BEARING, BALL 6001	6001Z	Drive Shaft Sr/Nr 002001 and after	
22	+	900702-00028	1	CIRCLIP 28	CR-28		
23	+	900701-00012	1	CIRCLIP 12	CS-12		
24		696001-55630	1	BLADE, 8-CUTTER 10IN		Sus. by 696001- 55631	
24		696001-55631	1	BLADE, 8-CUTTER 10IN	255*8T*1.4 PD25	OPTION	

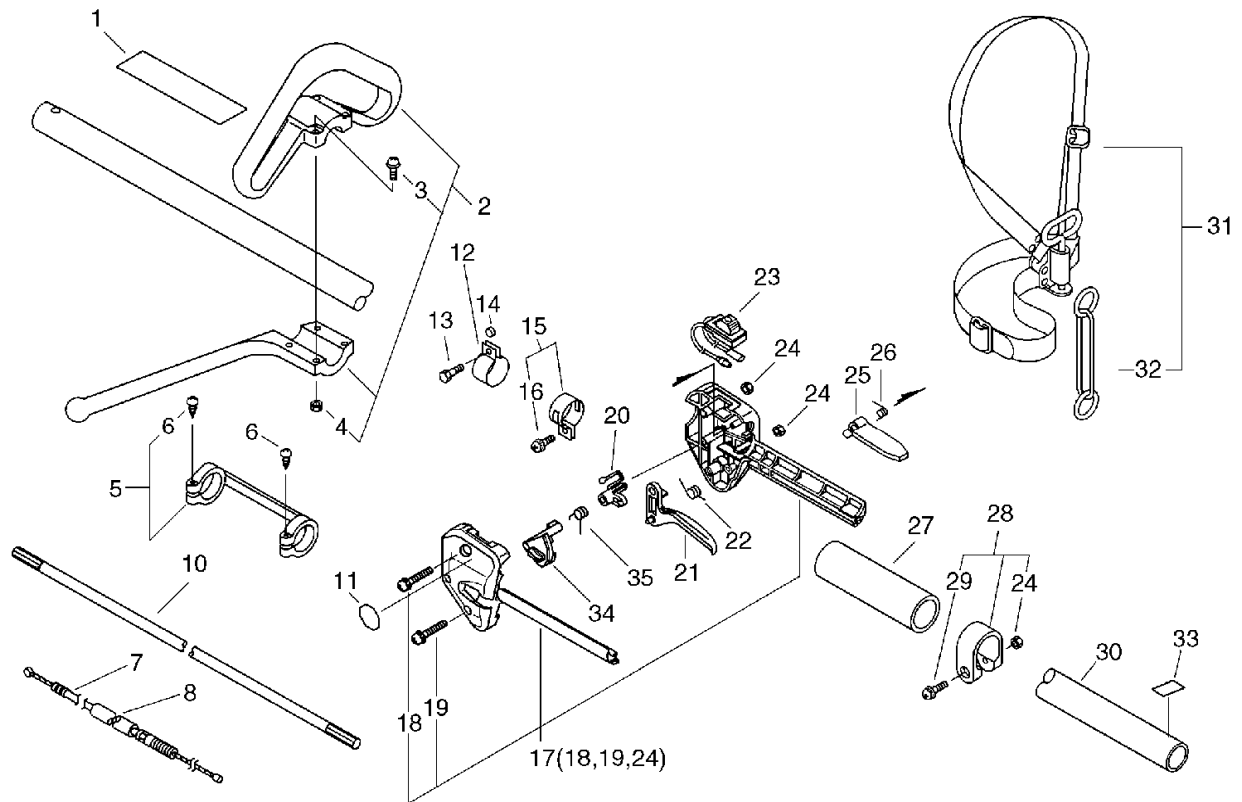
6. Gear Case(U-Handle Type), Blade
No.6



KEY	LV	PART NUMBER	Q'TY	DESCRIPTION	REMARKS	NOTE1	NOTE2
25		898503-50030	1	SCABBARD KIT, BLADE		Sus. by P021-007470	
25		P021-007470	1	SCABBARD, BLADE			
26	+	898562-43230	1	FIXTURE, SCABBARD		Can be used on 898503-50030 only	
27		X405-000000	1	SAW, BUSH CUTTER	3*255*25.4*T2.0	Sus. by X405-000001	
27		X405-000001	1	SAW, BUSH CUTTER	3*255*25.4*T2.0		

7. Loop Handle

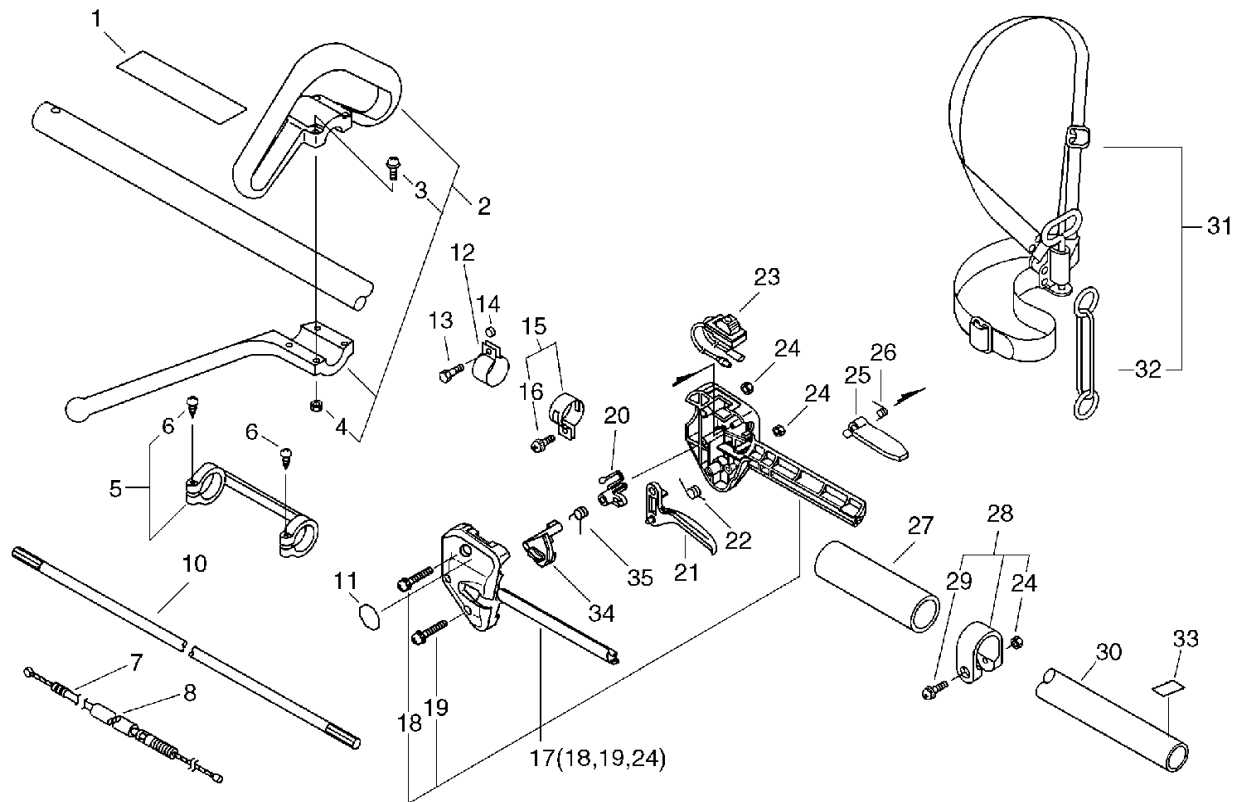
No.7



KEY	LV	PART NUMBER	Q'TY	DESCRIPTION	REMARKS	NOTE1	NOTE2
1		890177-46730	1	LABEL, CAUTION			Sus. by 890617-43130
1		890617-63630	1	LABEL, CAUTION			Sus. by 890617-43130
1		X505-000140	1	LABEL, CAUTION			Sus. by 890617-43130
1		890617-43130	1	LABEL, CAUTION			
2		351201-55630	1	HANDLE ASSY, LOOP			
3	+	900242-05035	4	SCREW 5*35	5*35		
4	+	900500-00005	4	NUT 5	5		
5		610281-42230	1	COLLER			
6	+	900253-04025	2	SCREW 4*25	4*25		
7		178002-24430	1	WIRE, THROTTLE			Sus. by 178002-64730
7		178002-64730	1	CABLE, THROTTLE			
8		178127-55931	1	TUBE	10*11*50		
10		610011-06230	1	SHAFT, DRIVE			
11		890157-39130	1	LABEL, SWITCH			
12		301207-07530	1	HOOK			
13		900100-05018	1	BOLT 5*18	5*18		
14		699012-03330	1	SPACER			
15		301200-42230	1	HOOK ASSY			
16	+	900242-05014	1	SCREW 5*14	5*14		
17		178003-51830	1	BRACKET SET, THROTTLE			Sus. by P021-005890
17		P021-005890	1	BRACKET SET, THROTTLE			

7. Loop Handle

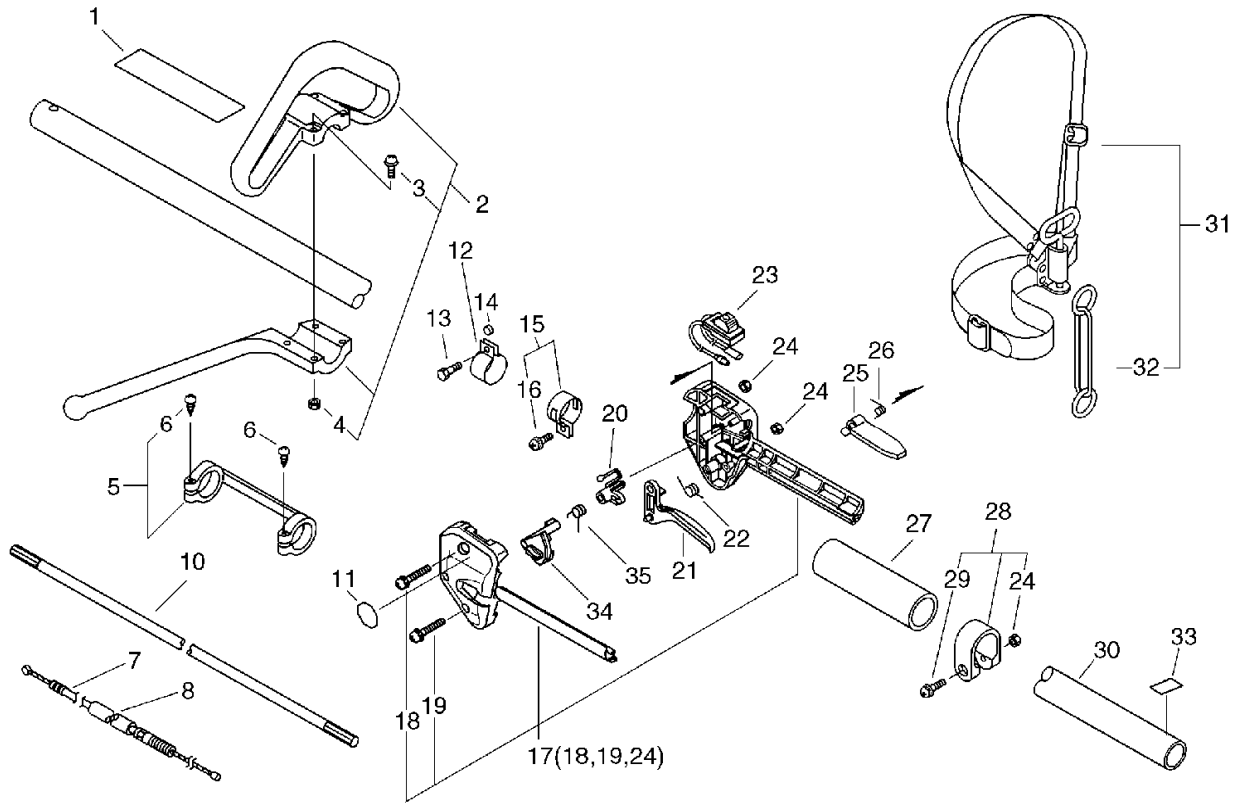
No.7



KEY	LV	PART NUMBER	Q'TY	DESCRIPTION	REMARKS	NOTE1	NOTE2
18	+	900242-05035	1	SCREW 5*35	5*35		
19	+	900242-05025	1	SCREW 5*25	5*25		
24	+	900500-00005	2	NUT 5	5		
20		178012-52630	1	LOCKOUT, THROTTLE			
21		178010-52130	1	CONTROL, THROTTLE			
22		178043-42230	1	SPRING, THR. RETURN			
23		163400-49930	1	SWITCH, IGNITION			
25		178090-52630	1	LOCKOUT, T. CONTROL		Sus. By 178090-52632	
25		178090-52631	1	LOCKOUT, T. CONTROL			
25		178090-52632	1	LOCKOUT, T. CONTROL			
26		178013-52630	1	SPRING, THR. LOCK			
27		351213-51830	1	GRIP, FRONT HANDLE			
28		610272-51830	1	BAND			
24	+	900500-00005	1	NUT 5	5		
29	+	900242-05028	1	SCREW 5*28	5*28		
30		610206-56930	1	HOUSING ASSY, D.SHFT			
31		301000-55230	1	HARNESS ASSY		Sus. By 301000-55231	
31		301000-55231	1	HARNESS ASY, SHOULDER			
32	+	301305-24330	1	LINK			
34		C461-000010	1	LATCH, THROTTLE		Can be used P021-005890 only	

7. Loop Handle

No.7

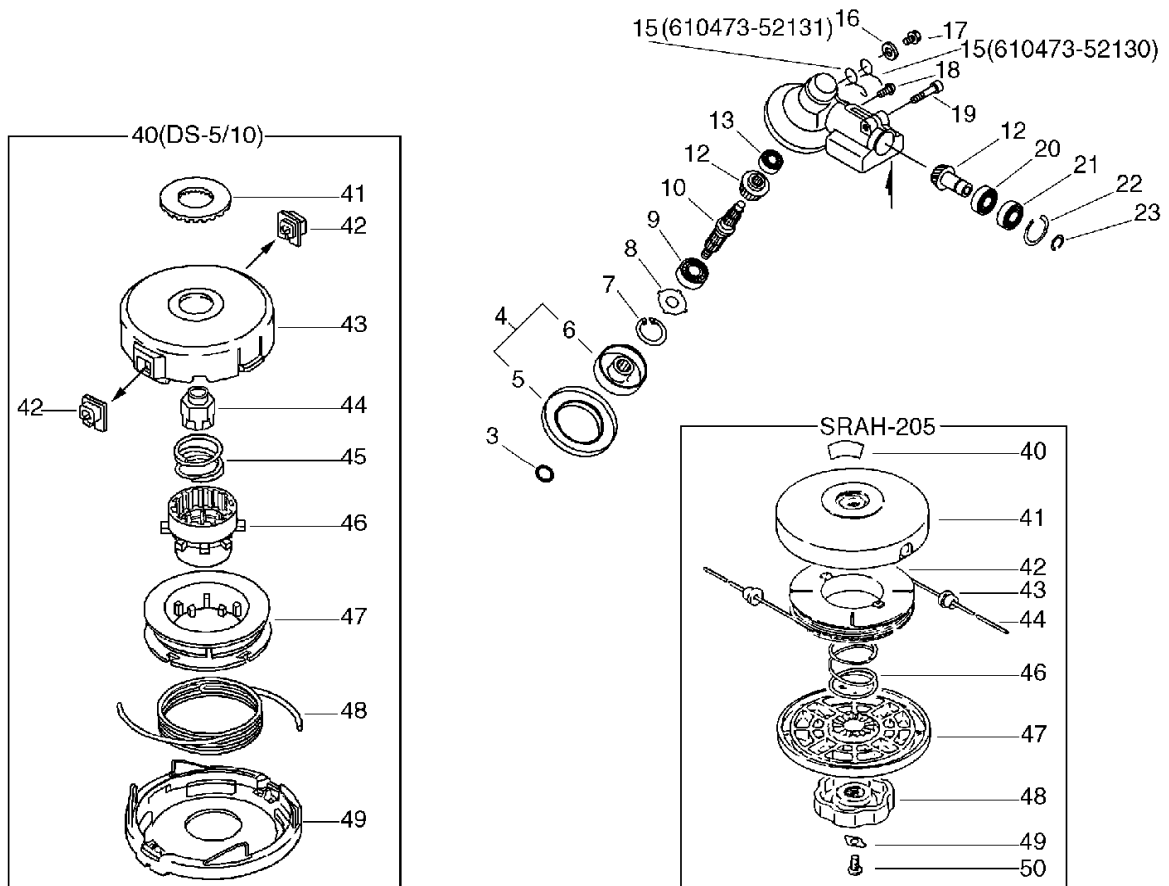


KEY	LV	PART NUMBER	Q'TY	DESCRIPTION	REMARKS	NOTE1	NOTE2
-----	----	-------------	------	-------------	---------	-------	-------

35		V452-000120	1	SPRING,TORSION		Can be used P021-005890 only	
----	--	-------------	---	----------------	--	------------------------------	--

8. Gear Case(Loop Handle Type), Nylon Line Cutting Head

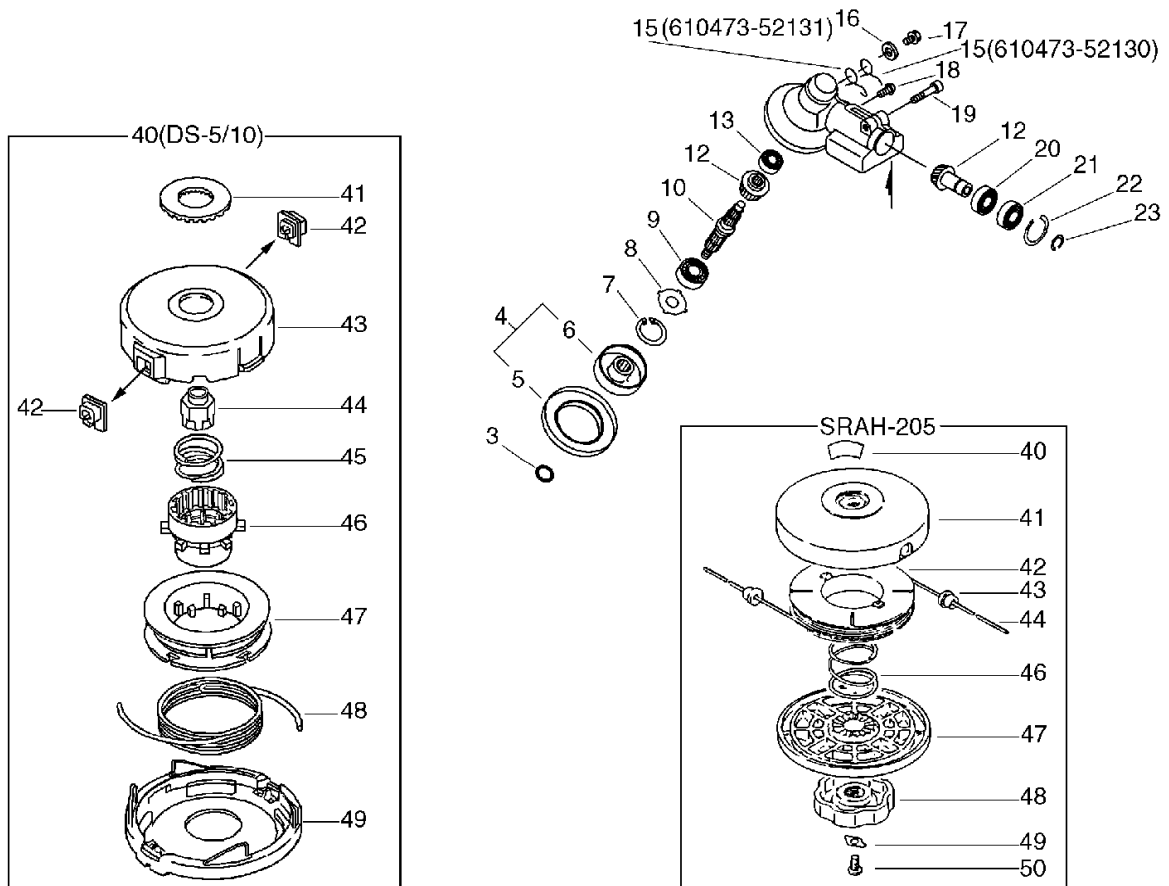
No.8



KEY	LV	PART NUMBER	Q'TY	DESCRIPTION	REMARKS	NOTE1	NOTE2
3		900720-00012	1	O-RING 12	P-12		
4		610313-52930	1	PLATE, ADAPTER (U)		Sus. by C535-000001	
4		C535-000000	1	FIXTURE, BLADE		Sus. by C535-000001	
4		C535-000001	1	FIXTURE, BLADE			
5	+	610352-56830	1	PLATE, CUP			
6	+	C535-000010	1	FIXTURE, BLADE		Sus. by C535-000011	
6	+	C535-000011	1	FIXTURE, BLADE			
7		900702-00032	1	CIRCLIP 32	CR-32		
8		610444-56830	1	WASHER			
9		900812-06201	1	BEARING, BALL 6201	6201DDU(LLU)		
10		610310-56930	1	SHAFT, P.T.O.			
12		610300-56930	1	GEAR SET			
13		900810-00629	1	BEARING, BALL 629	629		
15		610473-52130	1	SPRING, TORSION		Drive Shaft Sr/Nr 001750 and before	
15		610473-52131	1	SPRING		Drive Shaft Sr/Nr 001751 and after	
16		900603-50008	1	WASHER	8.5*18*0.8T		
17		610434-50030	1	BOLT 8*6		Sus. by 610434-50031	
17		610434-50031	1	BOLT 8*8	M8*8		

8. Gear Case(Loop Handle Type), Nylon Line Cutting Head

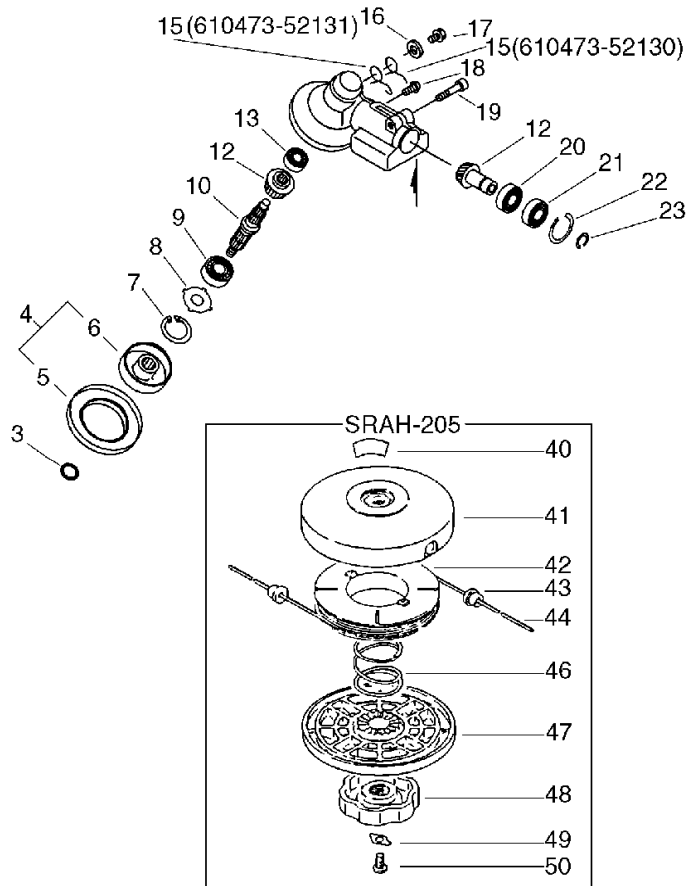
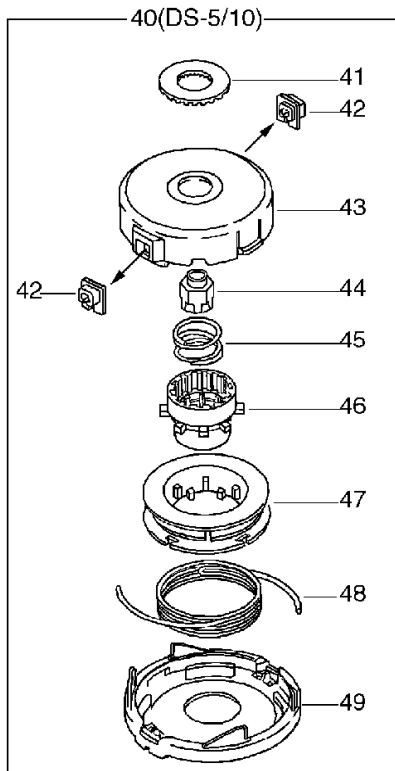
No.8



KEY	LV	PART NUMBER	Q'TY	DESCRIPTION	REMARKS	NOTE1	NOTE2
18		900242-05010	1	SCREW 5*10	5*10		
19		900162-06030	1	BOLT, H.S. 6*30	6*30W, SW		
20		900800-06001	1	BEARING, BALL 6001	6001		
21		900807-06001	1	BEARING, BALL 6001	6001V(LB)	Drive Shaft Sr/Nr 001750 and before	
21		900803-06001	1	BEARING, BALL 6001	6001Z	Drive Shaft Sr/Nr 001751 and after	
22		900702-00028	1	CIRCLIP 28	CR-28		
23		900701-00012	1	CIRCLIP 12	CS-12		
40		890617-46730	1	LABEL, CAUTION		SRAH-205	
41		696210-56930	1	DRUM, REEL		SRAH-205	
42		696214-06830	1	REEL, CORD		SRAH-205	
43		696212-06032	2	EYELET		SRAH-205	
44		696215-22830	2	CORD, NYLON(2.4*2.5)		SRAH-205	
46		696216-06030	1	SPRING		SRAH-205	
47		696206-28232	1	COVER, DRUM (BL)		SRAH-205	
48		696219-28231	1	NUT (BL)		Sus. by V299- 000260	
48		V299-000260	1	KNOB,FASTENER	M16X2	SRAH-205	
49		696220-06030	1	STOPPER, NUT		SRAH-205	
50		900220-06010	1	SCREW 6*10	6*10	SRAH-205	
40		X047-000070	1	CUTTER,ASM LINE	DS-5/10	Sus. by X047- 000220	
40		X047-000220	1	CUTTER,ASM LINE	DS-5 M10L	DS-5/10	

8. Gear Case(Loop Handle Type), Nylon Line Cutting Head

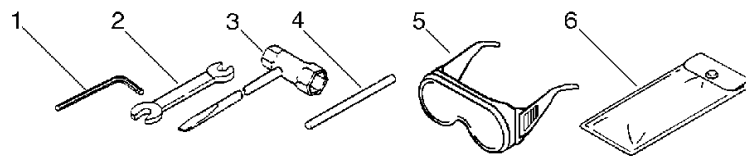
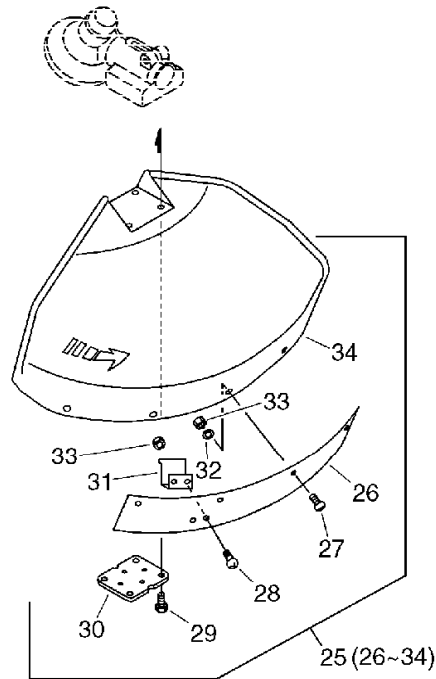
No.8



KEY	LV	PART NUMBER	Q'TY	DESCRIPTION	REMARKS	NOTE1	NOTE2
41	+	V332-000000	1	WASHER,CIRCULAR 24		DS-5/10	
42	+	P022-000710	2	EYELET	T4	DS-5/10	
43	+	X470-000000	1	DRUM,REEL		Sus. by P022-005040	
43	+	P022-005040	1	HOUSING		DS-5/10	
44	+	P022-001160	1	NUT		DS-5/10	
45	+	P022-001200	1	SPRING	DS-5/10	DS-5/10	
46	+	P022-001310	1	TAP KNOB	DS-5/10	DS-5/10	
47	+	P022-001180	1	BOBBIN	DS-5/10	DS-5/10	
48	+	P022-000730	1	NYLON CODE	2.4*3M B4-K	Sus. by P022-006200	
48	+	P022-006200	1	NYLON CODE	3.0*3M	DS-5/10	
49	+	P022-001190	1	COVER	DS-5/10	Sus. by P022-005030	
49	+	P022-005030	1	COVER		DS-5/10	

9. Shield, Tools

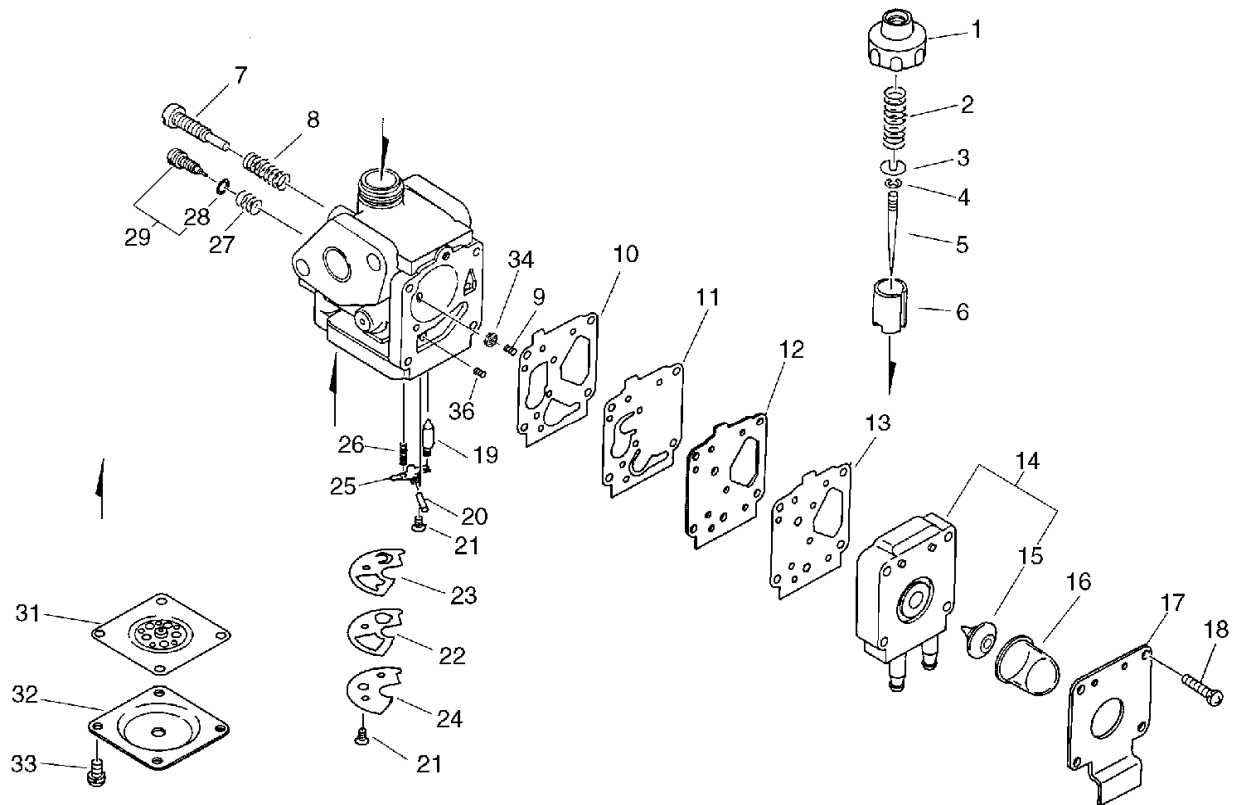
No.9



KEY	LV	PART NUMBER	Q'TY	DESCRIPTION	REMARKS	NOTE1	NOTE2
1		895610-00130	1	L-WRENCH (4MM)			
2		895112-00330	1	SPANNER 8*10			
3		895410-08030	1	WRENCH, W/S. DRIVER		Sus. by X602-000020	
3		X602-000020	1	TOOL, WRENCH	17*19 L200		
4		897518-01131	1	LOCKING TOOL			
5		899580-40930	1	GOGGLE		Sus. by X690-000030	
5		899580-68730	1	SAFETY GLASSES		Sus. by X690-000030	
5		X690-000030	1	GOGGLE			
6		898510-39130	1	BAG, TOOL			
25		699000-52931	1	SHIELD ASY			
26	+	699013-52130	1	PLATE, SHIELD			
27	+	900162-05018	4	BOLT, H.S. 5*18	5*18 W,SW		
28	+	900162-05014	2	BOLT, H.S. 5*14	5*14 W,SW		
29	+	900162-05025	4	BOLT, H.S. 5*25	5*25 W,SW		
30	+	699013-56830	1	PLATE, SHIELD			
31	+	699016-54530	1	KNIFE			
32	+	900603-00005	4	WASHER 5	5.5*12*0.8		
33	+	900500-00005	6	NUT 5	5		
34	+	699010-52931	1	SHIELD, BLADE			

10. Carburetor

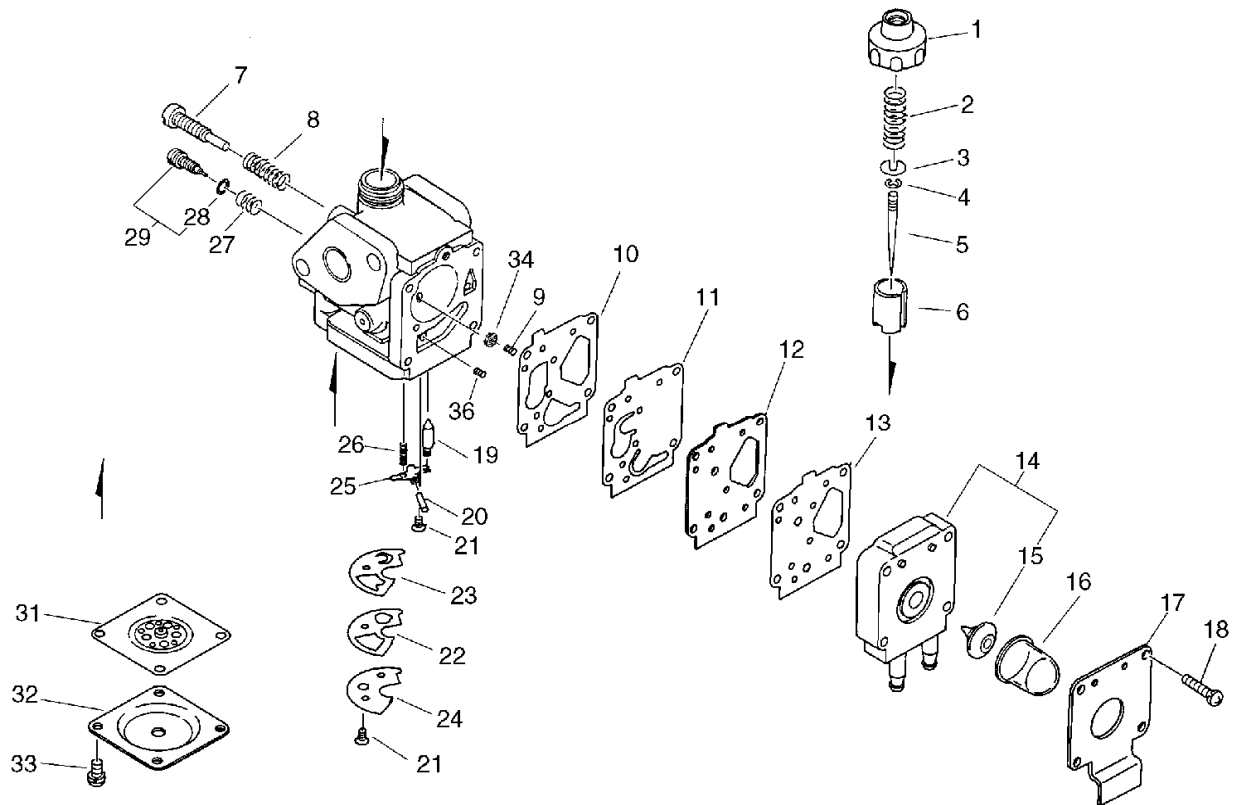
No.10



KEY	LV	PART NUMBER	Q'TY	DESCRIPTION	REMARKS	NOTE1	NOTE2
		124200-57331	1	CARBURETOR ASSY	DPR11-1F		
1	+	124113-05530	1	COVER, TOP			
2	+	124114-50330	1	SPRING, THROTTLE			
3	+	124115-05530	1	SEAT, SPRING			
4	+	124116-05530	1	E-RING			
5	+	124317-58230	1	NEEDLE, JET			
6	+	124318-55430	1	VALVE, THROTTLE			
7	+	124159-05530	1	SCREW, IDLE ADJUST			
8	+	124160-11120	1	SPRING, IDLE ADJUST			
9	+	124367-53630	1	SPRING, CHECK VALVE			
10	+	124361-12710	1	GASKET			
11	+	124364-12710	1	DIAPHRAGM, FUEL PUMP	NBR		
12	+	124362-12710	1	PLATE, PUMP			
13	+	124363-12710	1	GASKET, FUEL PUMP			
14	+	124379-55430	1	COVER, PUMP			
15	++	124374-55430	1	VALVE, CHECK			
16	+	124380-55430	1	PUMP, PRIMING			
17	+	124342-55430	1	PLATE, PUMP			
18	+	900241-03014	4	SCREW 3*14 (W/SW)	3*14		
19	+	124320-52830	1	VALVE, NEEDLE			
20	+	124332-21330	1	PIN, LEVER			
21	+	900273-03008	2	SCREW 3* 8	3*8 SUS		
22	+	124374-53630	1	VALVE, CHECK			
23	+	124375-12710	1	GASKET			
24	+	124345-54930	1	PLATE			
25	+	124321-50430	1	LEVER, INLET CONTROL			

10. Carburetor

No.10



KEY	LV	PART NUMBER	Q'TY	DESCRIPTION	REMARKS	NOTE1	NOTE2
26	+	124331-21330	1	SPRING, NEEDLE VALVE			
27	+	124355-21330	1	SPRING, ADJUSTMENT			
29	+	124354-12710	1	SCREW, MAIN ADJUST			
28	++	124356-21330	1	O-RING			
31	+	124341-55430	1	DIAPHRAGM			
32	+	124324-21330	1	COVER, DIAPHRAGM			
33	+	900241-03008	4	SCREW 3*8	3*8		
34	+	P004-000010	1	SCREEN, INLET			
36	+	124367-55430	1	SPRING, COIL			

Index

Patrs Number	Key No.	Patrs Number	Key No.	Patrs Number	Key No.
100000-55430	1 - 19	124374-55430	10 - 15	162110-27230	5 - 12
100000-55431	1 - 19	124375-12710	10 - 23	163400-49930	7 - 23
100011-16131	1 - 20	124379-55430	10 - 14	163400-50330	5 - 9
100012-16131	1 - 23	124380-55430	10 - 16	175005-49930	1 - 40
100013-27430	1 - 21	130007-56930	3 - 6	175009-49930	2 - 7
100014-53630	1 - 24	130010-52830	3 - 7	175018-49931	2 - 6
100015-03930	1 - 22	130016-55430	3 - 5	175018-49932	2 - 6
100015-03931	1 - 22	130111-00530	4 - 2	175046-46430	2 - 5
100100-56930	1 - 25	130307-52830	3 - 12	175048-05530	2 - 8
100127-50430	1 - 53	130307-53930	3 - 12	177200-55631	2 - 30
100142-12330	2 - 12	130308-52831	3 - 15	177202-41030	2 - 25
100204-56930	1 - 30	130310-52830	3 - 14	177214-41030	2 - 32
100213-05530	1 - 31	130311-52830	3 - 13	177215-43130	2 - 33
100215-03930	1 - 32	131004-54930	4 - 13	177218-40630	2 - 28
100242-55430	1 - 34	131005-56930	4 - 10	177220-40630	2 - 34
101010-55430	1 - 10	131005-56931	4 - 10	177226-01110	2 - 35
101034-55630	1 - 5	131016-55830	4 - 14	177227-42030	2 - 36
101511-55430	1 - 45	131051-52430	4 - 15	177228-27030	2 - 37
101514-55630	1 - 14	131051-52430	4 - 15	177234-40630	2 - 27
101531-55230	1 - 16	131205-14930	4 - 8	177236-40630	2 - 31
101586-56930	1 - 56	131300-56430	4 - 1	178001-27230	5 - 11
124113-05530	10 - 1	131314-06320	4 - 25	178001-50330	3 - 8
124114-50330	10 - 2	131315-05020	4 - 24	178002-24430	7 - 7
124115-05530	10 - 3	131910-55430	4 - 29	178002-64730	7 - 7
124116-05530	10 - 4	131920-55430	4 - 9	178003-51830	7 - 17
124159-05530	10 - 7	132010-52030	4 - 4	178010-05960	5 - 7
124160-11120	10 - 8	132013-26630	4 - 7	178010-52130	7 - 21
124200-57331	10 -	132013-50430	4 - 22	178012-05960	5 - 5
124200-57331	3 - 11	132115-50430	4 - 21	178012-52630	7 - 20
124317-58230	10 - 5	132115-55930	4 - 6	178013-35631	5 - 6
124318-55430	10 - 6	132717-34330	1 - 58	178013-52630	7 - 26
124320-52830	10 - 19	132717-34630	4 - 20	178021-05530	3 - 10
124321-50430	10 - 25	132717-36030	4 - 19	178043-42230	7 - 22
124324-21330	10 - 32	145510-55430	3 - 20	178049-06630	3 - 28
124331-21330	10 - 26	145610-55230	3 - 22	178090-52630	7 - 25
124332-21330	10 - 20	150112-44330	2 - 15	178090-52631	7 - 25
124341-55430	10 - 31	150611-14530	2 - 16	178090-52632	7 - 25
124342-55430	10 - 17	152626-55430	2 - 14	178114-05630	3 - 27
124345-54930	10 - 24	152801-55430	2 - 13	178127-50330	3 - 9
124354-12710	10 - 29	159010-10230	2 - 20	178127-55931	7 - 8
124355-21330	10 - 27	159011-03432	2 - 19	178128-22130	3 - 26
124356-21330	10 - 28	159012-01620	2 - 17	178523-55130	3 - 19
124361-12710	10 - 10	159015-55230	2 - 18	178810-03930	1 - 55
124362-12710	10 - 12	159112-09960	5 - 13	224924-52930	5 - 14
124363-12710	10 - 13	159112-09961	5 - 13	301000-55230	7 - 31
124364-12710	10 - 11	159902-55230	1 - 11	301000-55231	7 - 31
124367-53630	10 - 9	162010-50330	2 - 22	301001-56831	5 - 34
124367-55430	10 - 36	162014-50330	2 - 23	301015-05330	5 - 16
124374-53630	10 - 22	162021-27230	2 - 22	301200-05230	5 - 15

Index

Patrs Number	Key No.	Patrs Number	Key No.	Patrs Number	Key No.
301200-42230	7 - 15	610434-50031	8 - 17	900105-05060	3 - 24
301207-07530	7 - 12	610444-56830	6 - 8	900162-04030	2 - 38
301210-04630	5 - 18	610444-56830	8 - 8	900162-05012	1 - 17
301305-24330	7 - 32	610473-52130	6 - 15	900162-05012	1 - 50
305110-55630	4 - 12	610473-52130	8 - 15	900162-05012	3 - 21
351010-52931	5 - 29	610473-52131	6 - 15	900162-05012	4 - 11
351102-47530	5 - 1	610473-52131	8 - 15	900162-05014	9 - 28
351201-55630	7 - 2	610903-55630	1 - 48	900162-05018	9 - 27
351202-51430	5 - 26	610910-51830	1 - 47	900162-05020	1 - 4
351213-51830	7 - 27	610910-55630	1 - 47	900162-05020	1 - 15
351214-52931	5 - 25	696001-55630	6 - 24	900162-05020	1 - 46
351301-52930	5 - 19	696001-55631	6 - 24	900162-05020	2 - 21
351311-22430	5 - 30	696206-28232	8 - 47	900162-05020	4 - 30
351421-52130	5 - 20	696210-56930	8 - 41	900162-05020	5 - 22
352325-55230	1 - 12	696212-06032	8 - 43	900162-05020	5 - 27
436001-56530	4 - 26	696214-06830	8 - 42	900162-05025	1 - 49
436010-56930	4 - 28	696215-22830	8 - 44	900162-05025	3 - 18
436012-37830	4 - 27	696216-06030	8 - 46	900162-05025	9 - 29
436205-50430	4 - 23	696219-28231	8 - 48	900162-05030	1 - 35
437002-49930	1 - 52	696220-06030	8 - 49	900162-05030	5 - 23
437002-49931	1 - 52	699000-52931	9 - 25	900162-06030	6 - 19
437063-50430	1 - 51	699010-52931	9 - 34	900162-06030	8 - 19
437210-11131	4 - 3	699012-03330	7 - 14	900220-05030	5 - 3
437215-20760	4 - 5	699013-52130	9 - 26	900220-06010	8 - 50
437221-54930	4 - 18	699013-56830	9 - 30	900238-05010	2 - 24
437243-56930	1 - 57	699016-54530	9 - 31	900239-05018	4 - 16
605014-54230	5 - 21	699229-56830	6 - 3	900240-04016	1 - 54
610011-06230	5 - 33	890012-62530	3 - 25	900241-03008	10 - 33
610011-06230	7 - 10	890115-62530	1 - 18	900241-03014	10 - 18
610206-56930	5 - 32	890118-49330	2 - 39	900242-04020	3 - 16
610206-56930	7 - 30	890157-39130	5 - 35	900242-05010	6 - 18
610272-51830	7 - 28	890157-39130	7 - 11	900242-05010	8 - 18
610281-42230	7 - 5	890177-46730	7 - 1	900242-05014	7 - 16
610300-56930	6 - 12	890617-43130	5 - 31	900242-05025	7 - 19
610300-56930	8 - 12	890617-43130	7 - 1	900242-05028	7 - 29
610310-56930	6 - 10	890617-46730	8 - 40	900242-05035	7 - 3
610310-56930	8 - 10	890617-46830	5 - 31	900242-05035	7 - 18
610313-52930	6 - 6	890617-63630	7 - 1	900242-05050	3 - 17
610313-52930	8 - 4	895112-00330	9 - 2	900246-03025	5 - 2
610314-52130	6 - 4	895410-08030	9 - 3	900253-04025	7 - 6
610320-52130	6 - 2	895610-00130	9 - 1	900273-03008	10 - 21
610352-56830	6 - 11	897518-01131	9 - 4	900500-00005	5 - 4
610352-56830	8 - 5	898503-50030	6 - 25	900500-00005	5 - 28
610400-56930	6 - 1	898510-39130	9 - 6	900500-00005	7 - 4
610400-56931	6 - 1	898562-43230	6 - 26	900500-00005	7 - 24
610400-56932	6 - 1	899580-40930	9 - 5	900500-00005	7 - 24
610434-50030	6 - 17	899580-68730	9 - 5	900500-00005	9 - 33
610434-50030	8 - 17	900100-05018	7 - 13	900502-00008	2 - 9
610434-50031	6 - 17	900105-05012	5 - 17	900502-00008	2 - 29

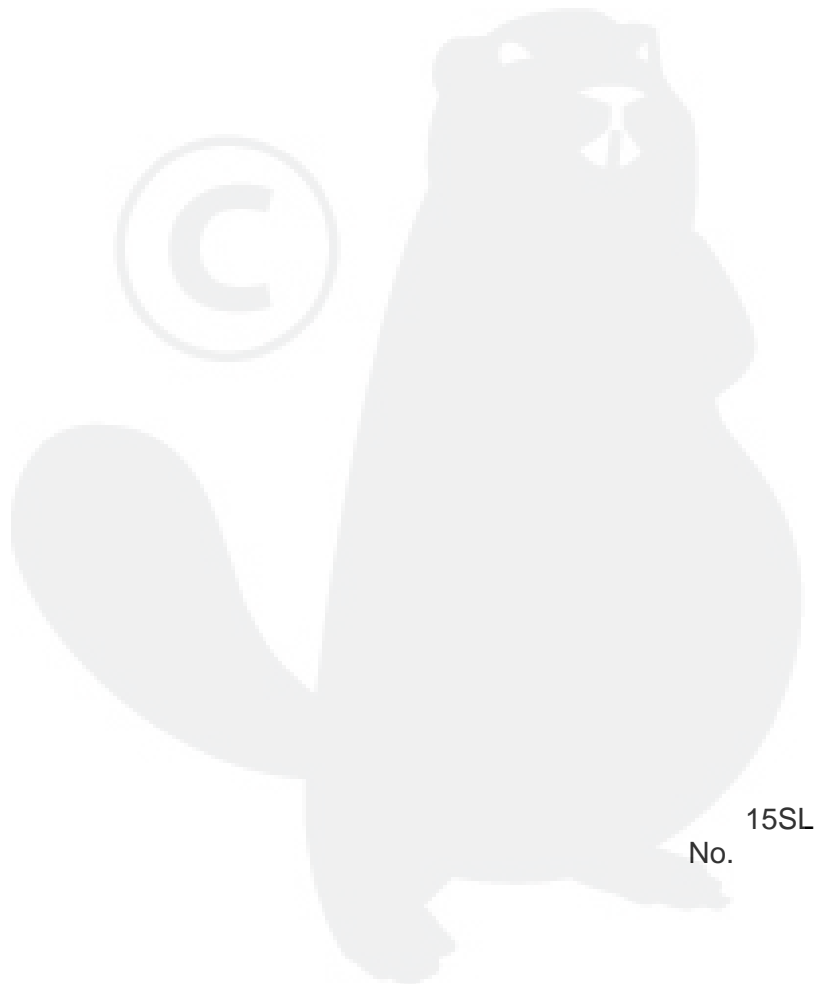
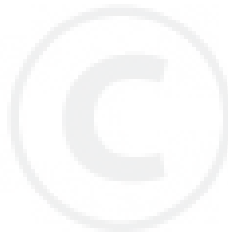
Index

Patrs Number	Key No.	Patrs Number	Key No.	Patrs Number	Key No.
900518-00005	4 - 17	P022-000730	8 - 48		
900565-50008	5 - 24	P022-001160	8 - 44		
900600-00005	3 - 23	P022-001180	8 - 47		
900600-00008	2 - 11	P022-001190	8 - 49		
900603-00005	9 - 32	P022-001200	8 - 45		
900603-50008	6 - 16	P022-001310	8 - 46		
900603-50008	8 - 16	P022-005030	8 - 49		
900605-00008	2 - 10	P022-005040	8 - 43		
900700-00004	2 - 26	P022-006200	8 - 48		
900701-00012	1 - 44	V299-000260	8 - 48		
900701-00012	6 - 23	V332-000000	8 - 41		
900701-00012	8 - 23	V452-000120	7 - 35		
900702-00028	1 - 41	V471-001210	4 - 3		
900702-00028	6 - 22	X047-000070	8 - 40		
900702-00028	8 - 22	X047-000220	8 - 40		
900702-00032	6 - 7	X405-000000	6 - 27		
900702-00032	8 - 7	X405-000001	6 - 27		
900720-00004	1 - 13	X470-000000	8 - 43		
900720-00012	6 - 5	X505-000140	7 - 1		
900720-00012	8 - 3	X602-000020	9 - 3		
900800-06001	6 - 20	X690-000030	9 - 5		
900800-06001	8 - 20				
900803-06001	6 - 21				
900803-06001	8 - 21				
900807-06001	1 - 42				
900807-06001	6 - 21				
900807-06001	8 - 21				
900810-00629	6 - 13				
900810-00629	8 - 13				
900810-36201	1 - 33				
900812-06201	6 - 9				
900812-06201	8 - 9				
94035-36201	1 - 33				
A553-000000	2 - 7				
C062-000180	5 - 34				
C062-000181	5 - 34				
C461-000010	7 - 34				
C535-000000	6 - 6				
C535-000000	8 - 4				
C535-000001	6 - 6				
C535-000001	8 - 4				
C535-000010	6 - 14				
C535-000010	8 - 6				
C535-000011	6 - 14				
C535-000011	8 - 6				
P004-000010	10 - 34				
P021-005890	7 - 17				
P021-007470	6 - 25				
P022-000710	8 - 42				

YAMABIKO CORPORATION

7-2 SUEHIROCHO 1-CHOME, OHME, TOKYO 198-8760, JAPAN
PHONE: 81-428-32-6118. FAX: 81-428-32-6145.

ECHO®



15SL
No.