



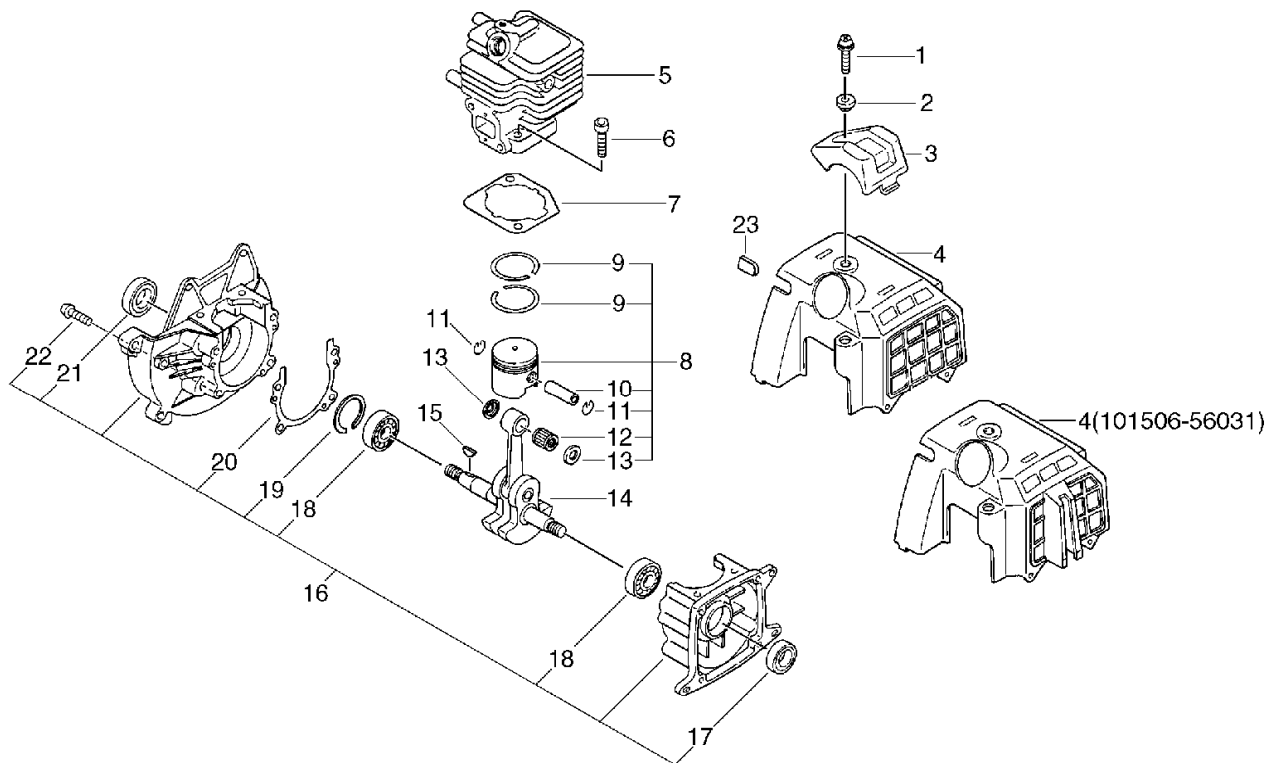
# **PARTS CATALOG**

## **GRASS-TRIMMER / BRUSHCUTTER**

**SRM-2655\_SI(6digits)(35)(36)**

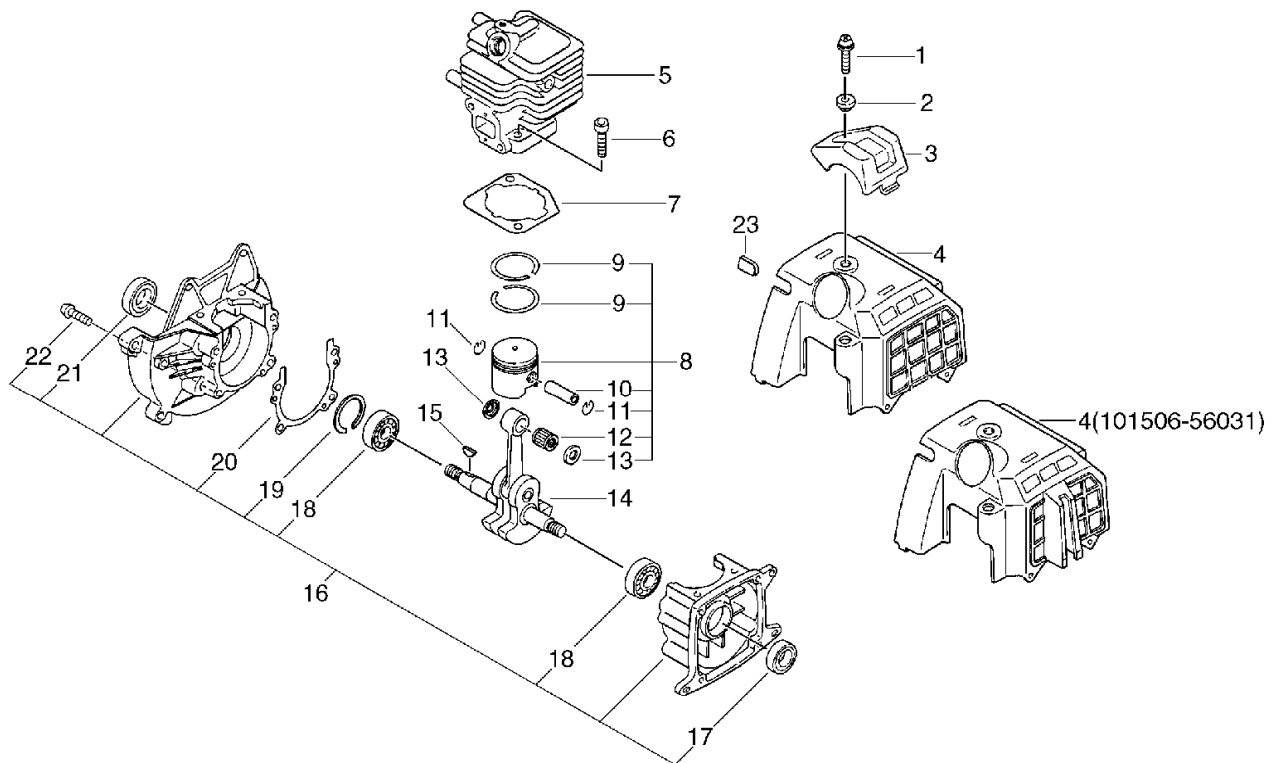
SRM-2655\_SI(6digits)(35)(36)

## 1. Cylinder, Crankcase, Piston



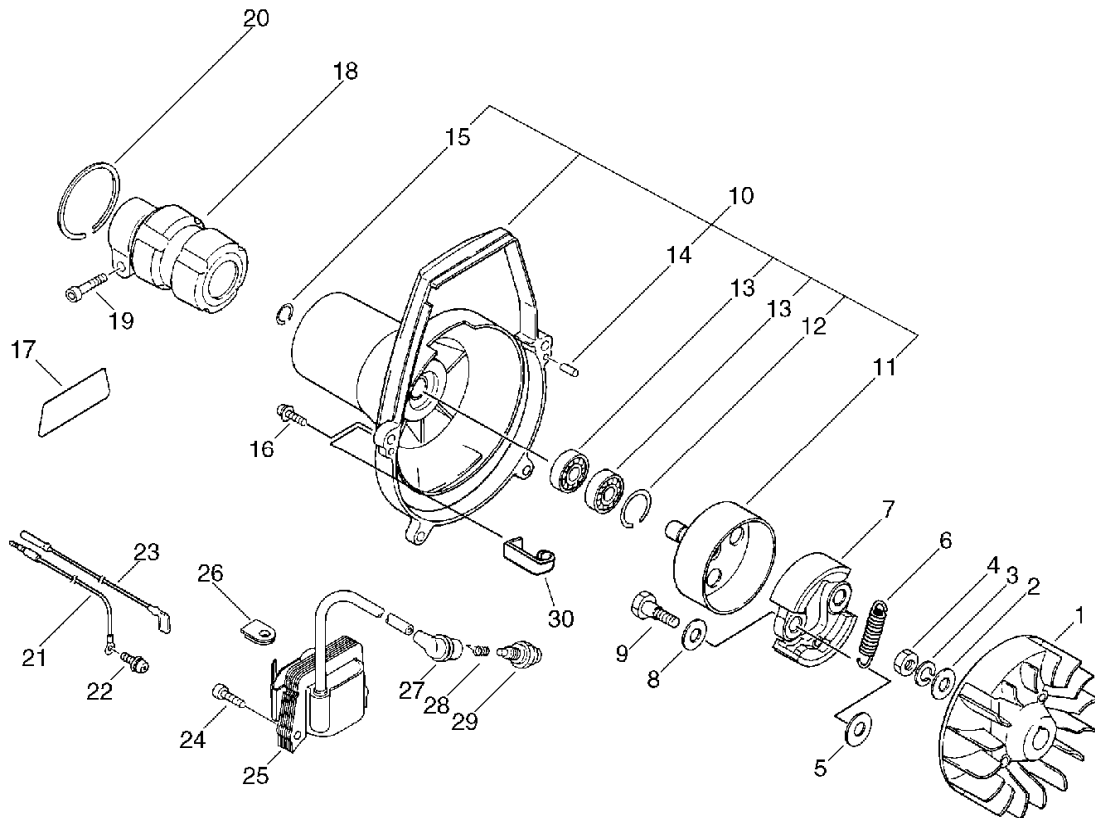
KEY	LV	PART NUMBER	Q'TY	DESCRIPTION	REMARKS	NOTE1	NOTE2
1		900239-05022	1	SCREW 5*22	5*22	Sus. by 900106-05020	
1		900106-05020	1	BOLT, H.S. 5*20	5*20	Sus. by 91121-05020	
2		101531-55930	1	COLLAR	5.5*4.5 タンツキ	Sus. by V353-000020	
2		V353-000020	1	COLLAR,5	12*5.5*4.5L		
3		159905-55930	1	GUARD, TOP			
4		101506-56031	1	COVER, CYLINDER		Sr/Nr 006610 and before	
4		A160-000220	1	COVER,CYLINDER		Sr/Nr 006611 and after	
5		101034-56532	1	CYLINDER			
6		900162-05022	4	BOLT, H.S. 5*22	5*22 W,SW		
7		101010-56030	1	GASKET, CYL. BASE			
8		100000-56031	1	PISTON KIT		Sus. by P021-000371	
8		P021-000370	1	PISTON KIT		Sus. by P021-000371	
8		P021-000371	1	PISTON KIT			
9	+	100011-09560	2	RING, PISTON		Sus. by A101-000010	
9	+	A101-000010	2	RING,PISTON			
10	+	100013-56030	1	PIN, PISTON	5*8*28	Sus. by V606-000000	
10	+	V606-000000	1	PIN,ENG 8	5*8*28		

# 1. Cylinder, Crankcase, Piston



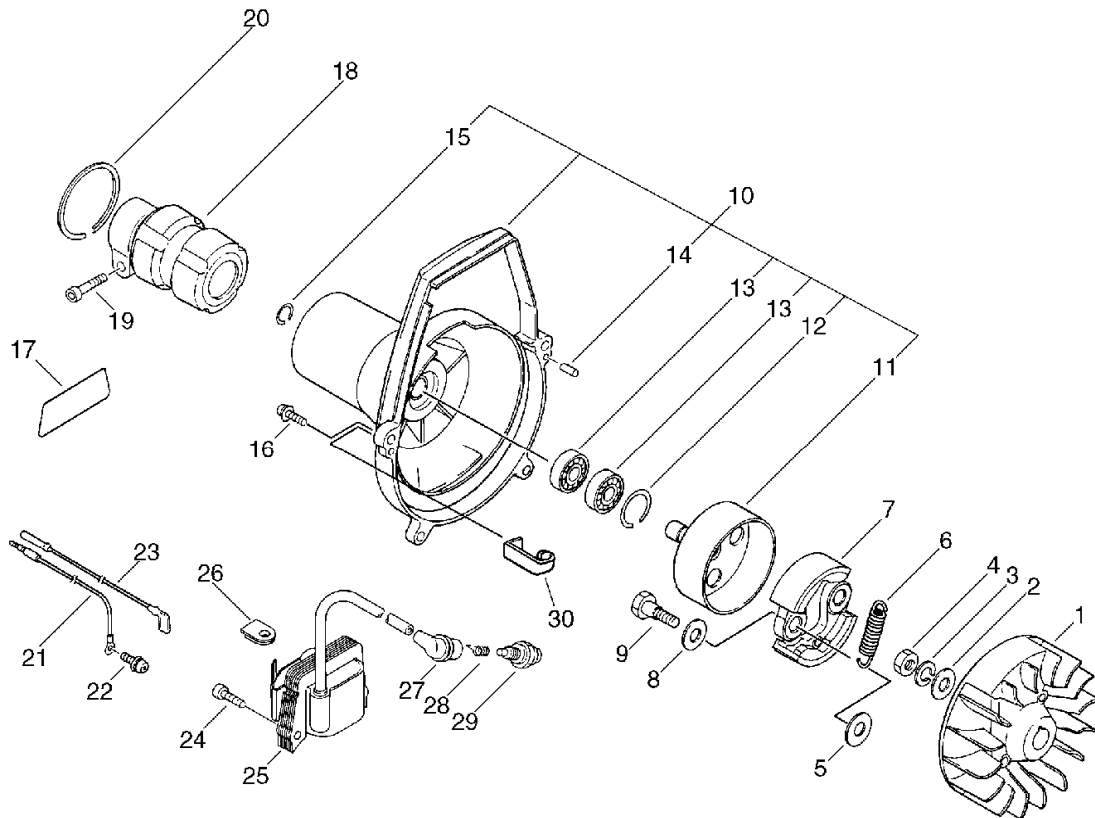
KEY	LV	PART NUMBER	Q'TY	DESCRIPTION	REMARKS	NOTE1	NOTE2
11	+	100015-04630	2	CIRCLIP, PISTON PIN			
12	+	100012-55930	1	BEARING, NEEDLE	8*11*8.7	Sus. by V553-000020	
12	+	V553-000020	1	BEARING,NEEDLE 8	KBK8X11X8.8X4		
13	+	100014-55930	2	SPACER, PISTON PIN			
14		100100-56030	1	CRANKSHAFT ASSY		Sus. by 100100-56032	
14		100100-56032	1	CRANKSHAFT			
15		100142-12330	1	KEY, WOODRUFF			
16		100204-56030	1	CRANKCASE KIT		Sus. by 100204-56232	
16		100204-56230	1	CRANKCASE KIT		Sus. by 100204-56232	
16		100204-56231	1	CRANKCASE KIT		Sus. by 100204-56232	
16		100204-56232	1	CRANKCASE KIT			
17	+	100213-05530	1	OILSEAL	ISCD 12 22 7		
18	+	900800-36001	2	BEARING, BALL 6001	6001/C3		
19	+	900702-00028	1	CIRCLIP 28	CR-28		
20	+	100242-55930	1	GASKET, CRANKCASE			
21	+	100212-28230	1	OILSEAL ISCD 12*28*7	ISCD 12*28*7		
22	+	900162-05025	4	BOLT, H.S. 5*25	5*25 W,SW		
23		101538-28230	1	GROMMET, PLUG			

## 2. Fan Cover, Magneto, Clutch



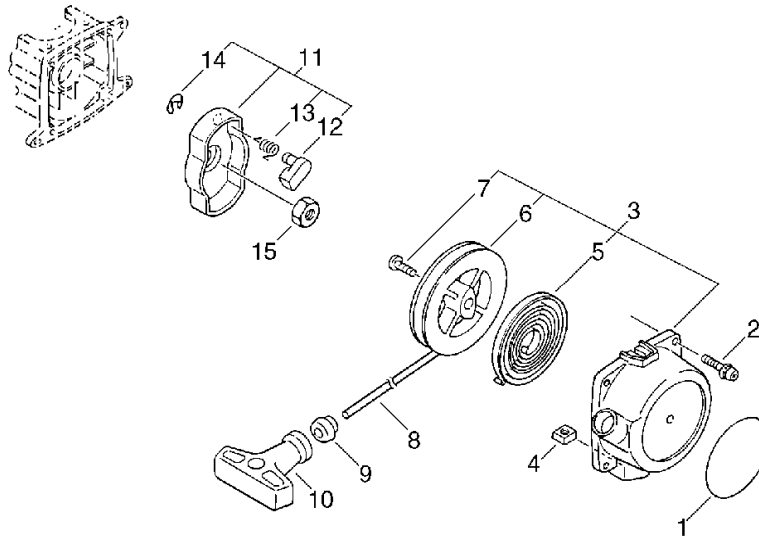
KEY	LV	PART NUMBER	Q'TY	DESCRIPTION	REMARKS	NOTE1	NOTE2
1		152801-55930	1	ROTOR, MAGNET			
2		900600-00008	1	WASHER 8	8		
3		900605-00008	1	WASHER, SPRING 8	8		
4		900502-00008	1	NUT 8 (3N)	3N8		
5		175048-05530	2	WASHER (I)	6.2*19*1.0		
6		175018-05533	1	SPRING, CLUTCH			
7		175009-55930	2	SHOE, CLUTCH		Sus. by 175009-55931	
7		175009-55931	2	SHOE, CLUTCH			
8		175049-56030	2	WASHER	8.5*16*0.5		
9		175046-56030	2	SHAFT, CLUTCH			
10		101503-56031	1	COVER ASY, FAN			
11	+	175005-55930	1	DRUM, CLUTCH			
12	+	900702-00026	1	CIRCLIP 26	CR-26		
13	+	900807-06000	2	BEARING, BALL 6000LB	6000LB/2A		
14	+	100215-03930	2	PIN, DOWEL			
15	+	900701-00010	1	CIRCLIP 10	CS-10		
16		900162-05018	2	BOLT, H.S. 5*18	5*18 W,SW	Sus. by 91118-05018	
17		890611-65830	1	LABEL, MODEL		SRM-2655	
17		X503-003440	1	LABEL,MODEL	SRM-2655SI	Sus. by X547-000120	
17		X547-000120	1	LABEL,ECHO	SRM-2655SI	SRM-2655SI	
18		610922-55931	1	HOLDER, MAIN PIPE			
19		900162-05028	1	BOLT, H.S. 5*28	5*28 W,SW	Sus. by 91118-05028	

## 2. Fan Cover, Magneto, Clutch



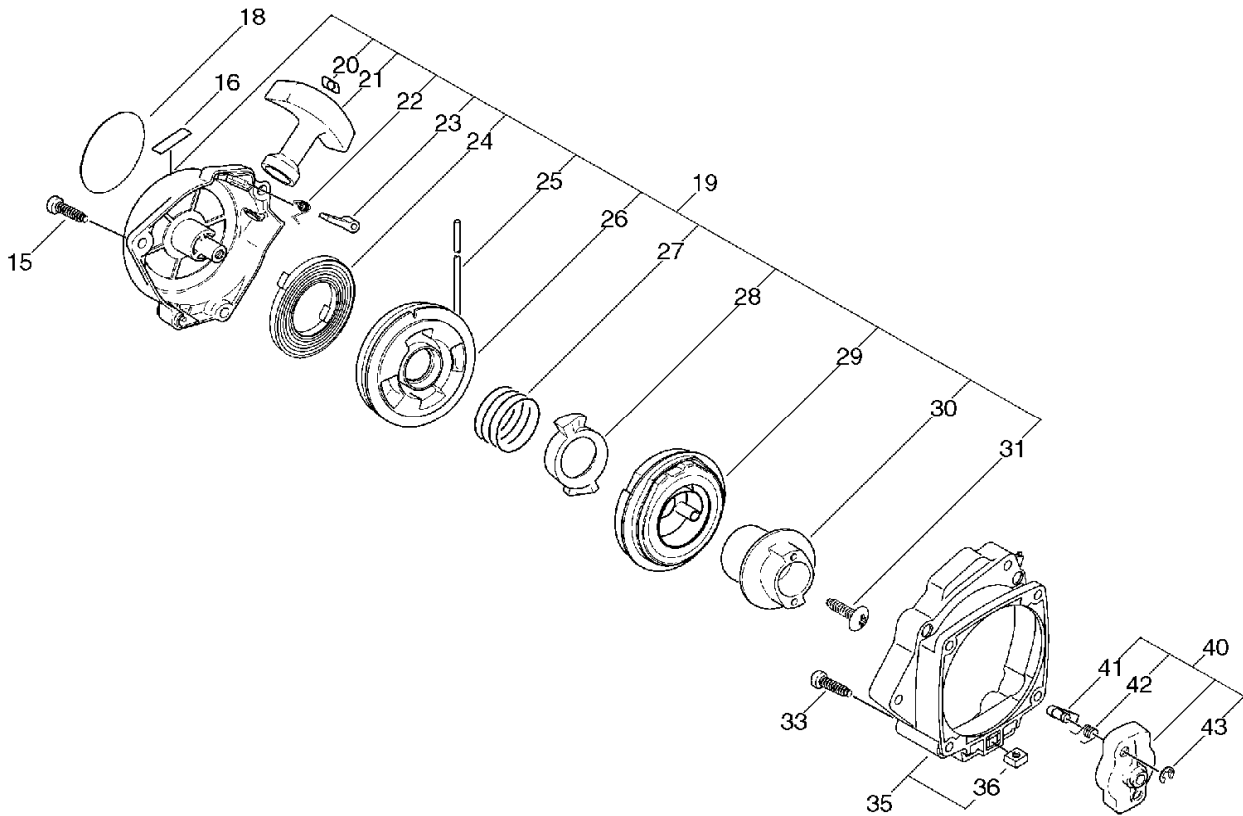
KEY	LV	PART NUMBER	Q'TY	DESCRIPTION	REMARKS	NOTE1	NOTE2
20		900702-00042	1	CIRCLIP 42	CR-42		
21		162014-52930	1	LEAD, GROUND			
22		900242-05010	1	SCREW 5*10	5*10		
23		162010-56430	1	LEAD, GROUND	145L		
24		900162-05020	2	BOLT, H.S. 5*20	5*20 W,SW	Sus. by 900162-05022	
24		900162-05022	2	BOLT, H.S. 5*22	5*22 W,SW		
25		152626-56032	1	COIL, IGNITION			
26		156112-40630	1	GROMMET			
27		159012-03433	1	CAP, SPARK PLUG			
28		159011-03432	1	COIL, SPARK PLUG			
29		159010-10230	1	PLUG, SPARK (BPMR-7A)	BPMR-7A		
30		178111-06230	1	CLIP			

## 3. Starter(SRM-2655)



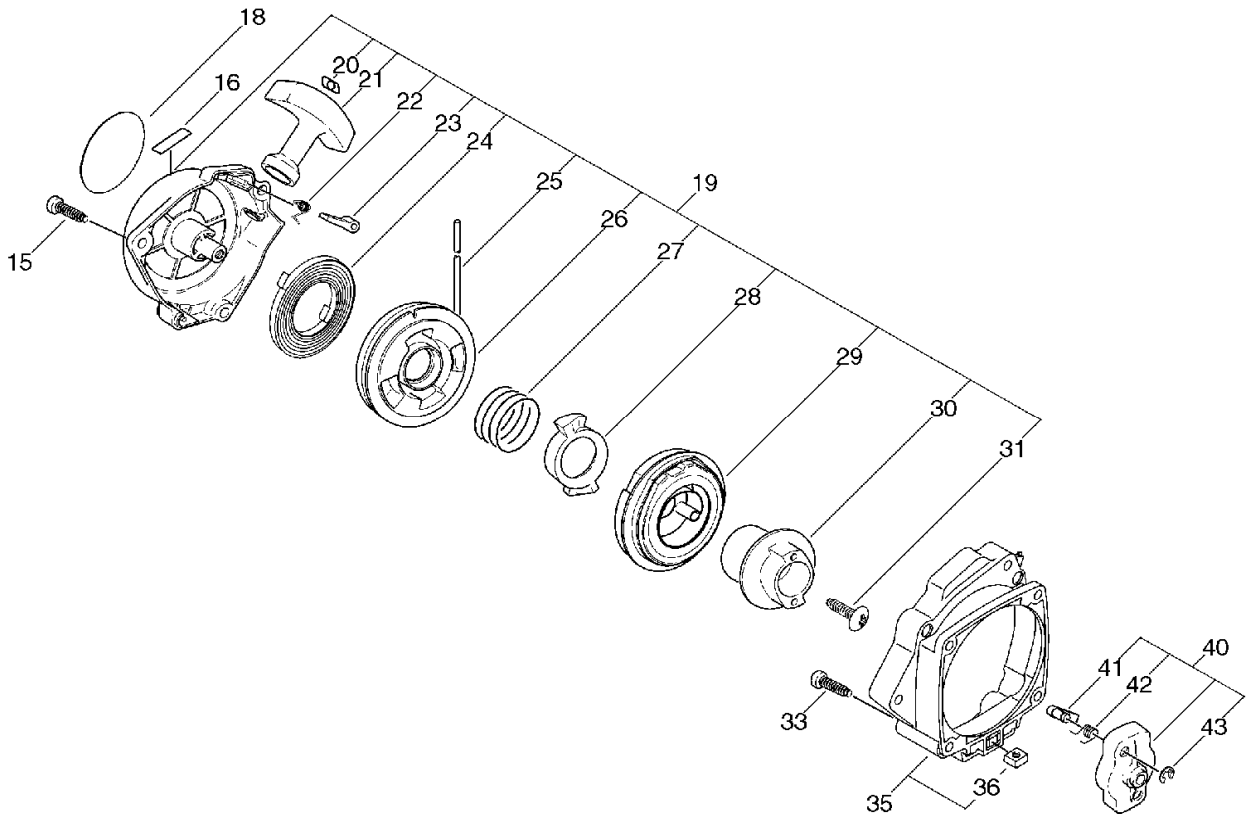
KEY	LV	PART NUMBER	Q'TY	DESCRIPTION	REMARKS	NOTE1	NOTE2
1		890118-49130	1	LABEL, ECHO		SRM-2655	
2		900162-04014	4	BOLT, H.S. 4*14	4*14 W,SW	SRM-2655	
3		177200-55931	1	STARTER ASY		SRM-2655	
4	+	900565-00005	1	NUT	5	SRM-2655	
5	+	177220-40630	1	SPRING, REWIND		SRM-2655	
6	+	177215-40630	1	DRUM, STARTER		SRM-2655	
7	+	177236-44330	1	SCREW		SRM-2655	
8	+	177226-03930	1	ROPE, STARTER	3.5*850	SRM-2655	
9	+	177227-42030	1	GUIDE, ROPE		SRM-2655	
10	+	177228-27030	1	GRIP, STARTER		SRM-2655	
11		177202-40630	1	PAWL ASSY, STARTER		SRM-2655	
12	+	177218-40630	1	PAWL, STARTER	WHITE	SRM-2655	
13	+	177234-40630	1	SPRING, RETURN		SRM-2655	
14	+	900700-00004	1	E-RING 4	CE-4	SRM-2655	
15		900502-00008	1	NUT 8 (3N)	3N8	SRM-2655	

## 4. Starter(SRM-2655SI)



KEY	LV	PART NUMBER	Q'TY	DESCRIPTION	REMARKS	NOTE1	NOTE2
15		900253-05020	3	SCREW 5*20	5*20	SRM-2655SI	
16		X505-000620	1	LABEL,CAUTION		SRM-2655SI	
18		X502-000031	1	LABEL,ECHO		Sus. by X502-000160	
18		X502-000032	1	LABEL,ECHO		Sus. by X502-000160	
18		X502-000160	1	LABEL,ECHO	ECHO	SRM-2655SI	
19		A051-000320	1	STARTER,RECOIL		Sus. by A051-000321	
19		A051-000321	1	STARTER,RECOIL		SRM-2655SI	
20	+	177246-11120	1	CLIP, STARTER ROPE		SRM-2655SI	
21	+	177228-27030	1	GRIP, STARTER		SRM-2655SI	
22	+	P022-004610	2	SPRING, RETURN		SRM-2655SI	
23	+	P022-004620	2	PAWL, STARTER		SRM-2655SI	
24	+	P022-004680	1	SPRING, SPIRAL		SRM-2655SI	
25	+	P022-004600	1	ROPE,STARTER	3.0*920	SRM-2655SI	
26	+	P022-004690	1	REEL,ROPE		SRM-2655SI	
27	+	P022-004660	1	SPRING, RETURN		SRM-2655SI	
28	+	P022-004670	1	PAWL, STARTER		SRM-2655SI	
29	+	P022-004700	1	COMPLETE,SPRING		SRM-2655SI	
30	+	P022-004710	1	PLATE,CAM		SRM-2655SI	
31	+	P022-004630	1	SCREW		SRM-2655SI	
33		900162-04014	4	BOLT, H.S. 4*14	4*14 W,SW	SRM-2655SI Sus. by 91118-04014	

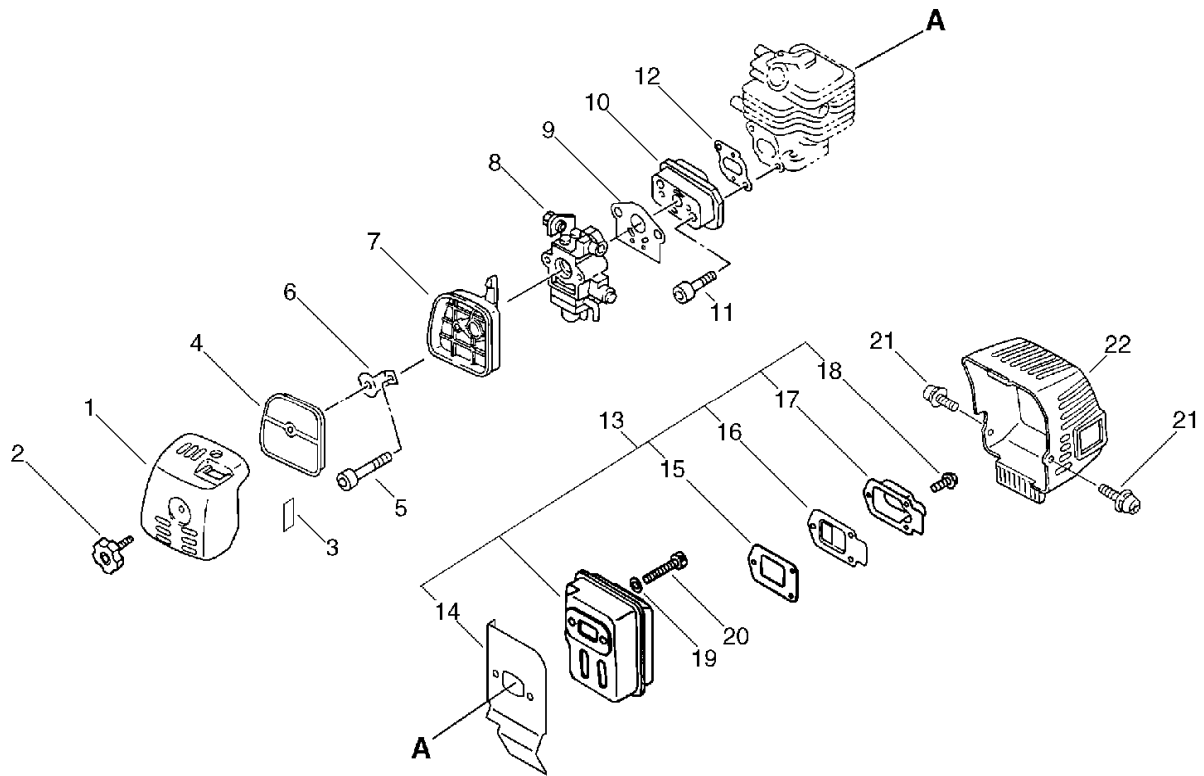
## 4. Starter(SRM-2655SI)



KEY	LV	PART NUMBER	Q'TY	DESCRIPTION	REMARKS	NOTE1	NOTE2
35		V376-000320	1	SPACER		Sus. by V376-000780	
35		V376-000780	1	SPACER		SRM-2655SI	
36	+	900565-00005	1	NUT	5	SRM-2655SI Can be used on V376-000780 only	
36		900565-00005	1	NUT	5	SRM-2655SI	
40		A052-000100	1	PULLEY,ASM STARTER		SRM-2655SI	
41	+	177218-40630	2	PAWL, STARTER	WHITE	SRM-2655SI	
42	+	177234-40630	2	SPRING, RETURN		SRM-2655SI	
43	+	P022-002100	2	E-RING	4	SRM-2655SI	

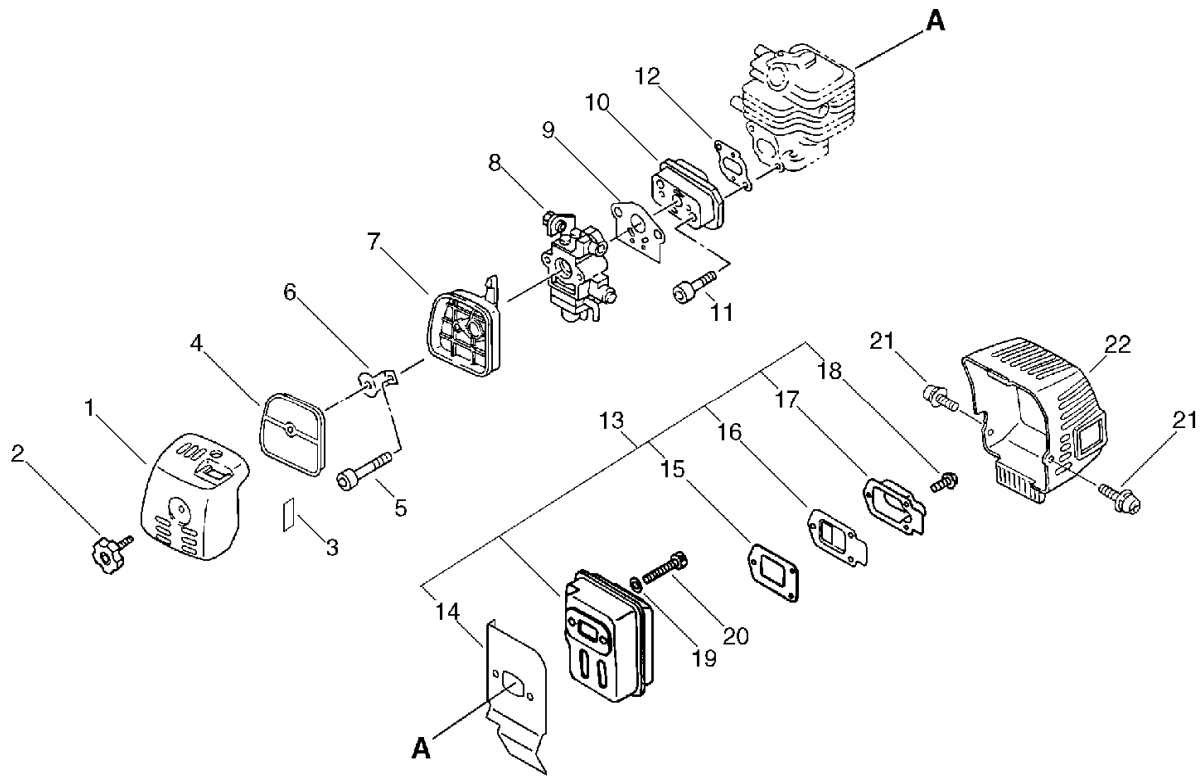


## 5. Air Cleaner, Muffler



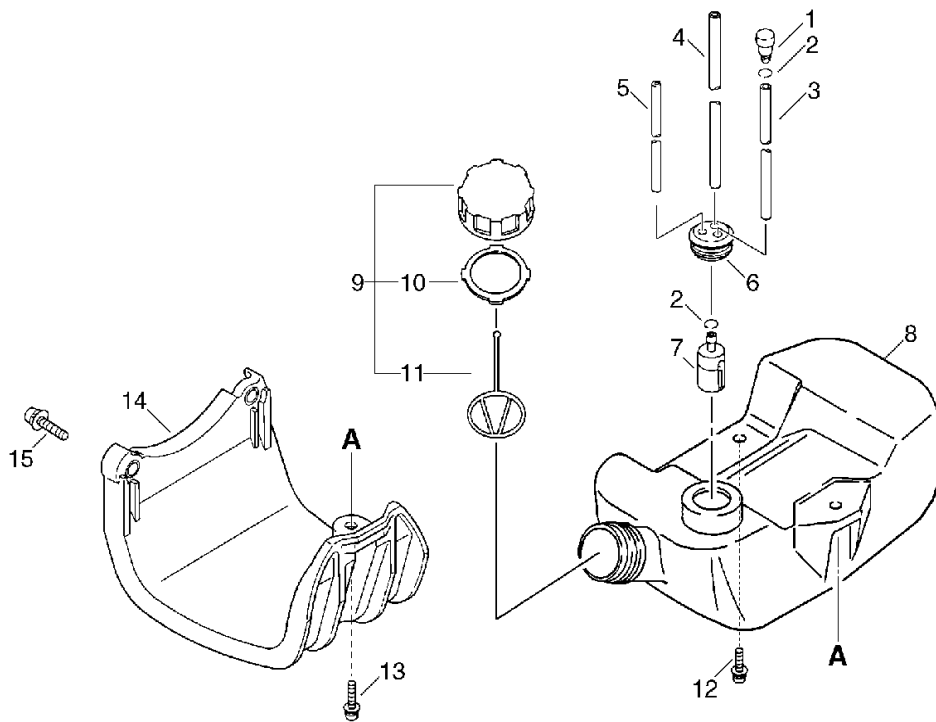
KEY	LV	PART NUMBER	Q'TY	DESCRIPTION	REMARKS	NOTE1	NOTE2
1		130313-57731	1	LID, CLEANER		Sus. by 130313-57732	
1		130313-57732	1	LID, CLEANER	ID#3410		
2		130406-52130	1	KNOB, FASTENER			
2		130406-52131	1	KNOB, FASTENER			
3		890121-65830	1	LABEL, CHOKE		Sus. by 890332-52730	
3		890332-52730	1	LABEL, CHOKE			
4		130310-51830	1	FILTER, AIR			
5		900242-05055	2	SCREW 5*55 (W/W.SW)	5*55		
6		129011-57730	1	PLATE, PRVENT		Sus. by 129011-57731	
6		129011-57731	1	PLATE,PRVENT			
7		130307-57730	1	CASE,AIR CLEANER			
8		123000-57730	1	CARBURETOR ASSY	WYJ-192	Sus. by 123000-57731	
8		123000-57731	1	CARBURETOR	WYJ-192A		
9		130010-13410	1	GASKET, INTAKE			
10		130017-56430	1	INSULATOR		Sus. by 130017-56431	
10		130017-56431	1	INSULATOR			
11		900162-05025	2	BOLT, H.S. 5*25	5*25 W,SW		
12		130010-55930	1	GASKET, INTAKE			
13		145802-65830	1	MUFFLER ASSY		Sus. by 145802-65831	
13		145802-65831	1	MUFFLER ASY			

## 5. Air Cleaner, Muffler



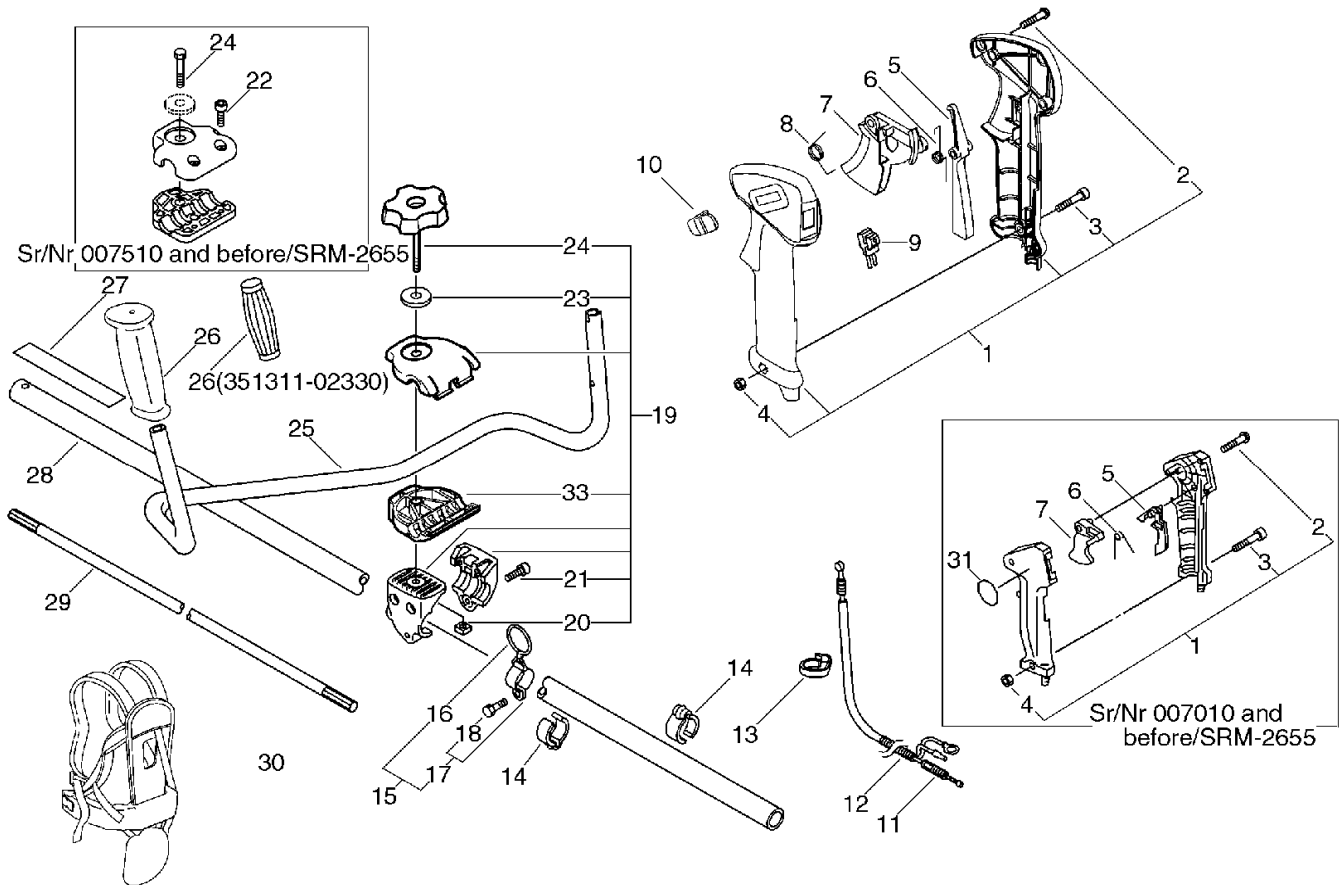
KEY	LV	PART NUMBER	Q'TY	DESCRIPTION	REMARKS	NOTE1	NOTE2
14	+	145510-55931	1	GASKET, MUFFLER		Sus. by 145510-55932	
14	+	145510-55932	1	GASKET, MUFFLER			
15	+	145866-42031	1	GASKET, MUFFLER LID			
16	+	145876-42030	1	LID, MUFFLER (B)			
17	+	145818-52130	1	GUIDE, EXHAUST			
18	+	900238-04010	3	SCREW 4*10	4*10		
19		900600-00005	2	WASHER 5	5		
20		900105-05055	2	BOLT, H.S. 5*55	5*55		
21		900162-05012	2	BOLT, H.S. 5*12	5*12 W,SW	Sus. by 91118-05012	
22		145621-57730	1	COVER, MUFFLER		Sus. by 145621-57731	
22		145621-57731	1	COVER, MUFFLER			

## 6. Fuel Tank



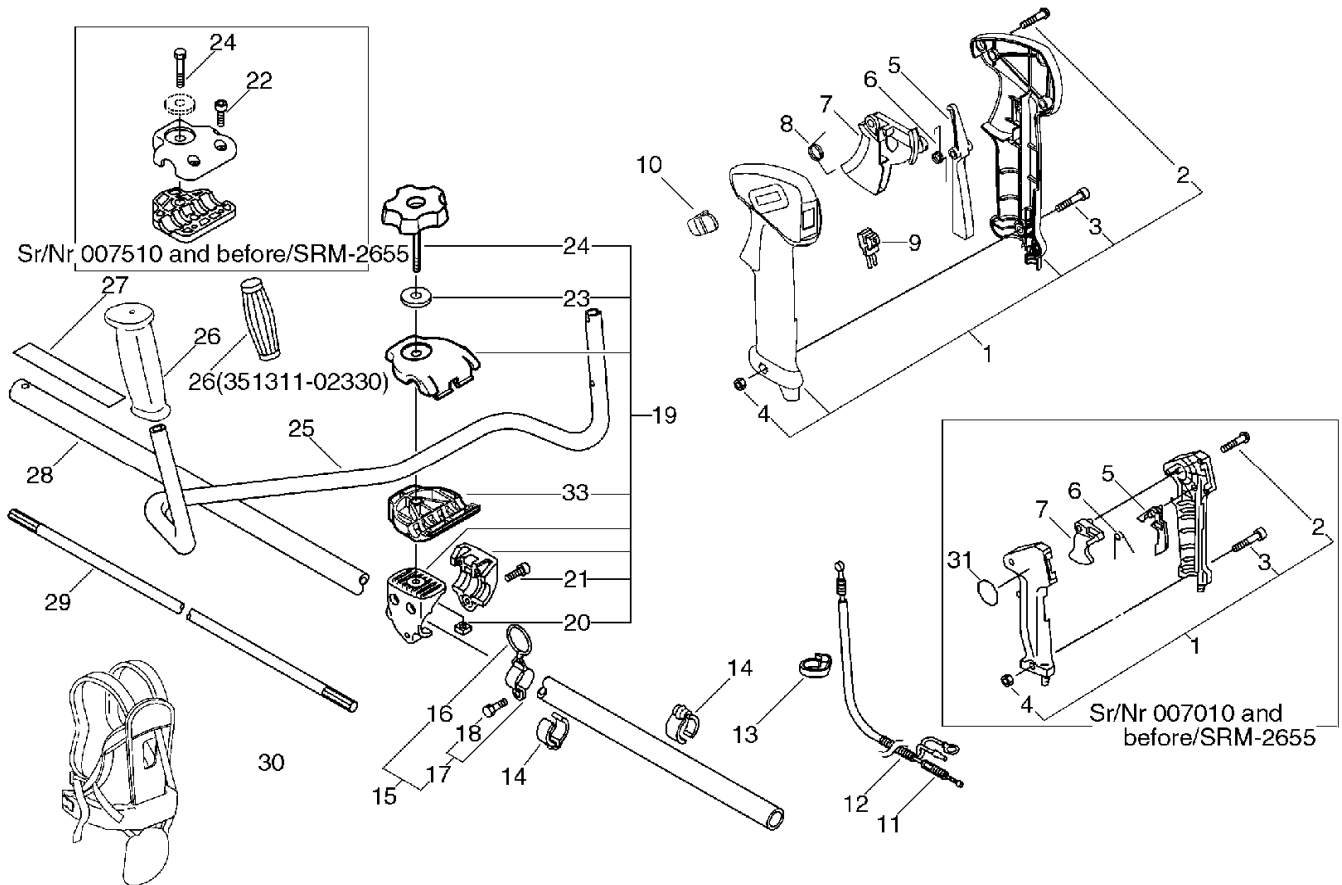
KEY	LV	PART NUMBER	Q'TY	DESCRIPTION	REMARKS	NOTE1	NOTE2
1		131300-56430	1	VALVE, CHECK			
2		132013-26630	2	CLIP	6.5MM		
3		437217-20760	1	PIPE 3*6*100	3*6*100 NBR		
4		132010-52030	1	PIPE	3*6*170 NBR		
5		437215-20760	1	PIPE 3*6*60	3*6*60 YL		
6		132115-55930	1	GROMMET, FUEL			
7		131205-19830	1	STRAINER, FUEL			
8		131005-56531	1	TANK, FUEL		Sus. by 131005-56532	
8		131005-56532	1	TANK, FUEL			
9		131004-55530	1	CAP ASSY, FUEL TANK			
10	+	131016-55830	1	GASKET, FUEL CAP			
11	+	131051-56030	1	CLIP, FUEL CAP	100L		
12		900239-05016	2	SCREW 5*16	5*16		
13		900244-05020	1	SCREW	5*20		
14		305110-57731	1	STAND		Sus. by 305110-57733	
14		305110-57732	1	STAND		Sus. by 305110-57733	
14		305110-57733	1	STAND			
15		900162-05022	2	BOLT, H.S. 5*22	5*22 W,SW	Sus. by 91118-05022	

## 7. U-Handle



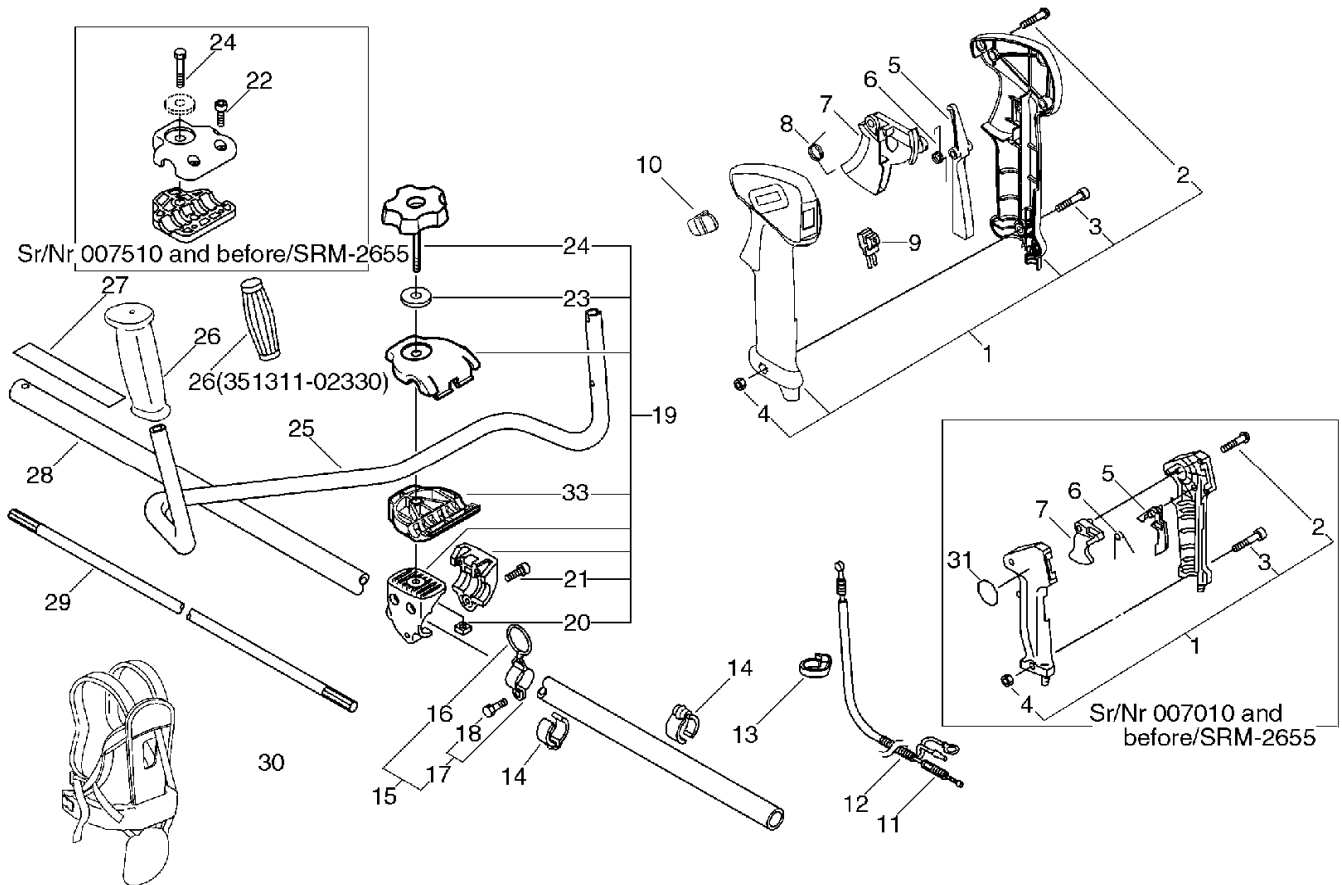
KEY	LV	PART NUMBER	Q'TY	DESCRIPTION	REMARKS	NOTE1	NOTE2
1		351102-47530	1	GRIP ASSY, F-HANDLE		Sr/Nr 007010 and before/SRM-2655	
1		P021-002610	1	GRIP ASY,F-HANDLE		Sus. by P021-002612	
1		P021-002610	1	GRIP ASY,F-HANDLE		Sus. by P021-002612	
1		P021-002611	1	GRIP ASY,F-HANDLE		Sus. by P021-002612	
1		P021-002612	1	GRIP ASY,F-HANDLE		Sr/Nr 007011 and after/SRM-2655SI	
2	+	900246-03025	4	SCREW 3*25	3*25	Sr/Nr 007010 and before/SRM-2655	
2	+	900246-04016	3	SCREW 4*16	4*16	Sus. by 900253-04016	
2	+	900253-04016	3	SCREW 4*16	4*16	Sr/Nr 007011 and after/SRM-2655	
2	+	900253-04016	3	SCREW 4*16	4*16	SRM-2655SI	
3	+	900220-05030	1	SCREW 5*30	5*30		
4	+	900500-00005	1	NUT 5	5		
5		178012-05960	1	LOCKOUT, THROTTLE		Sr/Nr 007010 and before/SRM-2655	

## 7. U-Handle



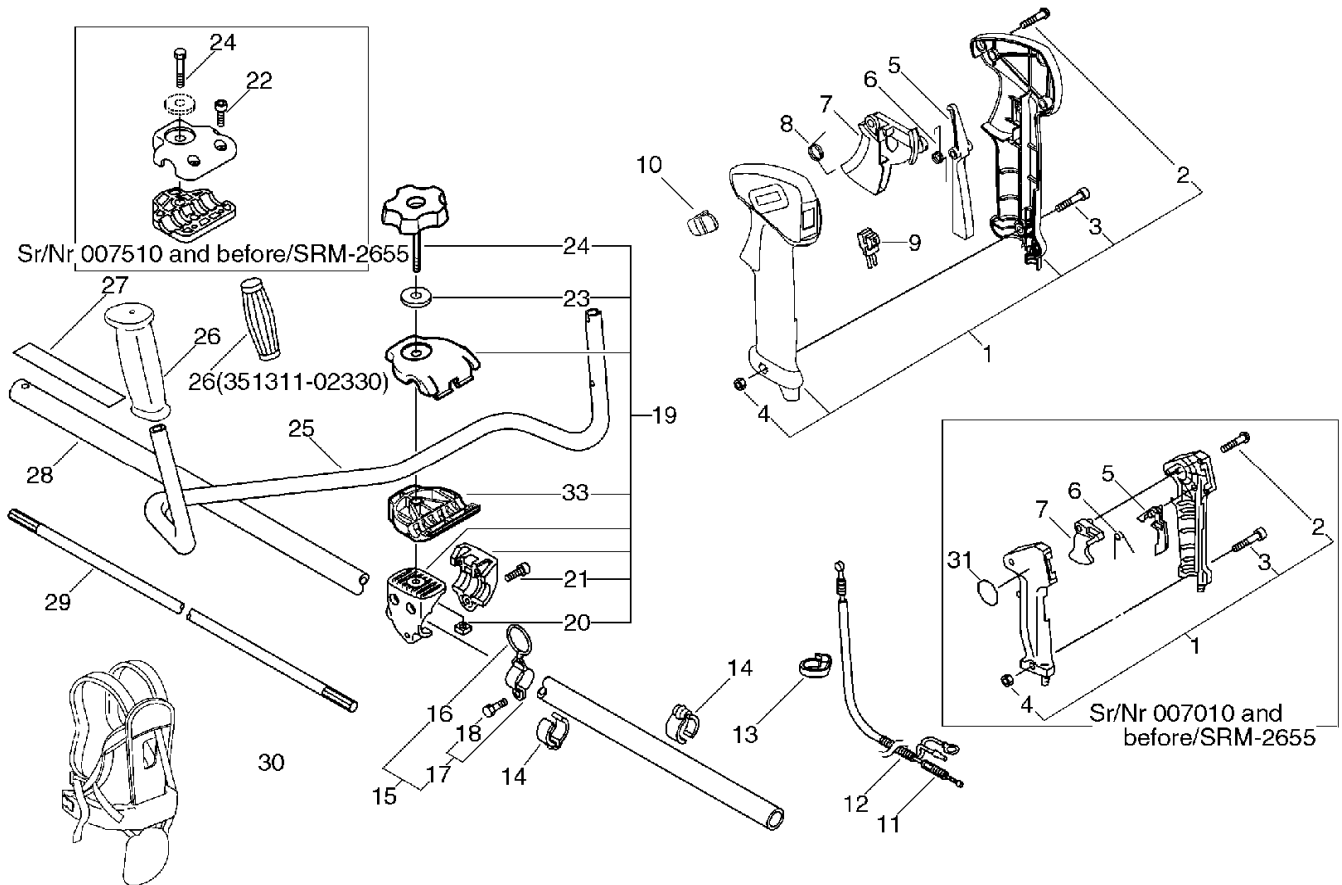
KEY	LV	PART NUMBER	Q'TY	DESCRIPTION	REMARKS	NOTE1	NOTE2
5		C460-000010	1	LOCKOUT,THROTTLE		Sus. by C460-000011	
5		C460-000010	1	LOCKOUT,THROTTLE		Sus. by C460-000011	
5		C460-000011	1	LOCKOUT,THROTTLE			
6		178013-35631	1	SPRING, THR. LOCK		Sr/Nr 007010 and before/SRM-2655	
6		V452-000050	1	SPRING,TORSION		Sr/Nr 007011 to 008210 /SRM-2655	
6		V452-000050	1	SPRING,TORSION		Sr/Nr 35002660 and before/SRM-2655SI	
6		V452-000130	1	SPRING,TORSION		Sr/Nr 008929 and after/SRM-2655	
6		V452-000130	1	SPRING,TORSION		Sr/Nr 35002661 and after/SRM-2655SI	
7		178010-05960	1	CONTROL, THROTTLE		Sr/Nr 007010 and before/SRM-2655	
7		C450-000020	1	TRIGGER,THROTTLE		Sus. by C450-000022	

## 7. U-Handle



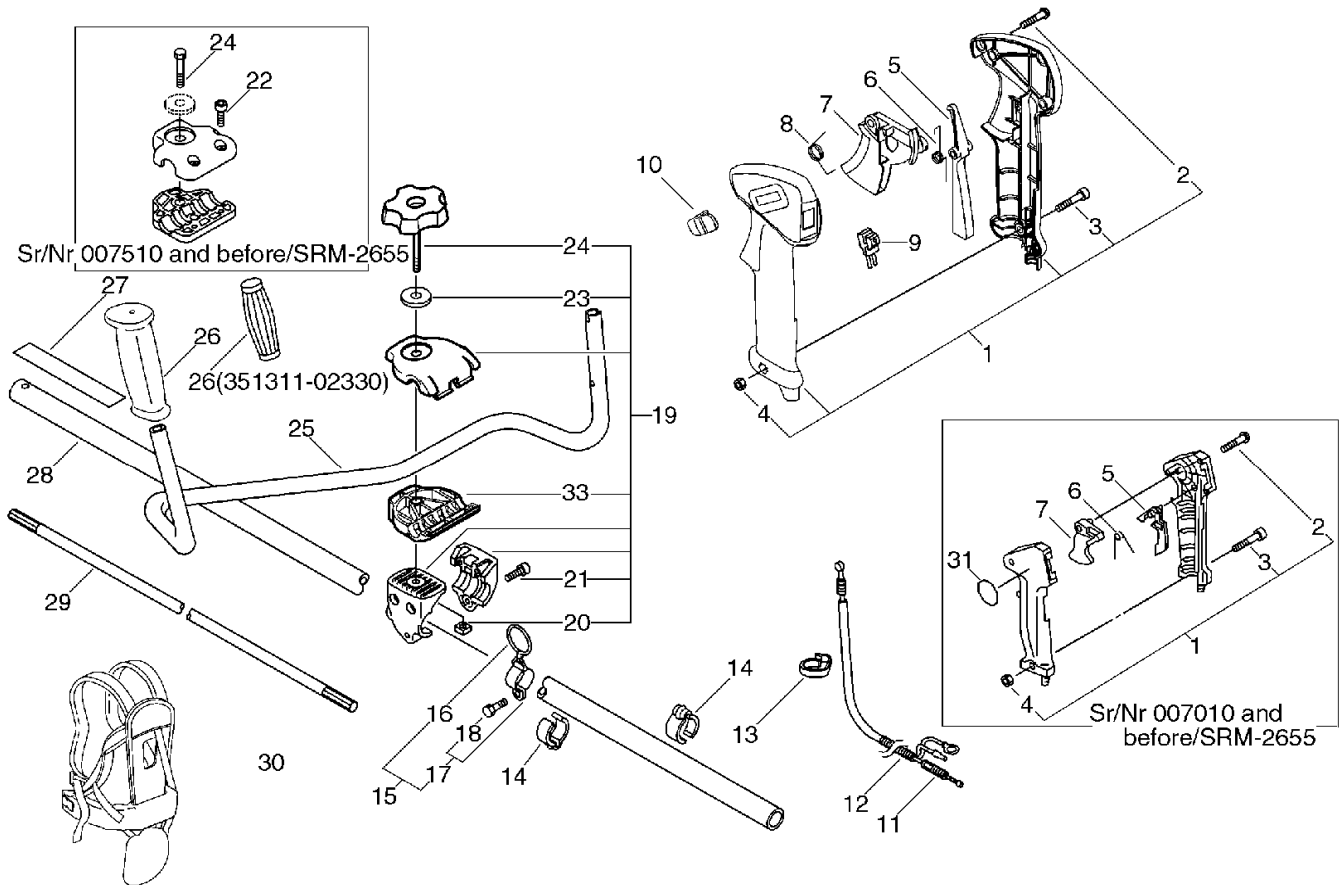
KEY	LV	PART NUMBER	Q'TY	DESCRIPTION	REMARKS	NOTE1	NOTE2
7		C450-000020	1	TRIGGER,THROTTLE		Sus. by C450-000022	
7		C450-000021	1	TRIGGER,THROTTLE		Sus. by C450-000022	
7		C450-000022	1	TRIGGER,THROTTLE			
8		V452-000060	1	SPRING,TORSION		Sr/Nr 007011 and after/SRM-2655	
8		V452-000060	1	SPRING,TORSION		SRM-2655SI	
9		163401-43130	1	SWITCH, IGNITION			
10		C463-000000	1	KNOB,LATCH		Sr/Nr 008929 and after/SRM-2655	
10		C463-000000	1	KNOB,LATCH		Sr/Nr 35002661 and after/SRM-2655SI	
11		178001-59230	1	CABLE, THROTTLE		Sr/Nr 007010 and before/SRM-2655	
11		V430-000360	1	CABLE,BOWDEN		Sus. by V430-000362	
11		V430-000361	1	CABLE,BOWDEN		Sus. by V430-000362	
11		V430-000361	1	CABLE,BOWDEN		Sus. by V430-000362	
11		V430-000362	1	CABLE,BOWDEN	SRM-2655		

## 7. U-Handle



KEY	LV	PART NUMBER	Q'TY	DESCRIPTION	REMARKS	NOTE1	NOTE2
12		V475-000000	1	TUBE	7*790		
13		159112-09960	1	CLIP		Sus. by 159112-09961	
13		159112-09961	1	CLIP			
14		224924-52130	2	CLIP	25MM		
15		301200-21330	1	HOOK ASS'Y		Sus. by P021-002751	
16	+	301015-05330	1	HOOK, BAND			
17	+	301205-21330	1	HOOK			
18	++	900105-05012	1	BOLT, H.S. 5*12	5*12	Sus. by 91119-05012	
19		351301-52130	1	BRACKET ASSY, HANDLE		Sr/Nr 007510 and before/SRM-2655	
19		P021-002750	1	BRACKET ASY, HANDLE		Sr/Nr 007511 and after/SRM-2655	
19		P021-002750	1	BRACKET ASY, HANDLE		Sus. by P021-002751	
19		P021-002751	1	BRACKET ASY, HANDLE		SRM-2655SI Sus. by P021-012820	
20	+	900565-50008	1	NUT	8*1.25		
21	+	900162-05030	3	BOLT, H.S. 5*30	5*30 W,SW	Sus. by 91118-05030	

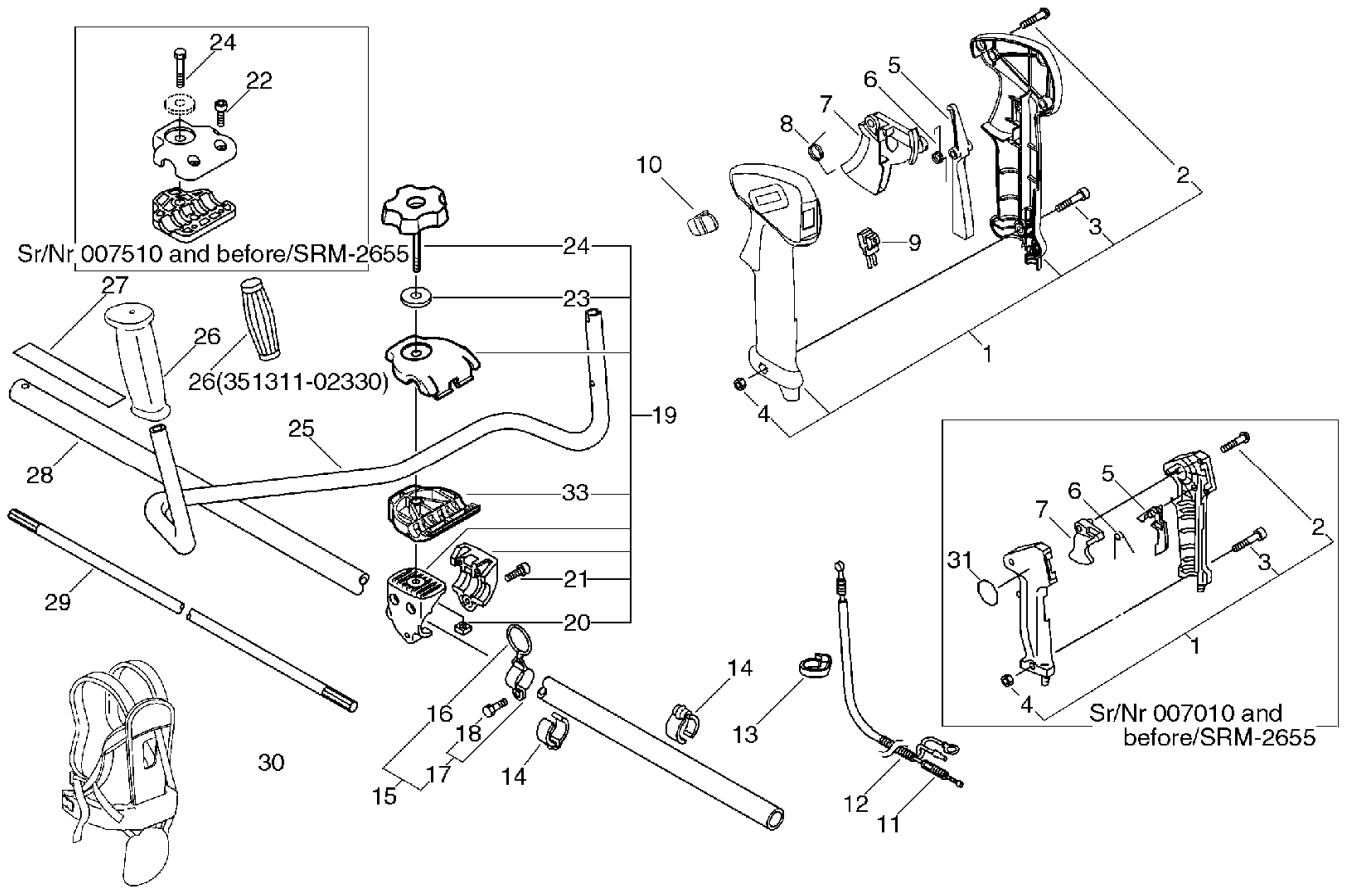
## 7. U-Handle



KEY	LV	PART NUMBER	Q'TY	DESCRIPTION	REMARKS	NOTE1	NOTE2
22	+	900162-05020	2	BOLT, H.S. 5*20	5*20 W,SW	Sr/Nr 007510 and before/SRM-2655	
23	+	605014-54230	1	WASHER			
24	+	351421-52130	1	BOLT		Sr/Nr 007510 and before/SRM-2655	
24	+	V299-000110	1	KNOB,FASTENER		Sr/Nr 007511 and after/SRM-2655	
24	+	V299-000110	1	KNOB,FASTENER		SRM-2655SI	
33	+	C423-000040	1	#N/A		Sus. by C423-000041	
33	+	C423-000041	1	FIXTURE,HANDLE			
25		351214-52130	1	HANDLE, FRONT		Sus. by C400-000000	
25		C400-000000	1	HANDLE,FRONT			
26		351311-02330	1	GRIP, HANDLE		Sr/Nr 007010 and before/SRM-2655	
26		C403-000030	1	GRIP,HANDLE		Sr/Nr 007011 and after/SRM-2655	
26		C403-000030	1	GRIP,HANDLE		SRM-2655SI	
27		890617-43130	1	LABEL,CAUTION			
28		610206-23030	1	HOUSING ASS'Y, D.SFT			

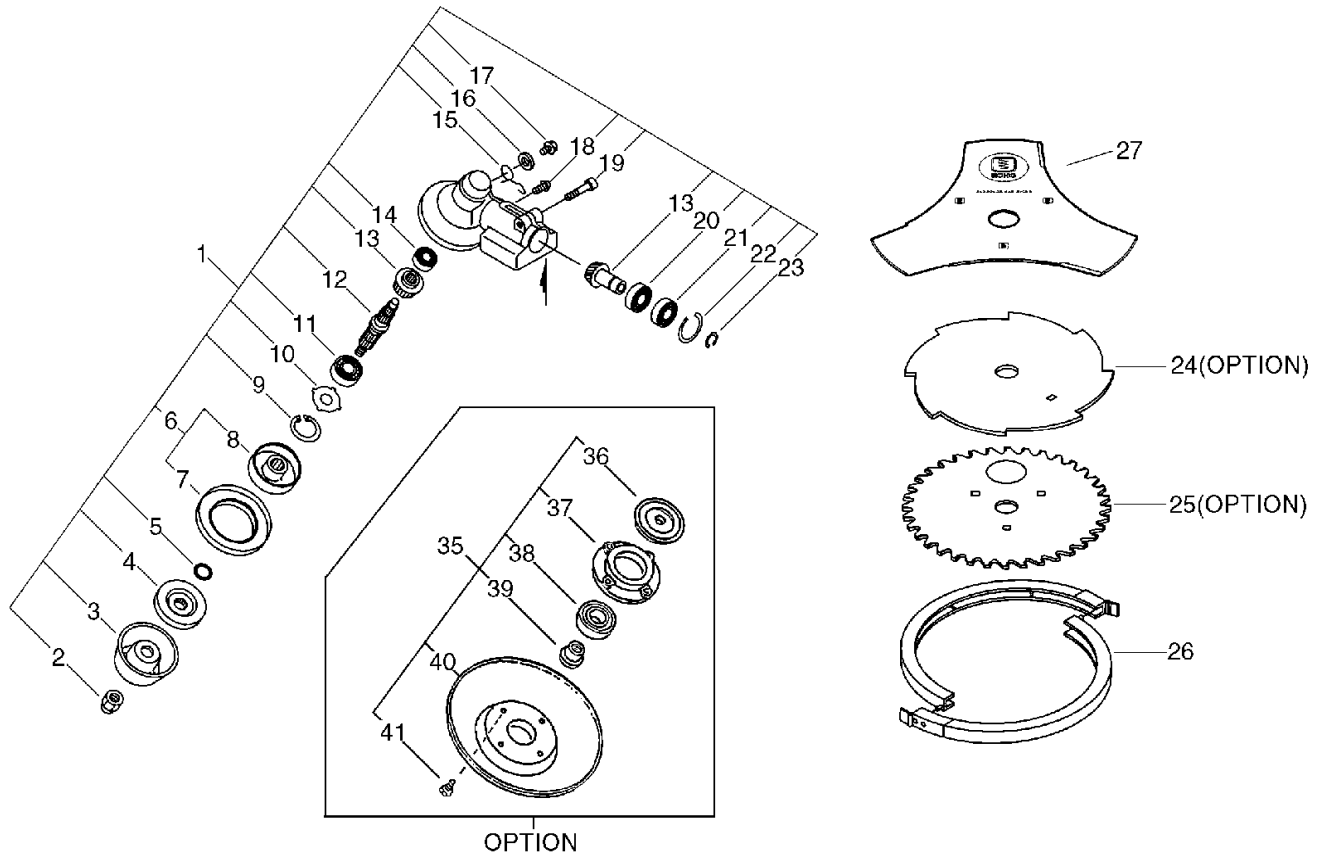


## 7. U-Handle



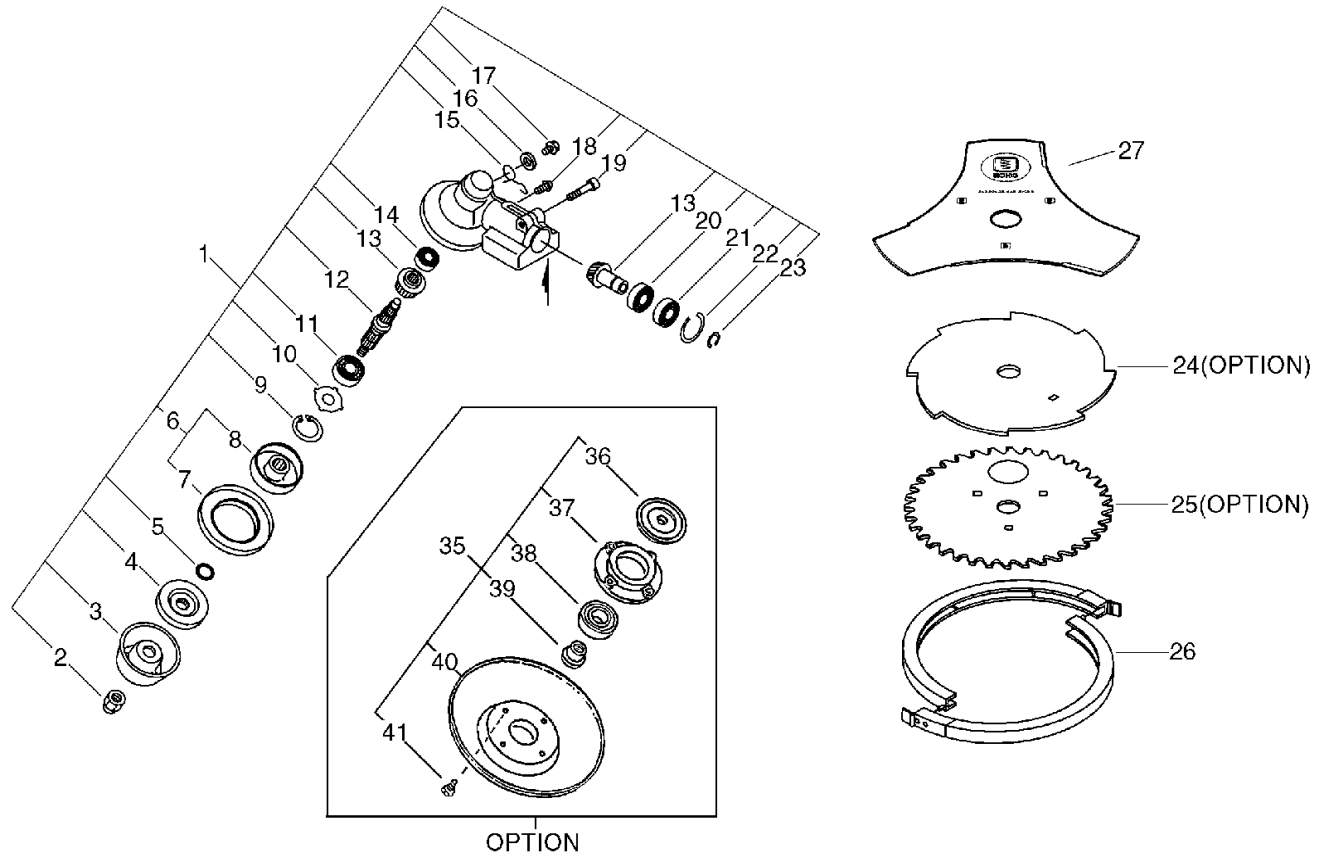
KEY	LV	PART NUMBER	Q'TY	DESCRIPTION	REMARKS	NOTE1	NOTE2
29		610011-25530	1	SHAFT, DRIVE			
30		301001-56831	1	HARNES ASY, SHOULDER		Sus. by C062-000180	
30		C062-000180	1	HARNES, SHOULDER	ECHO		
31		890157-39130	1	LABEL, SWITCH		Sr/Nr 007010 and before/SRM-2655	

## 8. Gear Case(U-Handle Type), Blade



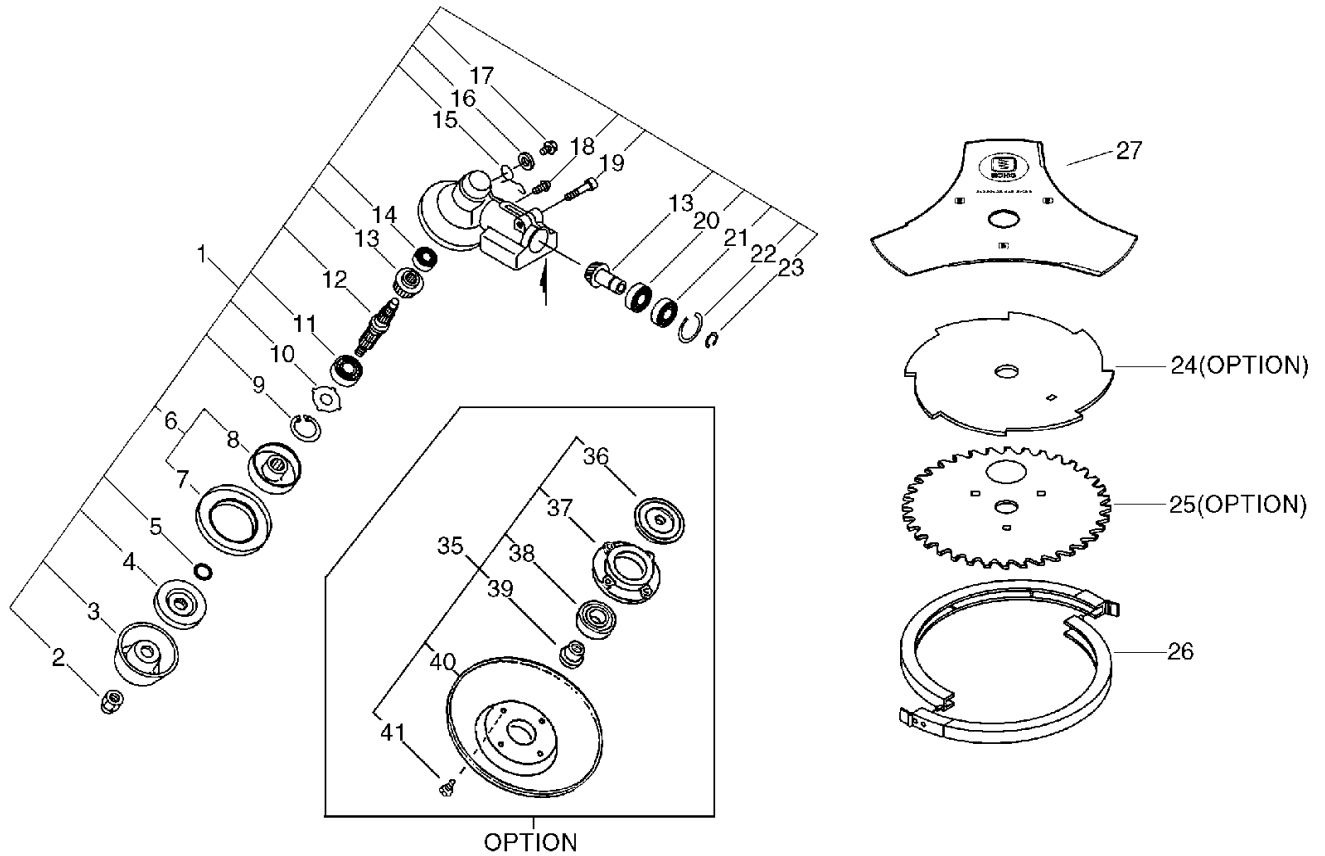
KEY	LV	PART NUMBER	Q'TY	DESCRIPTION	REMARKS	NOTE1	NOTE2
1		610400-52131	1	CASE ASY, GEAR		Sus. by 610400-52132	
1		610400-52132	1	CASE ASY, GEAR		Sus. by P021-012600	
2	+	610320-52130	1	NUT 10			
3	+	699229-56830	1	PLATE, COVER			
4	+	610314-52130	1	PLATE, ADAPTER (L)			
5	+	900720-00012	1	O-RING 12	P-12		
6	+	C535-000000	1	FIXTURE, BLADE		Sus. by C535-000001	
6	+	C535-000001	1	FIXTURE, BLADE			
7	++	610352-56830	1	PLATE, CUP			
8	++	C53500-00010	1	FIXTURE, BLADE		Sus. by C53500-00011	
8	++	C53500-00011	1	FIXTURE, BLADE			
9	+	900702-00032	1	CIRCLIP 32	CR-32		
10	+	610444-56830	1	WASHER			
11	+	900812-06201	1	BEARING, BALL 6201	6201DDU(LLU)		
12	+	610310-56830	1	SHAFT, P.T.O.			
13	+	610300-25531	1	GEAR SET	7S		
14	+	900810-00626	1	BEARING, BALL 626	626		
15	+	610473-52131	1	SPRING			
16	+	900603-50008	1	WASHER	8.5*18*0.8T		
17	+	610434-50030	1	BOLT 8*6		Sus. by 610434-50031	
17	+	610434-50031	1	BOLT 8*8	M8*8		

## 8. Gear Case(U-Handle Type), Blade



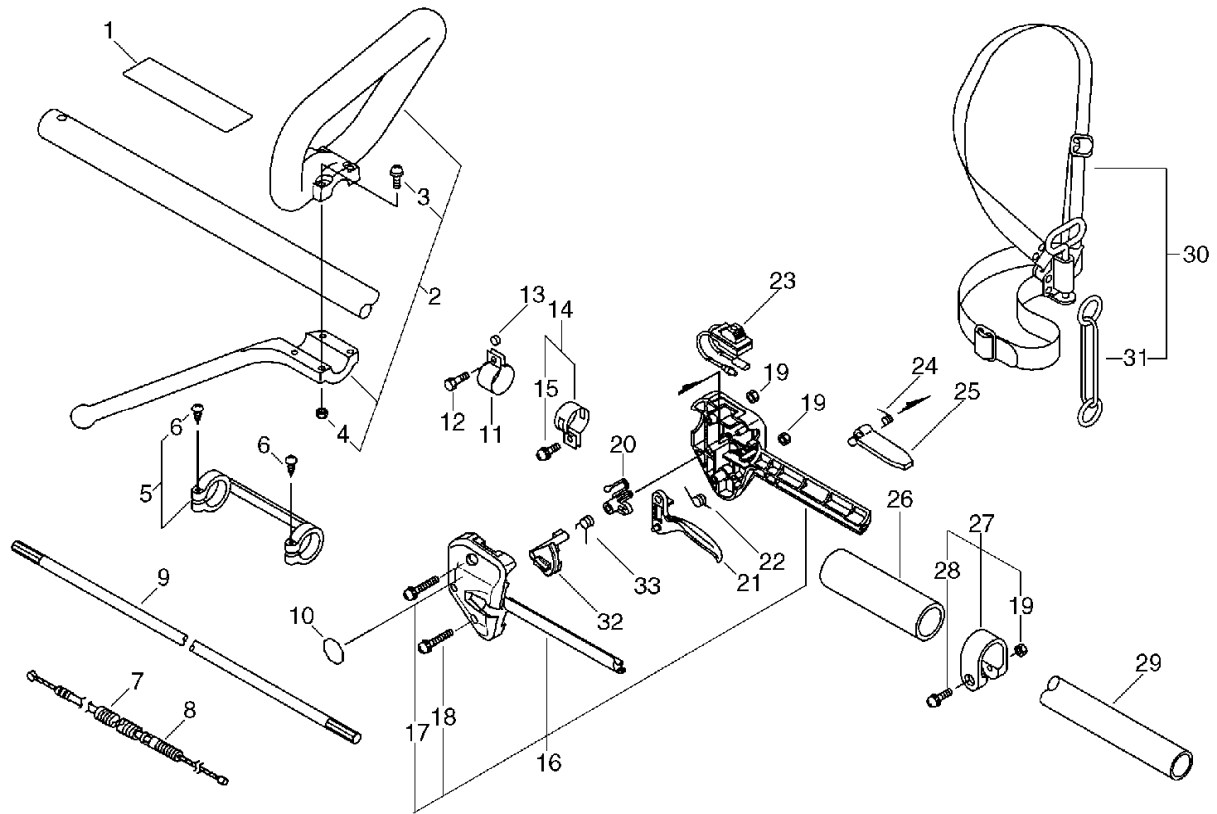
KEY	LV	PART NUMBER	Q'TY	DESCRIPTION	REMARKS	NOTE1	NOTE2
18	+	900242-05010	1	SCREW 5*10	5*10		
19	+	900162-06025	1	BOLT, H.S. 6*25	6*25 W,SW	Sus. by 91118-06025	
20	+	900855-06900	1	BEARING, BALL 6900	6900		
21	+	900858-06900	1	BEARING, BALL 6900Z	6900Z		
22	+	900702-00022	1	CIRCLIP 22	CR-22		
23	+	900706-00010	1	CIRCLIP 10	WR-10		
26		898523-47130	1	SCABBARD, BLADE		Sus. by P021-007470	
26		P021-007470	1	SCABBARD, BLADE			
27		X405-000010	1	SAW, BUSH CUTTER	3*230*25.4*T2.0	Sus. by X405-000011	
27		X405-000011	1	SAW, BUSH CUTTER	3*230*25.4*T2.0		
24		696001-44730	1	BLADE, 8-CUTTER 9IN		Sus. by 696001-44731	
24		696001-44731	1	BLADE, 8-CUTTER 9IN	230*8T*1.4 PD25	OPTION	
25		695001-44730	1	SAW, CIRCULAR 9*80T		Sus. by 695001-44731	
25		695001-44731	1	SAW, CIRCULAR 9*80T	230*80P*1.4 PD25	OPTION	
35		699200-56830	1	CAP ASSY, FREE		OPTION	
36	+	610313-56830	1	PLATE, ADAPTER (U)		OPTION	
37	+	699226-05430	1	HOLDER, BEARING		OPTION	
38	+	900814-06202	1	BEARING, BALL 6202	6202ZZ	OPTION	

## 8. Gear Case(U-Handle Type), Blade



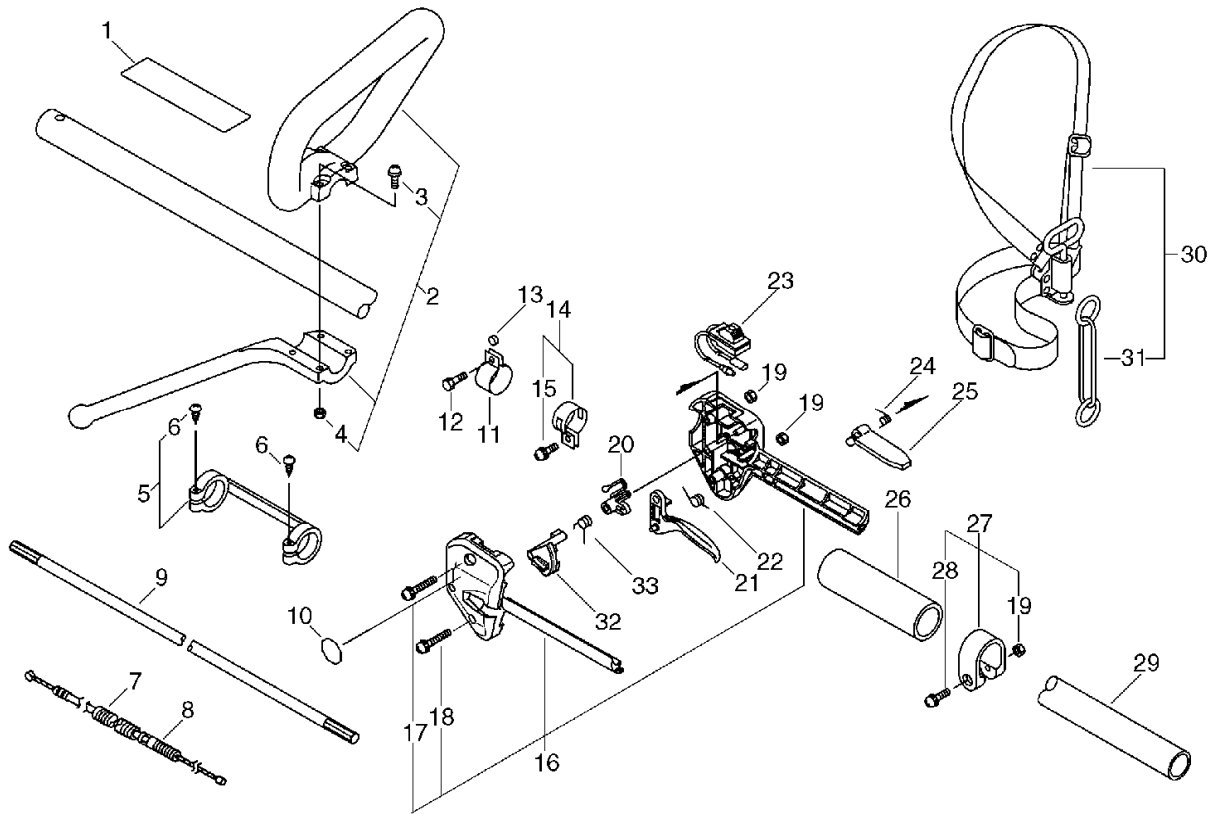
KEY	LV	PART NUMBER	Q'TY	DESCRIPTION	REMARKS	NOTE1	NOTE2
39	+	699227-04630	1	NUT		OPTION	
40	+	699228-08930	1	PLATE, COVER		OPTION	
41	+	900141-05012	4	BOLT 5*12	5*12	OPTION	

## 9. Loop Handle



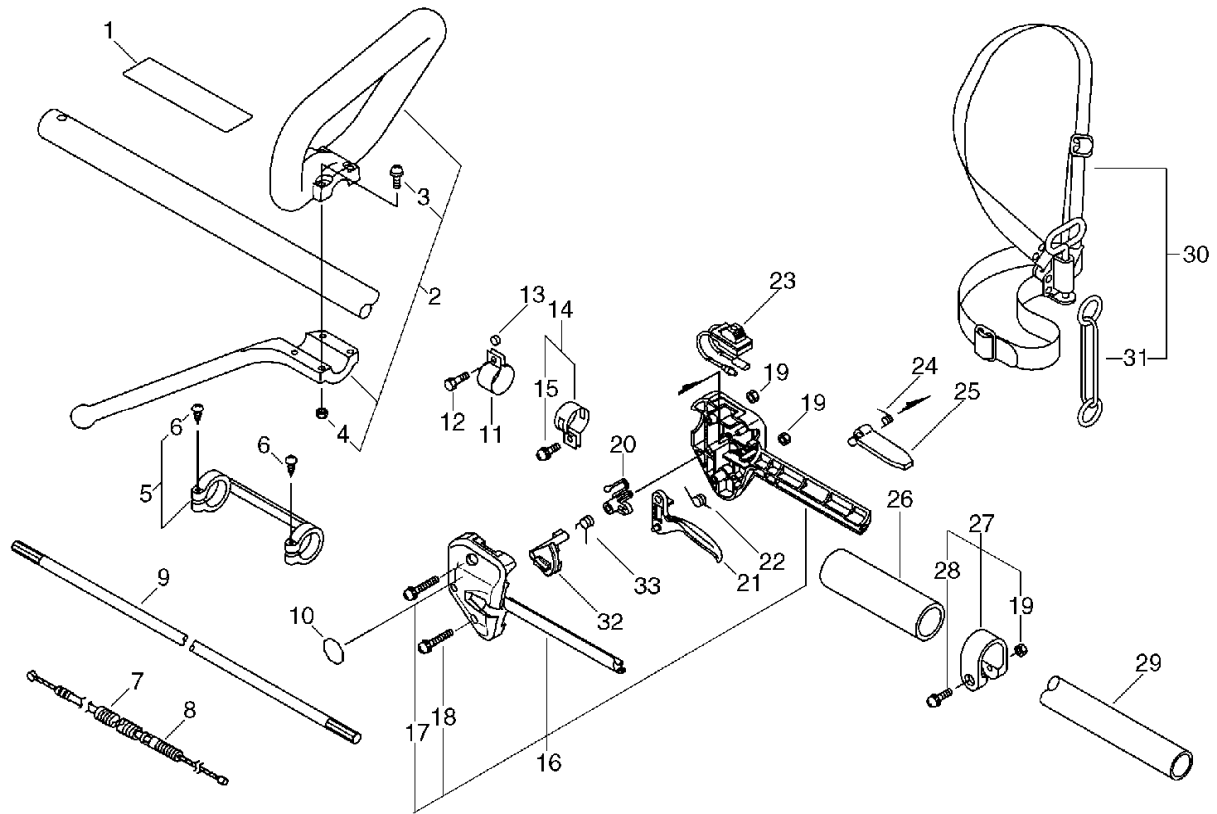
KEY	LV	PART NUMBER	Q'TY	DESCRIPTION	REMARKS	NOTE1	NOTE2
1		890617-63630	1	LABEL,CAUTION		Sus. by 890617-43130	
1		X505-000140	1	LABEL,CAUTION		Sus. by 890617-43130	
1		890617-43130	1	LABEL,CAUTION			
2		351201-54130	1	HANDLE ASSY, LOOP			
3	+	900242-05035	4	SCREW 5*35	5*35		
4	+	900500-00005	4	NUT 5	5		
5		610281-54130	1	COLLER			
6	+	900253-04025	2	SCREW 4*25	4*25		
7		162110-56530	1	TUBE	7*175		
8		178001-56530	1	WIRE, THROTTLE	72*380L		
9		610011-25530	1	SHAFT, DRIVE			
10		890157-39130	1	LABEL, SWITCH			
11		301207-08930	1	HOOK			
12		900100-05018	1	BOLT 5*18	5*18		
13		699012-03330	1	SPACER			
14		301200-29430	1	BAND ASSY			
15	+	900242-05014	1	SCREW 5*14	5*14		
16		178003-52130	1	BRACKET SET,THROTTLE		Sr/Nr 008510 and before/SRM-2655	
16		178003-52130	1	BRACKET SET,THROTTLE		Sr/Nr 35003060 and before/SRM-2655SI	

## 9. Loop Handle



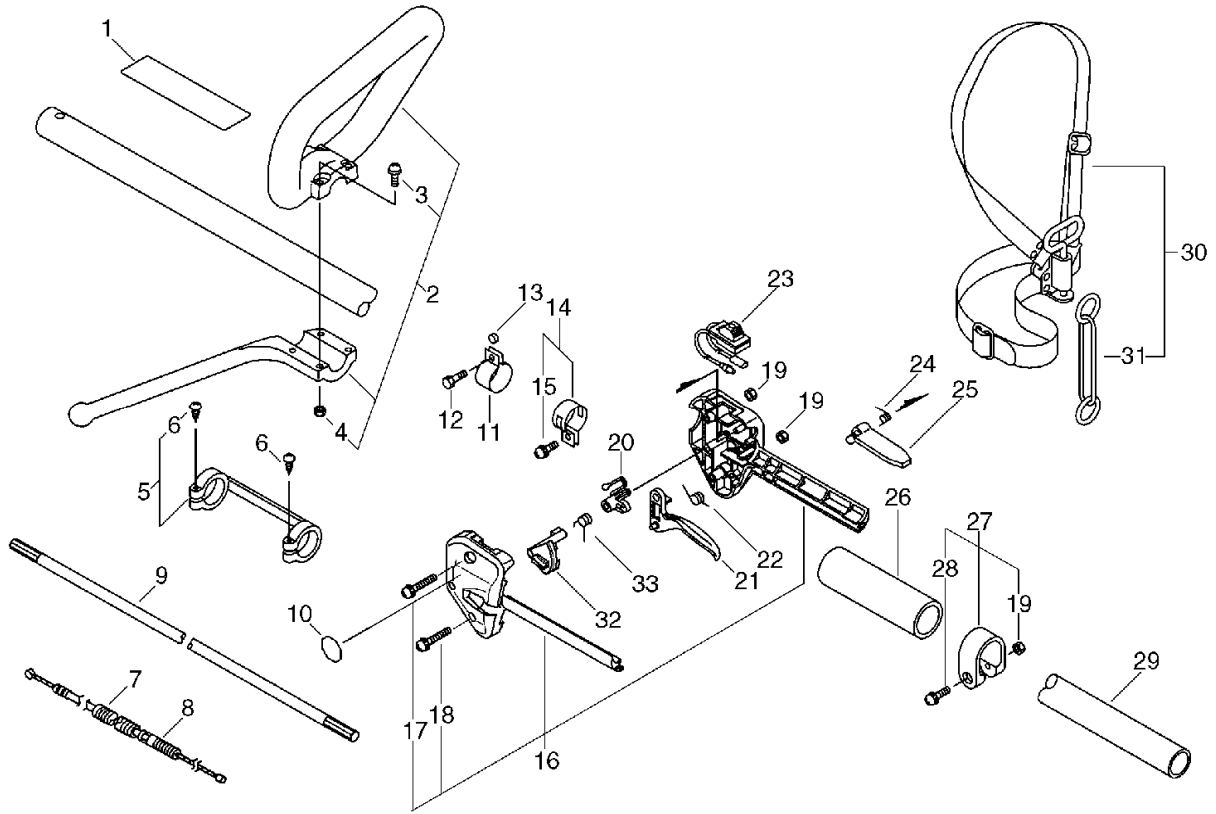
KEY	LV	PART NUMBER	Q'TY	DESCRIPTION	REMARKS	NOTE1	NOTE2
16		P021-005850	1	BRACKET SET,THROTTLE		Sr/Nr 008511 and after/SRM-2655	
16		P021-005850	1	BRACKET SET,THROTTLE		Sr/Nr 35003061 and after/SRM-2655SI	
17	+	900242-05035	1	SCREW 5*35	5*35		
18	+	900242-05025	1	SCREW 5*25	5*25		
19	+	900500-00005	2	NUT 5	5		
20		178012-52630	1	LOCKOUT, THROTTLE			
21		178010-52130	1	CONTROL, THROTTLE		Sr/Nr 008510 and before/SRM-2655	
21		178010-52130	1	CONTROL, THROTTLE		Sr/Nr 35003060 and before/SRM-2655SI	
21		C450-000110	1	TRIGGER,THROTTLE		Sr/Nr 008511 and after/SRM-2655	
21		C450-000110	1	TRIGGER,THROTTLE		Sr/Nr 35003061 and after/SRM-2655SI	
22		178043-42230	1	SPRING, THR. RETURN			
23		163400-49330	1	SWITCH, IGNITION			
24		178013-52630	1	SPRING, THR. LOCK			

## 9. Loop Handle



KEY	LV	PART NUMBER	Q'TY	DESCRIPTION	REMARKS	NOTE1	NOTE2
25		178090-52630	1	LOCKOUT, T. CONTROL		Sus. by 178090-52632	
25		178090-52631	1	LOCKOUT, T. CONTROL		Sus. by 178090-52632	
25		178090-52632	1	LOCKOUT, T. CONTROL			
26		351213-52130	1	GRIP		Sus. by C403-000140	
26		C403-000140	1	GRIP, HANDLE	L129.5*28		
27		610272-52130	1	BAND			
19	+	900500-00005	1	NUT 5	5		
28	+	900242-05028	1	SCREW 5*28	5*28		
29		610206-23030	1	HOUSING ASS'Y, D.SFT			
30		301000-55230	1	HARNESS ASSY		Sus. by 301000-55231	
30		301000-55231	1	HARNESS ASY, SHOULDER			
31	+	301305-24330	1	LINK			
32		C461-000010	1	LATCH, THROTTLE		Sr/Nr 008511 and after/SRM-2655	
32		C461-000010	1	LATCH, THROTTLE		Sr/Nr 35003061 and after/SRM-2655SI	
33		V452-000120	1	SPRING, TORSION		Sr/Nr 008511 and after/SRM-2655	

# 9. Loop Handle



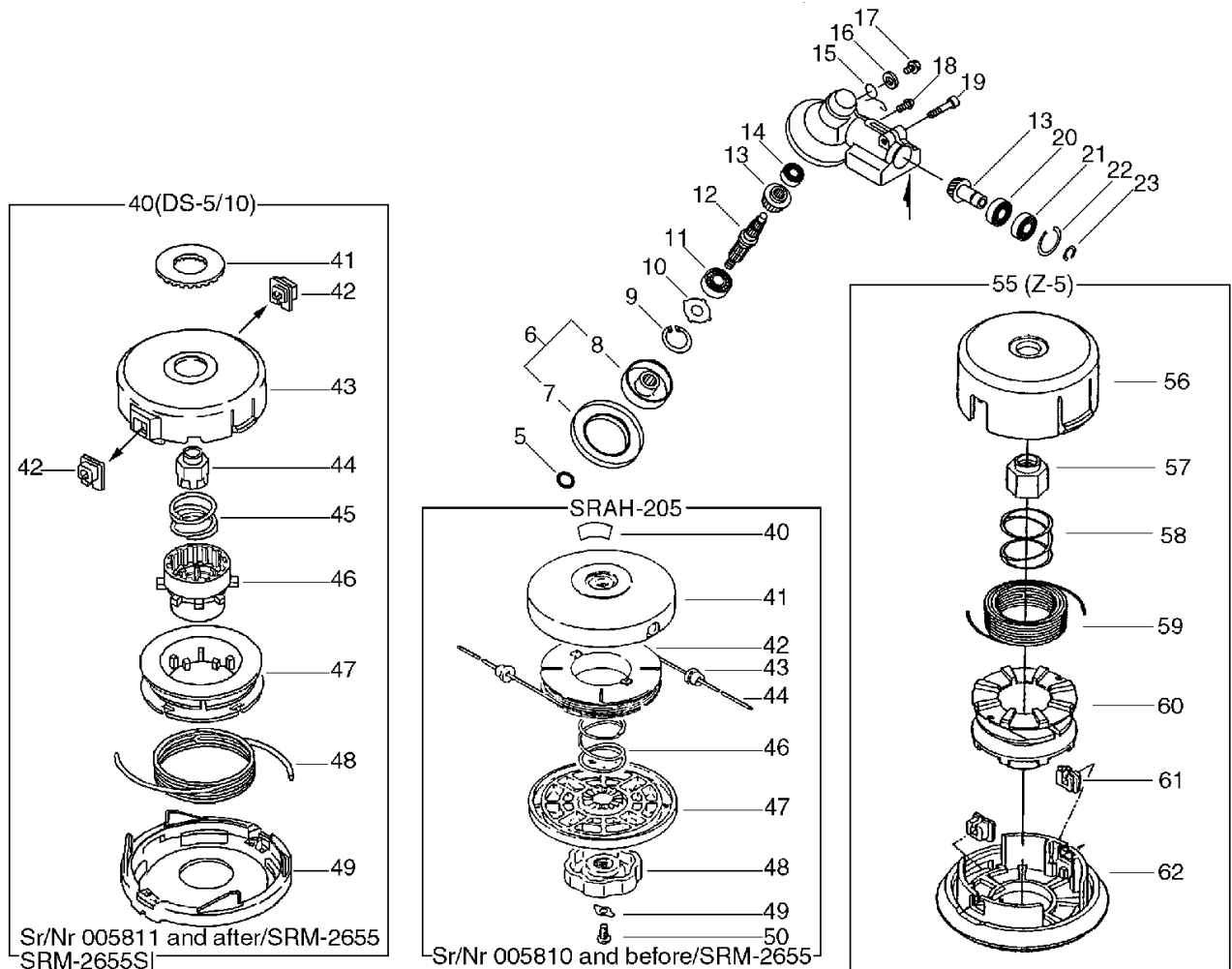
KEY	LV	PART NUMBER	Q'TY	DESCRIPTION	REMARKS	NOTE1	NOTE2
-----	----	-------------	------	-------------	---------	-------	-------

33		V452-000120	1	SPRING,TORSION			
----	--	-------------	---	----------------	--	--	--

Sr/Nr 35003061  
and after/SRM-  
2655SI

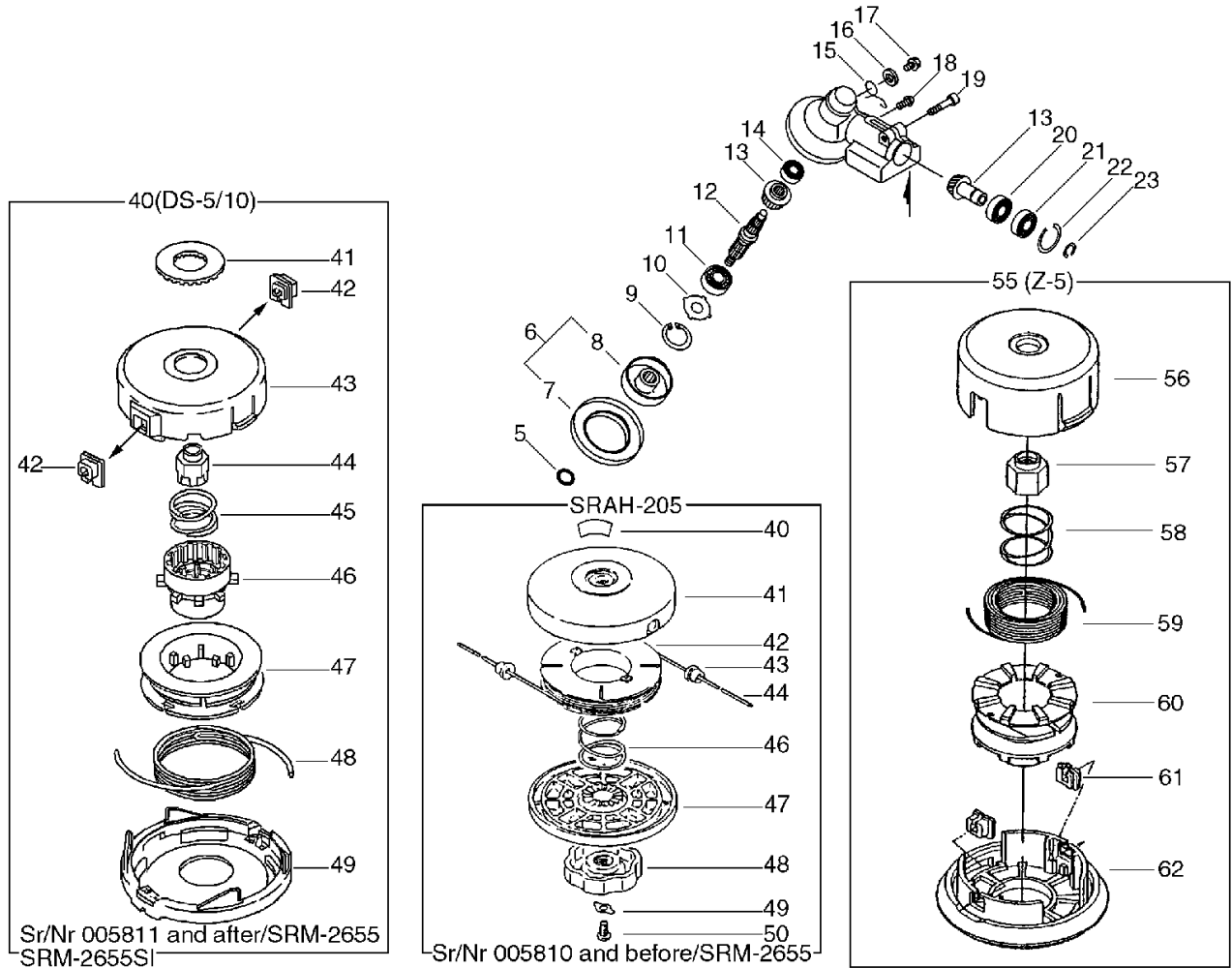


10. Gear Case(Loop Handle Type), Nylon Line Cutting Head



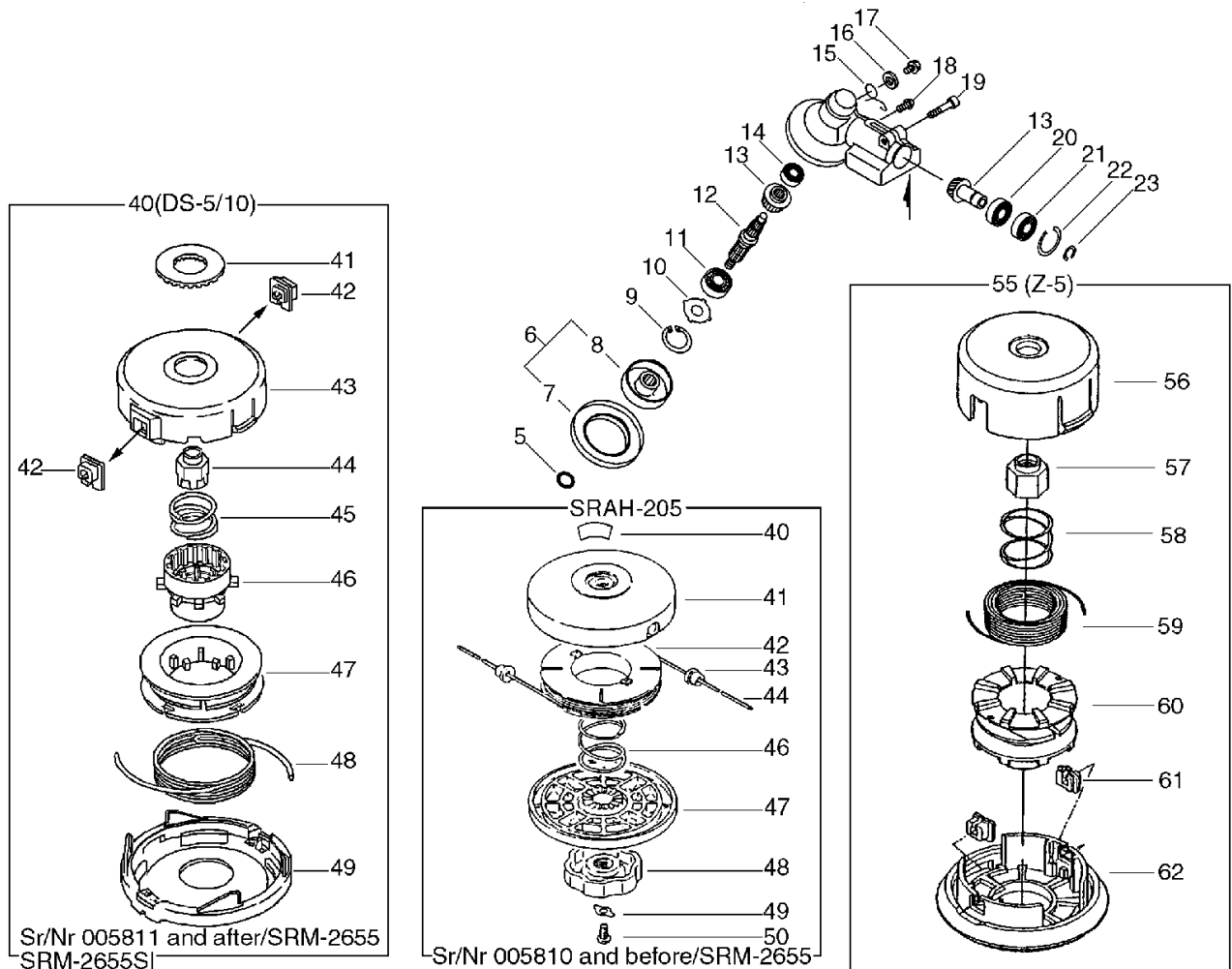
KEY	LV	PART NUMBER	Q'TY	DESCRIPTION	REMARKS	NOTE1	NOTE2
5		900720-00012	1	O-RING 12	P-12		
6		C535-000000	1	FIXTURE, BLADE		Sus. by C535-000001	
6		C535-000001	1	FIXTURE, BLADE			
7	+	610352-56830	1	PLATE, CUP			
8	+	C535-000010	1	FIXTURE, BLADE		Sus. by C535-000011	
8	+	C535-000011	1	FIXTURE, BLADE			
9		900702-00032	1	CIRCLIP 32	CR-32		
10		610444-56830	1	WASHER			
11		900812-06201	1	BEARING, BALL 6201	6201DDU(LLU)		
12		610310-56830	1	SHAFT, P.T.O.			
13		610300-25531	1	GEAR SET	7S		
14		900810-00626	1	BEARING, BALL 626	626		
15		610473-52131	1	SPRING			
16		900603-50008	1	WASHER	8.5*18*0.8T		
17		610434-50030	1	BOLT 8* 6		Sus. by 610434-50031	
17		610434-50031	1	BOLT 8* 8	M8*8		
18		900242-05010	1	SCREW 5*10	5*10		
19		900162-06025	1	BOLT, H.S. 6*25	6*25 W,SW	Sus. by 91118-06025	
20		900855-06900	1	BEARING, BALL 6900	6900		
21		900858-06900	1	BEARING, BALL 6900Z	6900Z		
22		900702-00022	1	CIRCLIP 22	CR-22		
23		900706-00010	1	CIRCLIP 10	WR-10		

10. Gear Case(Loop Handle Type), Nylon Line Cutting Head



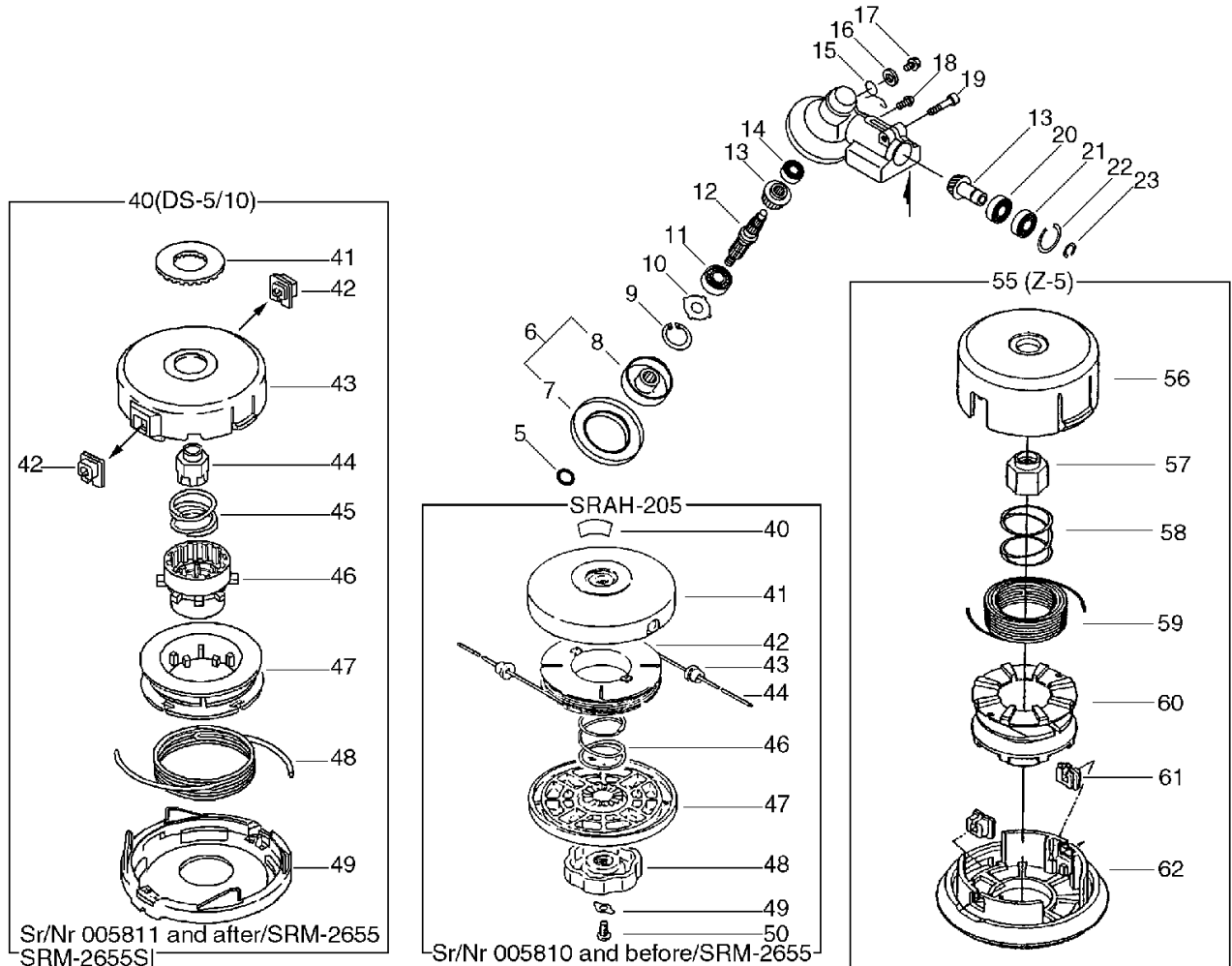
KEY	LV	PART NUMBER	Q'TY	DESCRIPTION	REMARKS	NOTE1	NOTE2
40		890617-46730	1	LABEL, CAUTION		Sr/Nr 005810 and before/SRM-2655	
41		696210-56930	1	DRUM, REEL		Sr/Nr 005810 and before/SRM-2655	
42		696214-06830	1	REEL, CORD		Sr/Nr 005810 and before/SRM-2655	
43		696212-06032	2	EYELET		Sr/Nr 005810 and before/SRM-2655	
44		696215-22830	2	CORD, NYLON(2.4*2.5)		Sr/Nr 005810 and before/SRM-2655	
46		696216-06030	1	SPRING		Sr/Nr 005810 and before/SRM-2655	
47		696206-28232	1	COVER, DRUM (BL)		Sr/Nr 005810 and before/SRM-2655	
48		696219-28231	1	NUT (BL)		Sr/Nr 005810 and before/SRM-2655	

10. Gear Case(Loop Handle Type), Nylon Line Cutting Head



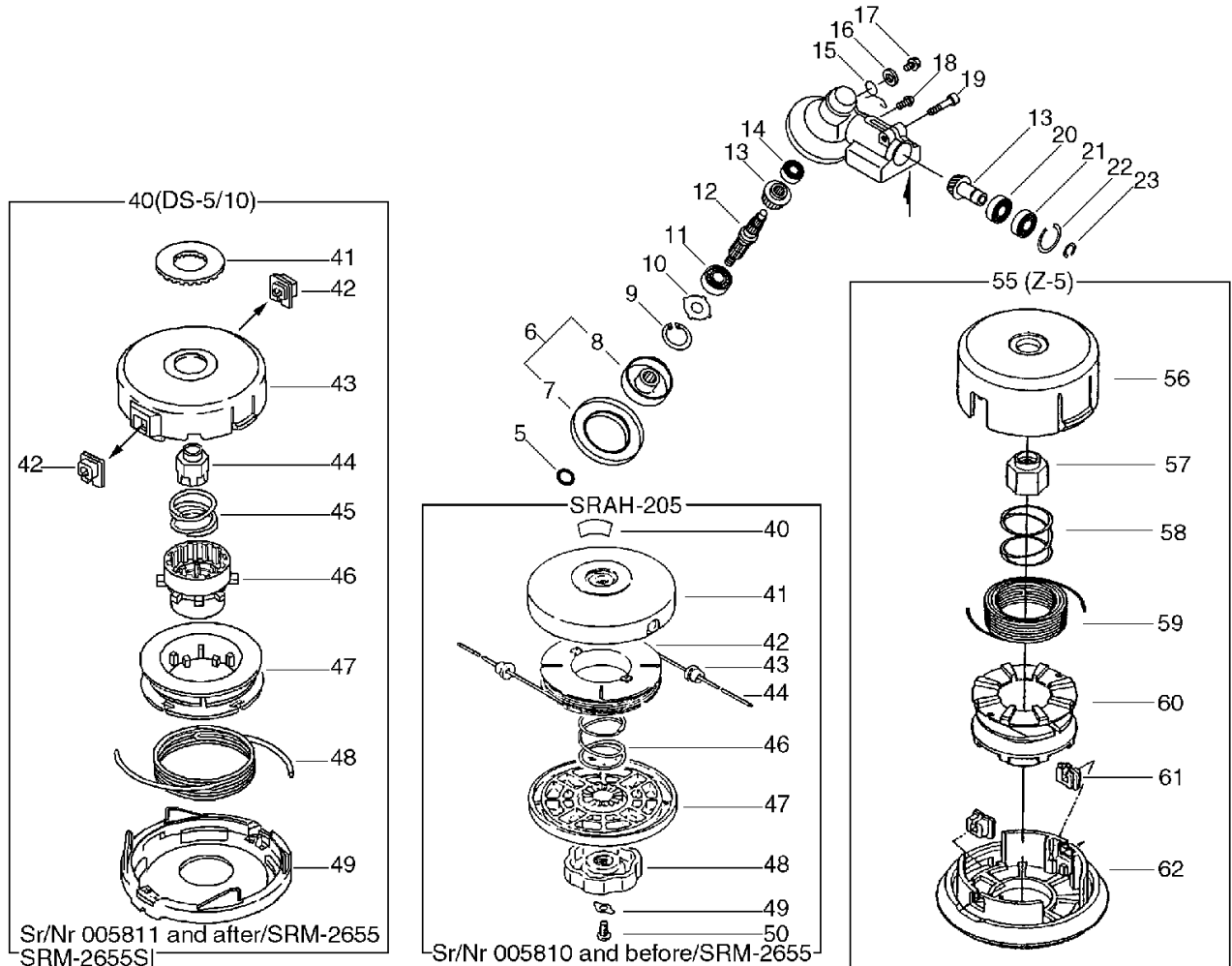
KEY	LV	PART NUMBER	Q'TY	DESCRIPTION	REMARKS	NOTE1	NOTE2
49		696220-06030	1	STOPPER, NUT			Sr/Nr 005810 and before/SRM-2655
50		900220-06010	1	SCREW 6*10	6*10		Sr/Nr 005810 and before/SRM-2655
40		X047-000070	1	CUTTER,ASM LINE	DS-5/10		Sr/Nr 005811 and after/SRM-2655
40		X047-000070	1	CUTTER,ASM LINE	DS-5/10		Sus. by X047-000330
40		X047-000220	1	CUTTER,ASM LINE	DS-5 M10L		Sus. by X047-000330/SRM-2655SI
41	+	V332-000000	1	WASHER,CIRCULAR 24			Sr/Nr 005811 and after/SRM-2655
41	+	V332-000000	1	WASHER,CIRCULAR 24			SRM-2655SI
42	+	P022-000710	2	EYELET	T4		Sr/Nr 005811 and after/SRM-2655
42	+	P022-000710	2	EYELET	T4		SRM-2655SI
43	+	X470-000000	1	DRUM,REEL			Sus. by P022-005040

10. Gear Case(Loop Handle Type), Nylon Line Cutting Head



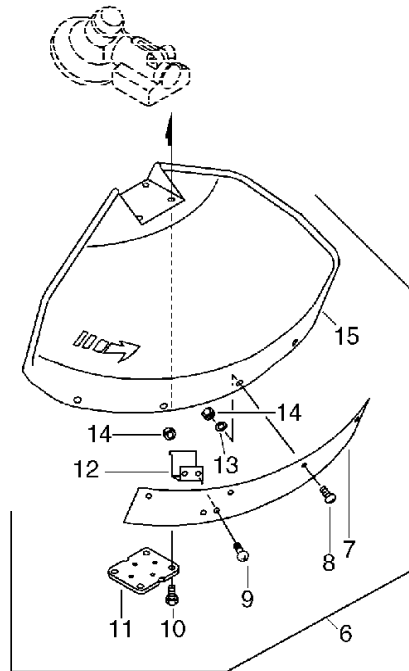
KEY	LV	PART NUMBER	Q'TY	DESCRIPTION	REMARKS	NOTE1	NOTE2
43	+	P022-005040	1	HOUSING		Sr/Nr 005811 and after/SRM-2655	
43	+	P022-005040	1	HOUSING		SRM-2655SI	
44	+	P022-001160	1	NUT		Sr/Nr 005811 and after/SRM-2655	
44	+	P022-001160	1	NUT		SRM-2655SI	
45	+	P022-001200	1	SPRING	DS-5/10	Sr/Nr 005811 and after/SRM-2655	
45	+	P022-001200	1	SPRING	DS-5/10	SRM-2655SI	
46	+	P022-001310	1	TAP KNOB	DS-5/10	Sr/Nr 005811 and after/SRM-2655	
46	+	P022-001310	1	TAP KNOB	DS-5/10	SRM-2655SI	
47	+	P022-001180	1	BOBBIN	DS-5/10	Sr/Nr 005811 and after/SRM-2655	
47	+	P022-001180	1	BOBBIN	DS-5/10	SRM-2655SI	
48	+	P022-000730	1	NYLON CODE	2.4*3M B4-K	Sr/Nr 005811 and after/SRM-2655	
48	+	P022-000730	1	NYLON CODE	2.4*3M B4-K	Sus. by P022-006200	
48	+	P022-006200	1	NYLON CODE	3.0*3M	SRM-2655SI	

10. Gear Case(Loop Handle Type), Nylon Line Cutting Head



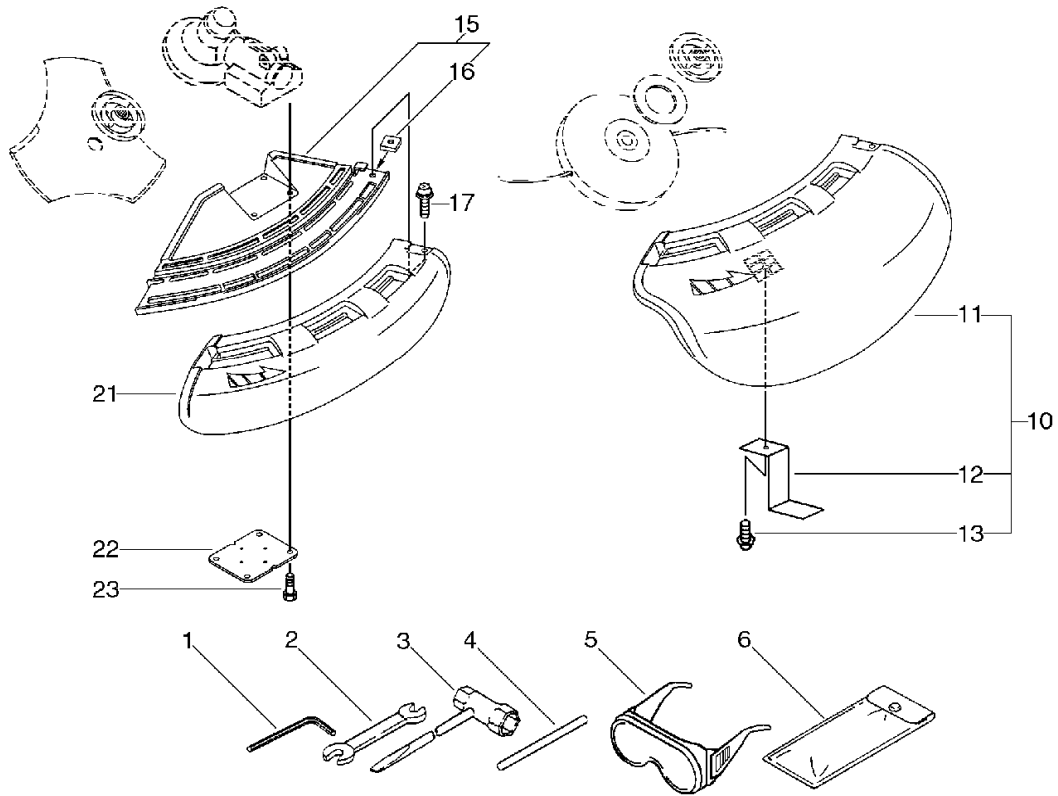
KEY	LV	PART NUMBER	Q'TY	DESCRIPTION	REMARKS	NOTE1	NOTE2
49	+	P022-001190	1	COVER	DS-5/10	Sus. by P022-005030	
49	+	P022-005030	1	COVER		Sr/Nr 005811 and after/SRM-2655	
49	+	P022-005030	1	COVER		SRM-2655SI	
55		X047-000330	1	CUTTER,ASM LINE	Z-5 M10 L	Z-5	
56	+	P022-010420	1	HOUSING			
57	+	P022-010390	1	NUT			
58	+	P022-010370	1	SPRING			
59	+	P022-010380	1	NYLON CODE			
60	+	P022-010400	1	BOBBIN			
61	+	P022-000710	2	EYELET	T4		
62	+	P022-010410	1	COVER			

## 11. Shield(Sr/Nr 007010 and before/SRM-2655)



KEY	LV	PART NUMBER	Q'TY	DESCRIPTION	REMARKS	NOTE1	NOTE2
6		699000-52931	1	SHIELD ASY		Sr/Nr 007010 and before/SRM-2655	
7	+	699013-52130	1	PLATE, SHIELD		Sr/Nr 007010 and before/SRM-2655	
8	+	900162-05018	4	BOLT, H.S. 5*18	5*18 W,SW	Sr/Nr 007010 and before/SRM-2655	
9	+	900162-05014	2	BOLT, H.S. 5*14	5*14 W,SW	Sr/Nr 007010 and before/SRM-2655	
10	+	900162-05025	4	BOLT, H.S. 5*25	5*25 W,SW		
11	+	699013-56830	1	PLATE, SHIELD			
12	+	699016-54530	1	KNIFE		Sr/Nr 007010 and before/SRM-2655	
13	+	900603-00005	4	WASHER 5	5.5*12*0.8	Sr/Nr 007010 and before/SRM-2655	
14	+	900500-00005	6	NUT 5	5	Sr/Nr 007010 and before/SRM-2655	
15	+	699010-52931	1	SHIELD, BLADE		Sr/Nr 007010 and before/SRM-2655	

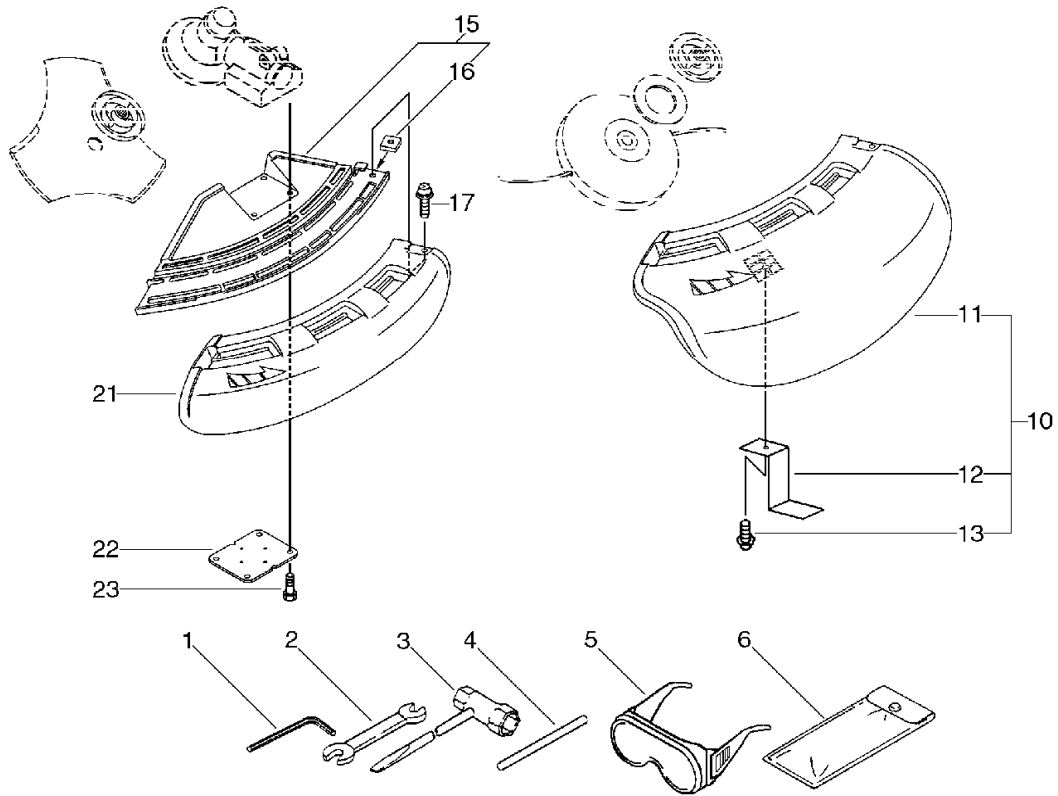
12. Shield(Sr/Nr 007011 and after/SRM-2655, SRM-2655SI), Tools



KEY	LV	PART NUMBER	Q'TY	DESCRIPTION	REMARKS	NOTE1	NOTE2
1		895610-00130	1	L-WRENCH (4MM)			
2		895112-00330	1	SPANNER 8*10			
3		895410-08030	1	WRENCH, W/S. DRIVER		Sus. by X602-000020	
3		X602-000020	1	TOOL,WRENCH	17*19 L200		
4		897518-01131	1	LOCKING TOOL			
5		899580-68730	1	SAFETY GLASSES		Sus. by X690-000030	
5		X690-000030	1	GOGGLE			
10		P021-002620	1	SHIELD,BLADE(W/KNIFE		Sr/Nr 007011 and after/SRM-2655	
10		P021-002620	1	SHIELD,BLADE(W/KNIFE		SRM-2655SI	
11	+	C550-000080	1	SHIELD,BLADE		Sr/Nr 007011 and after/SRM-2655	
11	+	C550-000080	1	SHIELD,BLADE		SRM-2655SI	
12	+	C554-000000	1	KNIFE,CORD		Sr/Nr 007011 and after/SRM-2655	
12	+	C554-000000	1	KNIFE,CORD		SRM-2655SI	
13	+	900252-05012	1	SCREW 5*12	5*12	Sr/Nr 007011 and after/SRM-2655	
13	+	900252-05012	1	SCREW 5*12	5*12	SRM-2655SI	



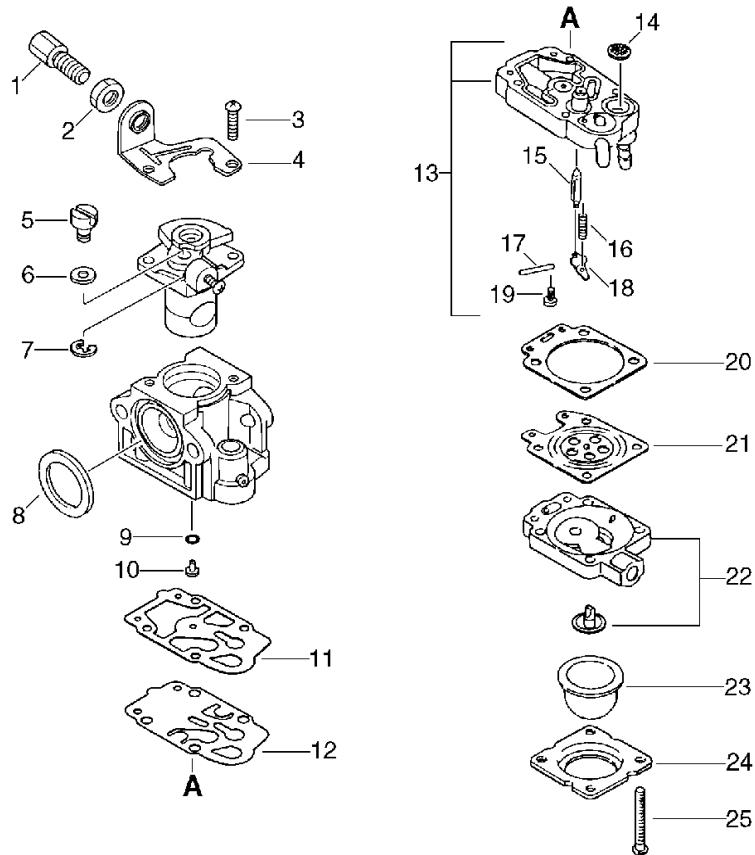
12. Shield(Sr/Nr 007011 and after/SRM-2655, SRM-2655SI), Tools



KEY	LV	PART NUMBER	Q'TY	DESCRIPTION	REMARKS	NOTE1	NOTE2
15		C550-000100	1	SHIELD,BLADE		Sr/Nr 007011 and after/SRM-2655	
15		C550-000100	1	SHIELD,BLADE		SRM-2655SI	
16	+	900565-00005	1	NUT	5	Sr/Nr 007011 and after/SRM-2655	
16	+	900565-00005	1	NUT	5	SRM-2655SI	
17		900242-05018	1	SCREW 5*18	5*18	Sr/Nr 007011 and after/SRM-2655	
17		900242-05018	1	SCREW 5*18	5*18	SRM-2655SI	
21		C550-000090	1	SHIELD,BLADE		Sr/Nr 007011 and after/SRM-2655	
21		C550-000090	1	SHIELD,BLADE		SRM-2655SI	
22		699013-56830	1	PLATE, SHIELD			
23		900162-05025	4	BOLT, H.S. 5*25	5*25 W,SW	Sus. by 91118-05025	

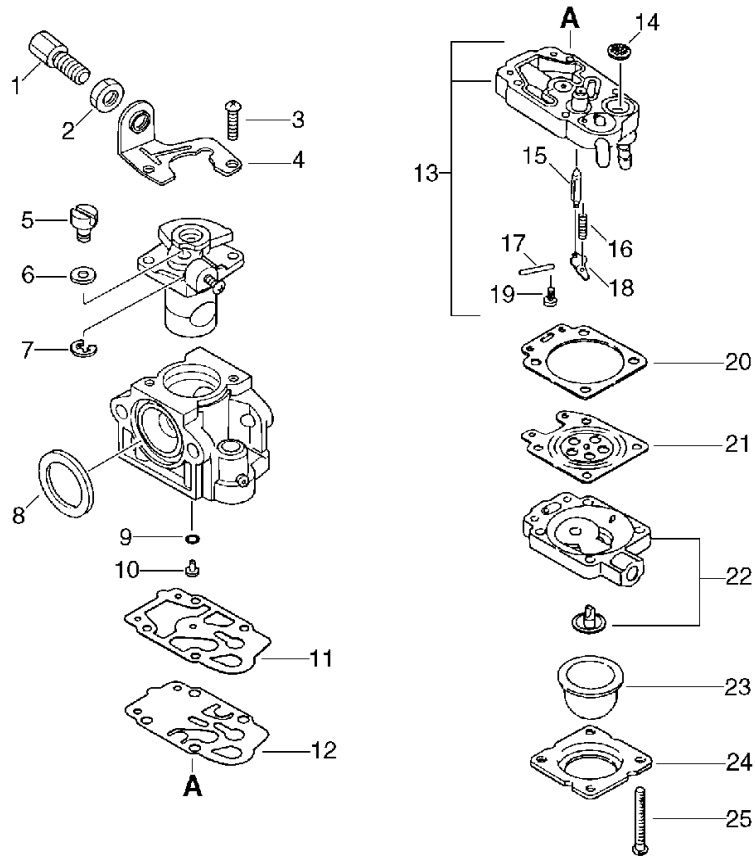


## 13. Carburetor



KEY	LV	PART NUMBER	Q'TY	DESCRIPTION	REMARKS	NOTE1	NOTE2
		123000-57730	1	CARBURETOR ASSY	WYJ-192	Sus. by 123000-57731	
		123000-57731	1	CARBURETOR	WYJ-192A		
1	+	123161-56431	1	SCREW, ADJUSTER			
2	+	123153-56430	1	NUT, ADJUSTER			
3	+	123114-40630	2	SCREW			
4	+	123128-54230	1	BRACKET, IDLE ADJUST			
5	+	123172-45130	1	SWIVEL			
6	+	123149-54230	1	WASHER			
7	+	123173-07930	1	CLIP			
8	+	123143-12110	1	RING, PACKING			
9	+	123183-40630	1	O-RING			
10	+	P003-000520	1	JET			
11	+	123125-40630	1	GASKET, PUMP			
12	+	123112-40630	1	DIAPHRAGM, PUMP			
13	+	123179-05560	1	BODY ASSY, PUMP			
14	++	123126-10631	1	SCREEN, INLET			
15	++	123137-19830	1	VALVE, INLET NEEDLE			
16	++	123122-05560	1	SPRING, METER. LEVER			
17	++	123138-03930	1	PIN, METERING LEVER			
18	++	123123-03930	1	LEVER, METERING			
19	++	123139-05560	1	SCREW, M. LEVER PIN			
20	+	123140-05560	1	GASKET, M. DIAPHRAGM			
21	+	123141-03930	1	DIAPHRAGM, METERING		Can be used on 123000-57730	

## 13. Carburetor



KEY	LV	PART NUMBER	Q'TY	DESCRIPTION	REMARKS	NOTE1	NOTE2
21	+	P003-000090	1	METERING, DIAPHRAGM		Can be used on 123000-57731	
22	+	123180-05560	1	BODY, AIR PURGE			
23	+	123181-40630	1	PUMP, PRIMER			
24	+	123142-05560	1	COVER, PRIMER PUMP			
25	+	123110-05560	4	SCREW, PUMP COVER			

**Index**

<b>Patrs Number</b>	<b>Key No.</b>	<b>Patrs Number</b>	<b>Key No.</b>	<b>Patrs Number</b>	<b>Key No.</b>
100000-56031	1 - 8	123181-40630	13 - 23	175009-55931	2 - 7
100011-09560	1 - 9	123183-40630	13 - 9	175018-05533	2 - 6
100012-55930	1 - 12	129011-57730	5 - 6	175046-56030	2 - 9
100013-56030	1 - 10	129011-57731	5 - 6	175048-05530	2 - 5
100014-55930	1 - 13	130010-13410	5 - 9	175049-56030	2 - 8
100015-04630	1 - 11	130010-55930	5 - 12	177200-55931	3 - 3
100100-56030	1 - 14	130017-56430	5 - 10	177202-40630	3 - 11
100100-56032	1 - 14	130017-56431	5 - 10	177215-40630	3 - 6
100142-12330	1 - 15	130307-57730	5 - 7	177218-40630	3 - 12
100204-56030	1 - 16	130310-51830	5 - 4	177218-40630	4 - 41
100204-56230	1 - 16	130313-57731	5 - 1	177220-40630	3 - 5
100204-56231	1 - 16	130313-57732	5 - 1	177226-03930	3 - 8
100204-56232	1 - 16	130406-52130	5 - 2	177227-42030	3 - 9
100212-28230	1 - 21	130406-52131	5 - 2	177228-27030	3 - 10
100213-05530	1 - 17	131004-55530	6 - 9	177228-27030	4 - 21
100215-03930	2 - 14	131005-56531	6 - 8	177234-40630	3 - 13
100242-55930	1 - 20	131005-56532	6 - 8	177234-40630	4 - 42
101010-56030	1 - 7	131016-55830	6 - 10	177236-44330	3 - 7
101034-56532	1 - 5	131051-56030	6 - 11	177246-11120	4 - 20
101503-56031	2 - 10	131205-19830	6 - 7	178001-56530	9 - 8
101506-56031	1 - 4	131300-56430	6 - 1	178001-59230	7 - 11
101531-55930	1 - 2	132010-52030	6 - 4	178003-52130	9 - 16
101538-28230	1 - 23	132013-26630	6 - 2	178003-52130	9 - 16
123000-57730	13 -	132115-55930	6 - 6	178010-05960	7 - 7
123000-57730	5 - 8	145510-55931	5 - 14	178010-52130	9 - 21
123000-57731	13 -	145510-55932	5 - 14	178010-52130	9 - 21
123000-57731	5 - 8	145621-57730	5 - 22	178012-05960	7 - 5
123110-05560	13 - 25	145621-57731	5 - 22	178012-52630	9 - 20
123112-40630	13 - 12	145802-65830	5 - 13	178013-35631	7 - 6
123114-40630	13 - 3	145802-65831	5 - 13	178013-52630	9 - 24
123122-05560	13 - 16	145818-52130	5 - 17	178043-42230	9 - 22
123123-03930	13 - 18	145866-42031	5 - 15	178090-52630	9 - 25
123125-40630	13 - 11	145876-42030	5 - 16	178090-52631	9 - 25
123126-10631	13 - 14	152626-56032	2 - 25	178090-52632	9 - 25
123128-54230	13 - 4	152801-55930	2 - 1	178111-06230	2 - 30
123137-19830	13 - 15	156112-40630	2 - 26	224924-52130	7 - 14
123138-03930	13 - 17	159010-10230	2 - 29	301000-55230	9 - 30
123139-05560	13 - 19	159011-03432	2 - 28	301000-55231	9 - 30
123140-05560	13 - 20	159012-03433	2 - 27	301001-56831	7 - 30
123141-03930	13 - 21	159112-09960	7 - 13	301015-05330	7 - 16
123142-05560	13 - 24	159112-09961	7 - 13	301200-21330	7 - 15
123143-12110	13 - 8	159905-55930	1 - 3	301200-29430	9 - 14
123149-54230	13 - 6	162010-56430	2 - 23	301205-21330	7 - 17
123153-56430	13 - 2	162014-52930	2 - 21	301207-08930	9 - 11
123161-56431	13 - 1	162110-56530	9 - 7	301305-24330	9 - 31
123172-45130	13 - 5	163400-49330	9 - 23	305110-57731	6 - 14
123173-07930	13 - 7	163401-43130	7 - 9	305110-57732	6 - 14
123179-05560	13 - 13	175005-55930	2 - 11	305110-57733	6 - 14
123180-05560	13 - 22	175009-55930	2 - 7	351102-47530	7 - 1

**Index**

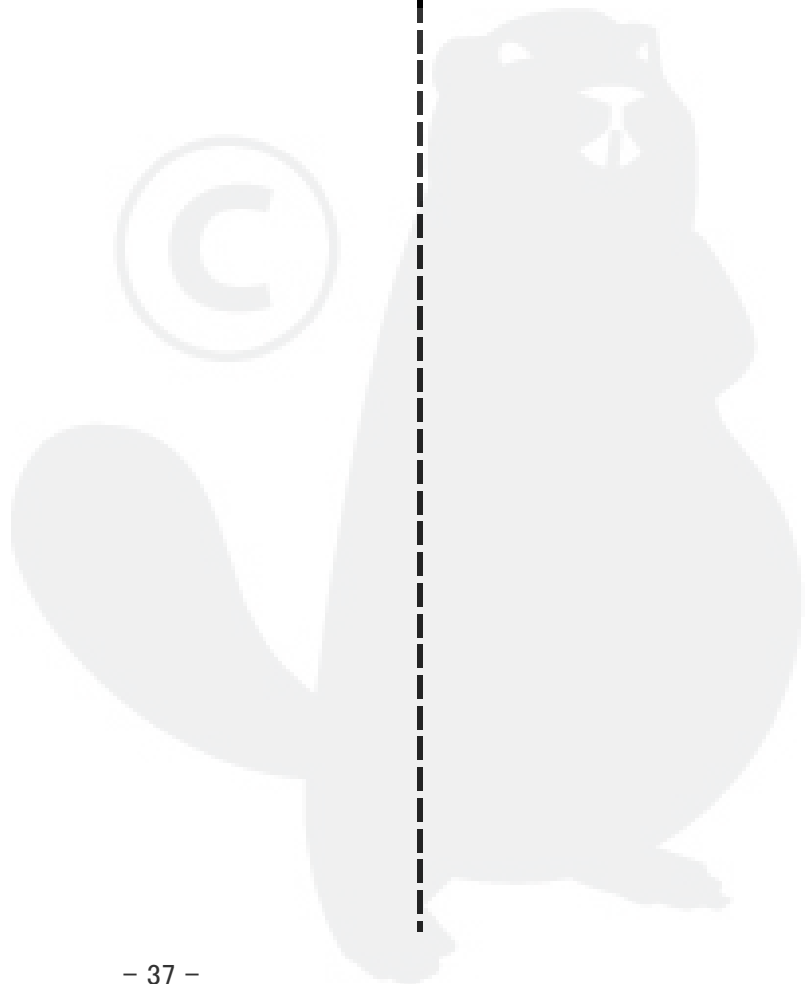
<b>Patrs Number</b>	<b>Key No.</b>	<b>Patrs Number</b>	<b>Key No.</b>	<b>Patrs Number</b>	<b>Key No.</b>
351201-54130	9 - 2	699012-03330	9 - 13	900162-06025	8 - 19
351213-52130	9 - 26	699013-52130	11 - 7	900220-05030	7 - 3
351214-52130	7 - 25	699013-56830	11 - 11	900220-06010	10 - 50
351301-52130	7 - 19	699013-56830	12 - 22	900238-04010	5 - 18
351311-02330	7 - 26	699016-54530	11 - 12	900239-05016	6 - 12
351421-52130	7 - 24	699200-56830	8 - 35	900239-05022	1 - 1
437215-20760	6 - 5	699226-05430	8 - 37	900242-05010	10 - 18
437217-20760	6 - 3	699227-04630	8 - 39	900242-05010	2 - 22
605014-54230	7 - 23	699228-08930	8 - 40	900242-05010	8 - 18
610011-25530	7 - 29	699229-56830	8 - 3	900242-05014	9 - 15
610011-25530	9 - 9	890118-49130	3 - 1	900242-05018	12 - 17
610206-23030	7 - 28	890121-65830	5 - 3	900242-05018	12 - 17
610206-23030	9 - 29	890157-39130	7 - 31	900242-05025	9 - 18
610272-52130	9 - 27	890157-39130	9 - 10	900242-05028	9 - 28
610281-54130	9 - 5	890332-52730	5 - 3	900242-05035	9 - 3
610300-25531	10 - 13	890611-65830	2 - 17	900242-05035	9 - 17
610300-25531	8 - 13	890617-43130	7 - 27	900242-05055	5 - 5
610310-56830	10 - 12	890617-43130	9 - 1	900244-05020	6 - 13
610310-56830	8 - 12	890617-46730	10 - 40	900246-03025	7 - 2
610313-56830	8 - 36	890617-63630	9 - 1	900246-04016	7 - 2
610314-52130	8 - 4	895112-00330	12 - 2	900252-05012	12 - 13
610320-52130	8 - 2	895410-08030	12 - 3	900252-05012	12 - 13
610352-56830	10 - 7	895610-00130	12 - 1	900253-04016	7 - 2
610352-56830	8 - 7	897518-01131	12 - 4	900253-04016	7 - 2
610400-52131	8 - 1	898523-47130	8 - 26	900253-04025	9 - 6
610400-52132	8 - 1	899580-68730	12 - 5	900253-05020	4 - 15
610434-50030	10 - 17	900100-05018	9 - 12	900500-00005	11 - 14
610434-50030	8 - 17	900105-05012	7 - 18	900500-00005	7 - 4
610434-50031	10 - 17	900105-05055	5 - 20	900500-00005	9 - 4
610434-50031	8 - 17	900106-05020	1 - 1	900500-00005	9 - 19
610444-56830	10 - 10	900141-05012	8 - 41	900500-00005	9 - 19
610444-56830	8 - 10	900162-04014	3 - 2	900502-00008	2 - 4
610473-52131	10 - 15	900162-04014	4 - 33	900502-00008	3 - 15
610473-52131	8 - 15	900162-05012	5 - 21	900565-00005	12 - 16
610922-55931	2 - 18	900162-05014	11 - 9	900565-00005	12 - 16
695001-44730	8 - 25	900162-05018	11 - 8	900565-00005	3 - 4
695001-44731	8 - 25	900162-05018	2 - 16	900565-00005	4 - 36
696001-44730	8 - 24	900162-05020	2 - 24	900565-00005	4 - 36
696001-44731	8 - 24	900162-05020	7 - 22	900565-50008	7 - 20
696206-28232	10 - 47	900162-05022	1 - 6	900600-00005	5 - 19
696210-56930	10 - 41	900162-05022	2 - 24	900600-00008	2 - 2
696212-06032	10 - 43	900162-05022	6 - 15	900603-00005	11 - 13
696214-06830	10 - 42	900162-05025	1 - 22	900603-50008	10 - 16
696215-22830	10 - 44	900162-05025	11 - 10	900603-50008	8 - 16
696216-06030	10 - 46	900162-05025	12 - 23	900605-00008	2 - 3
696219-28231	10 - 48	900162-05025	5 - 11	900700-00004	3 - 14
696220-06030	10 - 49	900162-05028	2 - 19	900701-00010	2 - 15
699000-52931	11 - 6	900162-05030	7 - 21	900702-00022	10 - 22
699010-52931	11 - 15	900162-06025	10 - 19	900702-00022	8 - 22

**Index**

<b>Patrs Number</b>	<b>Key No.</b>	<b>Patrs Number</b>	<b>Key No.</b>	<b>Patrs Number</b>	<b>Key No.</b>
900702-00026	2 - 12	C53500-00010	8 - 8	P022-004680	4 - 24
900702-00028	1 - 19	C53500-00011	8 - 8	P022-004690	4 - 26
900702-00032	10 - 9	C535-000010	10 - 8	P022-004700	4 - 29
900702-00032	8 - 9	C535-000011	10 - 8	P022-004710	4 - 30
900702-00042	2 - 20	C550-000080	12 - 11	P022-005030	10 - 49
900706-00010	10 - 23	C550-000080	12 - 11	P022-005030	10 - 49
900706-00010	8 - 23	C550-000090	12 - 21	P022-005040	10 - 43
900720-00012	10 - 5	C550-000090	12 - 21	P022-005040	10 - 43
900720-00012	8 - 5	C550-000100	12 - 15	P022-006200	10 - 48
900800-36001	1 - 18	C550-000100	12 - 15	P022-010370	10 - 58
900807-06000	2 - 13	C554-000000	12 - 12	P022-010380	10 - 59
900810-00626	10 - 14	C554-000000	12 - 12	P022-010390	10 - 57
900810-00626	8 - 14	P003-000090	13 - 21	P022-010400	10 - 60
900812-06201	10 - 11	P003-000520	13 - 10	P022-010410	10 - 62
900812-06201	8 - 11	P021-000370	1 - 8	P022-010420	10 - 56
900814-06202	8 - 38	P021-000371	1 - 8	V299-000110	7 - 24
900855-06900	10 - 20	P021-002610	7 - 1	V299-000110	7 - 24
900855-06900	8 - 20	P021-002610	7 - 1	V332-000000	10 - 41
900858-06900	10 - 21	P021-002611	7 - 1	V332-000000	10 - 41
900858-06900	8 - 21	P021-002612	7 - 1	V353-000020	1 - 2
A051-000320	4 - 19	P021-002620	12 - 10	V376-000320	4 - 35
A051-000321	4 - 19	P021-002620	12 - 10	V376-000780	4 - 35
A052-000100	4 - 40	P021-002750	7 - 19	V430-000360	7 - 11
A101-000010	1 - 9	P021-002750	7 - 19	V430-000361	7 - 11
A160-000220	1 - 4	P021-002751	7 - 19	V430-000361	7 - 11
C062-000180	7 - 30	P021-005850	9 - 16	V430-000362	7 - 11
C400-000000	7 - 25	P021-005850	9 - 16	V452-000050	7 - 6
C403-000030	7 - 26	P021-007470	8 - 26	V452-000050	7 - 6
C403-000030	7 - 26	P022-000710	10 - 42	V452-000060	7 - 8
C403-000140	9 - 26	P022-000710	10 - 42	V452-000060	7 - 8
C423-000040	7 - 33	P022-000710	10 - 61	V452-000120	9 - 33
C423-000041	7 - 33	P022-000730	10 - 48	V452-000120	9 - 33
C450-000020	7 - 7	P022-000730	10 - 48	V452-000130	7 - 6
C450-000020	7 - 7	P022-001160	10 - 44	V452-000130	7 - 6
C450-000021	7 - 7	P022-001160	10 - 44	V475-000000	7 - 12
C450-000022	7 - 7	P022-001180	10 - 47	V553-000020	1 - 12
C450-000110	9 - 21	P022-001180	10 - 47	V606-000000	1 - 10
C450-000110	9 - 21	P022-001190	10 - 49	X047-000070	10 - 40
C460-000010	7 - 5	P022-001200	10 - 45	X047-000070	10 - 40
C460-000010	7 - 5	P022-001200	10 - 45	X047-000220	10 - 40
C460-000011	7 - 5	P022-001310	10 - 46	X047-000330	10 - 55
C461-000010	9 - 32	P022-001310	10 - 46	X405-000010	8 - 27
C461-000010	9 - 32	P022-002100	4 - 43	X405-000011	8 - 27
C463-000000	7 - 10	P022-004600	4 - 25	X470-000000	10 - 43
C463-000000	7 - 10	P022-004610	4 - 22	X502-000031	4 - 18
C535-000000	10 - 6	P022-004620	4 - 23	X502-000032	4 - 18
C535-000000	8 - 6	P022-004630	4 - 31	X502-000160	4 - 18
C535-000001	10 - 6	P022-004660	4 - 27	X503-003440	2 - 17
C535-000001	8 - 6	P022-004670	4 - 28	X505-000140	9 - 1

# Index

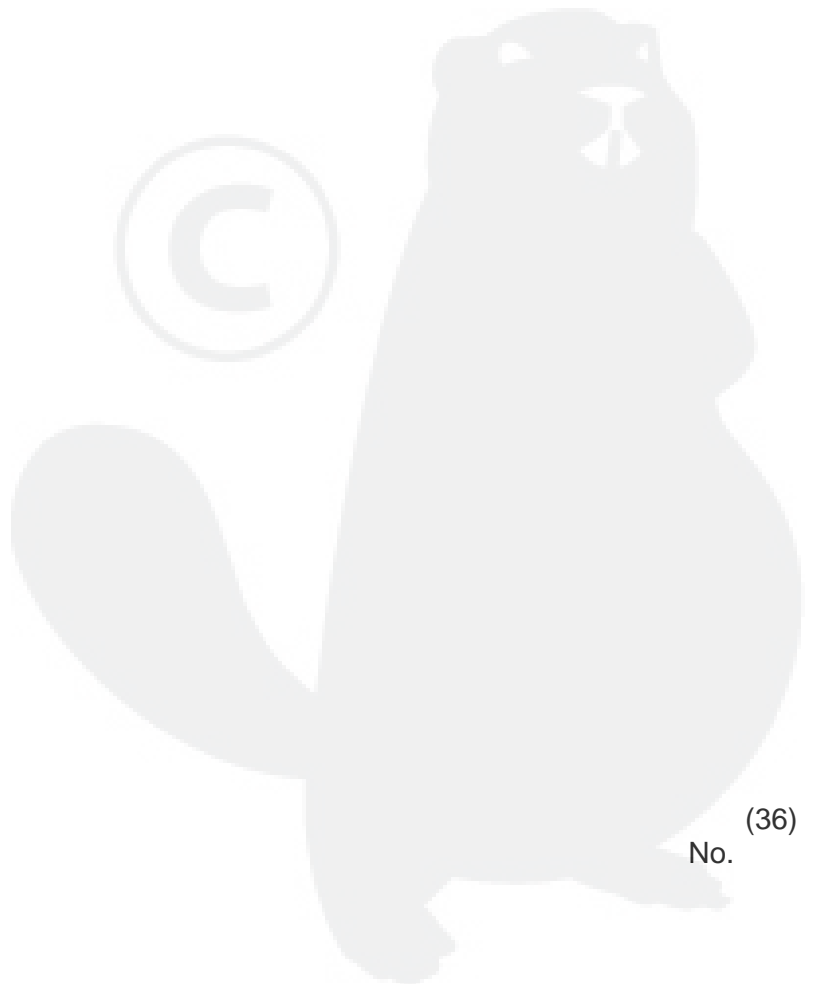
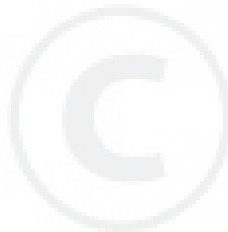
Patrs Number	Key No.	Patrs Number	Key No.	Patrs Number	Key No.
X505-000620	4 - 16				
X547-000120	2 - 17				
X602-000020	12 - 3				
X690-000030	12 - 5				



# YAMABIKO CORPORATION

7-2 SUEHIROCHO 1-CHOME, OHME, TOKYO 198-8760, JAPAN  
PHONE: 81-428-32-6118. FAX: 81-428-32-6145.

**ECHO**<sup>®</sup>



(36)  
No.