



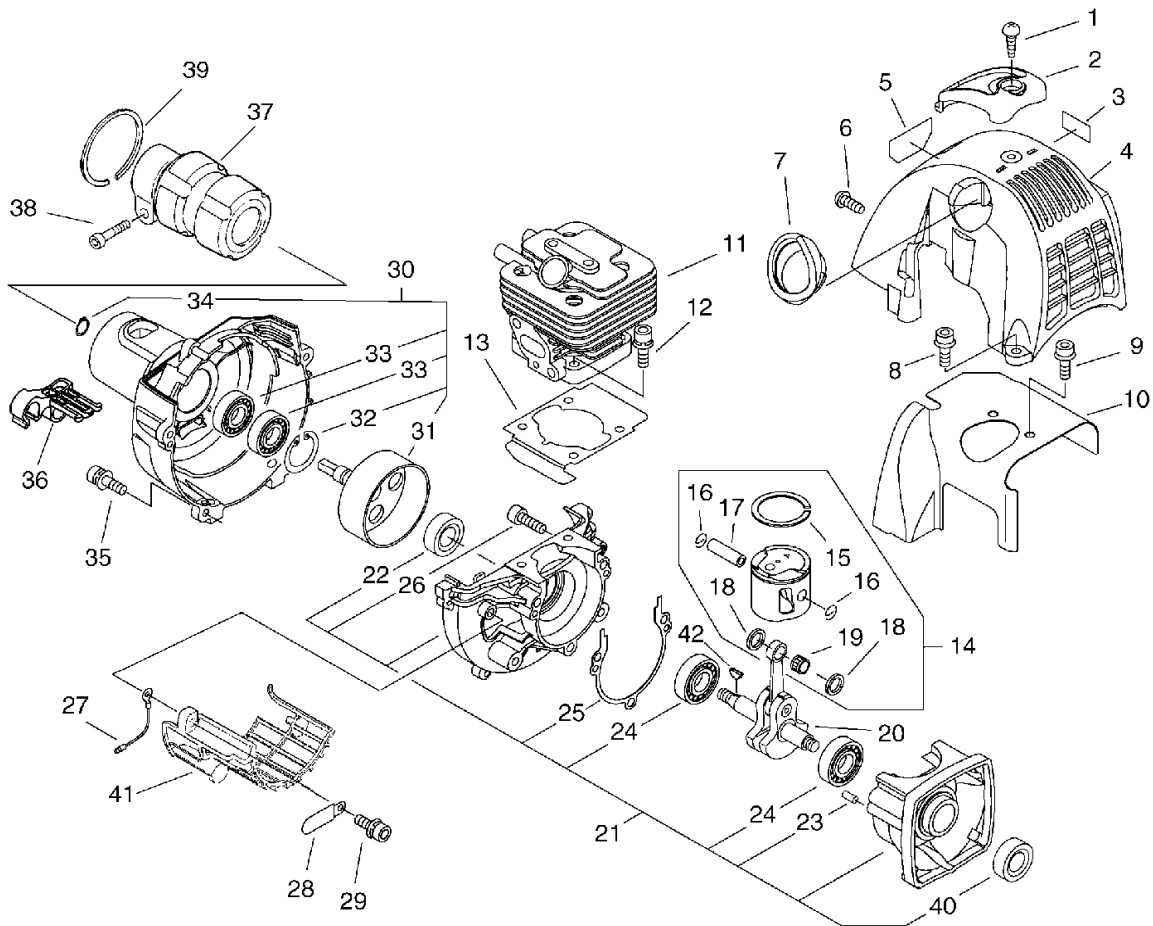
PARTS CATALOG

GRASS-TRIMMER / BRUSHCUTTER

SRM-265(37)

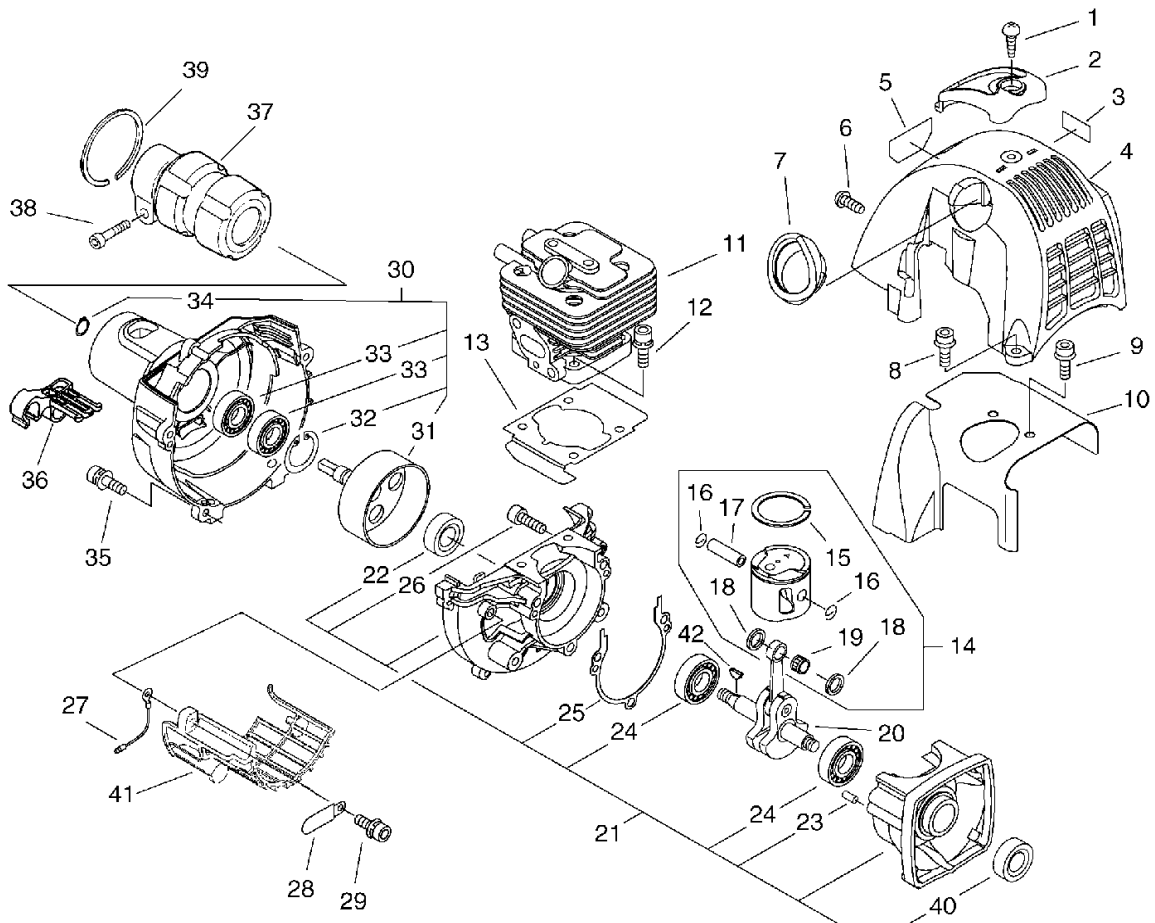
SRM-265(37)

1. Cylinder, Crankcase, Piston, Fan Cover



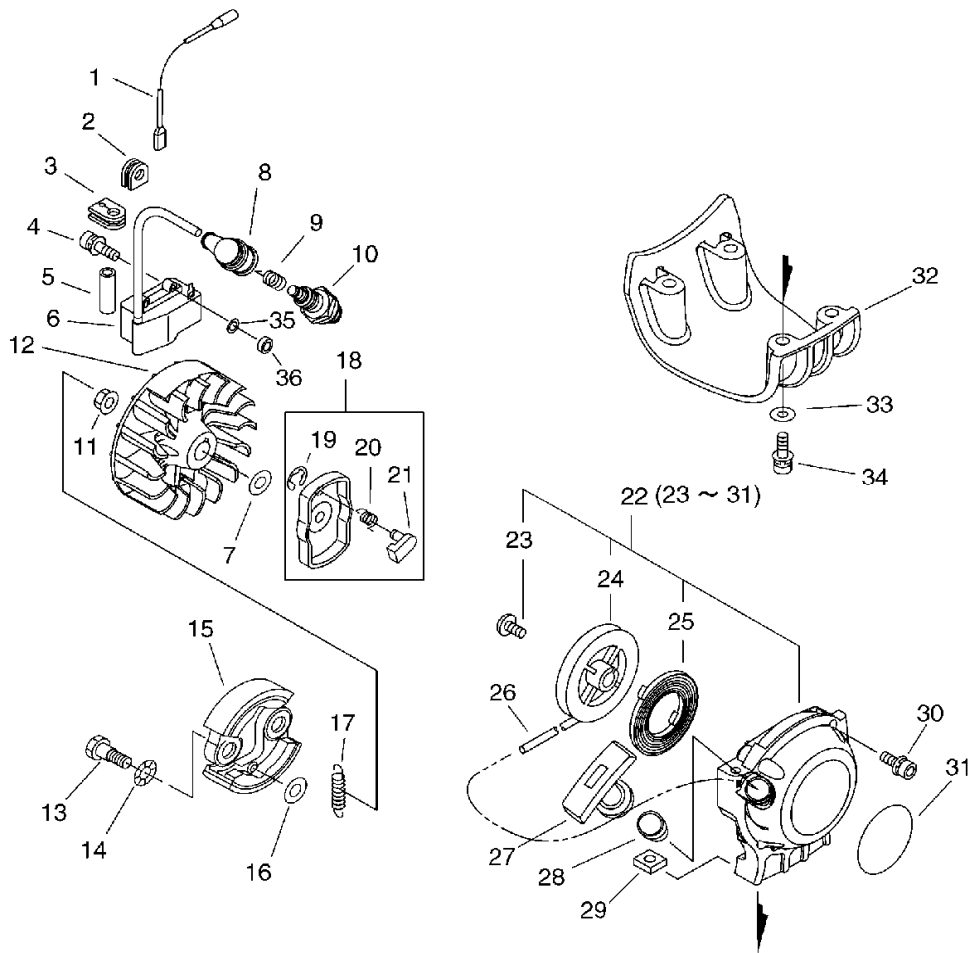
KEY	LV	PART NUMBER	Q'TY	DESCRIPTION	REMARKS	NOTE1	NOTE2
1		900256-05016	1	SCREW, TAPPING	5*16		
2		A162-000100	1	GUARD, TOP			
3		X505-002310	1	LABEL, CAUTION	HOT CAUTION		
4		A160-000780	1	COVER, CYLINDER			
5		X547-000350	1	LABEL, ECHO	ECHO+SRM-265		
6		91141-05012	1	BOLT	M5*12		
7		A162-000080	1	GUARD, TOP			
8		91121-05016	1	BOLT, FLANGE	10.9 SILVER		
9		900106-05008	2	BOLT, H.S. 5* 8	5*8		
10		A160-000691	1	COVER, CYLINDER			
11		A130-000761	1	CYLINDER			
12		900162-05025	4	BOLT, H.S. 5*25	5*25 W,SW		
13		V100-000210	1	GASKET, CYL	T0.5 38.1		
14		P021-009771	1	PISTON KIT			
15	+	A101-000170	1	RING, PISTON	34*1.5*1.5		
16	+	100015-03931	2	CIRCLIP, PISTON PIN			
17	+	100013-35430	1	PIN, PISTON	6*9*27.8		
18	+	100014-53630	2	SPACER, PISTON PIN			
19	+	100012-16131	1	BEARING, NEEDLE			
20		A011-000434	1	CRANKSHAFT, ASY			
21		P021-010801	1	CRANKCASE KIT			
22	+	100212-42031	1	OILSEAL	ISCD 12*22*4.5		
40	+	V505-000050	1	SEAL, OIL 12			
23	+	100215-03930	2	PIN, DOWEL			
24	+	94035-36201	2	BEARING BALL	6201X3JR2C3		

1. Cylinder, Crankcase, Piston, Fan Cover



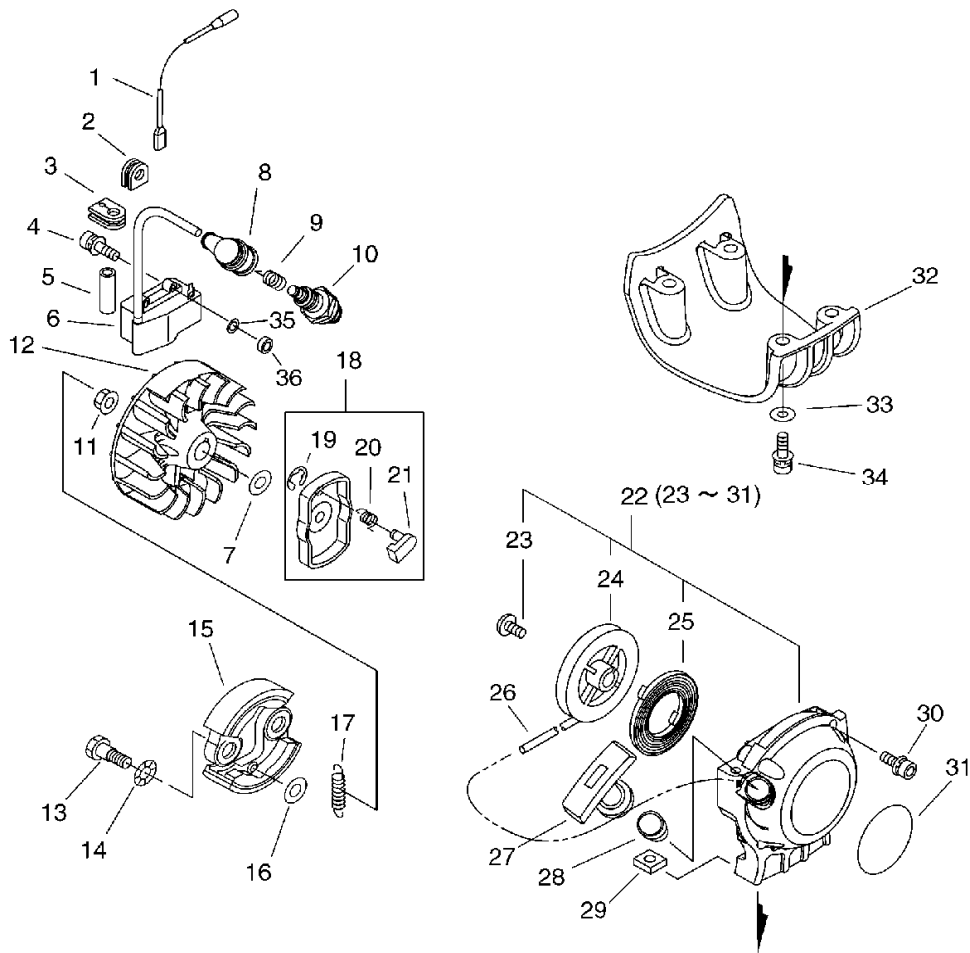
KEY	LV	PART NUMBER	Q'TY	DESCRIPTION	REMARKS	NOTE1	NOTE2
25	+	100242-42030	1	GASKET, CRANKCASE			
26	+	900162-05028	3	BOLT, H.S. 5*28	5*28 W,SW		
27		156635-43130	1	LEAD, GROUND			
28		159116-21231	1	CLAMP			
29		91118-05016	1	BOLT	CM-5*16		
30		P021-013530	1	COVER, FAN ASSY			
31	+	A556-000040	1	DRUM, CLUTCH			
32	+	900702-00028	1	CIRCLIP 28	CR-28		
33	+	900807-06001	2	BEARING, BALL 6001	6001V(LB)		
34	+	900701-00012	1	CIRCLIP 12	CS-12		
35		V202-000090	4	BOLT, 4	4*16		
36		V491-000180	1	CLIP			
37		610922-55931	1	HOLDER, MAIN PIPE			
38		91118-05028	1	BOLT	CM-5*28		
39		900702-00042	1	CIRCLIP 42	CR-42		
41		A127-000160	1	COVER, DUST			
42		100142-12330	1	KEY, WOODRUFF			

2. Starter, Magneto, Clutch



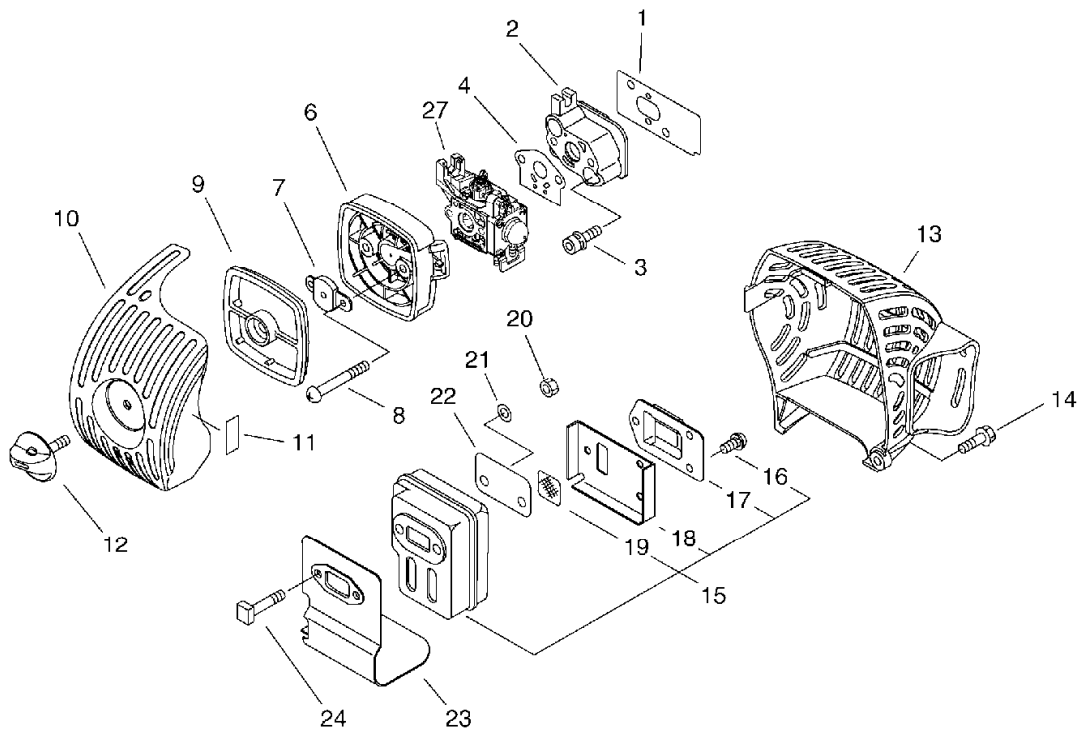
KEY	LV	PART NUMBER	Q'TY	DESCRIPTION	REMARKS	NOTE1	NOTE2
1		162010-04561	1	LEAD, GROUND	210L		
2		156110-04920	1	BUSHING			
3		V135-000030	1	GROMMET, HT CORD			
4		V202-000130	2	BOLT, 4	CBF-4*20		
5		V475-003380	1	TUBE			
6		A411-000250	1	COIL, IGNITION	ID#C10048		
7		305118-03360	1	WASHER	8.2*17*2	Sus. by V306-000210	
8		A427-000012	1	CAP, SPARK PLUG		Sus. by A427-000013	
9		A426-000010	1	TERMINAL, SPARKPLUG			
10		A425-000000	1	SPARKPLUG	BPMR8Y		
11		900515-00008	1	NUT, FLANGE 8	8		
12		A409-000310	1	ROTOR, MAGNETO	ID:C10744G		
13		175046-56030	2	SHAFT, CLUTCH			
14		175049-56030	2	WASHER	8.5*16*0.5		
15		A553-000010	2	ARM, CLUTCH			
16		175048-05530	2	WASHER (I)	6.2*19*1.0		
17		V451-000400	1	SPRING, TENSION			
18		177202-40630	1	PAWL ASSY, STARTER			
19	+	900700-00004	1	E-RING 4	CE-4		
20	+	177234-42030	2	SPRING, RETURN			
21	+	177218-42030	2	PAWL, STARTER			
22		A051-001190	1	STARTER, RECOIL ASY			
23	+	177236-44330	1	SCREW			
24	+	177215-40630	1	DRUM, STARTER			

2. Starter,Magneto,Clutch



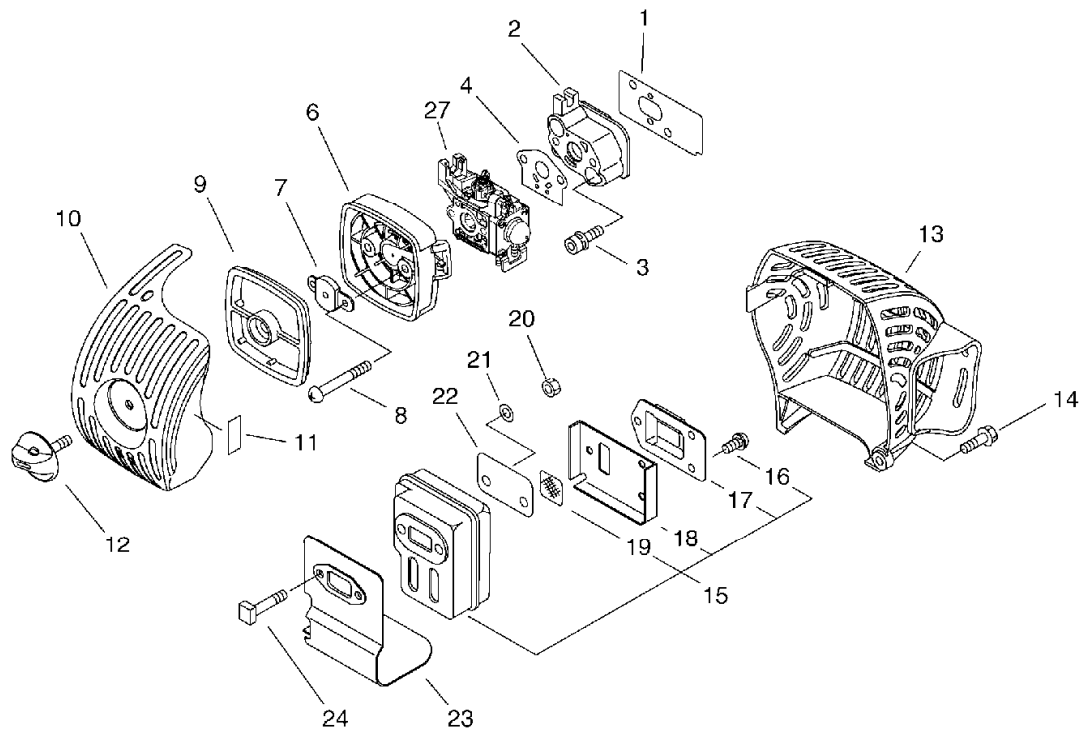
KEY	LV	PART NUMBER	Q'TY	DESCRIPTION	REMARKS	NOTE1	NOTE2
25	+	177220-40630	1	SPRING, REWIND			
26	+	177226-61830	1	ROPE, STARTER	3*800		
27	+	177228-27030	1	GRIP, STARTER			
28	+	177227-42030	1	GUIDE, ROPE			
29	+	P022-022010	4	NUT			
30	+	V202-000090	1	BOLT, 4	4*16		
31	+	X502-000330	1	LABEL, ECHO	ECHO		
32		A175-000030	1	STAND			
33		900603-00005	4	WASHER 5	5.5*12*0.8		
34		91118-05025	4	BOLT	CM-5*25		
35		900603-00004	2	WASHER 4	4.5*10*0.8		
36		V322-000031	2	WASHER, CIRCULAR 4			

3. Air Cleaner, Carburetor, Muffler (Sr/Nr 37005200 and before)



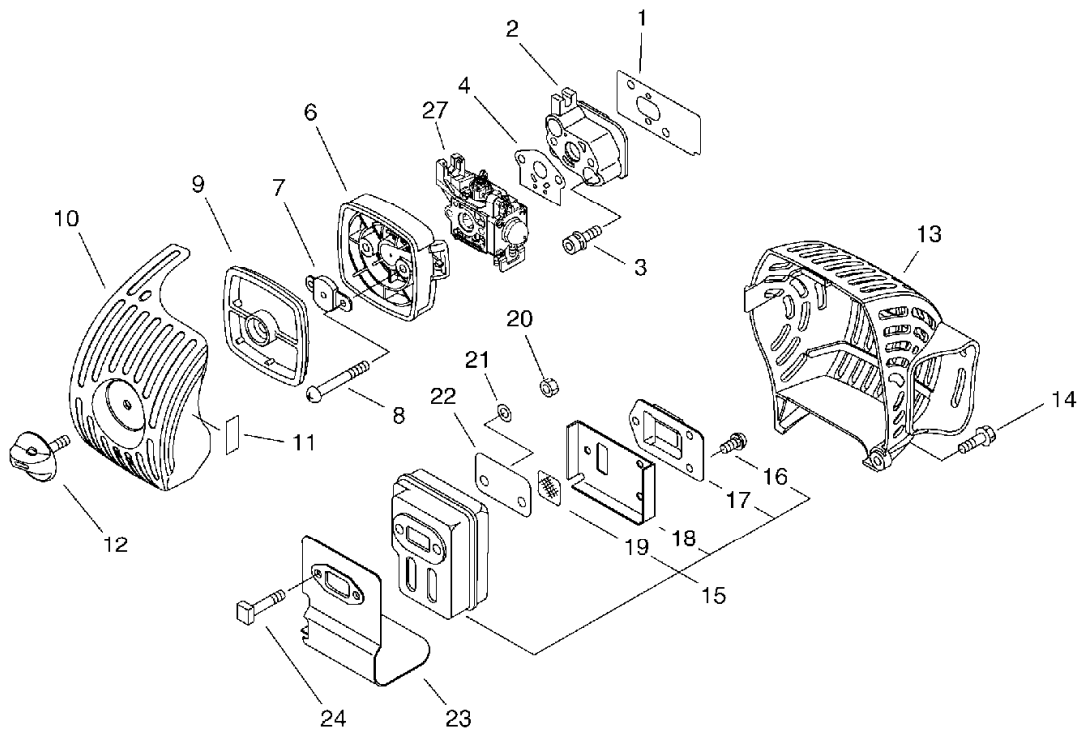
KEY	LV	PART NUMBER	Q'TY	DESCRIPTION	REMARKS	NOTE1	NOTE2
1		V103-000210	1	GASKET,INTAKE			
2		A200-000200	1	INSULATOR,INTAKE			
3		900162-05025	2	BOLT, H.S. 5*25	5*25 W,SW		
4		V103-000270	1	GASKET,INTAKE	T1.5-11		
5		A021-001530	1	CARBURETOR,DIAPHRAGM	RB-K	Sr/Nr 37005200 and before	
6		P021-004480	1	CASE, AIR CLEANER			
7		129011-52730	1	PLATE, PREVENT			
8		900242-05065	2	SCREW 5*65	5*65		
9		130310-54130	1	FILTER, AIR			
10		A232-000330	1	LID,CLEANER			
11		890332-52730	1	LABEL, CHOKE			
12		V299-000250	1	KNOB,FASTENER			
13		A320-000340	1	COVER,MUFFLER			
14		91121-05016	1	BOLT, FLANGE	10.9 SILVER		
15		P021-011580	1	MUFFLER ASY			
16	+	91367-04010	3	SCREW	4*10/SW(SUS)		
17	+	A313-000830	1	GUIDE, EXHAUST	ID#1330		
18	+	V104-000790	1	GASKET,EXHAUST			
19	+	145862-40630	1	SCREEN, MUFFLER			
20		900500-00005	2	NUT 5	5		
21		92280-05000	2	WASHER, NORD-LOCK	NL5 5.4*9*1.8		
22		V150-001760	1	PLATE,EYE			
23		V104-000780	1	GASKET,EXHAUST			
24		V203-000120	2	BOLT,5	L=60		

3. Air Cleaner, Carburetor, Muffler (Sr/Nr 37005200 and before)



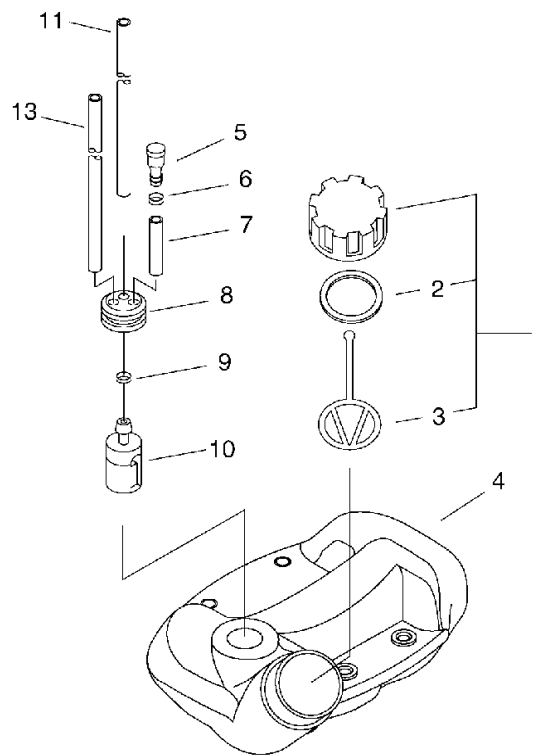
KEY	LV	PART NUMBER	Q'TY	DESCRIPTION	REMARKS	NOTE1	NOTE2
25		100015-00120	1	CIRCLIP, PISTON PIN		Disuse	
26		C486-000000	1	CABLE, ADJUSTER		Disuse	

4. Air Cleaner, Carburetor, Muffler (Sr/Nr 37005201 and after)



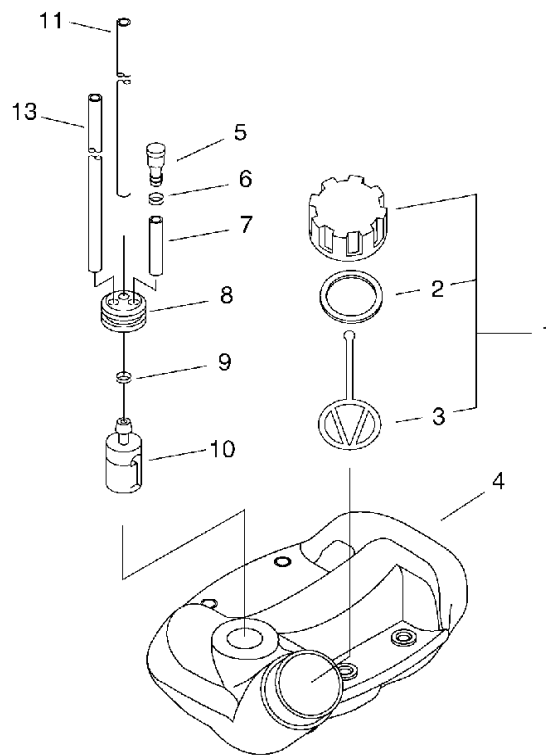
KEY	LV	PART NUMBER	Q'TY	DESCRIPTION	REMARKS	NOTE1	NOTE2
1		V103-000210	1	GASKET, INTAKE			
2		A200-000200	1	INSULATOR, INTAKE			
3		900162-05025	2	BOLT, H.S. 5*25	5*25 W, SW		
4		V103-000270	1	GASKET, INTAKE	T1.5-11		
27		A021-001740	1	CARBURETOR, DIAPHRAGM	RB-K94	Sr/Nr 37005201 and after	
6		P021-004480	1	CASE, AIR CLEANER			
7		129011-52730	1	PLATE, PREVENT			
8		900242-05065	2	SCREW 5*65	5*65		
9		130310-54130	1	FILTER, AIR			
10		A232-000330	1	LID, CLEANER			
11		890332-52730	1	LABEL, CHOKE			
12		V299-000250	1	KNOB, FASTENER			
13		A320-000340	1	COVER, MUFFLER			
14		91121-05016	1	BOLT, FLANGE	10.9 SILVER		
15		P021-011580	1	MUFFLER ASY			
16	+	91367-04010	3	SCREW	4*10/SW(SUS)		
17	+	A313-000830	1	GUIDE, EXHAUST	ID#1330		
18	+	V104-000790	1	GASKET, EXHAUST			
19	+	145862-40630	1	SCREEN, MUFFLER			
20		900500-00005	2	NUT 5	5		
21		92280-05000	2	WASHER, NORD-LOCK	NL5 5.4*9*1.8		
22		V150-001760	1	PLATE, EYE			
23		V104-000780	1	GASKET, EXHAUST			
24		V203-000120	2	BOLT, 5	L=60		

5. Fuel Tank(Sr/Nr 37002690 and befor)



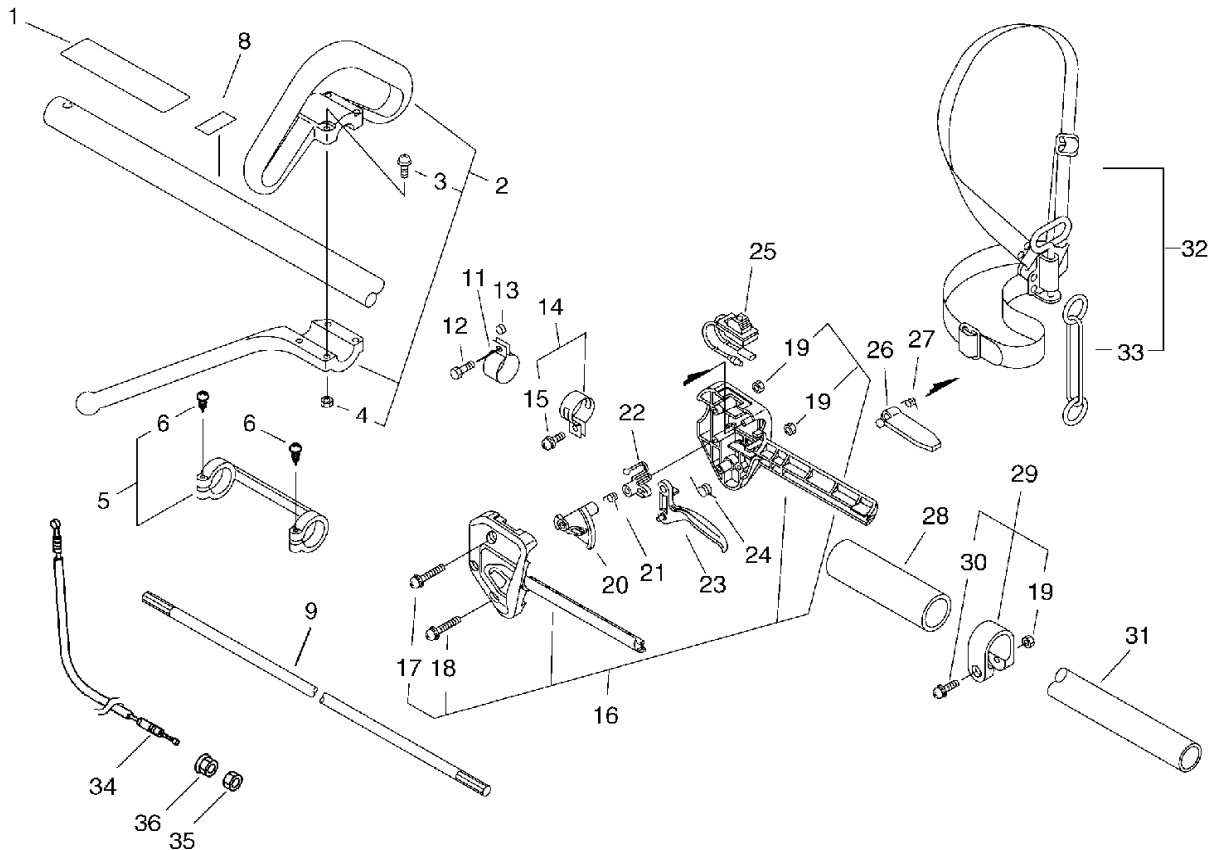
KEY	LV	PART NUMBER	Q'TY	DESCRIPTION	REMARKS	NOTE1	NOTE2
1		P021-012210	1	CAP,FUEL ASY			
2	+	131016-55830	1	GASKET, FUEL CAP			
3	+	A365-000060	1	CONNECTOR,CAP	L=123		
4		A350-000440	1	TANK, FUEL			
5		A356-000030	1	VALVE,CHECK			
6		132013-26630	1	CLIP	6.5MM		
7		V471-001180	1	PIPE	3*6*35 NBR		
8		132115-55930	1	GROMMET, FUEL			
9		132013-09820	1	CLIP	6MM		
10		131205-19830	1	STRAINER, FUEL		Sus. by 131205-19831	
11		V470-000580	1	PIPE	3*5*195		
12		132001-15030	1	VALVE, CHECK		Disuse	
13		132010-40830	1	PIPE 3* 6* 75	3*6*75 YL		

6. Fuel Tank(Sr/Nr 37002691 and after)



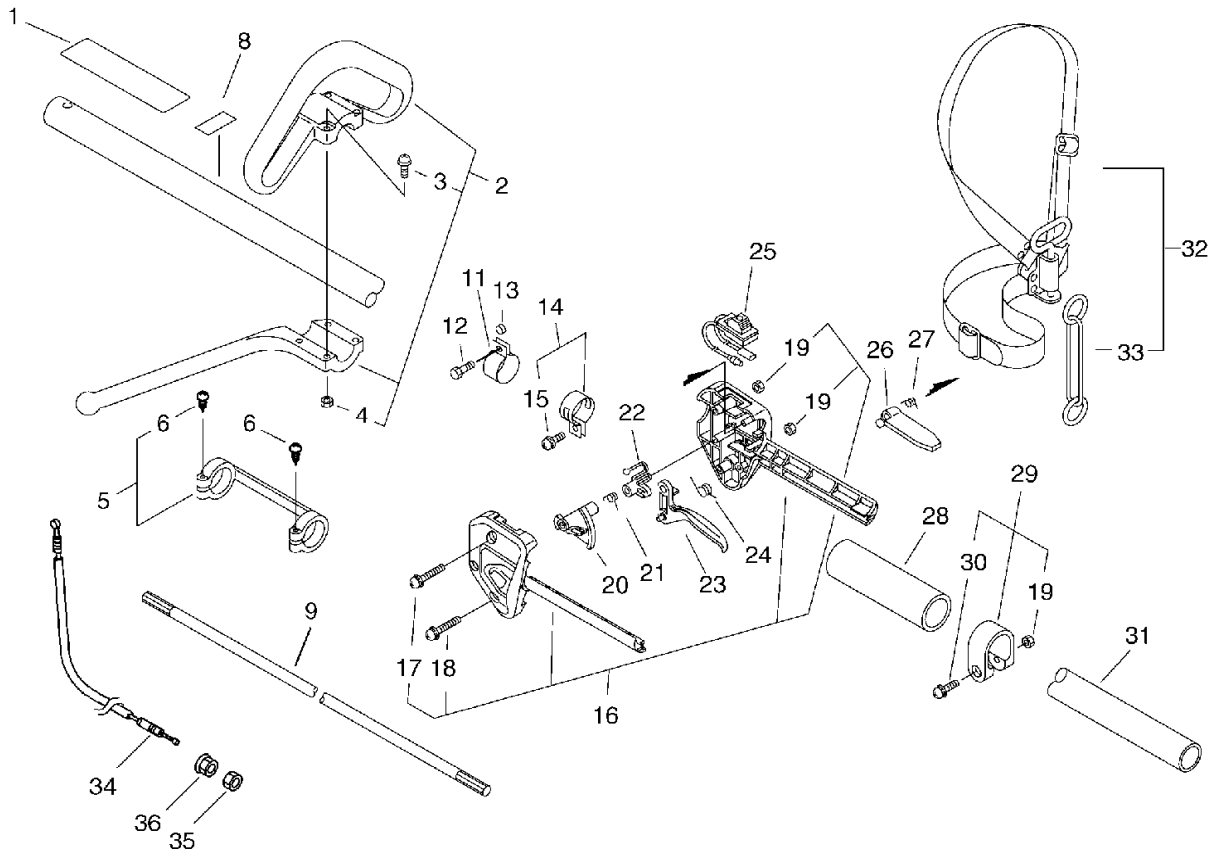
KEY	LV	PART NUMBER	Q'TY	DESCRIPTION	REMARKS	NOTE1	NOTE2
1		P021-012210	1	CAP,FUEL ASY			
2	+	131016-55830	1	GASKET, FUEL CAP			
3	+	A365-000060	1	CONNECTOR,CAP	L=123		
4		A350-000440	1	TANK, FUEL			
5		A356-000030	1	VALVE,CHECK			
6		132013-26630	1	CLIP	6.5MM		
7		V471-001180	1	PIPE	3*6*35 NBR		
8		132115-55930	1	GROMMET, FUEL			
9		132013-09820	1	CLIP	6MM		
10		131205-19830	1	STRAINER, FUEL			
11		V470-000580	1	PIPE	3*5*195		
13		132010-40830	1	PIPE 3*6*75	3*6*75 YL		

7. Handle(Sr/Nr 37005200 and befor)



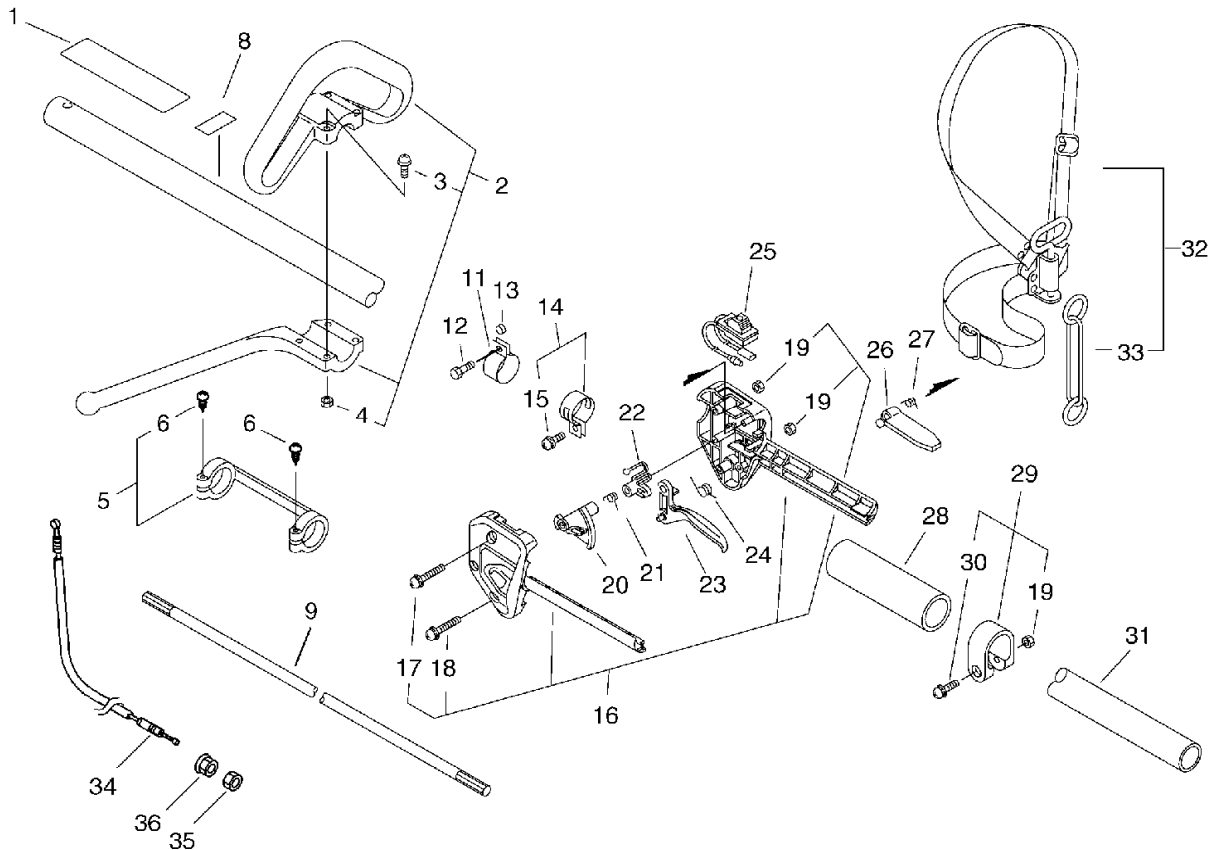
KEY	LV	PART NUMBER	Q'TY	DESCRIPTION	REMARKS	NOTE1	NOTE2
1		890617-43130	1	LABEL,CAUTION			
2		351201-54130	1	HANDLE ASSY, LOOP			
3	+	91118-05035	4	BOLT			
4	+	900500-00005	4	NUT 5	5		
5		610281-54130	1	COLLER			
6	+	900253-04025	2	SCREW 4*25	4*25		
7		V430-001880	1	CABLE,BOWDEN	320+71	Sr/Nr 37005200 and before	
8		890152-04930	1	LABEL, CAUTION			
9		610011-25530	1	SHAFT, DRIVE			
11		301207-08930	1	HOOK			
12		91118-05018	1	BOLT	CM-5*18		
13		699012-03330	1	SPACER			
14		301200-29430	1	BAND ASSY			
15	+	91118-05014	1	BOLT			
16		P021-005850	1	BRACKET SET,THROTTLE			
17	+	91118-05035	1	BOLT			
18	+	91118-05025	1	BOLT	CM-5*25		
19	+	900500-00005	2	NUT 5	5		
20		C461-000010	1	LATCH,THROTTLE			
21		V452-000120	1	SPRING,TORSION			
22		C461-000000	1	LATCH,THROTTLE			
23		C450-000110	1	TRIGGER,THROTTLE			
24		178043-42230	1	SPRING, THR. RETURN			
25		A440-000890	1	SWITCH, ON OFF	CA/CB-104/L:660		

7. Handle(Sr/Nr 37005200 and befor)



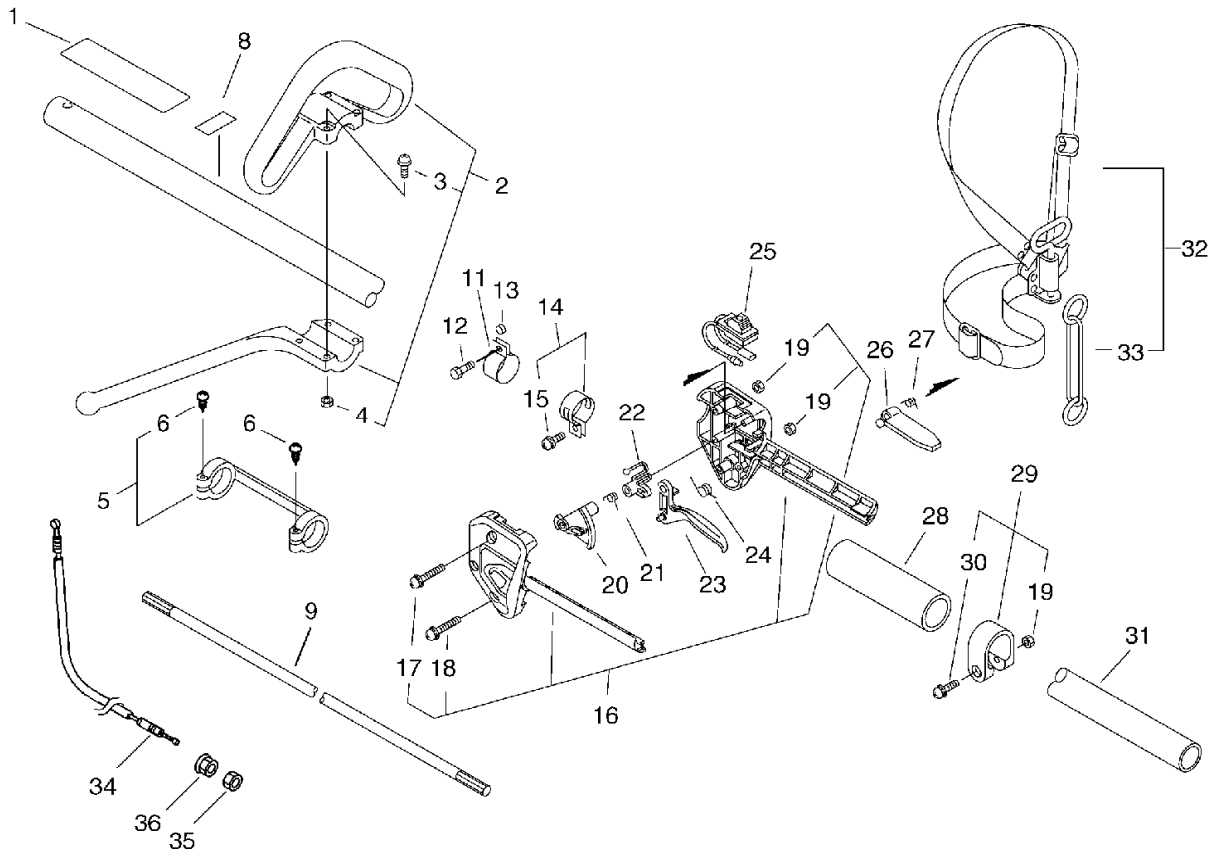
KEY	LV	PART NUMBER	Q'TY	DESCRIPTION	REMARKS	NOTE1	NOTE2
26		178090-52632	1	LOCKOUT, T. CONTROL			
27		178013-52630	1	SPRING, THR. LOCK			
28		C403-000140	1	GRIP, HANDLE	L129,5*28		
29		610272-52130	1	BAND			
19	+	900500-00005	1	NUT 5	5		
30	+	91118-05028	1	BOLT	CM-5*28		
31		610206-23030	1	HOUSING ASSY, D.SFT			
32		301000-55230	1	HARNESS ASSY			
33	+	301305-24330	1	LINK			

8. Handle(Sr/Nr 37005201 and after)



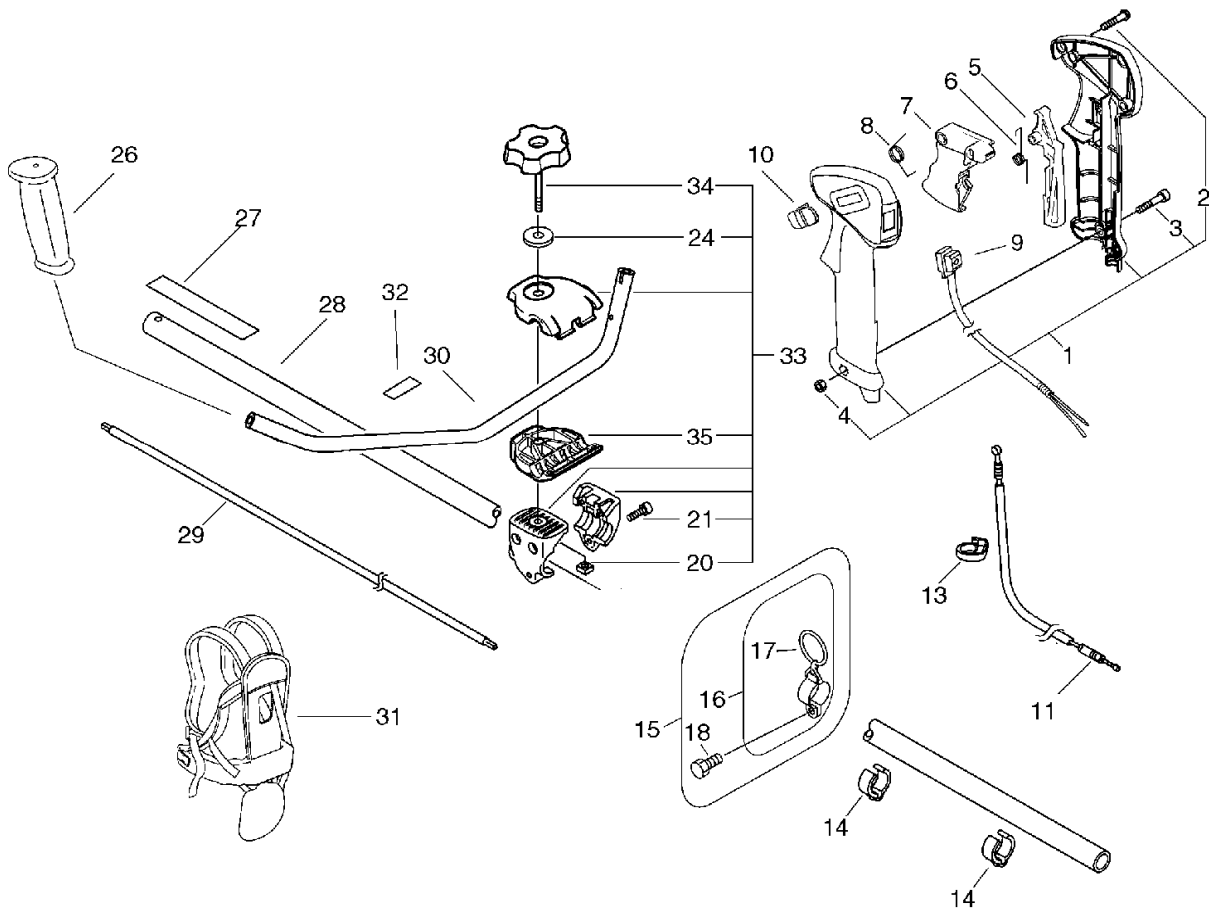
KEY	LV	PART NUMBER	Q'TY	DESCRIPTION	REMARKS	NOTE1	NOTE2
1		890617-43130	1	LABEL,CAUTION			
2		351201-54130	1	HANDLE ASSY, LOOP			
3	+	91118-05035	4	BOLT			
4	+	900500-00005	4	NUT 5	5		
5		610281-54130	1	COLLER			
6	+	900253-04025	2	SCREW 4*25	4*25		
8		890152-04930	1	LABEL, CAUTION			
9		610011-25530	1	SHAFT, DRIVE			
11		301207-08930	1	HOOK			
12		91118-05018	1	BOLT	CM-5*18		
13		699012-03330	1	SPACER			
14		301200-29430	1	BAND ASSY			
15	+	91118-05014	1	BOLT			
16		P021-005850	1	BRACKET SET,THROTTLE			
17	+	91118-05035	1	BOLT			
18	+	91118-05025	1	BOLT	CM-5*25		
19	+	900500-00005	2	NUT 5	5		
20		C461-000010	1	LATCH,THROTTLE			
21		V452-000120	1	SPRING,TORSION			
22		C461-000000	1	LATCH,THROTTLE			
23		C450-000110	1	TRIGGER,THROTTLE			
24		178043-42230	1	SPRING, THR. RETURN			
25		A440-001130	1	SWITCH, ON OFF	CA/CB-104/L:660		
26		178090-52632	1	LOCKOUT, T. CONTROL			
27		178013-52630	1	SPRING, THR. LOCK			

8. Handle(Sr/Nr 37005201 and after)



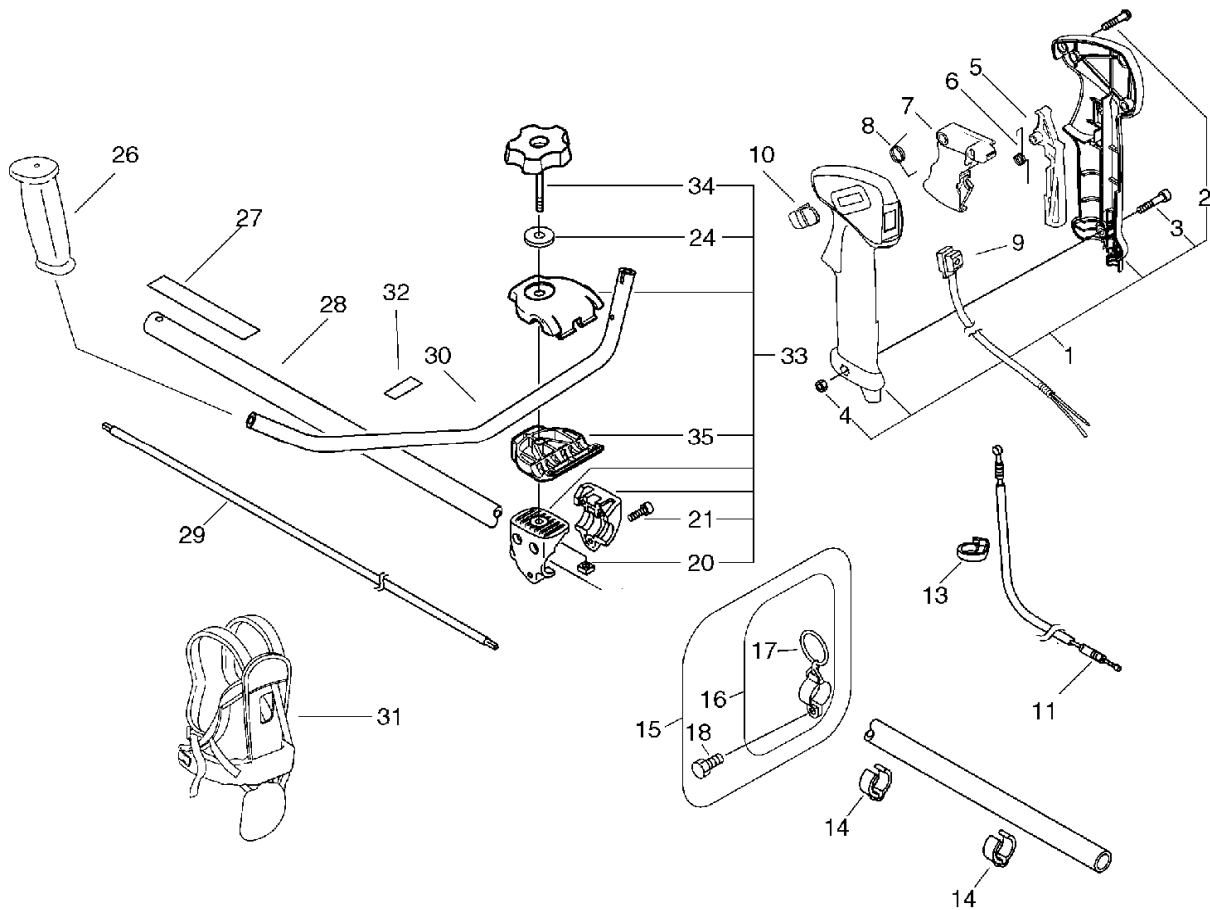
KEY	LV	PART NUMBER	Q'TY	DESCRIPTION	REMARKS	NOTE1	NOTE2
28		C403-000140	1	GRIP, HANDLE	L129.5*28		
29		610272-52130	1	BAND			
19	+	900500-00005	1	NUT 5	5		
30	+	91118-05028	1	BOLT	CM-5*28		
31		610206-23030	1	HOUSING ASS'Y, D.SFT			
32		301000-55230	1	HARNESS ASSY			
33	+	301305-24330	1	LINK			
34		V430-002290	1	CABLE,BOWDEN	330+61		Sr/Nr 37005201 and after
35		900502-00006	1	NUT 6 (3N)	3N6		Sr/Nr 37005201 and after
36		900518-00006	1	NUT, FLANGE	6		Sr/Nr 37005201 and after

9. Handle(Sr/Nr 37004300 and befor)



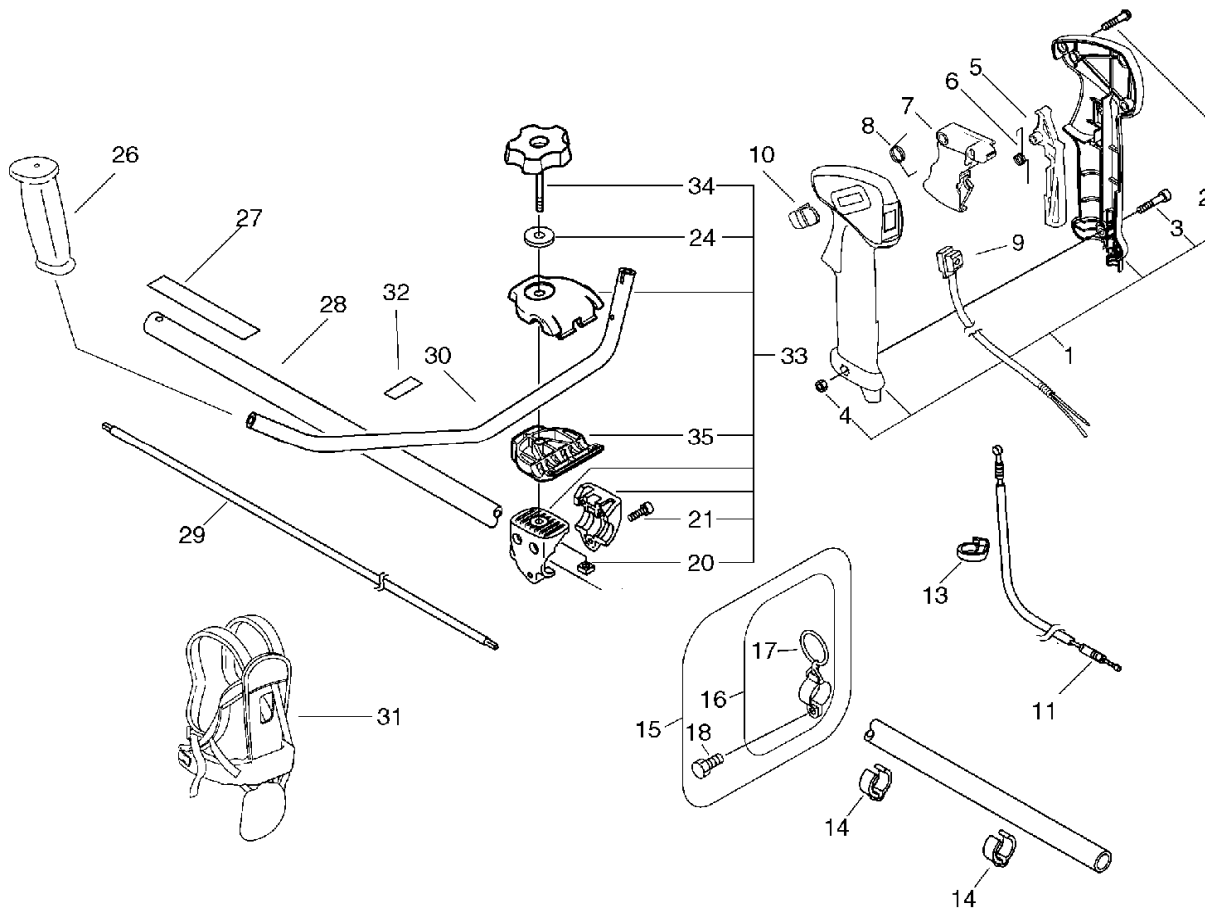
KEY	LV	PART NUMBER	Q'TY	DESCRIPTION	REMARKS	NOTE1	NOTE2
1		P021-014090	1	GRIP ASY,F-HANDLE			
2	+	900256-04016	3	SCREW 4*16	4*16		
3	+	91119-05030	1	BOLT			
4	+	900500-00005	1	NUT 5	5		
5		C460-000110	1	LOCKOUT, THROTTLE			
6		V452-000350	1	SPRING,TORSION			
7		C450-000270	1	CONTROL, THROTTLE			
8		V452-000360	1	SPRING,TORSION			
9		A440-001030	1	SWITCH, ON OFF			
10		C463-000020	1	KNOB, LATCH			
11		V430-001970	1	CABLE,BOWDEN	OUT860 IN97 120D		
13		159112-09961	1	CLIP			
14		224924-52130	2	CLIP	25MM		
15		P021-013580	1	RING, HARNESS KIT			
16	+	301205-21330	1	HOOK			
17	++	301015-05330	1	HOOK, BAND			
18	+	91121-05012	1	BOLT, FLANGE	10.9 SILVER		
19		P021-012790	1	FIXTURE,ASY HANDLE	SRM-270U	Sr/Nr 37004300 and before	
20	+	900565-50008	1	NUT	8*1.25		
21	+	91118-05030	3	BOLT			
22	+	351314-52130	1	BRACKET, HANDLE (L)		Sr/Nr 37004300 and before	
23	+	91118-05020	2	BOLT	CM-5*20	Sr/Nr 37004300 and before	

9. Handle(Sr/Nr 37004300 and befor)



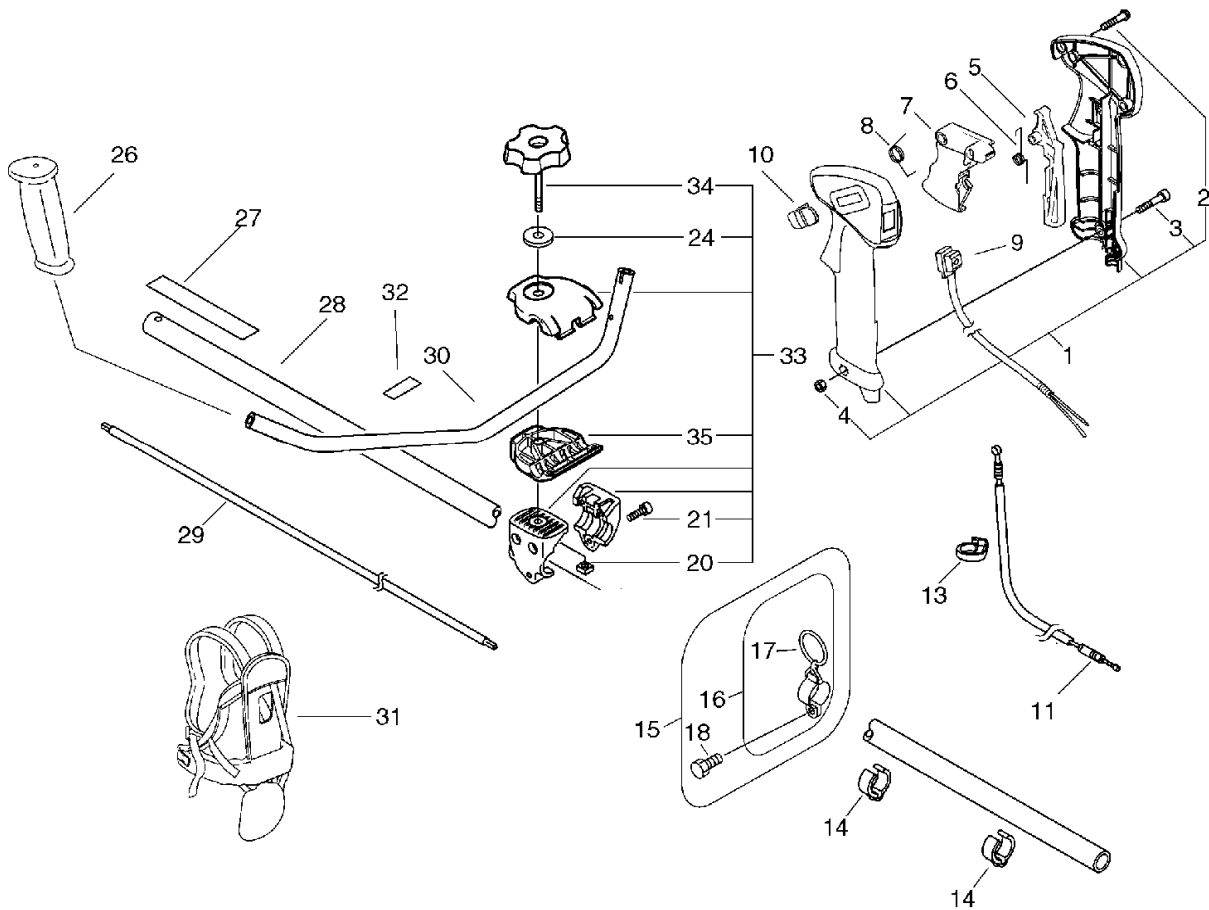
KEY	LV	PART NUMBER	Q'TY	DESCRIPTION	REMARKS	NOTE1	NOTE2
24	+	605014-54230	1	WASHER			
25	+	351421-52130	1	BOLT		Sr/Nr 37004300 and before	
26		C403-000031	1	GRIP,HANDLE			
27		890617-43130	1	LABEL,CAUTION			
28		610206-23030	1	HOUSING ASS'Y, D.SFT			
29		610011-25530	1	SHAFT, DRIVE			
30		C400-000211	1	HANDLE,FRONT			
31		C062-000192	1	HARNESS,SHOULDER			
32		890152-04930	1	LABEL, CAUTION			

10. Handle(Sr/Nr 37004901 to 37005200)



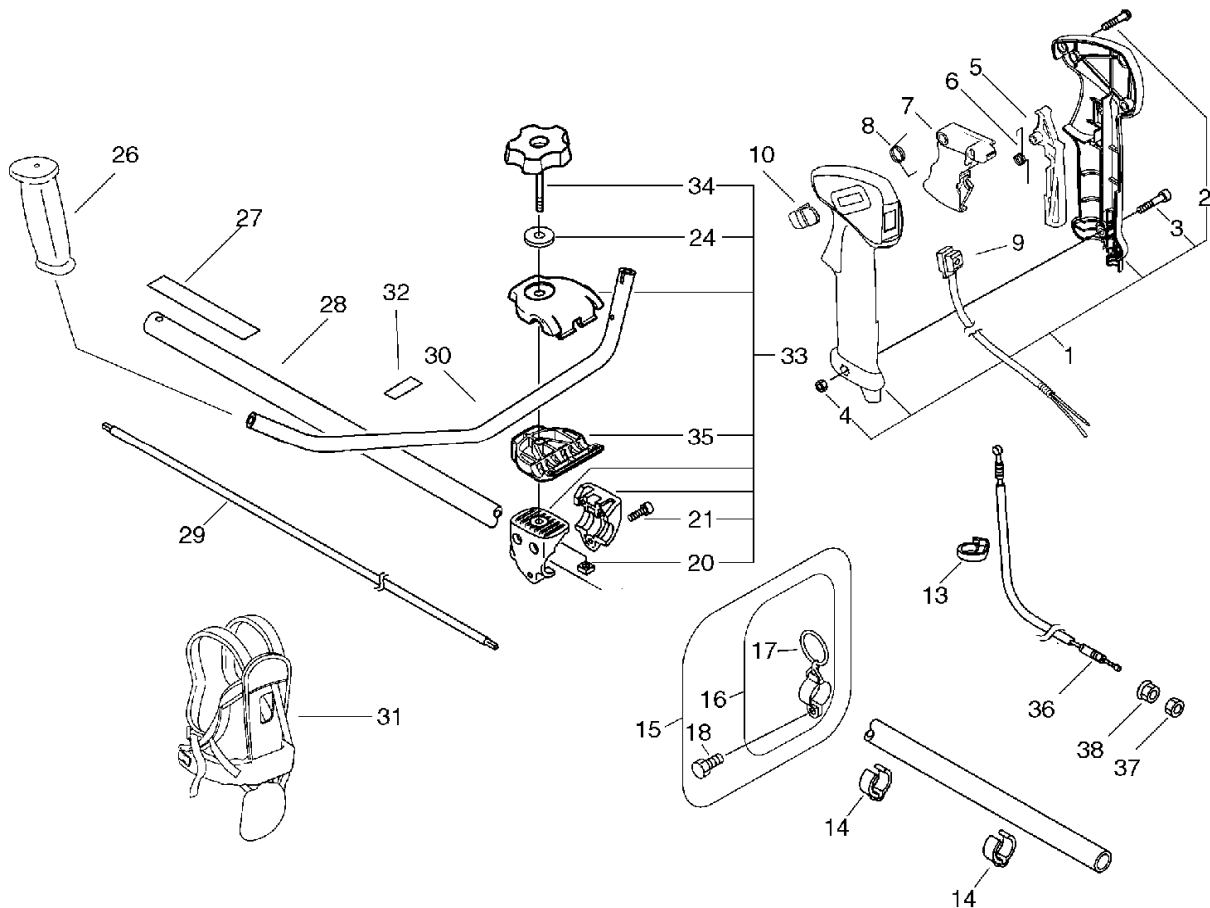
KEY	LV	PART NUMBER	Q'TY	DESCRIPTION	REMARKS	NOTE1	NOTE2
1		P021-014090	1	GRIP ASY,F-HANDLE			
2	+	900256-04016	3	SCREW 4*16	4*16		
3	+	91119-05030	1	BOLT			
4	+	900500-00005	1	NUT 5	5		
5		C460-000111	1	LOCKOUT, THROTTLE	70MM		
6		V452-000350	1	SPRING,TORSION			
7		C450-000270	1	CONTROL, THROTTLE			
8		V452-000360	1	SPRING,TORSION			
9		A440-001030	1	SWITCH, ON OFF			
10		C463-000020	1	KNOB, LATCH			
11		V430-001970	1	CABLE,BOWDEN	OUT860 IN97 120D	Sr/Nr 37005200 and before	
13		159112-09961	1	CLIP			
14		224924-52130	2	CLIP	25MM		
15		P021-013580	1	RING, HARNESS KIT			
16	+	301205-21330	1	HOOK			
17	++	301015-05330	1	HOOK, BAND			
18	+	91121-05012	1	BOLT, FLANGE	10.9 SILVER		
33		P021-012820	1	FIXTURE,ASY HANDLE	SRM-2655SI	Sr/Nr 37004901 and after	
20	+	900565-50008	1	NUT	8*1.25		
21	+	91118-05030	3	BOLT			
35	+	C423-000041	1	FIXTURE,HANDLE		Sr/Nr 37004901 and after	
24	+	605014-54230	1	WASHER			

10. Handle(Sr/Nr 37004901 to 37005200)



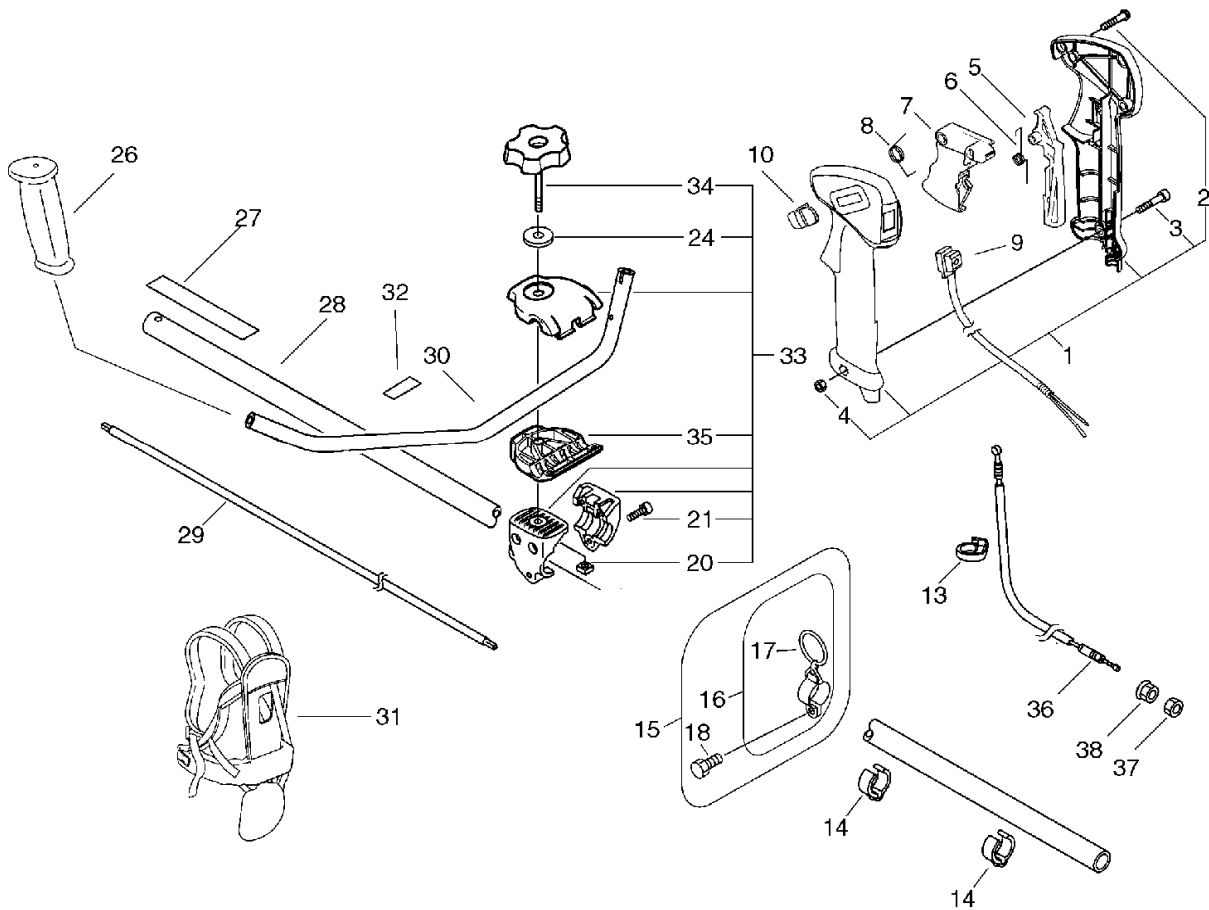
KEY	LV	PART NUMBER	Q'TY	DESCRIPTION	REMARKS	NOTE1	NOTE2
34	+	V299-000110	1	KNOB,FASTENER		Sr/Nr 37004901 and after	
26		C403-000031	1	GRIP,HANDLE			
27		890617-43130	1	LABEL,CAUTION			
28		610206-23030	1	HOUSING ASSY, D.SFT			
29		610011-25530	1	SHAFT, DRIVE			
30		C400-000211	1	HANDLE,FRONT			
31		C062-000192	1	HARNES,SHOULDER			
32		890152-04930	1	LABEL, CAUTION			

11. Handle(Sr/Nr 37005201 and after)



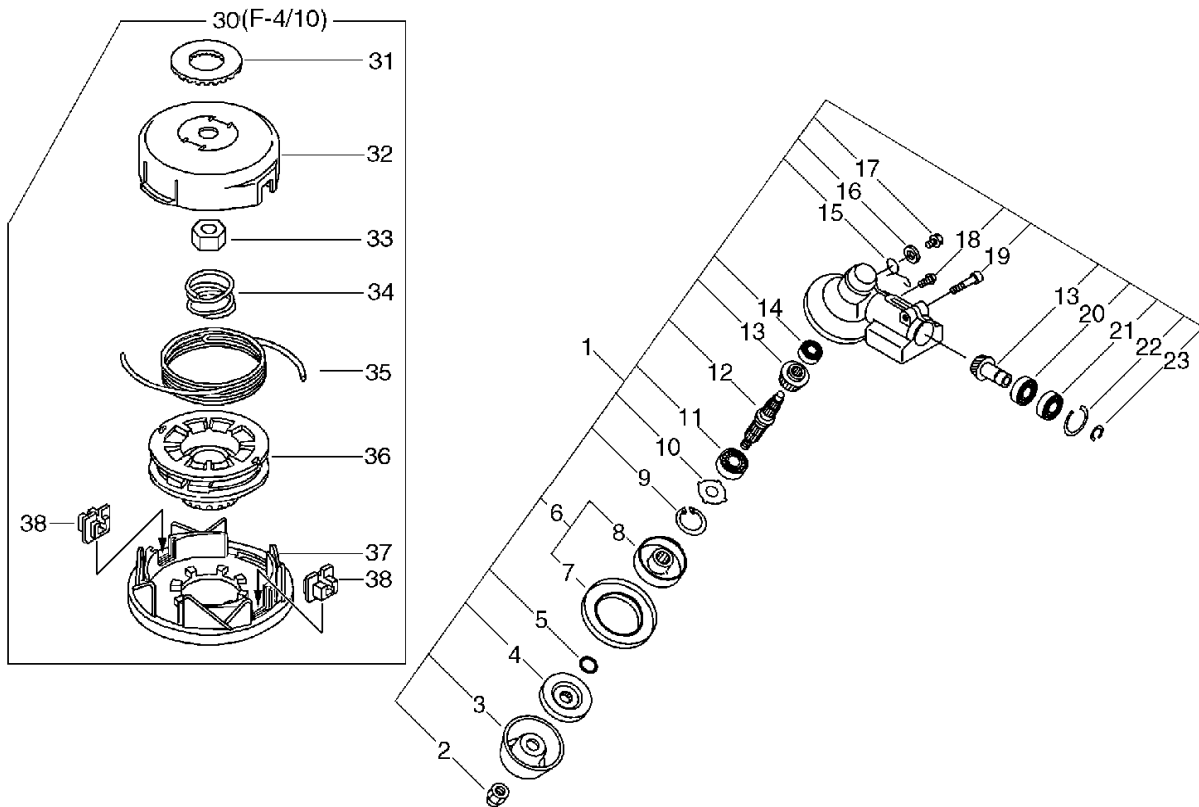
KEY	LV	PART NUMBER	Q'TY	DESCRIPTION	REMARKS	NOTE1	NOTE2
1		P021-014090	1	GRIP ASY,F-HANDLE			
2	+	900256-04016	3	SCREW 4*16	4*16		
3	+	91119-05030	1	BOLT			
4	+	900500-00005	1	NUT 5	5		
5		C460-000111	1	LOCKOUT, THROTTLE	70MM		
6		V452-000350	1	SPRING,TORSION			
7		C450-000270	1	CONTROL, THROTTLE			
8		V452-000360	1	SPRING,TORSION			
9		A440-001030	1	SWITCH, ON OFF			
10		C463-000020	1	KNOB, LATCH			
13		159112-09961	1	CLIP			
14		224924-52130	2	CLIP	25MM		
15		P021-013580	1	RING, HARNESS KIT			
16	+	301205-21330	1	HOOK			
17	++	301015-05330	1	HOOK, BAND			
18	+	91121-05012	1	BOLT, FLANGE	10.9 SILVER		
33		P021-012820	1	FIXTURE,ASY HANDLE	SRM-2655SI		
20	+	900565-50008	1	NUT	8*1.25		
21	+	91118-05030	3	BOLT			
35	+	C423-000041	1	FIXTURE,HANDLE			
24	+	605014-54230	1	WASHER			
34	+	V299-000110	1	KNOB,FASTENER			
26		C403-000031	1	GRIP,HANDLE			
27		890617-43130	1	LABEL,CAUTION			
28		610206-23030	1	HOUSING ASS'Y, D.SFT			
29		610011-25530	1	SHAFT, DRIVE			

11. Handle(Sr/Nr 37005201 and after)



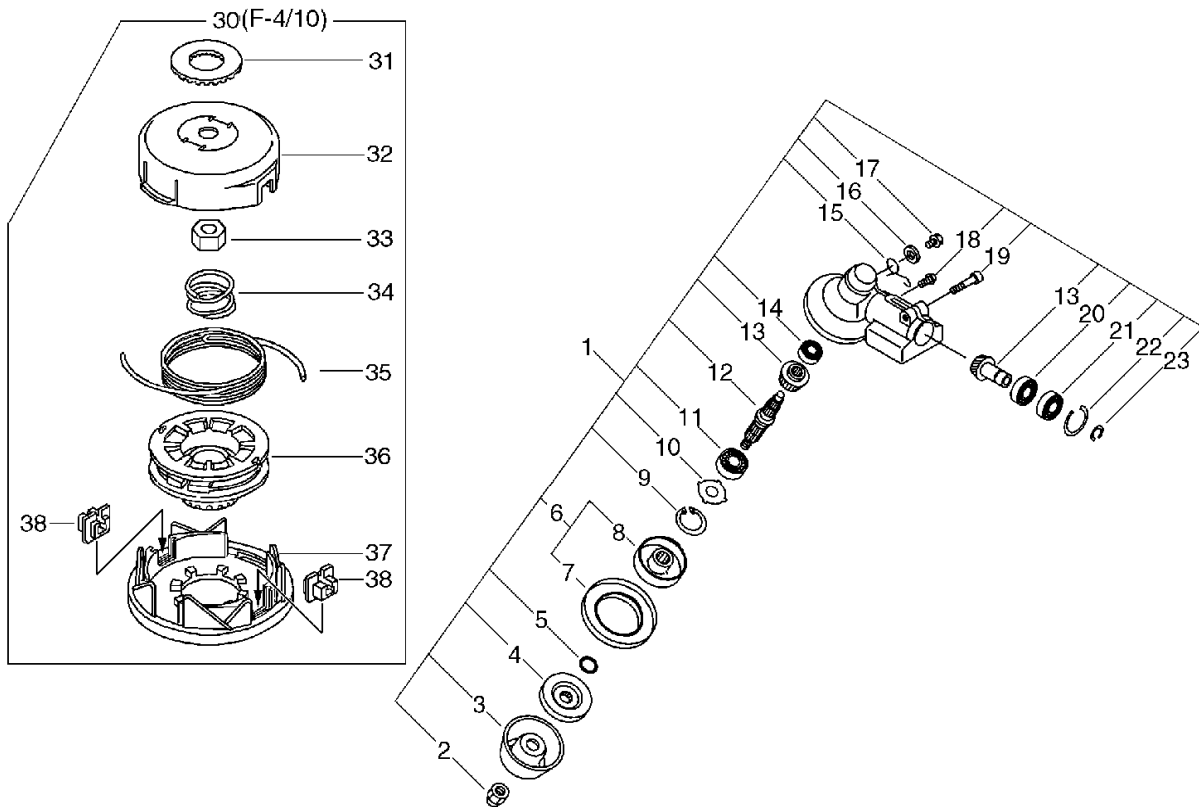
KEY	LV	PART NUMBER	Q'TY	DESCRIPTION	REMARKS	NOTE1	NOTE2
30		C400-000211	1	HANDLE,FRONT			
31		C062-000192	1	HARNES,SHOULDER			
32		890152-04930	1	LABEL, CAUTION			
36		V430-002310	1	CABLE,BOWDEN	870+86	Sr/Nr 37005201 and after	
37		900502-00006	1	NUT 6 (3N)	3N6	Sr/Nr 37005201 and after	
38		900518-00006	1	NUT, FLANGE	6	Sr/Nr 37005201 and after	

12. Gear Case (L)



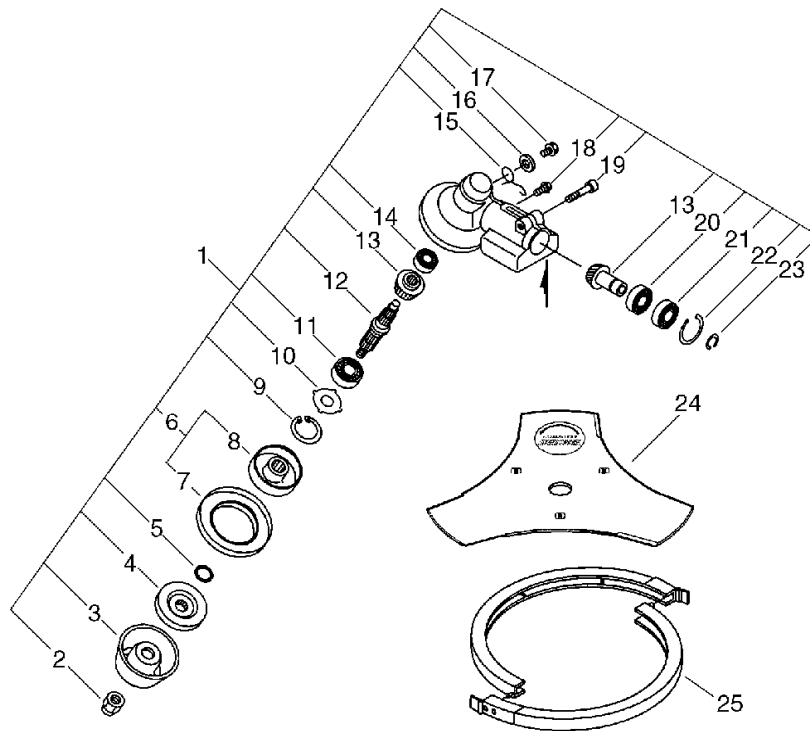
KEY	LV	PART NUMBER	Q'TY	DESCRIPTION	REMARKS	NOTE1	NOTE2
1		P021-012600	1	CASE,GEAR			
2	+	610320-52130	1	NUT 10			
3	+	699229-56830	1	PLATE, COVER			
4	+	610314-52130	1	PLATE, ADAPTER (L)			
5	+	900720-00012	1	O-RING 12	P-12		
6	+	610313-52932	1	FIXTURE, BLADE			
7	++	610352-56830	1	PLATE, CUP			
8	++	610313-52132	1	FIXTURE, BLADE			
9	+	900702-00032	1	CIRCLIP 32	CR-32		
10	+	610444-56830	1	WASHER			
11	+	900812-06201	1	BEARING, BALL 6201	6201DDU(LLU)		
12	+	610310-56830	1	SHAFT, P.T.O.			
13	+	610300-25531	1	GEAR SET	7S		
14	+	900810-00626	1	BEARING, BALL 626	626		
15	+	610473-52131	1	SPRING			
16	+	900603-50008	1	WASHER	8.5*18*0.8T		
17	+	610434-50031	1	BOLT 8*8	M8*8		
18	+	900242-05010	1	SCREW 5*10	5*10		
19	+	91118-06025	1	BOLT			
20	+	900855-06900	1	BEARING, BALL 6900	6900		
21	+	900858-06900	1	BEARING, BALL 6900Z	6900Z		
22	+	900702-00022	1	CIRCLIP 22	CR-22		
23	+	900706-00010	1	CIRCLIP 10	WR-10		
30		X047-000270	1	CUTTER, ASM LINE	F4/10 M10L		
31	+	P022-022050	1	WASHER			
32	+	P022-003310	1	HOUSING			

12. Gear Case (L)



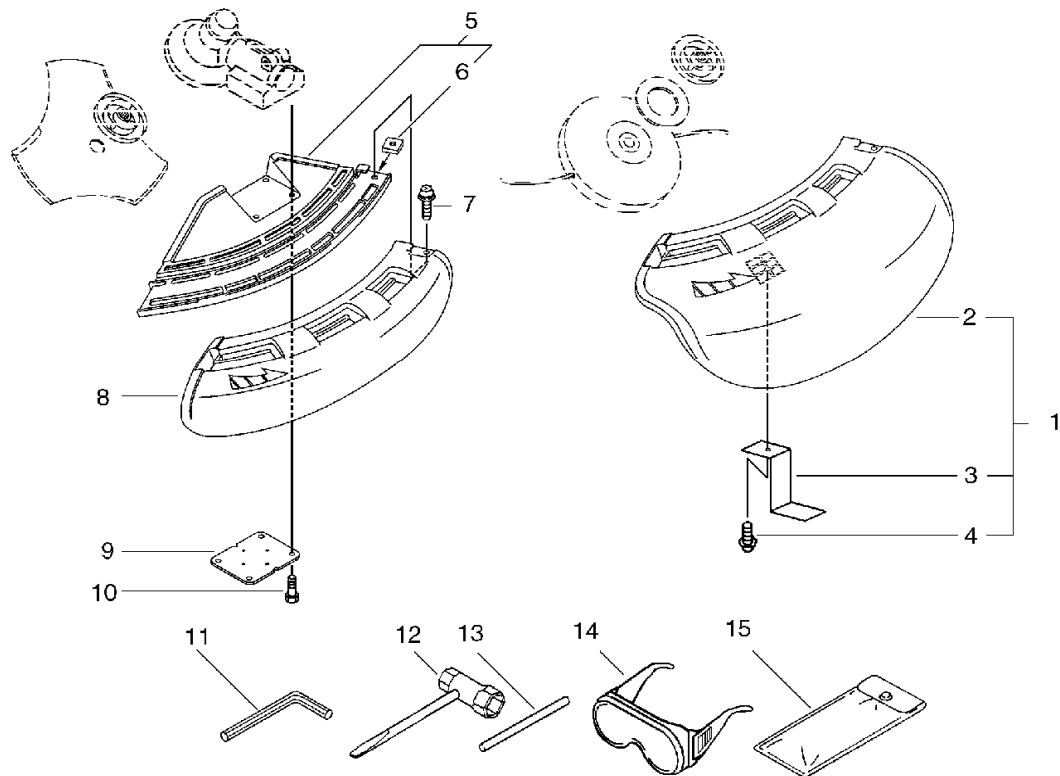
KEY	LV	PART NUMBER	Q'TY	DESCRIPTION	REMARKS	NOTE1	NOTE2
33	+	P022-001220	1	NUT			
34	+	P022-001250	1	SPRING	DS-3/10		
35	+	P022-006190	1	NYLON CODE	3.0*2M		
36	+	P022-001260	1	BOBBIN	DS-3/10		
37	+	P022-003330	1	COVER			
38	+	P022-000710	2	EYELET	T4		

13. Gear Case (U)



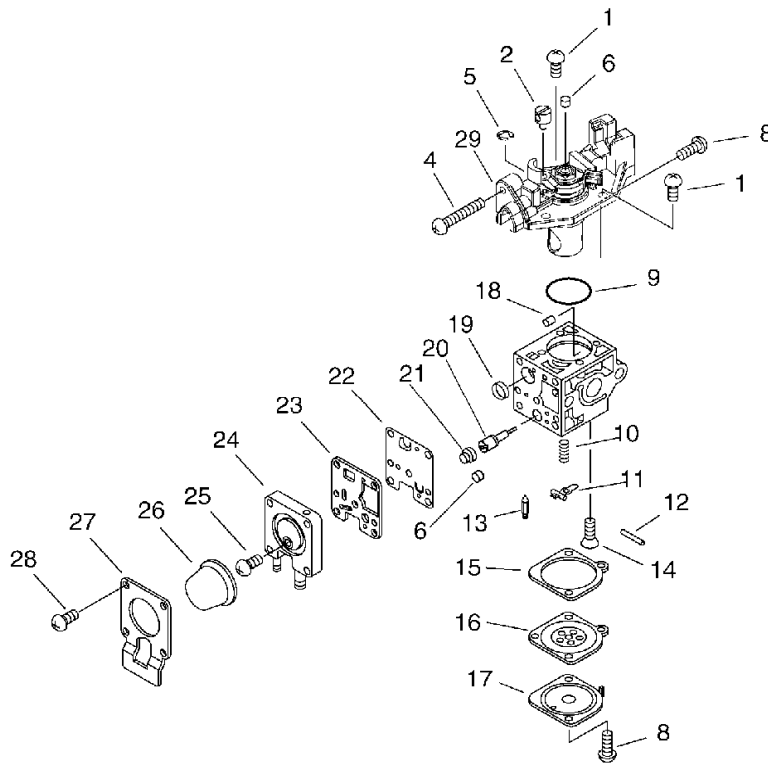
KEY	LV	PART NUMBER	Q'TY	DESCRIPTION	REMARKS	NOTE1	NOTE2
1		P021-012600	1	CASE, GEAR			
2	+	610320-52130	1	NUT 10			
3	+	699229-56830	1	PLATE, COVER			
4	+	610314-52130	1	PLATE, ADAPTER (L)			
5	+	900720-00012	1	O-RING 12	P-12		
6	+	610313-52932	1	FIXTURE, BLADE			
7	++	610352-56830	1	PLATE, CUP			
8	++	610313-52132	1	FIXTURE, BLADE			
9	+	900702-00032	1	CIRCLIP 32	CR-32		
10	+	610444-56830	1	WASHER			
11	+	900812-06201	1	BEARING, BALL 6201	6201DDU(LLU)		
12	+	610310-56830	1	SHAFT, P.T.O.			
13	+	610300-25531	1	GEAR SET	7S		
14	+	900810-00626	1	BEARING, BALL 626	626		
15	+	610473-52131	1	SPRING			
16	+	900603-50008	1	WASHER	8.5*18*0.8T		
17	+	610434-50031	1	BOLT 8*8	M8*8		
18	+	900242-05010	1	SCREW 5*10	5*10		
19	+	91118-06025	1	BOLT			
20	+	900855-06900	1	BEARING, BALL 6900	6900		
21	+	900858-06900	1	BEARING, BALL 6900Z	6900Z		
22	+	900702-00022	1	CIRCLIP 22	CR-22		
23	+	900706-00010	1	CIRCLIP 10	WR-10		
24		X405-000011	1	SAW, BUSH CUTTER	3*230*25.4*T2.0		
25		P021-007470	1	SCABBARD, BLADE			

14. Shield Tools



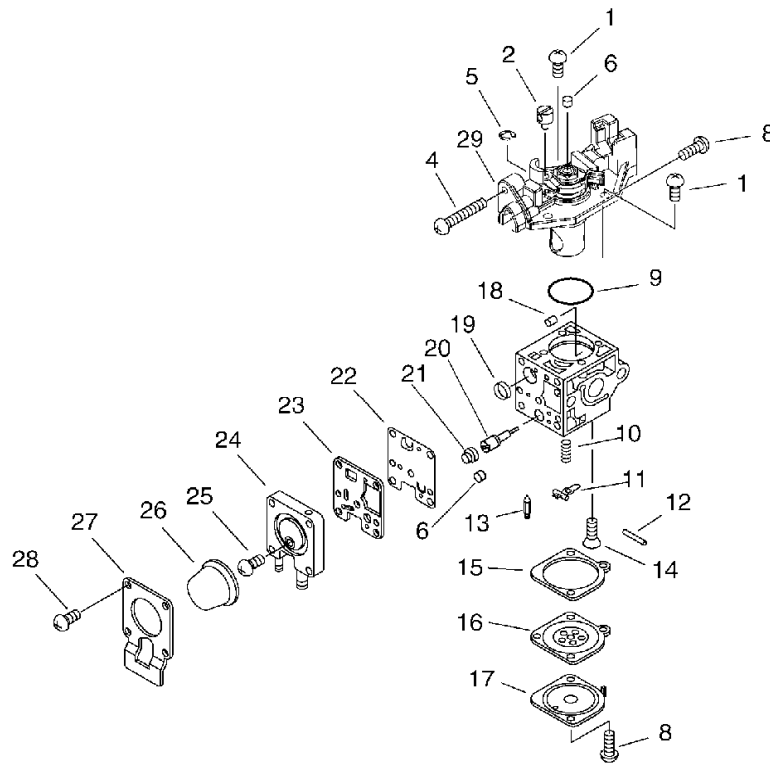
KEY	LV	PART NUMBER	Q'TY	DESCRIPTION	REMARKS	NOTE1	NOTE2
1		P021-002620	1	SHIELD, BLADE (W/KNIFE)			
2	+	C550-000080	1	SHIELD, BLADE			
3	+	C554-000030	1	KNIFE, CORD	17 INCH		
4	+	900252-05012	1	SCREW 5*12	5*12		
5		C550-000100	1	SHIELD, BLADE			
6	+	900565-00005	1	NUT	5		
7		91118-05018	1	BOLT	CM-5*18		
8		C550-000090	1	SHIELD, BLADE			
9		699013-56830	1	PLATE, SHIELD			
10		91118-05025	4	BOLT	CM-5*25		
11		895610-00130	1	L-WRENCH (4MM)			
12		X602-000020	1	TOOL, WRENCH	17*19 L200		
13		897518-01131	1	LOCKING TOOL			
14		P021-002861	1	GOGGLES			
15		898510-07130	1	BAG, TOOL			

15. Carburetor(Sr/Nr 37005200 and befor)



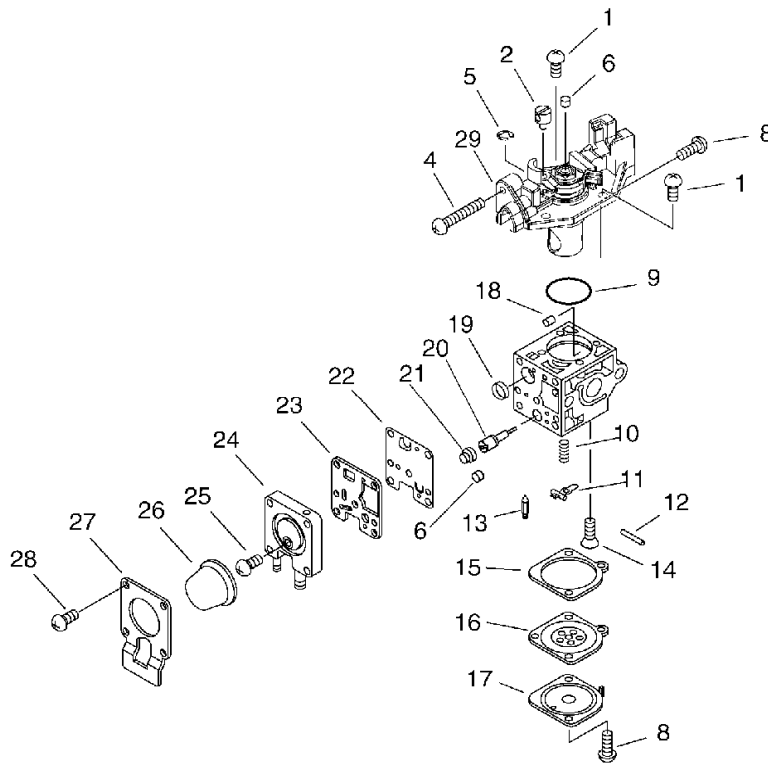
KEY	LV	PART NUMBER	Q'TY	DESCRIPTION	REMARKS	NOTE1	NOTE2
		A021-001530	1	CARBURETOR,DIAPHRAGM	RB-K	Sr/Nr 37005201 and befor	
1	+	125344-13931	3	SCREW			
2	+	P005-001240	1	POST			
3	+	P005-001980	1	COVER ASY, ROTOR		Sr/Nr 37005201 and befor	
4	+	P005-000100	1	SCREW,THROTTLEADJUST			
5	+	P005-000190	1	E-RING			
6	+	P005-001270	2	PLUG, H AJUST SCREW			
7	+	P005-002010	1	SCREW, WIRW ADJUST			
8	+	125344-52130	3	SCREW			
9	+	P005-000280	1	O-RING			
10	+	125322-07260	1	SPRING, COIL			
11	+	125323-08260	1	ARM, VALVE			
12	+	125338-13930	1	PIN, METERING ARM			
13	+	125337-08260	1	VALVE, INLET NEEDLE			
14	+	125339-42030	1	SCREW			
15	+	P005-000200	1	GASKET, METERING			
16	+	P005-001780	1	DIAPHRAGM			
17	+	125342-52130	1	COVER, DIAPHRAGM			
18	+	P005-001000	1	ROLLER, GUIDE			
19	+	P005-000010	1	STRAINER			
20	+	P005-001290	1	SCREW,MAINN MIXTURE			
21	+	P005-001250	1	RETAINER,PLUG BALL			
22	+	P005-000510	1	DIAPHRAGM, PUMP			
23	+	P005-000520	1	GASKET, PUMP			

15. Carburetor(Sr/Nr 37005200 and befor)



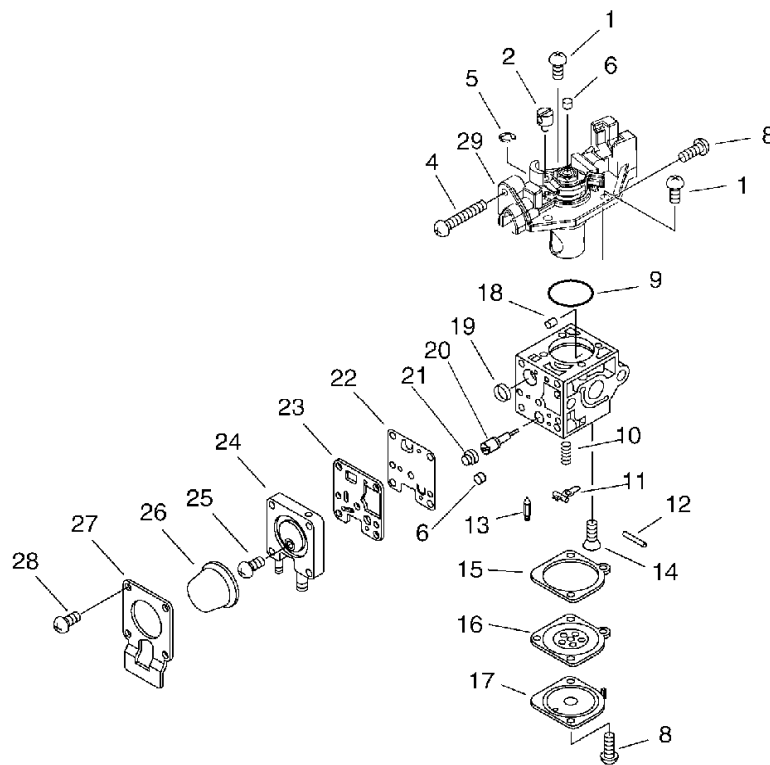
KEY	LV	PART NUMBER	Q'TY	DESCRIPTION	REMARKS	NOTE1	NOTE2
24	+	P005-001890	1	BASE, ASY PRIMER			
25	+	P005-000270	1	SCREW			
26	+	125381-08660	1	PUMP, PRIMING			
27	+	P005-000250	1	RETAINER			
28	+	P005-001900	4	SCREW			

16. Carburetor(Sr/Nr 37005201 and after)



KEY	LV	PART NUMBER	Q'TY	DESCRIPTION	REMARKS	NOTE1	NOTE2
		A021-001740	1	CARBURETOR,DIAPHRAGM	RB-K94	Sr/Nr 37005201 and after	
1	+	125344-13931	3	SCREW			
2	+	P005-001240	1	POST			
29	+	P005-002070	1	COVER ASY, ROTOR		Sr/Nr 37005201 and after	
4	+	P005-000100	1	SCREW,THROTTLEADJUST			
5	+	P005-000190	1	E-RING			
6	+	P005-001270	2	PLUG, H AJUST SCREW			
8	+	125344-52130	3	SCREW			
9	+	P005-000280	1	O-RING			
10	+	125322-07260	1	SPRING, COIL			
11	+	125323-08260	1	ARM, VALVE			
12	+	125338-13930	1	PIN, METERING ARM			
13	+	125337-08260	1	VALVE, INLET NEEDLE			
14	+	125339-42030	1	SCREW			
15	+	P005-000200	1	GASKET, METERING			
16	+	P005-001780	1	DIAPHRAGM			
17	+	125342-52130	1	COVER, DIAPHRAGM			
18	+	P005-001000	1	ROLLER, GUIDE			
19	+	P005-000010	1	STRAINER			
20	+	P005-001290	1	SCREW,MAINN MIXTURE			
21	+	P005-001250	1	RETAINER,PLUG BALL			
22	+	P005-000510	1	DIAPHRAGM, PUMP			
23	+	P005-000520	1	GASKET, PUMP			
24	+	P005-001890	1	BASE, ASY PRIMER			

16. Carburetor(Sr/Nr 37005201 and after)



KEY	LV	PART NUMBER	Q'TY	DESCRIPTION	REMARKS	NOTE1	NOTE2
25	+	P005-000270	1	SCREW			
26	+	125381-08660	1	PUMP, PRIMING			
27	+	P005-000250	1	RETAINER			
28	+	P005-001900	4	SCREW			

17. Repair Kit

KEY	LV	PART NUMBER	Q'TY	DESCRIPTION	REMARKS	NOTE1	NOTE2
		P005-001660	1	DIAPHRAGM/GASKET KIT			
915	+	P005-000200	1	GASKET, METERING			
916	+	P005-001780	1	DIAPHRAGM			
922	+	P005-000510	1	DIAPHRAGM, PUMP			
923	+	P005-000520	1	GASKET, PUMP			
		P005-001990	1	REBUILD KIT			
910	+	125322-07260	1	SPRING, COIL			
911	+	125323-08260	1	ARM, VALVE			
912	+	125338-13930	1	PIN, METERING ARM			
913	+	125337-08260	1	VALVE, INLET NEEDLE			
915	+	P005-000200	1	GASKET, METERING			
916	+	P005-001780	1	DIAPHRAGM			
918	+	P005-001000	1	ROLLER, GUIDE			
919	+	P005-000010	1	STRAINER			
922	+	P005-000510	1	DIAPHRAGM, PUMP			
923	+	P005-000520	1	GASKET, PUMP			

Index

Patrs Number	Key No.	Patrs Number	Key No.	Patrs Number	Key No.
100012-16131	1 - 19	145862-40630	4 - 19	605014-54230	11 - 24
100013-35430	1 - 17	156110-04920	2 - 2	605014-54230	9 - 24
100014-53630	1 - 18	156635-43130	1 - 27	610011-25530	10 - 29
100015-00120	3 - 25	159112-09961	10 - 13	610011-25530	11 - 29
100015-03931	1 - 16	159112-09961	11 - 13	610011-25530	7 - 9
100142-12330	1 - 42	159112-09961	9 - 13	610011-25530	8 - 9
100212-42031	1 - 22	159116-21231	1 - 28	610011-25530	9 - 29
100215-03930	1 - 23	162010-04561	2 - 1	610206-23030	10 - 28
100242-42030	1 - 25	175046-56030	2 - 13	610206-23030	11 - 28
125322-07260	15 - 10	175048-05530	2 - 16	610206-23030	7 - 31
125322-07260	16 - 10	175049-56030	2 - 14	610206-23030	8 - 31
125322-07260	17 - 910	177202-40630	2 - 18	610206-23030	9 - 28
125323-08260	15 - 11	177215-40630	2 - 24	610272-52130	7 - 29
125323-08260	16 - 11	177218-42030	2 - 21	610272-52130	8 - 29
125323-08260	17 - 911	177220-40630	2 - 25	610281-54130	7 - 5
125337-08260	15 - 13	177226-61830	2 - 26	610281-54130	8 - 5
125337-08260	16 - 13	177227-42030	2 - 28	610300-25531	12 - 13
125337-08260	17 - 913	177228-27030	2 - 27	610300-25531	13 - 13
125338-13930	15 - 12	177234-42030	2 - 20	610310-56830	12 - 12
125338-13930	16 - 12	177236-44330	2 - 23	610310-56830	13 - 12
125338-13930	17 - 912	178013-52630	7 - 27	610313-52132	12 - 8
125339-42030	15 - 14	178013-52630	8 - 27	610313-52132	13 - 8
125339-42030	16 - 14	178043-42230	7 - 24	610313-52932	12 - 6
125342-52130	15 - 17	178043-42230	8 - 24	610313-52932	13 - 6
125342-52130	16 - 17	178090-52632	7 - 26	610314-52130	12 - 4
125344-13931	15 - 1	178090-52632	8 - 26	610314-52130	13 - 4
125344-13931	16 - 1	224924-52130	10 - 14	610320-52130	12 - 2
125344-52130	15 - 8	224924-52130	11 - 14	610320-52130	13 - 2
125344-52130	16 - 8	224924-52130	9 - 14	610352-56830	12 - 7
125381-08660	15 - 26	301000-55230	7 - 32	610352-56830	13 - 7
125381-08660	16 - 26	301000-55230	8 - 32	610434-50031	12 - 17
129011-52730	3 - 7	301015-05330	10 - 17	610434-50031	13 - 17
129011-52730	4 - 7	301015-05330	11 - 17	610444-56830	12 - 10
130310-54130	3 - 9	301015-05330	9 - 17	610444-56830	13 - 10
130310-54130	4 - 9	301200-29430	7 - 14	610473-52131	12 - 15
131016-55830	5 - 2	301200-29430	8 - 14	610473-52131	13 - 15
131016-55830	6 - 2	301205-21330	10 - 16	610922-55931	1 - 37
131205-19830	5 - 10	301205-21330	11 - 16	699012-03330	7 - 13
131205-19830	6 - 10	301205-21330	9 - 16	699012-03330	8 - 13
132001-15030	5 - 12	301207-08930	7 - 11	699013-56830	14 - 9
132010-40830	5 - 13	301207-08930	8 - 11	699229-56830	12 - 3
132010-40830	6 - 13	301305-24330	7 - 33	699229-56830	13 - 3
132013-09820	5 - 9	301305-24330	8 - 33	890152-04930	10 - 32
132013-09820	6 - 9	305118-03360	2 - 7	890152-04930	11 - 32
132013-26630	5 - 6	351201-54130	7 - 2	890152-04930	7 - 8
132013-26630	6 - 6	351201-54130	8 - 2	890152-04930	8 - 8
132115-55930	5 - 8	351314-52130	9 - 22	890152-04930	9 - 32
132115-55930	6 - 8	351421-52130	9 - 25	890332-52730	3 - 11
145862-40630	3 - 19	605014-54230	10 - 24	890332-52730	4 - 11

Index

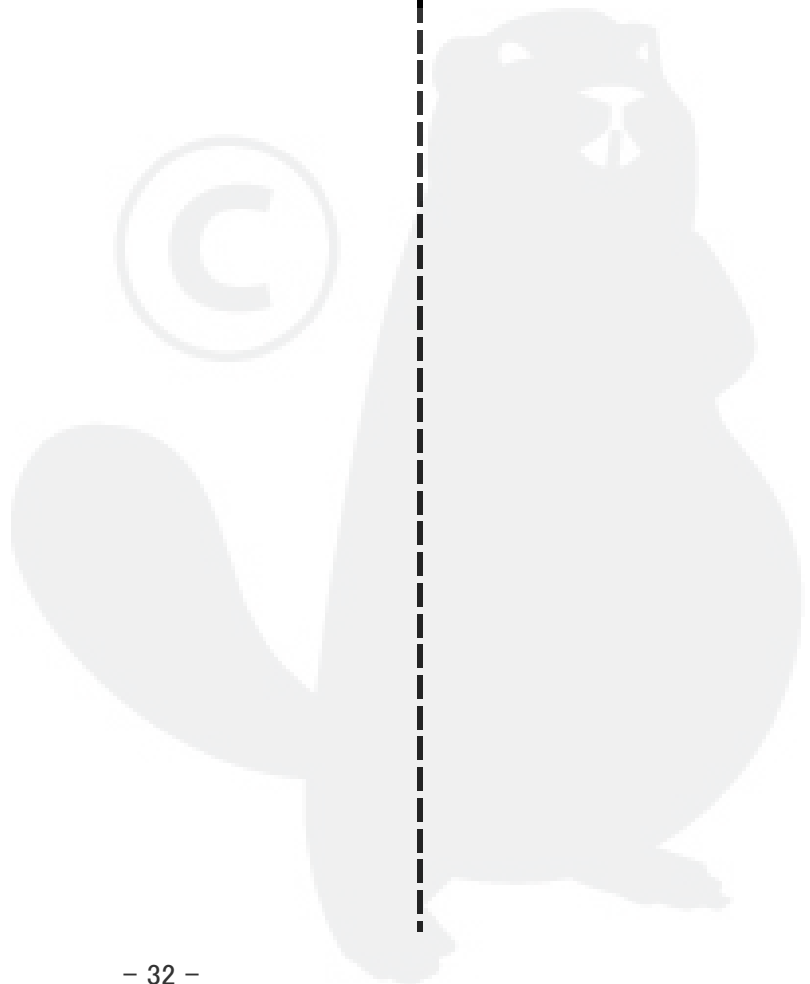
Patrs Number	Key No.	Patrs Number	Key No.	Patrs Number	Key No.
890617-43130	10 - 27	900701-00012	1 - 34	91121-05016	1 - 8
890617-43130	11 - 27	900702-00022	12 - 22	91121-05016	3 - 14
890617-43130	7 - 1	900702-00022	13 - 22	91121-05016	4 - 14
890617-43130	8 - 1	900702-00028	1 - 32	91141-05012	1 - 6
890617-43130	9 - 27	900702-00032	12 - 9	91367-04010	3 - 16
895610-00130	14 - 11	900702-00032	13 - 9	91367-04010	4 - 16
897518-01131	14 - 13	900702-00042	1 - 39	92280-05000	3 - 21
898510-07130	14 - 15	900706-00010	12 - 23	92280-05000	4 - 21
900106-05008	1 - 9	900706-00010	13 - 23	94035-36201	1 - 24
900162-05025	1 - 12	900720-00012	12 - 5	A011-000434	1 - 20
900162-05025	3 - 3	900720-00012	13 - 5	A021-001530	15 -
900162-05025	4 - 3	900807-06001	1 - 33	A021-001530	3 - 5
900162-05028	1 - 26	900810-00626	12 - 14	A021-001740	16 -
900242-05010	12 - 18	900810-00626	13 - 14	A021-001740	4 - 27
900242-05010	13 - 18	900812-06201	12 - 11	A051-001190	2 - 22
900242-05065	3 - 8	900812-06201	13 - 11	A101-000170	1 - 15
900242-05065	4 - 8	900855-06900	12 - 20	A127-000160	1 - 41
900252-05012	14 - 4	900855-06900	13 - 20	A130-000761	1 - 11
900253-04025	7 - 6	900858-06900	12 - 21	A160-000691	1 - 10
900253-04025	8 - 6	900858-06900	13 - 21	A160-000780	1 - 4
900256-04016	10 - 2	91118-05014	7 - 15	A162-000080	1 - 7
900256-04016	11 - 2	91118-05014	8 - 15	A162-000100	1 - 2
900256-04016	9 - 2	91118-05016	1 - 29	A175-000030	2 - 32
900256-05016	1 - 1	91118-05018	14 - 7	A200-000200	3 - 2
900500-00005	10 - 4	91118-05018	7 - 12	A200-000200	4 - 2
900500-00005	11 - 4	91118-05018	8 - 12	A232-000330	3 - 10
900500-00005	3 - 20	91118-05020	9 - 23	A232-000330	4 - 10
900500-00005	4 - 20	91118-05025	14 - 10	A313-000830	3 - 17
900500-00005	7 - 4	91118-05025	2 - 34	A313-000830	4 - 17
900500-00005	7 - 19	91118-05025	7 - 18	A320-000340	3 - 13
900500-00005	7 - 19	91118-05025	8 - 18	A320-000340	4 - 13
900500-00005	8 - 4	91118-05028	1 - 38	A350-000440	5 - 4
900500-00005	8 - 19	91118-05028	7 - 30	A350-000440	6 - 4
900500-00005	8 - 19	91118-05028	8 - 30	A356-000030	5 - 5
900500-00005	9 - 4	91118-05030	10 - 21	A356-000030	6 - 5
900502-00006	11 - 37	91118-05030	11 - 21	A365-000060	5 - 3
900502-00006	8 - 35	91118-05030	9 - 21	A365-000060	6 - 3
900515-00008	2 - 11	91118-05035	7 - 3	A409-000310	2 - 12
900518-00006	11 - 38	91118-05035	7 - 17	A411-000250	2 - 6
900518-00006	8 - 36	91118-05035	8 - 3	A425-000000	2 - 10
900565-00005	14 - 6	91118-05035	8 - 17	A426-000010	2 - 9
900565-50008	10 - 20	91118-06025	12 - 19	A427-000012	2 - 8
900565-50008	11 - 20	91118-06025	13 - 19	A440-000890	7 - 25
900565-50008	9 - 20	91119-05030	10 - 3	A440-001030	10 - 9
900603-00004	2 - 35	91119-05030	11 - 3	A440-001030	11 - 9
900603-00005	2 - 33	91119-05030	9 - 3	A440-001030	9 - 9
900603-50008	12 - 16	91121-05012	10 - 18	A440-001130	8 - 25
900603-50008	13 - 16	91121-05012	11 - 18	A553-000010	2 - 15
900700-00004	2 - 19	91121-05012	9 - 18	A556-000040	1 - 31

Index

Patrs Number	Key No.	Patrs Number	Key No.	Patrs Number	Key No.
C062-000192	10 - 31	P005-000280	16 - 9	P021-012820	10 - 33
C062-000192	11 - 31	P005-000510	15 - 22	P021-012820	11 - 33
C062-000192	9 - 31	P005-000510	16 - 22	P021-013530	1 - 30
C400-000211	10 - 30	P005-000510	17 - 922	P021-013580	10 - 15
C400-000211	11 - 30	P005-000510	17 - 922	P021-013580	11 - 15
C400-000211	9 - 30	P005-000520	15 - 23	P021-013580	9 - 15
C403-000031	10 - 26	P005-000520	16 - 23	P021-014090	10 - 1
C403-000031	11 - 26	P005-000520	17 - 923	P021-014090	11 - 1
C403-000031	9 - 26	P005-000520	17 - 923	P021-014090	9 - 1
C403-000140	7 - 28	P005-001000	15 - 18	P022-000710	12 - 38
C403-000140	8 - 28	P005-001000	16 - 18	P022-001220	12 - 33
C423-000041	10 - 35	P005-001000	17 - 918	P022-001250	12 - 34
C423-000041	11 - 35	P005-001240	15 - 2	P022-001260	12 - 36
C450-000110	7 - 23	P005-001240	16 - 2	P022-003310	12 - 32
C450-000110	8 - 23	P005-001250	15 - 21	P022-003330	12 - 37
C450-000270	10 - 7	P005-001250	16 - 21	P022-006190	12 - 35
C450-000270	11 - 7	P005-001270	15 - 6	P022-022010	2 - 29
C450-000270	9 - 7	P005-001270	16 - 6	P022-022050	12 - 31
C460-000110	9 - 5	P005-001290	15 - 20	V100-000210	1 - 13
C460-000111	10 - 5	P005-001290	16 - 20	V103-000210	3 - 1
C460-000111	11 - 5	P005-001660	17 -	V103-000210	4 - 1
C461-000000	7 - 22	P005-001780	15 - 16	V103-000270	3 - 4
C461-000000	8 - 22	P005-001780	16 - 16	V103-000270	4 - 4
C461-000010	7 - 20	P005-001780	17 - 916	V104-000780	3 - 23
C461-000010	8 - 20	P005-001780	17 - 916	V104-000780	4 - 23
C463-000020	10 - 10	P005-001890	15 - 24	V104-000790	3 - 18
C463-000020	11 - 10	P005-001890	16 - 24	V104-000790	4 - 18
C463-000020	9 - 10	P005-001900	15 - 28	V135-000030	2 - 3
C486-000000	3 - 26	P005-001900	16 - 28	V150-001760	3 - 22
C550-000080	14 - 2	P005-001980	15 - 3	V150-001760	4 - 22
C550-000090	14 - 8	P005-001990	17 -	V202-000090	1 - 35
C550-000100	14 - 5	P005-002010	15 - 7	V202-000090	2 - 30
C554-000030	14 - 3	P005-002070	16 - 29	V202-000130	2 - 4
P005-000010	15 - 19	P021-002620	14 - 1	V203-000120	3 - 24
P005-000010	16 - 19	P021-002861	14 - 14	V203-000120	4 - 24
P005-000010	17 - 919	P021-004480	3 - 6	V299-000110	10 - 34
P005-000100	15 - 4	P021-004480	4 - 6	V299-000110	11 - 34
P005-000100	16 - 4	P021-005850	7 - 16	V299-000250	3 - 12
P005-000190	15 - 5	P021-005850	8 - 16	V299-000250	4 - 12
P005-000190	16 - 5	P021-007470	13 - 25	V322-000031	2 - 36
P005-000200	15 - 15	P021-009771	1 - 14	V430-001880	7 - 7
P005-000200	16 - 15	P021-010801	1 - 21	V430-001970	10 - 11
P005-000200	17 - 915	P021-011580	3 - 15	V430-001970	9 - 11
P005-000200	17 - 915	P021-011580	4 - 15	V430-002290	8 - 34
P005-000250	15 - 27	P021-012210	5 - 1	V430-002310	11 - 36
P005-000250	16 - 27	P021-012210	6 - 1	V451-000400	2 - 17
P005-000270	15 - 25	P021-012600	12 - 1	V452-000120	7 - 21
P005-000270	16 - 25	P021-012600	13 - 1	V452-000120	8 - 21
P005-000280	15 - 9	P021-012790	9 - 19	V452-000350	10 - 6

Index

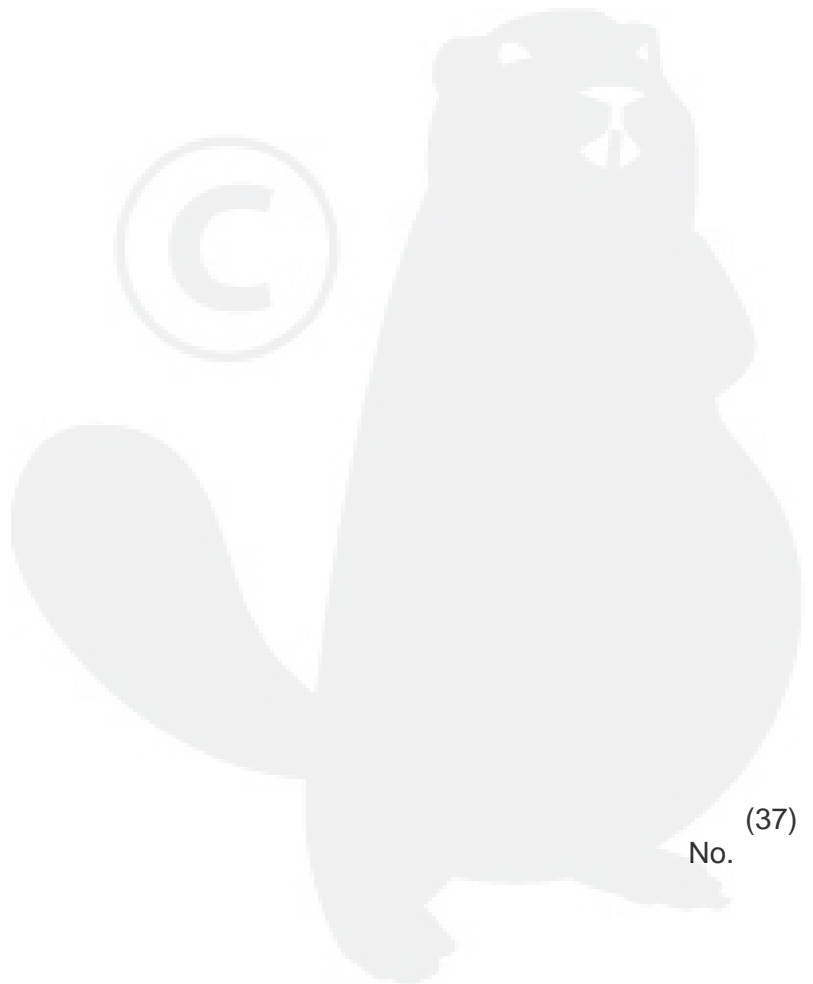
Patrs Number	Key No.	Patrs Number	Key No.	Patrs Number	Key No.
V452-000350	11 - 6				
V452-000350	9 - 6				
V452-000360	10 - 8				
V452-000360	11 - 8				
V452-000360	9 - 8				
V470-000580	5 - 11				
V470-000580	6 - 11				
V471-001180	5 - 7				
V471-001180	6 - 7				
V475-003380	2 - 5				
V491-000180	1 - 36				
V505-000050	1 - 40				
X047-000270	12 - 30				
X405-000011	13 - 24				
X502-000330	2 - 31				
X505-002310	1 - 3				
X547-000350	1 - 5				
X602-000020	14 - 12				



YAMABIKO CORPORATION

7-2 SUEHIROCHO 1-CHOME, OHME, TOKYO 198-8760, JAPAN
PHONE: 81-428-32-6118. FAX: 81-428-32-6145.

ECHO[®]



(37)
No.