



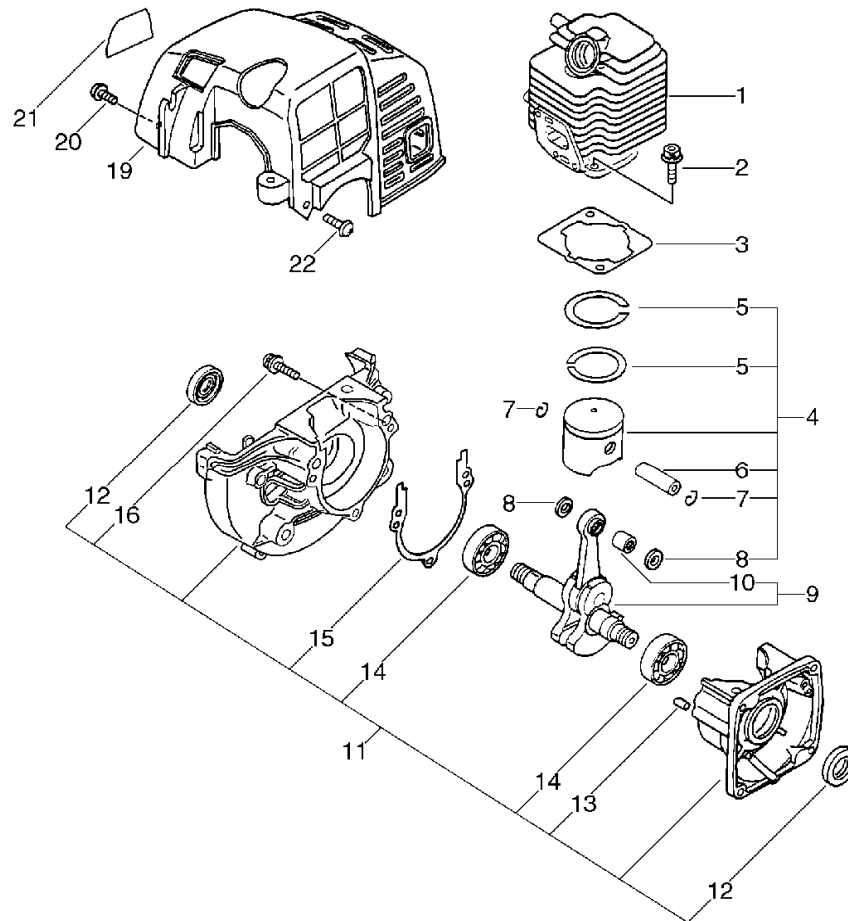
# **PARTS CATALOG**

## **GRASS-TRIMMER / BRUSHCUTTER**

**SRM-250(35)(36)**

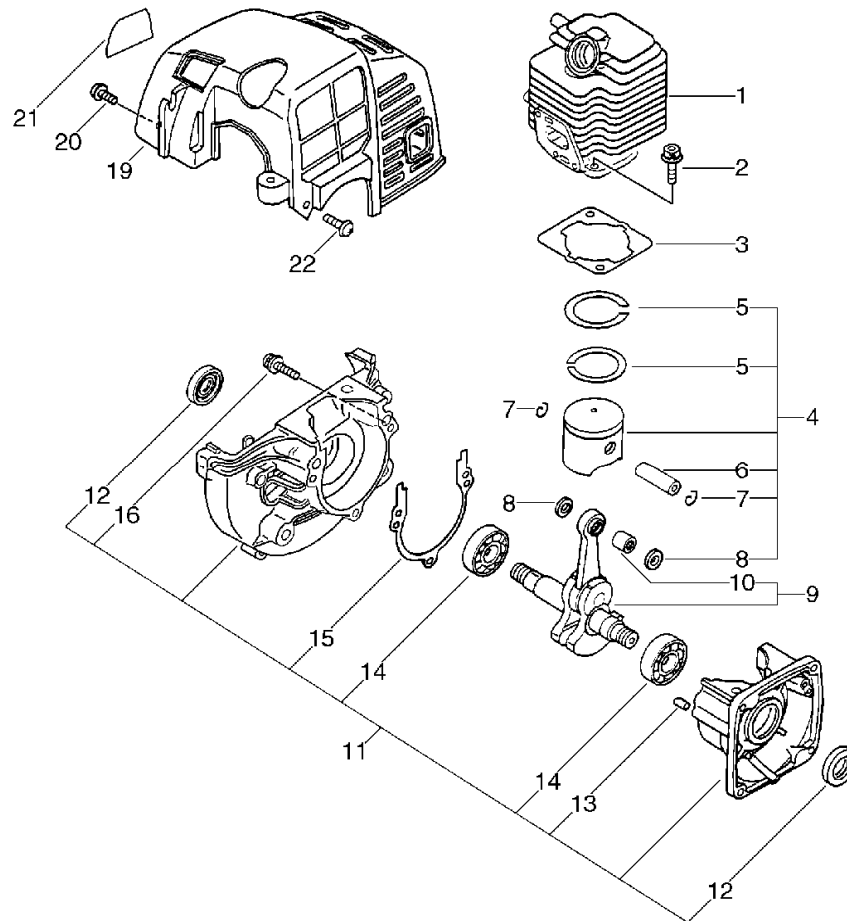
SRM-250(35)(36)

## 1. Cylinder, Crankcase, Piston(Sr/Nr 36011310 and before)



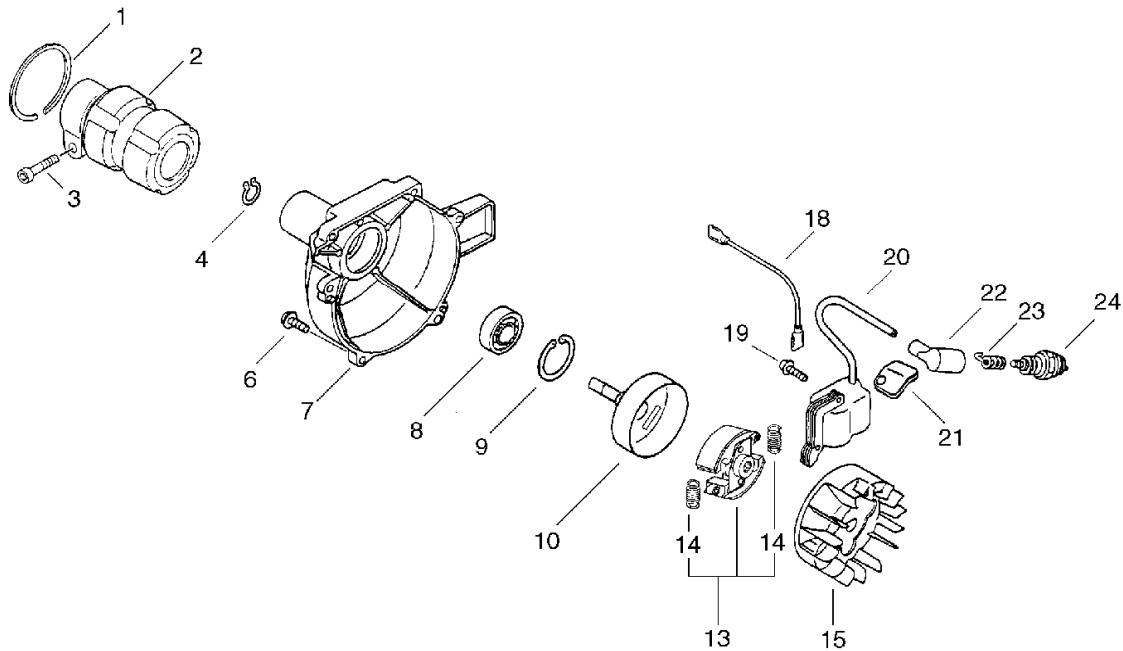
KEY	LV	PART NUMBER	Q'TY	DESCRIPTION	REMARKS	NOTE1	NOTE2
1		101011-08961	1	CYLINDER (CR)			
2		900162-05022	2	BOLT, H.S. 5*22	5*22 W,SW		
3		101010-44332	1	GASKET, CYL. BASE			
4		100000-09563	1	PISTON KIT			
5	+	100011-09560	2	RING, PISTON			
6	+	100013-11520	1	PIN, PISTON			
7	+	100015-04630	2	CIRCLIP, PISTON PIN			
8	+	100014-11520	2	SPACER, PISTON PIN			
9		A011-000101	1	CRANKSHAFT,ASM			
10	+	V553-000010	1	BEARING,NEEDLE 8	HK0810		
11		100204-52131	1	CRANKCASE KIT			
12	+	100212-42031	2	OILSEAL	ISCD 12*22*4.5		
13	+	100215-03930	2	PIN, DOWEL			
14	+	94035-36201	2	BEARING BALL	6201X3JR2C3		
15	+	100242-42030	1	GASKET, CRANKCASE			
16	+	900162-05028	3	BOLT, H.S. 5*28	5*28 W,SW		
19		101514-42031	1	COVER, CYLINDER			
20		900238-04012	2	SCREW 4*12	4*12		
21		X543-000370	1	LABEL,MODEL	SRM-250	Sus. by X547-001190	
22		900238-04016	2	SCREW 4*16	4*16		

## 2. Cylinder, Crankcase, Piston(Sr/Nr 36011311 and after)



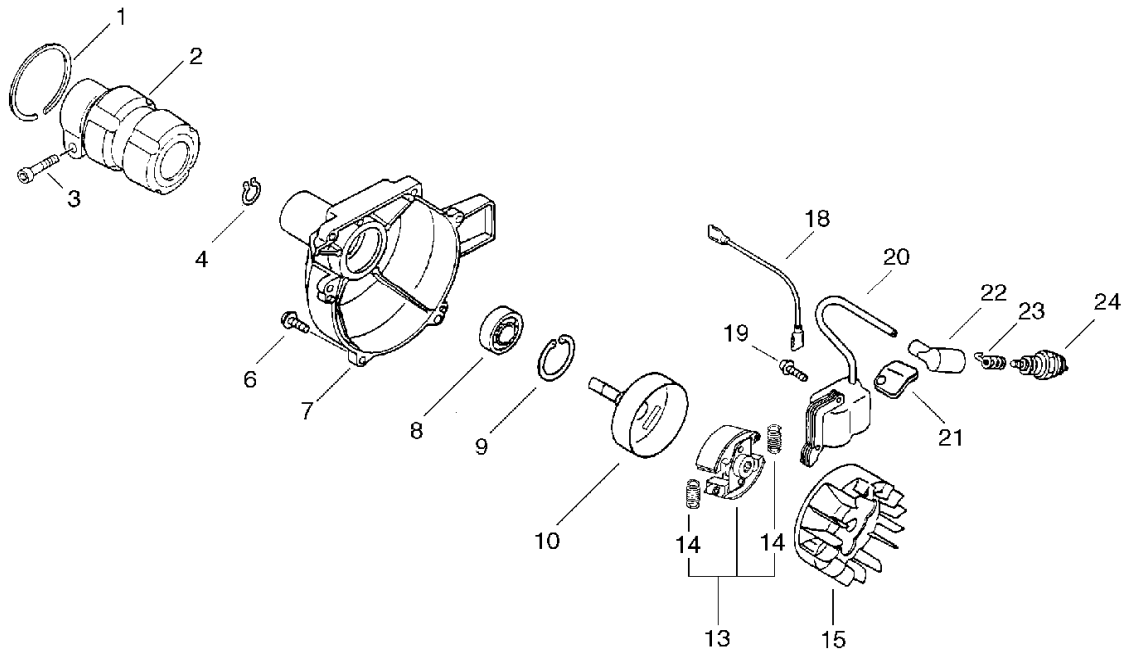
KEY	LV	PART NUMBER	Q'TY	DESCRIPTION	REMARKS	NOTE1	NOTE2
1		101011-08961	1	CYLINDER (CR)			
2		900162-05022	2	BOLT, H.S. 5*22	5*22 W,SW		
3		101010-44332	1	GASKET, CYL. BASE			
4		100000-09563	1	PISTON KIT			
5	+	100011-09560	2	RING, PISTON			
6	+	100013-11520	1	PIN, PISTON			
7	+	100015-04630	2	CIRCLIP, PISTON PIN			
8	+	100014-11520	2	SPACER, PISTON PIN			
9		A011-000101	1	CRANKSHAFT,ASM			
10	+	V553-000010	1	BEARING,NEEDLE 8	HK0810		
11		100204-52131	1	CRANKCASE KIT			
12	+	100212-42031	2	OILSEAL	ISCD 12*22*4.5		
13	+	100215-03930	2	PIN, DOWEL			
14	+	94035-36201	2	BEARING BALL	6201X3JR2C3		
15	+	100242-42030	1	GASKET, CRANKCASE			
16	+	900162-05028	3	BOLT, H.S. 5*28	5*28 W,SW		
19		101514-42031	1	COVER, CYLINDER			
20		900238-04012	2	SCREW 4*12	4*12		
21		X543-000370	1	LABEL,MODEL	SRM-250	Sus. by X547-001190	
22		900238-04016	2	SCREW 4*16	4*16		

## 3. Magneto, Clutch, Fan Cover(Sr/Nr 36011310 and before)



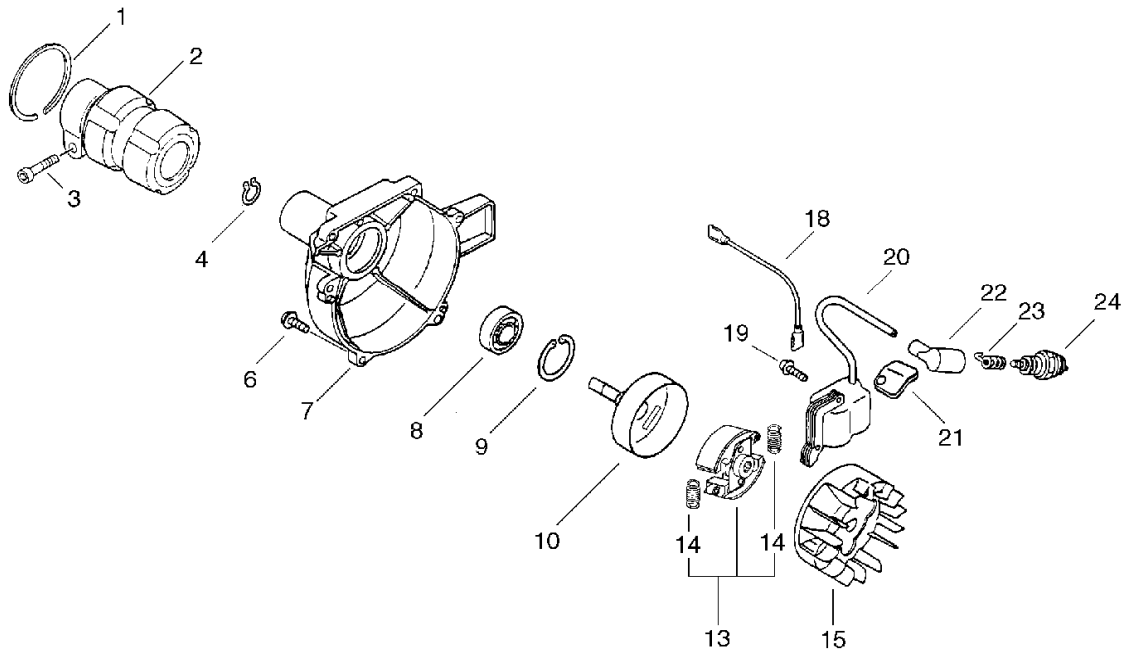
KEY	LV	PART NUMBER	Q'TY	DESCRIPTION	REMARKS	NOTE1	NOTE2
1		900702-00042	1	CIRCLIP 42	CR-42		
2		610922-55931	1	HOLDER, MAIN PIPE		Sus. by A575-000110	
2		A575-000110	1	FIXTURE,MAIN PIPE			
3		900162-05028	1	BOLT, H.S. 5*28	5*28 W,SW	Sus. by 91118-05028	
4		900701-00012	1	CIRCLIP 12	CS-12		
6		900238-04016	4	SCREW 4*16	4*16		
7		A172-000400	1	COVER,FAN			
8		900814-06201	1	BEARING, BALL 6201	6201ZZ		
9		900702-00032	1	CIRCLIP 32	CR-32		
10		A556-000260	1	DRUM,CLUTCH			
13		175000-52733	1	CLUTCH ASY		Sus. by 175000-52734	
14	+	175018-52131	2	SPRING, CLUTCH			
15		A409-000000	1	ROTOR,MAGNETO			
18		162010-52830	1	LEAD, GROUND		Sus. by V485-000580	
18		V485-000580	1	LEAD	L=165		
19		900162-04022	2	BOLT, H.S. 4*22	4*22 W,SW		
20		156601-52130	1	COIL, IGNITION			
21		150112-42030	1	BUSHING			
22		159012-03433	1	CAP, SPARK PLUG			
23		159011-03432	1	COIL, SPARK PLUG			
24		159017-10230	1	PLUG, SPARK (RCJ-7Y)	RCJ-7Y	Sus. by 159010-10230	

**3. Magneto, Clutch, Fan Cover(Sr/Nr 36011310 and before)**



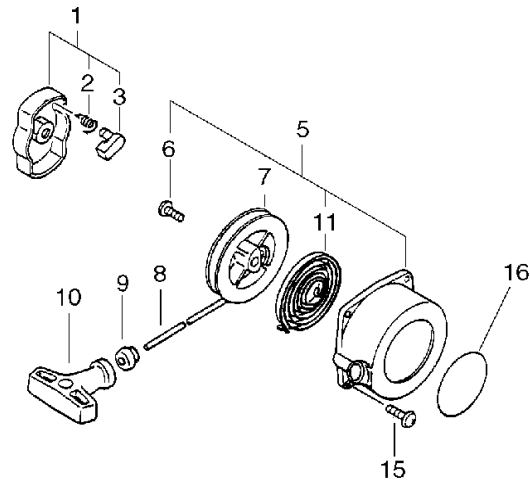
KEY	LV	PART NUMBER	Q'TY	DESCRIPTION	REMARKS	NOTE1	NOTE2
24		159010-10230	1	PLUG, SPARK (BPMR-7A	BPMR-7A		

## 4. Magneto, Clutch, Fan Cover(Sr/Nr 36011311 and after)



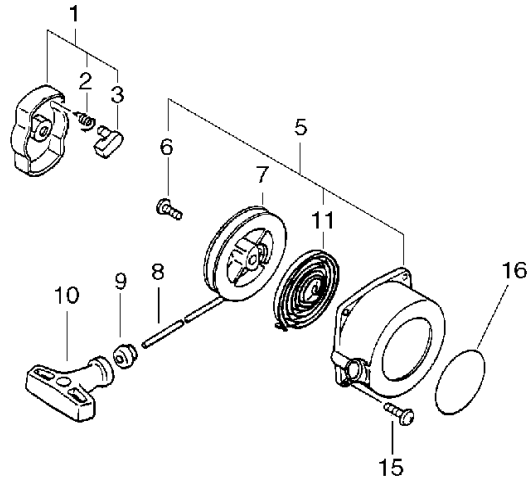
KEY	LV	PART NUMBER	Q'TY	DESCRIPTION	REMARKS	NOTE1	NOTE2
1		900702-00042	1	CIRCLIP 42	CR-42		
2		A575-000110	1	FIXTURE,MAIN PIPE			
3		91118-05028	1	BOLT	CM-5*28		
4		900701-00012	1	CIRCLIP 12	CS-12		
6		900238-04016	4	SCREW 4*16	4*16		
7		A172-000400	1	COVER,FAN			
8		900814-06201	1	BEARING, BALL 6201	6201ZZ		
9		900702-00032	1	CIRCLIP 32	CR-32		
10		A556-000260	1	DRUM,CLUTCH			
13		175000-52733	1	CLUTCH ASY		Sus. by 175000-52734	
13		175000-52734	1	CLUTCH ASY			
14	+	175018-52131	2	SPRING, CLUTCH			
15		A409-000000	1	ROTOR,MAGNETO			
18		V485-000580	1	LEAD	L=165		
19		900162-04022	2	BOLT, H.S. 4*22	4*22 W,SW		
20		156601-52130	1	COIL, IGNITION			
21		150112-42030	1	BUSHING			
22		159012-03433	1	CAP, SPARK PLUG			
23		159011-03432	1	COIL, SPARK PLUG			
24		159010-10230	1	PLUG, SPARK (BPMR-7A)	BPMR-7A		

## 5. Starter(Sr/Nr 36011310 and before)



KEY	LV	PART NUMBER	Q'TY	DESCRIPTION	REMARKS	NOTE1	NOTE2
1		177202-44331	1	PAWL ASM., STARTER			
2	+	177234-12220	1	SPRING, PAWL			
3	+	177218-44330	1	PAWL, STARTER	BLACK		
5		177200-42033	1	STARTER ASSY			
6	+	177236-44330	1	SCREW			
7	+	177215-44430	1	DRUM, STARTER			
8	+	177226-10120	1	ROPE, STARTER	3.0*1000		
9	+	177227-42030	1	GUIDE, ROPE			
10	+	177228-06530	1	GRIP, STARTER			
11	+	177220-42030	1	SPRING, REWIND			
15		900238-04016	2	SCREW 4*16	4*16		
16		890118-49130	1	LABEL, ECHO		Sus. by X502-000330	

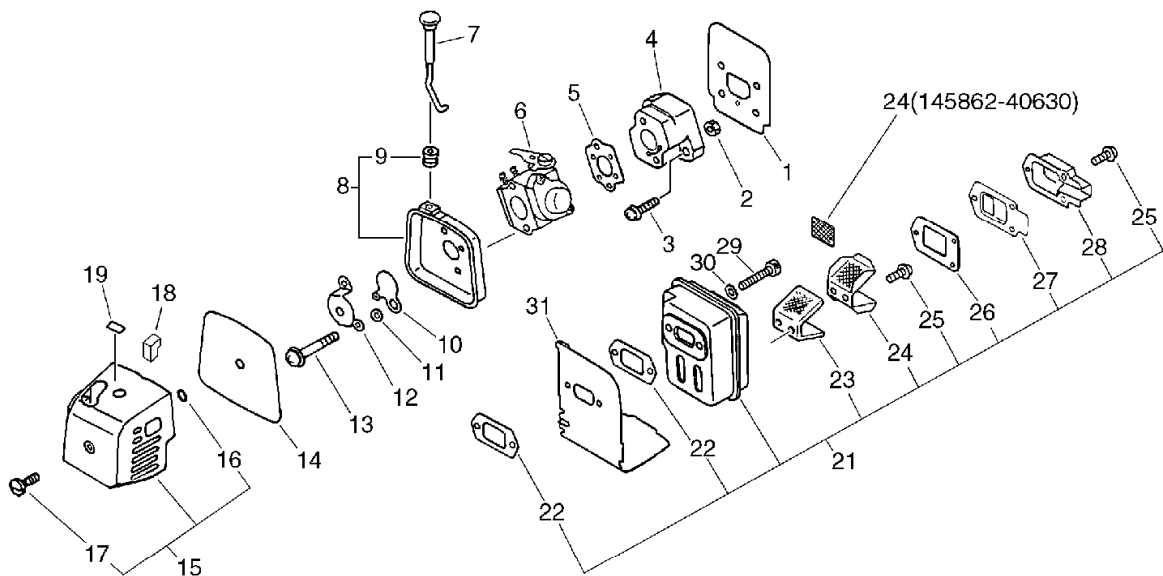
## 6. Starter(Sr/Nr 36011311 and after)



KEY	LV	PART NUMBER	Q'TY	DESCRIPTION	REMARKS	NOTE1	NOTE2
1		177202-44331	1	PAWL ASM., STARTER			
2	+	177234-12220	1	SPRING, PAWL			
3	+	177218-44330	1	PAWL, STARTER	BLACK		
5		177200-42033	1	STARTER ASSY			
6	+	177236-44330	1	SCREW			
7	+	177215-44430	1	DRUM, STARTER			
8	+	177226-10120	1	ROPE, STARTER	3.0*1000		
9	+	177227-42030	1	GUIDE, ROPE			
10	+	177228-06530	1	GRIP, STARTER			
11	+	177220-42030	1	SPRING, REWIND			
15		900238-04016	2	SCREW 4*16	4*16		
16		890118-49130	1	LABEL, ECHO		Sus. by X502-000330	

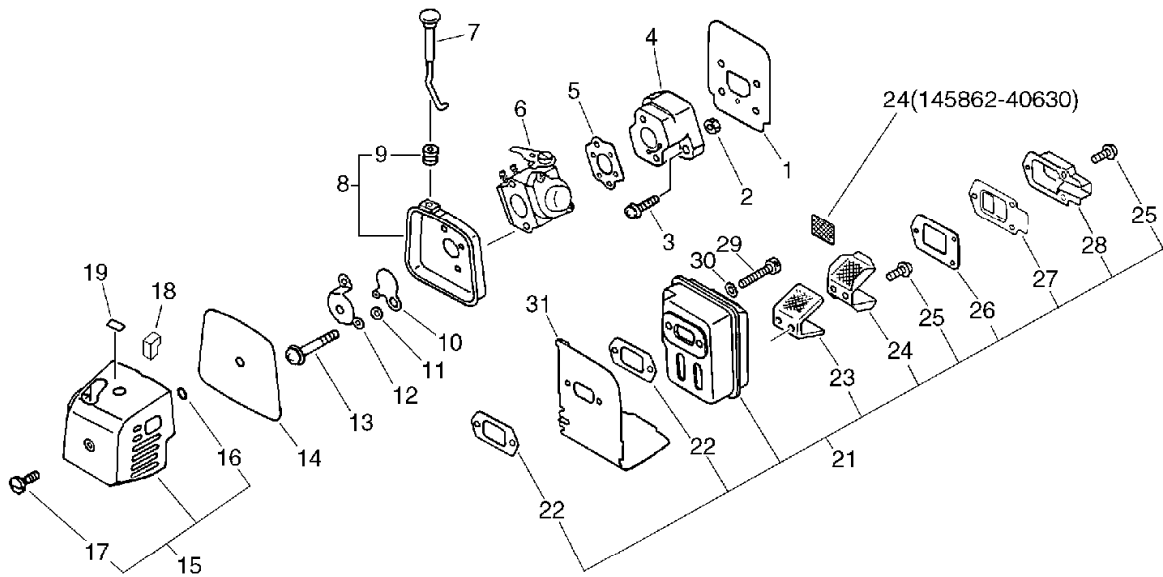


## 7. Air Cleaner, Muffler



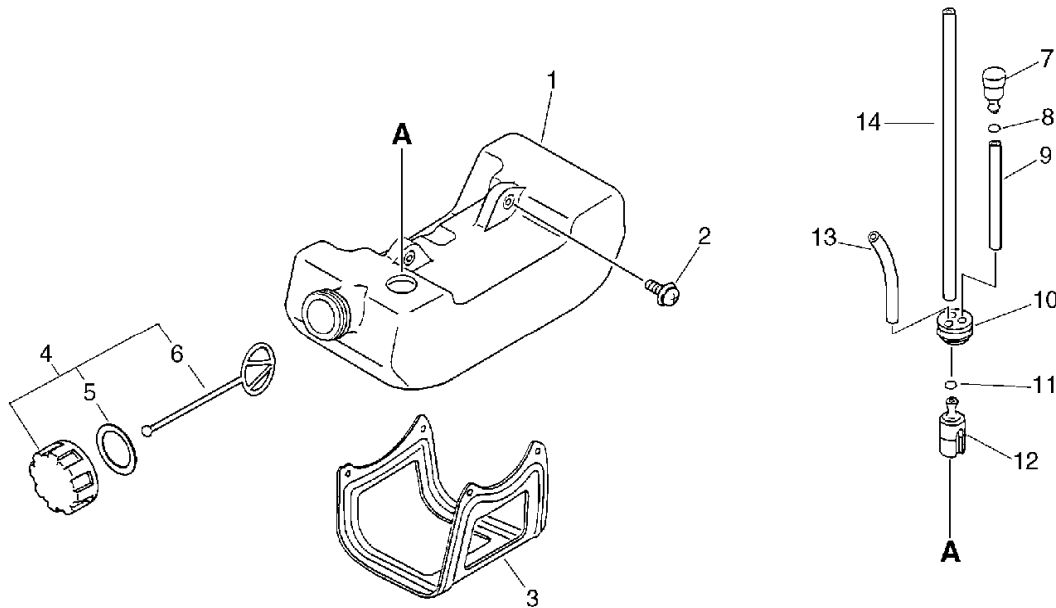
KEY	LV	PART NUMBER	Q'TY	DESCRIPTION	REMARKS	NOTE1	NOTE2
1		130010-42032	1	GASKET,INTAKE			
2		900500-00005	2	NUT 5	5		
3		900238-05020	2	SCREW 5*20	5*20		
4		130017-42031	1	INSULATOR, INTAKE			
5		130016-42031	1	GASKET, INTAKE			
6		125200-52432	1	CARBURETOR	C1U-K53A	Sus. by 125200-52433	
6		125200-52433	1	CARBURETOR	C1U-K53B		
7		178510-48830	1	ROD, CHOKE			
8		130301-04560	1	CASE, AIR CLEANER			
9	+	178810-05230	1	GROMMET			
10		178515-04560	1	SHUTTER, CHOKE			
11		178516-00830	1	SPACER	5.2*8*0.8T		
12		130410-44730	1	BRACKET, AIR CLEANER			
13		900242-05057	2	SCREW 5*57	5*57		
14		130310-04560	1	FILTER, AIR			
15		130302-50630	1	COVER ASSY, AIR CLN.			
16	+	900720-00004	1	O-RING (P-4)	P-4		
17	+	130415-40630	1	SCREW			
18		130336-52130	2	PLUG			
19		890121-47530	1	LABEL, CHOKE			
21		145803-52131	1	MUFFLER ASY		Sus. by P021-008360	
21		P021-008360	1	MUFFLER ASY			
22	+	V104-000160	2	GASKET,EXHAUST			

## 7. Air Cleaner, Muffler



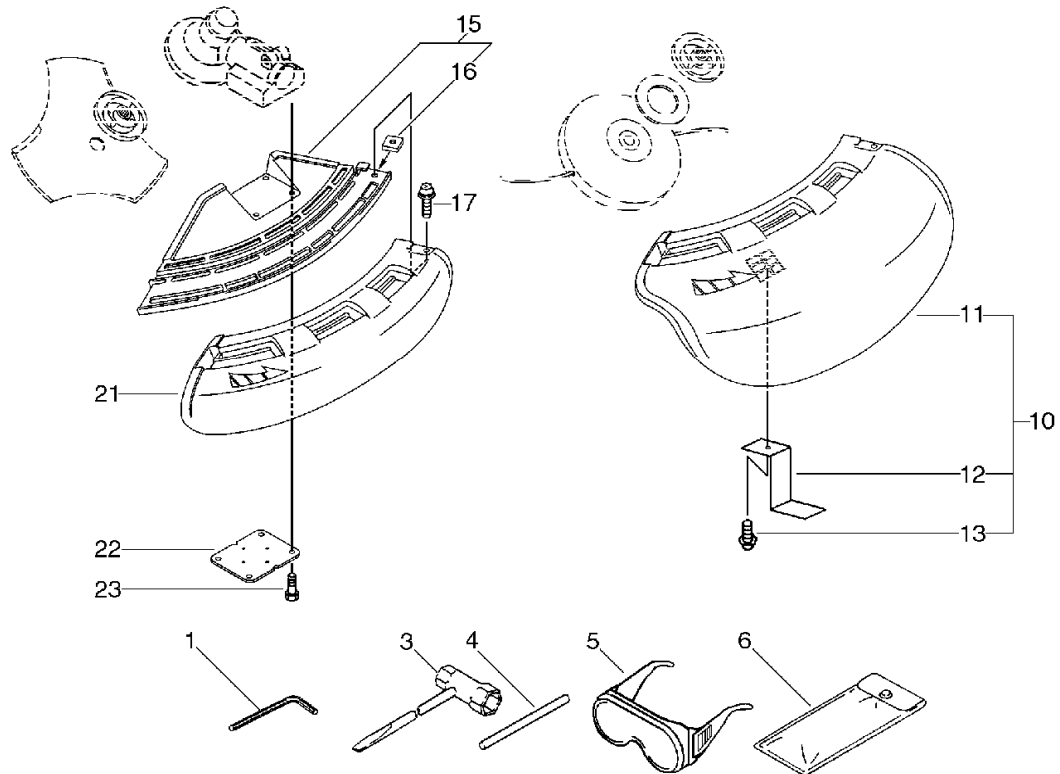
KEY	LV	PART NUMBER	Q'TY	DESCRIPTION	REMARKS	NOTE1	NOTE2
23	+	145820-52130	1	CATALYST		Sr/Nr 35007042 and before	
24	+	145862-52130	1	SCREEN, MUFFLER		Sus. by 145862- 40630	
24	+	145862-40630	1	SCREEN, MUFFLER			
25	+	900238-04010	5	SCREW 4*10	4*10	Can be used on 145803-52131	
25	+	900238-04010	3	SCREW 4*10	4*10	Can be used on P021-008360	
26	+	145866-42031	1	GASKET, MUFFLER LID			
27	+	145876-42030	1	LID, MUFFLER (B)			
28	+	145863-42030	1	HOLDER, SCREEN			
29		900105-05055	2	BOLT, H.S. 5*55	5*55		
30		900600-00005	2	WASHER 5	5		
31		145631-42030	1	COVER, MUFFLER		Sus. by A320- 000251	
31		A320-000250	1	COVER, MUFFLER		Sus. by A320- 000251	
31		A320-000251	1	COVER, MUFFLER			

## 8. Fuel Tank



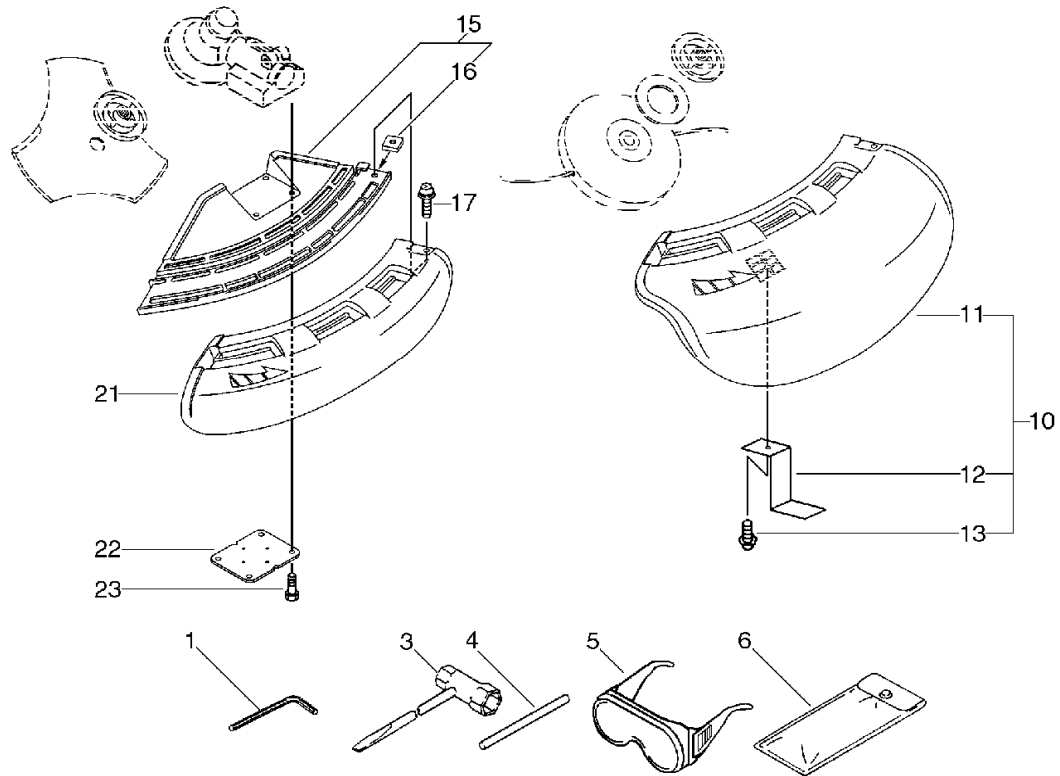
KEY	LV	PART NUMBER	Q'TY	DESCRIPTION	REMARKS	NOTE1	NOTE2
1		131005-44332	1	TANK, FUEL			
2		900243-05016	2	SCREW 5*16	5*16		
3		305110-42030	1	STAND (BL)			
4		131004-55530	1	CAP ASSY, FUEL TANK			
5	+	131016-55830	1	GASKET, FUEL CAP			
6	+	131051-56030	1	CLIP, FUEL CAP	100L		
7		131300-56430	1	VALVE, CHECK			
8		130111-00530	1	CLIP	5.5		
9		131312-44330	1	PIPE, 3*5*70L	3*5*70L NBR	Sus. by V471-001200	
9		V471-001200	1	PIPE	3*5*70 NBR		
10		132115-46730	1	GROMMET, FUEL			
11		132013-09820	1	CLIP	6MM		
12		131205-07320	1	STRAINER, FUEL			
13		132010-56330	1	PIPE 3*6*90	3*6*90 YL		
14		132010-13930	1	PIPE, FUEL	3*5*180L NBR	Sus. by V471-001190	
14		V471-001190	1	PIPE	3*5*180 NBR		

## 9. Shield, Tools(Sr/Nr 36011310 and before)



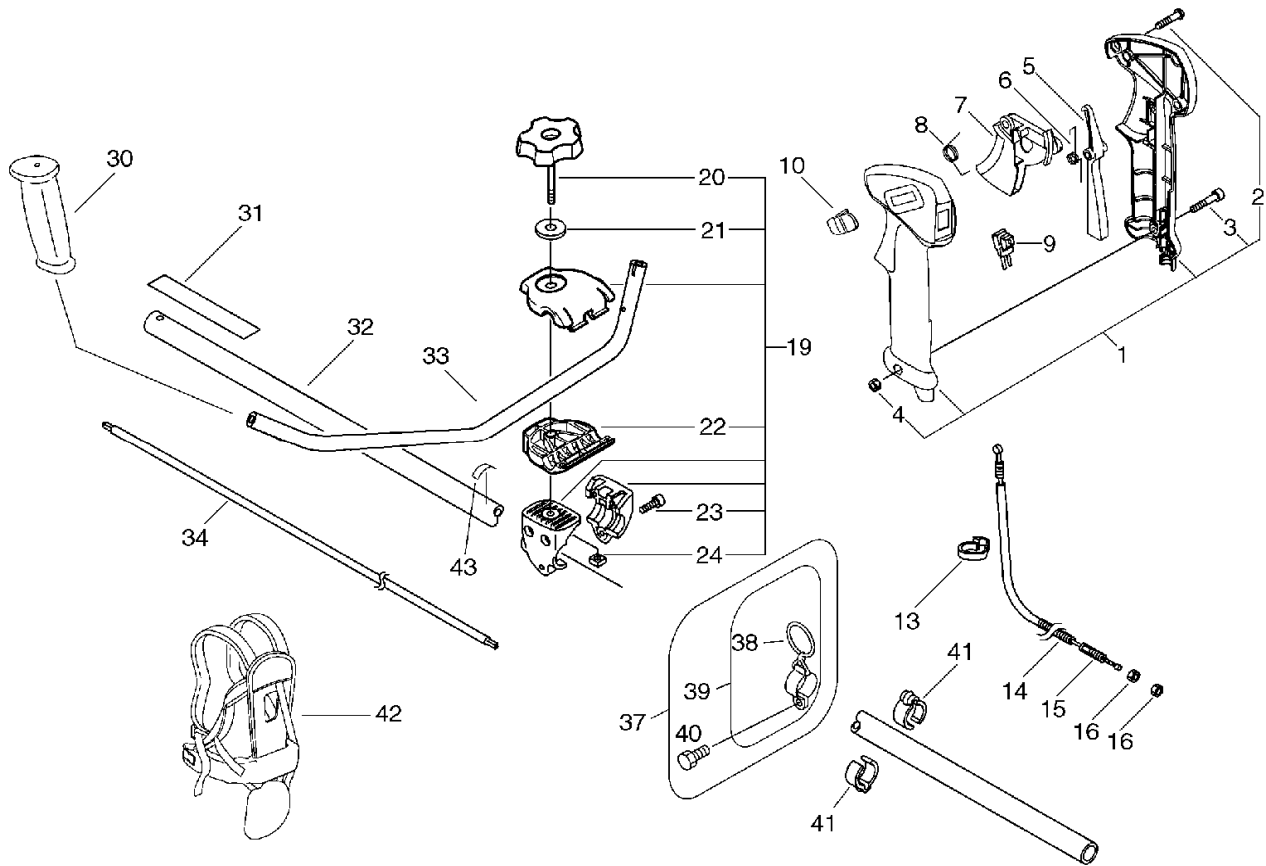
KEY	LV	PART NUMBER	Q'TY	DESCRIPTION	REMARKS	NOTE1	NOTE2
1		895610-00130	1	L-WRENCH (4MM)			
3		X602-000020	1	TOOL,WRENCH	17*19 L200		
4		897518-01131	1	LOCKING TOOL			
5		899580-68730	1	SAFETY GLASSES		Sus. by P021-002861	
5		X690-000030	1	GOGGLE		Sus. by P021-002861	
5		P021-002861	1	GOGGLES			
6		898510-39130	1	BAG, TOOL			
10		P021-002620	1	SHIELD,BLADE(W/KNIFE			
11	+	C550-000080	1	SHIELD,BLADE			
12	+	C554-000000	1	KNIFE,CORD			
13	+	900252-05012	1	SCREW 5*12	5*12		
15		C550-000100	1	SHIELD,BLADE			
16	+	900565-00005	1	NUT	5		
17		900242-05018	1	SCREW 5*18	5*18		
21		C550-000090	1	SHIELD,BLADE			
22		699013-56830	1	PLATE, SHIELD			
23		900162-05025	4	BOLT, H.S. 5*25	5*25 W,SW	Sus. by 91118-05025	

## 10. Shield, Tools(Sr/Nr 36011311 and after)



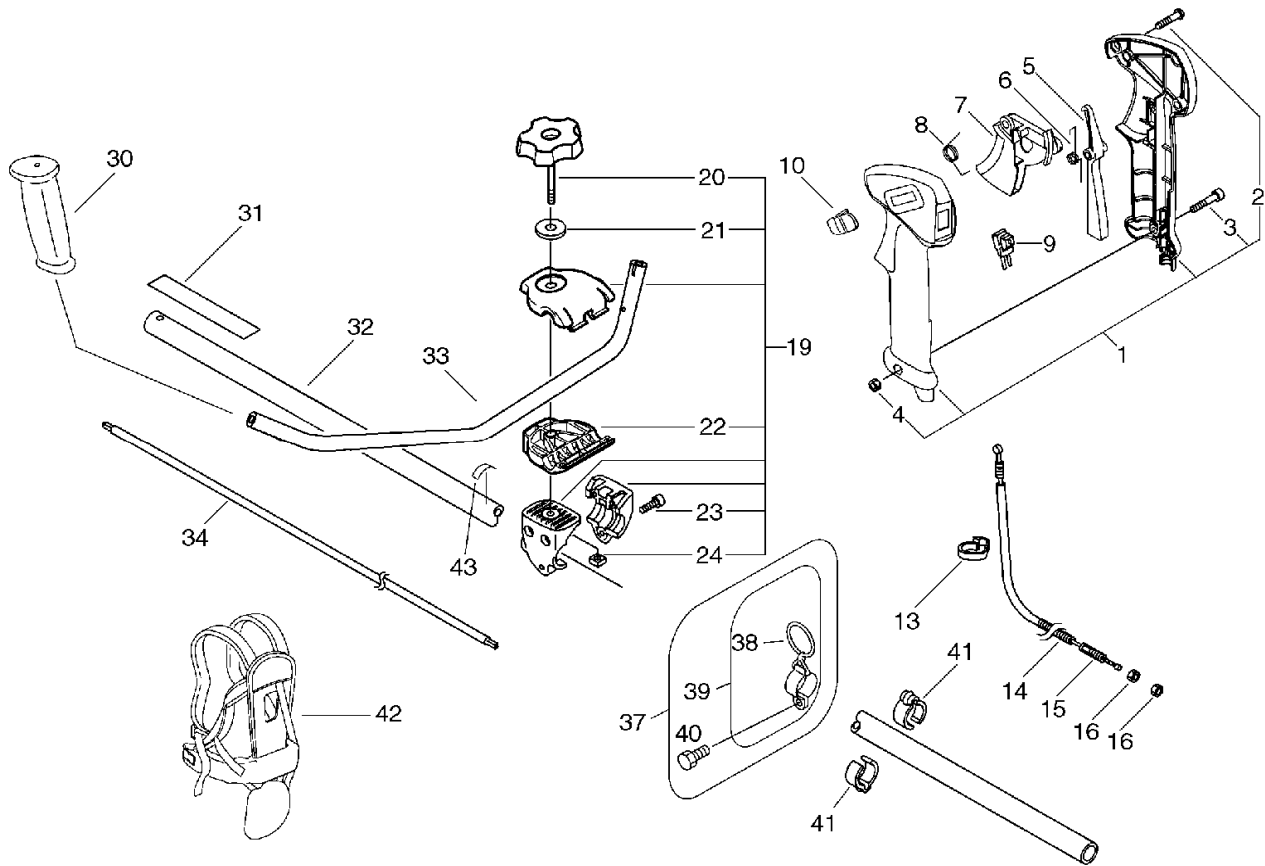
KEY	LV	PART NUMBER	Q'TY	DESCRIPTION	REMARKS	NOTE1	NOTE2
1		895610-00130	1	L-WRENCH (4MM)			
3		X602-000020	1	TOOL,WRENCH	17*19 L200		
4		897518-01131	1	LOCKING TOOL			
5		P021-002861	1	GOGGLES			
6		898510-39130	1	BAG, TOOL			
10		P021-002620	1	SHIELD, BLADE(W/KNIFE)			
11	+	C550-000080	1	SHIELD, BLADE			
12	+	C554-000000	1	KNIFE, CORD			
13	+	900252-05012	1	SCREW 5*12	5*12		
15		C550-000100	1	SHIELD, BLADE			
16	+	900565-00005	1	NUT	5		
17		900242-05018	1	SCREW 5*18	5*18		
21		C550-000090	1	SHIELD, BLADE			
22		699013-56830	1	PLATE, SHIELD			
23		91118-05025	4	BOLT	CM-5*25		

## 11. U-Handle(Sr/Nr 36011310 and befor)



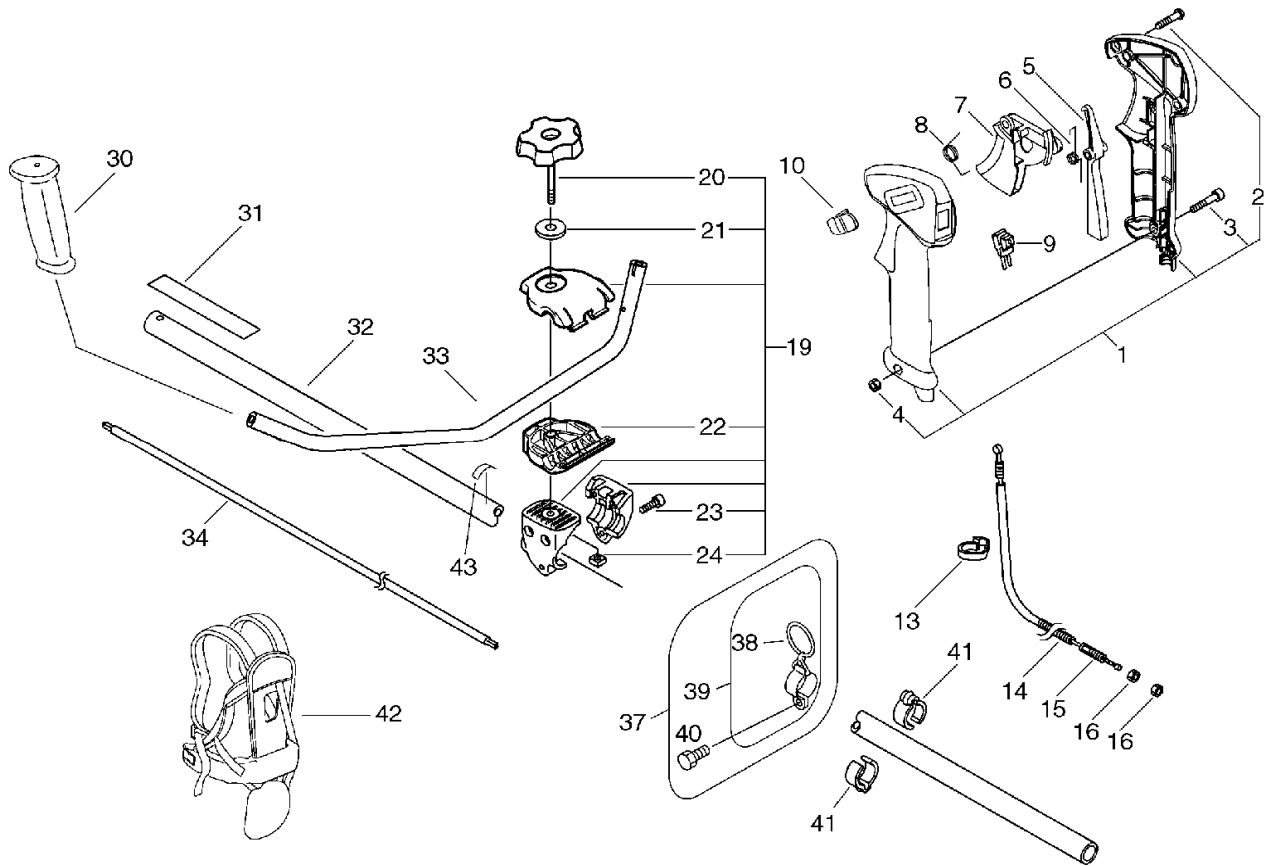
KEY	LV	PART NUMBER	Q'TY	DESCRIPTION	REMARKS	NOTE1	NOTE2
1		P021-002611	1	GRIP ASY,F-HANDLE		Sus. by P021-002612	
1		P021-002612	1	GRIP ASY,F-HANDLE		Sr/Nr 36011310 to 36012996	
2	+	900253-04016	3	SCREW 4*16	4*16	Sr/Nr 36011310 to 36012996	
3	+	900220-05030	1	SCREW 5*30	5*30	Sr/Nr 36011310 to 36012996	
4	+	900500-00005	1	NUT 5	5		
5		C460-000011	1	LOCKOUT,THROTTLE		Sr/Nr 36011310 to 36012996	
6		V452-000130	1	SPRING,TORSION		Sr/Nr 36011310 to 36012996	
7		C450-000022	1	TRIGGER,THROTTLE		Sr/Nr 36011310 to 36012996	
8		V452-000060	1	SPRING,TORSION		Sr/Nr 36011310 to 36012996	

## 11. U-Handle(Sr/Nr 36011310 and befor)



KEY	LV	PART NUMBER	Q'TY	DESCRIPTION	REMARKS	NOTE1	NOTE2
9		163401-49230	1	SWITCH, IGNITION			Sr/Nr 36011310 to 36012996
9		A440-000580	1	SWITCH, ON OFF			
10		C463-000000	1	KNOB, LATCH			Sr/Nr 36011310 to 36012996
13		159112-09960	1	CLIP			Sus. by 159112-09961
13		159112-09961	1	CLIP			
14		178127-47530	1	TUBE	7*10*760		Sus. by V475-003400
14		V475-003400	1	TUBE	7*720		Sr/Nr 36011310 to 36012996
15		V430-000410	1	CABLE, BOWDEN			Sr/Nr 36011310 to 36012996
16		900502-00006	2	NUT 6 (3N)	3N6		
19		P021-002751	1	BRACKET ASY, HANDLE			Sus. by P012-012820
20	+	V299-000110	1	KNOB, FASTENER			
21	+	605014-54230	1	WASHER			
22	+	C423-000041	1	FIXTURE, HANDLE			
23	+	900162-05030	3	BOLT, H.S. 5*30	5*30 W, SW		Sus. by 91118-05030

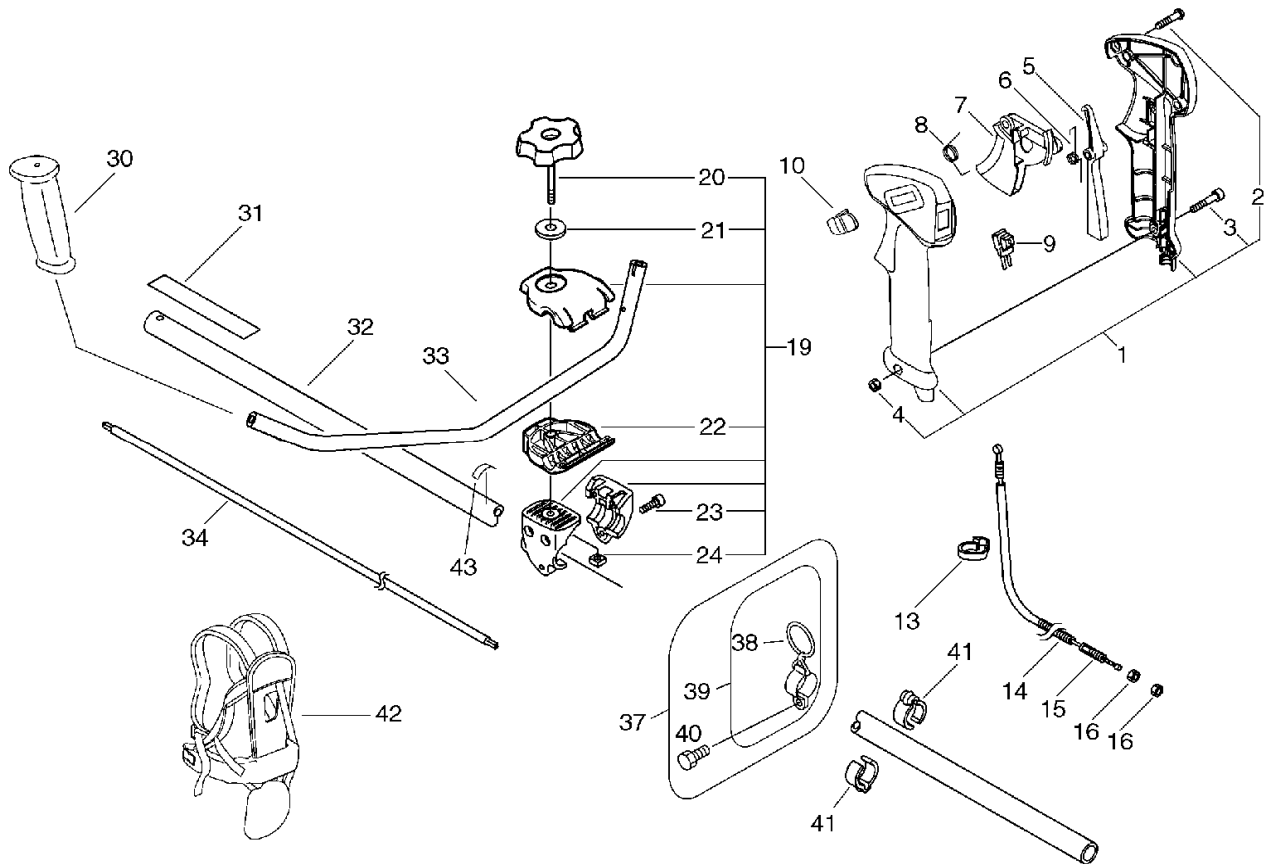
## 11. U-Handle(Sr/Nr 36011310 and befor)



KEY	LV	PART NUMBER	Q'TY	DESCRIPTION	REMARKS	NOTE1	NOTE2
24	+	900565-50008	1	NUT	8*1.25		
30		C403-000030	1	GRIP,HANDLE		Sus. by C403-000031	
30		C403-000031	1	GRIP,HANDLE			
31		890617-43130	1	LABEL,CAUTION			
32		C050-000320	1	PIPE,MAIN			
33		C400-000210	1	HANDLE,FRONT	Uハンドル 19	Sus. by C400-000211	
33		C400-000211	1	HANDLE,FRONT			
34		C504-000050	1	SHAFT,DRIVE	7*1540		
37		301200-21330	1	HOOK ASS'Y		Sus. by P021-013000	
38	+	301015-05330	1	HOOK, BAND			
39	+	301205-21330	1	HOOK			
40		900105-05012	1	BOLT, H.S. 5*12	5*12	Sus. by 91119-05012	
41		224924-52130	2	CLIP	25MM		
42		301001-56831	1	HARNESS ASY,SHOULDER		Sus. by C062-000181	
42		C062-000180	1	HARNESS,SHOULDER	ECHO	Sus. by C062-000181	
42		C062-000181	1	HARNESS,SHOULDER		Sus. by C062-000182	
43		890152-04930	1	LABEL, CAUTION			

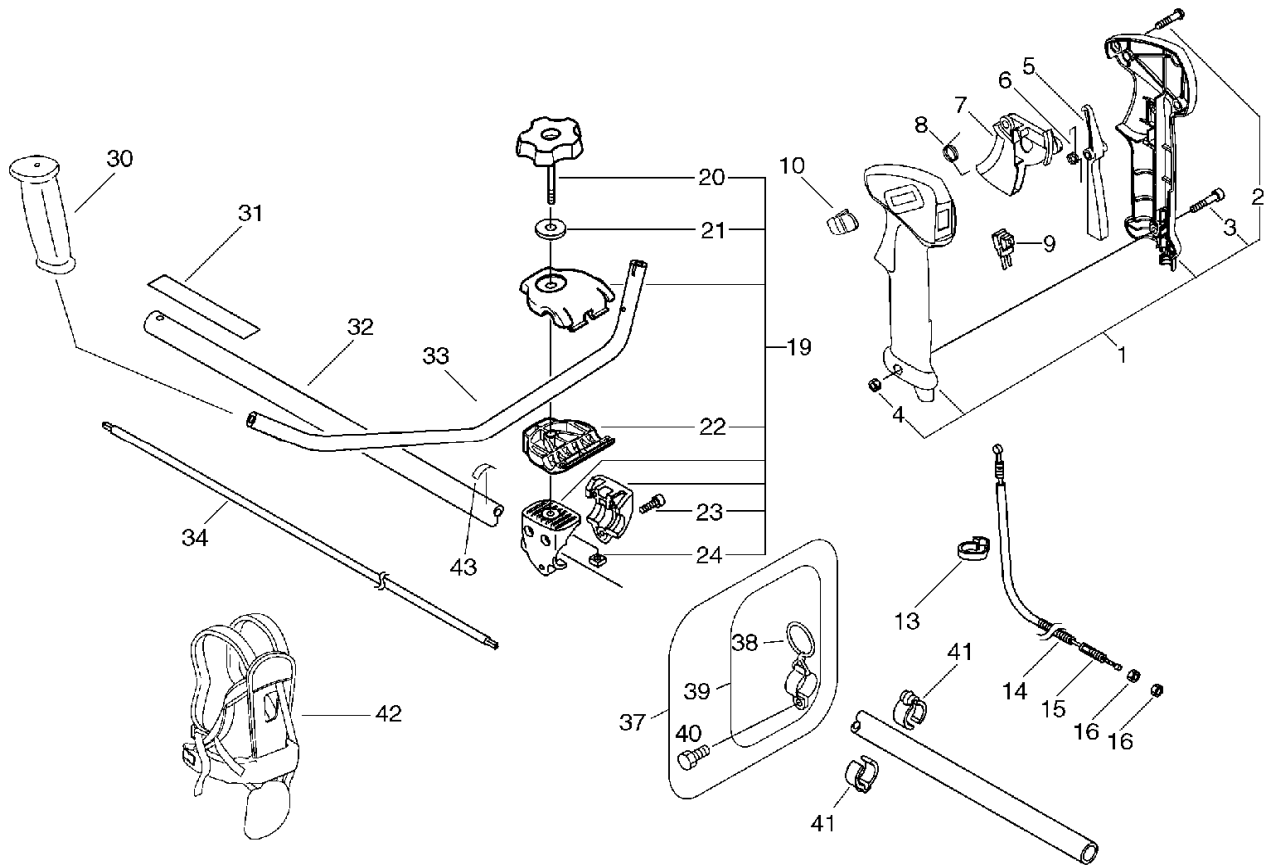


## 12. U-Handle(Sr/Nr 36011311 to 36012996)



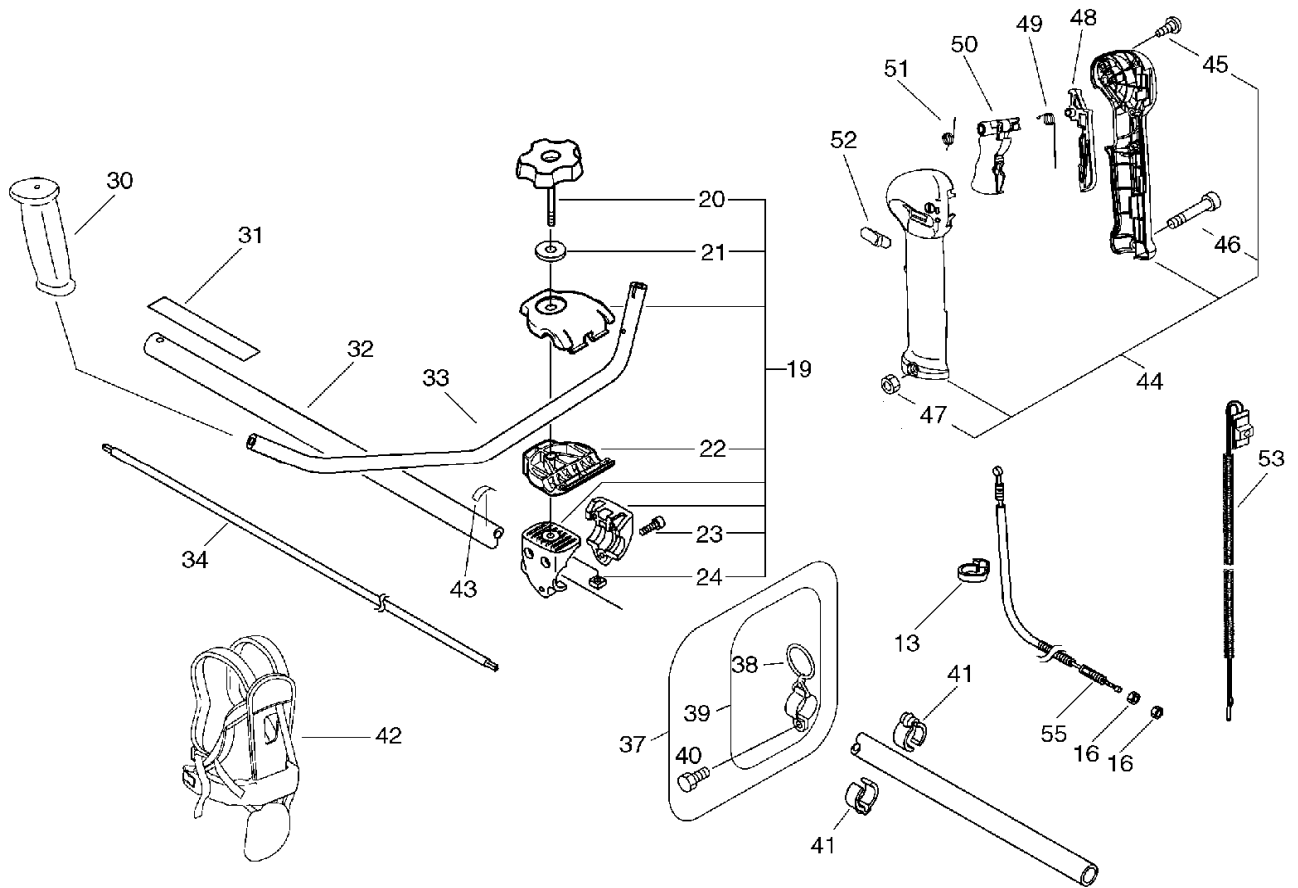
KEY	LV	PART NUMBER	Q'TY	DESCRIPTION	REMARKS	NOTE1	NOTE2
1		P021-002612	1	GRIP ASY,F-HANDLE			
2	+	900253-04016	3	SCREW 4*16	4*16		
3	+	900220-05030	1	SCREW 5*30	5*30		
4	+	900500-00005	1	NUT 5	5		
5		C460-000011	1	LOCKOUT,THROTTLE			
6		V452-000130	1	SPRING,TORSION			
7		C450-000022	1	TRIGGER,THROTTLE			
8		V452-000060	1	SPRING,TORSION			
9		A440-000580	1	SWITCH,ON OFF			
10		C463-000000	1	KNOB,LATCH			
13		159112-09961	1	CLIP			
14		V475-003400	1	TUBE	7*720		
15		V430-000410	1	CABLE,BOWDEN			
16		900502-00006	2	NUT 6 (3N)	3N6		
19		P021-012820	1	FIXTURE,ASY HANDLE	SRM-2655SI		
20	+	V299-000110	1	KNOB,FASTENER			
21	+	605014-54230	1	WASHER			
22	+	C423-000041	1	FIXTURE,HANDLE			
23	+	91118-05030	3	BOLT			
24	+	900565-50008	1	NUT	8*1.25		
30		C403-000031	1	GRIP,HANDLE			
31		890617-43130	1	LABEL,CAUTION			
32		C050-000320	1	PIPE,MAIN			
33		C400-000211	1	HANDLE,FRONT			
34		C504-000050	1	SHAFT,DRIVE	7*1540		
37		P021-013000	1	RING, HARNESS ASSY	SRM-2655SI		

## 12. U-Handle(Sr/Nr 36011311 to 36012996)



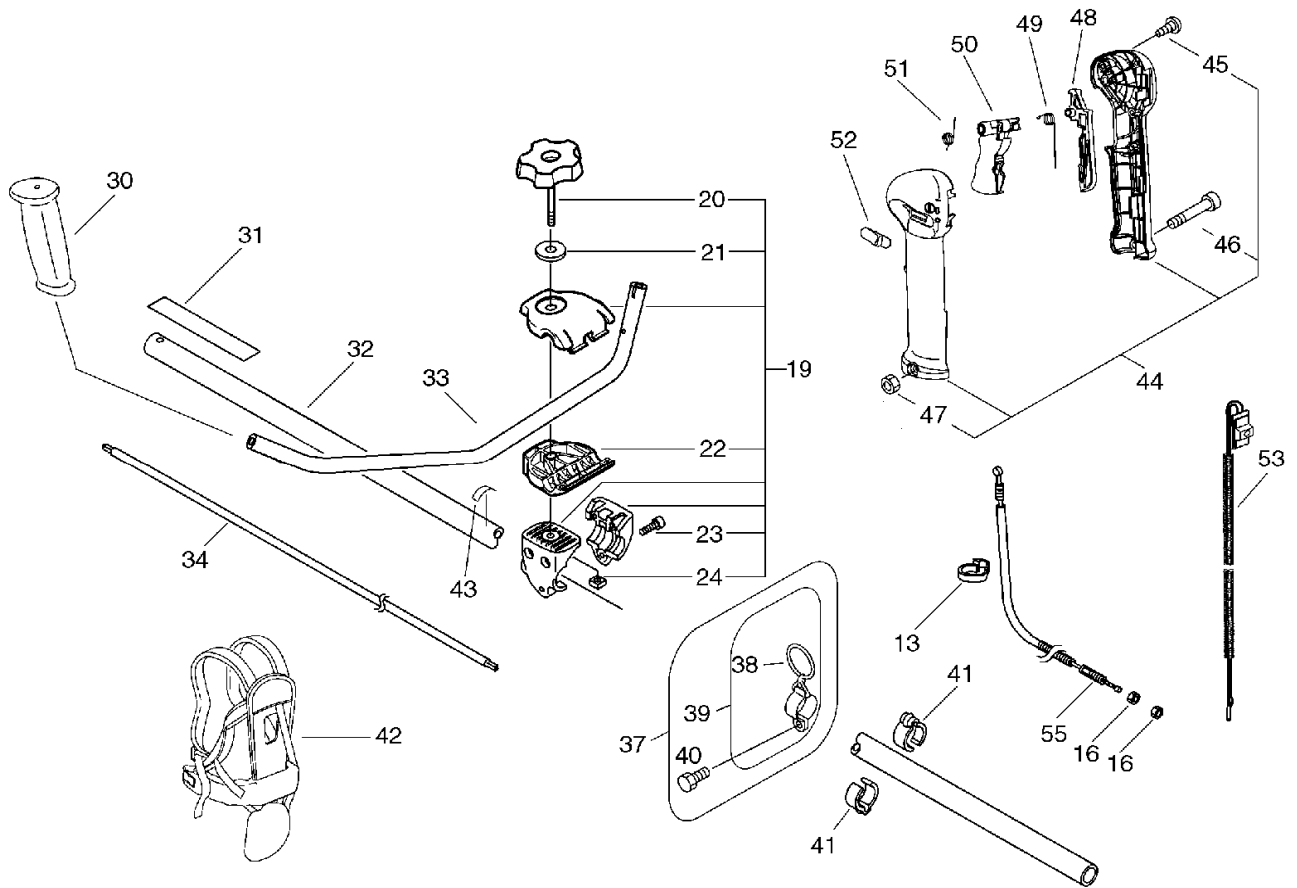
KEY	LV	PART NUMBER	Q'TY	DESCRIPTION	REMARKS	NOTE1	NOTE2
39	+	301200-21330	1	HOOK ASS'Y			
38	++	301015-05330	1	HOOK, BAND			
40	+	91119-05012	1	BOLT	CB-5*12		
41		224924-52130	2	CLIP	25MM		
42		C062-000181	1	HARNESS, SHOULDER		Sus. by C062-000182	
42		C062-000182	1	HARNESS, SHOULDER			
43		890152-04930	1	LABEL, CAUTION			

## 13. U-Handle(Sr/Nr 36013035 and after)



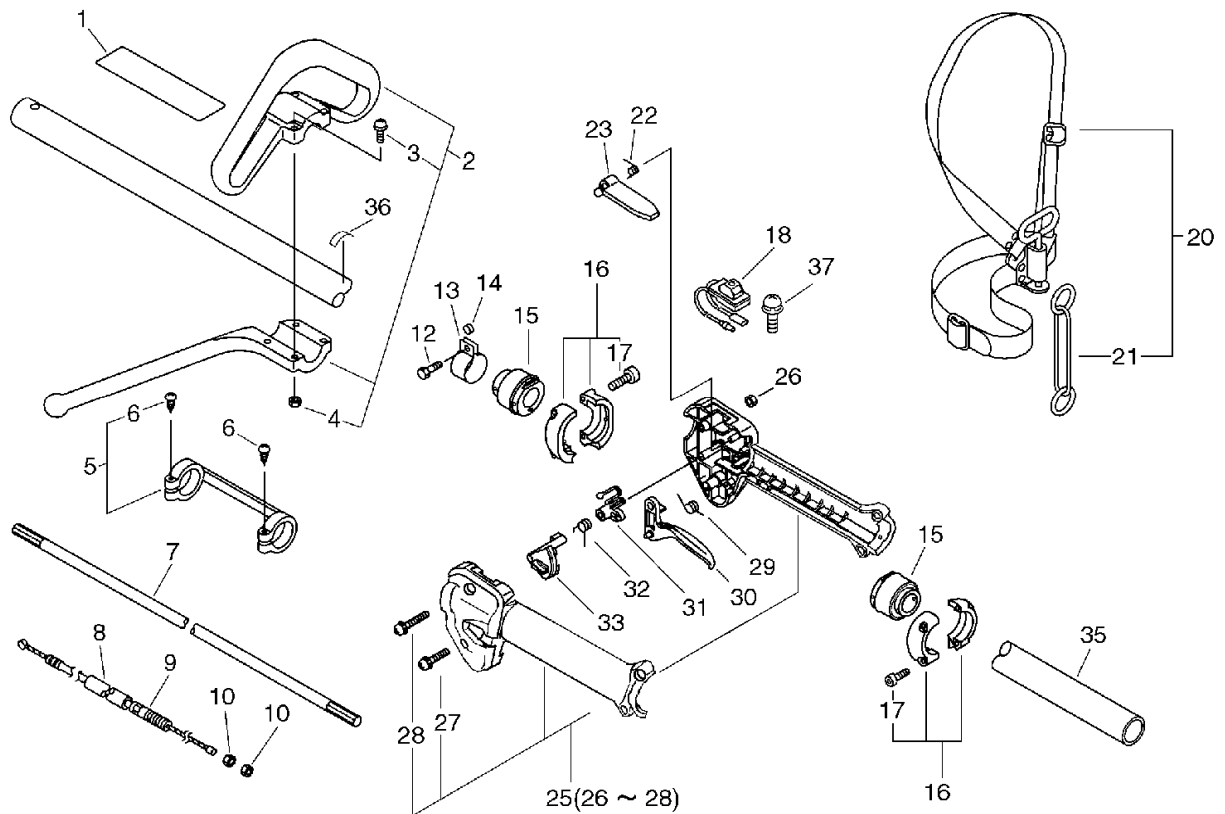
KEY	LV	PART NUMBER	Q'TY	DESCRIPTION	REMARKS	NOTE1	NOTE2
44		P021-014090	1	GRIP ASY,F-HANDLE		Sr/Nr 36013035 and after	
45	+	900256-04016	3	SCREW 4*16	4*16	Sr/Nr 36013035 and after	
46	+	91119-05030	1	BOLT		Sr/Nr 36013035 and after	
47	+	900500-00005	1	NUT 5	5	Sr/Nr 36013035 and after	
48		C460-000110	1	LOCKOUT, THROTTLE		Sr/Nr 36013035 and after	
51		V452-000360	1	SPRING,TORSION		Sr/Nr 36013035 and after	
50		C450-000270	1	CONTROL, THROTTLE		Sr/Nr 36013035 and after	
49		V452-000350	1	SPRING,TORSION		Sr/Nr 36013035 and after	
53		P021-015260	1	SWITCH,ON OFF		Sr/Nr 36013035 and after	
52		C463-000020	1	KNOB, LATCH		Sr/Nr 36013035 and after	
13		159112-09961	1	CLIP			
55		V430-002060	1	CABLE,BOWDEN			
16		900502-00006	2	NUT 6 (3N)	3N6		
19		P021-012820	1	FIXTURE,ASY HANDLE	SRM-2655SI		
20	+	V299-000110	1	KNOB,FASTENER			
21	+	605014-54230	1	WASHER			

## 13. U-Handle(Sr/Nr 36013035 and after)



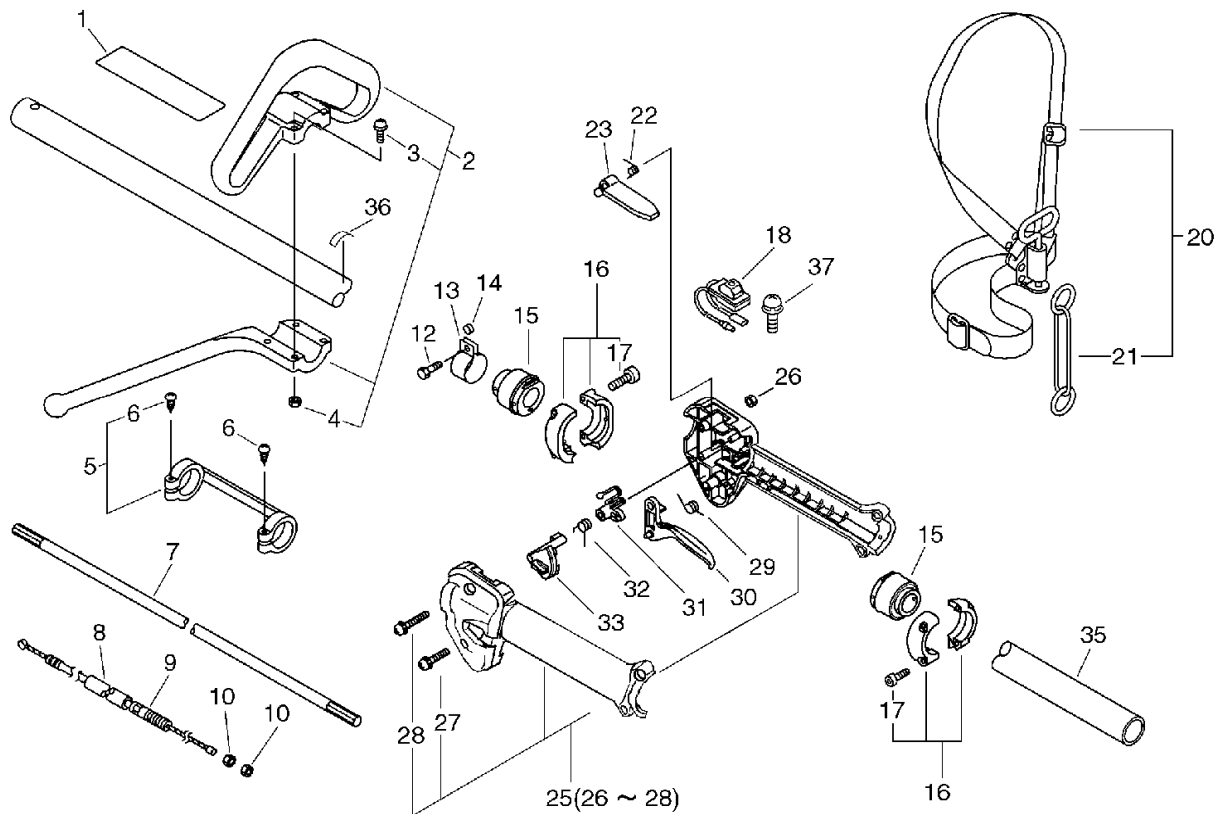
KEY	LV	PART NUMBER	Q'TY	DESCRIPTION	REMARKS	NOTE1	NOTE2
22	+	C423-000041	1	FIXTURE,HANDLE			
23	+	91118-05030	3	BOLT			
24	+	900565-50008	1	NUT	8*1.25		
30		C403-000031	1	GRIP,HANDLE			
31		890617-43130	1	LABEL,CAUTION			
32		C050-000320	1	PIPE,MAIN			
33		C400-000211	1	HANDLE,FRONT			
34		C504-000050	1	SHAFT,DRIVE	7*1540		
37		P021-013000	1	RING, HARNESS ASSY	SRM-2655SI		
39	+	301200-21330	1	HOOK ASS'Y			
38	++	301015-05330	1	HOOK, BAND			
40	+	91119-05012	1	BOLT	CB-5*12		
41		224924-52130	2	CLIP	25MM		
42		C062-000182	1	HARNESS,SHOULDER			
43		890152-04930	1	LABEL, CAUTION			

## 14. Loop Handle(Sr/Nr 36011310 and before)



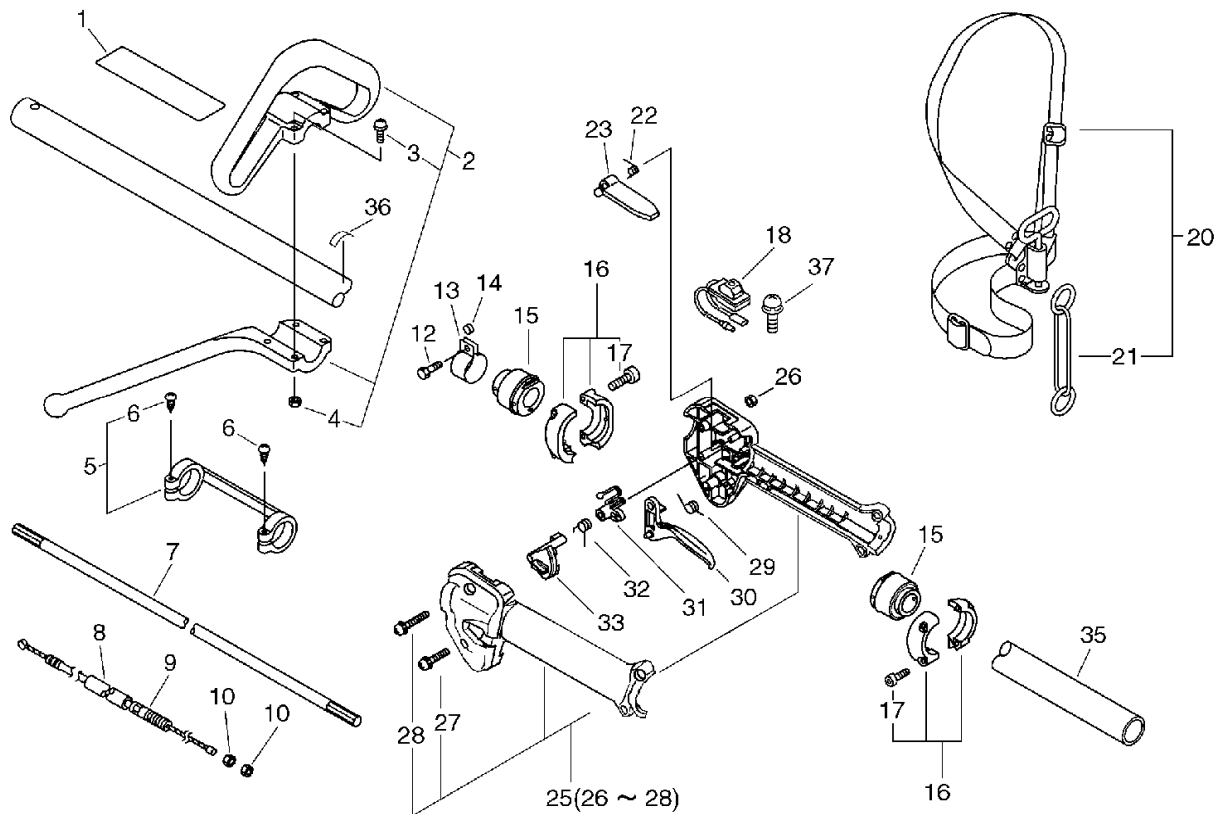
KEY	LV	PART NUMBER	Q'TY	DESCRIPTION	REMARKS	NOTE1	NOTE2
1		X505-000140	1	LABEL,CAUTION		Sus. by 890617-43130	
1		890617-43130	1	LABEL,CAUTION			
2		P021-005940	1	HANDLE ASY, LOOP			
3	+	900242-05035	4	SCREW 5*35	5*35		
4	+	900500-00005	4	NUT 5	5		
5		610281-54130	1	COLLER			
6	+	900253-04025	2	SCREW 4*25	4*25		
7		C504-000050	1	SHAFT,DRIVE	7*1540		
8		178127-54530	1	TUBE 7*10*130	7*10*130	Sus. by V475-004030	
9		V430-000920	1	CABLE,BOWDEN			
10		900502-00006	2	NUT 6 (3N)	3N6		
12		900100-05018	1	BOLT 5*18	5*18		
13		301207-08930	1	HOOK			
14		699012-03330	1	SPACER			
15		V420-000960	2	CUSHION			
16		P021-005950	2	FIXTURE,ASY HANDLE		Sus. by P021-012630	
17	+	900162-05025	4	BOLT, H.S. 5*25	5*25 W,SW	Sus. by 91118-05025	
18		163400-49230	1	SWITCH, IGNITION		Sus. by A440-000320	
20		301000-55230	1	HARNESS ASSY		Sus. by 301000-55231	
20		301000-55231	1	HARNESS ASY,SHOULDER			

## 14. Loop Handle(Sr/Nr 36011310 and before)



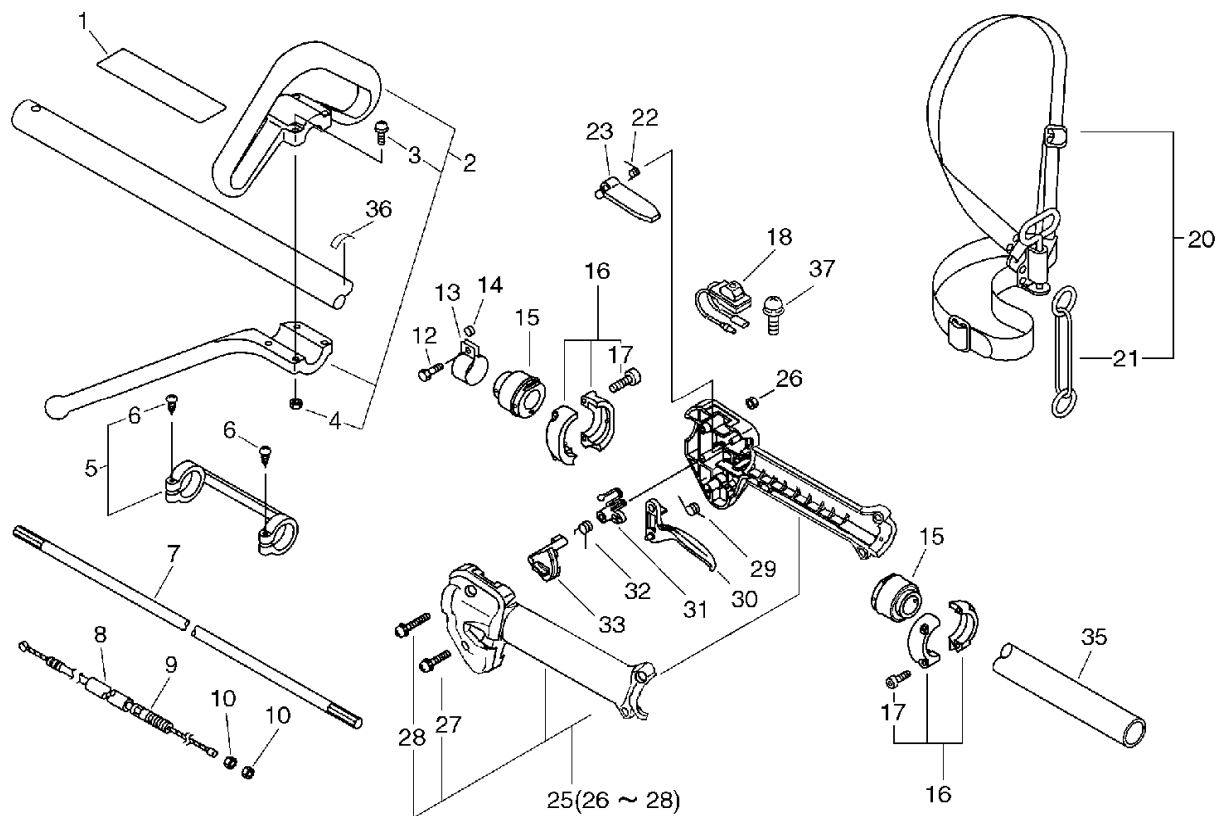
KEY	LV	PART NUMBER	Q'TY	DESCRIPTION	REMARKS	NOTE1	NOTE2
21	+	301305-24330	1	LINK			
22		178013-52630	1	SPRING, THR. LOCK			
23		178090-52631	1	LOCKOUT, T. CONTROL		Sus. by 178090-52632	
23		178090-52632	1	LOCKOUT, T. CONTROL			
25		P021-005960	1	BRACKET SET, THROTTLE			
26	+	900500-00005	4	NUT 5	5		
27	+	900242-05025	3	SCREW 5*25	5*25		
28	+	900242-05035	1	SCREW 5*35	5*35		
29		178043-42230	1	SPRING, THR. RETURN			
30		C450-000110	1	TRIGGER, THROTTLE			
31		C461-000000	1	LATCH, THROTTLE			
32		V452-000120	1	SPRING, TORSION			
33		C461-000010	1	LATCH, THROTTLE			
35		C050-000320	1	PIPE, MAIN			
36		890152-04930	1	LABEL, CAUTION			

## 15. Loop Handle(Sr/Nr 36011311 and after)



KEY	LV	PART NUMBER	Q'TY	DESCRIPTION	REMARKS	NOTE1	NOTE2
1		890617-43130	1	LABEL,CAUTION			
2		P021-005940	1	HANDLE ASY, LOOP			
3	+	900242-05035	4	SCREW 5*35	5*35		
4	+	900500-00005	4	NUT 5	5		
5		610281-54130	1	COLLER			
6	+	900253-04025	2	SCREW 4*25	4*25		
7		C504-000050	1	SHAFT,DRIVE	7*1540		
8		178127-54530	1	TUBE 7*10*130	7*10*130	Sus. by V475-004030	
8		V475-004030	1	TUBE	7*180		
9		V430-000920	1	CABLE,BOWDEN			
10		900502-00006	2	NUT 6 (3N)	3N6		
12		900100-05018	1	BOLT 5*18	5*18		
13		301207-08930	1	HOOK			
14		699012-03330	1	SPACER			
15		V420-000960	2	CUSHION			
16		P021-012630	2	BRACKET ASM., HANDLE			
17	+	91118-05025	4	BOLT	CM-5*25		
18		163400-49230	1	SWITCH, IGNITION		Sus. by A440-000320	
18		A440-000320	1	SWITCH,ON OFF		Sus. by A440-001040	
18		A440-001040	1	SWITCH, ON OFF			
20		301000-55231	1	HARNESS ASY,SHOULDER			
21	+	301305-24330	1	LINK			
22		178013-52630	1	SPRING, THR. LOCK			

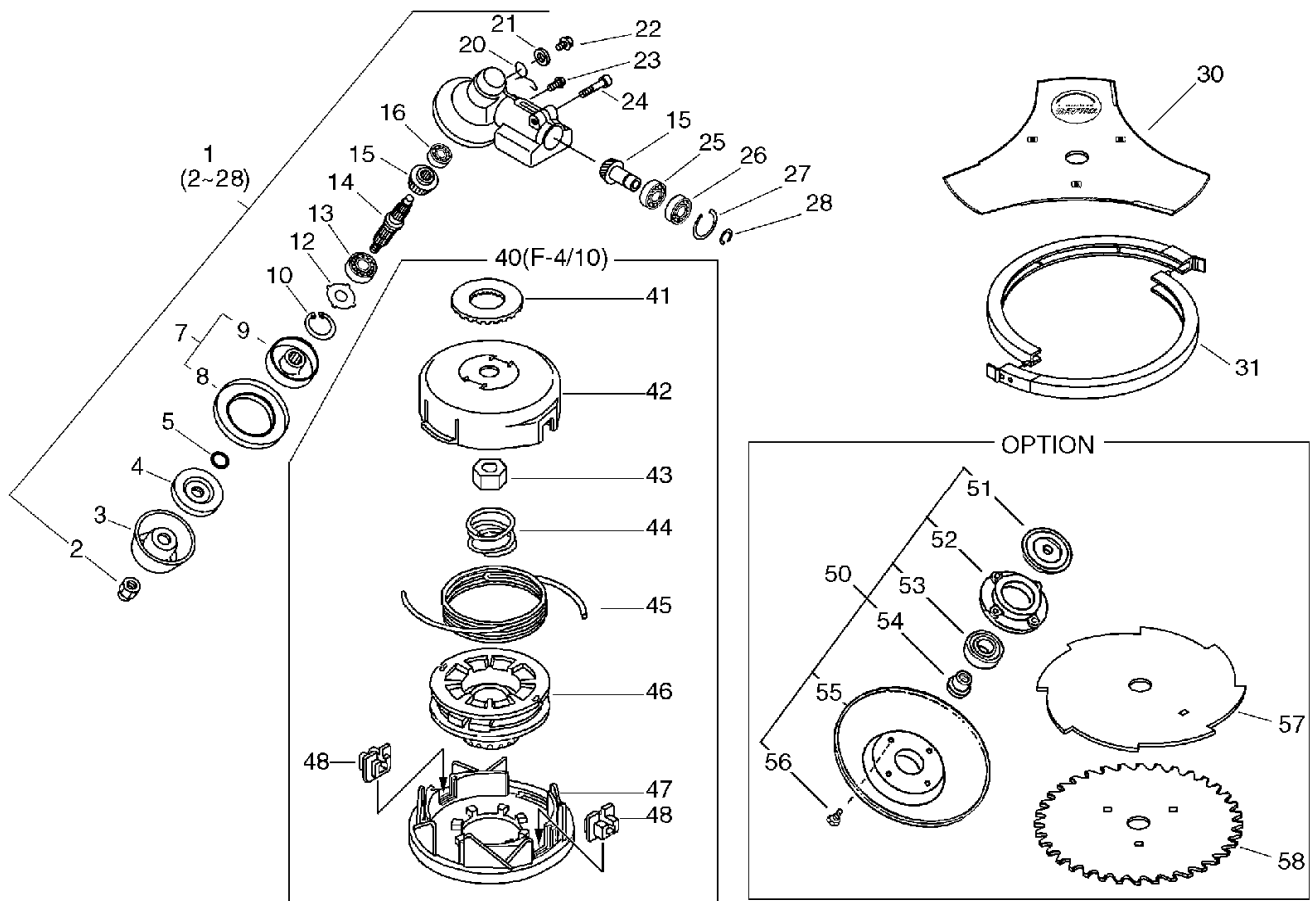
## 15. Loop Handle(Sr/Nr 36011311 and after)



KEY	LV	PART NUMBER	Q'TY	DESCRIPTION	REMARKS	NOTE1	NOTE2
23		178090-52632	1	LOCKOUT, T. CONTROL			
25		P021-005960	1	BRACKET SET, THROTTLE			
26	+	900500-00005	4	NUT 5	5		
27	+	900242-05025	3	SCREW 5*25	5*25		
28	+	900242-05035	1	SCREW 5*35	5*35		
29		178043-42230	1	SPRING, THR. RETURN			
30		C450-000110	1	TRIGGER, THROTTLE			
31		C461-000000	1	LATCH, THROTTLE			
32		V452-000120	1	SPRING, TORSION			
33		C461-000010	1	LATCH, THROTTLE			
35		C050-000320	1	PIPE, MAIN			
36		890152-04930	1	LABEL, CAUTION			
37		900238-05010	1	SCREW 5*10	5*10		



## 16. Gear Case, Blade, Nylon Line Cutting Head(Sr/Nr 36011310 and

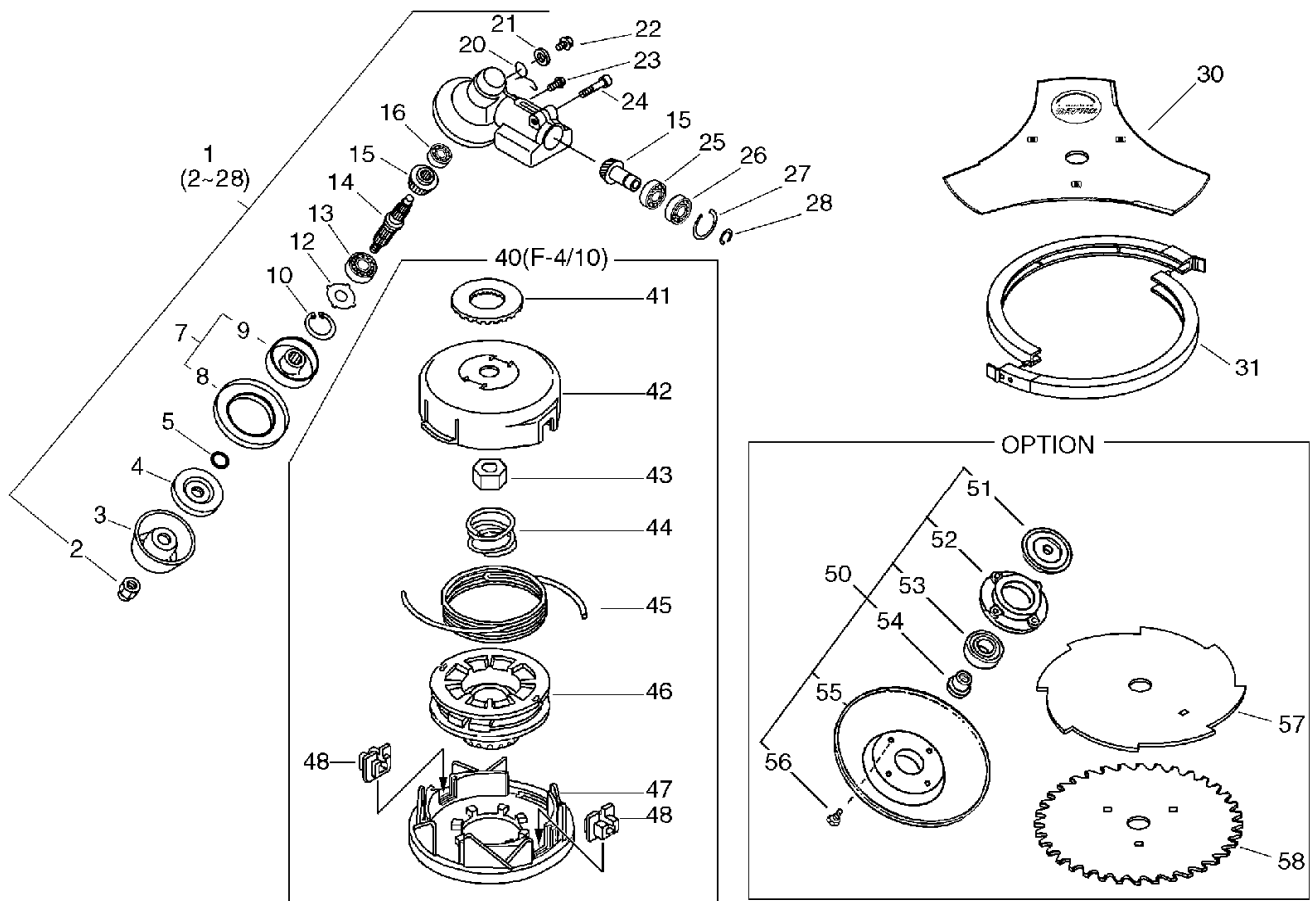


KEY	LV	PART NUMBER	Q'TY	DESCRIPTION	REMARKS	NOTE1	NOTE2
1		610400-52131	1	CASE ASY, GEAR		Sus. by 610400-52132	
1		610400-52132	1	CASE ASY, GEAR		Sus. by P021-012600	
2	+	610320-52130	1	NUT 10			
3	+	699229-56830	1	PLATE, COVER			
4	+	610314-52130	1	PLATE, ADAPTER (L)			
5	+	900720-00012	1	O-RING 12	P-12		
7	+	C535-000000	1	FIXTURE, BLADE		Sus. by C535-000001	
7	+	C535-000001	1	FIXTURE, BLADE			
8	++	610352-56830	1	PLATE, CUP			
9	++	C535-000010	1	FIXTURE, BLADE		Sus. by C535-000011	
9	++	C535-000011	1	FIXTURE, BLADE			
10	+	900702-00032	1	CIRCLIP 32	CR-32		
12	+	610444-56830	1	WASHER			
13	+	900812-06201	1	BEARING, BALL 6201	6201DDU(LLU)		
14	+	610310-56830	1	SHAFT, P.T.O.			
15	+	610300-25531	1	GEAR SET	7S		
16	+	900810-00626	1	BEARING, BALL 626	626		
20	+	610473-52131	1	SPRING			
21	+	900603-50008	1	WASHER	8.5*18*0.8T		
22	+	610434-50031	1	BOLT 8*8	M8*8		
23	+	900242-05010	1	SCREW 5*10	5*10		

d before)



## 16. Gear Case, Blade, Nylon Line Cutting Head(Sr/Nr 36011310 and

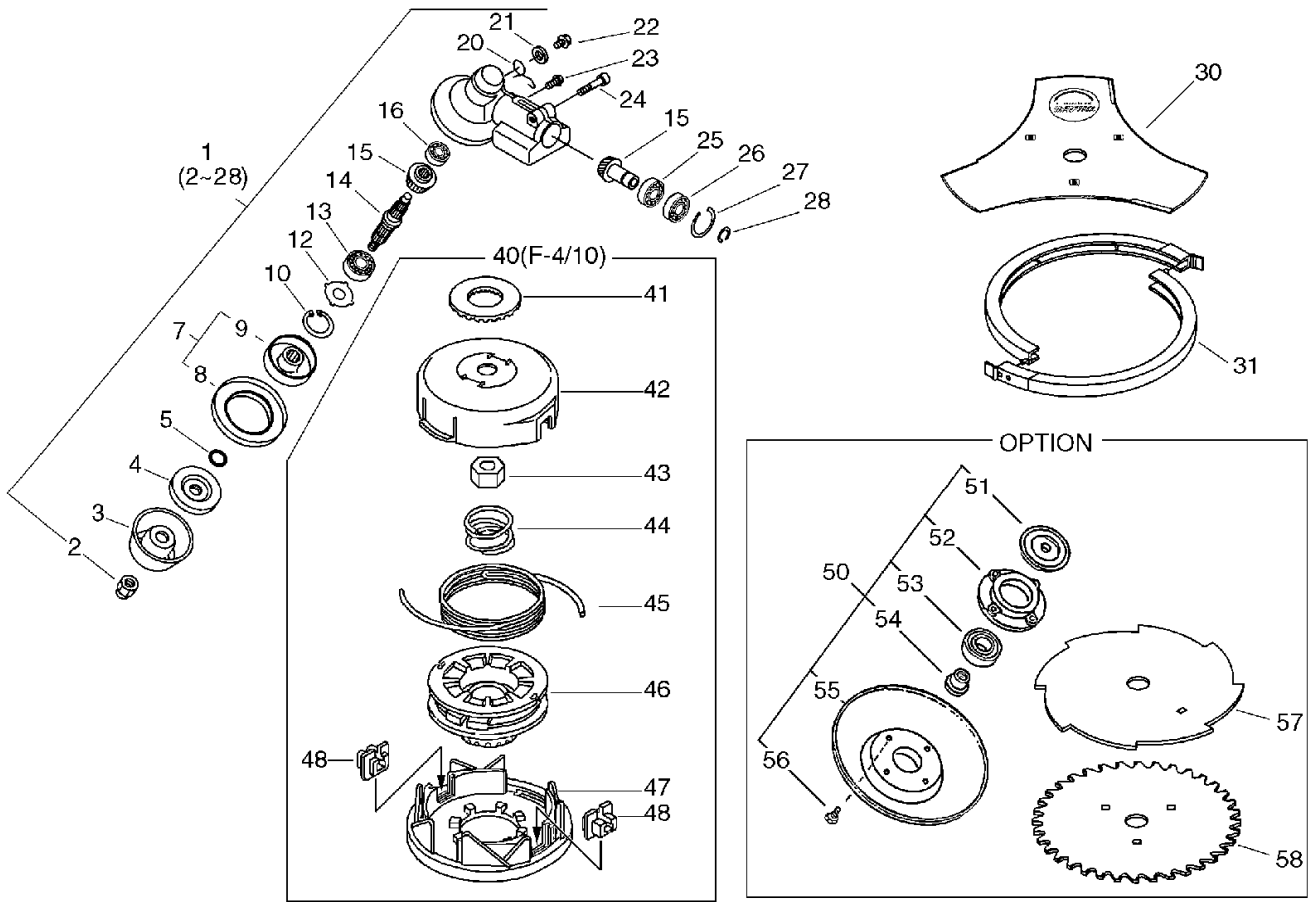


KEY	LV	PART NUMBER	Q'TY	DESCRIPTION	REMARKS	NOTE1	NOTE2
24	+	900162-06025	1	BOLT, H.S. 6*25	6*25 W,SW	Sus. by 91118-06025	
25	+	900855-06900	1	BEARING, BALL 6900	6900		
26	+	900858-06900	1	BEARING, BALL 6900Z	6900Z		
27	+	900702-00022	1	CIRCLIP 22	CR-22		
28	+	900706-00010	1	CIRCLIP 10	WR-10		
30		X405-000010	1	SAW,BUSH CUTTER	3*230*25.4*T2.0	Sus. by X405-000011	
30		X405-000011	1	SAW,BUSH CUTTER	3*230*25.4*T2.0		
31		898523-47130	1	SCABBARD,BLADE		Sus. by P021-007470	
31		P021-007470	1	SCABBARD,BLADE			
40		X047-000260	1	CUTTER,ASM LINE	F4/10 M10L		
41	+	V332-000000	1	WASHER,CIRCULAR 24			
42	+	P022-003310	1	HOUSING			
43	+	P022-001220	1	NUT			
44	+	P022-001250	1	SPRING	DS-3/10		
45	+	P022-006190	1	NYLON CODE	3.0*2M		
46	+	P022-001260	1	BOBBIN	DS-3/10		
47	+	P022-003330	1	COVER			
48	+	P022-000710	2	EYELET	T4		
50		699200-56830	1	CAP ASSY, FREE		OPTION	
51	+	610313-56830	1	PLATE, ADAPTER (U)		OPTION	
52	+	699226-05430	1	HOLDER, BEARING		OPTION	
53	+	900814-06202	1	BEARING, BALL 6202	6202ZZ	OPTION	

d before)

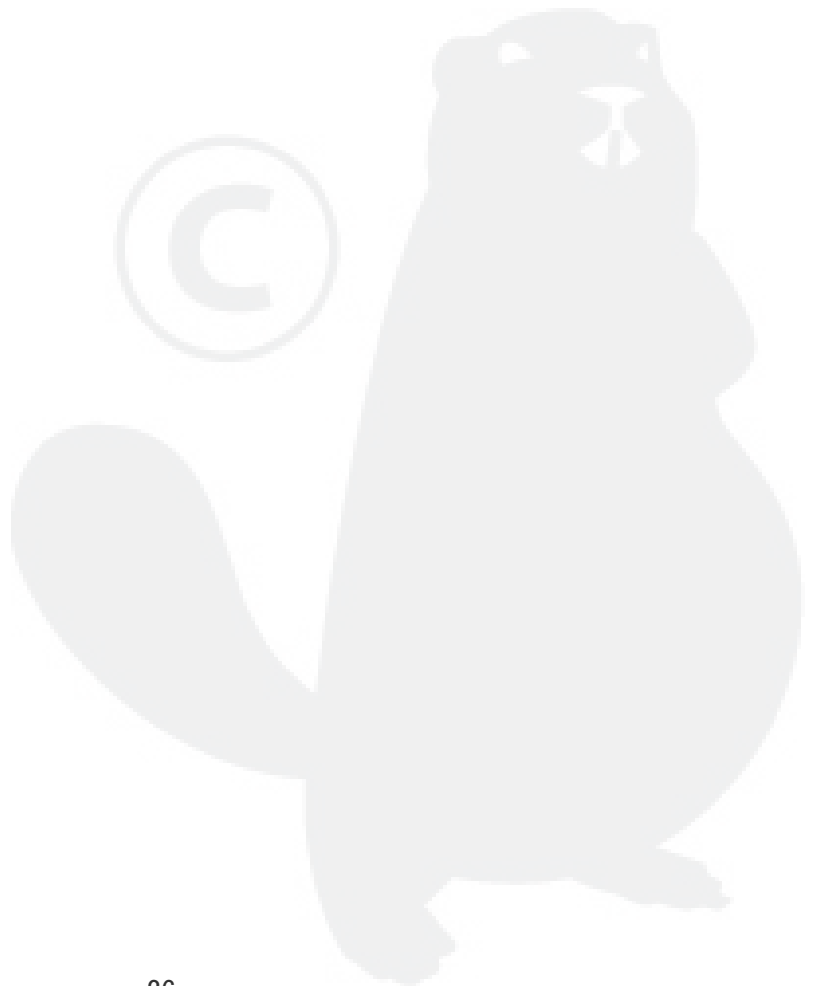


16. Gear Case, Blade, Nylon Line Cutting Head(Sr/Nr 36011310 and

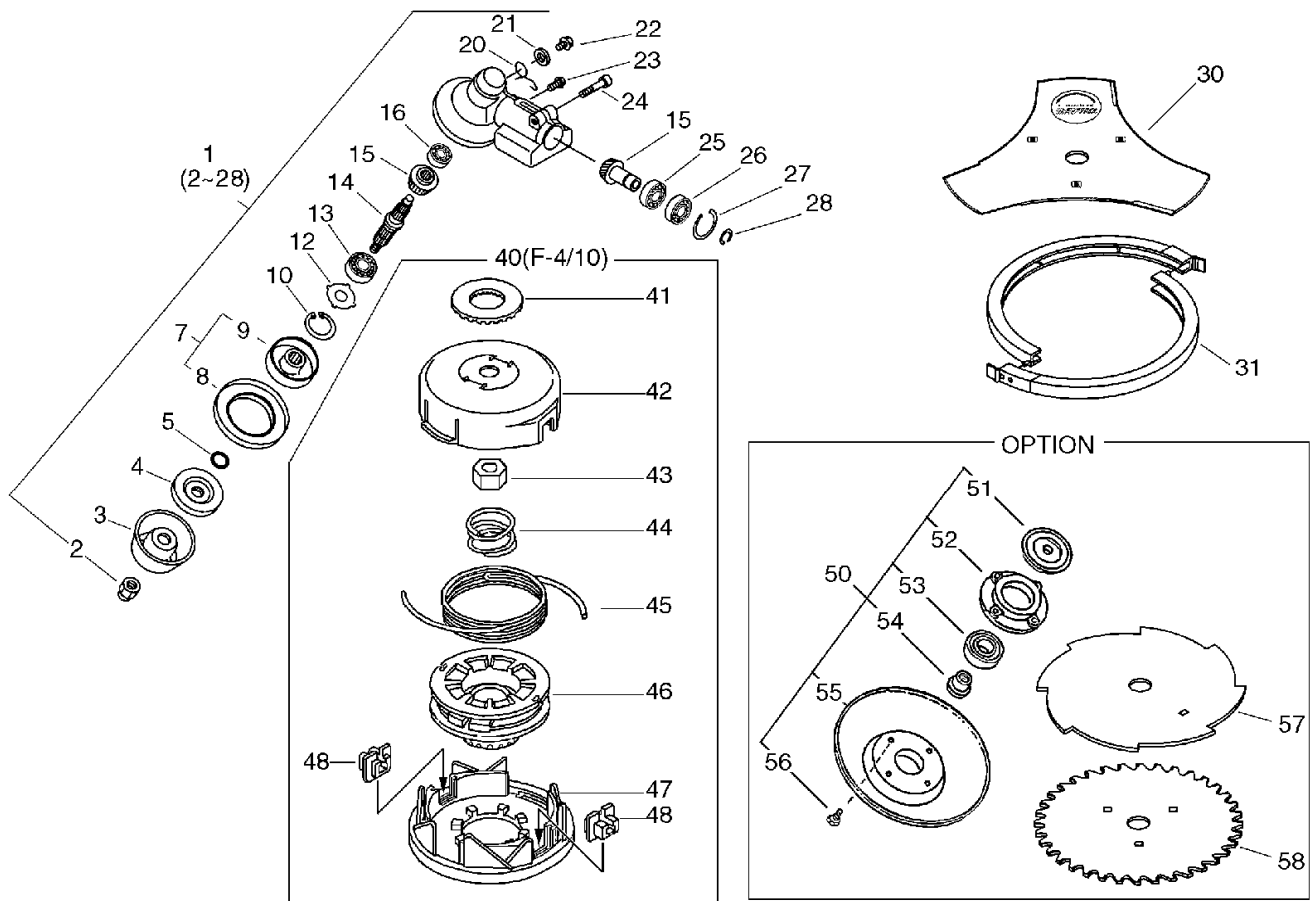


KEY	LV	PART NUMBER	Q'TY	DESCRIPTION	REMARKS	NOTE1	NOTE2
54	+	699227-04630	1	NUT		OPTION	
55	+	699228-08930	1	PLATE, COVER		OPTION	
56	+	900141-05012	4	BOLT 5*12	5*12	OPTION	
57		696001-44730	1	BLADE,8-CUTTER 9IN		Sus. by 696001-44731	
57		696001-44731	1	BLADE, 8-CUTTER 9IN	230*8T*1.4 PD25	OPTION	
58		695001-44730	1	SAW,CIRCULAR 9*80T		Sus. by 695001-44731	
58		695001-44731	1	SAW, CIRCULAR 9*80T	230*80P*1.4 PD25	OPTION	

d before)



## 17. Gear Case, Blade, Nylon Line Cutting Head(Sr/Nr 36011311 and



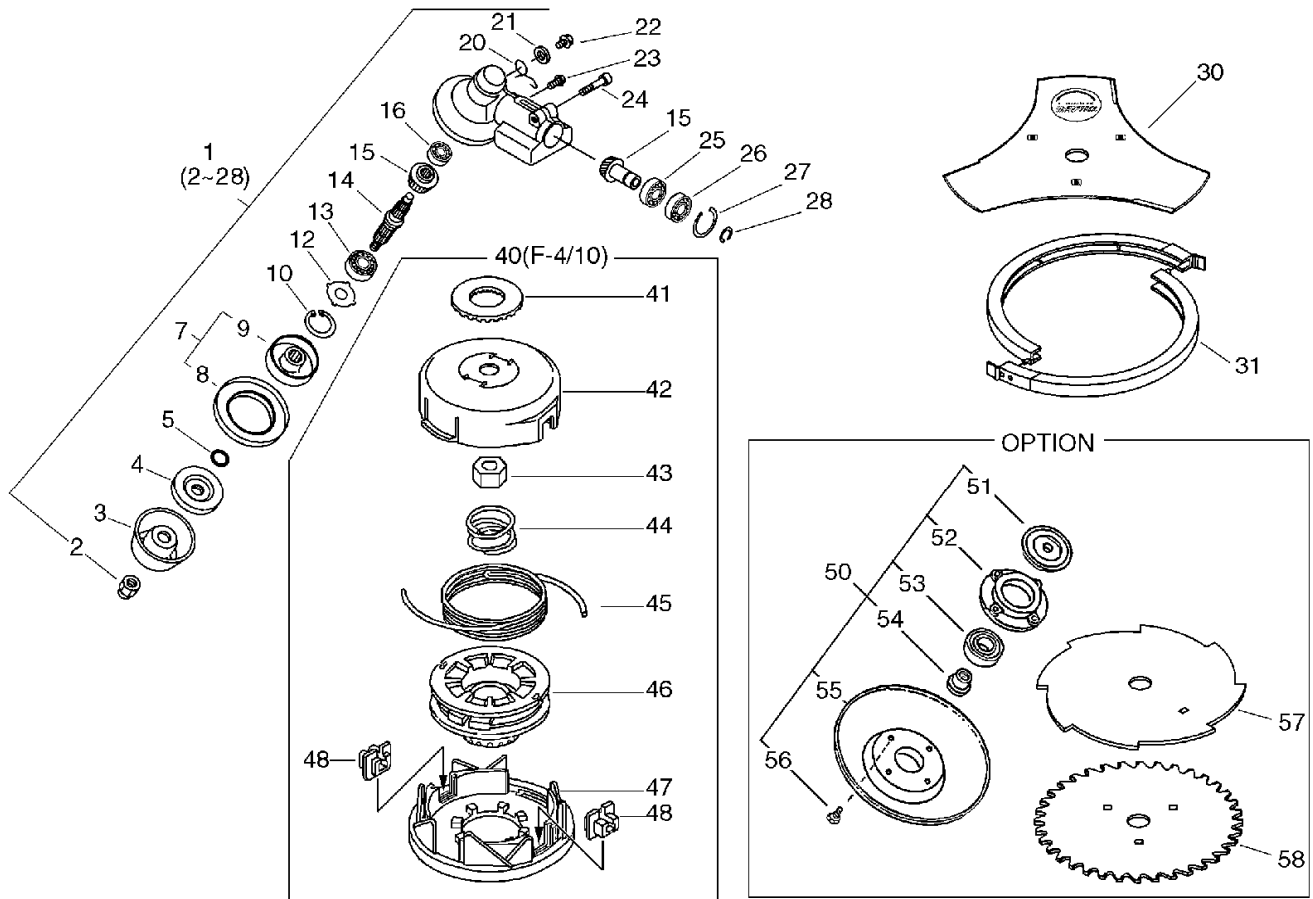
KEY	LV	PART NUMBER	Q'TY	DESCRIPTION	REMARKS	NOTE1	NOTE2
1		P021-012600	1	CASE,GEAR			
2	+	610320-52130	1	NUT 10			
3	+	699229-56830	1	PLATE, COVER			
4	+	610314-52130	1	PLATE, ADAPTER (L)			
5	+	900720-00012	1	O-RING 12	P-12		
7	+	C535-000001	1	FIXTURE,BLADE			
8	++	610352-56830	1	PLATE, CUP			
9	++	C535-000011	1	FIXTURE,BLADE			
10	+	900702-00032	1	CIRCLIP 32	CR-32		
12	+	610444-56830	1	WASHER			
13	+	900812-06201	1	BEARING, BALL 6201	6201DDU(LLU)		
14	+	610310-56830	1	SHAFT, P.T.O.			
15	+	610300-25531	1	GEAR SET	7S		
16	+	900810-00626	1	BEARING, BALL 626	626		
20	+	610473-52131	1	SPRING			
21	+	900603-50008	1	WASHER	8.5*18*0.8T		
22	+	610434-50031	1	BOLT 8*8	M8*8		
23	+	900242-05010	1	SCREW 5*10	5*10		
24	+	91118-06025	1	BOLT			
25	+	900855-06900	1	BEARING, BALL 6900	6900		
26	+	900858-06900	1	BEARING, BALL 6900Z	6900Z		
27	+	900702-00022	1	CIRCLIP 22	CR-22		
28	+	900706-00010	1	CIRCLIP 10	WR-10		
30		X405-000011	1	SAW,BUSH CUTTER	3*230*25.4*T2.0		
31		P021-007470	1	SCABBARD,BLADE			

d after)



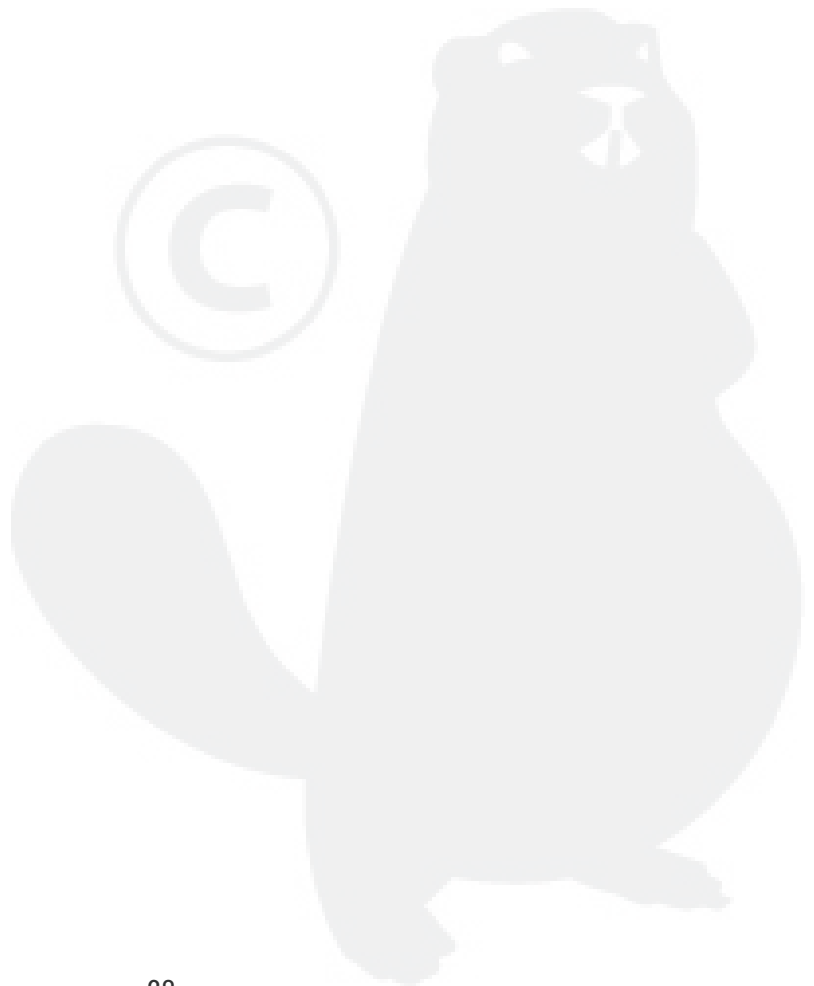


## 17. Gear Case, Blade, Nylon Line Cutting Head(Sr/Nr 36011311 and

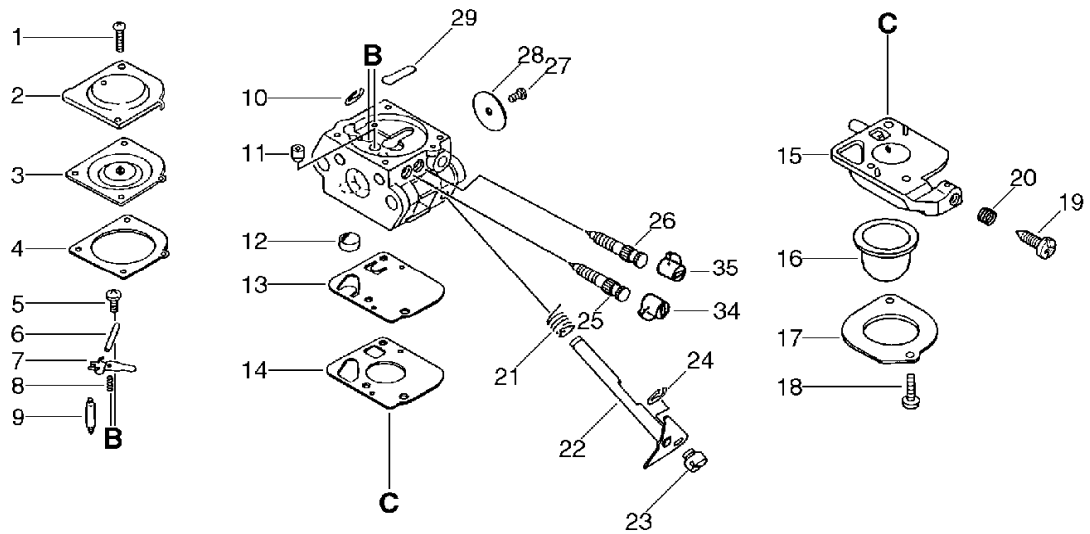


KEY	LV	PART NUMBER	Q'TY	DESCRIPTION	REMARKS	NOTE1	NOTE2
40		X047-000260	1	CUTTER,ASM LINE	F4/10 M10L		
41	+	V332-000000	1	WASHER,CIRCULAR 24			
42	+	P022-003310	1	HOUSING			
43	+	P022-001220	1	NUT			
44	+	P022-001250	1	SPRING	DS-3/10		
45	+	P022-006190	1	NYLON CODE	3.0*2M		
46	+	P022-001260	1	BOBBIN	DS-3/10		
47	+	P022-003330	1	COVER			
48	+	P022-000710	2	EYELET	T4		
50		699200-56830	1	CAP ASSY, FREE			
51	+	610313-56830	1	PLATE, ADAPTER (U)			
52	+	699226-05430	1	HOLDER, BEARING			
53	+	900814-06202	1	BEARING, BALL 6202	6202ZZ		
54	+	699227-04630	1	NUT			
55	+	699228-08930	1	PLATE, COVER			
56	+	900141-05012	4	BOLT 5*12	5*12		
57		696001-44731	1	BLADE, 8-CUTTER 9IN	230*8T*1.4 PD25		
58		695001-44731	1	SAW, CIRCULAR 9*80T	230*80P*1.4 PD25		

d after)

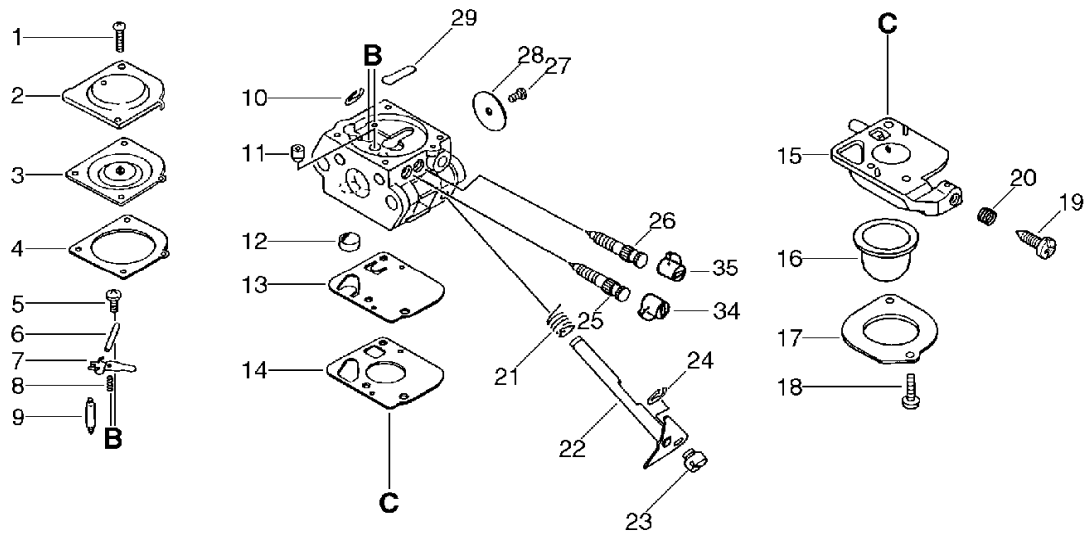


## 18. Carburetor



KEY	LV	PART NUMBER	Q'TY	DESCRIPTION	REMARKS	NOTE1	NOTE2
		125200-52432	1	CARBURETOR	C1U-K53A	Sus. by 125200-52433	
		125200-52433	1	CARBURETOR	C1U-K53B		
1	+	125344-52130	2	SCREW			
2	+	125342-13210	1	COVER, DIAPHRAGM		Sus. by 125342-52130	
2	+	125342-52130	1	COVER, DIAPHRAGM			
3	+	125341-49030	1	DIAPHRAGM			
4	+	125340-51030	1	GASKET, DIAPHRAGM			
5	+	125339-42030	1	SCREW			
6	+	125338-13930	1	PIN, METERING ARM			
7	+	125323-42030	1	LEVER, METERING			
8	+	125322-42030	1	SPRING, COIL		Sus. by 125322-11520	
8	+	125322-11520	1	SPRING, COIL			
9	+	125337-06960	1	VALVE, INLET NEEDLE			
10	+	125327-15130	1	CLIP			
11	+	P005-001050	1	NOZZLE, CHECK VALVE			
12	+	125326-42030	1	STRAINER			
13	+	125312-12820	1	DIAPHRAGM, FUEL PUMP			
14	+	125325-13310	1	GASKET, PUMP			
15	+	P005-000590	1	BASE, ASY PRIMER			
16	+	125381-08660	1	PUMP, PRIMING			
17	+	125363-11610	1	RING			
18	+	125310-11610	2	SCREW			
19	+	125334-06960	1	SCREW, THROTTLE ADJUST			

## 18. Carburetor



KEY	LV	PART NUMBER	Q'TY	DESCRIPTION	REMARKS	NOTE1	NOTE2
20	+	125333-06960	1	SPRING, IDLE ADJUSTER			
21	+	125313-42030	1	SPRING, THRT. RETURN			
22	+	P005-000390	1	SHAFT, THROTTLE			
23	+	125372-42030	1	SWIVEL			
24	+	125327-13930	1	CLIP			
25	+	125320-52430	1	NEEDLE, HIGH SPEED		Sr/Nr 35007042 and before	
25	+	P005-001710	1	SCREW, MAINN MIXTURE		Sr/Nr 36000001 and after	
26	+	125318-52430	1	NEEDLE, IDLE		Sr/Nr 35007042 and before	
26	+	P005-001720	1	SCREW, IDLE MIXTURE		Sr/Nr 36000001 and after	
27	+	125314-13930	1	SCREW	3*4		
28	+	125316-49030	1	VALVE, THROTTLE			
29	+	125345-15130	1	PLUG, WELCH			
34		A259-000030	1	CAP, LIMITER		Sr/Nr 36000001 and after	
35		125329-09860	1	LIMITER, MIXTURE		Sr/Nr 36000001 and after	

## 19. Repair Kit

KEY	LV	PART NUMBER	Q'TY	DESCRIPTION	REMARKS	NOTE1	NOTE2
		125303-13310	1	DIAPHRAGM/GASKET KIT			
10-3	+	125341-49030	1	DIAPHRAGM			
10-4	+	125340-51030	1	GASKET, DIAPHRAGM			
10-13	+	125312-12820	1	DIAPHRAGM, FUEL PUMP			
10-14	+	125325-13310	1	GASKET, PUMP			
		125300-13310	1	REBUILD KIT		Sus. by P005-001810	
		P005-001810	1	REBUILD KIT			
10-3	+	125341-49030	1	DIAPHRAGM			
10-4	+	125340-51030	1	GASKET, DIAPHRAGM			
10-6	+	125338-13930	1	PIN, METERING ARM			
10-7	+	125323-42030	1	LEVER, METERING			
10-8	+	125322-42030	1	SPRING, COIL		Sus. by 125322-11520	
10-8	+	125322-11520	1	SPRING, COIL			
10-9	+	125337-06960	1	VALVE, INLET NEEDLE			
10-12	+	125326-42030	1	STRAINER			
10-13	+	125312-12820	1	DIAPHRAGM, FUEL PUMP			
10-14	+	125325-13310	1	GASKET, PUMP			
10-29	+	125345-15130	1	PLUG, WELCH			

**Index**

<b>Patrs Number</b>	<b>Key No.</b>	<b>Patrs Number</b>	<b>Key No.</b>	<b>Patrs Number</b>	<b>Key No.</b>
100000-09563	1 - 4	125326-42030	19 - 10-12	145862-40630	7 - 24
100000-09563	2 - 4	125327-13930	18 - 24	145862-52130	7 - 24
100011-09560	1 - 5	125327-15130	18 - 10	145863-42030	7 - 28
100011-09560	2 - 5	125329-09860	18 - 35	145866-42031	7 - 26
100013-11520	1 - 6	125333-06960	18 - 20	145876-42030	7 - 27
100013-11520	2 - 6	125334-06960	18 - 19	150112-42030	3 - 21
100014-11520	1 - 8	125337-06960	18 - 9	150112-42030	4 - 21
100014-11520	2 - 8	125337-06960	19 - 10-9	156601-52130	3 - 20
100015-04630	1 - 7	125338-13930	18 - 6	156601-52130	4 - 20
100015-04630	2 - 7	125338-13930	19 - 10-6	159010-10230	3 - 24
100204-52131	1 - 11	125339-42030	18 - 5	159010-10230	4 - 24
100204-52131	2 - 11	125340-51030	18 - 4	159011-03432	3 - 23
100212-42031	1 - 12	125340-51030	19 - 10-4	159011-03432	4 - 23
100212-42031	2 - 12	125340-51030	19 - 10-4	159012-03433	3 - 22
100215-03930	1 - 13	125341-49030	18 - 3	159012-03433	4 - 22
100215-03930	2 - 13	125341-49030	19 - 10-3	159017-10230	3 - 24
100242-42030	1 - 15	125341-49030	19 - 10-3	159112-09960	11 - 13
100242-42030	2 - 15	125342-13210	18 - 2	159112-09961	11 - 13
101010-44332	1 - 3	125342-52130	18 - 2	159112-09961	12 - 13
101010-44332	2 - 3	125344-52130	18 - 1	159112-09961	13 - 13
101011-08961	1 - 1	125345-15130	18 - 29	162010-52830	3 - 18
101011-08961	2 - 1	125345-15130	19 - 10-29	163400-49230	14 - 18
101514-42031	1 - 19	125363-11610	18 - 17	163400-49230	15 - 18
101514-42031	2 - 19	125372-42030	18 - 23	163401-49230	11 - 9
125200-52432	18 -	125381-08660	18 - 16	175000-52733	3 - 13
125200-52432	7 - 6	130010-42032	7 - 1	175000-52733	4 - 13
125200-52433	18 -	130016-42031	7 - 5	175000-52734	4 - 13
125200-52433	7 - 6	130017-42031	7 - 4	175018-52131	3 - 14
125300-13310	19 -	130111-00530	8 - 8	175018-52131	4 - 14
125303-13310	19 -	130301-04560	7 - 8	177200-42033	5 - 5
125310-11610	18 - 18	130302-50630	7 - 15	177200-42033	6 - 5
125312-12820	18 - 13	130310-04560	7 - 14	177202-44331	5 - 1
125312-12820	19 - 10-13	130336-52130	7 - 18	177202-44331	6 - 1
125312-12820	19 - 10-13	130410-44730	7 - 12	177215-44430	5 - 7
125313-42030	18 - 21	130415-40630	7 - 17	177215-44430	6 - 7
125314-13930	18 - 27	131004-55530	8 - 4	177218-44330	5 - 3
125316-49030	18 - 28	131005-44332	8 - 1	177218-44330	6 - 3
125318-52430	18 - 26	131016-55830	8 - 5	177220-42030	5 - 11
125320-52430	18 - 25	131051-56030	8 - 6	177220-42030	6 - 11
125322-11520	18 - 8	131205-07320	8 - 12	177226-10120	5 - 8
125322-11520	19 - 10-8	131300-56430	8 - 7	177226-10120	6 - 8
125322-42030	18 - 8	131312-44330	8 - 9	177227-42030	5 - 9
125322-42030	19 - 10-8	132010-13930	8 - 14	177227-42030	6 - 9
125323-42030	18 - 7	132010-56330	8 - 13	177228-06530	5 - 10
125323-42030	19 - 10-7	132013-09820	8 - 11	177228-06530	6 - 10
125325-13310	18 - 14	132115-46730	8 - 10	177234-12220	5 - 2
125325-13310	19 - 10-14	145631-42030	7 - 31	177234-12220	6 - 2
125325-13310	19 - 10-14	145803-52131	7 - 21	177236-44330	5 - 6
125326-42030	18 - 12	145820-52130	7 - 23	177236-44330	6 - 6

**Index**

<b>Patrs Number</b>	<b>Key No.</b>	<b>Patrs Number</b>	<b>Key No.</b>	<b>Patrs Number</b>	<b>Key No.</b>
178013-52630	14 - 22	610352-56830	17 - 8	898523-47130	16 - 31
178013-52630	15 - 22	610400-52131	16 - 1	899580-68730	9 - 5
178043-42230	14 - 29	610400-52132	16 - 1	900100-05018	14 - 12
178043-42230	15 - 29	610434-50031	16 - 22	900100-05018	15 - 12
178090-52631	14 - 23	610434-50031	17 - 22	900105-05012	11 - 40
178090-52632	14 - 23	610444-56830	16 - 12	900105-05055	7 - 29
178090-52632	15 - 23	610444-56830	17 - 12	900141-05012	16 - 56
178127-47530	11 - 14	610473-52131	16 - 20	900141-05012	17 - 56
178127-54530	14 - 8	610473-52131	17 - 20	900162-04022	3 - 19
178127-54530	15 - 8	610922-55931	3 - 2	900162-04022	4 - 19
178510-48830	7 - 7	695001-44730	16 - 58	900162-05022	1 - 2
178515-04560	7 - 10	695001-44731	16 - 58	900162-05022	2 - 2
178516-00830	7 - 11	695001-44731	17 - 58	900162-05025	14 - 17
178810-05230	7 - 9	696001-44730	16 - 57	900162-05025	9 - 23
224924-52130	11 - 41	696001-44731	16 - 57	900162-05028	1 - 16
224924-52130	12 - 41	696001-44731	17 - 57	900162-05028	2 - 16
224924-52130	13 - 41	699012-03330	14 - 14	900162-05028	3 - 3
301000-55230	14 - 20	699012-03330	15 - 14	900162-05030	11 - 23
301000-55231	14 - 20	699013-56830	10 - 22	900162-06025	16 - 24
301000-55231	15 - 20	699013-56830	9 - 22	900220-05030	11 - 3
301001-56831	11 - 42	699200-56830	16 - 50	900220-05030	12 - 3
301015-05330	11 - 38	699200-56830	17 - 50	900238-04010	7 - 25
301015-05330	12 - 38	699226-05430	16 - 52	900238-04010	7 - 25
301015-05330	13 - 38	699226-05430	17 - 52	900238-04012	1 - 20
301200-21330	11 - 37	699227-04630	16 - 54	900238-04012	2 - 20
301200-21330	12 - 39	699227-04630	17 - 54	900238-04016	1 - 22
301200-21330	13 - 39	699228-08930	16 - 55	900238-04016	2 - 22
301205-21330	11 - 39	699228-08930	17 - 55	900238-04016	3 - 6
301207-08930	14 - 13	699229-56830	16 - 3	900238-04016	4 - 6
301207-08930	15 - 13	699229-56830	17 - 3	900238-04016	5 - 15
301305-24330	14 - 21	890118-49130	5 - 16	900238-04016	6 - 15
301305-24330	15 - 21	890118-49130	6 - 16	900238-05010	15 - 37
305110-42030	8 - 3	890121-47530	7 - 19	900238-05020	7 - 3
605014-54230	11 - 21	890152-04930	11 - 43	900242-05010	16 - 23
605014-54230	12 - 21	890152-04930	12 - 43	900242-05010	17 - 23
605014-54230	13 - 21	890152-04930	13 - 43	900242-05018	10 - 17
610281-54130	14 - 5	890152-04930	14 - 36	900242-05018	9 - 17
610281-54130	15 - 5	890152-04930	15 - 36	900242-05025	14 - 27
610300-25531	16 - 15	890617-43130	11 - 31	900242-05025	15 - 27
610300-25531	17 - 15	890617-43130	12 - 31	900242-05035	14 - 3
610310-56830	16 - 14	890617-43130	13 - 31	900242-05035	14 - 28
610310-56830	17 - 14	890617-43130	14 - 1	900242-05035	15 - 3
610313-56830	16 - 51	890617-43130	15 - 1	900242-05035	15 - 28
610313-56830	17 - 51	895610-00130	10 - 1	900242-05057	7 - 13
610314-52130	16 - 4	895610-00130	9 - 1	900243-05016	8 - 2
610314-52130	17 - 4	897518-01131	10 - 4	900252-05012	10 - 13
610320-52130	16 - 2	897518-01131	9 - 4	900252-05012	9 - 13
610320-52130	17 - 2	898510-39130	10 - 6	900253-04016	11 - 2
610352-56830	16 - 8	898510-39130	9 - 6	900253-04016	12 - 2

**Index**

<b>Patrs Number</b>	<b>Key No.</b>	<b>Patrs Number</b>	<b>Key No.</b>	<b>Patrs Number</b>	<b>Key No.</b>
900253-04025	14 - 6	900858-06900	16 - 26	C423-000041	12 - 22
900253-04025	15 - 6	900858-06900	17 - 26	C423-000041	13 - 22
900256-04016	13 - 45	91118-05025	10 - 23	C450-000022	11 - 7
900500-00005	11 - 4	91118-05025	15 - 17	C450-000022	12 - 7
900500-00005	12 - 4	91118-05028	4 - 3	C450-000110	14 - 30
900500-00005	13 - 47	91118-05030	12 - 23	C450-000110	15 - 30
900500-00005	14 - 4	91118-05030	13 - 23	C450-000270	13 - 50
900500-00005	14 - 26	91118-06025	17 - 24	C460-000011	11 - 5
900500-00005	15 - 4	91119-05012	12 - 40	C460-000011	12 - 5
900500-00005	15 - 26	91119-05012	13 - 40	C460-000110	13 - 48
900500-00005	7 - 2	91119-05030	13 - 46	C461-000000	14 - 31
900502-00006	11 - 16	94035-36201	1 - 14	C461-000000	15 - 31
900502-00006	12 - 16	94035-36201	2 - 14	C461-000010	14 - 33
900502-00006	13 - 16	A011-000101	1 - 9	C461-000010	15 - 33
900502-00006	14 - 10	A011-000101	2 - 9	C463-000000	11 - 10
900502-00006	15 - 10	A172-000400	3 - 7	C463-000000	12 - 10
900565-00005	10 - 16	A172-000400	4 - 7	C463-000020	13 - 52
900565-00005	9 - 16	A259-000030	18 - 34	C504-000050	11 - 34
900565-50008	11 - 24	A320-000250	7 - 31	C504-000050	12 - 34
900565-50008	12 - 24	A320-000251	7 - 31	C504-000050	13 - 34
900565-50008	13 - 24	A409-000000	3 - 15	C504-000050	14 - 7
900600-00005	7 - 30	A409-000000	4 - 15	C504-000050	15 - 7
900603-50008	16 - 21	A440-000320	15 - 18	C535-000000	16 - 7
900603-50008	17 - 21	A440-000580	11 - 9	C535-000001	16 - 7
900701-00012	3 - 4	A440-000580	12 - 9	C535-000001	17 - 7
900701-00012	4 - 4	A440-001040	15 - 18	C535-000010	16 - 9
900702-00022	16 - 27	A556-000260	3 - 10	C535-000011	16 - 9
900702-00022	17 - 27	A556-000260	4 - 10	C535-000011	17 - 9
900702-00032	16 - 10	A575-000110	3 - 2	C550-000080	10 - 11
900702-00032	17 - 10	A575-000110	4 - 2	C550-000080	9 - 11
900702-00032	3 - 9	C050-000320	11 - 32	C550-000090	10 - 21
900702-00032	4 - 9	C050-000320	12 - 32	C550-000090	9 - 21
900702-00042	3 - 1	C050-000320	13 - 32	C550-000100	10 - 15
900702-00042	4 - 1	C050-000320	14 - 35	C550-000100	9 - 15
900706-00010	16 - 28	C050-000320	15 - 35	C554-000000	10 - 12
900706-00010	17 - 28	C062-000180	11 - 42	C554-000000	9 - 12
900720-00004	7 - 16	C062-000181	11 - 42	P005-000390	18 - 22
900720-00012	16 - 5	C062-000181	12 - 42	P005-000590	18 - 15
900720-00012	17 - 5	C062-000182	12 - 42	P005-001050	18 - 11
900810-00626	16 - 16	C062-000182	13 - 42	P005-001710	18 - 25
900810-00626	17 - 16	C400-000210	11 - 33	P005-001720	18 - 26
900812-06201	16 - 13	C400-000211	11 - 33	P005-001810	19 -
900812-06201	17 - 13	C400-000211	12 - 33	P021-002611	11 - 1
900814-06201	3 - 8	C400-000211	13 - 33	P021-002612	11 - 1
900814-06201	4 - 8	C403-000030	11 - 30	P021-002612	12 - 1
900814-06202	16 - 53	C403-000031	11 - 30	P021-002620	10 - 10
900814-06202	17 - 53	C403-000031	12 - 30	P021-002620	9 - 10
900855-06900	16 - 25	C403-000031	13 - 30	P021-002751	11 - 19
900855-06900	17 - 25	C423-000041	11 - 22	P021-002861	10 - 5



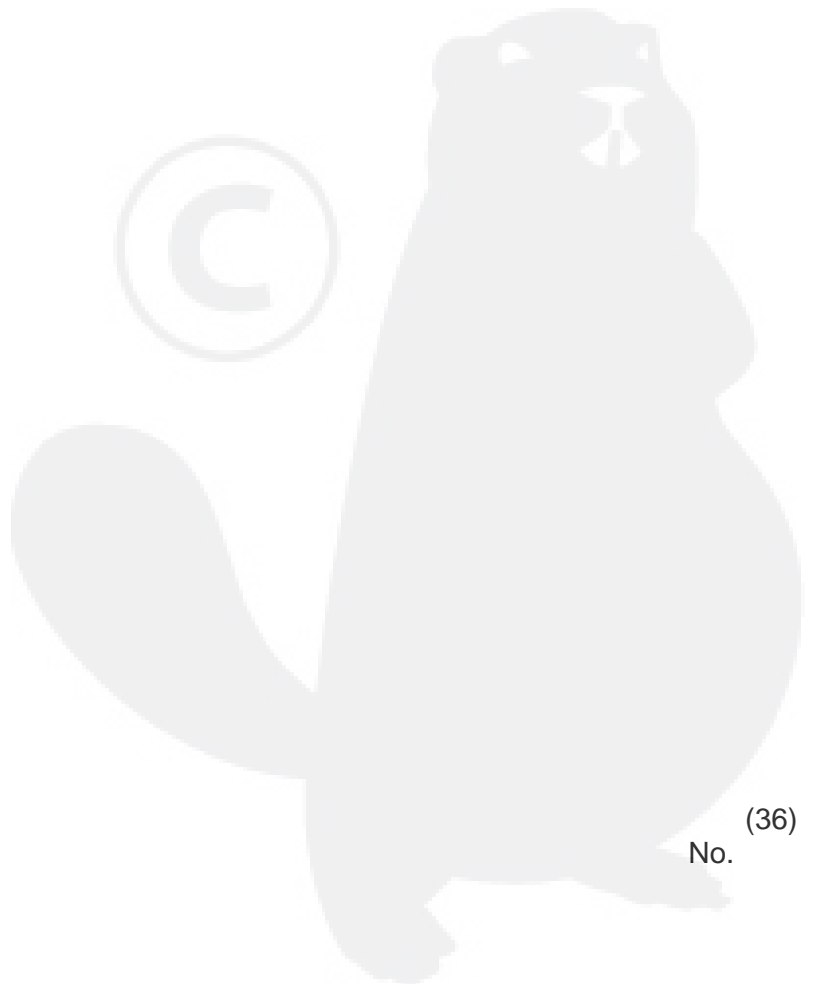
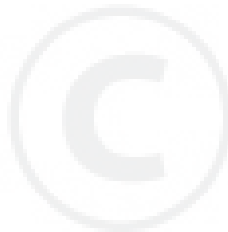
**Index**

<b>Patrs Number</b>	<b>Key No.</b>	<b>Patrs Number</b>	<b>Key No.</b>	<b>Patrs Number</b>	<b>Key No.</b>
P021-002861	9 - 5	V452-000130	12 - 6		
P021-005940	14 - 2	V452-000350	13 - 49		
P021-005940	15 - 2	V452-000360	13 - 51		
P021-005950	14 - 16	V471-001190	8 - 14		
P021-005960	14 - 25	V471-001200	8 - 9		
P021-005960	15 - 25	V475-003400	11 - 14		
P021-007470	16 - 31	V475-003400	12 - 14		
P021-007470	17 - 31	V475-004030	15 - 8		
P021-008360	7 - 21	V485-000580	3 - 18		
P021-012600	17 - 1	V485-000580	4 - 18		
P021-012630	15 - 16	V553-000010	1 - 10		
P021-012820	12 - 19	V553-000010	2 - 10		
P021-012820	13 - 19	X047-000260	16 - 40		
P021-013000	12 - 37	X047-000260	17 - 40		
P021-013000	13 - 37	X405-000010	16 - 30		
P021-014090	13 - 44	X405-000011	16 - 30		
P021-015260	13 - 53	X405-000011	17 - 30		
P022-000710	16 - 48	X505-000140	14 - 1		
P022-000710	17 - 48	X543-000370	1 - 21		
P022-001220	16 - 43	X543-000370	2 - 21		
P022-001220	17 - 43	X602-000020	10 - 3		
P022-001250	16 - 44	X602-000020	9 - 3		
P022-001250	17 - 44	X690-000030	9 - 5		
P022-001260	16 - 46				
P022-001260	17 - 46				
P022-003310	16 - 42				
P022-003310	17 - 42				
P022-003330	16 - 47				
P022-003330	17 - 47				
P022-006190	16 - 45				
P022-006190	17 - 45				
V104-000160	7 - 22				
V299-000110	11 - 20				
V299-000110	12 - 20				
V299-000110	13 - 20				
V332-000000	16 - 41				
V332-000000	17 - 41				
V420-000960	14 - 15				
V420-000960	15 - 15				
V430-000410	11 - 15				
V430-000410	12 - 15				
V430-000920	14 - 9				
V430-000920	15 - 9				
V430-002060	13 - 55				
V452-000060	11 - 8				
V452-000060	12 - 8				
V452-000120	14 - 32				
V452-000120	15 - 32				
V452-000130	11 - 6				

# YAMABIKO CORPORATION

7-2 SUEHIROCHO 1-CHOME, OHME, TOKYO 198-8760, JAPAN  
PHONE: 81-428-32-6118. FAX: 81-428-32-6145.

**ECHO**<sup>®</sup>



(36)  
No.