



PARTS CATALOG

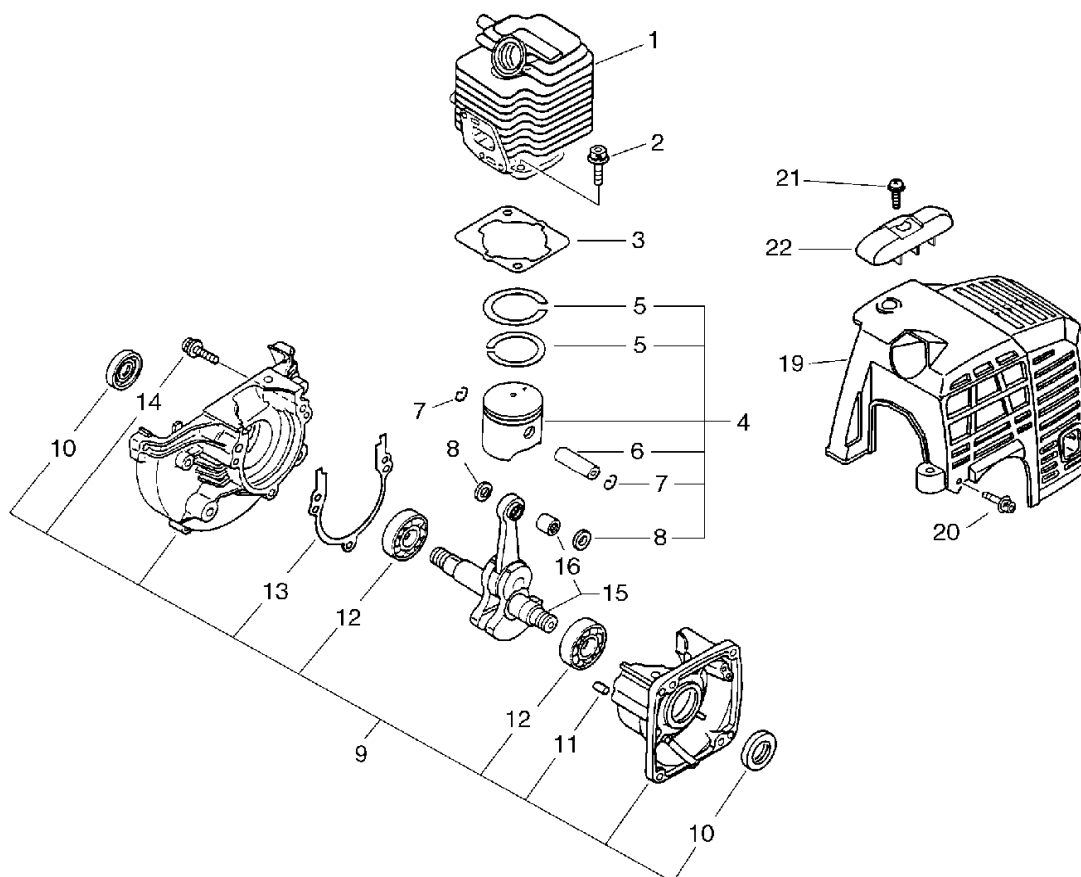
GRASS-TRIMMER / BRUSHCUTTER

SRM-2050

SRM-2050

1. Cylinder, Crankcase, Piston

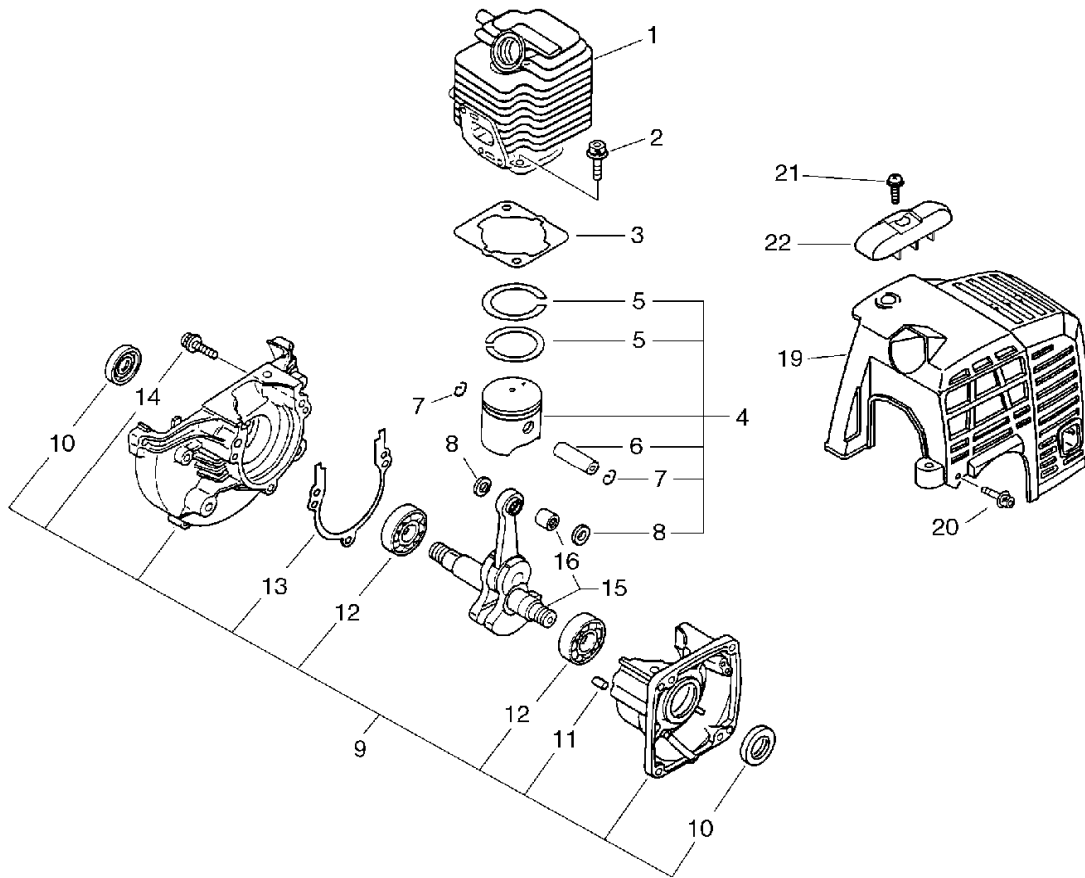
No.1



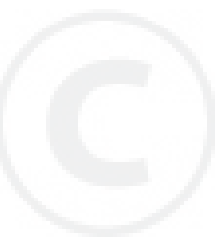
KEY	LV	PART NUMBER	Q'TY	DESCRIPTION	REMARKS	NOTE1	NOTE2
1		A130-000011	1	CYLINDER			
2		900162-05022	2	BOLT, H.S. 5*22	5*22 W,SW		
3		101010-44332	1	GASKET, CYL. BASE			
4		P021-001101	1	PISTON KIT		Sus. by P021-001102	
4		P021-001102	1	PISTON KIT			
5	+	A101-000000	2	RING,PISTON			
6	+	100013-11520	1	PIN, PISTON			
7	+	100015-04630	2	CIRCLIP, PISTON PIN			
8	+	100014-11520	2	SPACER, PISTON PIN			
9		100204-52131	1	CRANKCASE KIT		Sus. by 100204-52132	
9		100204-52132	1	CRANKCASE KIT			
10	+	100212-42031	2	OILSEAL	ISCD 12*22*4.5		
11	+	100215-03930	2	PIN, DOWEL			
12	+	94035-36201	2	BEARING BALL	6201X3JR2C3		
13	+	100242-42030	1	GASKET, CRANKCASE			
14	+	900162-05028	3	BOLT, H.S. 5*28	5*28 W,SW		
15		A011-000001	1	CRANKSHAFT,ASM		Sus. by A011-000002	
15		A011-000002	1	CRANKSHAFT,ASM			
16	+	V553-000010	1	BEARING,NEEDLE 8	HK0810		
19		101514-48930	1	COVER, CYLINDER			
20		900238-04016	2	SCREW 4*16	4*16		
21		900253-05020	1	SCREW 5*20	5*20		

1. Cylinder, Crankcase, Piston

No.1

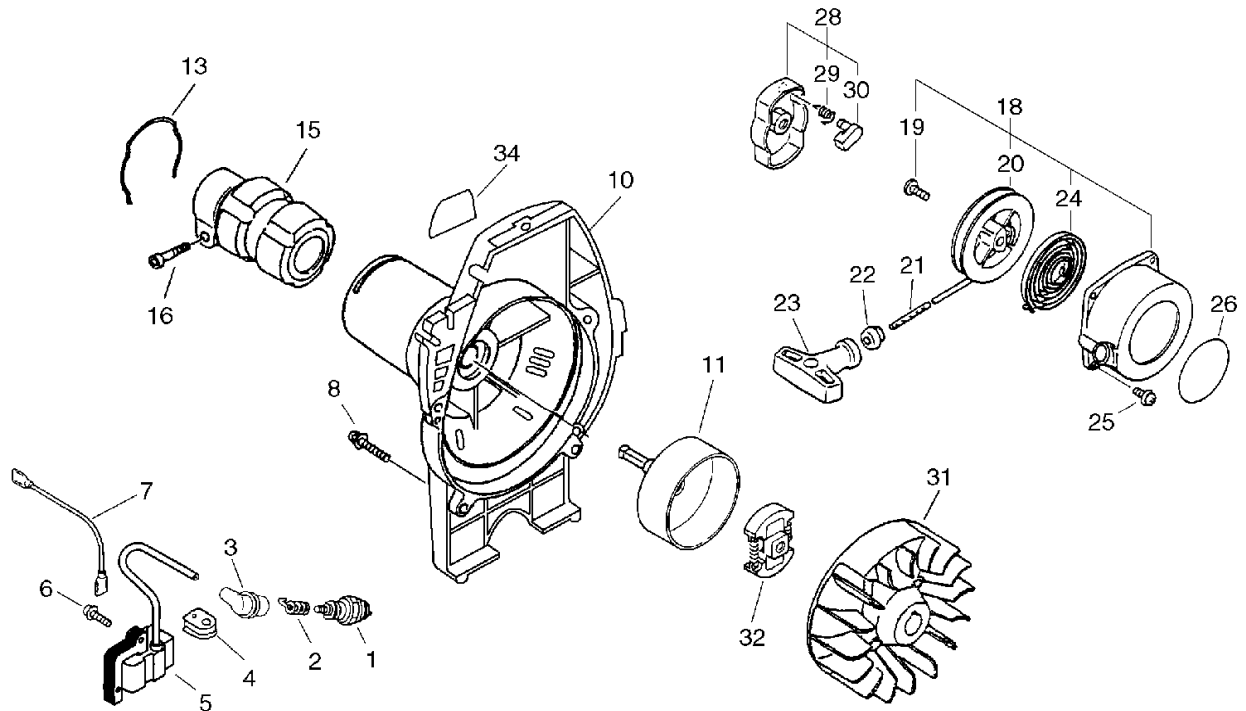


KEY	LV	PART NUMBER	Q'TY	DESCRIPTION	REMARKS	NOTE1	NOTE2
22		A162-000060	1	GUARD, TOP			



2. Fan Cover, Starter, Magneto, Clutch

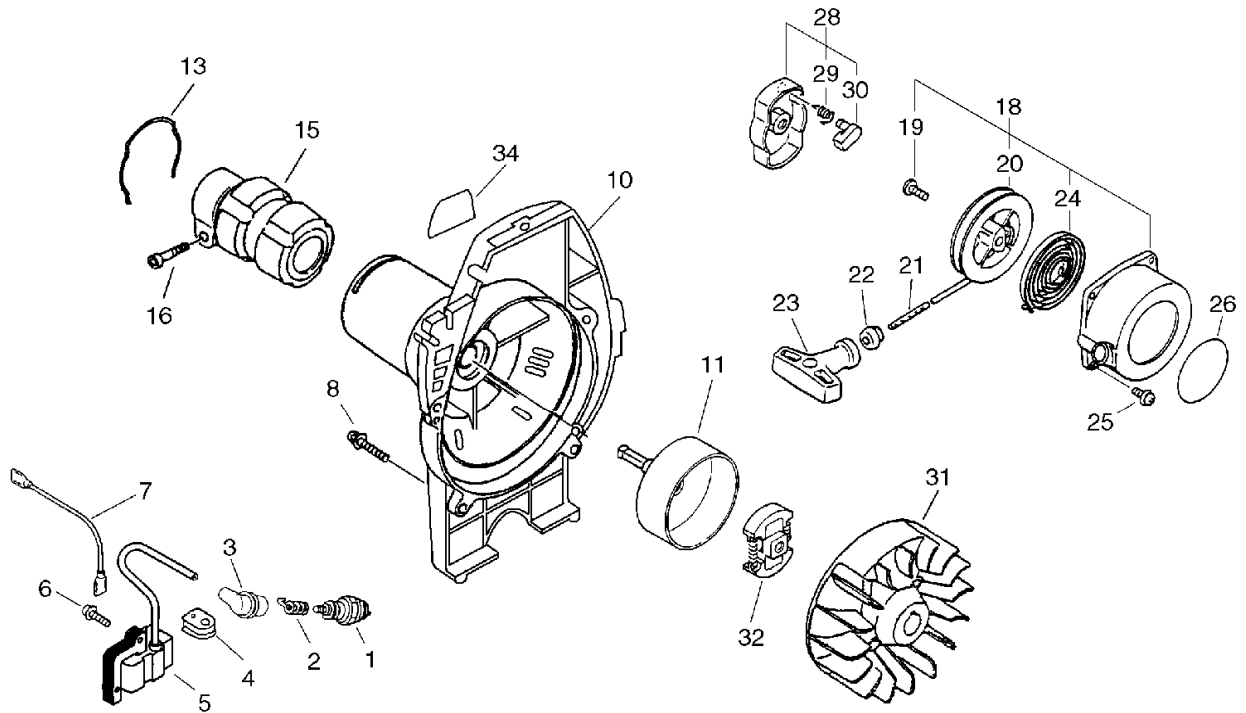
No.2



KEY	LV	PART NUMBER	Q'TY	DESCRIPTION	REMARKS	NOTE1	NOTE2
1		159017-10230	1	PLUG, SPARK (RCJ-7Y)	RCJ-7Y		
2		159011-03432	1	COIL, SPARK PLUG			
3		159012-03433	1	CAP, SPARK PLUG			
4		156112-40630	1	GROMMET			
5		156601-52130	1	COIL, IGNITION			
6		900162-04022	2	BOLT, H.S. 4*22	4*22 W,SW		
7		162010-52830	1	LEAD, GROUND			
8		91363-04016	4	SCREW	SMB-4*16/W,SW		
10		A172-000340	1	COVER,FAN			
11		175005-44331	1	DRUM, CLUTCH			
13		660316-55630	1	CLIP			
15		610922-55931	1	HOLDER, MAIN PIPE			
16		900162-05028	1	BOLT, H.S. 5*28	5*28 W,SW		
18		177200-42033	1	STARTER ASSY			
19	+	177236-44330	1	SCREW			
20	+	177215-44430	1	DRUM, STARTER			
21	+	177226-10120	1	ROPE, STARTER	3.0*1000		
22	+	177227-42030	1	GUIDE, ROPE			
23	+	177228-06530	1	GRIP, STARTER			
24	+	177220-42030	1	SPRING, REWIND			
25		900238-04016	2	SCREW 4*16	4*16		
26		890118-49130	1	LABEL, ECHO			
28		177202-44331	1	PAWL ASM., STARTER			
29	+	177234-42030	1	SPRING, RETURN			
30	+	177218-44330	1	PAWL, STARTER	BLACK		

2. Fan Cover, Starter, Magneto, Clutch

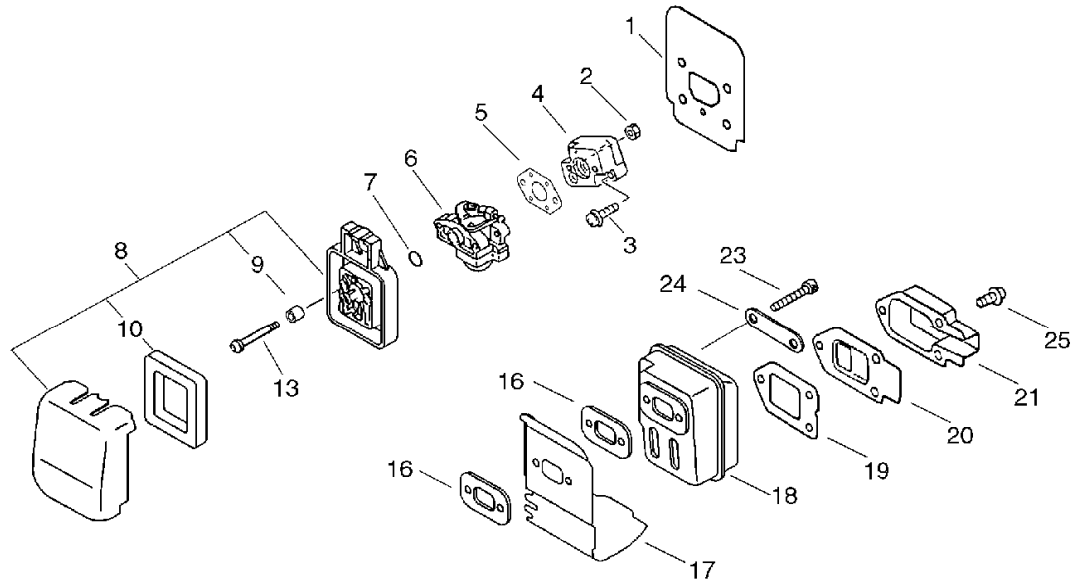
No.2



KEY	LV	PART NUMBER	Q'TY	DESCRIPTION	REMARKS	NOTE1	NOTE2
31		A409-000000	1	ROTOR,MAGNETO			
32		175000-56830	1	CLUTCH ASSY			
34		X543-000360	1	LABEL,MODEL	SRM-2050		

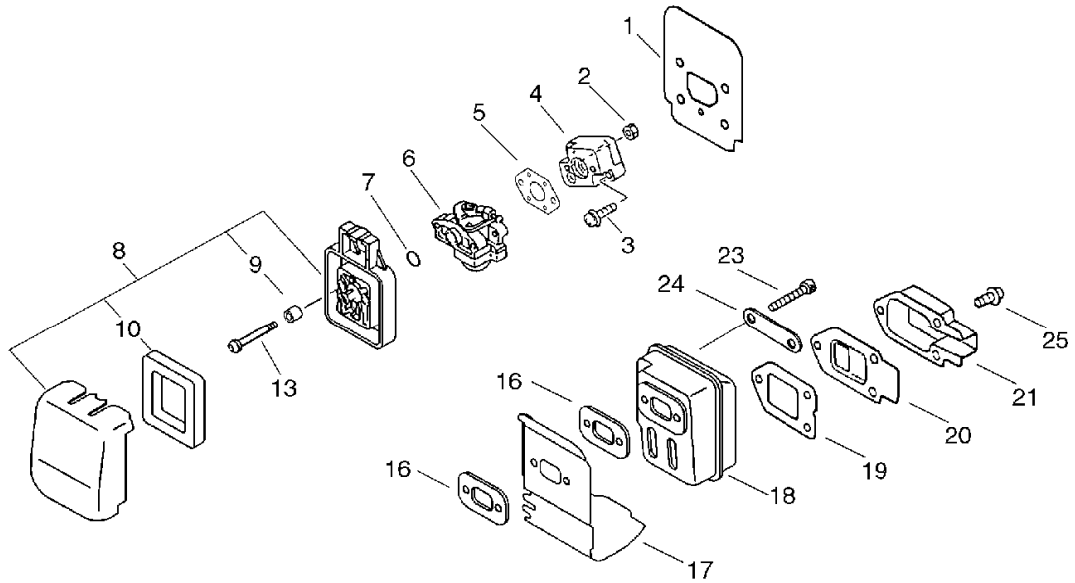
3. Air Cleaner, Muffler

No.3



KEY	LV	PART NUMBER	Q'TY	DESCRIPTION	REMARKS	NOTE1	NOTE2
1		130010-42032	1	GASKET,INTAKE			
2		900500-00005	2	NUT 5	5		
3		900238-05020	2	SCREW 5*20	5*20		
4		130017-44330	1	INSULATOR			
5		130010-13410	1	GASKET, INTAKE		Sus. by 130010-44431	
5		130010-44431	1	GASKET, INTAKE			
6		A021-000550	1	CARBURETOR,DIAPHRAGM	WYL-170		
7		900720-00015	1	O-RING 15	P-15		
8		A027-000010	1	CLEANER,ASM AIR			
9	+	130327-44330	1	SLEEVE			
10	+	130310-44330	1	FILTER, AIR			
13		900242-05064	2	SCREW 5*64	5*64		
16		V104-000160	2	GASKET,EXHAUST			
17		145631-42030	1	COVER, MUFFLER		Sus. by A320-000251	
17		A320-000240	1	COVER,MUFFLER		Sus. by A320-000251	
17		A320-000250	1	COVER,MUFFLER		Sus. by A320-000251	
17		A320-000251	1	COVER,MUFFLER			
18		A300-000040	1	MUFFLER,EXHAUST			
19		145866-42031	1	GASKET, MUFFLER LID			
20		145876-42030	1	LID, MUFFLER (B)			
21		145863-42030	1	HOLDER, SCREEN			
23		900105-05055	2	BOLT, H.S. 5*55	5*55		

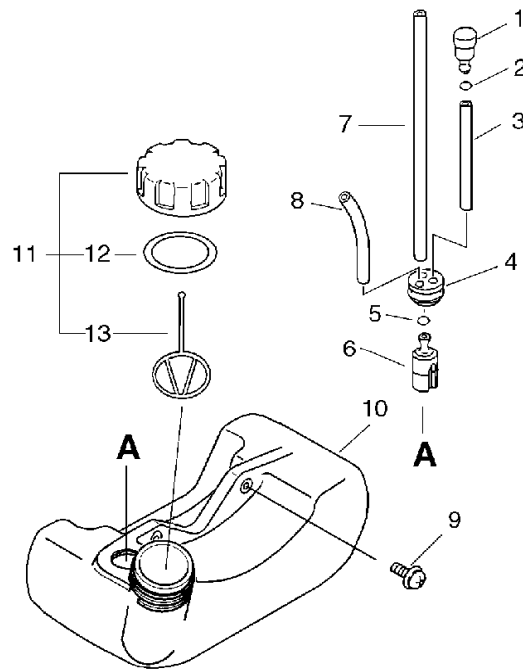
3. Air Cleaner, Muffler No.3



KEY	LV	PART NUMBER	Q'TY	DESCRIPTION	REMARKS	NOTE1	NOTE2
24		145642-04930	1	WASHER			
25		900242-04010	3	SCREW 4*10	4*10		

4. Fuel Tank

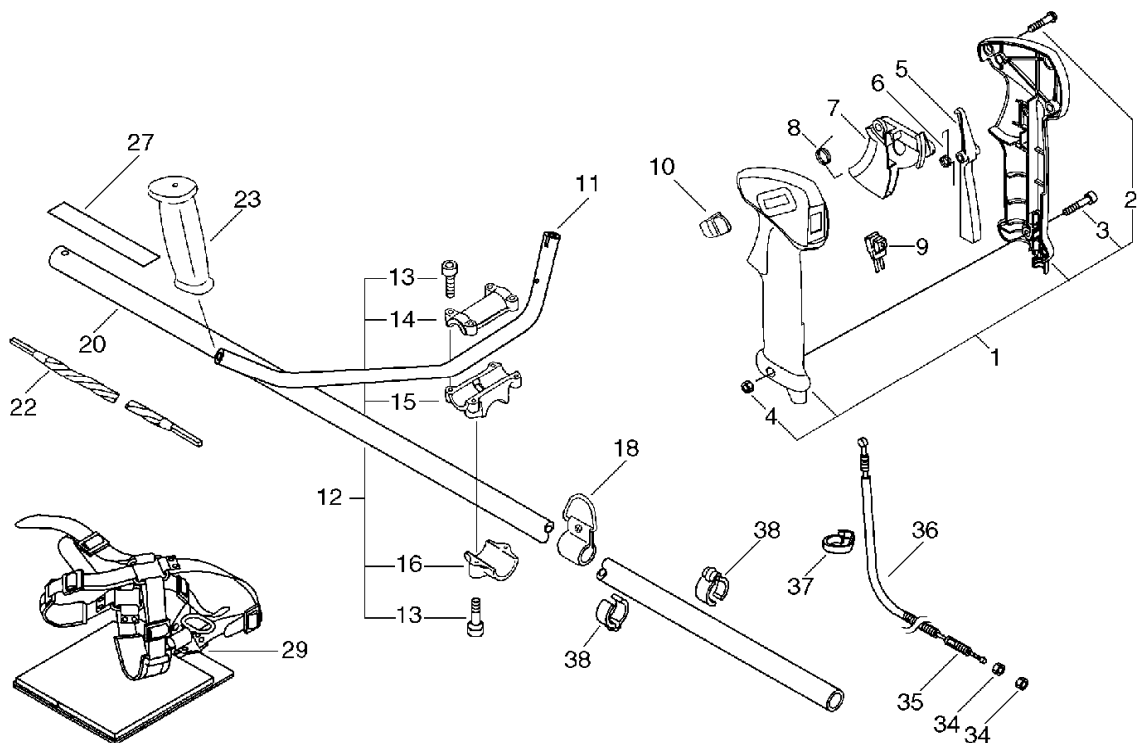
No.4



KEY	LV	PART NUMBER	Q'TY	DESCRIPTION	REMARKS	NOTE1	NOTE2
1		131300-56430	1	VALVE, CHECK			
2		130111-00530	1	CLIP	5.5		
3		131312-44330	1	PIPE, 3*5*70L	3*5*70L NBR	Sus. by V471-001200	
3		V471-001200	1	PIPE	3*5*70 NBR		
4		132115-46730	1	GROMMET, FUEL			
5		132013-09820	1	CLIP	6MM		
6		131205-07320	1	STRAINER, FUEL			
7		132010-13930	1	PIPE, FUEL	3*5*180L NBR	Sus. by V471-001190	
7		V471-001190	1	PIPE	3*5*180 NBR		
8		132717-50430	1	PIPE 3* 6* 70	3*6*70 YL		
9		900243-05016	2	SCREW 5*16	5*16		
10		A350-000031	1	TANK, FUEL			
11		131004-55530	1	CAP ASSY, FUEL TANK			
12	+	131016-55830	1	GASKET, FUEL CAP			
13	+	131051-56030	1	CLIP, FUEL CAP	100L		

5. U-Handle

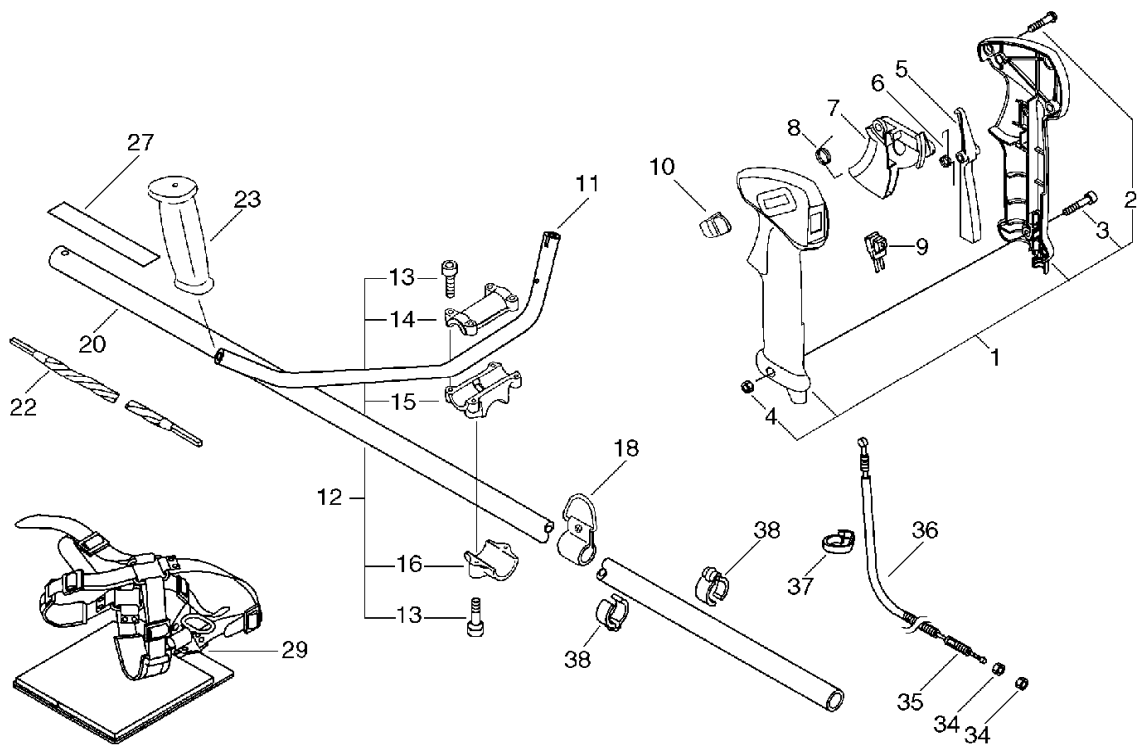
No.5



KEY	LV	PART NUMBER	Q'TY	DESCRIPTION	REMARKS	NOTE1	NOTE2
1		P021-002611	1	GRIP ASY,F-HANDLE		Sus. by P021-002612	
1		P021-002612	1	GRIP ASY,F-HANDLE			
2	+	900253-04016	3	SCREW 4*16	4*16		
3	+	900220-05030	1	SCREW 5*30	5*30		
4	+	900500-00005	1	NUT 5	5		
5		C460-000011	1	LOCKOUT,THROTTLE			
6		V452-000130	1	SPRING,TORSION			
7		C450-000022	1	TRIGGER,THROTTLE			
8		V452-000060	1	SPRING,TORSION			
9		163401-49230	1	SWITCH,IGNITION			
10		C463-000000	1	KNOB,LATCH			
11		C400-000210	1	HANDLE,FRONT	Uハンドル 19	Sus. by C400-000211	
11		C400-000211	1	HANDLE,FRONT			
12		351301-22333	1	BRACKET ASY, HANDLE			
13	+	900162-05025	6	BOLT, H.S. 5*25	5*25 W,SW		
14	+	351313-22332	1	BRACKET, HANDLE (U)			
15	+	351312-22331	1	BRACKET, HANDLE (C)			
16	+	351314-22332	1	BRACKET, HANDLE (L)			
18		301200-46830	1	HOOK, LIFTING			
20		610206-44730	1	HOUSING ASSY, D.SHFT			
22		610013-44730	1	SHAFT, FLEXIBLE			
23		C403-000030	1	GRIP,HANDLE		Sus. by C403-000031	
23		C403-000031	1	GRIP,HANDLE			

5. U-Handle

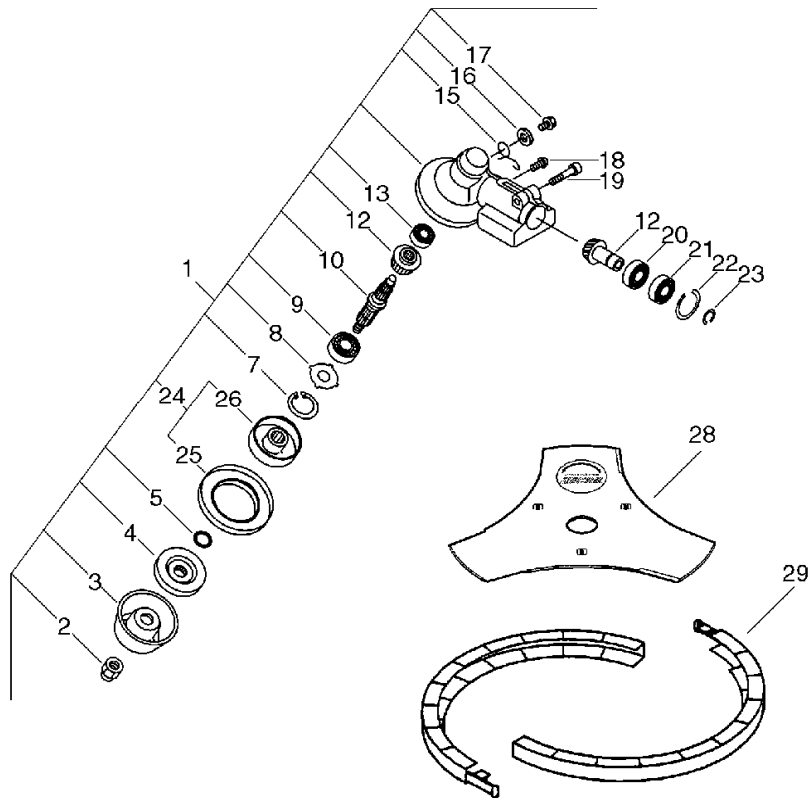
No.5



KEY	LV	PART NUMBER	Q'TY	DESCRIPTION	REMARKS	NOTE1	NOTE2
27		890617-43130	1	LABEL,CAUTION			
29		301001-44730	1	HARNESS ASSY		Sus. by 301001-44731	
29		301001-44731	1	HARNESS, SHOULDER	L1700,L1400		
34		900502-00006	2	NUT 6 (3N)	3N6		
35		V430-000410	1	CABLE,BOWDEN			
36		178127-47530	1	TUBE	7*10*760		
37		159112-09960	1	CLIP		Sus. by 159112-09961	
37		159112-09961	1	CLIP			
38		224924-52130	2	CLIP	25MM		

6. Gear Case, Blade

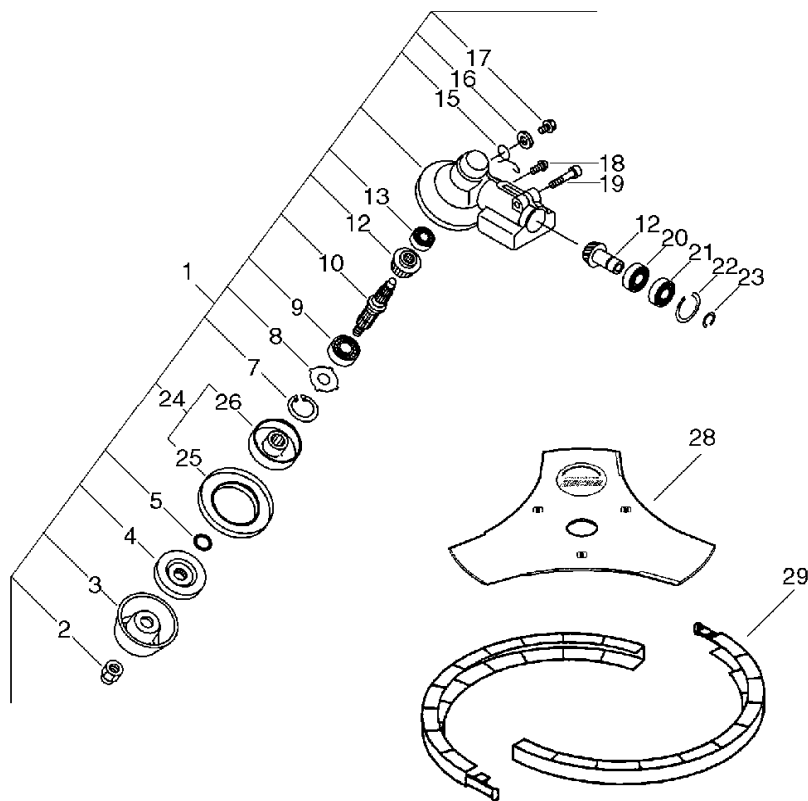
No.6



KEY	LV	PART NUMBER	Q'TY	DESCRIPTION	REMARKS	NOTE1	NOTE2
1		P021-005780	1	HOUSING ASY,GEAR		Sus. by P021-005781	
1		P021-005781	1	HOUSING ASY,GEAR			
2	+	610320-52130	1	NUT 10			
3	+	699229-56830	1	PLATE, COVER			
4	+	610314-52130	1	PLATE, ADAPTER (L)			
5	+	900720-00012	1	O-RING 12	P-12		
7	+	900702-00032	1	CIRCLIP 32	CR-32		
8	+	610444-56830	1	WASHER			
9	+	900812-06201	1	BEARING, BALL 6201	6201DDU(LLU)		
10	+	610310-56830	1	SHAFT, P.T.O.			
12	+	610300-42330	1	GEAR SET			
13	+	900810-00626	1	BEARING, BALL 626	626		
15	+	610473-52131	1	SPRING			
16	+	900603-50008	1	WASHER	8.5*18*0.8T		
17	+	610434-50031	1	BOLT 8*8	M8*8		
18	+	900242-05010	1	SCREW 5*10	5*10		
19	+	900162-06025	1	BOLT, H.S. 6*25	6*25 W,SW		
20	+	900855-06900	1	BEARING, BALL 6900	6900		
21	+	900858-06900	1	BEARING, BALL 6900Z	6900Z		
22	+	900702-00022	1	CIRCLIP 22	CR-22		
23	+	900706-00010	1	CIRCLIP 10	WR-10		
24	+	C535-000000	1	FIXTURE,BLADE		Sus. by C535-000001	
24	+	C535-000001	1	FIXTURE,BLADE			
25	++	610352-56830	1	PLATE, CUP			

6. Gear Case, Blade

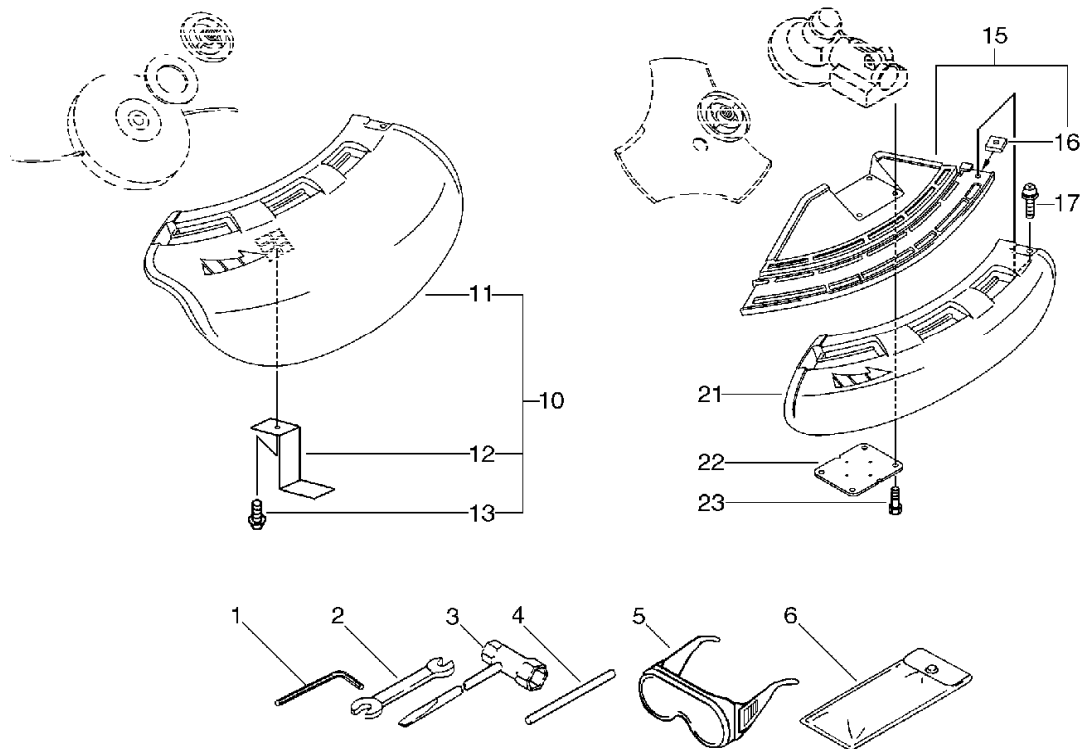
No.6



KEY	LV	PART NUMBER	Q'TY	DESCRIPTION	REMARKS	NOTE1	NOTE2
26	++	C535-000010	1	FIXTURE, BLADE		Sus. by C535-000011	
26	++	C535-000011	1	FIXTURE, BLADE			
28		X405-000010	1	SAW, BUSH CUTTER	3*230*25.4*T2.0	Sus. by X405-000011	
28		X405-000011	1	SAW, BUSH CUTTER	3*230*25.4*T2.0		
29		898523-47130	1	SCABBARD, BLADE		Sus. by P021-007470	
29		P021-007470	1	SCABBARD, BLADE			

7. Shield, Tools

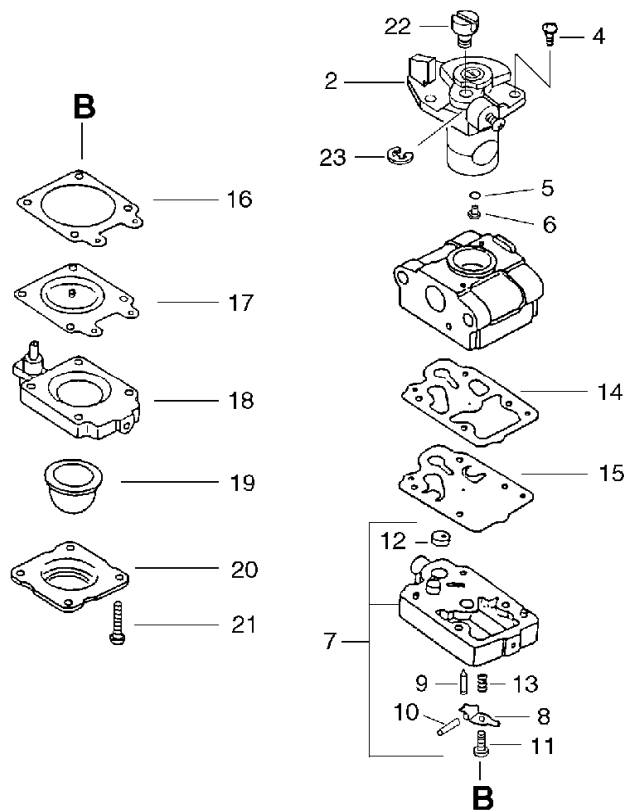
No.7



KEY	LV	PART NUMBER	Q'TY	DESCRIPTION	REMARKS	NOTE1	NOTE2
1		895610-00130	1	L-WRENCH (4MM)			
2		895112-00330	1	SPANNER 8*10			
3		X602-000020	1	TOOL,WRENCH	17*19 L200		
4		897518-01131	1	LOCKING TOOL			
5		899580-68730	1	SAFETY GLASSES		Sus. by P021-002861	
5		P021-002861	1	GOGGLES			
6		898510-05530	1	BAG, TOOL		Sus. by 898510-07130	
6		898510-07130	1	BAG, TOOL			
10		P021-002620	1	SHIELD,BLADE(W/KNIFE			
11	+	C550-000080	1	SHIELD,BLADE			
12	+	C554-000000	1	KNIFE,CORD			
13	+	900252-05012	1	SCREW 5*12	5*12		
15		C550-000100	1	SHIELD,BLADE			
16	+	900565-00005	1	NUT	5		
17		900242-05018	1	SCREW 5*18	5*18		
21		C550-000090	1	SHIELD,BLADE			
22		699013-56830	1	PLATE, SHIELD			
23		900162-05025	4	BOLT, H.S. 5*25	5*25 W,SW		

8. Carburetor

No.8



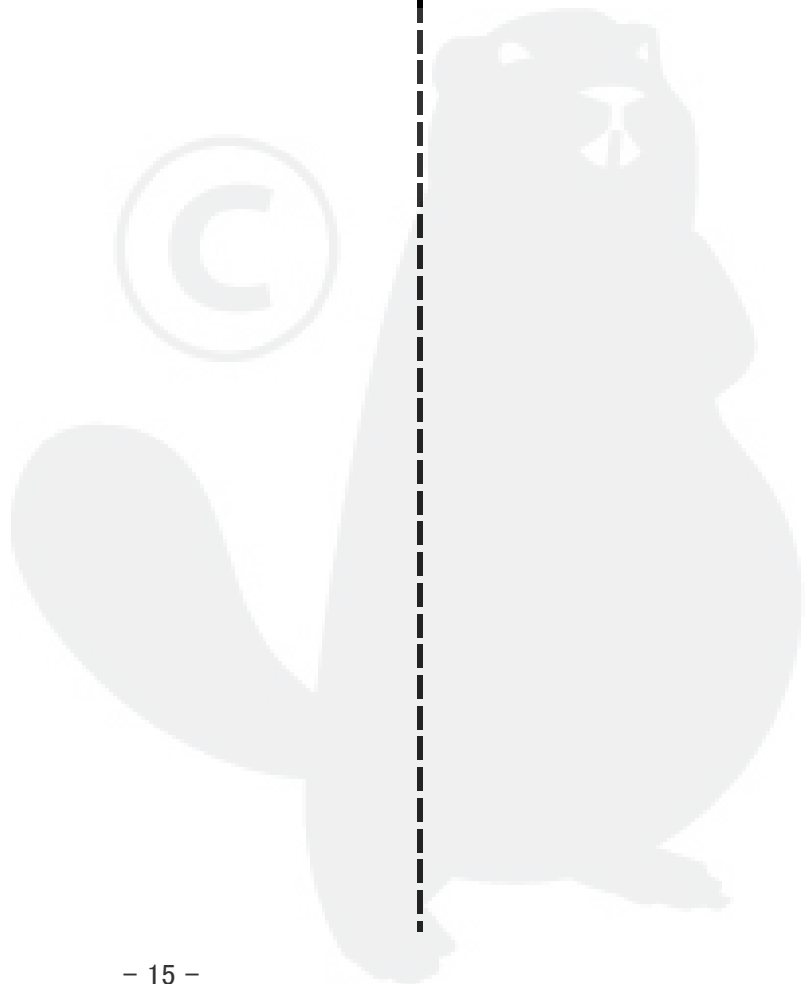
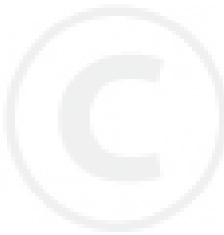
KEY	LV	PART NUMBER	Q'TY	DESCRIPTION	REMARKS	NOTE1	NOTE2
		A021-000550	1	CARBURETOR,DIAPHRAGM	WYL-170		
2	+	P003-000840	1	VALVE ASY THROTTLE			
4	+	123114-44330	2	SCREW			
5	+	123183-40630	1	O-RING			
6	+	123184-44330	1	JET #37	#37		
7	+	123179-05560	1	BODY ASSY, PUMP			
8	++	123123-03930	1	LEVER, METERING			
9	++	123137-19830	1	VALVE, INLET NEEDLE			
10	++	123138-03930	1	PIN, METERING LEVER			
11	++	123139-05560	1	SCREW, M. LEVER PIN			
12	++	123126-10631	1	SCREEN, INLET			
13	++	123122-05560	1	SPRING, METER. LEVER			
14	+	123125-40630	1	GASKET, PUMP			
15	+	123112-40630	1	DIAPHRAGM, PUMP			
16	+	123140-05560	1	GASKET, M. DIAPHRAGM			
17	+	P003-000090	1	METERING, DIAPHRAGM			
18	+	123180-05560	1	BODY, AIR PURGE			
19	+	123181-40630	1	PUMP, PRIMER			
20	+	123142-05560	1	COVER, PRIMER PUMP			
21	+	123110-05560	4	SCREW, PUMP COVER			
22	+	123172-45130	1	SWIVEL			
23	+	123173-07930	1	CLIP			

Index

Patrs Number	Key No.	Patrs Number	Key No.	Patrs Number	Key No.
100013-11520	1 - 6	145866-42031	3 - 19	895610-00130	7 - 1
100014-11520	1 - 8	145876-42030	3 - 20	897518-01131	7 - 4
100015-04630	1 - 7	156112-40630	2 - 4	898510-05530	7 - 6
100204-52131	1 - 9	156601-52130	2 - 5	898510-07130	7 - 6
100204-52132	1 - 9	159011-03432	2 - 2	898523-47130	6 - 29
100212-42031	1 - 10	159012-03433	2 - 3	899580-68730	7 - 5
100215-03930	1 - 11	159017-10230	2 - 1	900105-05055	3 - 23
100242-42030	1 - 13	159112-09960	5 - 37	900162-04022	2 - 6
101010-44332	1 - 3	159112-09961	5 - 37	900162-05022	1 - 2
101514-48930	1 - 19	162010-52830	2 - 7	900162-05025	5 - 13
123110-05560	8 - 21	163401-49230	5 - 9	900162-05025	7 - 23
123112-40630	8 - 15	175000-56830	2 - 32	900162-05028	1 - 14
123114-44330	8 - 4	175005-44331	2 - 11	900162-05028	2 - 16
123122-05560	8 - 13	177200-42033	2 - 18	900162-06025	6 - 19
123123-03930	8 - 8	177202-44331	2 - 28	900220-05030	5 - 3
123125-40630	8 - 14	177215-44430	2 - 20	900238-04016	1 - 20
123126-10631	8 - 12	177218-44330	2 - 30	900238-04016	2 - 25
123137-19830	8 - 9	177220-42030	2 - 24	900238-05020	3 - 3
123138-03930	8 - 10	177226-10120	2 - 21	900242-04010	3 - 25
123139-05560	8 - 11	177227-42030	2 - 22	900242-05010	6 - 18
123140-05560	8 - 16	177228-06530	2 - 23	900242-05018	7 - 17
123142-05560	8 - 20	177234-42030	2 - 29	900242-05064	3 - 13
123172-45130	8 - 22	177236-44330	2 - 19	900243-05016	4 - 9
123173-07930	8 - 23	178127-47530	5 - 36	900252-05012	7 - 13
123179-05560	8 - 7	224924-52130	5 - 38	900253-04016	5 - 2
123180-05560	8 - 18	301001-44730	5 - 29	900253-05020	1 - 21
123181-40630	8 - 19	301001-44731	5 - 29	900500-00005	3 - 2
123183-40630	8 - 5	301200-46830	5 - 18	900500-00005	5 - 4
123184-44330	8 - 6	351301-22333	5 - 12	900502-00006	5 - 34
130010-13410	3 - 5	351312-22331	5 - 15	900565-00005	7 - 16
130010-42032	3 - 1	351313-22332	5 - 14	900603-50008	6 - 16
130010-44431	3 - 5	351314-22332	5 - 16	900702-00022	6 - 22
130017-44330	3 - 4	610013-44730	5 - 22	900702-00032	6 - 7
130111-00530	4 - 2	610206-44730	5 - 20	900706-00010	6 - 23
130310-44330	3 - 10	610300-42330	6 - 12	900720-00012	6 - 5
130327-44330	3 - 9	610310-56830	6 - 10	900720-00015	3 - 7
131004-55530	4 - 11	610314-52130	6 - 4	900810-00626	6 - 13
131016-55830	4 - 12	610320-52130	6 - 2	900812-06201	6 - 9
131051-56030	4 - 13	610352-56830	6 - 25	900855-06900	6 - 20
131205-07320	4 - 6	610434-50031	6 - 17	900858-06900	6 - 21
131300-56430	4 - 1	610444-56830	6 - 8	91363-04016	2 - 8
131312-44330	4 - 3	610473-52131	6 - 15	94035-36201	1 - 12
132010-13930	4 - 7	610922-55931	2 - 15	A011-000001	1 - 15
132013-09820	4 - 5	660316-55630	2 - 13	A011-000002	1 - 15
132115-46730	4 - 4	699013-56830	7 - 22	A021-000550	3 - 6
132717-50430	4 - 8	699229-56830	6 - 3	A021-000550	8 -
145631-42030	3 - 17	890118-49130	2 - 26	A027-000010	3 - 8
145642-04930	3 - 24	890617-43130	5 - 27	A101-000000	1 - 5
145863-42030	3 - 21	895112-00330	7 - 2	A130-000011	1 - 1

Index

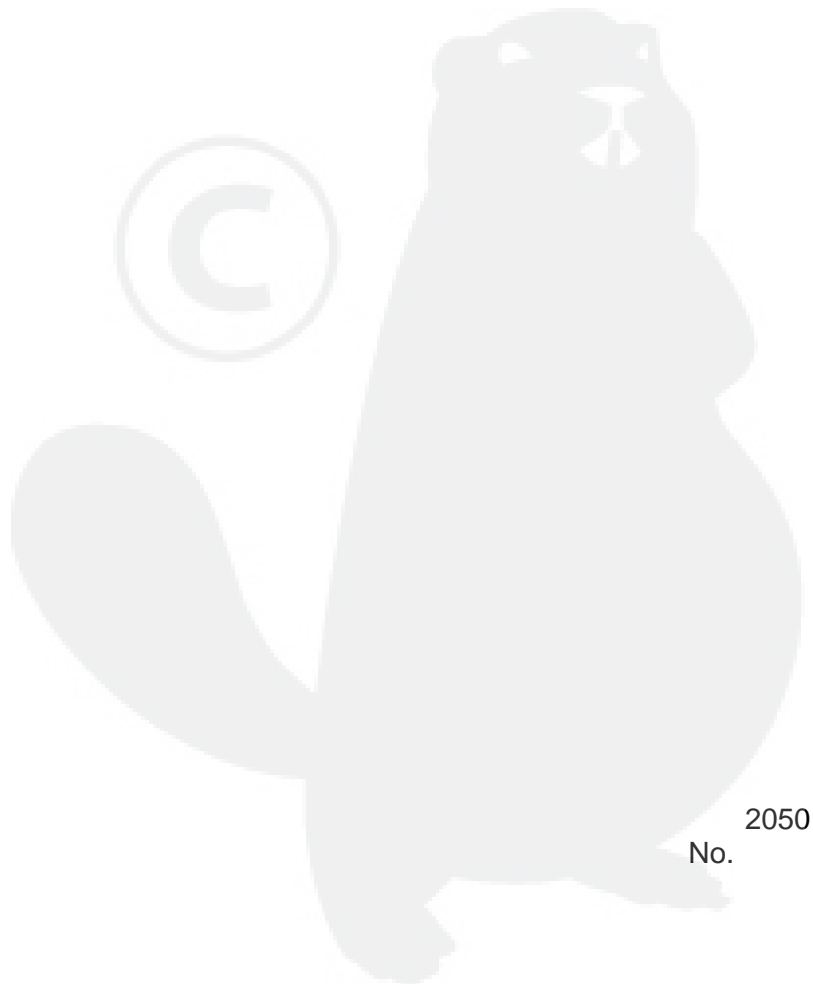
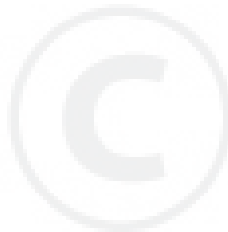
Patrs Number	Key No.	Patrs Number	Key No.	Patrs Number	Key No.
A162-000060	1 - 22				
A172-000340	2 - 10				
A300-000040	3 - 18				
A320-000240	3 - 17				
A320-000250	3 - 17				
A320-000251	3 - 17				
A350-000031	4 - 10				
A409-000000	2 - 31				
C400-000210	5 - 11				
C400-000211	5 - 11				
C403-000030	5 - 23				
C403-000031	5 - 23				
C450-000022	5 - 7				
C460-000011	5 - 5				
C463-000000	5 - 10				
C535-000000	6 - 24				
C535-000001	6 - 24				
C535-000010	6 - 26				
C535-000011	6 - 26				
C550-000080	7 - 11				
C550-000090	7 - 21				
C550-000100	7 - 15				
C554-000000	7 - 12				
P003-000090	8 - 17				
P003-000840	8 - 2				
P021-001101	1 - 4				
P021-001102	1 - 4				
P021-002611	5 - 1				
P021-002612	5 - 1				
P021-002620	7 - 10				
P021-002861	7 - 5				
P021-005780	6 - 1				
P021-005781	6 - 1				
P021-007470	6 - 29				
V104-000160	3 - 16				
V430-000410	5 - 35				
V452-000060	5 - 8				
V452-000130	5 - 6				
V471-001190	4 - 7				
V471-001200	4 - 3				
V553-000010	1 - 16				
X405-000010	6 - 28				
X405-000011	6 - 28				
X543-000360	2 - 34				
X602-000020	7 - 3				



YAMABIKO CORPORATION

7-2 SUEHIROCHO 1-CHOME, OHME, TOKYO 198-8760, JAPAN
PHONE: 81-428-32-6118. FAX: 81-428-32-6145.

ECHO®



2050
No.