



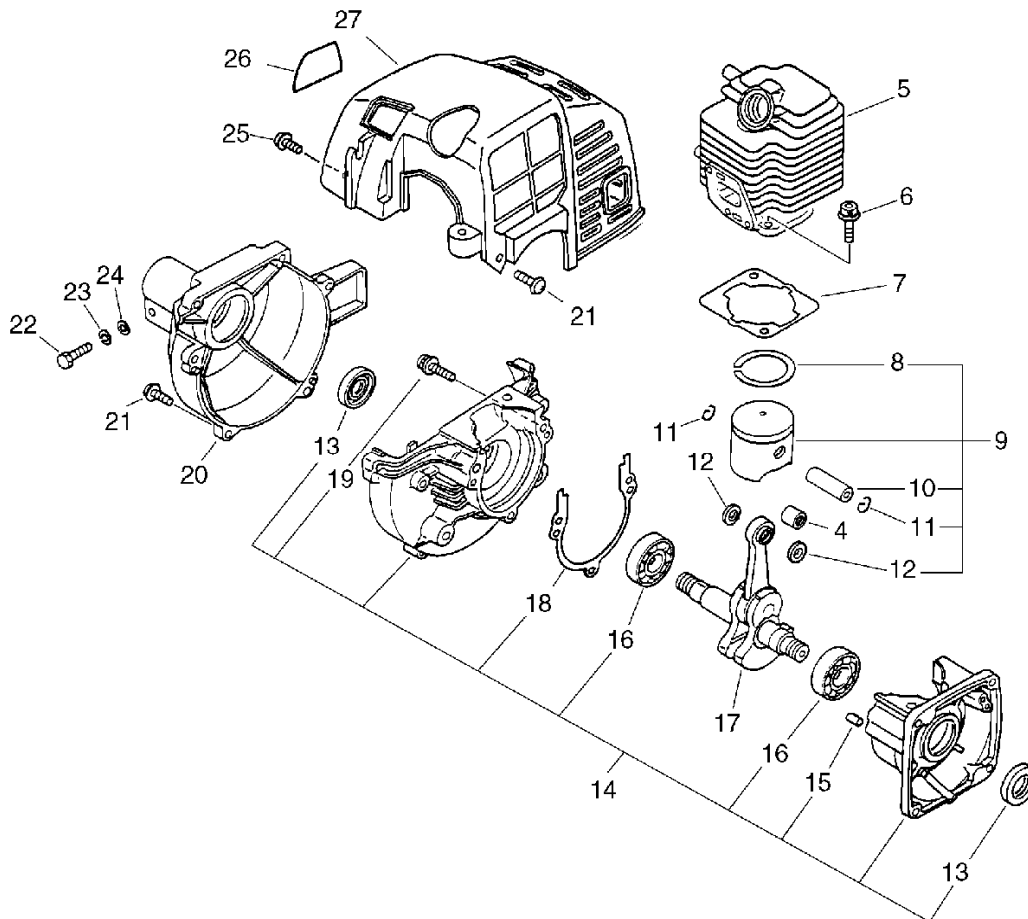
# **PARTS CATALOG**

## **GRASS-TRIMMER / BRUSHCUTTER**

**SRM-2010**

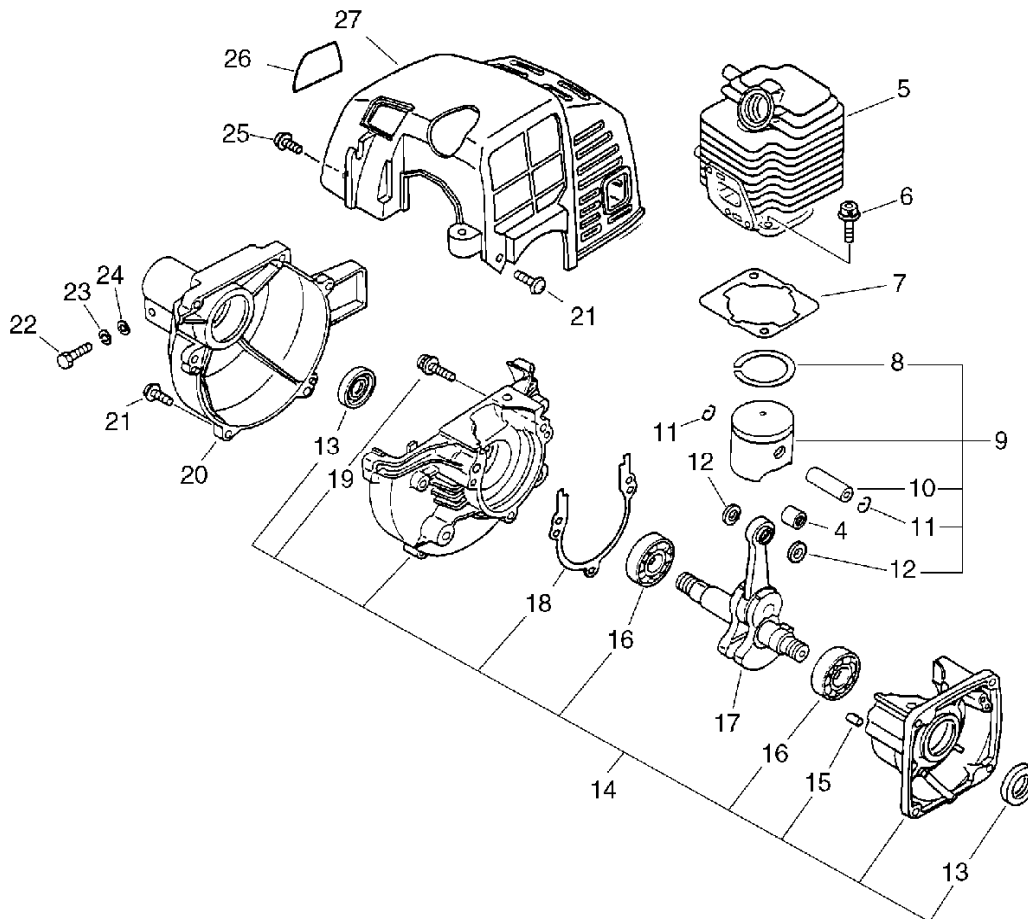
SRM-2010

# 1. CYLINDER, CRANKCASE, PISTON



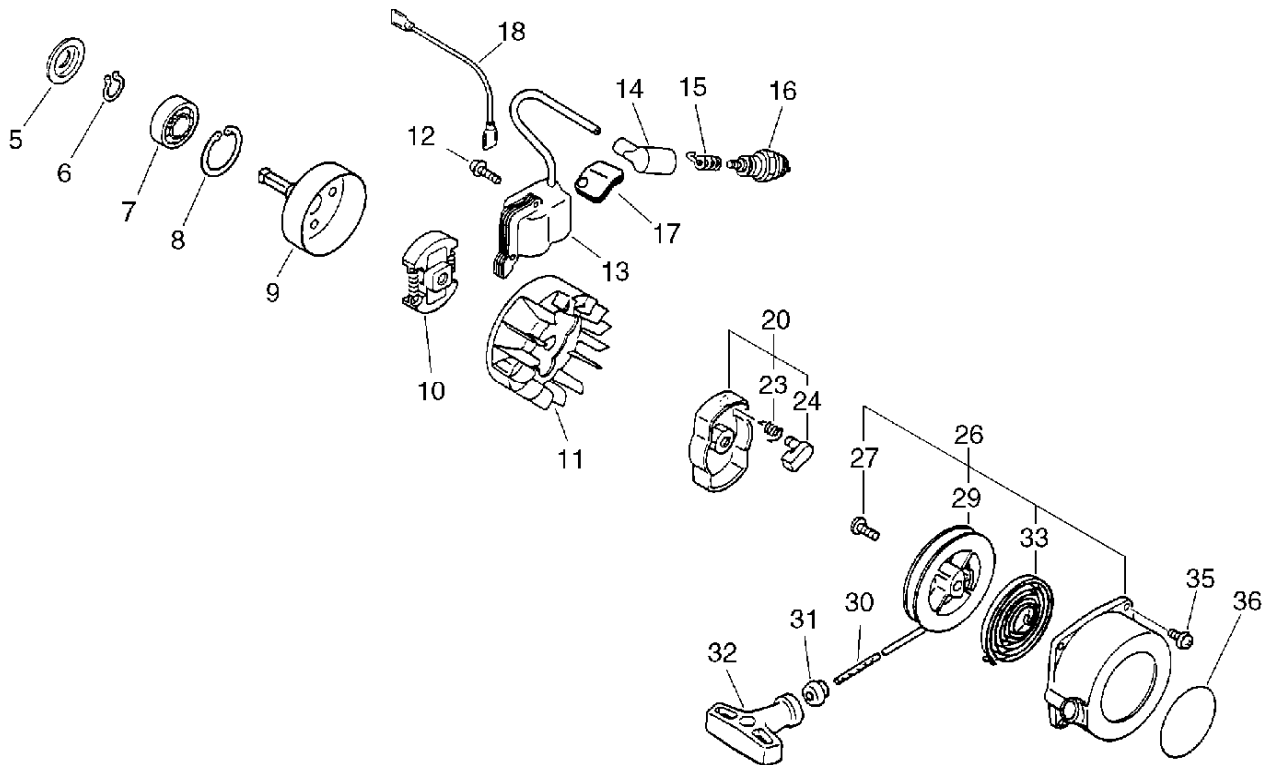
KEY	LV	PART NUMBER	Q'TY	DESCRIPTION	REMARKS	NOTE1	NOTE2
5		101011-45230	1	CYLINDER			
6		900162-05022	2	BOLT, H.S. 5*22	5*22 W,SW		
7		101010-44332	1	GASKET, CYL. BASE			
9		100000-44331	1	PISTON KIT			
8	+	100011-05330	1	RING, PISTON			
10	+	100013-11520	1	PIN, PISTON			
11	+	100015-04630	2	CIRCLIP, PISTON PIN			
12	+	100014-11520	2	SPACER, PISTON PIN			
14		100204-51030	1	CRANKCASE KIT		Sus. by 100204-51031	
14		100204-51031	1	CRANKCASE KIT			
13	+	100212-42030	2	OILSEAL	ISCD12*22*4.5	Sus. by 100212-42031	
13	+	100212-42031	2	OILSEAL	ISCD 12*22*4.5		
15	+	100215-03930	2	PIN, DOWEL			
16	+	900810-36201	2	BEARING, BALL 6201	6201/C3	Sus. by 94035-36201	
16	+	94035-36201	2	BEARING BALL	6201X3JR2C3		
18	+	100242-42030	1	GASKET, CRANKCASE			
19	+	900162-05028	3	BOLT, H.S. 5*28	5*28 W,SW		
17		100100-44732	1	CRANKSHAFT ASSY		Sus. by A011-000101	
17		100100-44733	1	CRANKSHAFT		Sus. by A011-000101	
17		A011-000101	1	CRANKSHAFT,ASM			

# 1. CYLINDER, CRANKCASE, PISTON



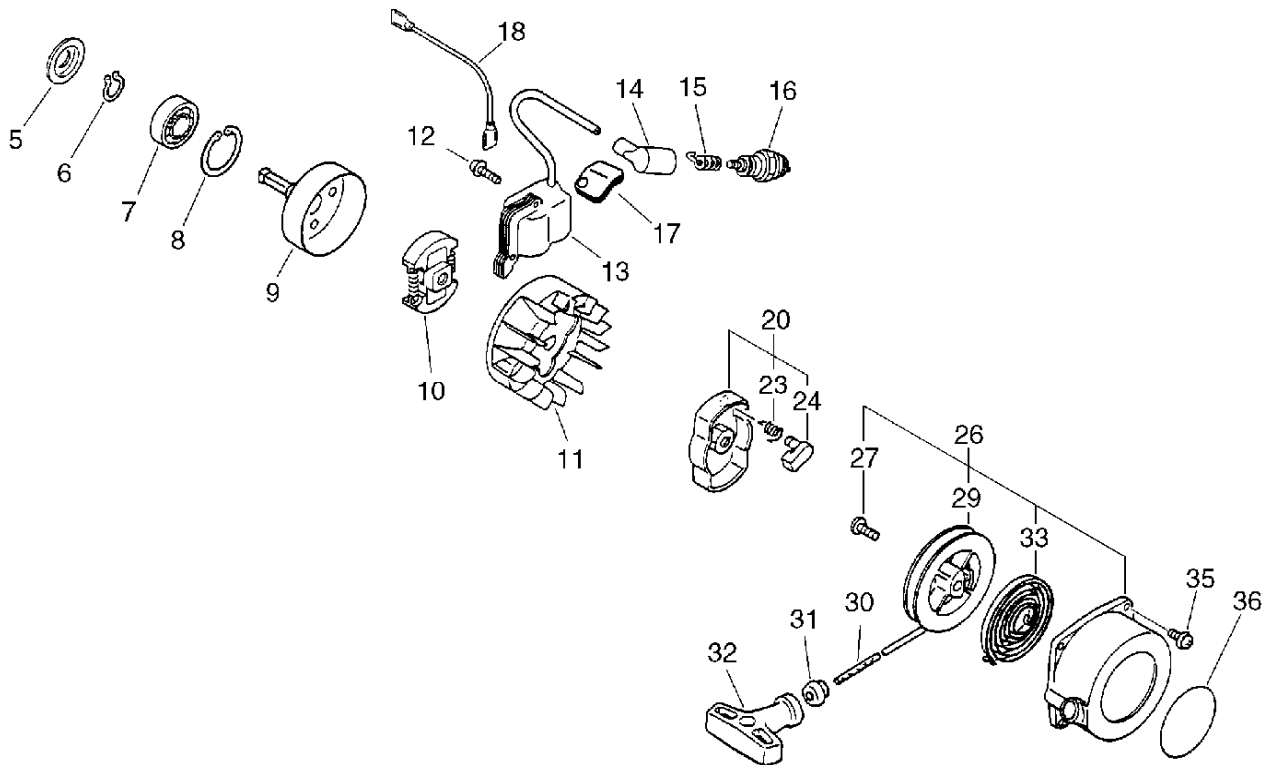
KEY	LV	PART NUMBER	Q'TY	DESCRIPTION	REMARKS	NOTE1	NOTE2
4	+	100012-51230	1	BEARING, NEEDLE	8*12*10	Sus. by V553-000010	
4	+	V553-000030	1	BEARING, NEEDLE 8		Sus. by V553-000010	
4	+	V553-000010	1	BEARING, NEEDLE 8	HK0810		
20		101511-44630	1	COVER, FAN (BS)			
21		900238-04016	6	SCREW 4*16	4*16		
22		900151-05025	1	BOLT 5*25	5*25 S45C		
23		900605-00005	1	WASHER, SPRING 5	5		
24		900600-00005	1	WASHER 5	5		
25		900238-04012	2	SCREW 4*12	4*12		
26		890112-40730	1	LABEL, MODEL			
27		101514-42031	1	COVER, CYLINDER			

## 2. STARTER, MAGNETO, CLUTCH



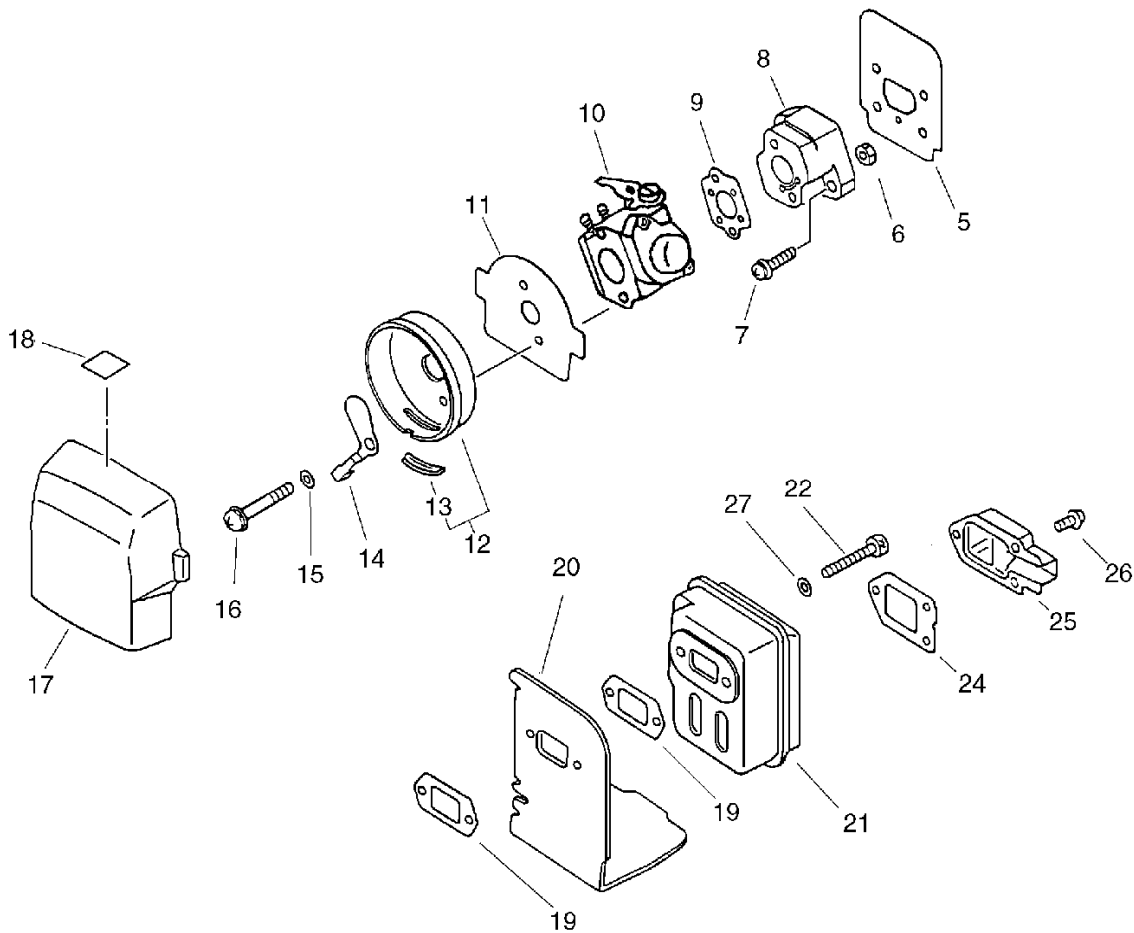
KEY	LV	PART NUMBER	Q'TY	DESCRIPTION	REMARKS	NOTE1	NOTE2
5		175053-04920	1	STOPPER			
6		900701-00012	1	CIRCLIP 12	CS-12		
7		900814-06201	1	BEARING, BALL 6201	6201ZZ		
8		900702-00032	1	CIRCLIP 32	CR-32		
9		175005-46730	1	DRUM, CLUTCH			
10		175000-52130	1	CLUTCH ASSY		Sus. by 175000-52131	
10		175000-52131	1	CLUTCH ASSEMBLY			
11		156801-44731	1	FLYWHEEL		Sus. by 156801-44731	
11		156801-12360	1	ROTOR, MAGNETO		Sus. by 156801-44731	
11		156801-44731	1	FLYWHEEL			
12		900238-04022	2	SCREW 4*22	4*22		
13		156601-44731	1	COIL, IGNITION		Sus. by set of 156601-52130 and 162010-52830	
13		156601-52130	1	COIL, IGNITION			
14		159012-01620	1	CAP, SPARK PLUG			
15		159011-03432	1	COIL, SPARK PLUG			
16		159017-10230	1	PLUG, SPARK (RCJ-7Y)	RCJ-7Y		
17		150112-42030	1	BUSHING			
18		162010-52830	1	LEAD, GROUND			
20		177202-44330	1	PAWL ASSY, STARTER			
23	+	177234-42030	1	SPRING, RETURN			

## 2. STARTER, MAGNETO, CLUTCH



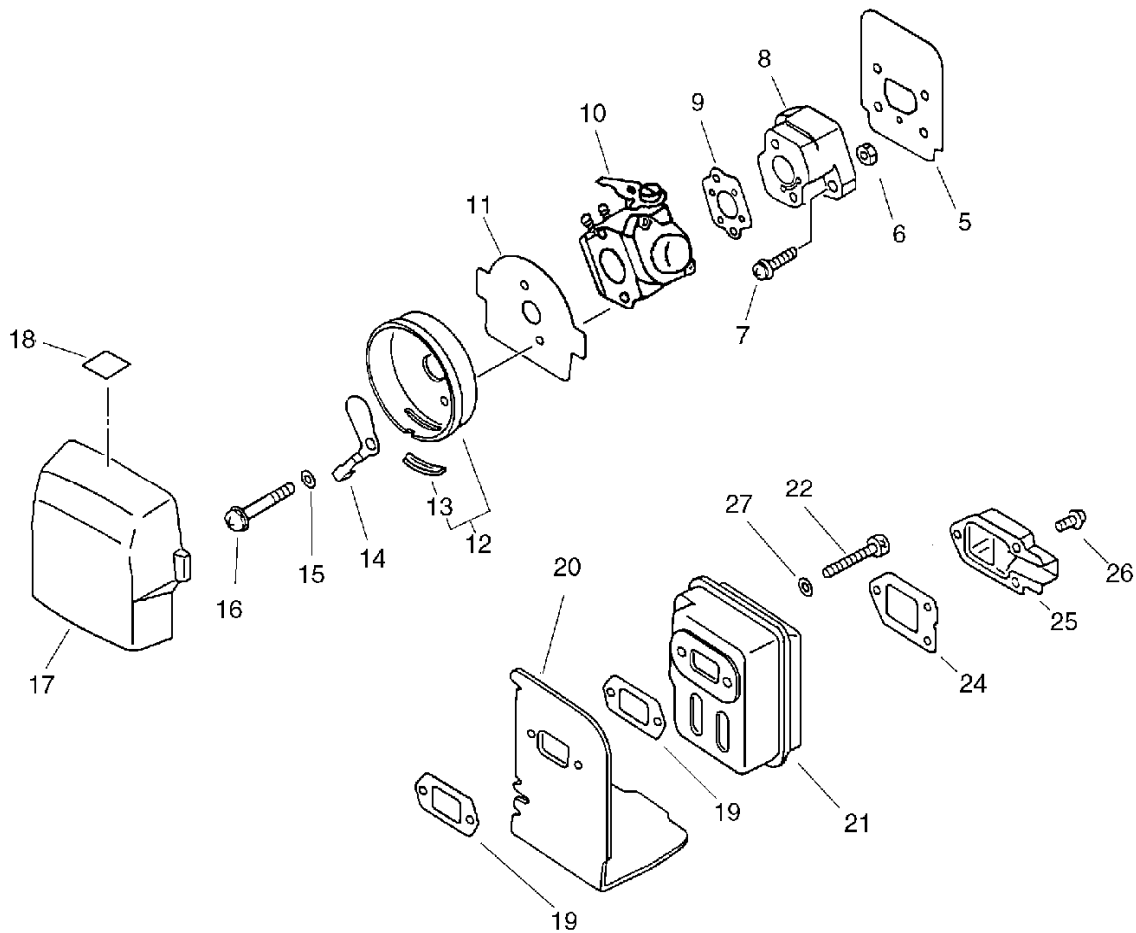
KEY	LV	PART NUMBER	Q'TY	DESCRIPTION	REMARKS	NOTE1	NOTE2
24	+	177218-44330	1	PAWL, STARTER	BLACK		
26		177200-42033	1	STARTER ASSY			
27	+	177236-44330	1	SCREW			
29	+	177215-44430	1	DRUM, STARTER			
30	+	177226-10120	1	ROPE, STARTER	3.0*1000		
31	+	177227-42030	1	GUIDE, ROPE			
32	+	177228-06530	1	GRIP, STARTER			
33	+	177220-42030	1	SPRING, REWIND			
35		900238-04016	2	SCREW 4*16	4*16		
36		890118-49130	1	LABEL, ECHO			

## 3. AIR CLEANER, MUFFLER



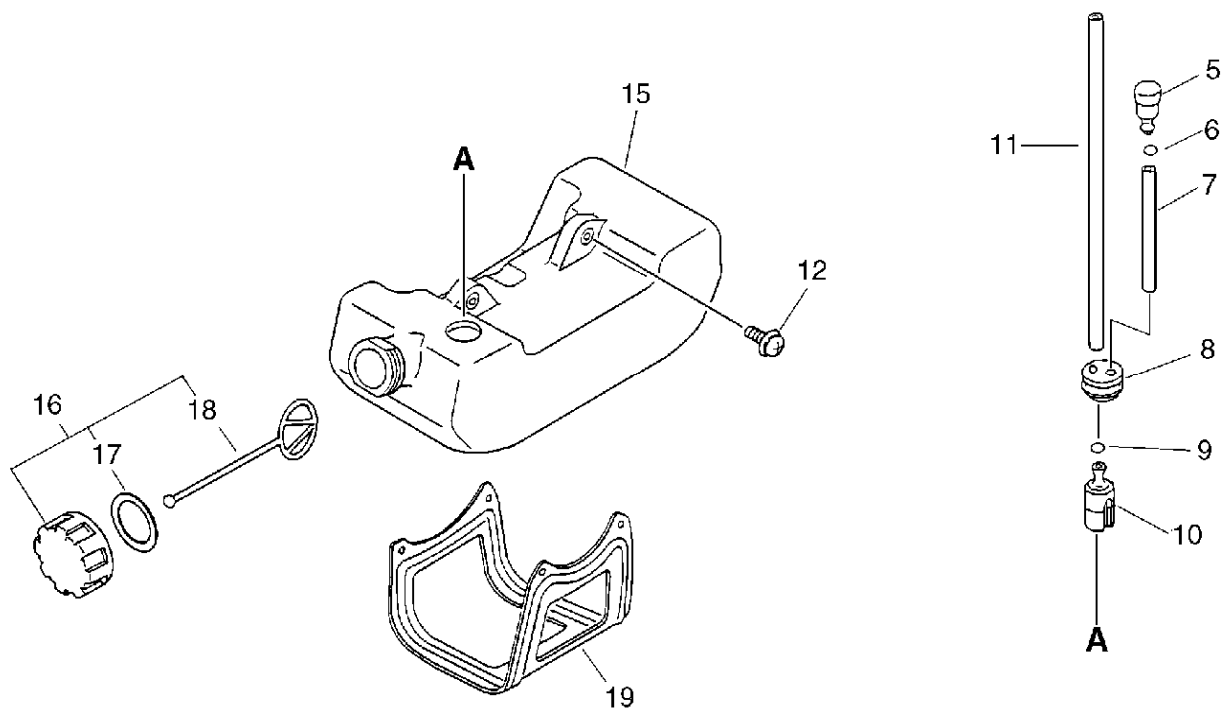
KEY	LV	PART NUMBER	Q'TY	DESCRIPTION	REMARKS	NOTE1	NOTE2
5		130010-42032	1	GASKET,INTAKE			
6		900500-00005	2	NUT 5	5		
7		900238-05020	2	SCREW 5*20	5*20		
8		130017-42031	1	INSULATOR, INTAKE			
9		130016-42031	1	GASKET, INTAKE			
10		125200-44731	1	CARBURETOR ASSY	C1U-K9A	Sus. by 125200-44733	
10		125200-44732	1	CARBURETOR	C1U-K9A	Sus. by 125200-44733	
10		125200-44733	1	CARBURETOR C1U-K9A	C1U-K9A		
11		130319-42030	1	FIXTURE,AIR CLEANER			
12		130301-42030	1	CASE, AIR CLEANER			
13	+	178810-42030	1	GROMMET, CHOKE			
14		178515-46731	1	SHUTTER, CHOKE	φ3.0		
15		178516-00830	2	SPACER	5.2*8*0.8T		
16		900242-05057	2	SCREW 5*57	5*57		
17		130310-46730	1	FILTER, AIR			
18		890169-47530	1	LABEL, ADJUSTING			
19		145510-42031	2	GASKET, MUFFLER		Sus. by V104-000160	
19		V104-000160	2	GASKET,EXHAUST			
20		145631-42030	1	COVER, MUFFLER		Sus. by A320-000251	
20		A320-000250	1	COVER,MUFFLER		Sus. by A320-000251	
20		A320-000251	1	COVER,MUFFLER			

## 3. AIR CLEANER, MUFFLER



KEY	LV	PART NUMBER	Q'TY	DESCRIPTION	REMARKS	NOTE1	NOTE2
21		145806-42030	1	MUFFLER			
22		900105-05055	2	BOLT, H.S. 5*55	5*55		
24		145866-42031	1	GASKET, MUFFLER LID			
25		145809-42030	1	LID, MUFFLER			
26		900242-04010	3	SCREW 4*10	4*10		
27		900600-00005	2	WASHER 5	5		

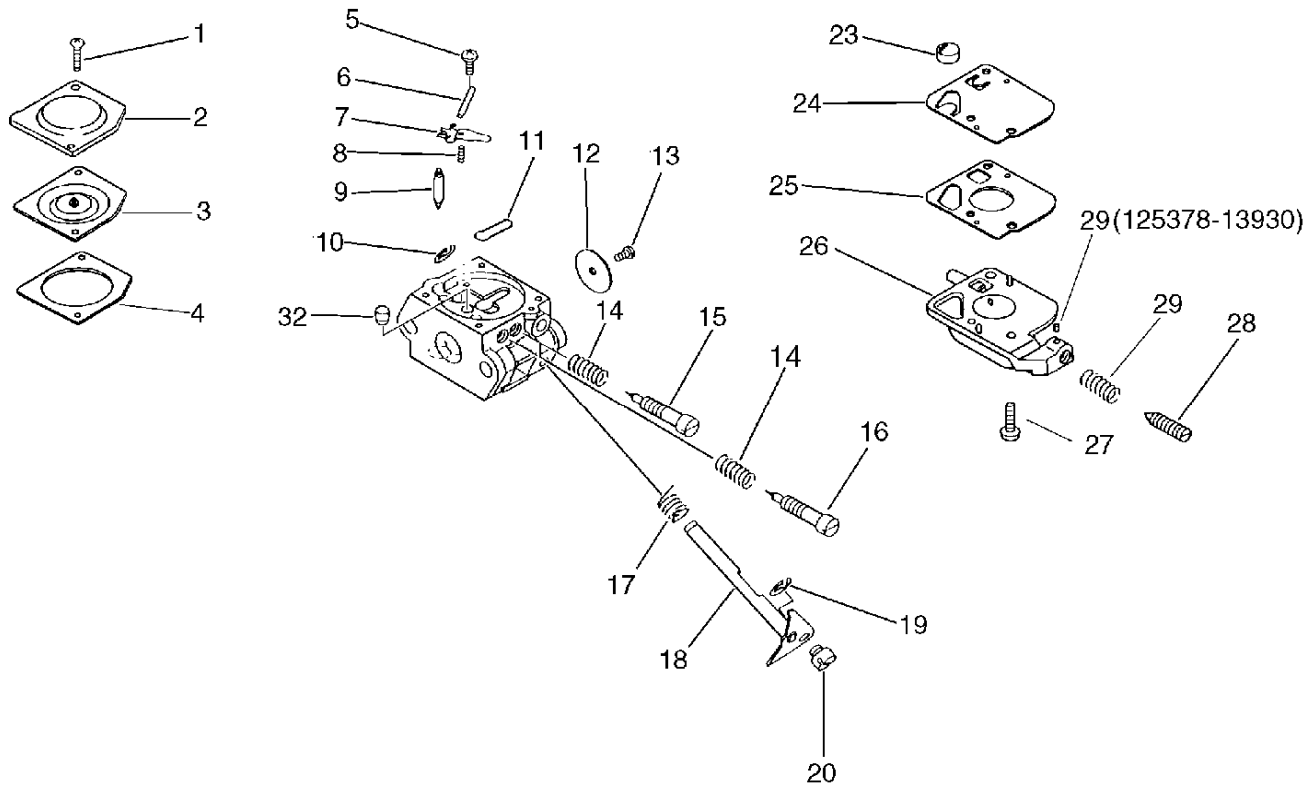
## 4. FUEL TANK



KEY	LV	PART NUMBER	Q'TY	DESCRIPTION	REMARKS	NOTE1	NOTE2
5		131300-56430	1	VALVE, CHECK			
6		130111-00530	1	CLIP	5.5		
7		131312-44330	1	PIPE, 3*5*70L	3*5*70L NBR	Sus. by V471-001200	
7		V471-001200	1	PIPE	3*5*70 NBR		
8		132115-44330	1	GROMMET			
9		132013-09820	1	CLIP	6MM		
10		131205-07320	1	STRAINER, FUEL			
11		132010-13930	1	PIPE, FUEL	3*5*180L NBR	Sus. by V471-001190	
11		V471-001190	1	PIPE	3*5*180 NBR		
12		900243-05016	2	SCREW 5*16	5*16		
15		131005-44330	1	TANK, FUEL		Sus. by 131005-44331	
15		131005-44331	1	TANK, FUEL			
16		131004-08960	1	CAP ASSY, FUEL			
17	+	131016-55830	1	GASKET, FUEL CAP			
18	+	131051-52430	1	CONNECTOR, CAP	80L		
19		305110-42030	1	STAND (BL)			

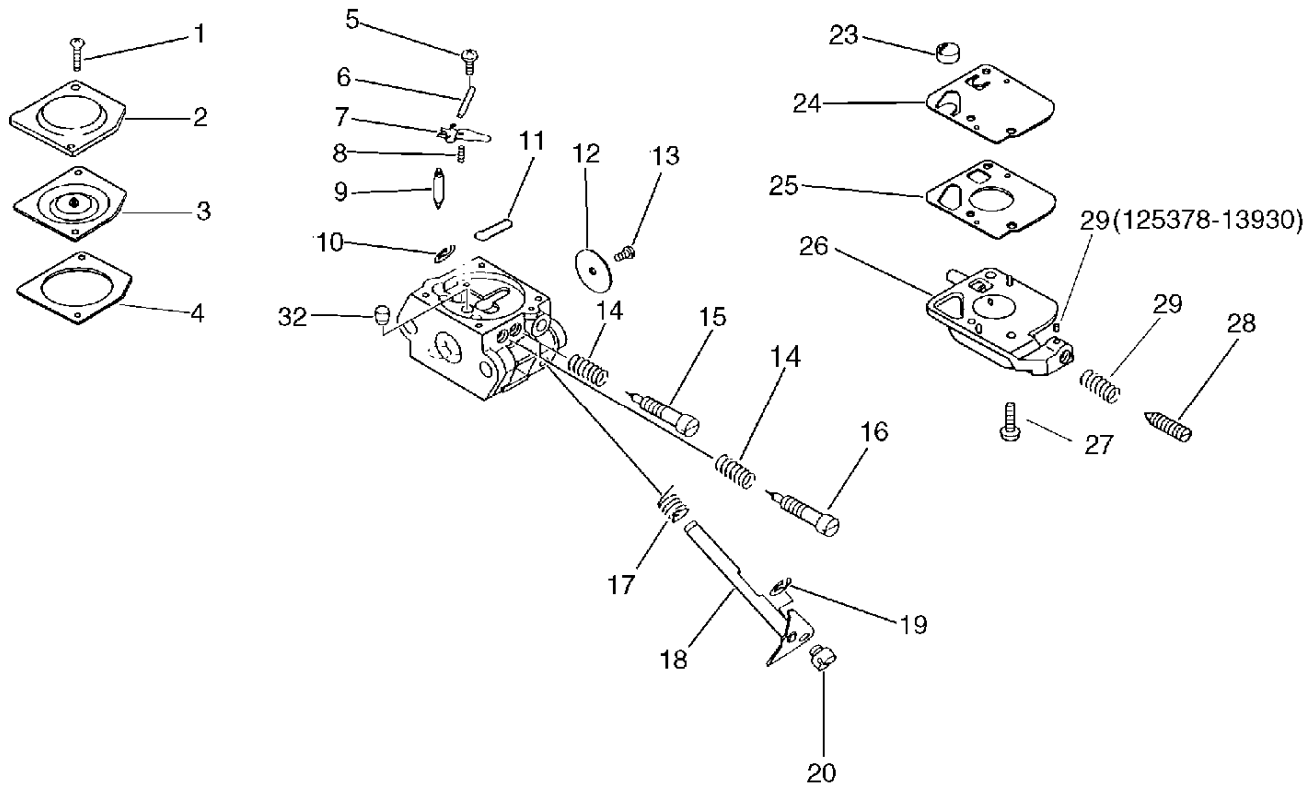


## 5. CARBURETOR



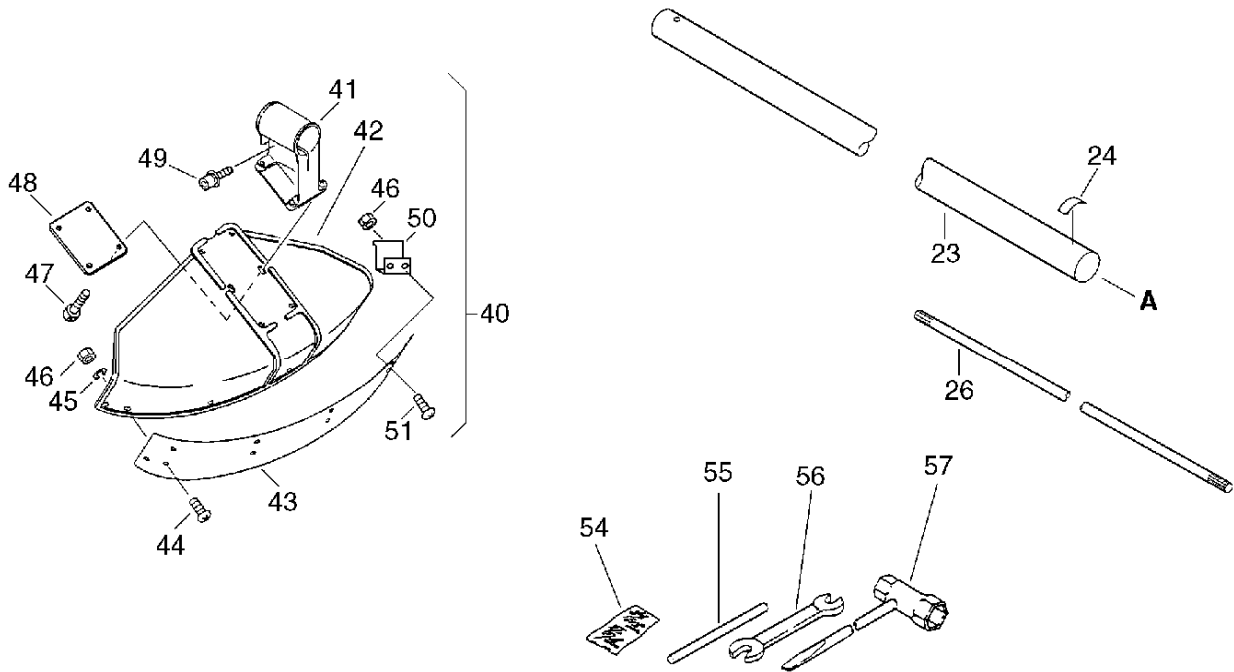
KEY	LV	PART NUMBER	Q'TY	DESCRIPTION	REMARKS	NOTE1	NOTE2
		125200-44731	1	CARBURETOR ASSY	C1U-K9A	Sus. by 125200-44733	
		125200-44732	1	CARBURETOR	C1U-K9A	Sus. by 125200-44733	
		125200-44733	1	CARBURETOR C1U-K9A	C1U-K9A		
1	+	125344-52130	2	SCREW			
2	+	125342-13210	1	COVER, DIAPHRAGM			
3	+	125341-42030	1	DIAPHRAGM			
4	+	125340-42030	1	GASKET, DIAPHRAGM			
5	+	125339-42030	1	SCREW			
6	+	125338-13930	1	PIN, METERING ARM			
7	+	125323-42030	1	LEVER, METERING			
8	+	125322-42030	1	SPRING, COIL			
9	+	125337-06960	1	VALVE, INLET NEEDLE			
10	+	125327-15130	1	CLIP			
11	+	125345-15130	1	PLUG, WELCH			
12	+	125316-42030	1	VALVE, THROTTLE			
13	+	125314-13930	1	SCREW	3*4		
14	+	125319-42030	2	SPRING, COIL			
15	+	125318-42030	1	NEEDLE, IDLE			
16	+	125320-42030	1	NEEDLE, HIGH SPEED			
17	+	125313-42030	1	SPRING, THRT. RETURN			
18	+	125317-42030	1	SHAFT, THROTTLE			
19	+	125327-13930	1	CLIP			
20	+	125372-42030	1	SWIVEL			
23	+	125326-42030	1	STRAINER			

## 5. CARBURETOR



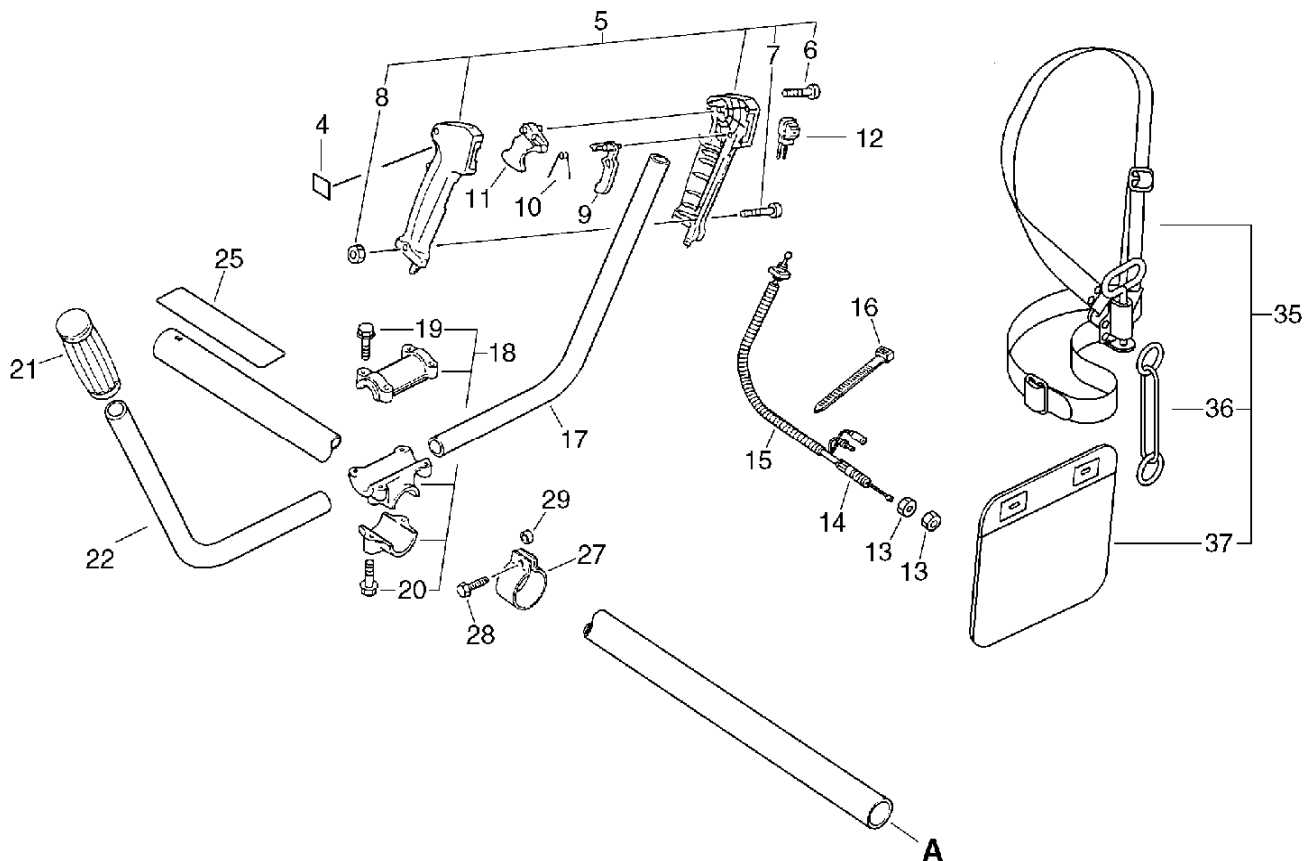
KEY	LV	PART NUMBER	Q'TY	DESCRIPTION	REMARKS	NOTE1	NOTE2
24	+	125312-12820	1	DIAPHRAGM, FUEL PUMP			
25	+	125325-13310	1	GASKET, PUMP			
26	+	125324-42030	1	COVER, PUMP		Can be used on the 125200-44731 only	
26	+	125324-12820	1	COVER, PUMP		Can be used on the 125200-44732 only	
27	+	125310-42030	2	SCREW			
28	+	125334-13930	1	SCREW, IDLE ADJUST		Can be used on the 125200-44731 only	
28	+	125344-08560	1	SCREW		Can be used on the 125200-44732 only	
29	+	125378-13930	1	PIECE, FRICTION		Can be used on the 125200-44731 only	
29	+	125333-08560	1	SPRING, ADJUST SCREW		Can be used on the 125200-44732 only	
32	+	125376-42030	1	NOZZLE, CHECK VALVE		Sus. by P005-001010	
32	+	P005-001010	1	NOZZLE, CHECK VALVE			

## 6. SHIELD



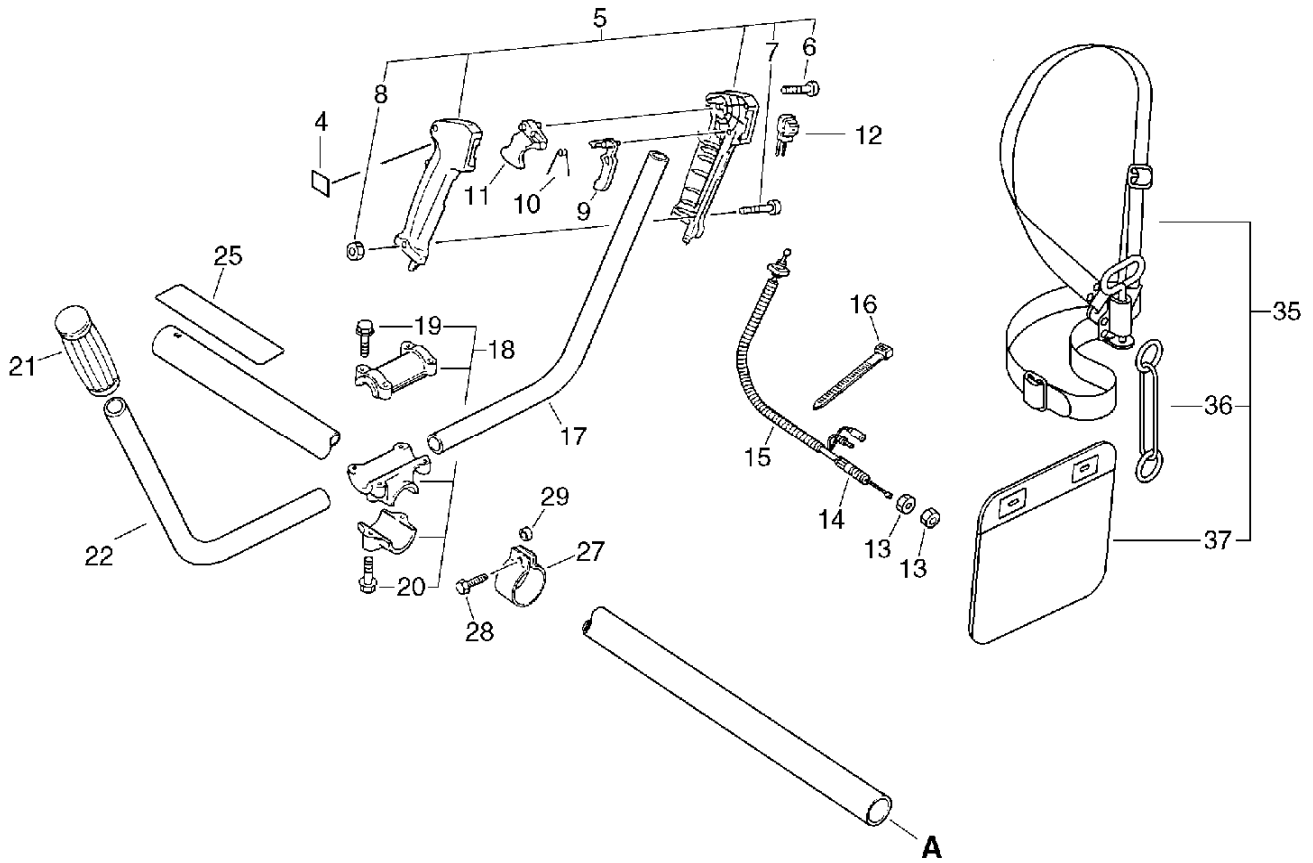
KEY	LV	PART NUMBER	Q'TY	DESCRIPTION	REMARKS	NOTE1	NOTE2
23		610206-28230	1	HOUSING ASS'Y D,SFT.			
24		890152-04930	1	LABEL, CAUTION			
26		610018-27830	1	SHAFT, DRIVE			
40		699001-44730	1	SHIELD, ASSY			
41	+	699011-27230	1	BRACKET, SHIELD			
42	+	699010-54430	1	SHIELD, BLADE			
43	+	699013-52130	1	PLATE, SHIELD			
44	+	900242-05018	4	SCREW 5*18	5*18		
45	+	900603-00005	4	WASHER 5	5.5*12*0.8		
46	+	900500-00005	6	NUT 5	5		
47	+	900242-05014	4	SCREW 5*14	5*14		
48	+	699015-52130	1	PLATE, SHIELD			
49	+	900142-05025	2	BOLT 5*25 (W/W,SW)	5*25		
50	+	699016-54530	1	KNIFE			
51	+	900242-05012	2	SCREW 5*12	5*12		
54		898502-01130	1	PIN 2*22 (W/POUCH)			
55		897518-01131	1	LOCKING TOOL			
56		895112-00330	1	SPANNER 8*10			
57		895410-08030	1	WRENCH, W/S. DRIVER		Sus. by X602-000020	
57		X602-000020	1	TOOL,WRENCH	17*19 L200		

## 7. U-HANDLE



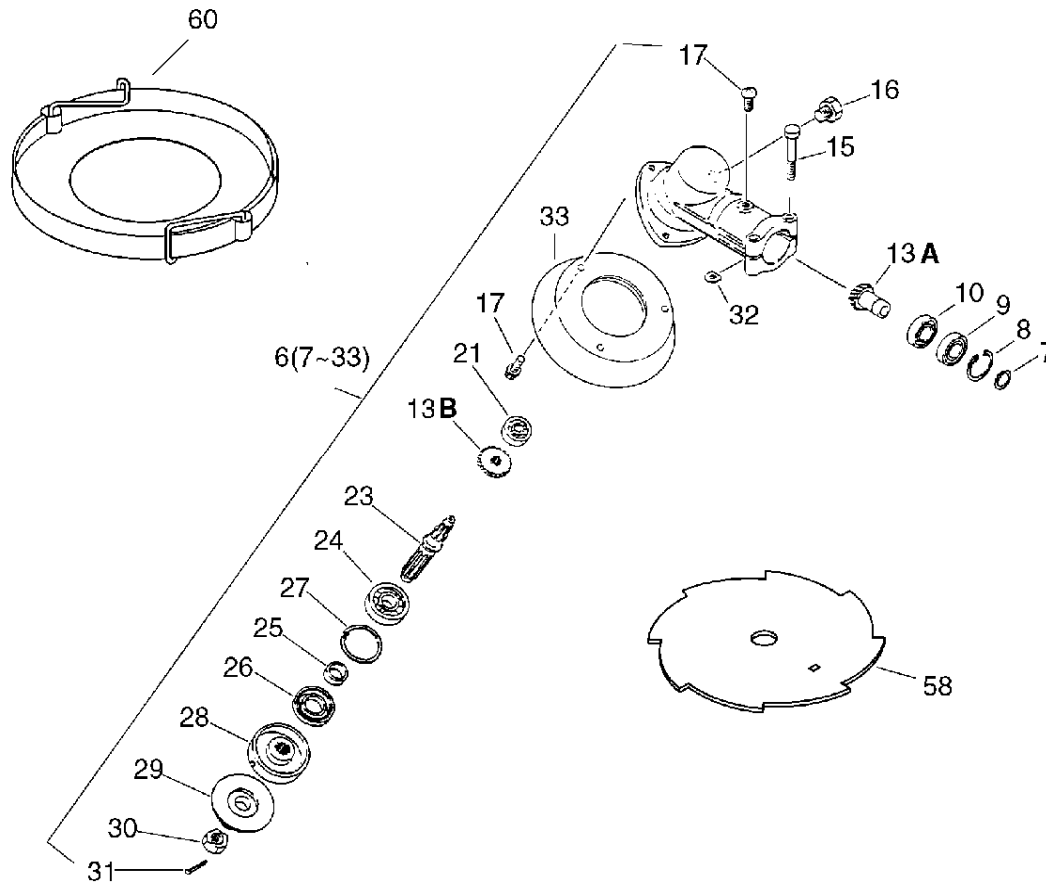
KEY	LV	PART NUMBER	Q'TY	DESCRIPTION	REMARKS	NOTE1	NOTE2
4		890157-39130	1	LABEL, SWITCH		Disuse	
5		351102-47530	1	GRIP ASSY, F-HANDLE			
6	+	900246-03025	4	SCREW 3*25	3*25		
7	+	900220-05030	1	SCREW 5*30	5*30		
8	+	900500-00005	1	NUT 5	5		
9		178012-05960	1	LOCKOUT, THROTTLE			
10		178013-35631	1	SPRING, THR. LOCK			
11		178010-05960	1	CONTROL, THROTTLE			
12		163401-49230	1	SWITCH, IGNITION			
13		178021-05530	2	LOCKNUT			
14		178001-47530	1	WIRE, THROTTLE			
15		178127-47530	1	TUBE	7*10*760		
16		178121-43230	1	BAND	CV-150 BL		
17		351010-43130	1	HANDLE, FRONT			
18		351301-09230	1	BRACKET ASS'Y, HNDL.		Sus. by P021-000460	
18		P021-000460	1	FIXTURE, ASY HANDLE			
19	+	900142-05025	4	BOLT 5*25 (W/W, SW)	5*25		
20	+	900142-06030	2	BOLT 6*30 (W/W, SW)	6*30		
21		351311-02330	1	GRIP, HANDLE			
22		351210-05530	1	HANDLE, LEFT (SL)			
25		890617-46830	1	LABEL, CAUTION		Sus. by 890617-43130	
25		890617-43130	1	LABEL, CAUTION			
27		301207-08930	1	HOOK			
28		900100-05018	1	BOLT 5*18	5*18		

7. U-HANDLE



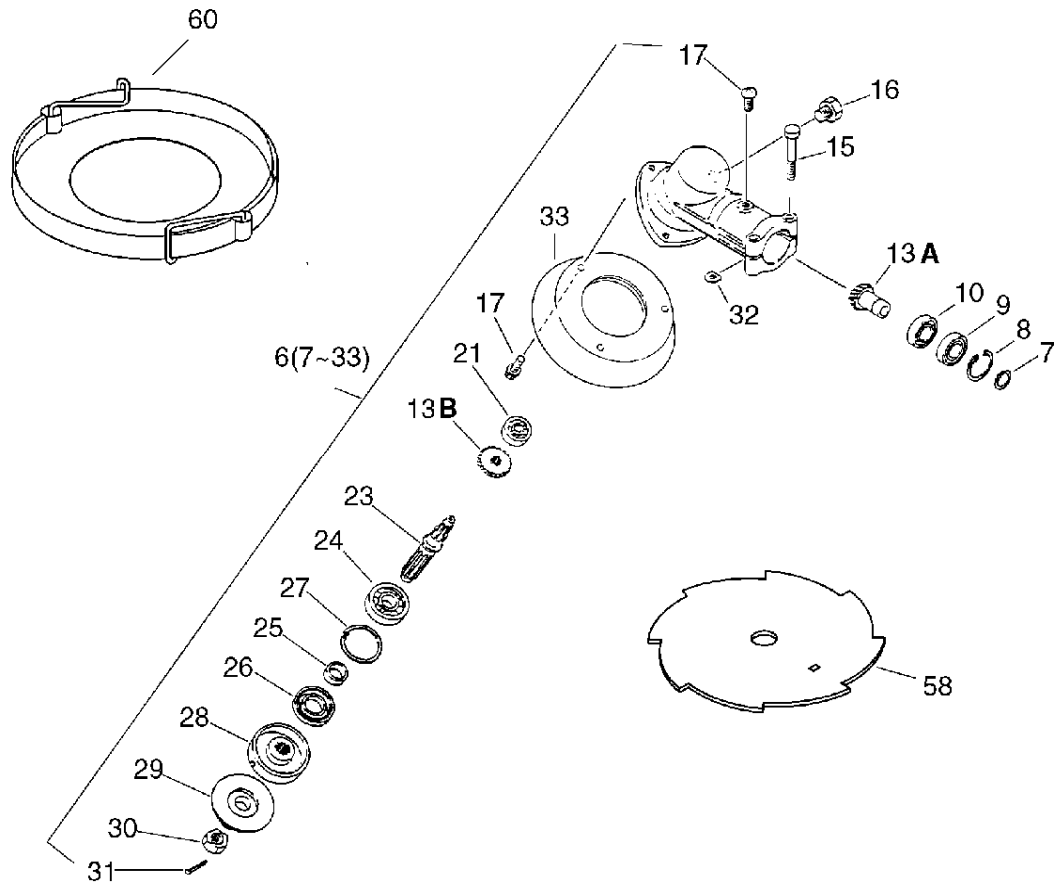
KEY	LV	PART NUMBER	Q'TY	DESCRIPTION	REMARKS	NOTE1	NOTE2
29		699012-03330	1	SPACER			
35		301001-41330	1	HARNESS ASY, SHOULDER		Sus. by 301001-41331	
35		301001-41331	1	HARNESS ASY, SHOULDER			
36	+	301305-24330	1	LINK			
37	+	301105-41830	1	CUSHION		Sus. by C652-000000	
37	+	C652-000000	1	PAD, WAIST			

## 8. GEAR CASE



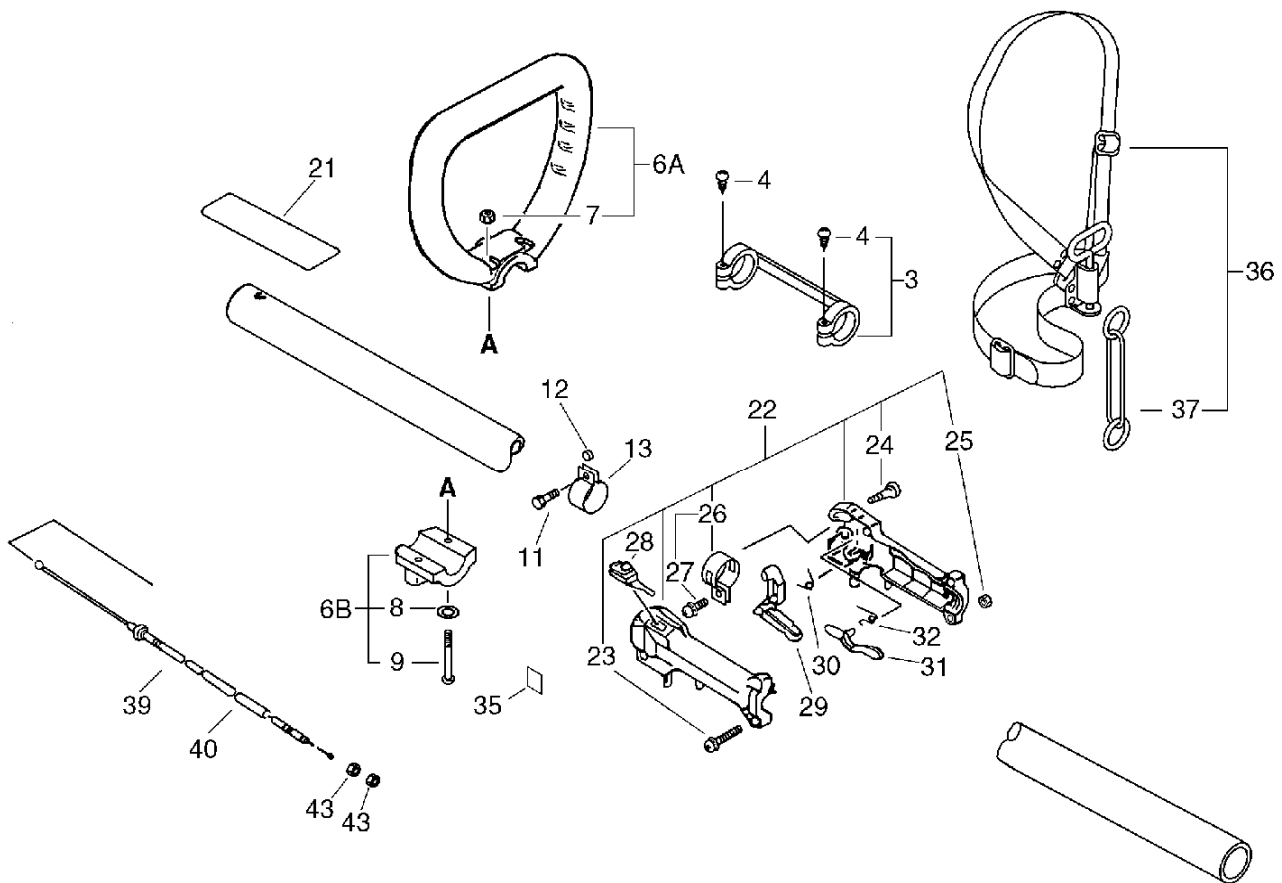
KEY	LV	PART NUMBER	Q'TY	DESCRIPTION	REMARKS	NOTE1	NOTE2
6		610400-41630	1	HOUSING ASSY, GEAR			
7	+	900706-00010	1	CIRCLIP 10	WR-10		
8	+	900702-00022	1	CIRCLIP 22	CR-22		
9	+	900858-06900	1	BEARING, BALL 6900Z	6900Z		
10	+	900855-06900	1	BEARING, BALL 6900	6900		
13	+	610300-40830	1	GEAR SET			
15	+	900142-05028	2	BOLT 5*28 (W/W,SW)	5*28		
16	+	610434-50030	1	BOLT 8* 6		Sus. by 610434-50031	
16	+	610434-50031	1	BOLT 8* 8	M8*8		
17	+	900242-05010	4	SCREW 5*10	5*10		
21	+	900810-00626	1	BEARING, BALL 626	626		
23	+	610310-40830	1	SHAFT, P.T.O.			
24	+	900800-06000	1	BEARING, BALL 6000	6000		
25	+	610315-22830	1	SPACER			
26	+	610413-22830	1	OILSEAL			
27	+	900702-00026	1	CIRCLIP 26	CR-26		
28	+	610313-22830	1	PLATE, ADAPTER (U)			
29	+	610314-27230	1	PLATE, ADAPTER			
30	+	900511-00010	1	NUT 10 (L-H)	10*P1.25		
31	+	900300-20022	1	PIN, SPLIT 2*22	2*22		
32	+	610239-04130	2	WASHER, SHIM			
33	+	610443-22830	1	PLATE, GUARD (WH)			
58		696001-48030	1	BLADE, 8-CUTTER		Sus. by 696001-48031	

8. GEAR CASE



KEY	LV	PART NUMBER	Q'TY	DESCRIPTION	REMARKS	NOTE1	NOTE2
58		696001-48031	1	BLADE, 8-CUTTER	200*8P*1.8 PD25		
60		898503-08030	1	COVER SET, CUTTER		Sus. by 898503-08031	
60		898503-08031	1	COVER SET, CUTTER	8INC (ORANGE)		

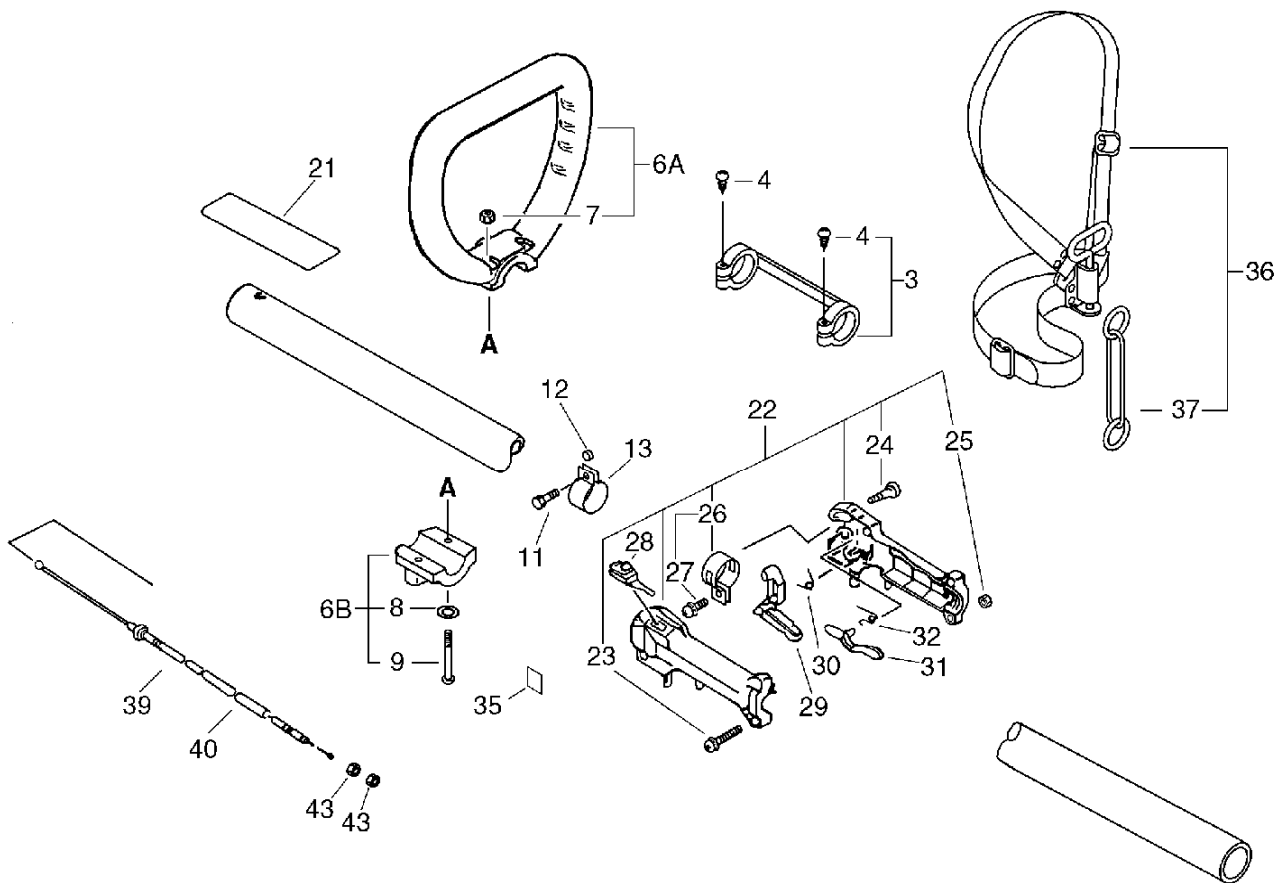
## 9. L-HANDLE



KEY	LV	PART NUMBER	Q'TY	DESCRIPTION	REMARKS	NOTE1	NOTE2
3		610281-46730	1	COLLER			
4	+	900253-04025	2	SCREW 4*25	4*25		
6		351201-08930	1	HANDLE ASSY, LOOP			
7	+	900500-00005	2	NUT 5	5		
8	+	900600-00005	2	WASHER 5	5		
9	+	900220-05040	2	SCREW 5*40	5*40		
11		900100-05018	1	BOLT 5*18	5*18		
12		699012-03330	1	SPACER			
13		301207-08930	1	HOOK			
21		890177-46730	1	LABEL, CAUTION		Sus. by 890617-43130	
21		890617-63630	1	LABEL, CAUTION		Sus. by 890617-43130	
21		X505-000140	1	LABEL, CAUTION		Sus. by 890617-43130	
21		890617-43130	1	LABEL, CAUTION			
22		351102-29430	1	GRIP ASSY, F-HANDLE			
23	+	900238-05025	1	SCREW 5*25	5*25		
24	+	900253-04018	3	SCREW TAPPING 4*18	4*18		
25	+	900500-00005	1	NUT 5	5		
26	+	301200-29430	1	BAND ASSY			
27	++	900238-05012	1	SCREW 5*12	5*12		
28		163400-52130	1	SWITCH, IGNITION			
29		178010-42232	1	CONTROL, THROTTLE			
30		178043-42230	1	SPRING, THR. RETURN			
31		178012-42230	1	LOCKOUT, THROTTLE			

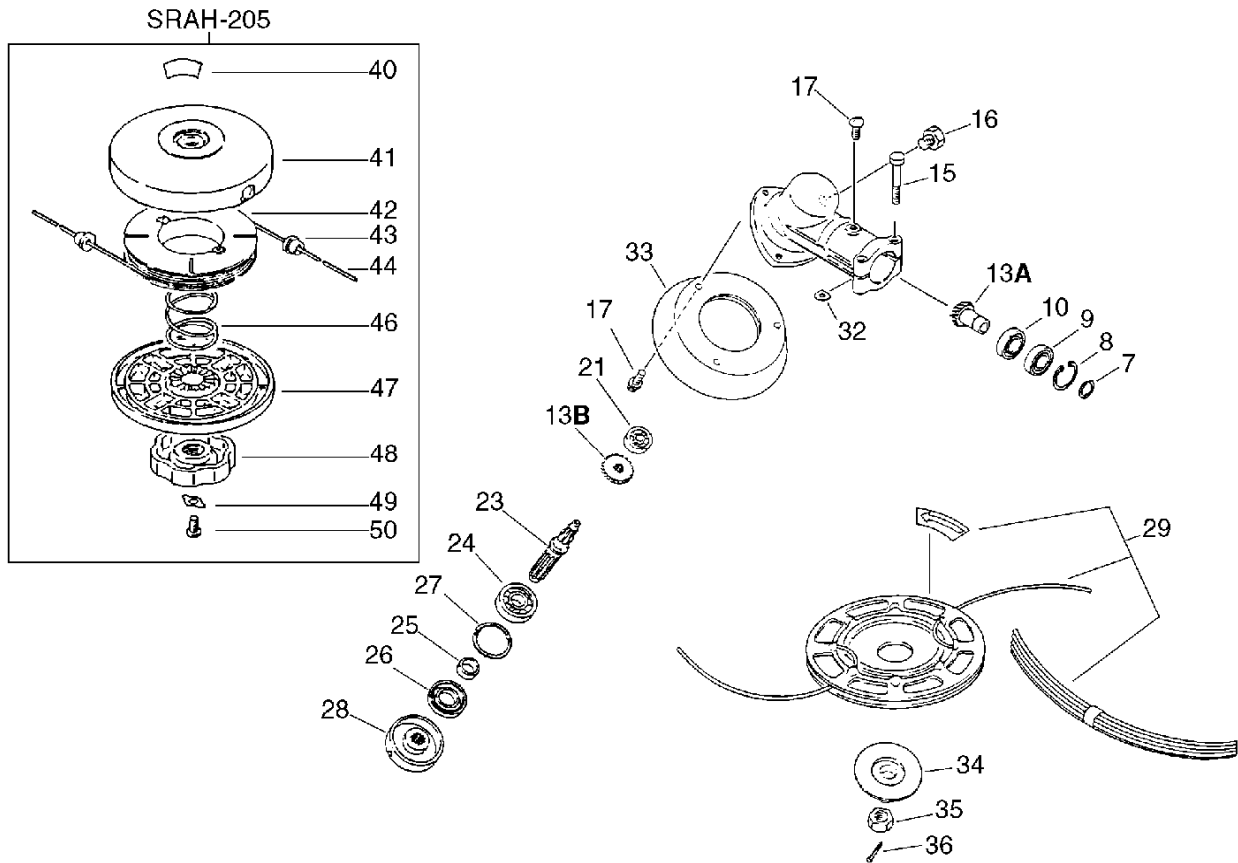


## 9. L-HANDLE



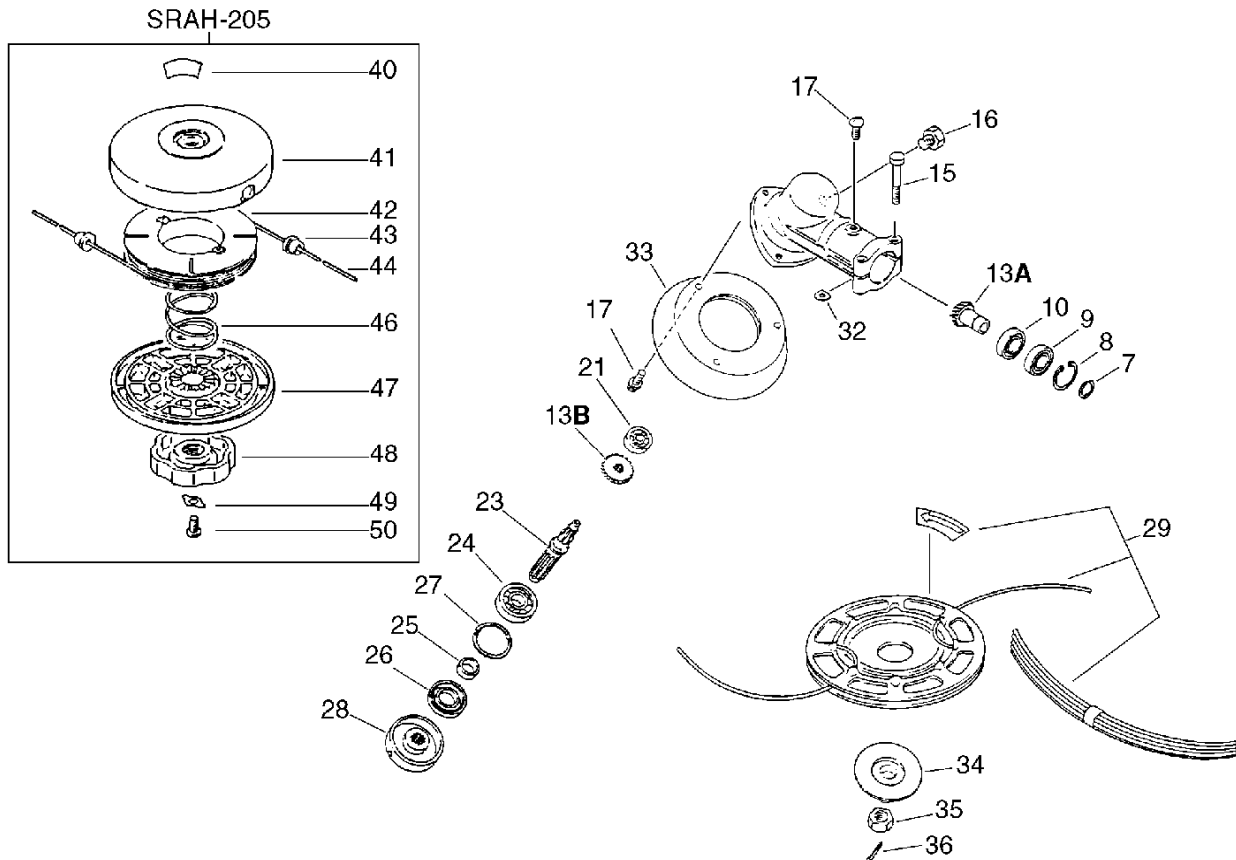
KEY	LV	PART NUMBER	Q'TY	DESCRIPTION	REMARKS	NOTE1	NOTE2
32		178013-42230	1	SPRING, THR. LOCKOUT			
35		890157-39130	1	LABEL, SWITCH		Disuse	
36		301000-55230	1	HARNESS ASSY		Sus. by 301000-55231	
36		301000-55231	1	HARNESS ASY, SHOULDER			
37	+	301305-24330	1	LINK			
39		178001-52130	1	WIRE, THROTTLE			
40		178127-24030	1	TUBE	10*11*160		
43		900502-00006	2	NUT 6 (3N)	3N6		

## 10. GEAR CASE



KEY	LV	PART NUMBER	Q'TY	DESCRIPTION	REMARKS	NOTE1	NOTE2
7		900706-00010	1	CIRCLIP 10	WR-10		
8		900702-00022	1	CIRCLIP 22	CR-22		
9		900858-06900	1	BEARING, BALL 6900Z	6900Z		
10		900855-06900	1	BEARING, BALL 6900	6900		
13		610300-40830	1	GEAR SET			
15		900142-05028	2	BOLT 5*28 (W/W,SW)	5*28		
16		610434-50030	1	BOLT 8* 6		Sus. by 610434-50031	
16		610434-50031	1	BOLT 8* 8	M8*8		
17		900242-05010	4	SCREW 5*10	5*10		
21		900810-00626	1	BEARING, BALL 626	626		
23		610310-40830	1	SHAFT, P.T.O.			
24		900800-06000	1	BEARING, BALL 6000	6000		
25		610315-22830	1	SPACER			
26		610413-22830	1	OILSEAL			
27		900702-00026	1	CIRCLIP 26	CR-26		
28		610313-44630	1	PLATE, ADAPTER		D. shaft Sr/Nr 009505 and before	
28		610313-22830	1	PLATE, ADAPTER (U)		D. shaft Sr/Nr 009506 and after	
29		696200-55230	1	CUTTER ASSY, LINE		Sus. by 990109-09040	
29		990109-09040	1	CUTTER BLACK			
32		610239-04130	2	WASHER, SHIM			

## 10. GEAR CASE



KEY	LV	PART NUMBER	Q'TY	DESCRIPTION	REMARKS	NOTE1	NOTE2
33		610443-22830	1	PLATE, GUARD (WH)			
34		610314-27230	1	PLATE, ADAPTER		D. shaft Sr/Nr 009506 and after	
35		900511-00010	1	NUT 10 (L-H)	10*P1.25	D. shaft Sr/Nr 009506 and after	
36		900300-20022	1	PIN, SPLIT 2*22	2*22	D. shaft Sr/Nr 009506 and after	
40		890617-46730	1	LABEL, CAUTION			
41		696205-06033	1	DRUM, CORD REEL			
42		696214-06830	1	REEL, CORD			
43		696212-06032	2	EYELET			
44		696215-22830	2	CORD, NYLON(2.4*2.5)			
46		696216-06030	1	SPRING			
47		696206-06032	1	COVER, DRUM (JY)			
48		696219-06031	1	NUT (JY)		Sus. by V299- 000260	
48		V299-000260	1	KNOB, FASTENER	M16X2		
49		696220-06030	1	STOPPER, NUT			
50		900220-06010	1	SCREW 6*10	6*10		

## 11. REPAIR KIT

KEY	LV	PART NUMBER	Q'TY	DESCRIPTION	REMARKS	NOTE1	NOTE2
		125303-42030	1	GASKET/DIAPHRAGM KIT			
5-3	+	125341-42030	1	DIAPHRAGM			
5-4	+	125340-42030	1	GASKET, DIAPHRAGM			
5-24	+	125312-12820	1	DIAPHRAGM, FUEL PUMP			
5-25	+	125325-13310	1	GASKET, PUMP			
		125300-42030	1	REBUILD KIT			
5-3	+	125341-42030	1	DIAPHRAGM			
5-4	+	125340-42030	1	GASKET, DIAPHRAGM			
5-6	+	125338-13930	1	PIN, METERING ARM			
5-7	+	125323-42030	1	LEVER, METERING			
5-8	+	125322-42030	1	SPRING, COIL			
5-9	+	125337-06960	1	VALVE, INLET NEEDLE			
5-11	+	125345-15130	1	PLUG, WELCH			
5-23	+	125326-42030	1	STRAINER			
5-24	+	125312-12820	1	DIAPHRAGM, FUEL PUMP			
5-25	+	125325-13310	1	GASKET, PUMP			

**Index**

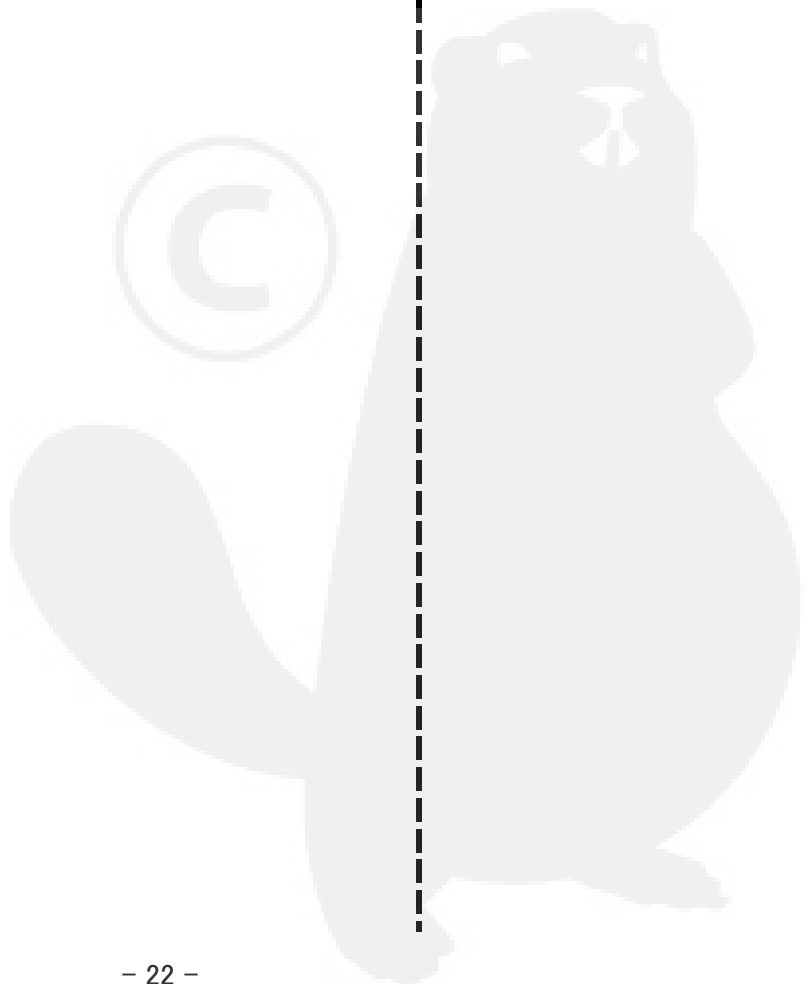
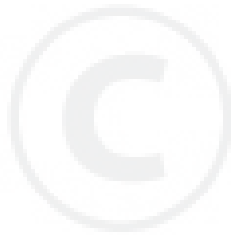
<b>Patrs Number</b>	<b>Key No.</b>	<b>Patrs Number</b>	<b>Key No.</b>	<b>Patrs Number</b>	<b>Key No.</b>
100000-44331	1 - 9	125327-15130	5 - 10	156801-44731	2 - 11
100011-05330	1 - 8	125333-08560	5 - 29	156801-44731	2 - 11
100012-51230	1 - 4	125334-13930	5 - 28	159011-03432	2 - 15
100013-11520	1 - 10	125337-06960	5 - 9	159012-01620	2 - 14
100014-11520	1 - 12	125337-06960	11 - 5-9	159017-10230	2 - 16
100015-04630	1 - 11	125338-13930	5 - 6	162010-52830	2 - 18
100100-44732	1 - 17	125338-13930	11 - 5-6	163400-52130	9 - 28
100100-44733	1 - 17	125339-42030	5 - 5	163401-49230	7 - 12
100204-51030	1 - 14	125340-42030	5 - 4	175000-52130	2 - 10
100204-51031	1 - 14	125340-42030	11 - 5-4	175000-52131	2 - 10
100212-42030	1 - 13	125340-42030	11 - 5-4	175005-46730	2 - 9
100212-42031	1 - 13	125341-42030	5 - 3	175053-04920	2 - 5
100215-03930	1 - 15	125341-42030	11 - 5-3	177200-42033	2 - 26
100242-42030	1 - 18	125341-42030	11 - 5-3	177202-44330	2 - 20
101010-44332	1 - 7	125342-13210	5 - 2	177215-44430	2 - 29
101011-45230	1 - 5	125344-08560	5 - 28	177218-44330	2 - 24
101511-44630	1 - 20	125344-52130	5 - 1	177220-42030	2 - 33
101514-42031	1 - 27	125345-15130	5 - 11	177226-10120	2 - 30
125200-44731	3 - 10	125345-15130	11 - 5-11	177227-42030	2 - 31
125200-44731	5 -	125372-42030	5 - 20	177228-06530	2 - 32
125200-44732	3 - 10	125376-42030	5 - 32	177234-42030	2 - 23
125200-44732	5 -	125378-13930	5 - 29	177236-44330	2 - 27
125200-44733	3 - 10	130010-42032	3 - 5	178001-47530	7 - 14
125200-44733	5 -	130016-42031	3 - 9	178001-52130	9 - 39
125300-42030	11 -	130017-42031	3 - 8	178010-05960	7 - 11
125303-42030	11 -	130111-00530	4 - 6	178010-42232	9 - 29
125310-42030	5 - 27	130301-42030	3 - 12	178012-05960	7 - 9
125312-12820	5 - 24	130310-46730	3 - 17	178012-42230	9 - 31
125312-12820	11 - 5-24	130319-42030	3 - 11	178013-35631	7 - 10
125312-12820	11 - 5-24	131004-08960	4 - 16	178013-42230	9 - 32
125313-42030	5 - 17	131005-44330	4 - 15	178021-05530	7 - 13
125314-13930	5 - 13	131005-44331	4 - 15	178043-42230	9 - 30
125316-42030	5 - 12	131016-55830	4 - 17	178121-43230	7 - 16
125317-42030	5 - 18	131051-52430	4 - 18	178127-24030	9 - 40
125318-42030	5 - 15	131205-07320	4 - 10	178127-47530	7 - 15
125319-42030	5 - 14	131300-56430	4 - 5	178515-46731	3 - 14
125320-42030	5 - 16	131312-44330	4 - 7	178516-00830	3 - 15
125322-42030	5 - 8	132010-13930	4 - 11	178810-42030	3 - 13
125322-42030	11 - 5-8	132013-09820	4 - 9	301000-55230	9 - 36
125323-42030	5 - 7	132115-44330	4 - 8	301000-55231	9 - 36
125323-42030	11 - 5-7	145510-42031	3 - 19	301001-41330	7 - 35
125324-12820	5 - 26	145631-42030	3 - 20	301001-41331	7 - 35
125324-42030	5 - 26	145806-42030	3 - 21	301105-41830	7 - 37
125325-13310	5 - 25	145809-42030	3 - 25	301200-29430	9 - 26
125325-13310	11 - 5-25	145866-42031	3 - 24	301207-08930	7 - 27
125325-13310	11 - 5-25	150112-42030	2 - 17	301207-08930	9 - 13
125326-42030	5 - 23	156601-44731	2 - 13	301305-24330	7 - 36
125326-42030	11 - 5-23	156601-52130	2 - 13	301305-24330	9 - 37
125327-13930	5 - 19	156801-12360	2 - 11	305110-42030	4 - 19

**Index**

<b>Patrs Number</b>	<b>Key No.</b>	<b>Patrs Number</b>	<b>Key No.</b>	<b>Patrs Number</b>	<b>Key No.</b>
351010-43130	7 - 17	699015-52130	6 - 48	900246-03025	7 - 6
351102-29430	9 - 22	699016-54530	6 - 50	900253-04018	9 - 24
351102-47530	7 - 5	890112-40730	1 - 26	900253-04025	9 - 4
351201-08930	9 - 6	890118-49130	2 - 36	900300-20022	8 - 31
351210-05530	7 - 22	890152-04930	6 - 24	900300-20022	10 - 36
351301-09230	7 - 18	890157-39130	7 - 4	900500-00005	3 - 6
351311-02330	7 - 21	890157-39130	9 - 35	900500-00005	6 - 46
610018-27830	6 - 26	890169-47530	3 - 18	900500-00005	7 - 8
610206-28230	6 - 23	890177-46730	9 - 21	900500-00005	9 - 7
610239-04130	8 - 32	890617-43130	7 - 25	900500-00005	9 - 25
610239-04130	10 - 32	890617-43130	9 - 21	900502-00006	9 - 43
610281-46730	9 - 3	890617-46730	10 - 40	900511-00010	8 - 30
610300-40830	8 - 13	890617-46830	7 - 25	900511-00010	10 - 35
610300-40830	10 - 13	890617-63630	9 - 21	900600-00005	1 - 24
610310-40830	8 - 23	895112-00330	6 - 56	900600-00005	3 - 27
610310-40830	10 - 23	895410-08030	6 - 57	900600-00005	9 - 8
610313-22830	8 - 28	897518-01131	6 - 55	900603-00005	6 - 45
610313-22830	10 - 28	898502-01130	6 - 54	900605-00005	1 - 23
610313-44630	10 - 28	898503-08030	8 - 60	900701-00012	2 - 6
610314-27230	8 - 29	898503-08031	8 - 60	900702-00022	8 - 8
610314-27230	10 - 34	900100-05018	7 - 28	900702-00022	10 - 8
610315-22830	8 - 25	900100-05018	9 - 11	900702-00026	8 - 27
610315-22830	10 - 25	900105-05055	3 - 22	900702-00026	10 - 27
610400-41630	8 - 6	900142-05025	6 - 49	900702-00032	2 - 8
610413-22830	8 - 26	900142-05025	7 - 19	900706-00010	8 - 7
610413-22830	10 - 26	900142-05028	8 - 15	900706-00010	10 - 7
610434-50030	8 - 16	900142-05028	10 - 15	900800-06000	8 - 24
610434-50030	10 - 16	900142-06030	7 - 20	900800-06000	10 - 24
610434-50031	8 - 16	900151-05025	1 - 22	900810-00626	8 - 21
610434-50031	10 - 16	900162-05022	1 - 6	900810-00626	10 - 21
610443-22830	8 - 33	900162-05028	1 - 19	900810-36201	1 - 16
610443-22830	10 - 33	900220-05030	7 - 7	900814-06201	2 - 7
696001-48030	8 - 58	900220-05040	9 - 9	900855-06900	8 - 10
696001-48031	8 - 58	900220-06010	10 - 50	900855-06900	10 - 10
696200-55230	10 - 29	900238-04012	1 - 25	900858-06900	8 - 9
696205-06033	10 - 41	900238-04016	1 - 21	900858-06900	10 - 9
696206-06032	10 - 47	900238-04016	2 - 35	94035-36201	1 - 16
696212-06032	10 - 43	900238-04022	2 - 12	990109-09040	10 - 29
696214-06830	10 - 42	900238-05012	9 - 27	A011-000101	1 - 17
696215-22830	10 - 44	900238-05020	3 - 7	A320-000250	3 - 20
696216-06030	10 - 46	900238-05025	9 - 23	A320-000251	3 - 20
696219-06031	10 - 48	900242-04010	3 - 26	C652-000000	7 - 37
696220-06030	10 - 49	900242-05010	8 - 17	P005-001010	5 - 32
699001-44730	6 - 40	900242-05010	10 - 17	P021-000460	7 - 18
699010-54430	6 - 42	900242-05012	6 - 51	V104-000160	3 - 19
699011-27230	6 - 41	900242-05014	6 - 47	V299-000260	10 - 48
699012-03330	7 - 29	900242-05018	6 - 44	V471-001190	4 - 11
699012-03330	9 - 12	900242-05057	3 - 16	V471-001200	4 - 7
699013-52130	6 - 43	900243-05016	4 - 12	V553-000010	1 - 4

**Index**

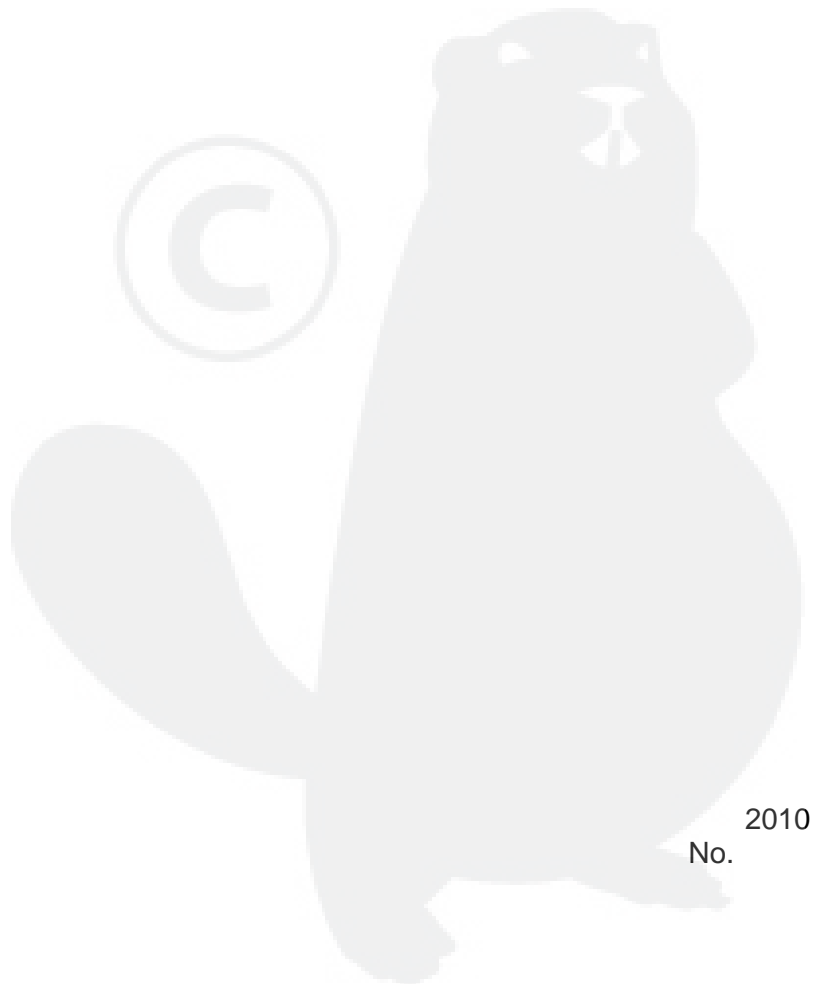
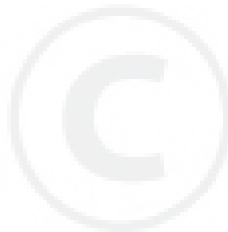
<b>Patrs Number</b>	<b>Key No.</b>	<b>Patrs Number</b>	<b>Key No.</b>	<b>Patrs Number</b>	<b>Key No.</b>
V553-000030	1 - 4				
X505-000140	9 - 21				
X602-000020	6 - 57				



# YAMABIKO CORPORATION

7-2 SUEHIROCHO 1-CHOME, OHME, TOKYO 198-8760, JAPAN  
PHONE: 81-428-32-6118. FAX: 81-428-32-6145.

**ECHO**<sup>®</sup>



2010  
No.