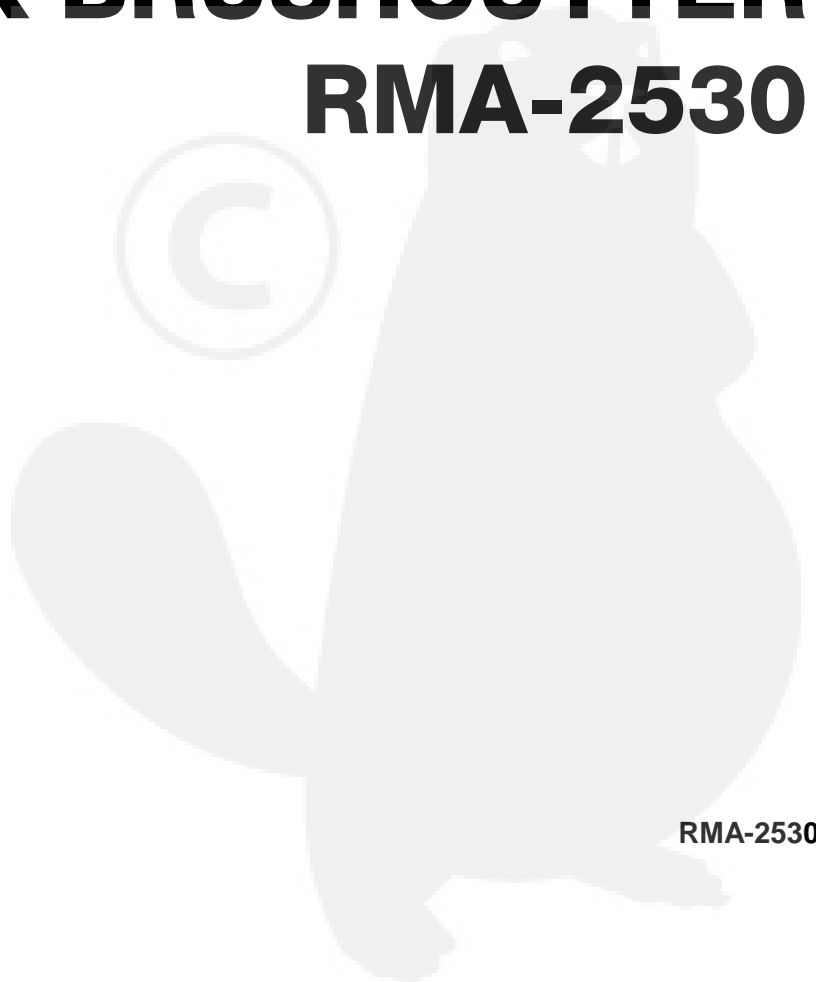




# **PARTS CATALOG**

## **BACKPACK BRUSHCUTTER**

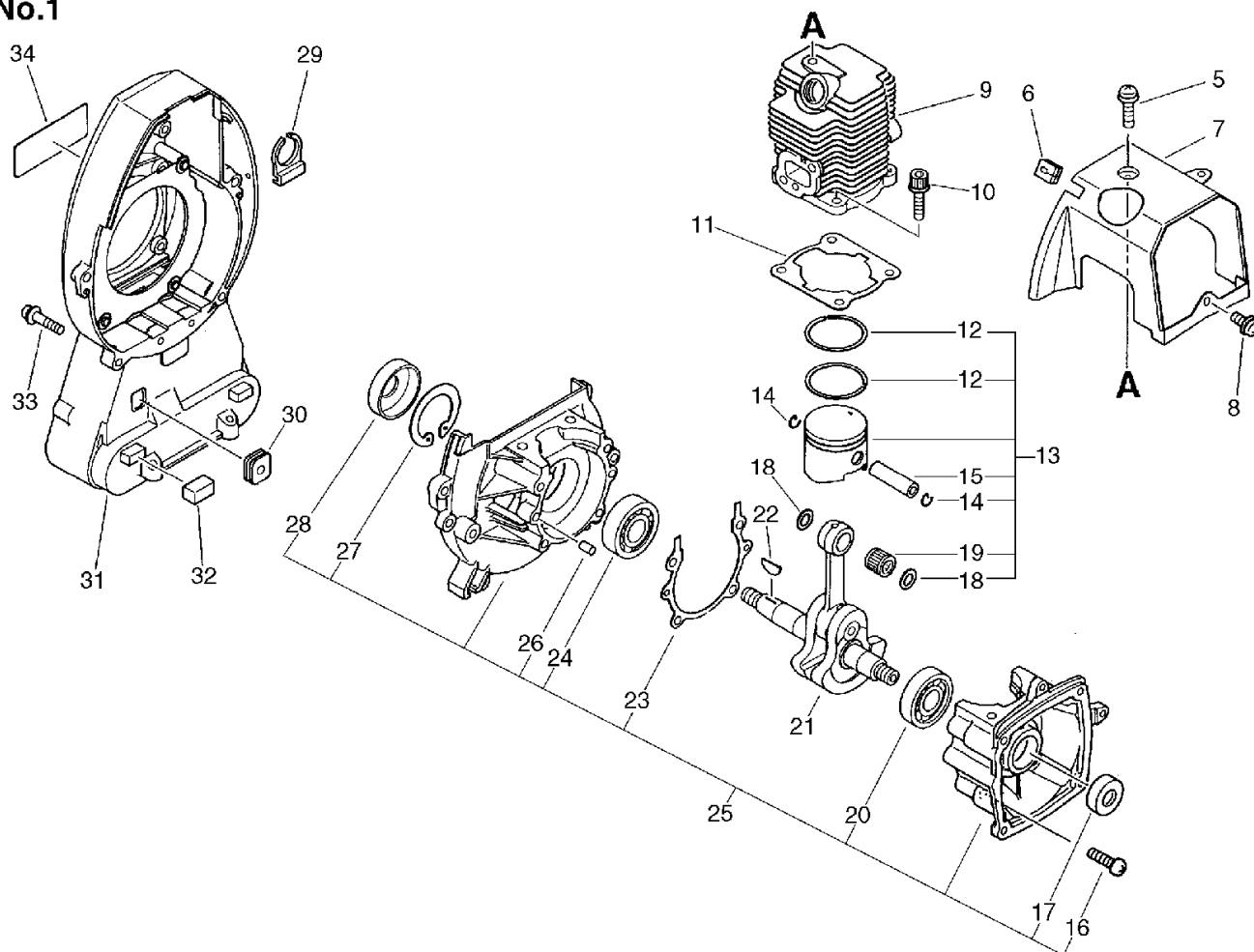
**RMA-2530**



RMA-2530

# 1. Cylinder, Crankcase, Piston, Fan Cover

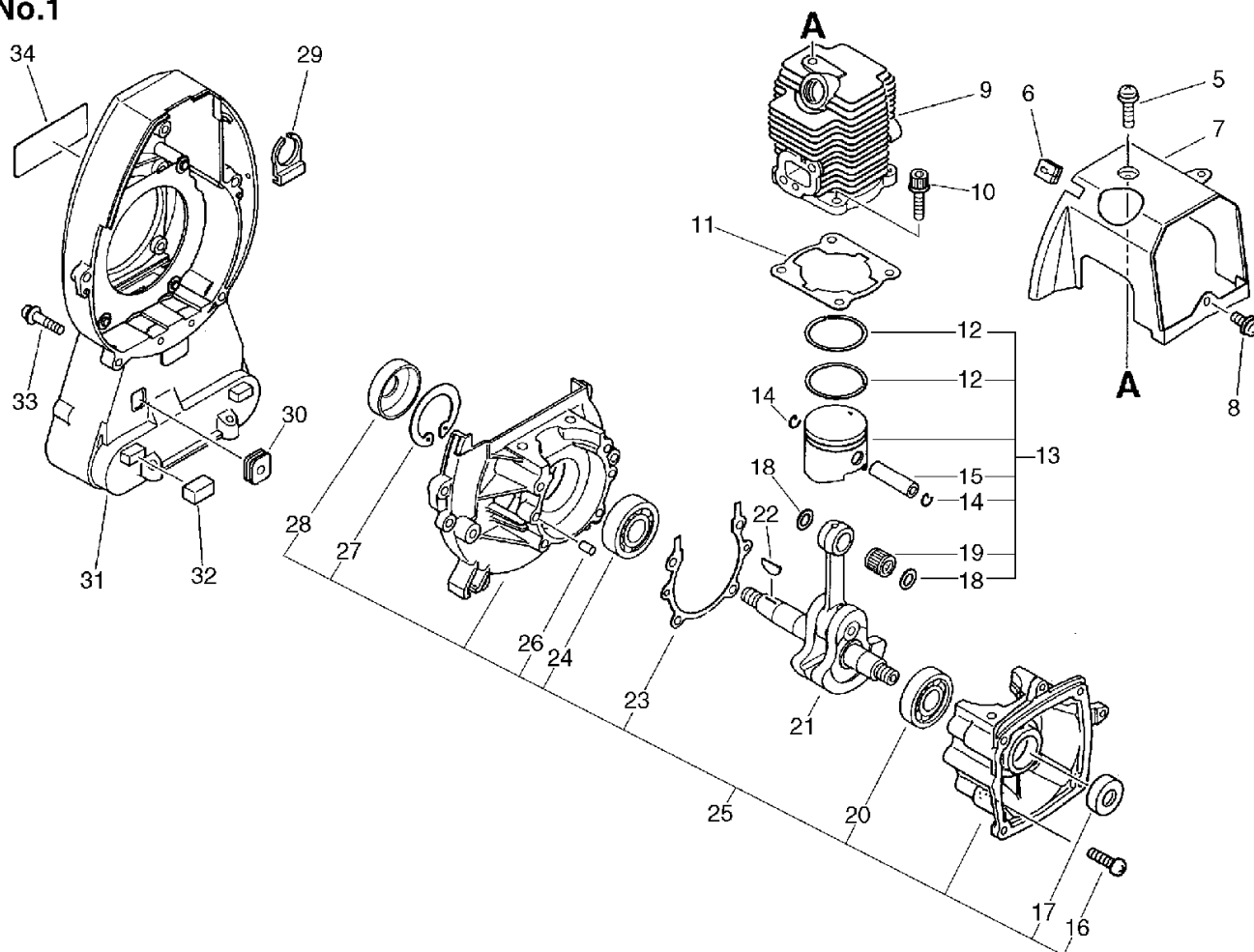
No.1



KEY	LV	PART NUMBER	Q'TY	DESCRIPTION	REMARKS	NOTE1	NOTE2
5		900242-05010	1	SCREW 5*10	5*10		
6		150114-04920	1	BUSHING			
7		101514-48330	1	COVER, CYLINDER			
8		900242-04010	1	SCREW 4*10	4*10		
9		101011-22330	1	CYLINDER			
10		900162-05020	4	BOLT, H.S. 5*20	5*20 W,SW		
11		101010-22331	1	GASKET, CYL. BASE			
13		100010-45430	1	PISTON		Sus. by 100000-45431	
13		100000-45430	1	PISTON KIT		Sus. by 100000-45431	
13		100000-45431	1	PISTON KIT			
12	+	100011-05330	2	RING, PISTON			
14	+	100015-04630	2	CIRCLIP, PISTON PIN			
15	+	100013-22330	1	PIN, PISTON			
18	+	100014-45430	2	SPACER, PISTON PIN			
19	+	100012-22330	1	BEARING, NEEDLE		Sus. by V553-000040	
19	+	V553-000040	1	BEARING, NEEDLE 8	8E-KV8X11X11.8XS		
21		100100-48330	1	CRANKSHAFT ASSY		Sus. by 100100-48332	
21		100100-48331	1	CRANKSHAFT		Sus. by 100100-48332	
21		100100-48332	1	CRANKSHAFT			
22		100142-12330	1	KEY, WOODRUFF			

# 1. Cylinder, Crankcase, Piston, Fan Cover

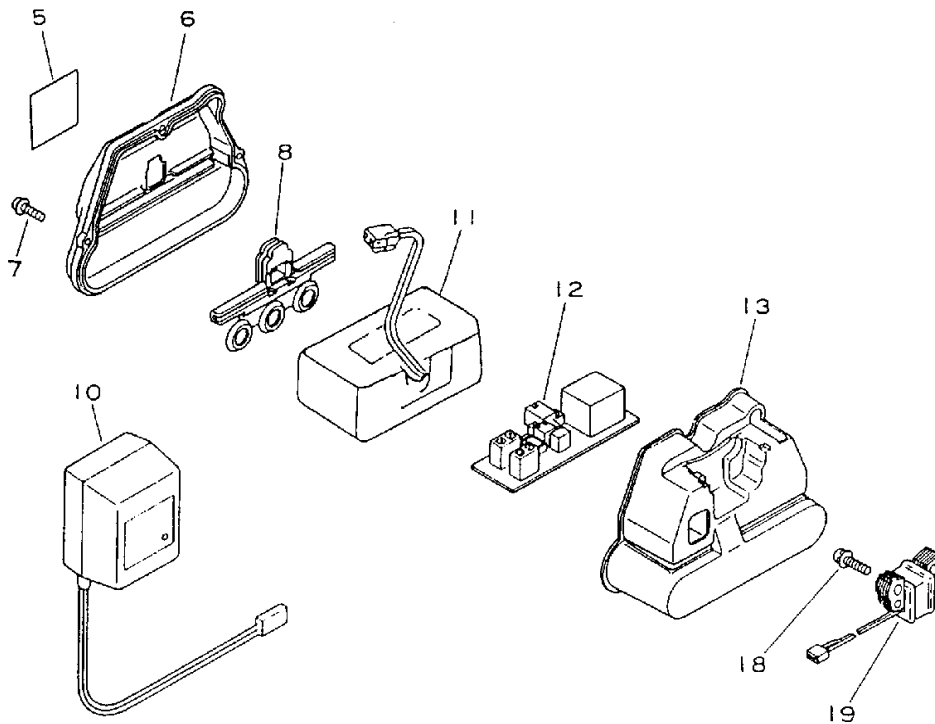
No.1



KEY	LV	PART NUMBER	Q'TY	DESCRIPTION	REMARKS	NOTE1	NOTE2
25		100200-22331	1	CRANKCASE SET		Sus. by 100204-22330	
25		100204-22330	1	CRANKCASE KIT			
16	+	900242-05025	4	SCREW 5*25	5*25		
17	+	100213-05530	1	OILSEAL	ISCD 12 22 7		
20	+	900800-36001	1	BEARING, BALL 6001	6001/C3		
23	+	100242-22330	1	GASKET, CRANKCASE			
24	+	900810-36201	1	BEARING, BALL 6201	6201/C3	Sus. by 94035-36201	
24	+	94035-36201	1	BEARING BALL	6201X3JR2C3		
26	+	100215-03930	2	PIN, DOWEL			
27	+	900702-00032	1	CIRCLIP 32	CR-32		
28	+	100212-03930	1	OILSEAL	ISCX12*32*5.5		
29		132112-45930	1	CLIP, FUEL PIPE			
30		150135-47330	1	GROMMET			
31		101511-48330	1	COVER, FAN		Sus. by 101503-48330	
31		101503-48330	1	COVER ASSY, FAN			
32		131920-48330	2	CUSHION			
33		900242-05020	4	SCREW 5*20	5*20		
34		890112-50730	1	LABEL, MODEL			

## 2. Battery

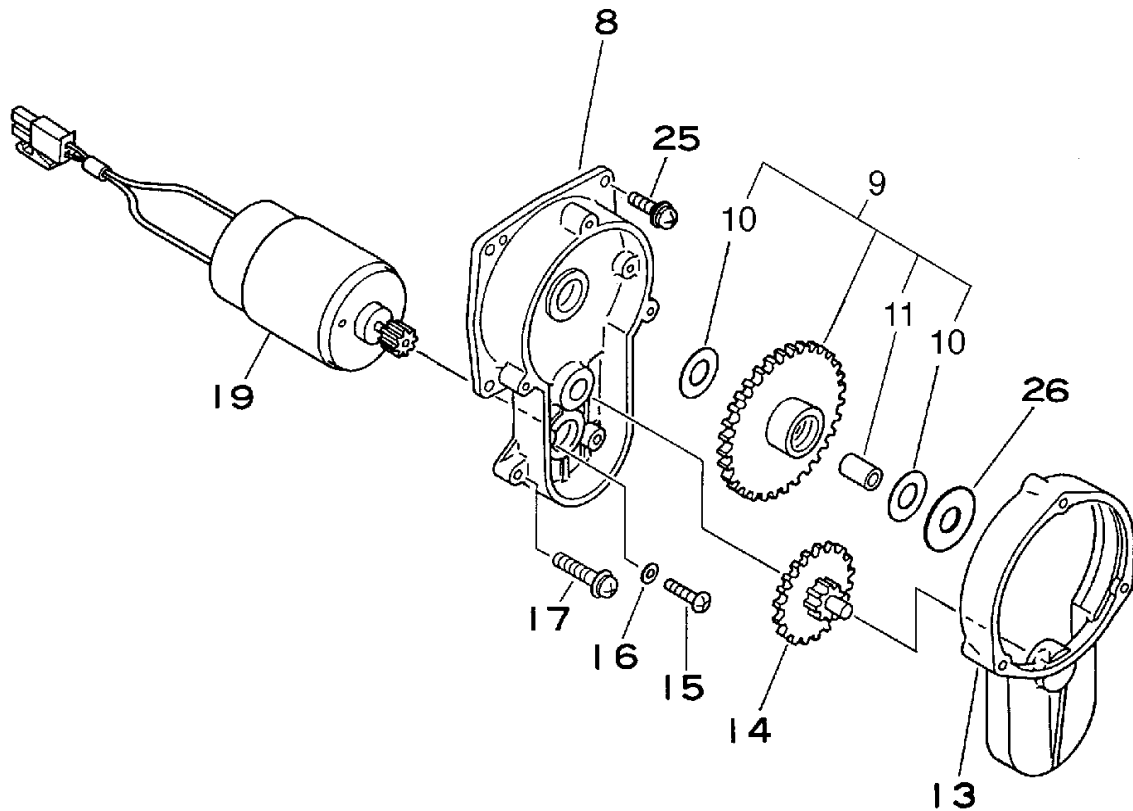
No.2



KEY	LV	PART NUMBER	Q'TY	DESCRIPTION	REMARKS	NOTE1	NOTE2
5		890060-48130	1	LABEL, CAUTION			
6		160056-48330	1	LID, CASE		Sus. by 160056-48331	
6		160056-48331	1	LID, CASE			
7		900242-04014	3	SCREW 4*14	4*14		
8		160055-48130	1	CUSHION			
10		161300-50830	1	CHARGER	220V		
11		160020-48330	1	BATTERY			
12		160042-48130	1	MODULE, CIRCUIT		Sus. by 160042-48132	
12		160042-48131	1	MODULE, CIRCUIT		Sus. by 160042-48132	
12		160042-48132	1	MODULE, CIRCUIT			
13		160054-48330	1	CUSHION		Sus. by 160054-48331	
13		160054-48331	1	CUSHION			
18		900242-04018	2	SCREW 4*18	4*18		
19		161310-48130	1	COIL, CHARGER			

### 3. Motor

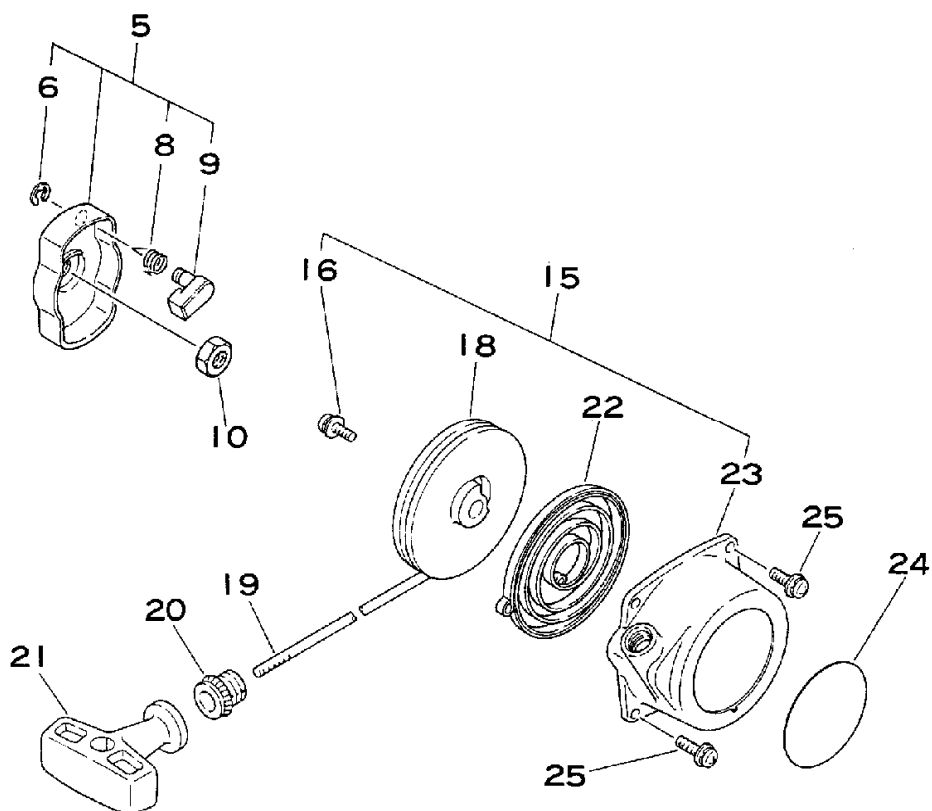
No.3



KEY	LV	PART NUMBER	Q'TY	DESCRIPTION	REMARKS	NOTE1	NOTE2
8		100303-48330	1	CASE, STARTER			
9		160306-47330	1	GEAR ASSY, SPUR			
10	+	161321-11910	2	WASHER, THRUST			
11	+	160615-47330	1	CLUTCH, ONE WAY			
13		160506-11910	1	LID ASSY, STARTERCASE			
14		160305-11910	1	GEAR ASSY, SPUR			
15		900220-03012	2	SCREW (+SR 3*12)	3*12		
16		900603-00003	2	WASHER 3	3.3*8*0.5		
17		900242-04020	2	SCREW 4*20	4*20		
19		160301-48130	1	STARTER MOTOR ASSY			
25		900242-04014	4	SCREW 4*14	4*14		
26		175117-14330	1	WASHER			

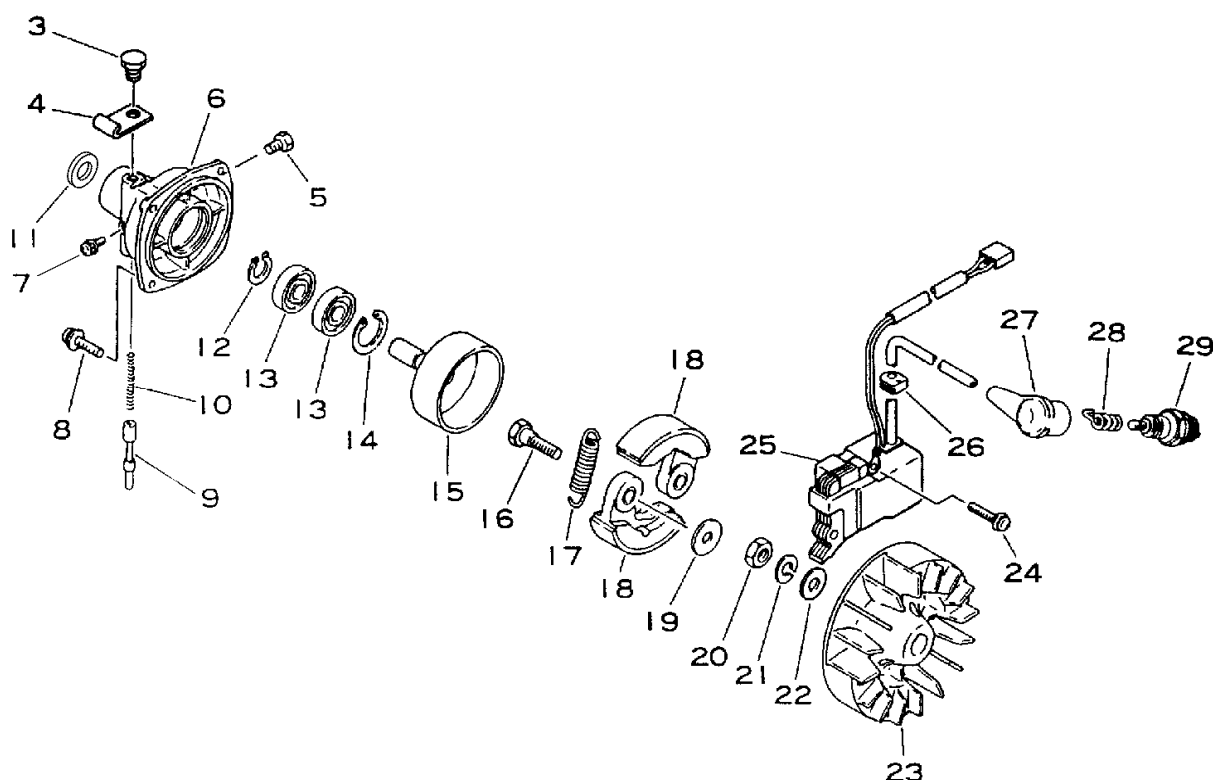
## 4. Starter

No.4



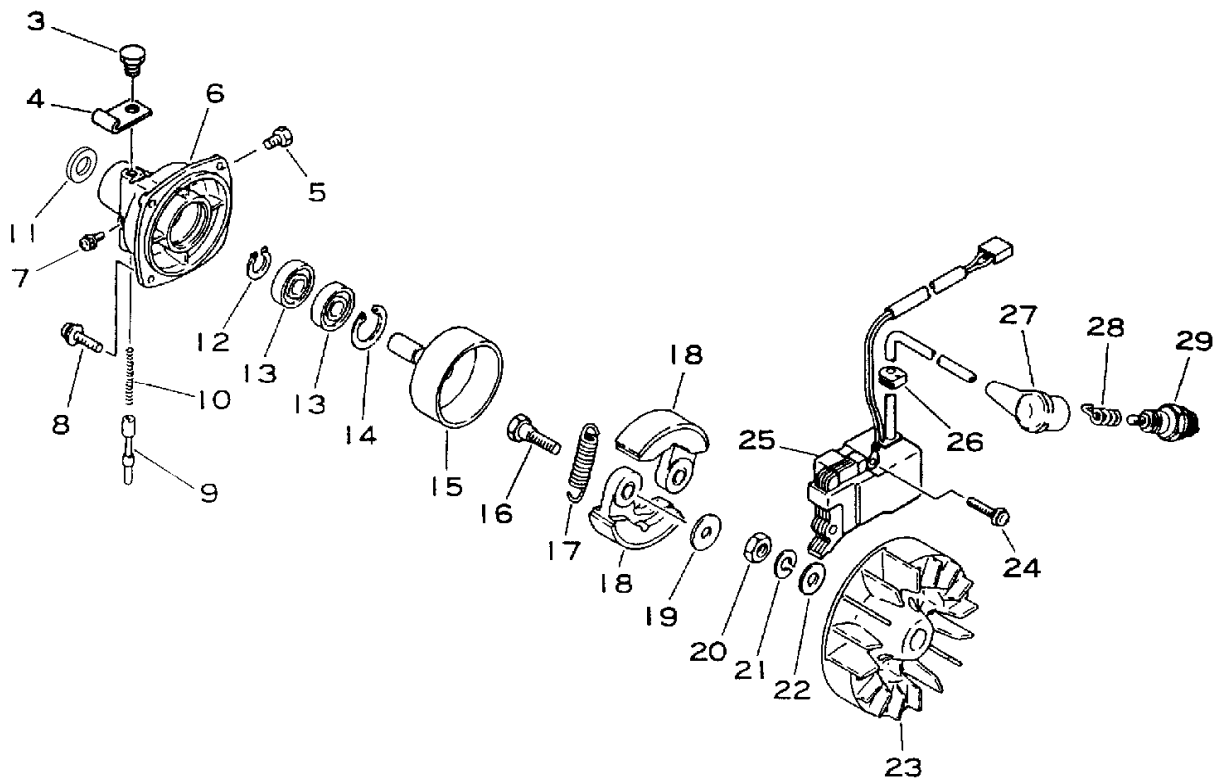
KEY	LV	PART NUMBER	Q'TY	DESCRIPTION	REMARKS	NOTE1	NOTE2
5		177202-42030	1	PAWL ASSY, STARTER		Sus. by 177202-44330	
5		177202-44330	1	PAWL ASSY, STARTER			
6	+	900700-00004	1	E-RING 4	CE-4	Can be used on the 177202-42030 only	
8	+	177234-42030	1	SPRING, RETURN			
9	+	177218-42030	1	PAWL, STARTER		Can be used on the 177202-42030 only	
9	+	177218-44330	1	PAWL, STARTER	BLACK	Can be used on the 177218-44330 only	
10		900502-00008	1	NUT 8 (3N)	3N8		
15		177200-47331	1	STARTER ASSY			
16	+	177236-44330	1	SCREW			
18	+	177215-44330	1	DRUM, STARTER			
19	+	177226-05530	1	ROPE, STARTER	3*890		
20	+	177227-42030	1	GUIDE, ROPE			
21	+	177228-06530	1	GRIP, STARTER			
22	+	177220-42030	1	SPRING, REWIND			
23	+	177232-47331	1	CASE, STARTER W/SCREW			
24		890118-44330	1	LABEL, ECHO			
25		900242-04030	3	SCREW 4*30	4*30		

## 5. Magneto, Clutch



KEY	LV	PART NUMBER	Q'TY	DESCRIPTION	REMARKS	NOTE1	NOTE2
3		610250-45930	1	BOLT			
4		162111-07130	1	CLIP			
5		900100-06008	1	BOLT 6*8	6*8		
6		610223-27631	1	FLANGE, D.S. HOUSING			
7		900242-04008	1	SCREW	4*8	Sus. by 900241-04008	
7		900241-04008	1	SCREW 4*8	4*8		
8		900242-05016	4	SCREW 5*16	5*16		
9		610252-45930	1	LOCKPIN		Sus. by 610452-45931	
9		610252-45931	1	LOCKPIN			
10		610251-45930	1	SPRING			
11		175313-20430	1	RING, FELT			
12		900701-00012	1	CIRCLIP 12	CS-12		
13		900808-06001	2	BEARING, BALL 6001VV	6001VV(LLB)		
14		900702-00028	1	CIRCLIP 28	CR-28		
15		175005-21532	1	DRUM, CLUTCH		Sus. by 175005-57430	
15		175005-57430	1	DRUM, CLUTCH			
16		175046-22332	2	BOLT, CLUTCH			
17		175018-05535	1	SPRING, CLUTCH			
18		175009-05532	2	SHOE, CLUTCH			
19		175048-05530	2	WASHER (I)	6.2*19*1.0		
20		900502-00008	1	NUT 8 (3N)	3N8		
21		900605-00008	1	WASHER, SPRING 8	8		
22		900600-00008	1	WASHER 8	8		

## 5. Magneto, Clutch

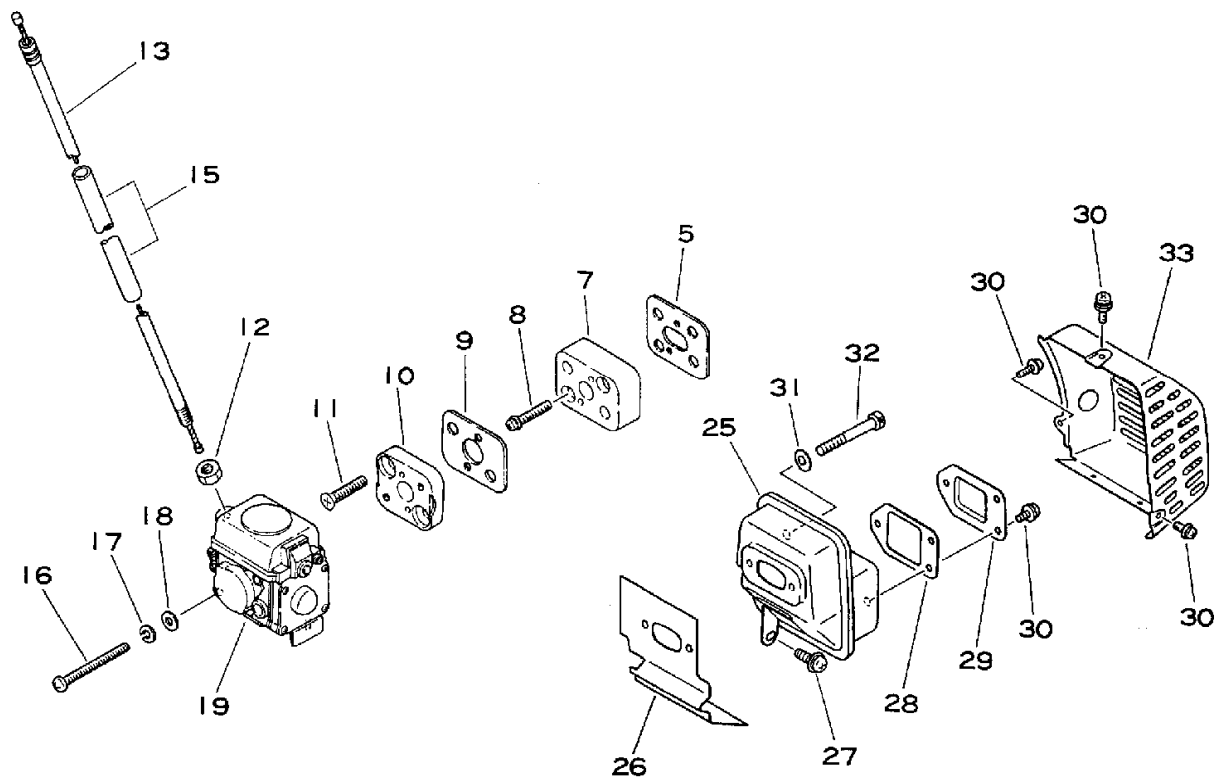


KEY	LV	PART NUMBER	Q'TY	DESCRIPTION	REMARKS	NOTE1	NOTE2
23		156800-48330	1	ROTOR, MAGNETO			
24		900242-04020	2	SCREW 4*20	4*20		
25		156626-48330	1	COIL, IGNITION			
26		152112-05730	1	BUSHING			
27		159012-03433	1	CAP, SPARK PLUG			
28		159011-03432	1	COIL, SPARK PLUG			
29		159010-10630	1	PLUG, SPARK (BPM-7A)	BPM-7A		



## 6. Muffler

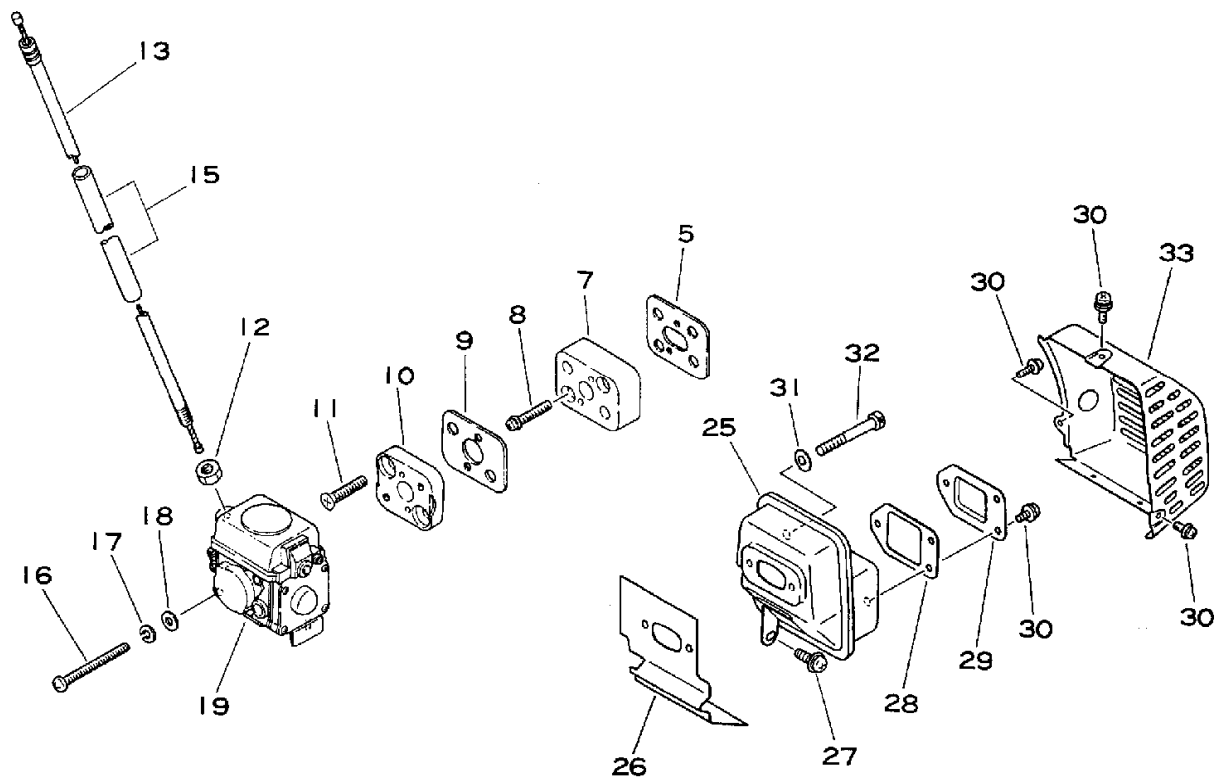
No.6



KEY	LV	PART NUMBER	Q'TY	DESCRIPTION	REMARKS	NOTE1	NOTE2
5		130010-22331	1	GASKET			
7		130007-22330	1	INSULATOR			
8		900242-05025	2	SCREW 5*25	5*25		
9		130016-22331	1	GASKET			
10		130026-40230	1	PLATE			
11		900212-05020	2	SCREW 5*20	+SF5*20		
12		178021-05530	1	LOCKNUT			
13		178004-45630	1	WIRE THROTTLE			
15		178016-47430	1	TUBE	6*7*20 BL		
16		900220-04045	2	SCREW +-SR 4*45	4*45		
17		900605-00004	2	WASHER, SPRING 4	4		
18		900602-00004	2	WASHER 4	4.3*9*0.8		
19		123000-48330	1	CARBURETOR ASSY	WZ-44		
25		145610-48431	1	MUFFLER, EXHAUST		Sus. by 145610-48432	
25		145610-48432	1	MUFFLER			
26		145510-45431	1	GASKET, MNFFLER			
27		900242-05010	1	SCREW 5*10	5*10		
28		145866-27231	1	GASKET, MUFFLER LID		Can be used on the 145610-48431 only	
29		145613-40230	1	LID, MUFFLER		Can be used on the 145610-48431 only	

## 6. Muffler

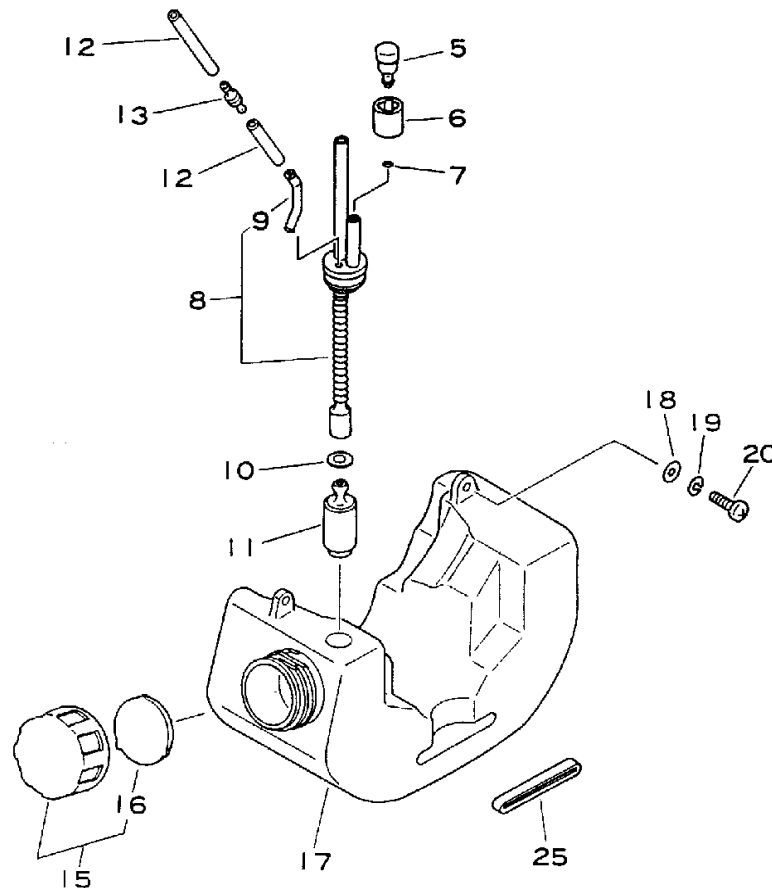
No.6



KEY	LV	PART NUMBER	Q'TY	DESCRIPTION	REMARKS	NOTE1	NOTE2
30		900242-04010	3	SCREW 4*10	4*10		Can be used on the 145610-48431 only
30		900242-04010	3	SCREW 4*10	4*10		
31		900600-00005	2	WASHER 5	5		
32		900105-05045	2	BOLT,H.S. 5*45	5*45		
33		145621-48430	1	COVER, MUFFLER			

## 7. Fuel Tank

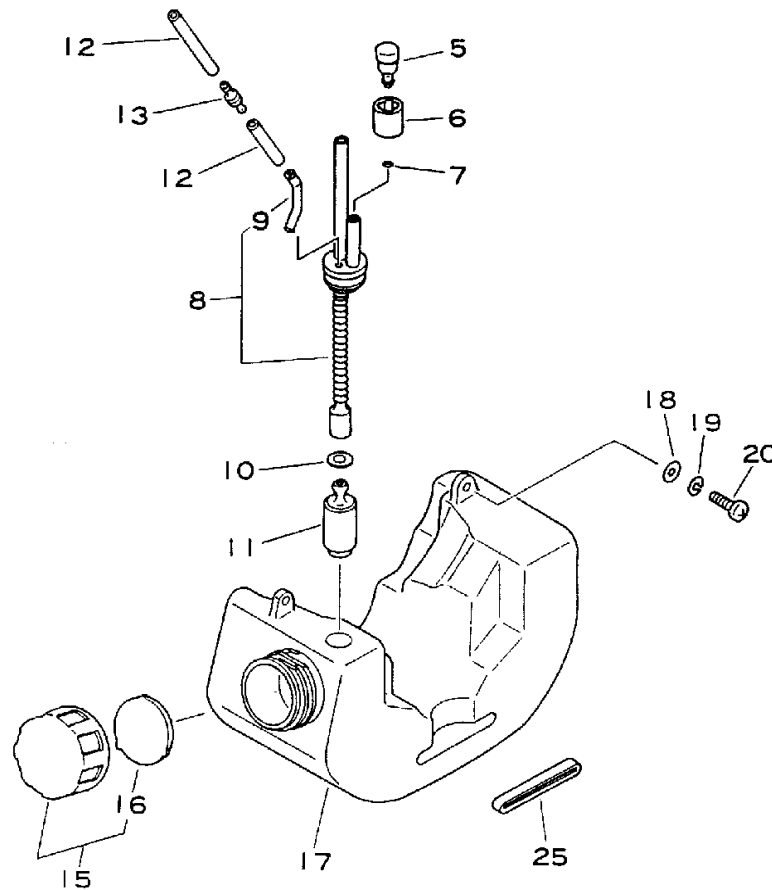
No.7



KEY	LV	PART NUMBER	Q'TY	DESCRIPTION	REMARKS	NOTE1	NOTE2
5		131300-40630	1	VALVE, CHECK		Sus. by 131300-56430	
5		131300-56430	1	VALVE, CHECK			
6		131328-40630	1	COVER, VENT			
7		130111-00530	1	CLIP	5.5		
8		132002-47330	1	PIPE, FUEL			
9	+	132021-40630	1	CONNECTOR, PIPE			
11		131200-21330	1	STRAINER, FUEL		Sus. by 131205-19830	
10	+	900603-00005	1	WASHER 5	5.5*12*0.8	Can be used on the 131200-21330 only	
11		131205-50430	1	STRAINER, FUEL		Sus. by 131205-19830	
11		131205-19830	1	STRAINER, FUEL			
12		132716-45630	1	PIPE, FUEL	3*6*25	Sus. by 132010-45730	
12		132010-45730	2	PIPE 3*6*25	3*6*25 YL		
13		132001-45730	1	VALVE, CHECK			
15		131004-40930	1	CAP ASSY. FUEL TANK		Sus. by 131004-55830	
15		131004-55830	1	CAP ASSY, FUEL TANK			
16	+	131016-40930	1	GASKET, FUEL CAP		Can be used on the 131004-40930 only	

## 7. Fuel Tank

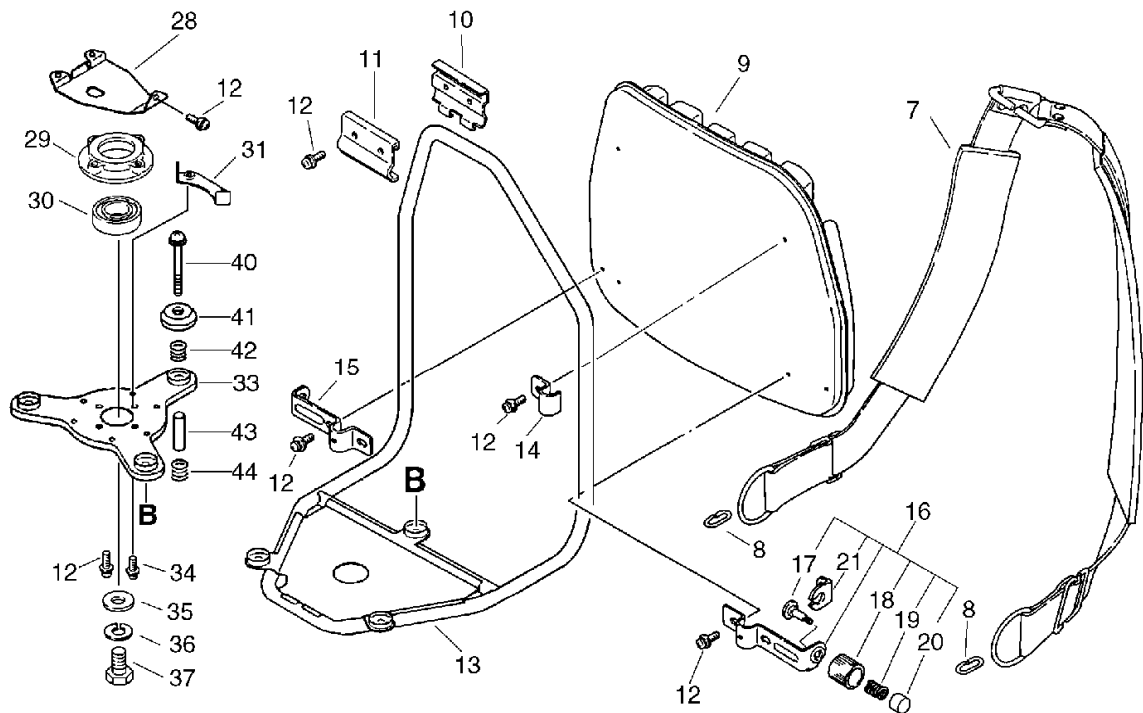
No.7



KEY	LV	PART NUMBER	Q'TY	DESCRIPTION	REMARKS	NOTE1	NOTE2
16	+	131016-55830	1	GASKET, FUEL CAP			Can be used on the 131004-55830 only
17		131005-48330	1	FUEL, TANK			
18		900603-00005	2	WASHER 5	5.5*12*0.8		
19		900605-00005	2	WASHER, SPRING 5	5		
20		900220-05016	2	SCREW 5*16	5*16		
25		131920-28230	1	CUSHION, FUEL TANK			

## 8. Harness

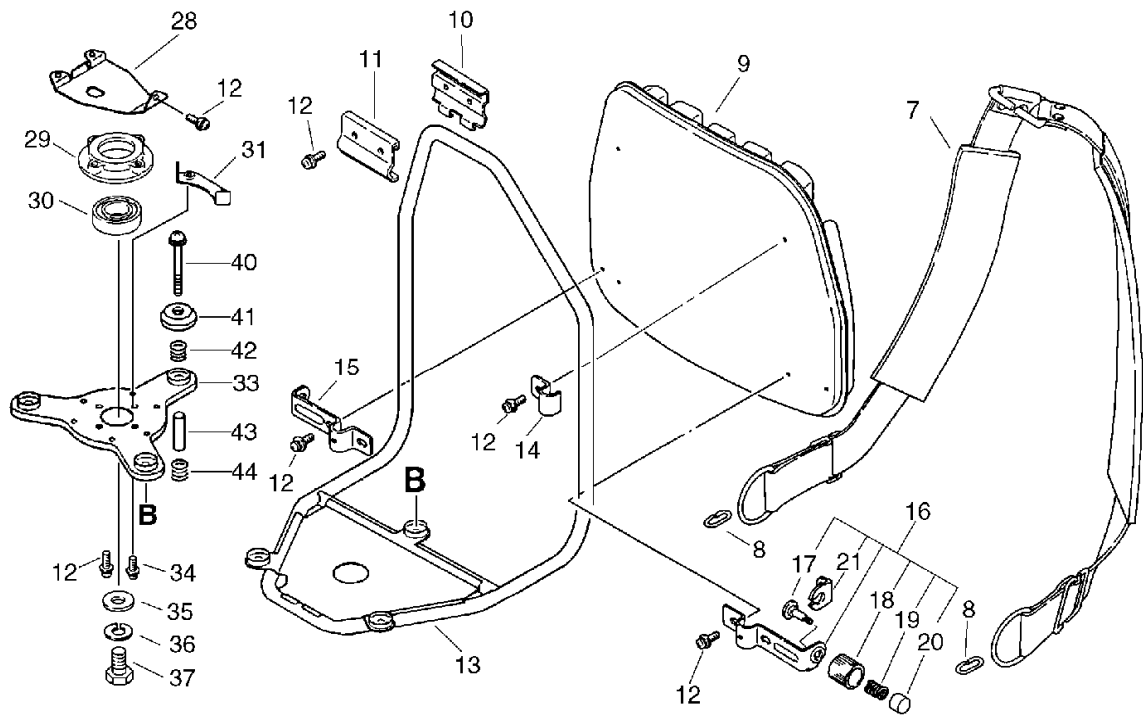
No.8



KEY	LV	PART NUMBER	Q'TY	DESCRIPTION	REMARKS	NOTE1	NOTE2
7		300300-27630	1	HARNESS, BACKPACK		Sus. by 300300-50130	
7		300300-50130	1	HARNESS, BACKPACK			
8		300319-01611	2	RING, HARNESS			
9		300105-27630	1	CUSHION			
10		300610-22030	1	PLATE, KNAPSACK BAND			
11		300616-22030	1	PLATE, KNAPSACK BAND			
12		900242-05012	14	SCREW 5*12	5*12		
13		300005-48430	1	FRAME, BACKPACK			
14		300220-20430	2	BRACKET, CUSHION			
15		300226-27630	1	PLATE (L)		Sus. by 300226-27631	
15		300226-27631	1	PLATE (L)			
16		300200-27630	1	BRACKET ASSY			
17	+	300715-27630	1	SHAFT			
18	+	300717-27630	1	GUARD			
19	+	300713-27630	1	SPRING			
20	+	300711-27630	1	BUTTON			
21	+	300716-27630	1	PLATE			
28		104908-48430	1	BRACKET			
29		699226-05430	1	HOLDER, BEARING			
30		900814-06202	1	BEARING, BALL 6202	6202ZZ	Sus. by 94064-06202	
30		94064-06202	1	BEARING BALL	BB6202ZZ		
31		104931-27630	1	STOPPER			
33		104807-48430	1	PLATE, SWIVEL			

## 8. Harness

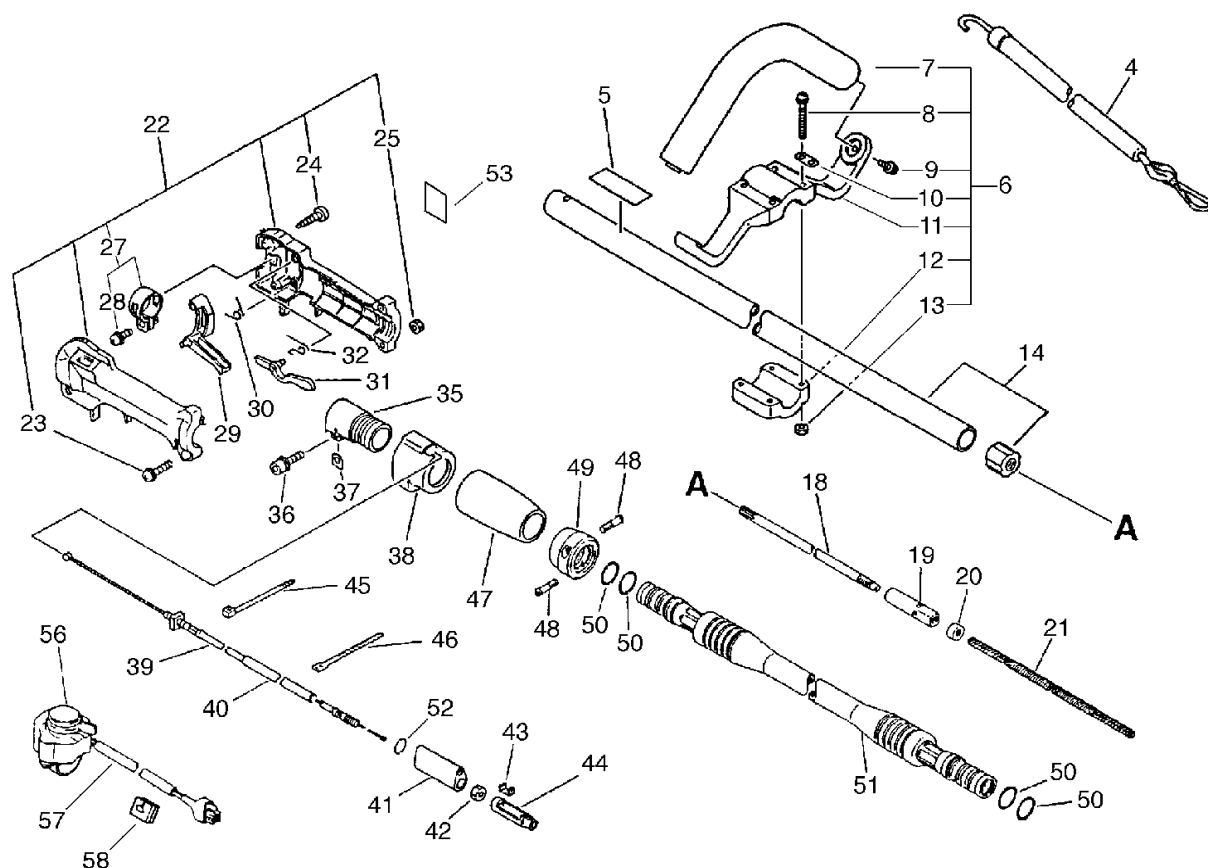
No.8



KEY	LV	PART NUMBER	Q'TY	DESCRIPTION	REMARKS	NOTE1	NOTE2
34		900242-04010	2	SCREW 4*10	4*10		
35		900600-00010	1	WASHER 10	10		
36		900605-00010	1	WASHER, SPRING 10	10		
37		900100-10020	1	BOLT 10*20	10*20		
40		900242-05040	3	SCREW 5*40	5*40		
41		104942-47430	3	SEAT, SPRING			
42		104940-47430	3	SPRING			
43		104941-48430	3	COLLAR			
44		104940-48230	3	SPRING			

## 9. Handle

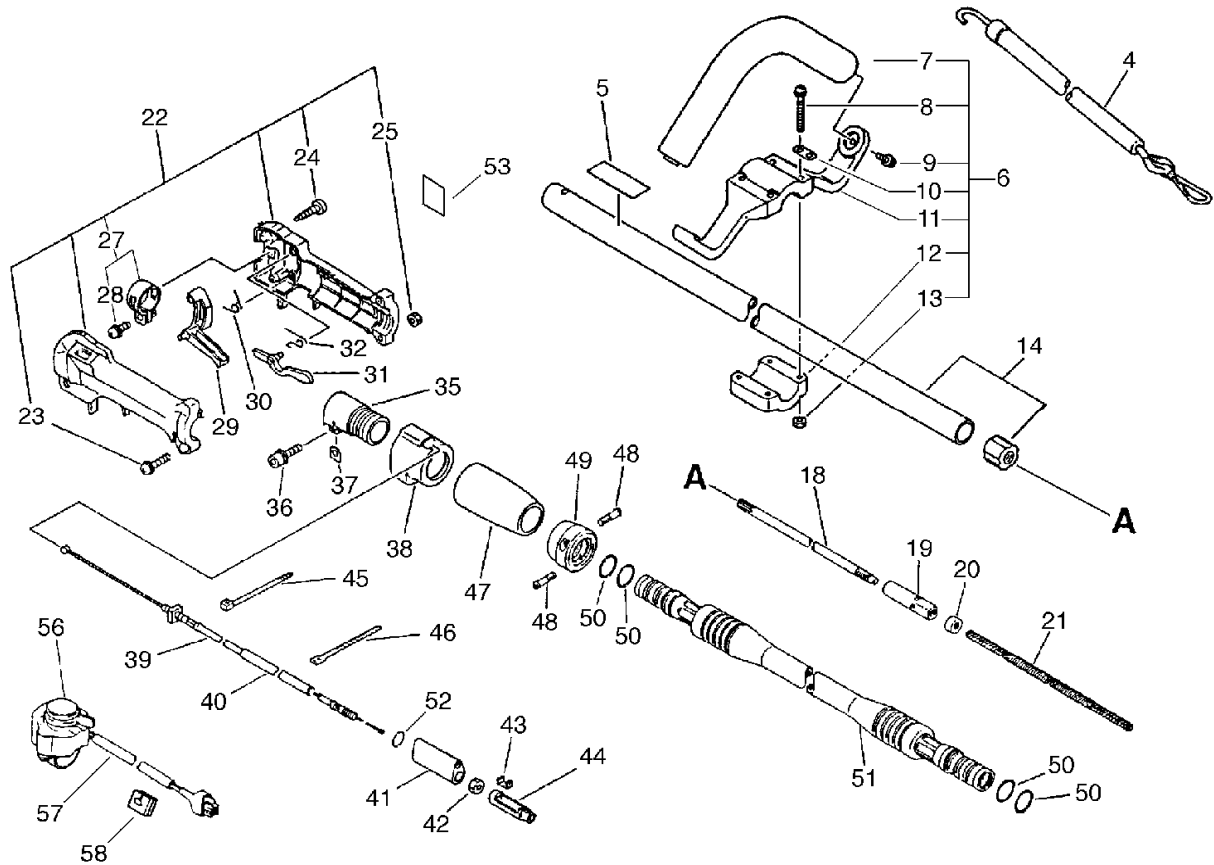
No.9



KEY	LV	PART NUMBER	Q'TY	DESCRIPTION	REMARKS	NOTE1	NOTE2
4		300500-07131	1	ROPE, ELASTIC			
5		890160-46730	1	LABEL, CAUTION			
6		351201-07132	1	HANDLE ASSY, LOOP	25ミリ		
7	+	351205-07130	1	HANDLE		Sus. by 351205-07131	
7	+	351205-07131	1	HANDLE			
8	+	900242-05035	4	SCREW 5*35	5*35		
9	+	900242-05014	2	SCREW 5*14	5*14		
10	+	300515-07130	1	PLATE, ROPE			
11	+	351232-07131	1	BRACKET, HANDLE 25	25		
12	+	351225-07130	1	BRACKET, HANDLE (25)	25		
13	+	900500-00005	4	NUT 5	5		
14		610206-27630	1	HOUSING ASS'Y, D.SFT		Sus. by 610206-27631	
14		610206-27631	1	HOUSING ASS'Y, D.SFT			
18		610011-29430	1	SHAFT, DRIVE			
19		610012-07132	1	CONNECTOR, D. SHAFT			
20		610020-07130	1	ADAPTER, FLX. SHAFT		Sus. by 610020-07131	
20		610020-07131	1	ADAPTER, FLX. SHAFT			
21		610013-27630	1	SHAFT, FLEXIBLE(HARD)			
22		351102-29430	1	GRIP ASSY, F-HANDLE			
23	+	900238-05025	1	SCREW 5*25	5*25		
24	+	900253-04018	3	SCREW TAPPING 4*18	4*18		
25	+	900500-00005	1	NUT 5	5		
27	+	301200-29430	1	BAND ASSY			

## 9. Handle

No.9

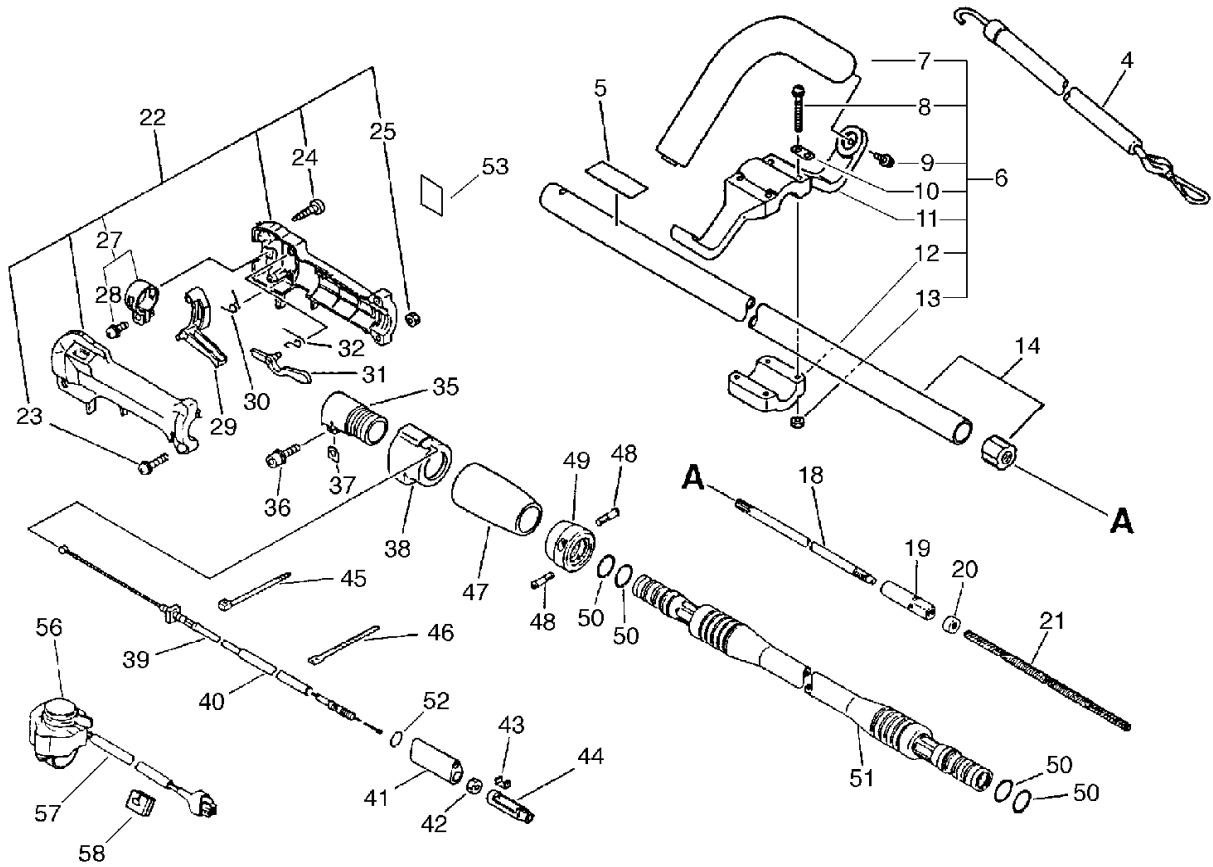


KEY	LV	PART NUMBER	Q'TY	DESCRIPTION	REMARKS	NOTE1	NOTE2
28	++	900238-05012	1	SCREW 5*12	5*12		
29		178010-42231	1	CONTROL, THROTTLE		Sus. by 178010-42232	
29		178010-42232	1	CONTROL, THROTTLE			
30		178043-42230	1	SPRING, THR. RETURN			
31		178012-42230	1	LOCKOUT, THROTTLE			
32		178013-42230	1	SPRING, THR. LOCKOUT			
35		610248-29430	1	COUPLING, MAIN PIPE			
36		900162-05020	1	BOLT, H.S. 5*20	5*20 W,SW		
37		610239-04130	1	WASHER, SHIM			
38		610275-42230	1	BOOT, CONNECTOR			
39		178002-42230	1	WIRE, THROTTLE			
40		178127-42230	1	TUBE	10*11*810		
41		178128-05630	1	SLEEVE			
42		178021-05530	1	LOCKNUT			
43		178049-06630	1	CONNECTOR			
44		178114-05630	1	CONNECTOR, THR. WIRE			
45		178121-10050	1	BAND	CV-150		
46		178121-45930	1	BAND			
47		610276-27631	1	COVER			
48		610257-27630	2	BOLT			
49		610260-27630	1	SPACER, D/S HOUSING			
50		900720-00018	4	O-RING 18	P-18		
51		610209-27630	1	COVER, FLEXIBLE			
52		178133-22330	1	RING			
53		890124-07130	1	LABEL, CAUTION			



# 9. Handle

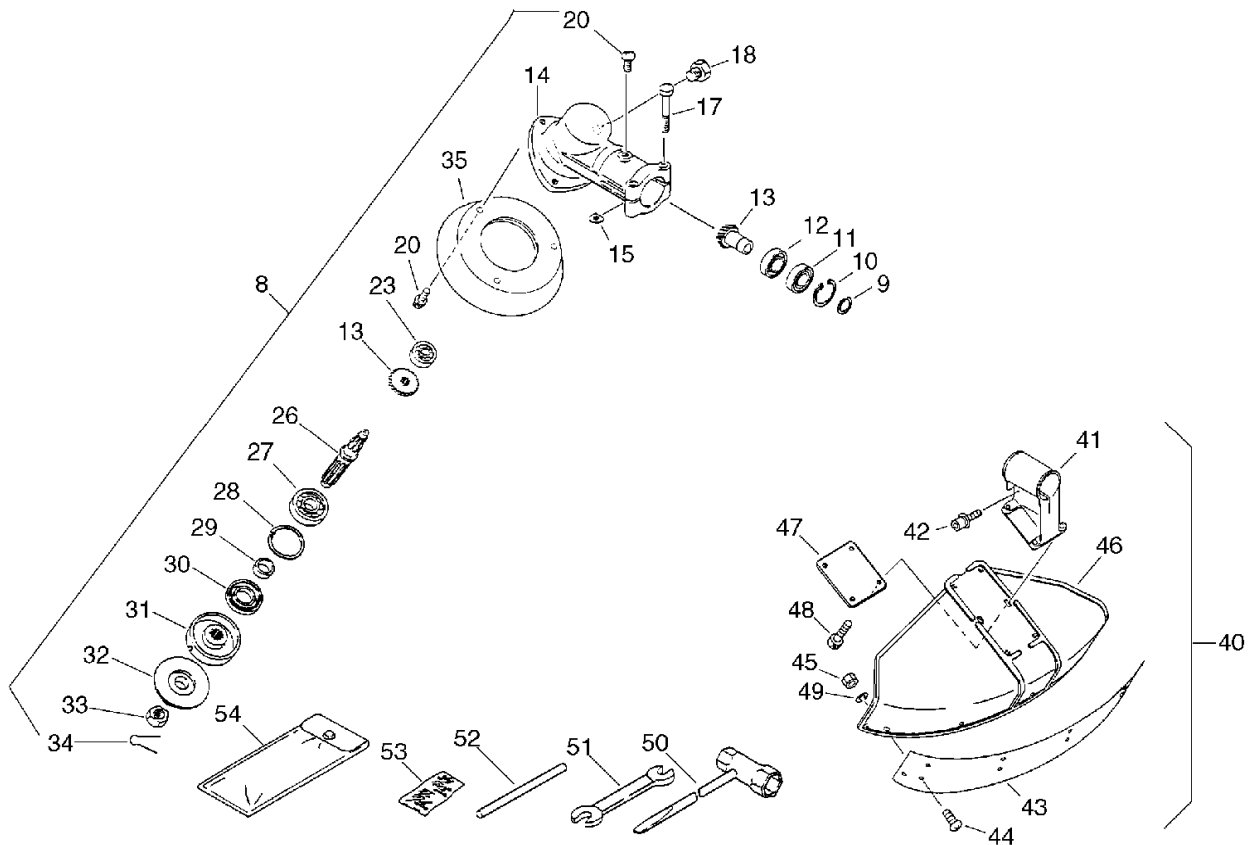
No.9



KEY	LV	PART NUMBER	Q'TY	DESCRIPTION	REMARKS	NOTE1	NOTE2
56		163300-50730	1	SWITCH, STARTER			
57		156111-48230	1	TUBE			
58		150114-50830	1	GROMMET			

## 10. Gear Case, Shield, Tools

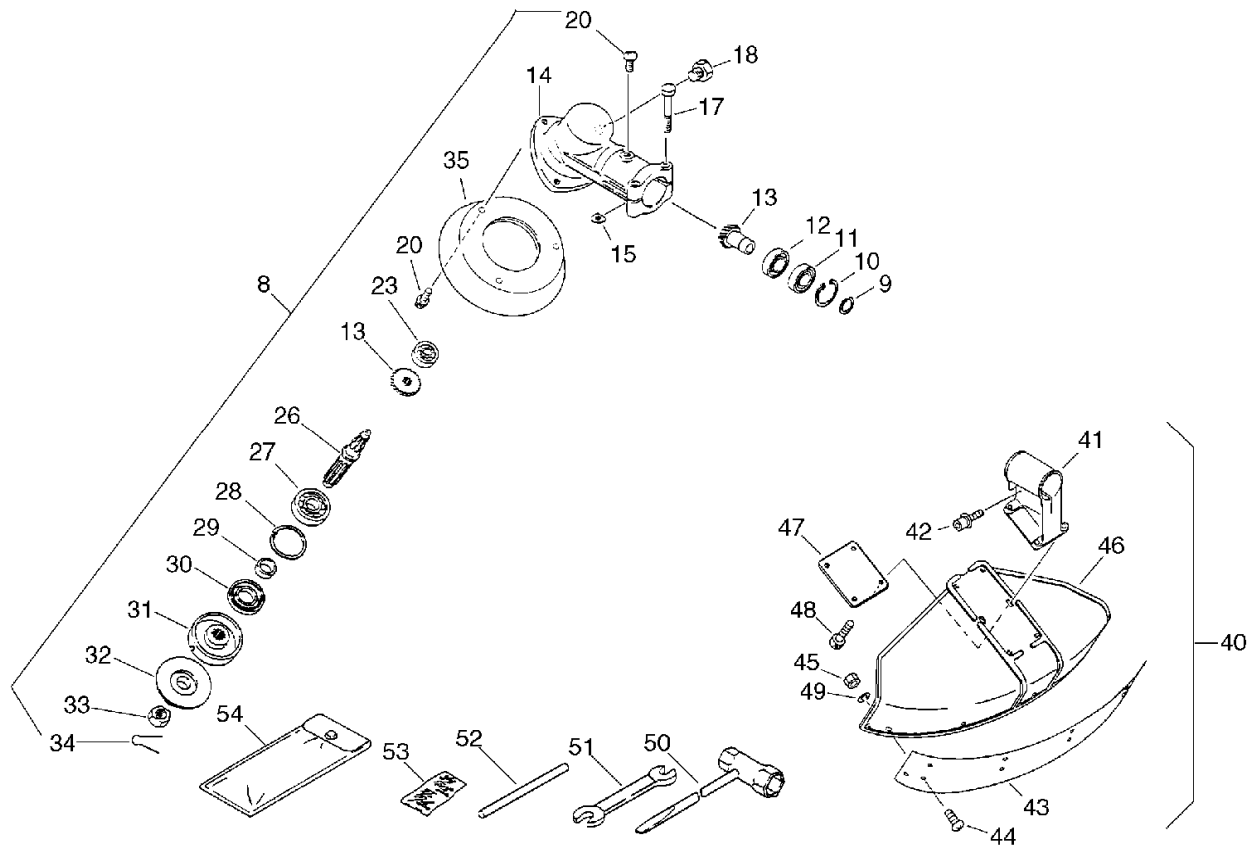
No.10



KEY	LV	PART NUMBER	Q'TY	DESCRIPTION	REMARKS	NOTE1	NOTE2
8		610400-27230	1	HOUSING ASS'Y, GEAR			
9	+	900706-00010	1	CIRCLIP 10	WR-10		
10	+	900702-00022	1	CIRCLIP 22	CR-22		
11	+	900858-06900	1	BEARING, BALL 6900Z	6900Z		
12	+	900855-06900	1	BEARING, BALL 6900	6900		
13	+	610300-22831	1	GEAR SET			
14	+	610410-22830	1	CASE, GEAR			
15	+	610239-04130	2	WASHER, SHIM			
17	+	900142-05028	2	BOLT 5*28 (W/W,SW)	5*28		
18	+	900100-08008	1	BOLT 8*8	8*8	Sus. by 610434-50031	
18	+	610434-50030	1	BOLT 8*6		Sus. by 610434-50031	
18	+	610434-50031	1	BOLT 8*8	M8*8		
20	+	900242-05010	4	SCREW 5*10	5*10		
23	+	900810-00626	1	BEARING, BALL 626	626		
26	+	610310-40830	1	SHAFT, P.T.O.			
27	+	900800-06000	1	BEARING, BALL 6000	6000		
28	+	900702-00026	1	CIRCLIP 26	CR-26		
29	+	610315-22830	1	SPACER			
30	+	610413-22830	1	OILSEAL			
31	+	610313-22830	1	PLATE, ADAPTER (U)			
32	+	610314-27230	1	PLATE, ADAPTER			
33	+	900511-00010	1	NUT 10 (L-H)	10*P1.25		
34	+	900300-20022	1	PIN, SPLIT 2*22	2*22		
35	+	610443-22830	1	PLATE, GUARD (WH)			

## 10. Gear Case, Shield, Tools

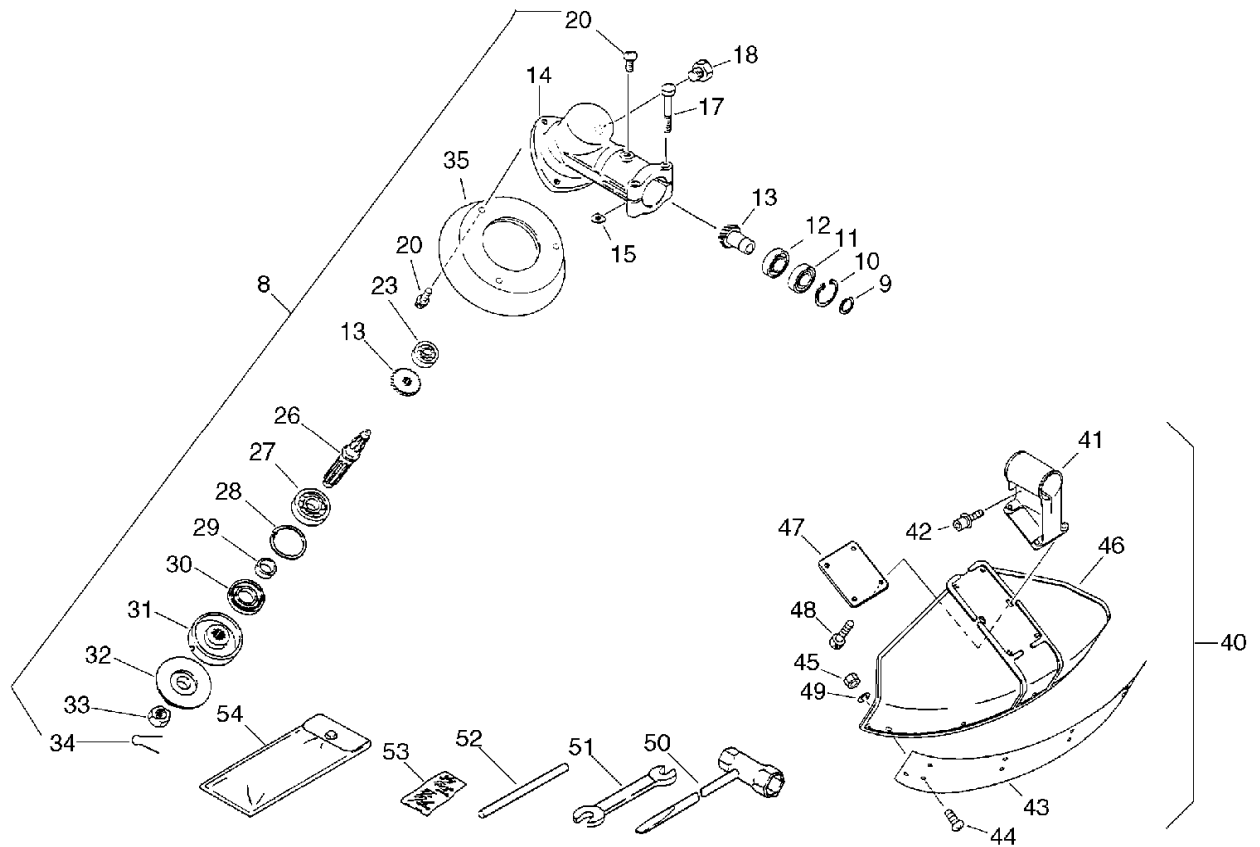
No.10



KEY	LV	PART NUMBER	Q'TY	DESCRIPTION	REMARKS	NOTE1	NOTE2
40		699000-50730	1	SHIELD ASSY		Sus. by 699000-44730	
40		699000-44730	1	SHIELD ASSY			
41	+	699011-27230	1	BRACKET, SHIELD			
42	+	900142-05025	2	BOLT 5*25 (W/W,SW)	5*25		
43	+	699013-27230	1	PLATE, SHIELD			
44	+	900242-05012	4	SCREW 5*12	5*12	Can be used on the 699000-44730 only	
44	+	900242-05018	4	SCREW 5*18	5*18	Can be used on the 699000-50730 only	
45	+	900500-00005	4	NUT 5	5		
46	+	699010-29430	1	SHIELD, BLADE		Sus. by 699010-54430	
46	+	699010-54430	1	SHIELD, BLADE			
47	+	699015-52130	1	PLATE, SHIELD		Can be used on the 699000-50730 only	
48	+	900242-05012	4	SCREW 5*12	5*12	Can be used on the 699000-44730 only	
48	+	900242-05014	4	SCREW 5*14	5*14	Can be used on the 699000-50730 only	

## 10. Gear Case, Shield, Tools

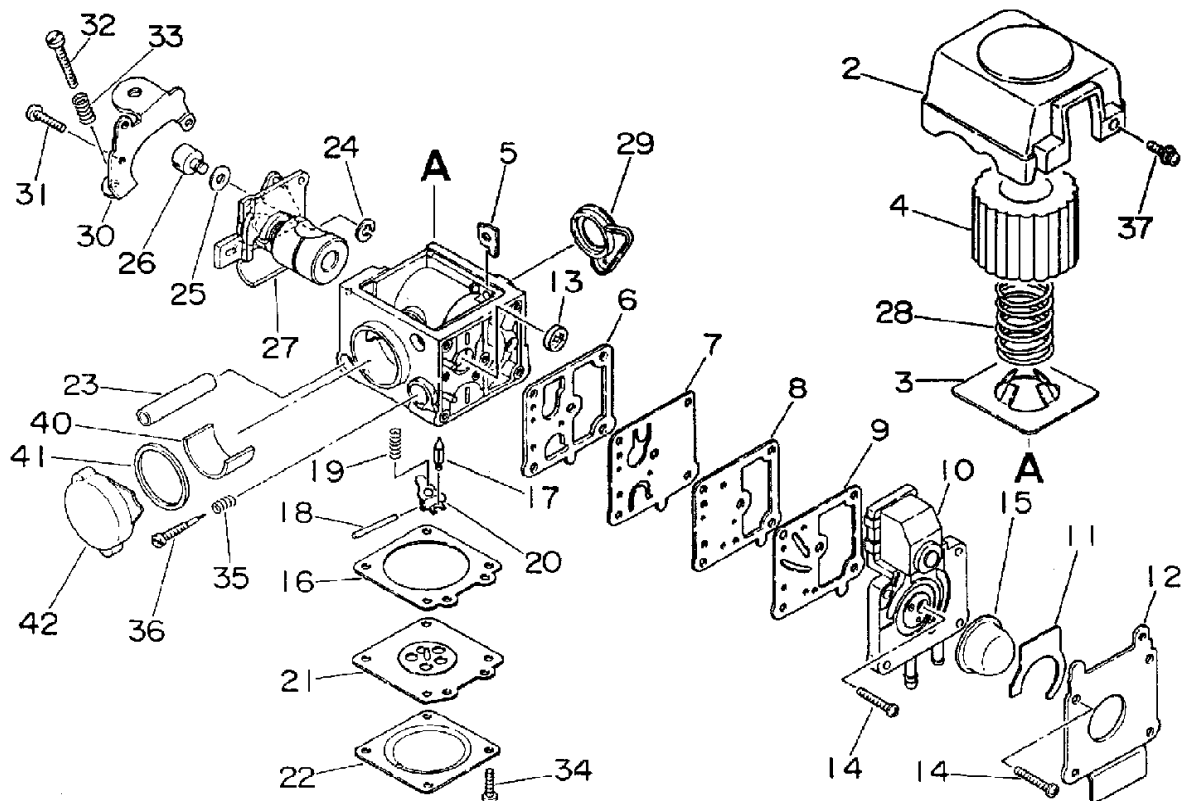
No.10



KEY	LV	PART NUMBER	Q'TY	DESCRIPTION	REMARKS	NOTE1	NOTE2
49	+	900603-00005	4	WASHER 5	5.5*12*0.8	Can be used on the 699000-50730 only	
50		895410-08030	1	WRENCH, W/S. DRIVER		Sus. by X602- 000020	
50		X602-000020	1	TOOL,WRENCH	17*19 L200		
51		895112-00330	1	SPANNER 8*10			
52		897518-01131	1	LOCKING TOOL			
53		898502-01130	1	PIN 2*22 (W/POUCH)			
54		898510-39130	1	BAG, TOOL			

# 11. Carburetor

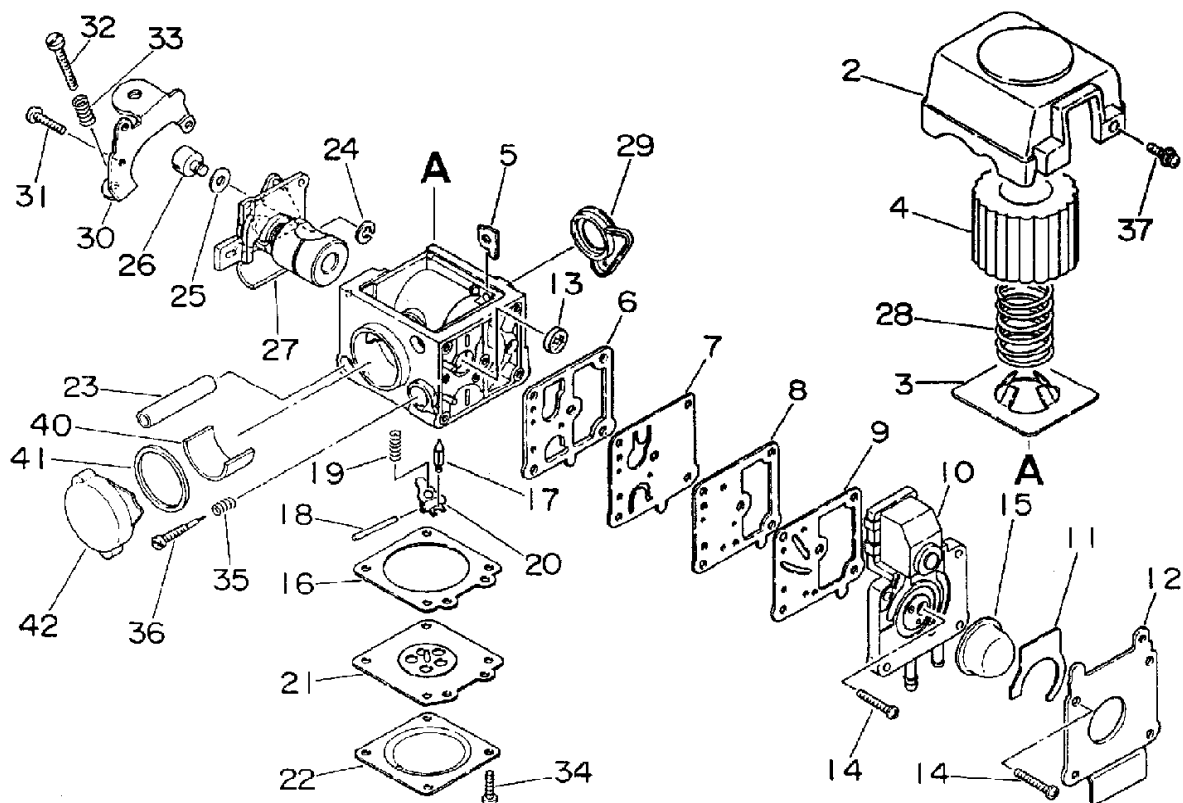
No.11



KEY	LV	PART NUMBER	Q'TY	DESCRIPTION	REMARKS	NOTE1	NOTE2
		123000-48330	1	CARBURETOR ASSY	WZ-44		
2	+	130313-26030	1	COVER, AIR CLEANER			
3	+	130311-26030	1	PLATE, CLEANER			
4	+	130310-26030	1	FILTER, AIR			
5	+	123157-26030	1	PLATE, MOUNT. SLEEVE			
6	+	123125-26030	1	GASKET, PUMP			
7	+	123112-26030	1	DIAPHRAGM, PUMP			
8	+	123160-26030	1	PLATE, PUMP			
9	+	123159-26030	1	GASKET, PLATE			
10	+	123124-26030	1	COVER, PUMP			
11	+	123162-26030	1	GASKET, OVERFLOW			
12	+	123163-26030	1	BRACKET, PRIMER PUMP			
13	+	123126-10631	1	SCREEN, INLET			
14	+	123110-26030	5	SCREW, PUMP COVER			
15	+	123181-40630	1	PUMP, PRIMER			
16	+	123140-03930	1	GASKET, M. DIAPHRAGM			
17	+	123137-19830	1	VALVE, INLET NEEDLE			
18	+	123138-03930	1	PIN, METERING LEVER			
19	+	123122-03930	1	SPRING, METER. LEVER			
20	+	123123-03930	1	LEVER, METERING			
21	+	123141-03930	1	DIAPHRAGM, METERING			
22	+	123142-03930	1	COVER, M. DIAPHRAGM			
23	+	123158-26030	1	SLEEVE, MOUNTING			
24	+	123173-07930	1	CLIP			
25	+	123149-26030	1	WASHER			
26	+	123172-26030	1	SWIVEL			

# 11. Carburetor

No.11



KEY	LV	PART NUMBER	Q'TY	DESCRIPTION	REMARKS	NOTE1	NOTE2
27	+	123116-40030	1	VALVE, THROTTLE			
28	+	130316-26030	1	SPRING, FILTER			
29	+	123143-40030	1	RING, PACKING			
30	+	123128-26030	1	BRACKET, CABLE			
31	+	123114-26030	2	SCREW			
32	+	123134-40030	1	SCREW, IDLE ADJUST			
33	+	123133-26030	1	SPRING, IDLE ADJUST			
34	+	123144-26030	4	SCREW			
35	+	123119-26030	1	SPRING, H.S. NEEDLE			
36	+	123118-24430	1	NEEDLE, IDLE			
37	+	123130-26030	2	SCREW			
40	+	123147-40230	1	FILTER, WICK			
41	+	123175-26030	1	GASKET, INTAKE CAP			
42	+	123176-40030	1	CAP, INTAKE			

**Index**

<b>Patrs Number</b>	<b>Key No.</b>	<b>Patrs Number</b>	<b>Key No.</b>	<b>Patrs Number</b>	<b>Key No.</b>
100000-45430	1 - 13	123138-03930	11 - 18	145610-48432	6 - 25
100000-45431	1 - 13	123140-03930	11 - 16	145613-40230	6 - 29
100010-45430	1 - 13	123141-03930	11 - 21	145621-48430	6 - 33
100011-05330	1 - 12	123142-03930	11 - 22	145866-27231	6 - 28
100012-22330	1 - 19	123143-40030	11 - 29	150114-04920	1 - 6
100013-22330	1 - 15	123144-26030	11 - 34	150114-50830	9 - 58
100014-45430	1 - 18	123147-40230	11 - 40	150135-47330	1 - 30
100015-04630	1 - 14	123149-26030	11 - 25	152112-05730	5 - 26
100100-48330	1 - 21	123157-26030	11 - 5	156111-48230	9 - 57
100100-48331	1 - 21	123158-26030	11 - 23	156626-48330	5 - 25
100100-48332	1 - 21	123159-26030	11 - 9	156800-48330	5 - 23
100142-12330	1 - 22	123160-26030	11 - 8	159010-10630	5 - 29
100200-22331	1 - 25	123162-26030	11 - 11	159011-03432	5 - 28
100204-22330	1 - 25	123163-26030	11 - 12	159012-03433	5 - 27
100212-03930	1 - 28	123172-26030	11 - 26	160020-48330	2 - 11
100213-05530	1 - 17	123173-07930	11 - 24	160042-48130	2 - 12
100215-03930	1 - 26	123175-26030	11 - 41	160042-48131	2 - 12
100242-22330	1 - 23	123176-40030	11 - 42	160042-48132	2 - 12
100303-48330	3 - 8	123181-40630	11 - 15	160054-48330	2 - 13
101010-22331	1 - 11	130007-22330	6 - 7	160054-48331	2 - 13
101011-22330	1 - 9	130010-22331	6 - 5	160055-48130	2 - 8
101503-48330	1 - 31	130016-22331	6 - 9	160056-48330	2 - 6
101511-48330	1 - 31	130026-40230	6 - 10	160056-48331	2 - 6
101514-48330	1 - 7	130111-00530	7 - 7	160301-48130	3 - 19
104807-48430	8 - 33	130310-26030	11 - 4	160305-11910	3 - 14
104908-48430	8 - 28	130311-26030	11 - 3	160306-47330	3 - 9
104931-27630	8 - 31	130313-26030	11 - 2	160506-11910	3 - 13
104940-47430	8 - 42	130316-26030	11 - 28	160615-47330	3 - 11
104940-48230	8 - 44	131004-40930	7 - 15	161300-50830	2 - 10
104941-48430	8 - 43	131004-55830	7 - 15	161310-48130	2 - 19
104942-47430	8 - 41	131005-48330	7 - 17	161321-11910	3 - 10
123000-48330	11 -	131016-40930	7 - 16	162111-07130	5 - 4
123000-48330	6 - 19	131016-55830	7 - 16	163300-50730	9 - 56
123110-26030	11 - 14	131200-21330	7 - 11	175005-21532	5 - 15
123112-26030	11 - 7	131205-19830	7 - 11	175005-57430	5 - 15
123114-26030	11 - 31	131205-50430	7 - 11	175009-05532	5 - 18
123116-40030	11 - 27	131300-40630	7 - 5	175018-05535	5 - 17
123118-24430	11 - 36	131300-56430	7 - 5	175046-22332	5 - 16
123119-26030	11 - 35	131328-40630	7 - 6	175048-05530	5 - 19
123122-03930	11 - 19	131920-28230	7 - 25	175117-14330	3 - 26
123123-03930	11 - 20	131920-48330	1 - 32	175313-20430	5 - 11
123124-26030	11 - 10	132001-45730	7 - 13	177200-47331	4 - 15
123125-26030	11 - 6	132002-47330	7 - 8	177202-42030	4 - 5
123126-10631	11 - 13	132010-45730	7 - 12	177202-44330	4 - 5
123128-26030	11 - 30	132021-40630	7 - 9	177215-44330	4 - 18
123130-26030	11 - 37	132112-45930	1 - 29	177218-42030	4 - 9
123133-26030	11 - 33	132716-45630	7 - 12	177218-44330	4 - 9
123134-40030	11 - 32	145510-45431	6 - 26	177220-42030	4 - 22
123137-19830	11 - 17	145610-48431	6 - 25	177226-05530	4 - 19

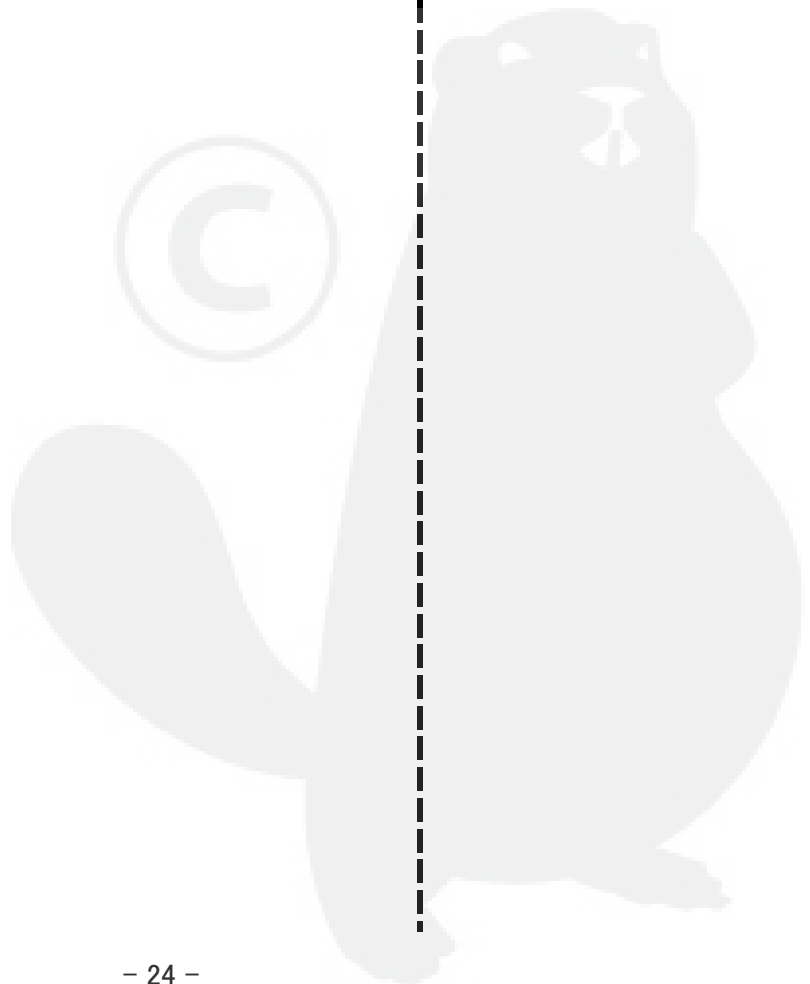
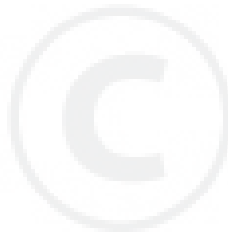
**Index**

<b>Patrs Number</b>	<b>Key No.</b>	<b>Patrs Number</b>	<b>Key No.</b>	<b>Patrs Number</b>	<b>Key No.</b>
177227-42030	4 - 20	610013-27630	9 - 21	900100-10020	8 - 37
177228-06530	4 - 21	610020-07130	9 - 20	900105-05045	6 - 32
177232-47331	4 - 23	610020-07131	9 - 20	900142-05025	10 - 42
177234-42030	4 - 8	610206-27630	9 - 14	900142-05028	10 - 17
177236-44330	4 - 16	610206-27631	9 - 14	900162-05020	1 - 10
178002-42230	9 - 39	610209-27630	9 - 51	900162-05020	9 - 36
178004-45630	6 - 13	610223-27631	5 - 6	900212-05020	6 - 11
178010-42231	9 - 29	610239-04130	10 - 15	900220-03012	3 - 15
178010-42232	9 - 29	610239-04130	9 - 37	900220-04045	6 - 16
178012-42230	9 - 31	610248-29430	9 - 35	900220-05016	7 - 20
178013-42230	9 - 32	610250-45930	5 - 3	900238-05012	9 - 28
178016-47430	6 - 15	610251-45930	5 - 10	900238-05025	9 - 23
178021-05530	6 - 12	610252-45930	5 - 9	900241-04008	5 - 7
178021-05530	9 - 42	610252-45931	5 - 9	900242-04008	5 - 7
178043-42230	9 - 30	610257-27630	9 - 48	900242-04010	1 - 8
178049-06630	9 - 43	610260-27630	9 - 49	900242-04010	6 - 30
178114-05630	9 - 44	610275-42230	9 - 38	900242-04010	6 - 30
178121-10050	9 - 45	610276-27631	9 - 47	900242-04010	8 - 34
178121-45930	9 - 46	610300-22831	10 - 13	900242-04014	2 - 7
178127-42230	9 - 40	610310-40830	10 - 26	900242-04014	3 - 25
178128-05630	9 - 41	610313-22830	10 - 31	900242-04018	2 - 18
178133-22330	9 - 52	610314-27230	10 - 32	900242-04020	3 - 17
300005-48430	8 - 13	610315-22830	10 - 29	900242-04020	5 - 24
300105-27630	8 - 9	610400-27230	10 - 8	900242-04030	4 - 25
300200-27630	8 - 16	610410-22830	10 - 14	900242-05010	10 - 20
300220-20430	8 - 14	610413-22830	10 - 30	900242-05010	1 - 5
300226-27630	8 - 15	610434-50030	10 - 18	900242-05010	6 - 27
300226-27631	8 - 15	610434-50031	10 - 18	900242-05012	10 - 44
300300-27630	8 - 7	610443-22830	10 - 35	900242-05012	10 - 48
300300-50130	8 - 7	699000-44730	10 - 40	900242-05012	8 - 12
300319-01611	8 - 8	699000-50730	10 - 40	900242-05014	10 - 48
300500-07131	9 - 4	699010-29430	10 - 46	900242-05014	9 - 9
300515-07130	9 - 10	699010-54430	10 - 46	900242-05016	5 - 8
300610-22030	8 - 10	699011-27230	10 - 41	900242-05018	10 - 44
300616-22030	8 - 11	699013-27230	10 - 43	900242-05020	1 - 33
300711-27630	8 - 20	699015-52130	10 - 47	900242-05025	1 - 16
300713-27630	8 - 19	699226-05430	8 - 29	900242-05025	6 - 8
300715-27630	8 - 17	890060-48130	2 - 5	900242-05035	9 - 8
300716-27630	8 - 21	890112-50730	1 - 34	900242-05040	8 - 40
300717-27630	8 - 18	890118-44330	4 - 24	900253-04018	9 - 24
301200-29430	9 - 27	890124-07130	9 - 53	900300-20022	10 - 34
351102-29430	9 - 22	890160-46730	9 - 5	900500-00005	10 - 45
351201-07132	9 - 6	895112-00330	10 - 51	900500-00005	9 - 13
351205-07130	9 - 7	895410-08030	10 - 50	900500-00005	9 - 25
351205-07131	9 - 7	897518-01131	10 - 52	900502-00008	4 - 10
351225-07130	9 - 12	898502-01130	10 - 53	900502-00008	5 - 20
351232-07131	9 - 11	898510-39130	10 - 54	900511-00010	10 - 33
610011-29430	9 - 18	900100-06008	5 - 5	900600-00005	6 - 31
610012-07132	9 - 19	900100-08008	10 - 18	900600-00008	5 - 22



**Index**

<b>Patrs Number</b>	<b>Key No.</b>	<b>Patrs Number</b>	<b>Key No.</b>	<b>Patrs Number</b>	<b>Key No.</b>
900600-00010	8 - 35				
900602-00004	6 - 18				
900603-00003	3 - 16				
900603-00005	10 - 49				
900603-00005	7 - 10				
900603-00005	7 - 18				
900605-00004	6 - 17				
900605-00005	7 - 19				
900605-00008	5 - 21				
900605-00010	8 - 36				
900700-00004	4 - 6				
900701-00012	5 - 12				
900702-00022	10 - 10				
900702-00026	10 - 28				
900702-00028	5 - 14				
900702-00032	1 - 27				
900706-00010	10 - 9				
900720-00018	9 - 50				
900800-06000	10 - 27				
900800-36001	1 - 20				
900808-06001	5 - 13				
900810-00626	10 - 23				
900810-36201	1 - 24				
900814-06202	8 - 30				
900855-06900	10 - 12				
900858-06900	10 - 11				
94035-36201	1 - 24				
94064-06202	8 - 30				
V553-000040	1 - 19				
X602-000020	10 - 50				



# YAMABIKO CORPORATION

7-2 SUEHIROCHO 1-CHOME, OHME, TOKYO 198-8760, JAPAN  
PHONE: 81-428-32-6118. FAX: 81-428-32-6145.

**ECHO**®



2530  
No.