



# **PARTS CATALOG**

## **BACKPACK BRUSHCUTTER**

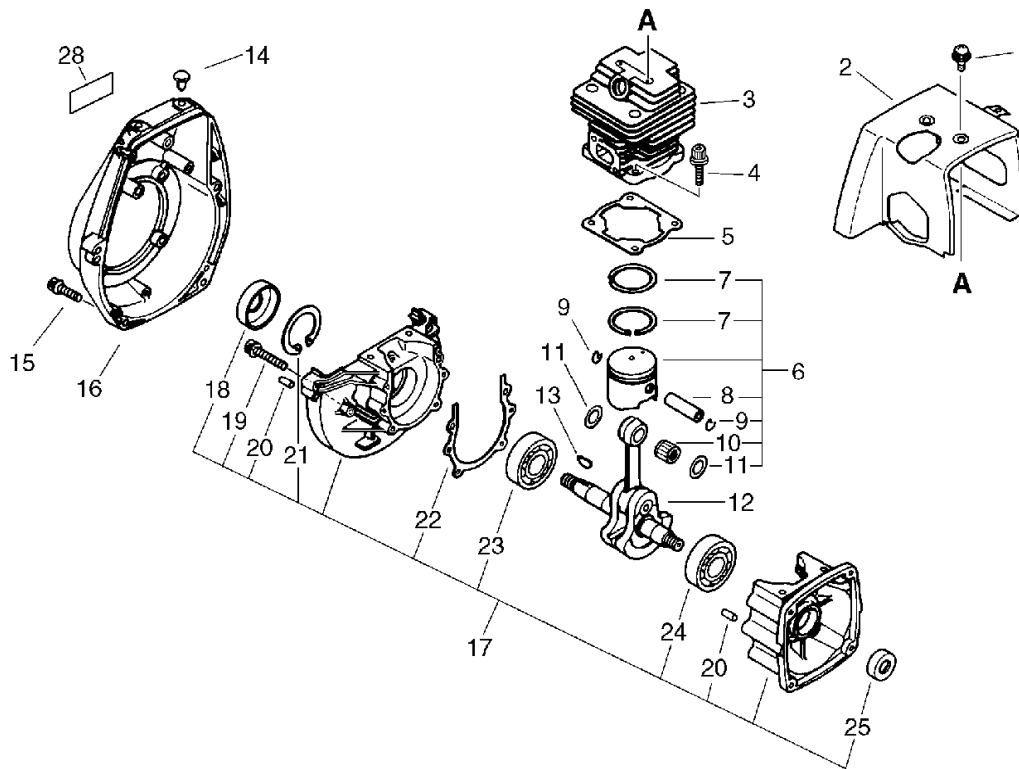
### **RM-460K,460KS**



RM-460K,460KS

# 1. Cylinder, Crankcase, Piston, Fan Cover

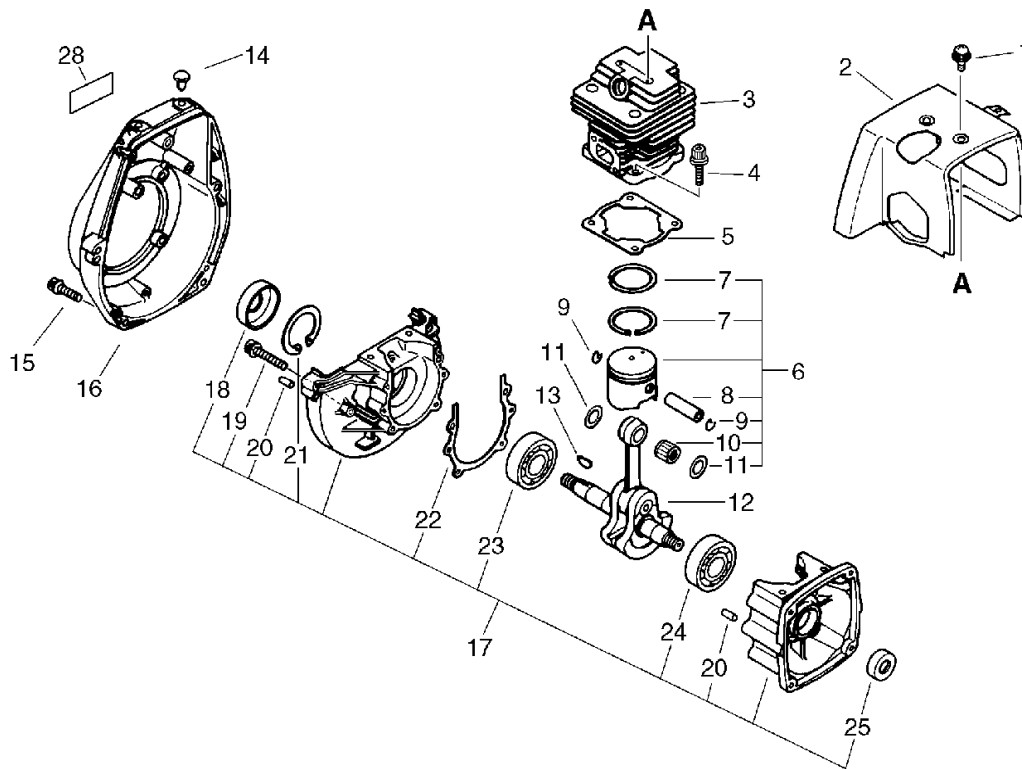
No.1



KEY	LV	PART NUMBER	Q'TY	DESCRIPTION	REMARKS	NOTE1	NOTE2
1		900238-05010	2	SCREW 5*10	5*10		
2		101514-42230	1	COVER, CYLINDER (BS)			
3		101011-43230	1	CYLINDER			
4		900162-05020	4	BOLT, H.S. 5*20	5*20 W,SW		
5		101010-42231	1	GASKET, CYL. BASE			
6		100000-43230	1	PISTON KIT		Sus. by 100000-43231	
6		100000-43231	1	PISTON KIT			
7	+	100011-43230	2	RING, PISTON			
8	+	100013-00410	1	PIN, PISTON	6*10*29.8		
9	+	100015-00120	2	CIRCLIP, PISTON PIN			
10	+	100012-12331	1	BEARING, NEEDLE			
11	+	100014-17330	2	SPACER, PISTON PIN		Sus. by V307-000050	
11	+	V307-000050	2	WASHER,CIRCULAR 10			
12		100100-43130	1	CRANKSHAFT ASSY			
13		100142-12330	1	KEY, WOODRUFF			
14		880517-40030	1	PLUG			
15		900162-05025	4	BOLT, H.S. 5*25	5*25 W,SW		
16		101511-42230	1	COVER, FAN (BS)			
17		100204-42230	1	CRANKCASE KIT			
18	+	100213-02830	1	OILSEAL	ISMx15,35,6		
19	+	900162-05030	4	BOLT, H.S. 5*30	5*30 W,SW		
20	+	100215-02830	4	PIN, DOWEL			
21	+	900702-00035	1	CIRCLIP 35	CR-35		
22	+	100242-42230	1	GASKET, CRANKCASE			

# 1. Cylinder, Crankcase, Piston, Fan Cover

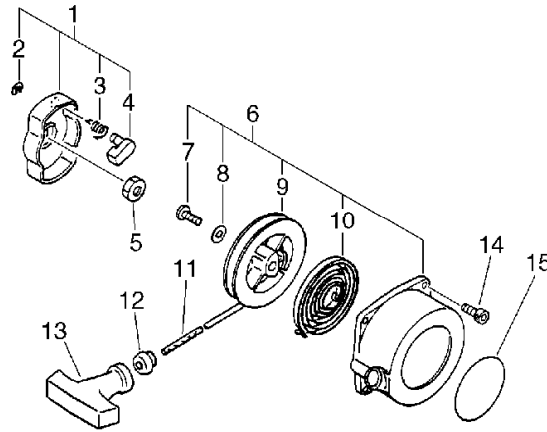
No.1



KEY	LV	PART NUMBER	Q'TY	DESCRIPTION	REMARKS	NOTE1	NOTE2
23	+	900810-36202	1	BEARING, BALL 6202	6202/C3		
24	+	900810-36201	1	BEARING, BALL 6201	6201/C3	Sus. by 94035-36201	
24	+	94035-36201	1	BEARING BALL	6201X3JR2C3		
25	+	100212-27930	1	OILSEAL	ISD 12 25 7		
28		890034-12920	1	LABEL, MODEL			

2. Starter

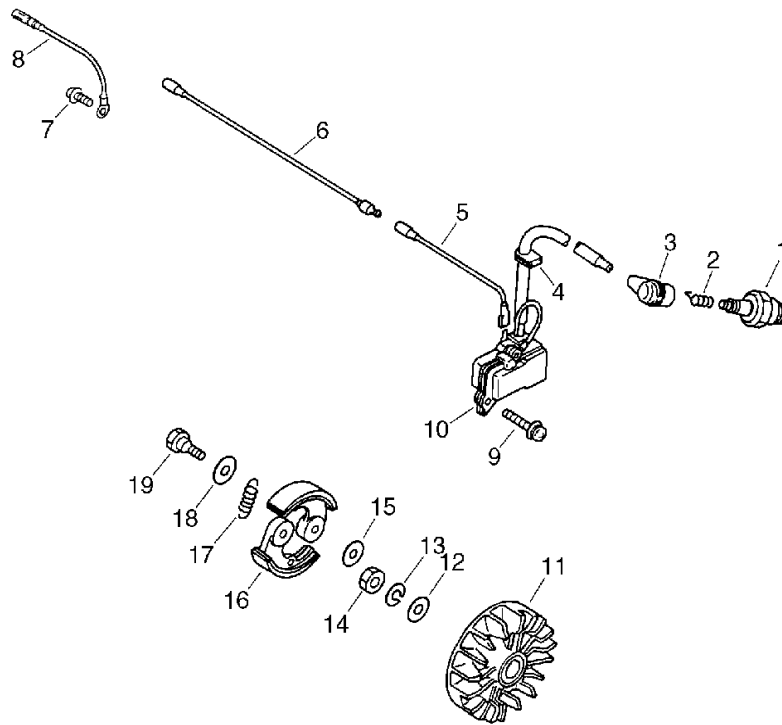
No.2



KEY	LV	PART NUMBER	Q'TY	DESCRIPTION	REMARKS	NOTE1	NOTE2
1		177202-41030	1	PAWL ASSY, STARTER			
2	+	900700-00004	1	E-RING 4	CE-4		
3	+	177234-40630	1	SPRING, RETURN			
4	+	177218-40630	1	PAWL, STARTER	WHITE		
5		900502-00008	1	NUT 8 (3N)	3N8		
6		177200-50430	1	STARTER ASSY		Sus. by 177200-55631	
6		177200-55631	1	STARTER ASSY			
7	+	177236-40630	1	SCREW			
8	+	177214-41030	1	WASHER			
9	+	177215-43130	1	DRUM, STARTER			
10	+	177220-40630	1	SPRING, REWIND			
11	+	177226-01110	1	ROPE, STARTER	4.0*880		
12	+	177227-05530	1	GUIDE, ROPE			
13	+	177228-27030	1	GRIP, STARTER			
14		900162-04020	4	BOLT, H.S. 4*20	4*20 W,SW		
15		890118-49330	1	LABEL, ECHO			

### 3. Magneto, Clutch

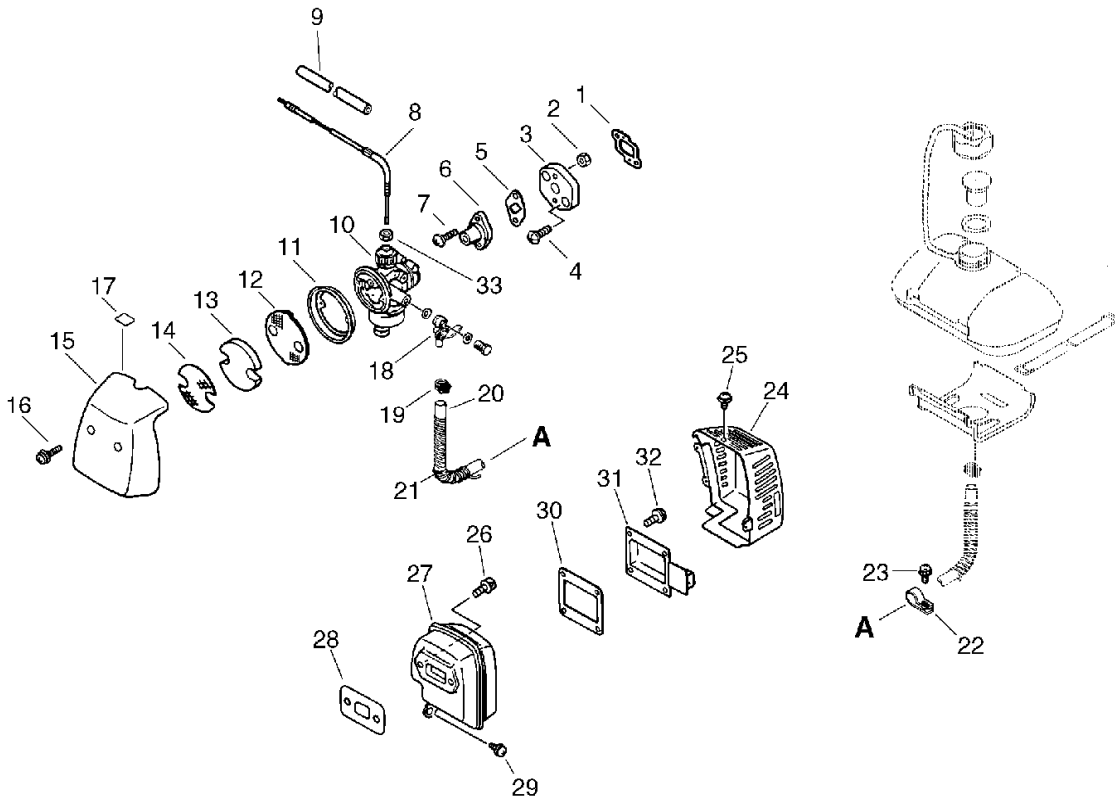
No.3



KEY	LV	PART NUMBER	Q'TY	DESCRIPTION	REMARKS	NOTE1	NOTE2
1		159017-13930	1	PLUG, SPARK (CJ-7Y)	CJ-7Y		
2		159011-03432	1	COIL, SPARK PLUG			
3		159012-03433	1	CAP, SPARK PLUG			
4		156112-28230	1	GROMMET		Sus. by 156112-40630	
4		156112-40630	1	GROMMET			
5		162021-42230	1	LEAD			
6		162014-42230	1	LEAD, GROUND			
7		900238-05010	1	SCREW 5*10	5*10		
8		162010-27230	1	LEAD			
9		900238-05020	2	SCREW 5*20	5*20		
10		156601-12920	1	COIL,IGNITION			
11		156801-42230	1	FLYWHEEL			
12		900600-00010	1	WASHER 10	10		
13		900605-00010	1	WASHER, SPRING 10	10		
14		900503-00010	1	NUT 10 (3N *1.25)	3N10*P1.25		
15		175049-03920	2	WASHER			
16		175009-42231	2	SHOE, CLUTCH			
17		175018-42230	1	SPRING, CLUTCH			
18		175048-03920	2	WASHER			
19		175046-06230	2	BOLT, CLUTCH			

### 4. Air Cleaner, Muffler

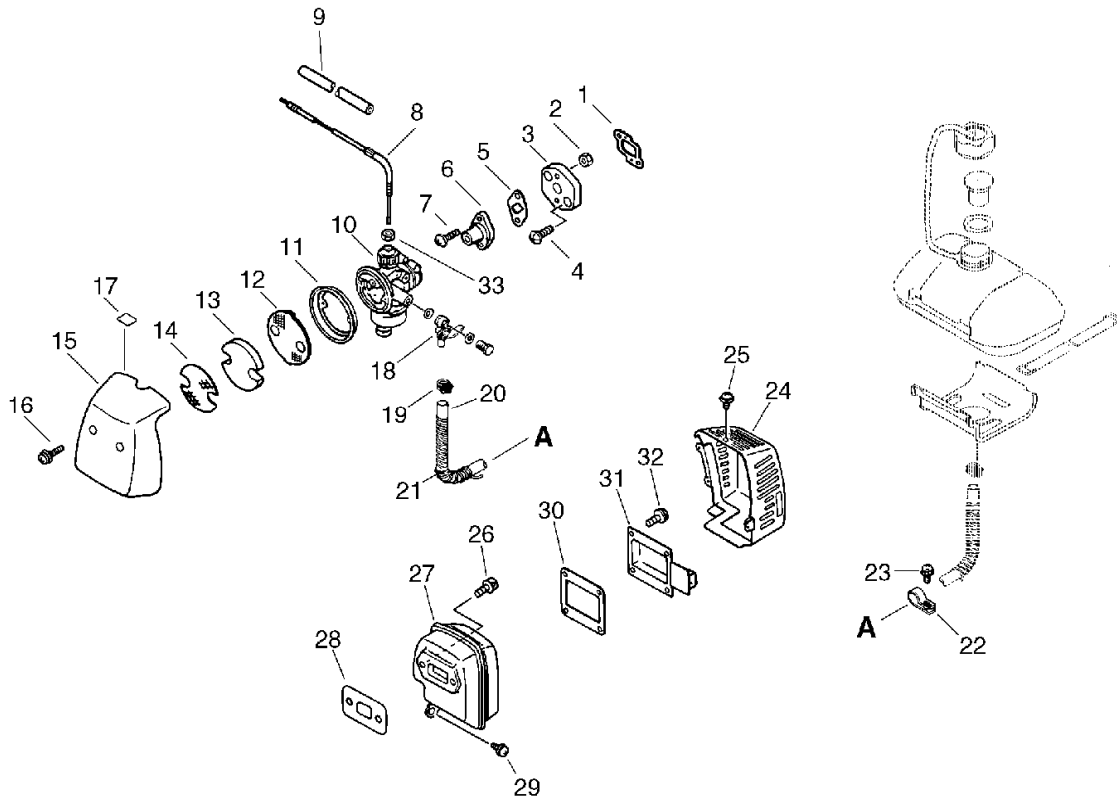
No.4



KEY	LV	PART NUMBER	Q'TY	DESCRIPTION	REMARKS	NOTE1	NOTE2
1		130016-42231	1	GASKET, INTAKE			
2		900500-00005	2	NUT 5	5		
3		130017-42230	1	INSULATOR			
4		900238-05014	2	SCREW 5*14	5*14		
5		130010-22430	1	GASKET, INSULATOR			
6		130510-22431	1	ADAPTER, INTAKE			
7		900238-05018	2	SCREW 5*18	5*18		
8		178004-42230	1	WIRE, THROTTLE	310*345		
9		178127-50330	1	TUBE	10*11*140		
10		124200-12920	1	CARBURETOR	PC11R-1F		
11		130314-27930	1	CASE, AIR CLEANER			
12		130319-27930	1	GRID, AIR CLEANER			
13		130310-27930	1	FILTER, AIR			
14		130311-27930	1	GRID, AIR CLEANER			
15		130307-42230	1	CASE, AIR CLEANER			
16		900238-04022	2	SCREW 4*22	4*22		
17		890121-42230	1	LABEL, CHOKE			
18		132200-00512	1	VALVE ASS'Y, FUEL			
19		132013-00360	1	CLIP, PIPE	11MM		
20		132010-22030	1	PIPE, FUEL	7*11*420L		
21		132015-22030	1	COIL, FUEL PIPE			
22		132112-22031	1	CLIP, FUEL PIPE			
23		900238-05010	1	SCREW 5*10	5*10		
24		145621-12920	1	COVER, MUFFLER			
25		900238-04010	3	SCREW 4*10	4*10		
26		900162-05020	2	BOLT, H.S. 5*20	5*20 W,SW		

### 4. Air Cleaner, Muffler

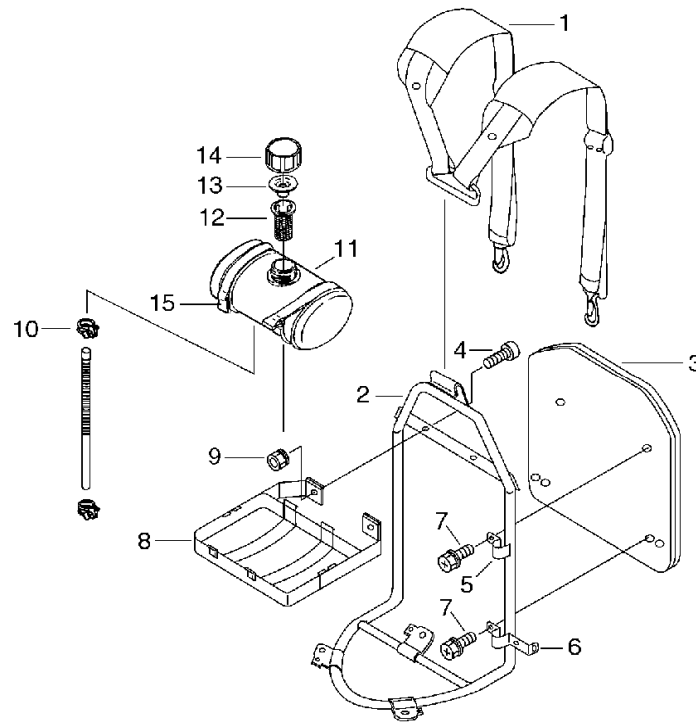
No.4



KEY	LV	PART NUMBER	Q'TY	DESCRIPTION	REMARKS	NOTE1	NOTE2
27		145610-43130	1	MUFFLER (BL)			
28		145510-11121	1	GASKET, MUFFLER			
29		900238-05014	1	SCREW 5*14	5*14		
30		145866-43131	1	GASKET, MUFFLER LID			
31		145867-43131	1	LID, MUFFLER			
32		900238-04010	4	SCREW 4*10	4*10		
33		178021-05530	1	LOCKNUT			

# 5. Fuel Tank, Harness

No.5

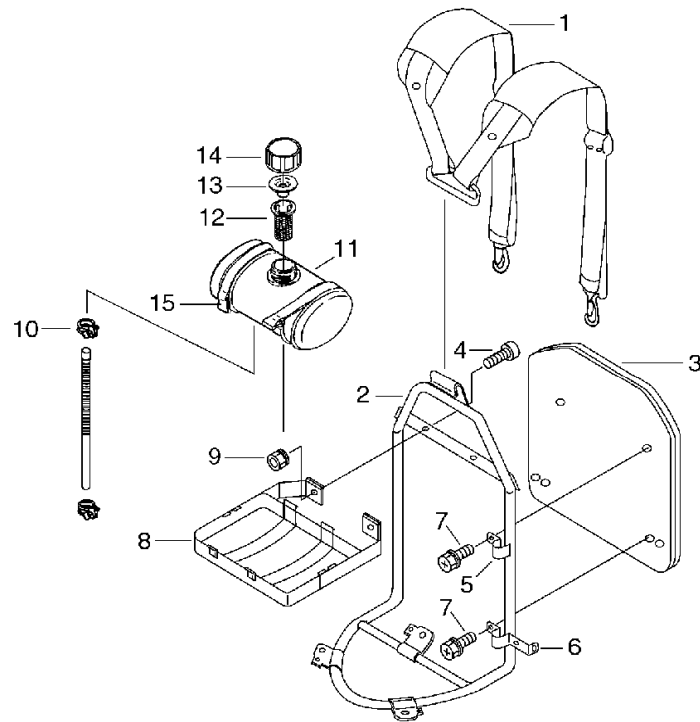


KEY	LV	PART NUMBER	Q'TY	DESCRIPTION	REMARKS	NOTE1	NOTE2
1		300302-64130	1	HARNESS, BACKPACK		Sus. by P022-005980	
1		P022-005980	1	HARNESS, BACKPACK			
2		300010-64130	1	FLAME, BACKPACK		Sus. by P022-005990	
2		P022-005990	1	FLAME, BACKPACK			
3		300105-64130	1	CUSHION, BACKPACK		Sus. by P022-006320	
3		P022-006320	1	CUSHION, BACKPACK			
4		900105-05012	2	BOLT, H.S. 5*12	5*12	Sus. by P022-005950	
4		P022-005950	2	CAP BOLT			
5		300220-64130	2	BRACKET, CUSHION			
6		300226-64130	2	BRACKET, CUSHION			
7		300222-64130	6	SCREW	5*16 SW,W	Sus. by P022-005970	
7		P022-005970	6	BOLT			
8		104922-64130	1	BRACKET, FUEL TANK			
9		104916-64130	2	NUT		Sus. by P022-005940	
9		P022-005940	2	NUT			
10		132013-14010	1	BAND	10.5MM		
11		131010-64130	1	TANK, FUEL			
12		131110-64130	1	STRAINER, FUEL			
13		131003-64130	1	CUP SET, VENT			



# 5. Fuel Tank, Harness

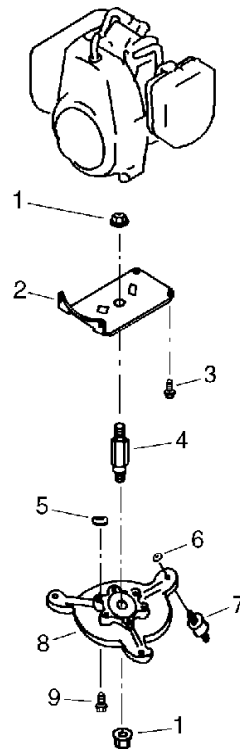
No.5



KEY	LV	PART NUMBER	Q'TY	DESCRIPTION	REMARKS	NOTE1	NOTE2
14		131017-64130	1	CAP, FUEL		Sus. by 131017-64131	
14		131017-64131	1	CAP, FUEL	#6114-001B		
15		131917-64130	1	BAND, FUEL TANK			

## 6. Engine Plate

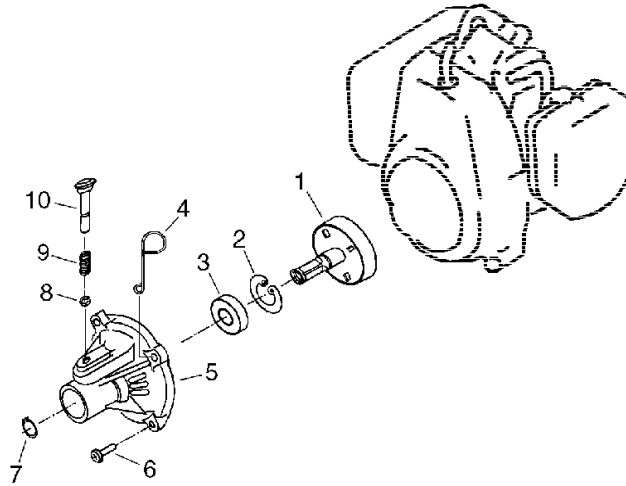
No.6



KEY	LV	PART NUMBER	Q'TY	DESCRIPTION	REMARKS	NOTE1	NOTE2
1		900515-00010	2	NUT, FLANGE	10	Sus. by P022-000920	
1		P022-000920	2	NUT, FRANGE	M10 P1.25		
2		104908-64130	1	PLATE, ENGINE			
3		900182-05012	2	BOLT	5*12 W,SW		
4		104924-64130	1	SHAFT, ROTATION			
5		900500-00006	1	NUT 6	6		
6		900515-00006	6	NUT, FLANGE 6	6		
7		104905-64130	3	CUSHION			
8		104925-64130	1	BRACKET, ENGINE			
9		900182-06030	1	BOLT	6*30 W,SW		

# 7. Clutch Case

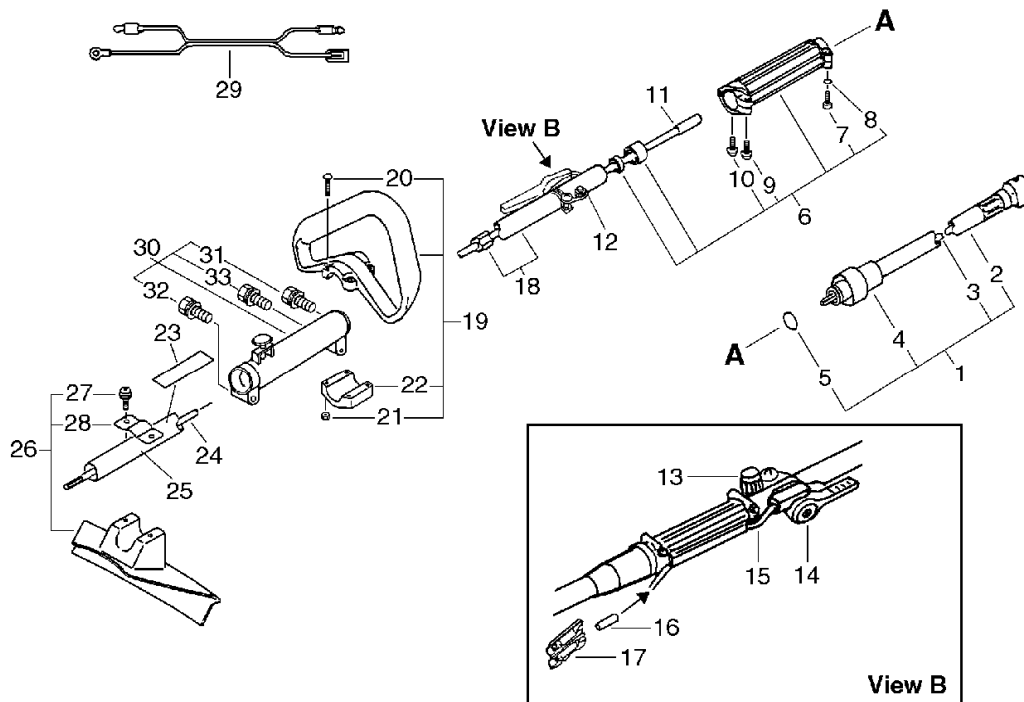
No.7



KEY	LV	PART NUMBER	Q'TY	DESCRIPTION	REMARKS	NOTE1	NOTE2
1		175005-64130	1	DRUM, CLUTCH			
2		900702-00035	1	CIRCLIP 35	CR-35		
3		900814-06202	1	BEARING, BALL 6202	6202ZZ		
4		132013-64130	1	CLIP			
5		610266-64130	1	CASE, CLUTCH DRUM			
6		900242-05016	4	SCREW 5*16	5*16		
7		900701-00015	1	CIRCLIP 15	CS-15		
8		900700-00005	1	E-RING 5	CE-5		
9		610251-64130	1	SPRING			
10		610252-64130	1	LOCK PIN			

8. Handle, Shield

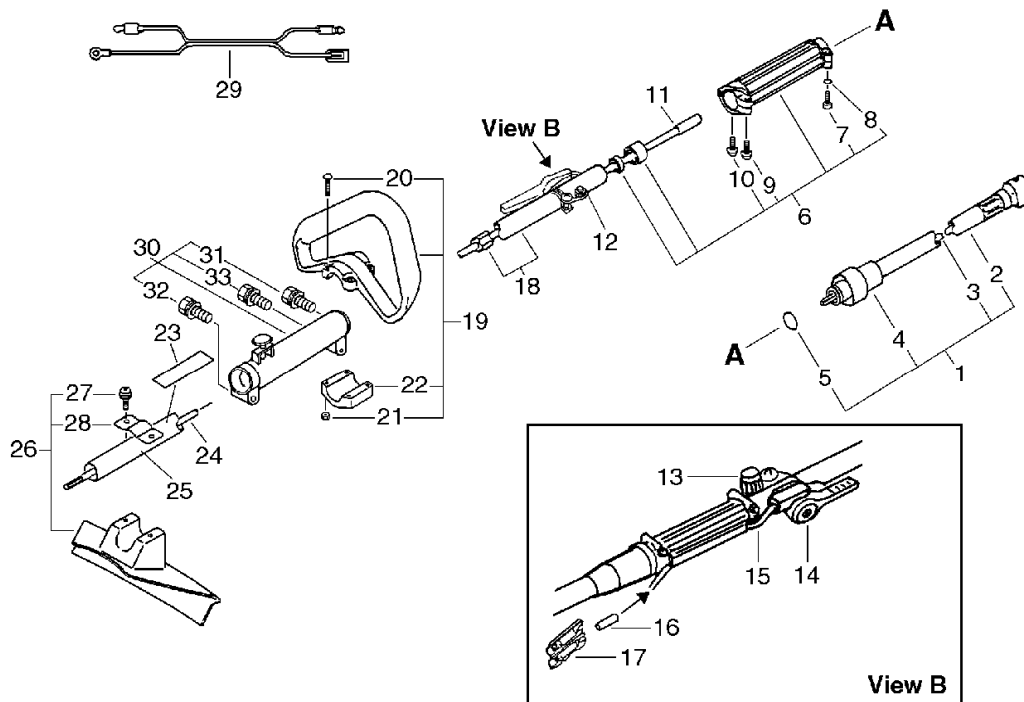
No.8



KEY	LV	PART NUMBER	Q'TY	DESCRIPTION	REMARKS	NOTE1	NOTE2
1		610003-64330	1	SHAFT KIT, FLEXIBLE		RM-460K	
1		610003-64130	1	SHAFT KIT, FLEXIBLE		RM-460KS	
2	+	610209-64330	1	COVER, FLEXIBLE		RM-460K	
2	+	610209-64130	1	COVER, FLEXIBLE		RM-460KS	
3	+	610013-64330	1	SHAFT, FLEXIBLE			
4	+	610276-64130	1	COVER			
5	+	900720-00018	1	O-RING 18	P-18		
6		610601-64230	1	BRACKET ASY, M.PIPE		Sus. by 610601-64231	
6		610601-64231	1	BRACKET ASY, M.PIPE			
7	+	900181-05025	1	BOLT	5*25 SW	Sus. by P022-006380	
7	+	P022-006380	1	BOLT			
8	+	900600-00005	1	WASHER 5	5		
9	+	900181-05020	1	BOLT, H.S. 5*20	5*20 SW	Sus. by P022-006370	
9	+	P022-006370	1	BOLT			
10	+	900242-05010	1	SCREW 5*10	5*10	Sus. by 900142-05010	
10	+	900142-05010	1	BOLT 5*10 (W/W,SW)	5*10		
11		610011-64330	1	SHAFT, DRIVE		RM-460K	
11		610011-64230	1	SHAFT, DRIVE		RM-460KS	
12		163810-64130	1	BRACKET, SWITCH		Sus. by 163810-64131	
12		163810-64131	1	BRACKET, SWITCH			
13		163400-64130	1	SWITCH, IGNITION			

# 8. Handle, Shield

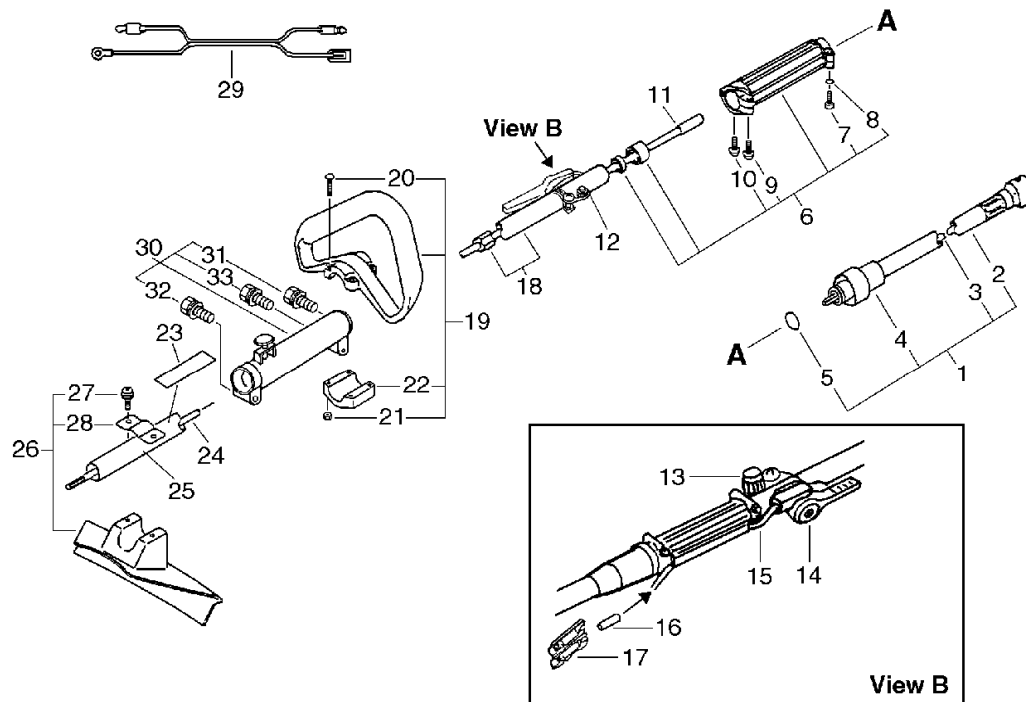
No.8



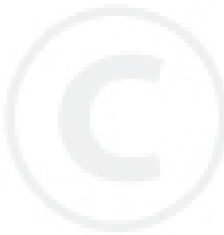
KEY	LV	PART NUMBER	Q'TY	DESCRIPTION	REMARKS	NOTE1	NOTE2
14		178000-64130	1	CONTROL, THROTTLE			
15		178001-64130	1	CABLE, THROTTLE		Sus. by 178001-64131	
15		178001-64131	1	CABLE, THROTTLE			
16		178016-64130	1	TUBE	670L	Sus. by P022-006330	
16		P022-006330	1	TUBE			
17		178081-55931	1	CONNECTOR,CABLE			
18		610206-64330	1	PIPE, MAIN		RM-460K	
18		610206-64230	1	PIPE, MAIN		RM-460KS	
19		351400-64130	1	HANDLE ASY, LOOP			
20	+	900238-05035	4	SCREW 5*35	5*35		
21	+	900500-00005	4	NUT 5	5		
22	+	351225-64130	1	BRACKET, HANDLE			
23		890617-46830	1	LABEL, CAUTION		Sus. by 890617-43130	
23		890617-43130	1	LABEL,CAUTION			
24		610011-64130	1	SHAFT, DRIVE		RM-460KS	
25		610206-64130	1	PIPE, MAIN		RM-460KS	
26		699000-64130	1	SHIELD ASY			
27	+	900182-06016	2	BOLT	6*16 W,SW		
28	+	699011-64130	1	BRACKET, SHIELD			
29		162010-64130	1	LEAD			
30		610601-64130	1	HOLDER, MAIN PIPE		RM-460KS	
31	+	P022-006340	1	BOLT		RM-460KS	
32	+	P022-005880	1	BOLT		RM-460KS	

8. Handle, Shield

No.8

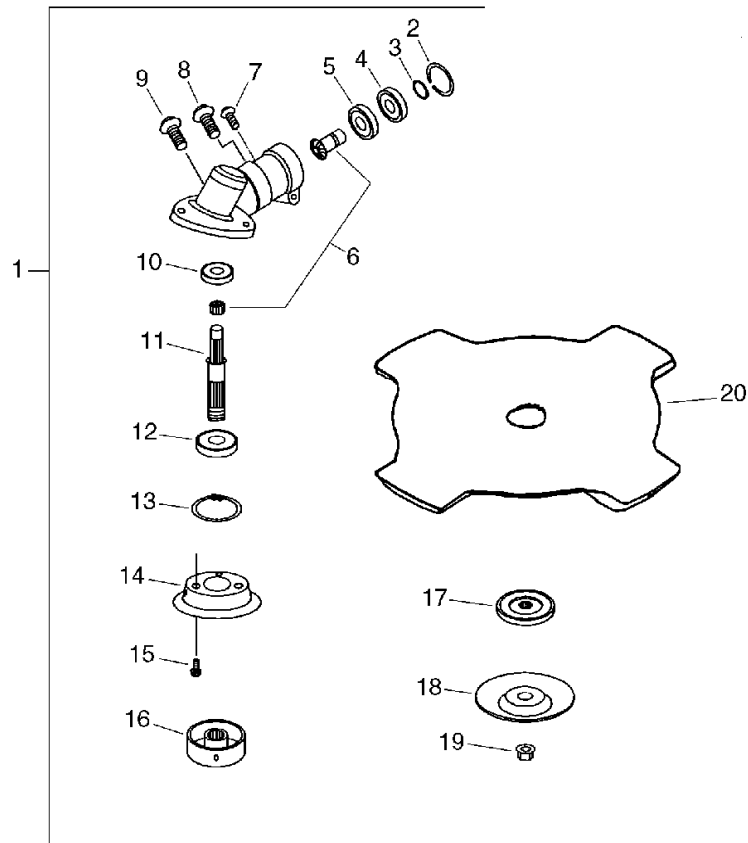


KEY	LV	PART NUMBER	Q'TY	DESCRIPTION	REMARKS	NOTE1	NOTE2
33	+	900182-06030	1	BOLT	6*30 W,SW	RM-460KS	



9. Gear Case, Blade

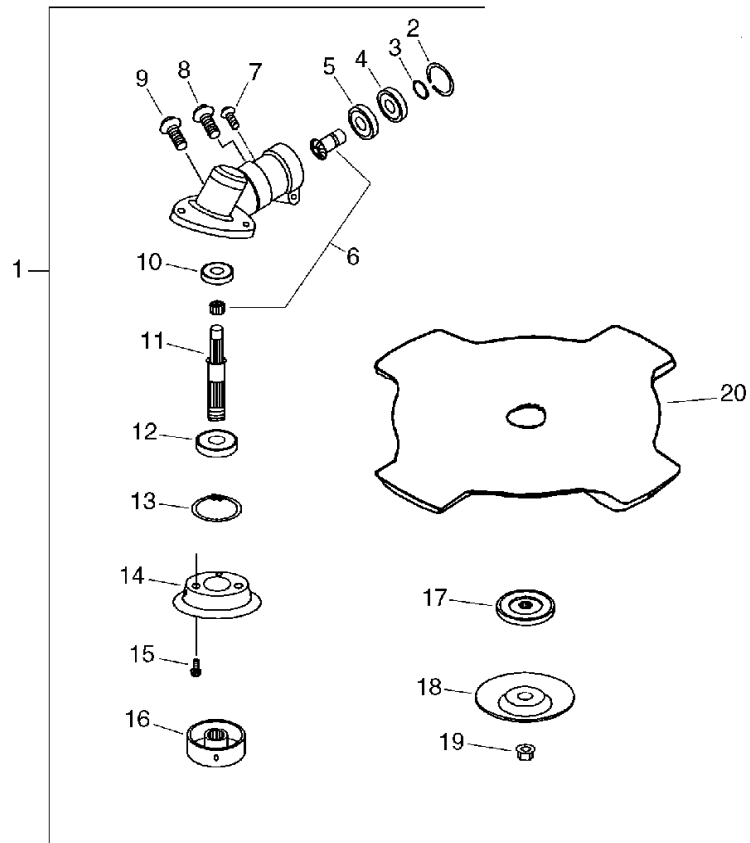
No.9



KEY	LV	PART NUMBER	Q'TY	DESCRIPTION	REMARKS	NOTE1	NOTE2
1		610400-64130	1	CASE ASY, GEAR		Sus. by 610400-64131	
1		610400-64131	1	CASE ASY, GEAR			
2	+	900702-00026	1	CIRCLIP 26	CR-26		
3	+	900701-00010	1	CIRCLIP 10	CS-10		
4	+	900803-06000	1	BEARING,BALL BB6000Z	6000Z		
5	+	900800-06000	1	BEARING, BALL 6000	6000		
6	+	610300-64130	1	GEAR SET			
7	+	900242-05012	1	SCREW 5*12	5*12	Sus. by P022-006300	
7	+	P022-006300	1	BOLT			
8	+	610474-64130	1	SCREW			
9	+	610434-64130	1	BOLT		Sus. by P022-006310	
9	+	P022-006310	1	BOLT			
10	+	900810-00629	1	BEARING, BALL 629	629		
11	+	610310-64130	1	SHAFT, P.T.O.			
12	+	900812-06201	1	BEARING, BALL 6201	6201DDU(LLU)		
13	+	900702-00032	1	CIRCLIP 32	CR-32		
14	+	610443-64130	1	PLATE, GUARD		Sus. by P022-006260	
14	+	P022-006260	1	PLATE, GUARD			
15	+	900241-05008	3	SCREW 5*8	5*8		
16	+	610313-64130	1	PLATE, CUTTER (U)		Sus. by P022-006290	
16	+	P022-006290	1	PLATE, CUTTER (U)			

9. Gear Case, Blade

No.9

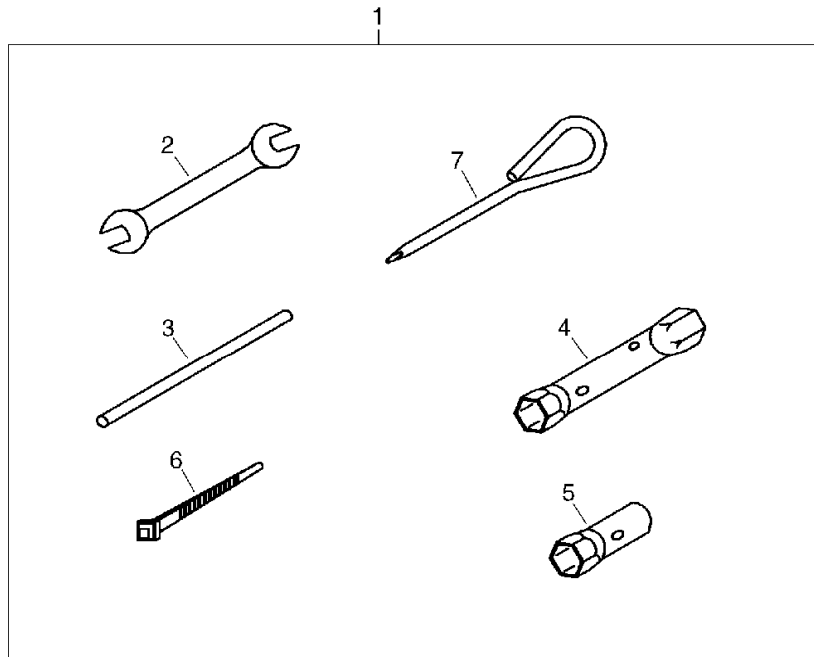


KEY	LV	PART NUMBER	Q'TY	DESCRIPTION	REMARKS	NOTE1	NOTE2
17	+	610314-64130	1	PLATE,ADAPTER (L)		Sus. by P022-006280	
17	+	P022-006280	1	PLATE,ADAPTER (L)			
18	+	699229-64130	1	PLATE, COVER		Sus. by P022-006270	
18	+	P022-006270	1	PLATE, COVER			
19	+	610320-64130	1	NUT			
20		696001-64130	1	BLADE, 4-CUTTER		Sus. by 696001-64132	
20		696001-64132	1	SAW,BUSH CUTTER	4X255X25.4 T1.4		



10. Tools

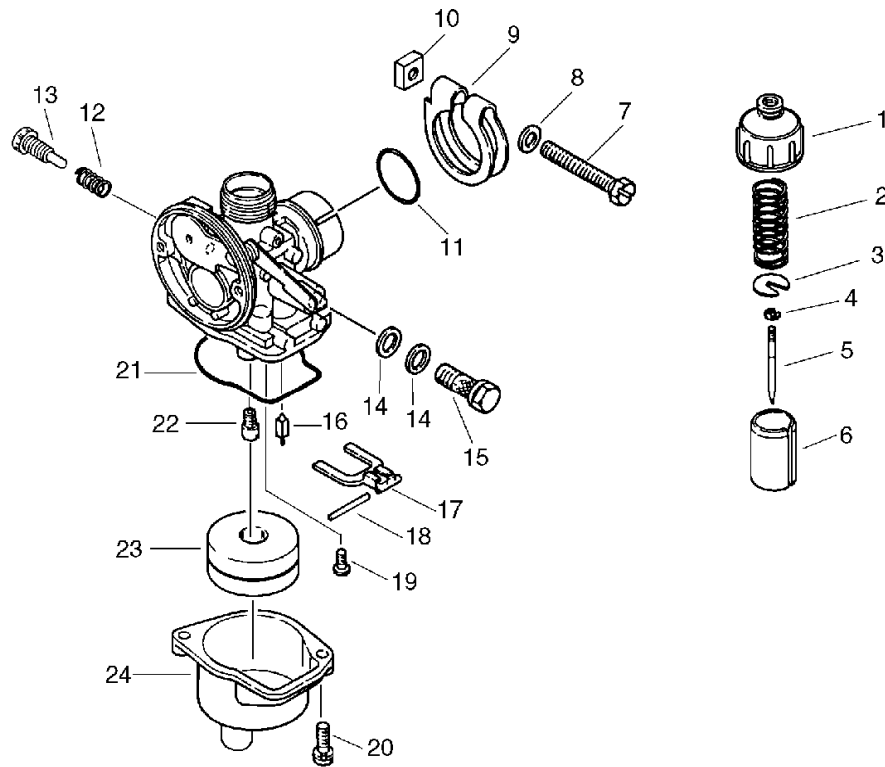
No.10



KEY	LV	PART NUMBER	Q'TY	DESCRIPTION	REMARKS	NOTE1	NOTE2
1		896000-64430	1	TOOL,ASM		RM-460K	
1		896000-64130	1	TOOL SET		RM-460KS	
2	+	895112-00330	1	SPANNER 8*10			
3	+	897518-64130	1	TOOL, LOCKING			
4	+	895419-05330	1	WRENCH, BOX 17*19			
5	+	895415-64130	1	WRENCH, SPCKET		RM-460KS	
6	+	178121-10050	2	BAND	CV-150		
7	+	895710-64130	1	DRIVER, SCREW			

# 11. Carburetor

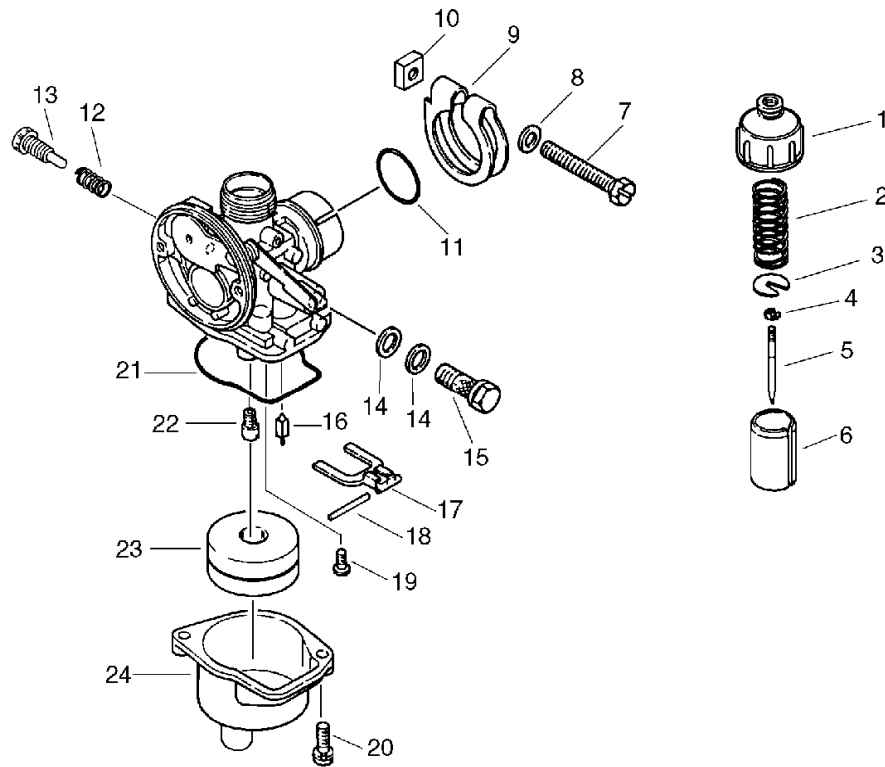
No.11



KEY	LV	PART NUMBER	Q'TY	DESCRIPTION	REMARKS	NOTE1	NOTE2
		124200-12920	1	CARBURETOR	PC11R-1F		
1	+	124113-05530	1	COVER, TOP			
2	+	124114-05530	1	SPRING, THROTTLE			
3	+	124115-05530	1	SEAT, SPRING			
4	+	124116-05530	1	E-RING			
5	+	124117-64130	1	NEEDLE, JET			
6	+	124118-47230	1	VALVE, THROTTLE			
7	+	124147-46630	1	BOLT			
8	+	900600-00005	1	WASHER 5	5		
9	+	124146-46630	1	CLIP, OUTLET			
10	+	124151-46630	1	NUT			
11	+	124149-46630	1	GASKET, FRANGE			
12	+	124160-11120	1	SPRING, IDLE ADJUST			
13	+	124159-46630	1	SCREW, IDLE ADJUST			
14	+	124130-05930	2	GASKET		Sus. by 124130-11120	
14	+	124130-11120	2	GASKET			
15	+	124131-05930	1	BOLT, BANJO			
16	+	124102-11120	1	VALVE ASY, NEEDLE			
17	+	124121-46630	1	ARM, FLOAT			
18	+	124132-46630	1	PIN, LEVER			
19	+	900220-03006	1	SCREW 3*6	3*6		
20	+	900220-04016	2	SCREW 4*16	4*16		
21	+	124123-46630	1	GASKET, CHAMBER		Sus. by 124123-46631	
21	+	124123-46631	1	GASKET, CHAMBER			

# 11. Carburetor

No.11



KEY	LV	PART NUMBER	Q'TY	DESCRIPTION	REMARKS	NOTE1	NOTE2
22	+	124122-64130	1	JET, MAIN			
23	+	124133-11120	1	FLOAT			
24	+	124104-46630	1	CHAMBER ASY, FLOAT			

**Index**

<b>Patrs Number</b>	<b>Key No.</b>	<b>Patrs Number</b>	<b>Key No.</b>	<b>Patrs Number</b>	<b>Key No.</b>
100000-43230	1 - 6	130010-22430	4 - 5	177202-41030	2 - 1
100000-43231	1 - 6	130016-42231	4 - 1	177214-41030	2 - 8
100011-43230	1 - 7	130017-42230	4 - 3	177215-43130	2 - 9
100012-12331	1 - 10	130307-42230	4 - 15	177218-40630	2 - 4
100013-00410	1 - 8	130310-27930	4 - 13	177220-40630	2 - 10
100014-17330	1 - 11	130311-27930	4 - 14	177226-01110	2 - 11
100015-00120	1 - 9	130314-27930	4 - 11	177227-05530	2 - 12
100100-43130	1 - 12	130319-27930	4 - 12	177228-27030	2 - 13
100142-12330	1 - 13	130510-22431	4 - 6	177234-40630	2 - 3
100204-42230	1 - 17	131003-64130	5 - 13	177236-40630	2 - 7
100212-27930	1 - 25	131010-64130	5 - 11	178000-64130	8 - 14
100213-02830	1 - 18	131017-64130	5 - 14	178001-64130	8 - 15
100215-02830	1 - 20	131017-64131	5 - 14	178001-64131	8 - 15
100242-42230	1 - 22	131110-64130	5 - 12	178004-42230	4 - 8
101010-42231	1 - 5	131917-64130	5 - 15	178016-64130	8 - 16
101011-43230	1 - 3	132010-22030	4 - 20	178021-05530	4 - 33
101511-42230	1 - 16	132013-00360	4 - 19	178081-55931	8 - 17
101514-42230	1 - 2	132013-14010	5 - 10	178121-10050	10 - 6
104905-64130	6 - 7	132013-64130	7 - 4	178127-50330	4 - 9
104908-64130	6 - 2	132015-22030	4 - 21	300010-64130	5 - 2
104916-64130	5 - 9	132112-22031	4 - 22	300105-64130	5 - 3
104922-64130	5 - 8	132200-00512	4 - 18	300220-64130	5 - 5
104924-64130	6 - 4	145510-11121	4 - 28	300222-64130	5 - 7
104925-64130	6 - 8	145610-43130	4 - 27	300226-64130	5 - 6
124102-11120	11 - 16	145621-12920	4 - 24	300302-64130	5 - 1
124104-46630	11 - 24	145866-43131	4 - 30	351225-64130	8 - 22
124113-05530	11 - 1	145867-43131	4 - 31	351400-64130	8 - 19
124114-05530	11 - 2	156112-28230	3 - 4	610003-64130	8 - 1
124115-05530	11 - 3	156112-40630	3 - 4	610003-64330	8 - 1
124116-05530	11 - 4	156601-12920	3 - 10	610011-64130	8 - 24
124117-64130	11 - 5	156801-42230	3 - 11	610011-64230	8 - 11
124118-47230	11 - 6	159011-03432	3 - 2	610011-64330	8 - 11
124121-46630	11 - 17	159012-03433	3 - 3	610013-64330	8 - 3
124122-64130	11 - 22	159017-13930	3 - 1	610206-64130	8 - 25
124123-46630	11 - 21	162010-27230	3 - 8	610206-64230	8 - 18
124123-46631	11 - 21	162010-64130	8 - 29	610206-64330	8 - 18
124130-05930	11 - 14	162014-42230	3 - 6	610209-64130	8 - 2
124130-11120	11 - 14	162021-42230	3 - 5	610209-64330	8 - 2
124131-05930	11 - 15	163400-64130	8 - 13	610251-64130	7 - 9
124132-46630	11 - 18	163810-64130	8 - 12	610252-64130	7 - 10
124133-11120	11 - 23	163810-64131	8 - 12	610266-64130	7 - 5
124146-46630	11 - 9	175005-64130	7 - 1	610276-64130	8 - 4
124147-46630	11 - 7	175009-42231	3 - 16	610300-64130	9 - 6
124149-46630	11 - 11	175018-42230	3 - 17	610310-64130	9 - 11
124151-46630	11 - 10	175046-06230	3 - 19	610313-64130	9 - 16
124159-46630	11 - 13	175048-03920	3 - 18	610314-64130	9 - 17
124160-11120	11 - 12	175049-03920	3 - 15	610320-64130	9 - 19
124200-12920	11 -	177200-50430	2 - 6	610400-64130	9 - 1
124200-12920	4 - 10	177200-55631	2 - 6	610400-64131	9 - 1

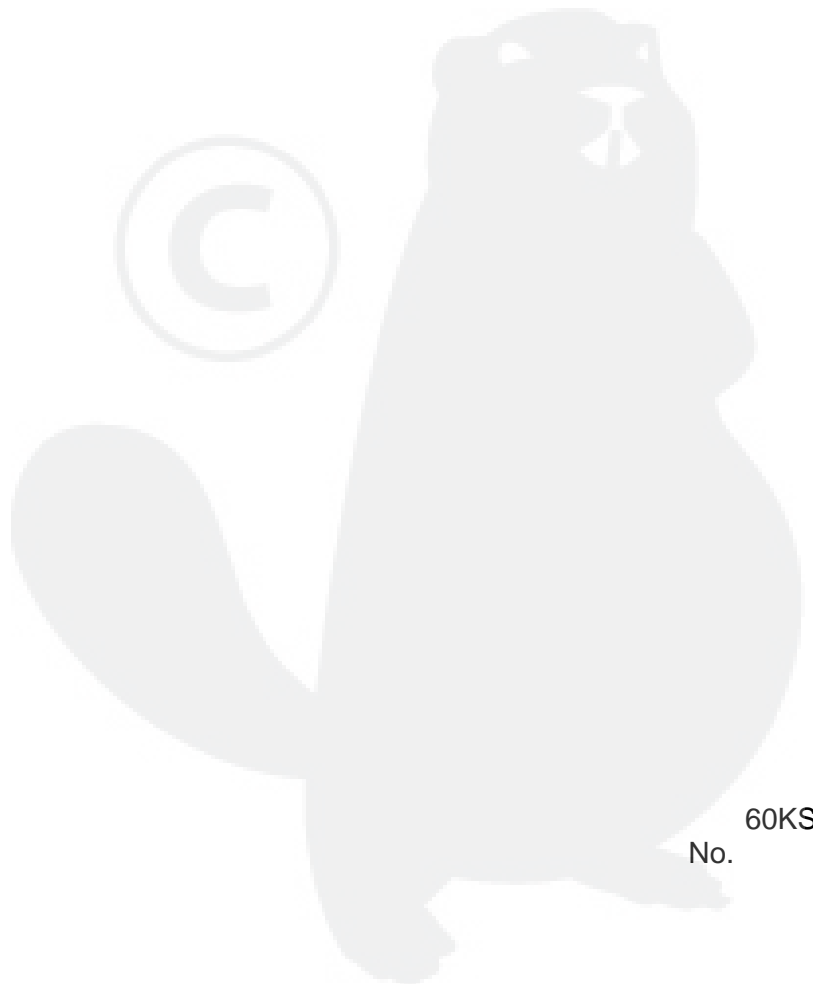
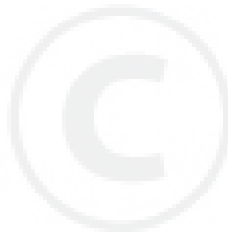
**Index**

<b>Patrs Number</b>	<b>Key No.</b>	<b>Patrs Number</b>	<b>Key No.</b>	<b>Patrs Number</b>	<b>Key No.</b>
610434-64130	9 - 9	900238-05035	8 - 20	P022-006370	8 - 9
610443-64130	9 - 14	900241-05008	9 - 15	P022-006380	8 - 7
610474-64130	9 - 8	900242-05010	8 - 10	V307-000050	1 - 11
610601-64130	8 - 30	900242-05012	9 - 7		
610601-64230	8 - 6	900242-05016	7 - 6		
610601-64231	8 - 6	900500-00005	4 - 2		
696001-64130	9 - 20	900500-00005	8 - 21		
696001-64132	9 - 20	900500-00006	6 - 5		
699000-64130	8 - 26	900502-00008	2 - 5		
699011-64130	8 - 28	900503-00010	3 - 14		
699229-64130	9 - 18	900515-00006	6 - 6		
880517-40030	1 - 14	900515-00010	6 - 1		
890034-12920	1 - 28	900600-00005	11 - 8		
890118-49330	2 - 15	900600-00005	8 - 8		
890121-42230	4 - 17	900600-00010	3 - 12		
890617-43130	8 - 23	900605-00010	3 - 13		
890617-46830	8 - 23	900700-00004	2 - 2		
895112-00330	10 - 2	900700-00005	7 - 8		
895415-64130	10 - 5	900701-00010	9 - 3		
895419-05330	10 - 4	900701-00015	7 - 7		
895710-64130	10 - 7	900702-00026	9 - 2		
896000-64130	10 - 1	900702-00032	9 - 13		
896000-64430	10 - 1	900702-00035	1 - 21		
897518-64130	10 - 3	900702-00035	7 - 2		
900105-05012	5 - 4	900720-00018	8 - 5		
900142-05010	8 - 10	900800-06000	9 - 5		
900162-04020	2 - 14	900803-06000	9 - 4		
900162-05020	1 - 4	900810-00629	9 - 10		
900162-05020	4 - 26	900810-36201	1 - 24		
900162-05025	1 - 15	900810-36202	1 - 23		
900162-05030	1 - 19	900812-06201	9 - 12		
900181-05020	8 - 9	900814-06202	7 - 3		
900181-05025	8 - 7	94035-36201	1 - 24		
900182-05012	6 - 3	P022-000920	6 - 1		
900182-06016	8 - 27	P022-005880	8 - 32		
900182-06030	6 - 9	P022-005940	5 - 9		
900182-06030	8 - 33	P022-005950	5 - 4		
900220-03006	11 - 19	P022-005970	5 - 7		
900220-04016	11 - 20	P022-005980	5 - 1		
900238-04010	4 - 25	P022-005990	5 - 2		
900238-04010	4 - 32	P022-006260	9 - 14		
900238-04022	4 - 16	P022-006270	9 - 18		
900238-05010	1 - 1	P022-006280	9 - 17		
900238-05010	3 - 7	P022-006290	9 - 16		
900238-05010	4 - 23	P022-006300	9 - 7		
900238-05014	4 - 4	P022-006310	9 - 9		
900238-05014	4 - 29	P022-006320	5 - 3		
900238-05018	4 - 7	P022-006330	8 - 16		
900238-05020	3 - 9	P022-006340	8 - 31		

# YAMABIKO CORPORATION

7-2 SUEHIROCHO 1-CHOME, OHME, TOKYO 198-8760, JAPAN  
PHONE: 81-428-32-6118. FAX: 81-428-32-6145.

**ECHO**®



60KS  
No.