



# **PARTS CATALOG**

## **BACKPACK BRUSHCUTTER**

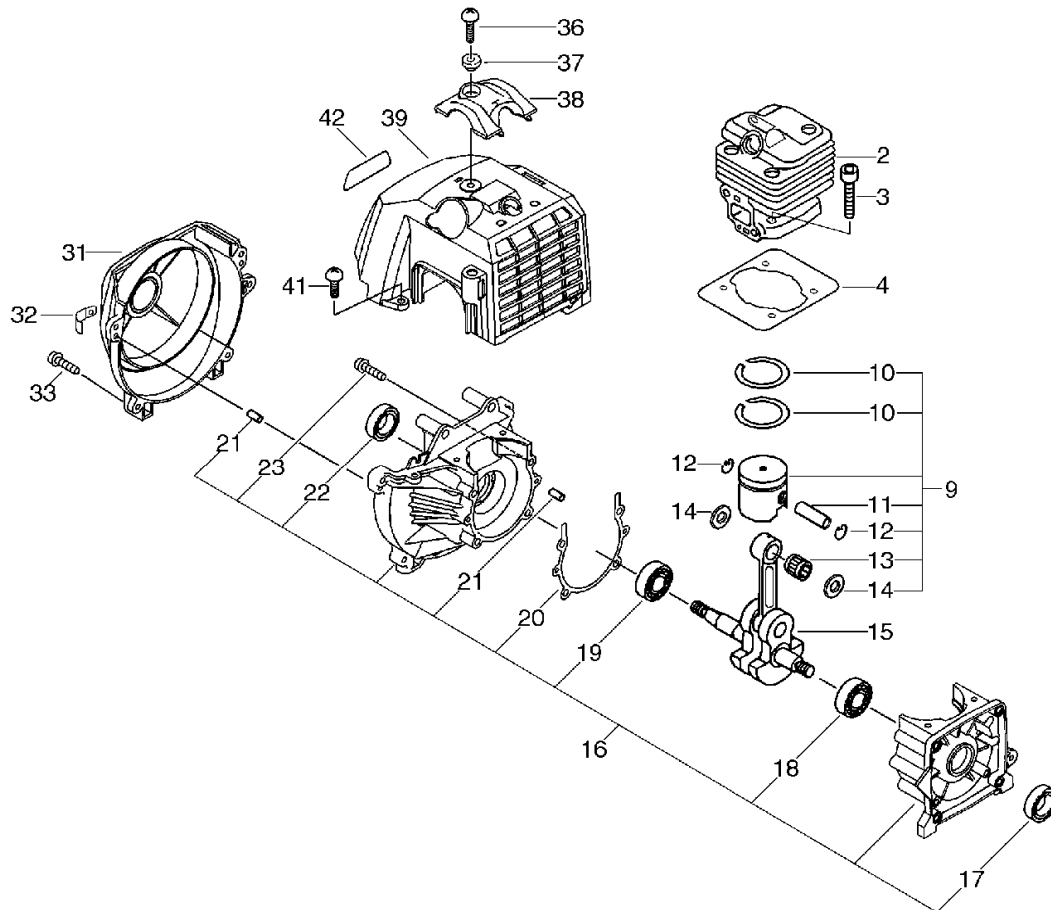
### **RM-4300K,4300KS**



RM-4300K,4300KS

# 1. Cylinder, Crankcase, Piston, Fan Cover

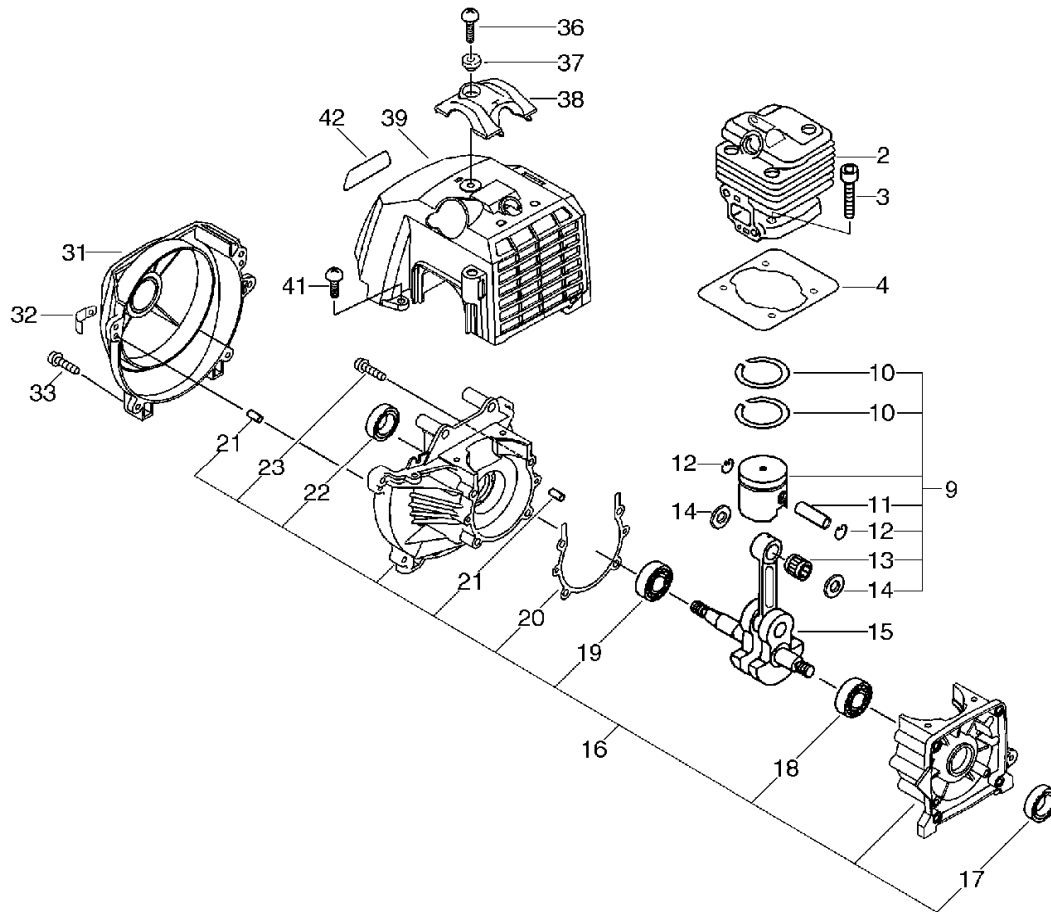
No.1



KEY	LV	PART NUMBER	Q'TY	DESCRIPTION	REMARKS	NOTE1	NOTE2
2		A130-000290	1	CYLINDER		Sus. by A130-000291	
2		A130-000291	1	CYLINDER			
3		900162-05020	4	BOLT, H.S. 5*20	5*20 W,SW		
4		V100-000040	1	GASKET,CYL			
9		P021-002460	1	PISTON KIT		Sr/Nr 20005619 and before	
9		P021-007170	1	PISTON KIT		Sus. by P021-007171	
9		P021-007171	1	PISTON KIT		Sr/Nr 20005620 and after	
10	+	100011-10530	2	RING, PISTON			
11	+	V608-000000	1	PIN,ENG 10			
12	+	100015-00120	2	CIRCLIP, PISTON PIN			
13	+	100012-12331	1	BEARING, NEEDLE		Sr/Nr 20005619 and before	
13	+	V555-000010	1	BEARING,NEEDLE 10		Sr/Nr 20005620 and after	
14	+	V307-000060	2	WASHER,CIRCULAR 10			
15		A011-000120	1	CRANKSHAFT,ASM		Sr/Nr 20005619 and before	
15		A011-000330	1	CRANKSHAFT,ASM		Sr/Nr 20005620 and after	
16		P021-002471	1	CRANKCASE SET			
17	+	100213-05530	1	OILSEAL	ISCD 12 22 7		
18	+	94035-36201	1	BEARING BALL	6201X3JR2C3		

# 1. Cylinder, Crankcase, Piston, Fan Cover

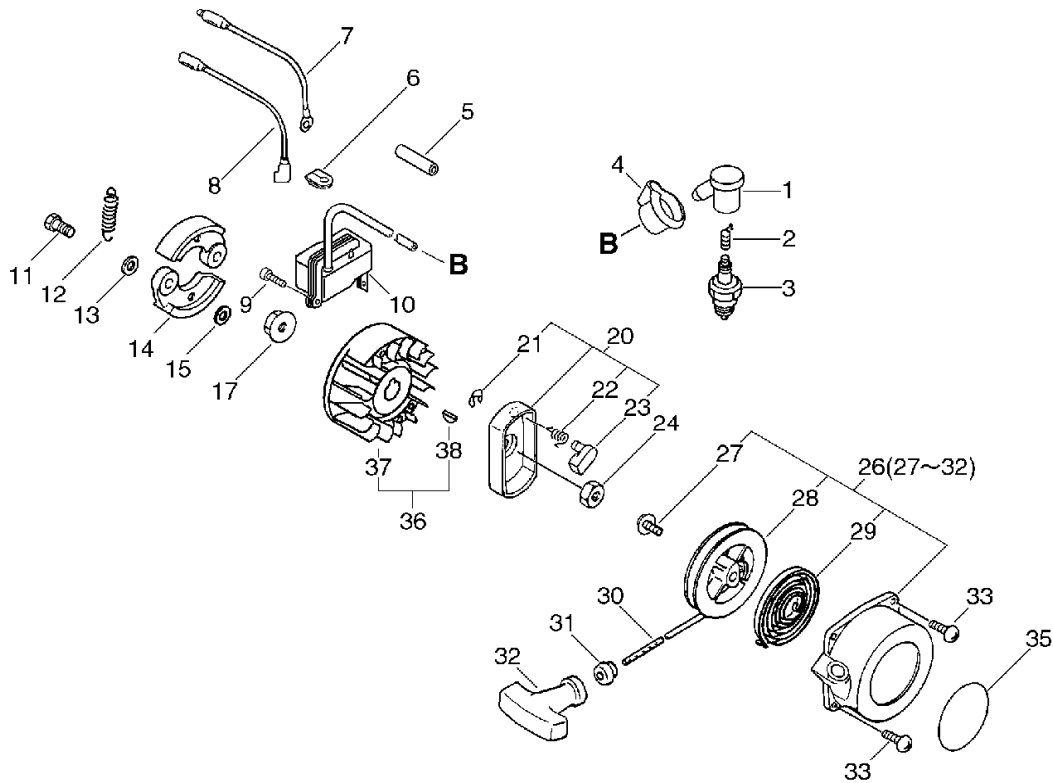
No.1



KEY	LV	PART NUMBER	Q'TY	DESCRIPTION	REMARKS	NOTE1	NOTE2
19	+	900810-36202	1	BEARING, BALL 6202	6202/C3		
20	+	V102-000001	1	GASKET,CRANKCASE			
21	+	100215-03930	4	PIN, DOWEL			
22	+	100213-00310	1	OILSEAL	ISCD 15 25 7		
23	+	900162-05035	4	BOLT, H.S. 5*35	5*35 W,SW		
31		A172-000350	1	COVER,FAN			
32		159116-21231	1	CLAMP			
33		900238-05020	4	SCREW 5*20	5*20		
36		900239-05022	1	SCREW 5*22	5*22		
37		V353-000020	1	COLLAR,5	12*5.5*4.5L		
38		A162-000020	1	GUARD, TOP			
39		A160-000241	1	COVER,CYLINDER			
41		900238-05014	1	SCREW 5*14	5*14		
42		X503-004130	1	LABEL,MODEL	RM-4300K		

## 2. Starter, Magneto, Clutch

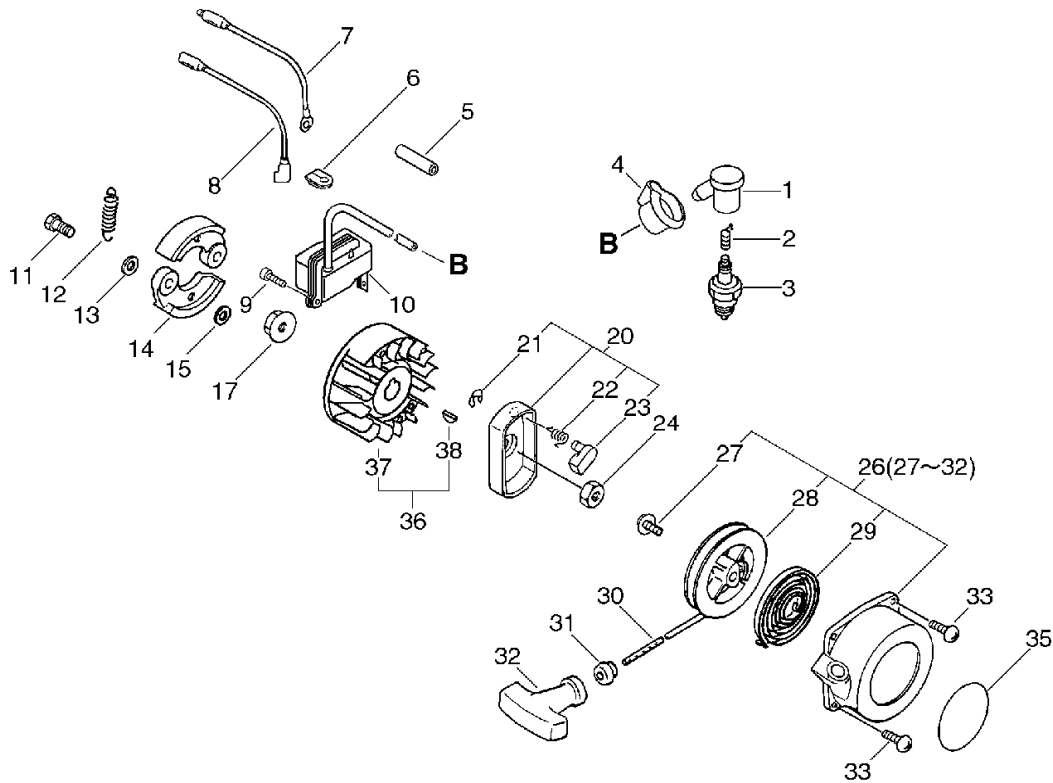
No.2



KEY	LV	PART NUMBER	Q'TY	DESCRIPTION	REMARKS	NOTE1	NOTE2
1		A427-000000	1	CAP, SPARK PLUG			
2		A426-000000	1	TERMINAL, SPARK PLUG			
3		159017-16431	1	PLUG, SPARK (CJ-6Y)	CJ-6Y		
4		V141-000020	1	GROMMET, PLUG			
5		V475-001610	1	TUBE	7*8.6*55 HST-10		
6		156114-04920	1	GROMMET			
7		162010-29330	1	LEAD, GROUND			
8		V485-000150	1	LEAD			
9		900162-05020	2	BOLT, H.S. 5*20	5*20 W,SW		
10		A411-000050	1	COIL, IGNITION			
11		175046-06230	2	BOLT, CLUTCH			
12		175018-42230	1	SPRING, CLUTCH			
13		175048-03920	2	WASHER			
14		175009-42231	2	SHOE, CLUTCH			
15		175049-03920	2	WASHER			
17		900519-00010	1	NUT, FLANGE 10	10*1.25		
20		A052-000010	1	PULLEY, ASM STARTER		Sus. by A052-000011	
20		A052-000011	1	PULLEY, ASM STARTER			
21	+	P022-002100	1	E-RING	4		
22	+	P022-002090	1	SPRING, RETURN	A0522160050		
23	+	177218-40630	1	PAWL, STARTER	WHITE		
24		900502-00008	1	NUT 8 (3N)	3N8		
26		A051-000070	1	STARTER, RECOIL			
27	+	177236-06910	1	SCREW			

## 2. Starter, Magneto, Clutch

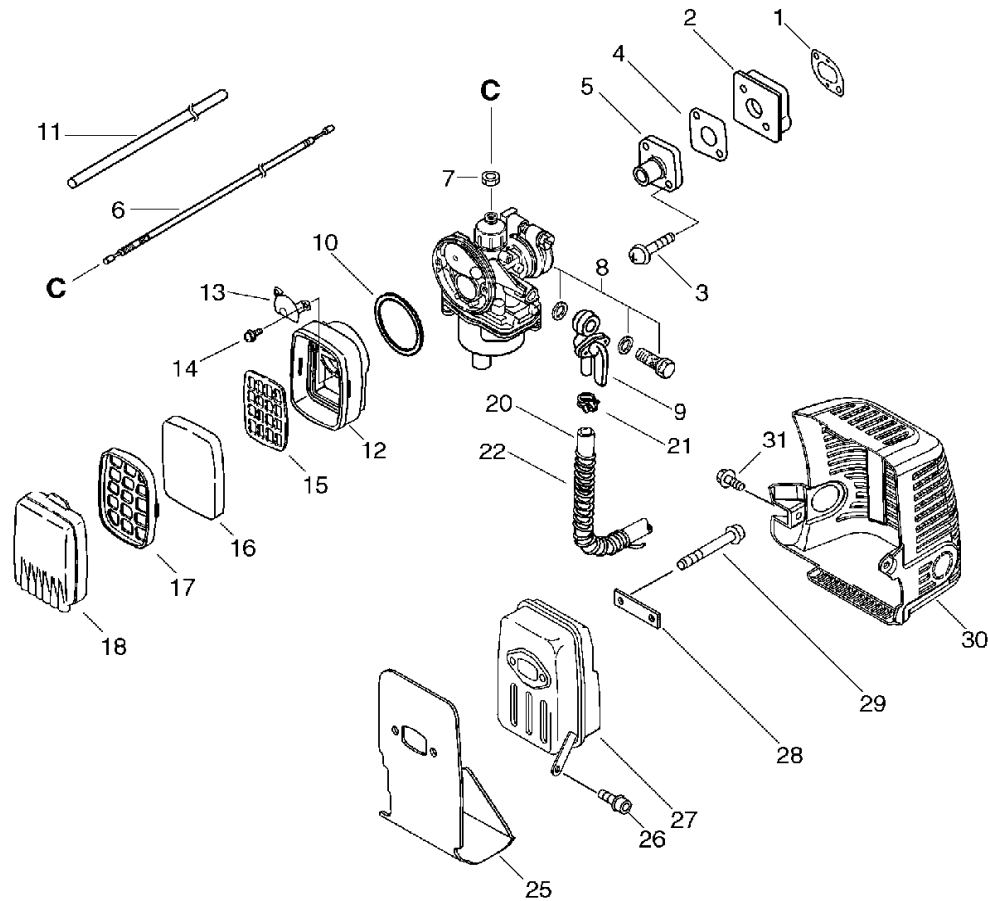
No.2



KEY	LV	PART NUMBER	Q'TY	DESCRIPTION	REMARKS	NOTE1	NOTE2
28	+	P022-002080	1	DRUM, STARTER			
29	+	177220-06310	1	SPRING, REWIND			
30	+	177226-06310	1	ROPE, STARTER	3.8*1150		
31	+	177227-42030	1	GUIDE, ROPE			
32	+	177228-27030	1	GRIP, STARTER			
33		900239-05022	4	SCREW 5*22	5*22		
35		890118-17930	1	LABEL, ECHO			
37		A409-000061	1	ROTOR,MAGNETO		Sus. by P021-005911	
36		P021-005910	1	ROTOR,MAGNETO KIT		Sus. by P021-005911	
36		P021-005911	1	ROTOR,MAGNETO KIT			
37	+	A409-000062	1	ROTOR,MAGNETO		Can be used P021-005910 and 005911	
37	+	A409-000063	1	ROTOR,MAGNETO		Can be used P021-005910 and 005911	
38	+	900323-03014	1	KEY WOODRUFF	3*14	Can be used P021-005910 and 005911	

### 3. Air Cleaner, Muffler

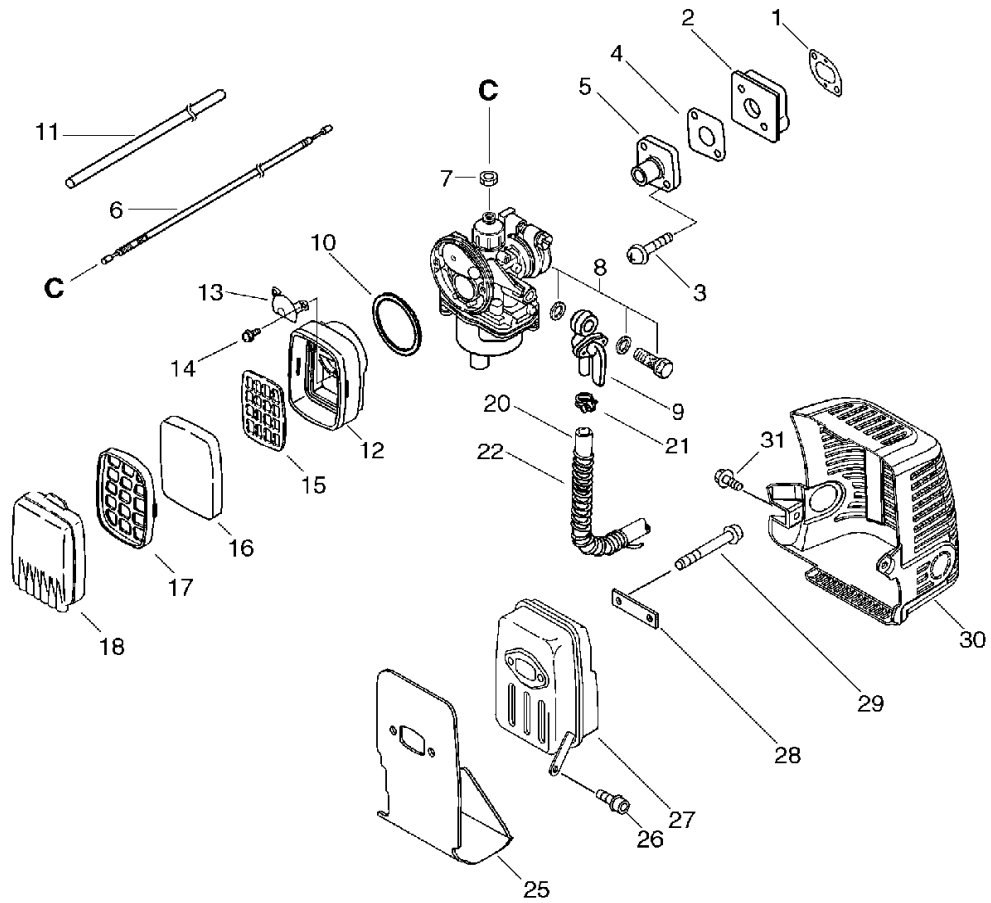
No.3



KEY	LV	PART NUMBER	Q'TY	DESCRIPTION	REMARKS	NOTE1	NOTE2
1		V103-000070	1	GASKET,INTAKE			
2		A200-000110	1	INSULATOR,INTAKE			
3		900238-05030	2	SCREW 5*30	5*30		
4		V103-000170	1	GASKET,INTAKE			
5		A201-000000	1	FLANGE,INTAKE CARB			
6		178004-42230	1	WIRE, THROTTLE	310*345		
7		178021-05530	1	LOCKNUT			
8		A020-000011	1	CARBURETOR,FLOAT	TK PC11R		
9		132200-00512	1	VALVE ASS'Y, FUEL			
10		130320-05810	1	SEAL, CLEANER			
11		178127-24030	1	TUBE	10*11*160		
12		130307-10321	1	CASE, AIR CLEANER			
13		129011-05110	1	PLATE			
14		900242-04010	2	SCREW 4*10	4*10		
15		130319-03710	1	GRID, AIR CLEANER			
16		A226-000150	1	ELEMENT,AIR FILTER			
17		130311-03710	1	GRID, AIR CLEANER			
18		130313-10720	1	COVER, AIR CLEANER			
20		132010-46630	1	PIPE, FUEL	7*11*470 BL		
21		132013-14010	1	BAND	10.5MM		
22		132015-22030	1	COIL, FUEL PIPE			
25		V104-000210	1	GASKET,EXHAUST			
26		900162-05012	1	BOLT, H.S. 5*12	5*12 W,SW		
27		A300-000320	1	MUFFLER,EXHAUST			
28		V150-000550	1	PLATE,EYE			
29		900105-06060	2	BOLT, H.S. 6*60	6*60		

### 3. Air Cleaner, Muffler

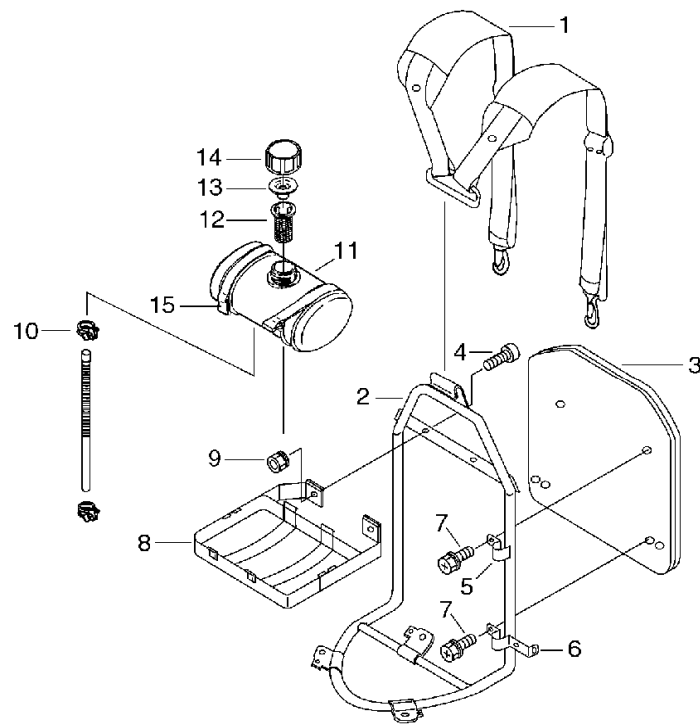
No.3



KEY	LV	PART NUMBER	Q'TY	DESCRIPTION	REMARKS	NOTE1	NOTE2
30		A320-000070	1	COVER,MUFFLER			
31		900238-05014	1	SCREW 5*14	5*14		

### 4. Fuel Tank, Harness

No.4

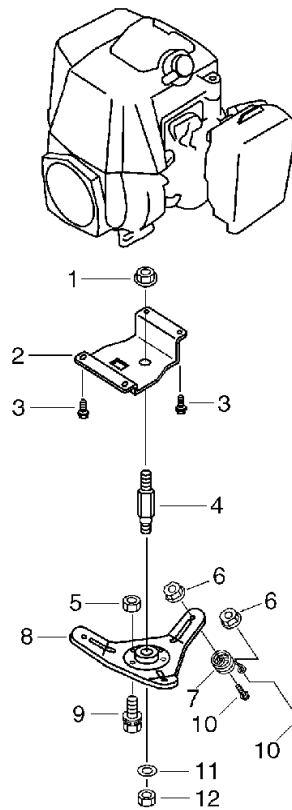


KEY	LV	PART NUMBER	Q'TY	DESCRIPTION	REMARKS	NOTE1	NOTE2
1		P022-005980	1	HARNESS, BACKPACK			
2		P022-005990	1	FLAME, BACKPACK			
3		P022-006320	1	CUSHION, BACKPACK			
4		P022-005950	2	CAP BOLT			
5		300220-64130	2	BRACKET, CUSHION			
6		300226-64130	2	BRACKET, CUSHION			
7		P022-005970	6	BOLT			
8		104922-64131	1	BRACKET, FUEL TANK			
9		P022-005940	2	NUT			
10		132013-14010	1	BAND	10.5MM		
11		131000-64131	1	TANK ASY, FUEL			
12		131110-64130	1	STRAINER, FUEL			
13		131003-64130	1	CUP SET, VENT			
14		131017-64131	1	CAP, FUEL	#6114-001B		
15		131917-64130	2	BAND, FUEL TANK			



# 5. Engine Plate

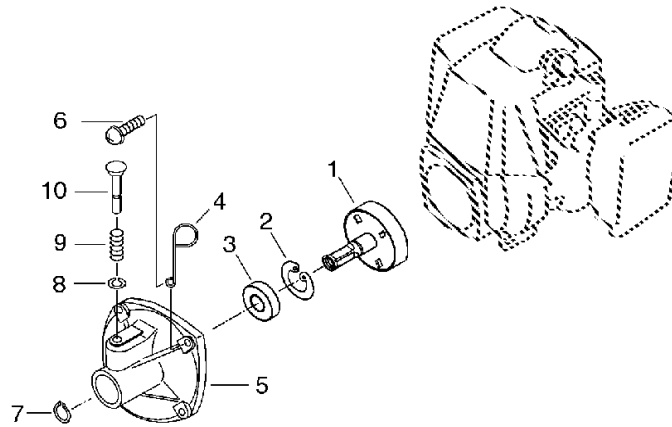
No.5



KEY	LV	PART NUMBER	Q'TY	DESCRIPTION	REMARKS	NOTE1	NOTE2
1		P022-000920	1	NUT, FRANGE	M10 P1.25		
2		C632-000080	1	PLATE,ENG			
3		P022-005930	4	BOLT			
4		C633-000000	1	SHAFT,ROTATION			
5		900500-00006	1	NUT 6	6		
6		900515-00006	6	NUT, FLANGE 6	6		
7		V450-000280	3	SPRING,COMPRESSION			
8		104925-64131	1	BRACKET, ENGINE			
9		P022-005960	1	CAP BOLT			
10		900182-06016	6	BOLT	6*16 W,SW		
11		92240-10000	1	WASHER CONICAL	M10		
12		900501-00010	1	NUT 10*1.25	10*P1.25		

# 6. Clutch Case

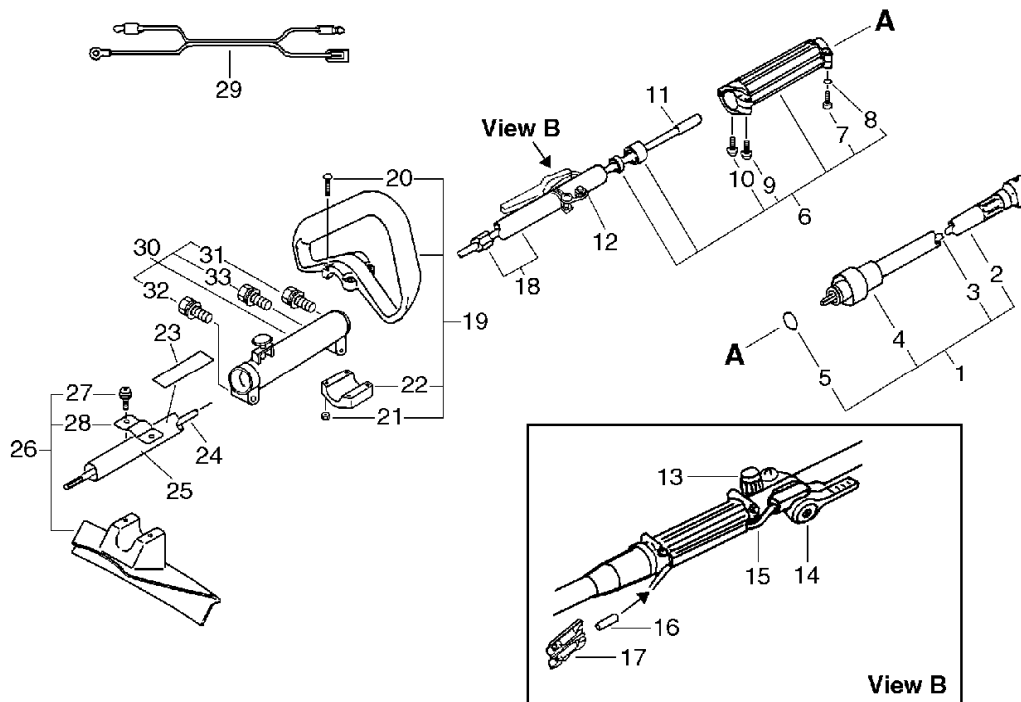
No.6



KEY	LV	PART NUMBER	Q'TY	DESCRIPTION	REMARKS	NOTE1	NOTE2
1		P022-006350	1	DRUM, CLUTCH			
2		900702-00035	1	CIRCLIP 35	CR-35		
3		900814-06202	1	BEARING, BALL 6202	6202ZZ		
4		132013-64130	1	CLIP			
5		A570-000080	1	CASE,CLUTCH			
6		900242-05016	4	SCREW 5*16	5*16		
7		900701-00015	1	CIRCLIP 15	CS-15		
8		900700-00005	1	E-RING 5	CE-5		
9		610251-64130	1	SPRING			
10		P022-006360	1	LOCK PIN			

# 7. Handle, Shield

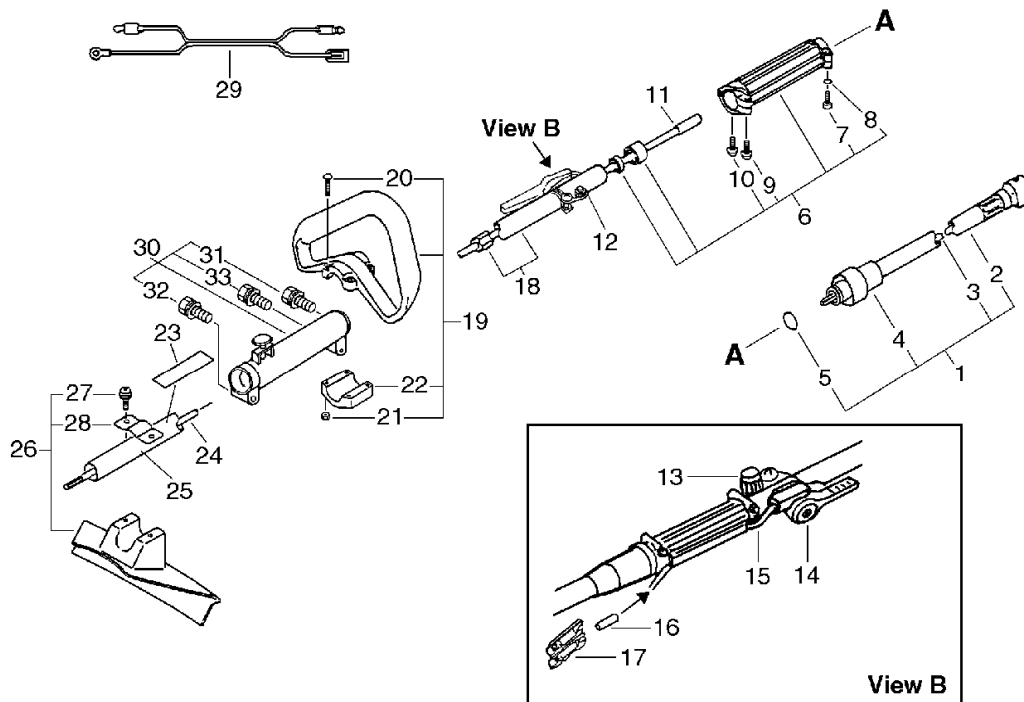
No.7



KEY	LV	PART NUMBER	Q'TY	DESCRIPTION	REMARKS	NOTE1	NOTE2
1		610003-64330	1	SHAFT KIT, FLEXIBLE		RM-4300K	
1		610003-64130	1	SHAFT KIT, FLEXIBLE		RM-4300KS	
2	+	610209-64330	1	COVER, FLEXIBLE		RM-4300K	
2	+	610209-64130	1	COVER, FLEXIBLE		RM-4300KS	
3	+	610013-64330	1	SHAFT, FLEXIBLE			
4	+	610276-64130	1	COVER			
5	+	900720-00018	1	O-RING 18	P-18		
6		610601-64231	1	BRACKET ASY, M.PIPE			
7	+	P022-006380	1	BOLT			
8	+	900605-00005	1	WASHER, SPRING 5	5		
9	+	P022-006370	1	BOLT			
10	+	900142-05010	1	BOLT 5*10 (W/W,SW)	5*10		
11		610011-64330	1	SHAFT, DRIVE		RM-4300K	
11		610011-64230	1	SHAFT, DRIVE		RM-4300KS	
12		163810-64131	1	BRACKET, SWITCH			
13		163400-64130	1	SWITCH, IGNITION			
14		178000-64130	1	CONTROL, THROTTLE			
15		178001-64131	1	CABLE, THROTTLE			
16		P022-006330	1	TUBE			
17		178081-55931	1	CONNECTOR,CABLE			
18		610206-64330	1	PIPE, MAIN		RM-4300K	
18		610206-64230	1	PIPE, MAIN		RM-4300KS	
19		351400-64130	1	HANDLE ASY, LOOP		Sus. by 351400-64131	
19		351400-64131	1	HANDLE ASY,LOOP			
20	+	900238-05035	4	SCREW 5*35	5*35		

# 7. Handle, Shield

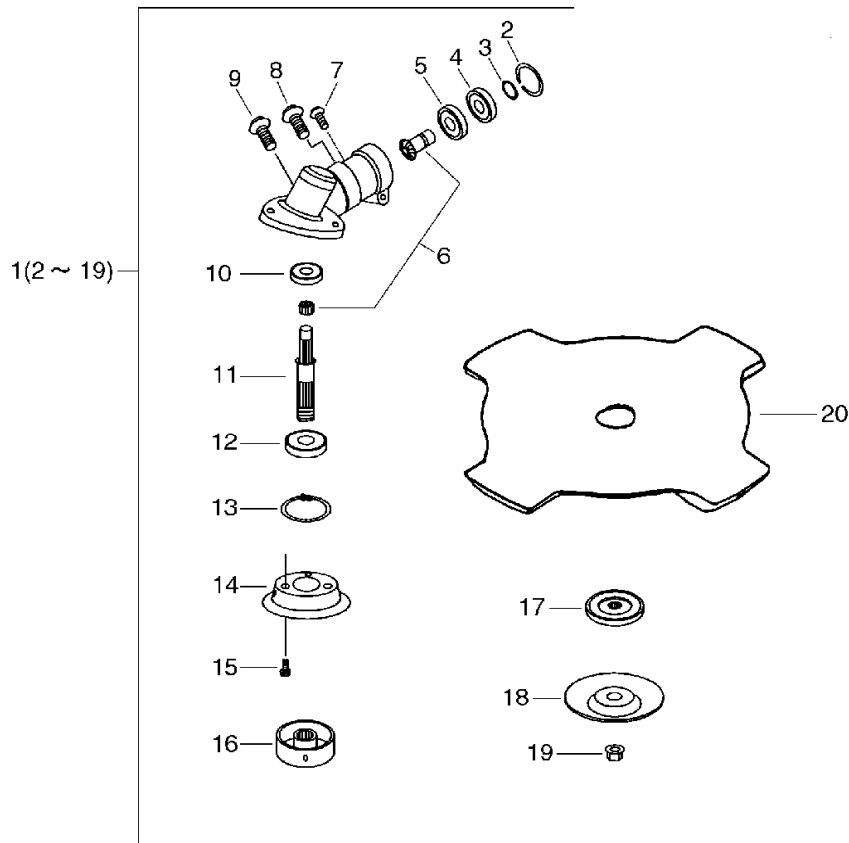
No.7



KEY	LV	PART NUMBER	Q'TY	DESCRIPTION	REMARKS	NOTE1	NOTE2
21	+	900500-00005	4	NUT 5	5		
22	+	351225-64130	1	BRACKET, HANDLE			
23		890617-43130	1	LABEL, CAUTION			
24		610011-64130	1	SHAFT, DRIVE		RM-4300KS	
25		610206-64130	1	PIPE, MAIN		RM-4300KS	
26		699000-64130	1	SHIELD ASY			
27	+	900182-06016	2	BOLT	6*16 W,SW		
28	+	699011-64130	1	BRACKET, SHIELD			
29		162010-64130	1	LEAD			
30		610601-64130	1	HOLDER, MAIN PIPE		RM-4300KS	
31	+	P022-006340	1	BOLT		RM-4300KS	
32	+	P022-005880	1	BOLT		RM-4300KS	
33	+	900182-06030	1	BOLT	6*30 W,SW	RM-4300KS	

8. Gear Case, Blade

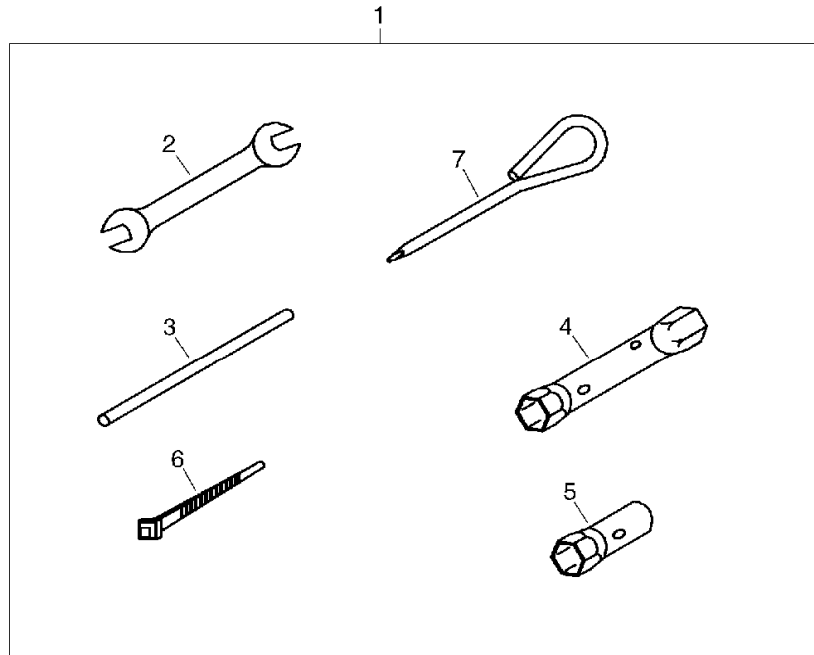
No.8



KEY	LV	PART NUMBER	Q'TY	DESCRIPTION	REMARKS	NOTE1	NOTE2
1		610400-64131	1	CASE ASY, GEAR			
2	+	900702-00026	1	CIRCLIP 26	CR-26		
3	+	900701-00010	1	CIRCLIP 10	CS-10		
4	+	900803-06000	1	BEARING,BALL BB6000Z	6000Z		
5	+	900800-06000	1	BEARING, BALL 6000	6000		
6	+	610300-64130	1	GEAR SET			
7	+	P022-006300	1	BOLT			
8	+	610474-64130	1	SCREW			
9	+	P022-006310	1	BOLT			
10	+	900810-00629	1	BEARING, BALL 629	629		
11	+	610310-64130	1	SHAFT, P.T.O.			
12	+	900812-06201	1	BEARING, BALL 6201	6201DDU(LLU)		
13	+	900702-00032	1	CIRCLIP 32	CR-32		
14	+	P022-006260	1	PLATE, GUARD			
15	+	900241-05008	3	SCREW 5*8	5*8		
16	+	P022-006290	1	PLATE, CUTTER (U)			
17	+	P022-006280	1	PLATE,ADAPTER (L)			
18	+	P022-006270	1	PLATE, COVER			
19	+	610320-64130	1	NUT			
20		696001-64130	1	BLADE, 4-CUTTER		Sus. by 696001-64132	
20		696001-64132	1	SAW,BUSH CUTTER	4X255X25.4 T1.4		

9. Tools

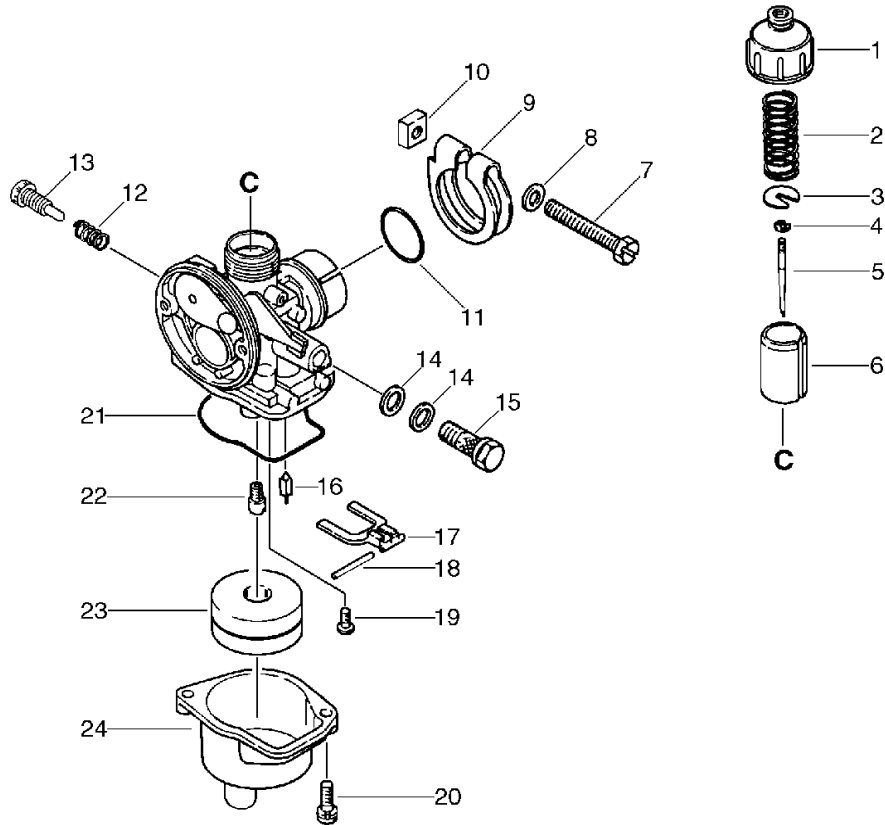
No.9



KEY	LV	PART NUMBER	Q'TY	DESCRIPTION	REMARKS	NOTE1	NOTE2
1		896000-64430	1	TOOL,ASM		RM-4300K	
1		896000-64130	1	TOOL SET		RM-4300KS	
2	+	895112-00330	1	SPANNER 8*10			
3	+	897518-64130	1	TOOL, LOCKING			
4	+	895419-05330	1	WRENCH, BOX 17*19			
5	+	895415-64130	1	WRENCH, SPCKET		RM-4300KS	
6	+	178121-10050	2	BAND	CV-150		
7	+	895710-64130	1	DRIVER, SCREW			

10. Carburetor

No.10



KEY	LV	PART NUMBER	Q'TY	DESCRIPTION	REMARKS	NOTE1	NOTE2
		A020-000011	1	CARBURETOR,FLOAT	TK PC11R		
1	+	124113-05530	1	COVER, TOP			
2	+	124114-05530	1	SPRING, THROTTLE			
3	+	124115-05530	1	SEAT, SPRING			
4	+	124116-05530	1	E-RING			
5	+	P004-000130	1	NEEDLE, JET			
6	+	124118-47230	1	VALVE, THROTTLE			
7	+	124147-46630	1	BOLT			
8	+	900600-00005	1	WASHER 5	5		
9	+	124146-46630	1	CLIP, OUTLET			
10	+	124151-13020	1	NUT			
11	+	124149-46630	1	GASKET, FRANGE			
12	+	124160-11120	1	SPRING, IDLE ADJUST			
13	+	124159-46630	1	SCREW, IDLE ADJUST			
14	+	124130-11120	2	GASKET			
15	+	124131-05930	1	BOLT, BANJO			
16	+	124102-11120	1	VALVE ASY, NEEDLE			
17	+	124121-46630	1	ARM, FLOAT			
18	+	124132-46630	1	PIN, LEVER			
19	+	900220-03006	1	SCREW 3*6	3*6		
20	+	900220-04016	2	SCREW 4*16	4*16		
21	+	124123-46631	1	GASKET, CHAMBER			
22	+	124122-46630	1	JET, MAIN			
23	+	124133-11120	1	FLOAT			
24	+	124104-46630	1	CHAMBER ASY, FLOAT			

**Index**

<b>Patrs Number</b>	<b>Key No.</b>	<b>Patrs Number</b>	<b>Key No.</b>	<b>Patrs Number</b>	<b>Key No.</b>
100011-10530	1 - 10	162010-64130	7 - 29	699011-64130	7 - 28
100012-12331	1 - 13	163400-64130	7 - 13	890118-17930	2 - 35
100015-00120	1 - 12	163810-64131	7 - 12	890617-43130	7 - 23
100213-00310	1 - 22	175009-42231	2 - 14	895112-00330	9 - 2
100213-05530	1 - 17	175018-42230	2 - 12	895415-64130	9 - 5
100215-03930	1 - 21	175046-06230	2 - 11	895419-05330	9 - 4
104922-64131	4 - 8	175048-03920	2 - 13	895710-64130	9 - 7
104925-64131	5 - 8	175049-03920	2 - 15	896000-64130	9 - 1
124102-11120	10 - 16	177218-40630	2 - 23	896000-64430	9 - 1
124104-46630	10 - 24	177220-06310	2 - 29	897518-64130	9 - 3
124113-05530	10 - 1	177226-06310	2 - 30	900105-06060	3 - 29
124114-05530	10 - 2	177227-42030	2 - 31	900142-05010	7 - 10
124115-05530	10 - 3	177228-27030	2 - 32	900162-05012	3 - 26
124116-05530	10 - 4	177236-06910	2 - 27	900162-05020	1 - 3
124118-47230	10 - 6	178000-64130	7 - 14	900162-05020	2 - 9
124121-46630	10 - 17	178001-64131	7 - 15	900162-05035	1 - 23
124122-46630	10 - 22	178004-42230	3 - 6	900182-06016	5 - 10
124123-46631	10 - 21	178021-05530	3 - 7	900182-06016	7 - 27
124130-11120	10 - 14	178081-55931	7 - 17	900182-06030	7 - 33
124131-05930	10 - 15	178121-10050	9 - 6	900220-03006	10 - 19
124132-46630	10 - 18	178127-24030	3 - 11	900220-04016	10 - 20
124133-11120	10 - 23	300220-64130	4 - 5	900238-05014	1 - 41
124146-46630	10 - 9	300226-64130	4 - 6	900238-05014	3 - 31
124147-46630	10 - 7	351225-64130	7 - 22	900238-05020	1 - 33
124149-46630	10 - 11	351400-64130	7 - 19	900238-05030	3 - 3
124151-13020	10 - 10	351400-64131	7 - 19	900238-05035	7 - 20
124159-46630	10 - 13	610003-64130	7 - 1	900239-05022	1 - 36
124160-11120	10 - 12	610003-64330	7 - 1	900239-05022	2 - 33
129011-05110	3 - 13	610011-64130	7 - 24	900241-05008	8 - 15
130307-10321	3 - 12	610011-64230	7 - 11	900242-04010	3 - 14
130311-03710	3 - 17	610011-64330	7 - 11	900242-05016	6 - 6
130313-10720	3 - 18	610013-64330	7 - 3	900323-03014	2 - 38
130319-03710	3 - 15	610206-64130	7 - 25	900500-00005	7 - 21
130320-05810	3 - 10	610206-64230	7 - 18	900500-00006	5 - 5
131000-64131	4 - 11	610206-64330	7 - 18	900501-00010	5 - 12
131003-64130	4 - 13	610209-64130	7 - 2	900502-00008	2 - 24
131017-64131	4 - 14	610209-64330	7 - 2	900515-00006	5 - 6
131110-64130	4 - 12	610251-64130	6 - 9	900519-00010	2 - 17
131917-64130	4 - 15	610276-64130	7 - 4	900600-00005	10 - 8
132010-46630	3 - 20	610300-64130	8 - 6	900605-00005	7 - 8
132013-14010	3 - 21	610310-64130	8 - 11	900700-00005	6 - 8
132013-14010	4 - 10	610320-64130	8 - 19	900701-00010	8 - 3
132013-64130	6 - 4	610400-64131	8 - 1	900701-00015	6 - 7
132015-22030	3 - 22	610474-64130	8 - 8	900702-00026	8 - 2
132200-00512	3 - 9	610601-64130	7 - 30	900702-00032	8 - 13
156114-04920	2 - 6	610601-64231	7 - 6	900702-00035	6 - 2
159017-16431	2 - 3	696001-64130	8 - 20	900720-00018	7 - 5
159116-21231	1 - 32	696001-64132	8 - 20	900800-06000	8 - 5
162010-29330	2 - 7	699000-64130	7 - 26	900803-06000	8 - 4



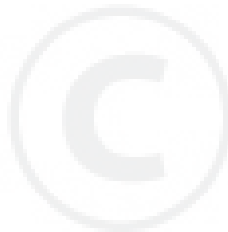
**Index**

<b>Patrs Number</b>	<b>Key No.</b>	<b>Patrs Number</b>	<b>Key No.</b>	<b>Patrs Number</b>	<b>Key No.</b>
900810-00629	8 - 10	P022-005980	4 - 1		
900810-36202	1 - 19	P022-005990	4 - 2		
900812-06201	8 - 12	P022-006260	8 - 14		
900814-06202	6 - 3	P022-006270	8 - 18		
92240-10000	5 - 11	P022-006280	8 - 17		
94035-36201	1 - 18	P022-006290	8 - 16		
A011-000120	1 - 15	P022-006300	8 - 7		
A011-000330	1 - 15	P022-006310	8 - 9		
A020-000011	10 -	P022-006320	4 - 3		
A020-000011	3 - 8	P022-006330	7 - 16		
A051-000070	2 - 26	P022-006340	7 - 31		
A052-000010	2 - 20	P022-006350	6 - 1		
A052-000011	2 - 20	P022-006360	6 - 10		
A130-000290	1 - 2	P022-006370	7 - 9		
A130-000291	1 - 2	P022-006380	7 - 7		
A160-000241	1 - 39	V100-000040	1 - 4		
A162-000020	1 - 38	V102-000001	1 - 20		
A172-000350	1 - 31	V103-000070	3 - 1		
A200-000110	3 - 2	V103-000170	3 - 4		
A201-000000	3 - 5	V104-000210	3 - 25		
A226-000150	3 - 16	V141-000020	2 - 4		
A300-000320	3 - 27	V150-000550	3 - 28		
A320-000070	3 - 30	V307-000060	1 - 14		
A409-000061	2 - 37	V353-000020	1 - 37		
A409-000062	2 - 37	V450-000280	5 - 7		
A409-000063	2 - 37	V475-001610	2 - 5		
A411-000050	2 - 10	V485-000150	2 - 8		
A426-000000	2 - 2	V555-000010	1 - 13		
A427-000000	2 - 1	V608-000000	1 - 11		
A570-000080	6 - 5	X503-004130	1 - 42		
C632-000080	5 - 2				
C633-000000	5 - 4				
P004-000130	10 - 5				
P021-002460	1 - 9				
P021-002471	1 - 16				
P021-005910	2 - 36				
P021-005911	2 - 36				
P021-007170	1 - 9				
P021-007171	1 - 9				
P022-000920	5 - 1				
P022-002080	2 - 28				
P022-002090	2 - 22				
P022-002100	2 - 21				
P022-005880	7 - 32				
P022-005930	5 - 3				
P022-005940	4 - 9				
P022-005950	4 - 4				
P022-005960	5 - 9				
P022-005970	4 - 7				

# YAMABIKO CORPORATION

7-2 SUEHIROCHO 1-CHOME, OHME, TOKYO 198-8760, JAPAN  
PHONE: 81-428-32-6118. FAX: 81-428-32-6145.

**ECHO**®



00KS  
No.