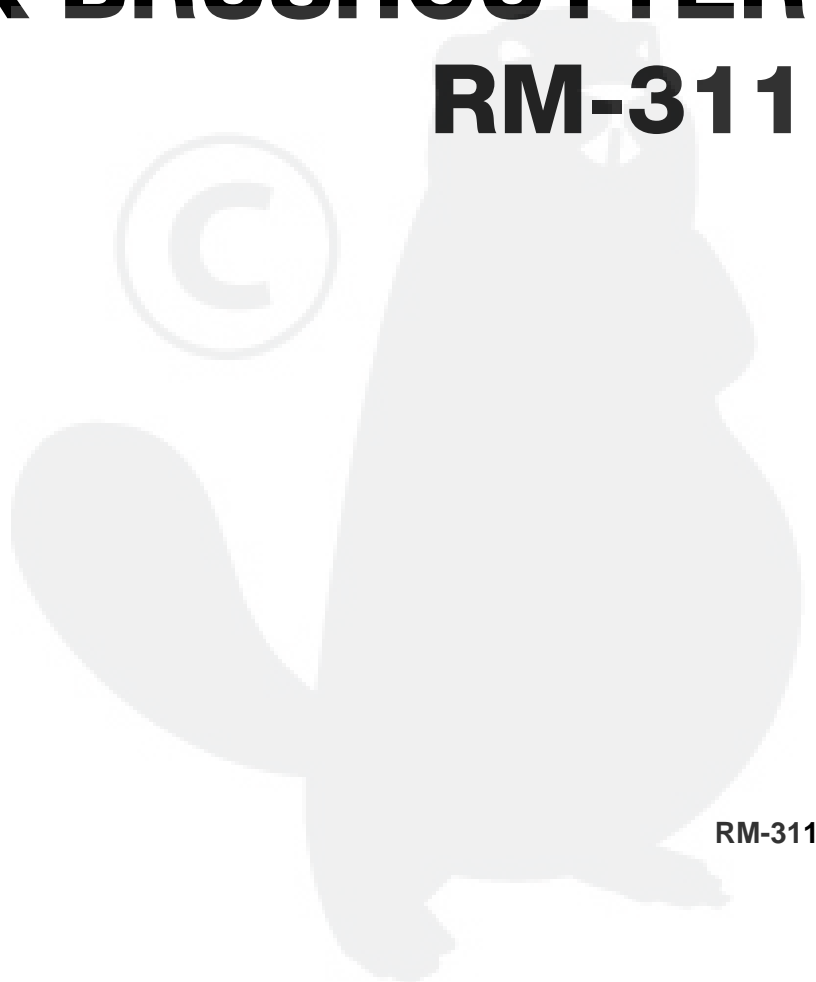
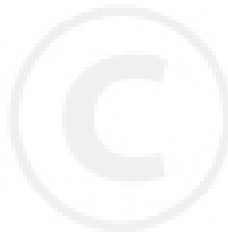




# **PARTS CATALOG**

## **BACKPACK BRUSHCUTTER**

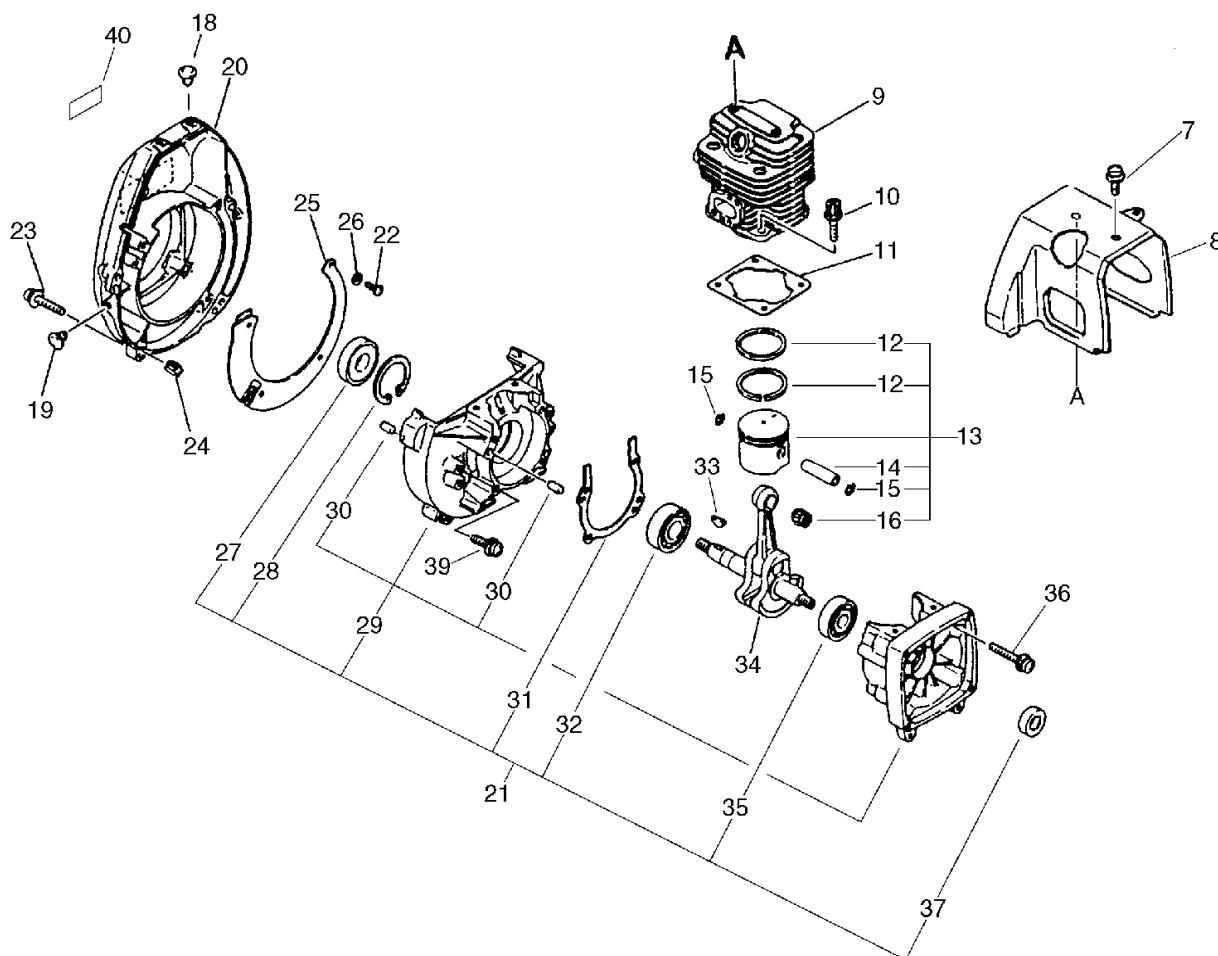
**RM-311**



RM-311

# 1. Cylinder, Crankcase, Piston, Fan Cover

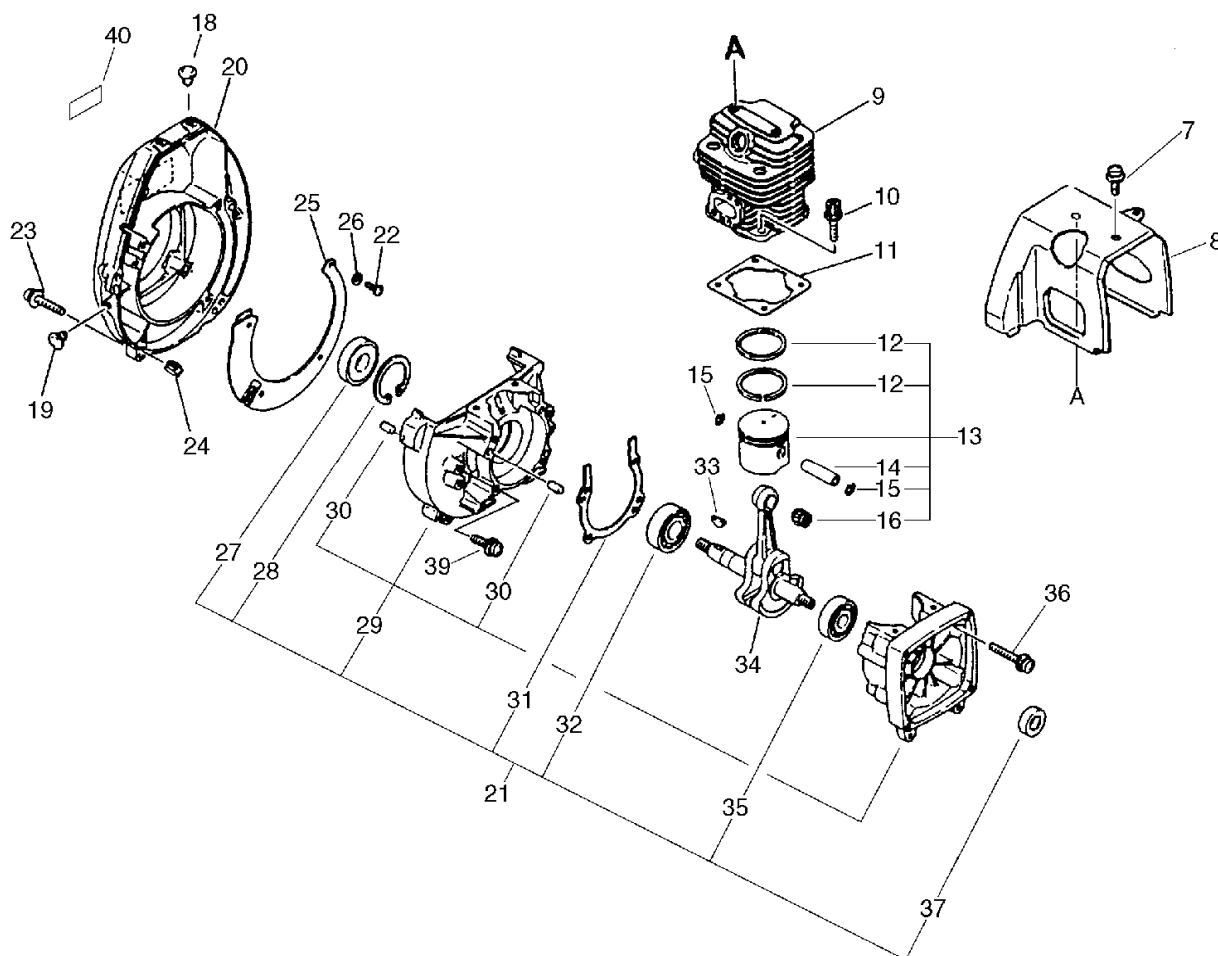
No.1



| KEY | LV | PART NUMBER  | Q'TY | DESCRIPTION          | REMARKS     | NOTE1                | NOTE2 |
|-----|----|--------------|------|----------------------|-------------|----------------------|-------|
| 7   |    | 900242-05012 | 2    | SCREW 5*12           | 5*12        |                      |       |
| 8   |    | 101514-27530 | 1    | COVER, CYLINDER (BL) |             |                      |       |
| 9   |    | 101011-27530 | 1    | CYLINDER             |             |                      |       |
| 10  |    | 900162-05020 | 4    | BOLT, H.S. 5*20      | 5*20 W,SW   |                      |       |
| 11  |    | 101010-21230 | 1    | GASKET, CYL. BASE    |             |                      |       |
| 13  |    | 100000-27430 | 1    | PISTON KIT           |             | Sus. by 100000-27431 |       |
| 13  |    | 100000-27431 | 1    | PISTON KIT           |             |                      |       |
| 12  | +  | 100011-16131 | 2    | RING, PISTON         |             |                      |       |
| 14  | +  | 100013-27430 | 1    | PIN, PISTON          |             |                      |       |
| 15  | +  | 100015-03930 | 2    | CIRCLIP, PISTON PIN  |             | Sus. by 100015-03931 |       |
| 15  | +  | 100015-03931 | 2    | CIRCLIP, PISTON PIN  |             |                      |       |
| 16  | +  | 100012-16131 | 1    | BEARING, NEEDLE      |             |                      |       |
| 18  |    | 880517-40030 | 1    | PLUG                 |             |                      |       |
| 19  |    | 880517-28230 | 1    | PLUG                 |             |                      |       |
| 20  |    | 101511-27430 | 1    | COVER, FAN (BS)      |             | Sus. by A172-000000  |       |
| 20  |    | A172-000000  | 1    | COVER, FAN           |             |                      |       |
| 21  |    | 100204-27430 | 1    | CRANKCASE KIT        |             |                      |       |
| 27  | +  | 100212-05730 | 1    | OILSEAL              | ISD 15*35*8 |                      |       |
| 28  | +  | 900702-00035 | 1    | CIRCLIP 35           | CR-35       |                      |       |
| 29  | +  | 100200-27430 | 1    | CRANKCASE SET        |             |                      |       |
| 30  | ++ | 100215-02830 | 4    | PIN, DOWEL           |             |                      |       |
| 31  | +  | 100242-21230 | 1    | GASKET, CRANKCASE    |             |                      |       |
| 32  | +  | 900810-36202 | 1    | BEARING, BALL 6202   | 6202/C3     |                      |       |

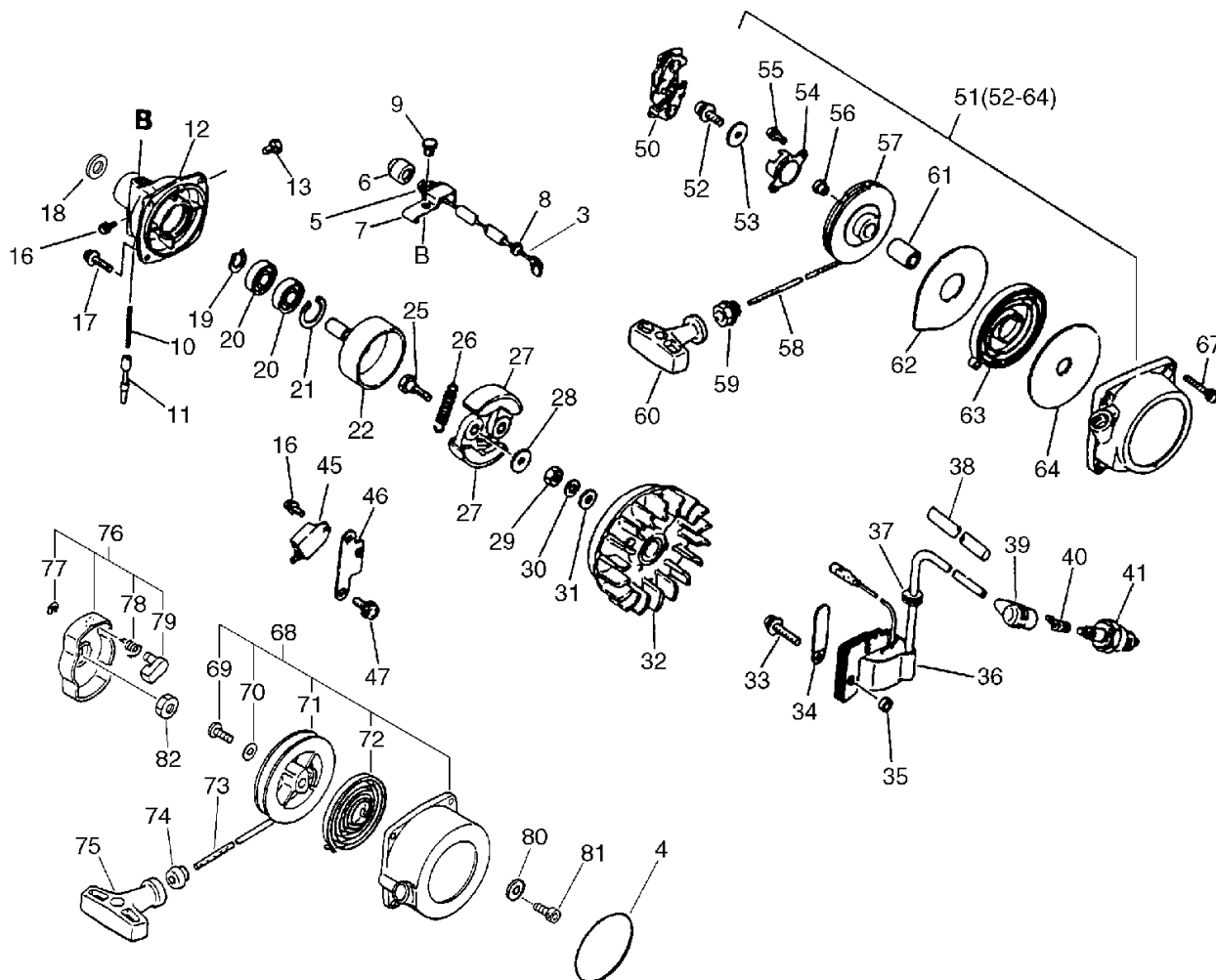
# 1. Cylinder, Crankcase, Piston, Fan Cover

No.1



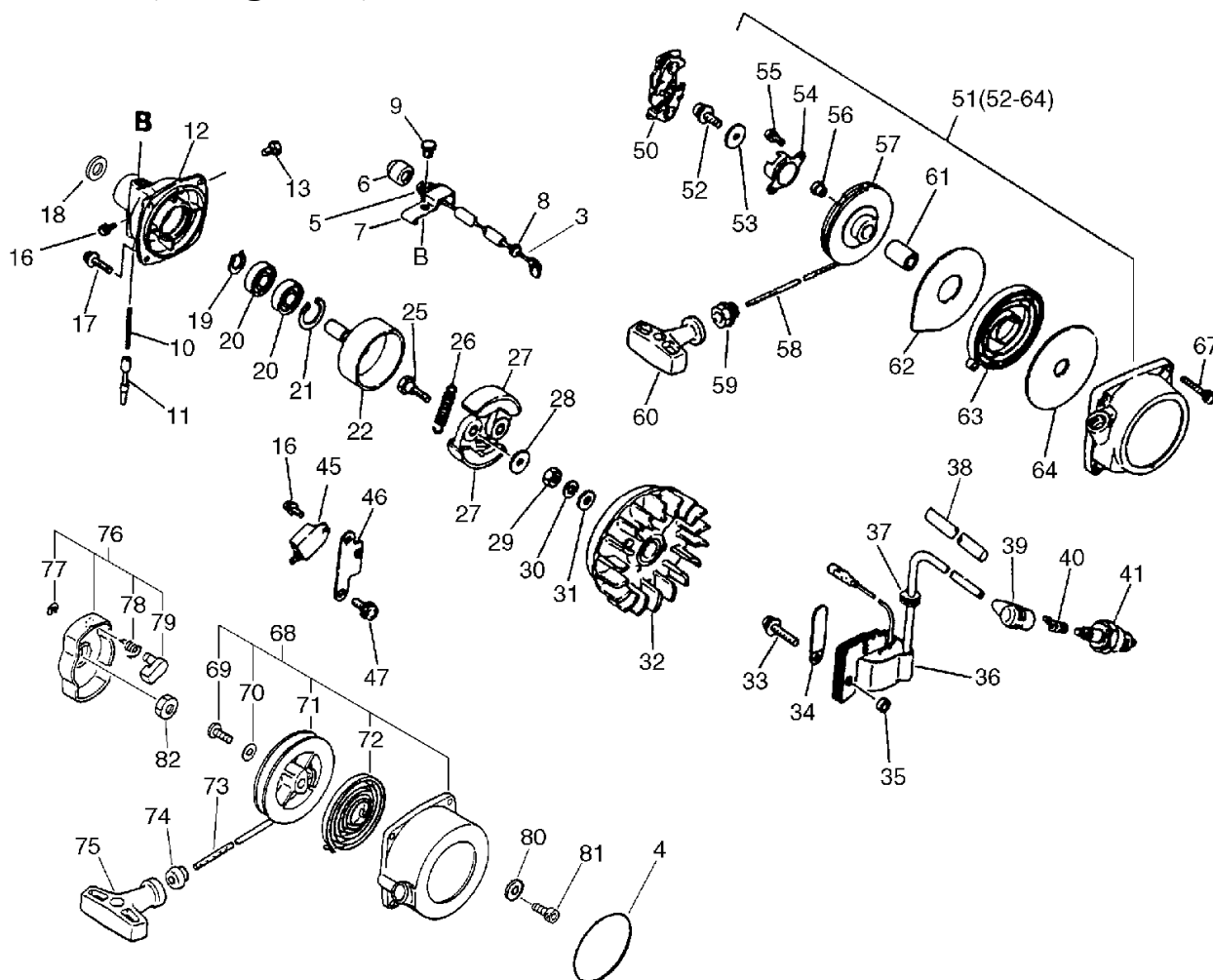
| KEY | LV | PART NUMBER  | Q'TY | DESCRIPTION        | REMARKS      | NOTE1               | NOTE2 |
|-----|----|--------------|------|--------------------|--------------|---------------------|-------|
| 35  | +  | 900810-36201 | 1    | BEARING, BALL 6201 | 6201/C3      | Sus. by 94035-36201 |       |
| 35  | +  | 94035-36201  | 1    | BEARING BALL       | 6201X3JR2C3  |                     |       |
| 37  | +  | 100213-05530 | 1    | OILSEAL            | ISCD 12 22 7 |                     |       |
| 22  |    | 900220-04008 | 4    | SCREW 4*8          | 4*8          |                     |       |
| 23  |    | 900242-05025 | 4    | SCREW 5*25         | 5*25         |                     |       |
| 24  |    | 101583-21230 | 1    | PLUG               |              |                     |       |
| 25  |    | 101534-21230 | 1    | PLATE, GUIDE       |              |                     |       |
| 26  |    | 900600-00004 | 1    | WASHER 4           | 4            |                     |       |
| 33  |    | 100142-00310 | 1    | KEY, WOODRUFF (M)  |              |                     |       |
| 34  |    | 100100-21230 | 1    | CRANKSHAFT ASSY    |              |                     |       |
| 36  |    | 900242-05030 | 4    | SCREW 5*30         | 5*30         |                     |       |
| 39  |    | 900220-05008 | 2    | SCREW 5*8          | 5*8          |                     |       |
| 40  |    | 890034-28930 | 1    | LABEL, MODEL       |              |                     |       |

## 2. Starter, Magneto, Clutch



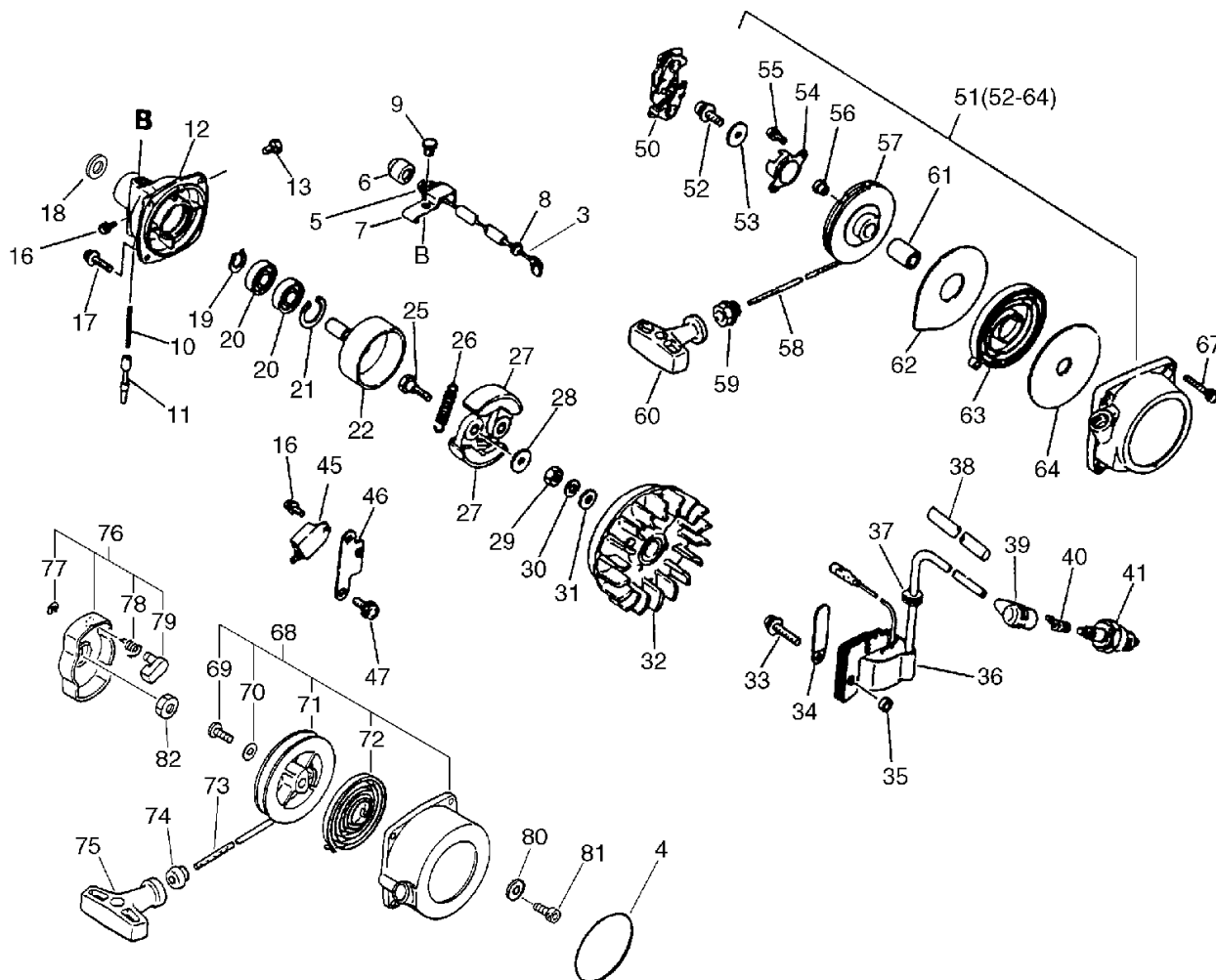
| KEY | LV | PART NUMBER  | Q'TY | DESCRIPTION           | REMARKS      | NOTE1               | NOTE2 |
|-----|----|--------------|------|-----------------------|--------------|---------------------|-------|
| 3   |    | 162000-22030 | 1    | LEAD                  |              |                     |       |
| 4   |    | 890053-56330 | 1    | LABEL, KIORITZ 56.5MM | 56.5         |                     |       |
| 5   |    | 166101-07130 | 1    | SWITCH                |              |                     |       |
| 6   |    | 163910-22330 | 1    | COVER, STOP SWITCH    |              |                     |       |
| 7   |    | 163810-27630 | 1    | BRACKET, SWITCH       |              |                     |       |
| 8   |    | 156114-04920 | 1    | GROMMET               |              |                     |       |
| 9   |    | 610250-07130 | 1    | BOLT                  |              |                     |       |
| 10  |    | 610251-07130 | 1    | SPRING                |              |                     |       |
| 11  |    | 610252-07130 | 1    | LOCKPIN               |              |                     |       |
| 12  |    | 610223-28931 | 1    | FLANGE, D.S. HOUSING  |              |                     |       |
| 13  |    | 900100-06008 | 1    | BOLT 6*8              | 6*8          |                     |       |
| 16  |    | 900242-04008 | 2    | SCREW                 | 4*8          |                     |       |
| 17  |    | 900242-05020 | 4    | SCREW 5*20            | 5*20         |                     |       |
| 18  |    | 175313-20430 | 1    | RING, FELT            |              |                     |       |
| 19  |    | 900701-00012 | 1    | CIRCLIP 12            | CS-12        |                     |       |
| 20  |    | 900802-06001 | 2    | BEARING, BALL 6001    | 6001DDU(LLU) | Sus. by 94042-06001 |       |
| 20  |    | 94042-06001  | 2    | BEARING BALL          | 6001LLU      |                     |       |
| 21  |    | 900702-00028 | 1    | CIRCLIP 28            | CR-28        |                     |       |
| 22  |    | 175005-22032 | 1    | DRUM, CLUTCH          |              |                     |       |
| 25  |    | 175046-22332 | 2    | BOLT, CLUTCH          |              |                     |       |
| 26  |    | 175018-05731 | 1    | SPRING, CLUTCH        |              |                     |       |
| 27  |    | 175009-05733 | 2    | SHOE, CLUTCH          |              |                     |       |
| 28  |    | 175048-05530 | 2    | WASHER (I)            | 6.2*19*1.0   |                     |       |
| 29  |    | 900500-00008 | 1    | NUT 8                 | 8*P1.25      |                     |       |
| 30  |    | 900605-00008 | 1    | WASHER, SPRING 8      | 8            |                     |       |

## 2. Starter, Magneto, Clutch



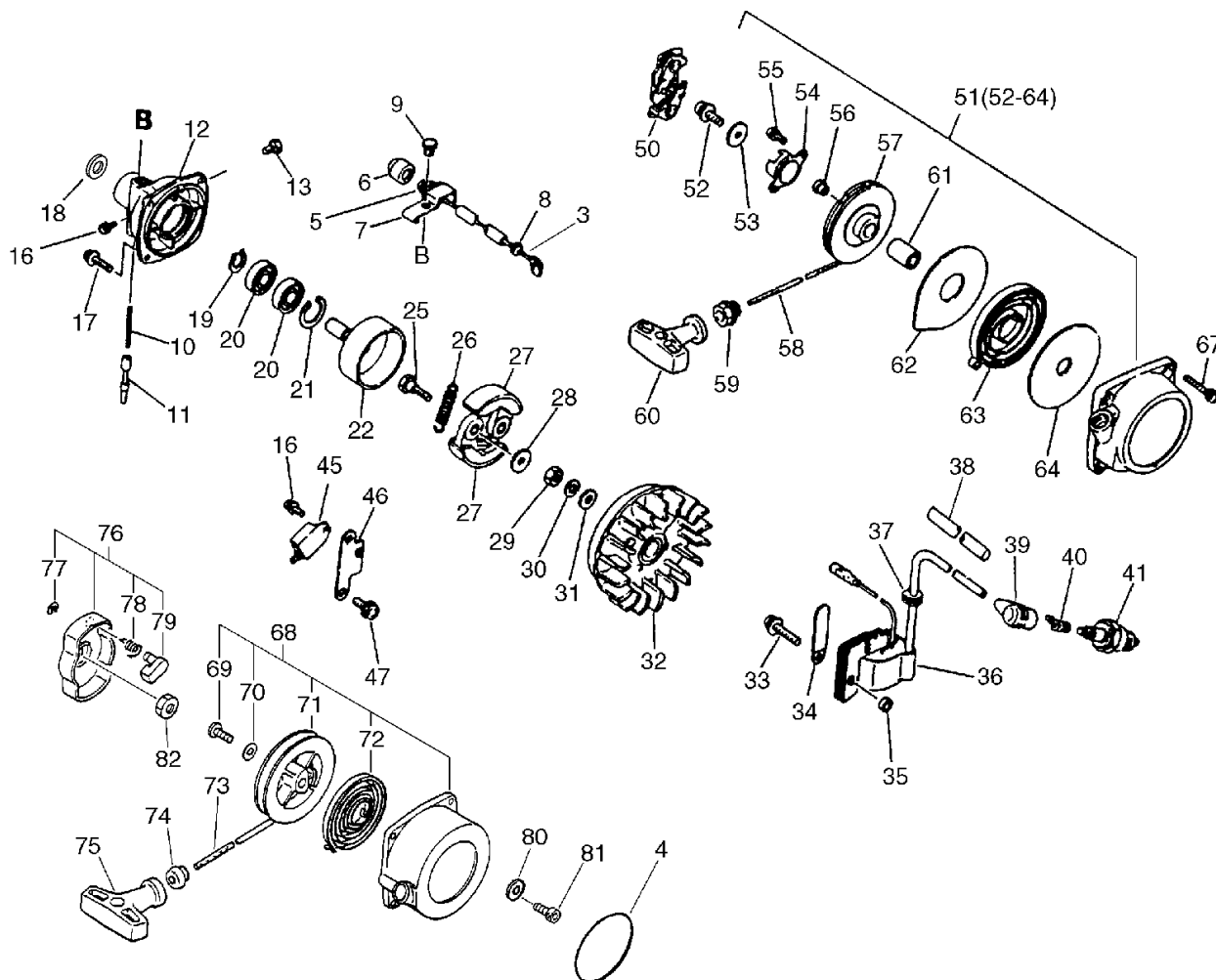
| KEY | LV | PART NUMBER  | Q'TY | DESCRIPTION          | REMARKS     | NOTE1                   | NOTE2 |
|-----|----|--------------|------|----------------------|-------------|-------------------------|-------|
| 31  |    | 175049-03920 | 1    | WASHER               |             |                         |       |
| 32  |    | 152801-27430 | 1    | ROTOR, MAGNET        |             |                         |       |
| 33  |    | 900242-05025 | 2    | SCREW 5*25           | 5*25        |                         |       |
| 34  |    | 159116-21231 | 1    | CLAMP                |             |                         |       |
| 35  |    | 150117-16430 | 2    | SPACER               |             |                         |       |
| 36  |    | 152626-27530 | 1    | COIL, IGNITION       |             |                         |       |
| 37  |    | 152112-05730 | 1    | BUSHING              |             |                         |       |
| 38  |    | 152111-28930 | 1    | TUBE                 | 6*8*110     |                         |       |
| 39  |    | 159012-03433 | 1    | CAP, SPARK PLUG      |             |                         |       |
| 40  |    | 159011-03432 | 1    | COIL, SPARK PLUG     |             |                         |       |
| 41  |    | 159010-10630 | 1    | PLUG, SPARK (BPM-7A) | BPM-7A      |                         |       |
| 45  |    | 152601-15130 | 1    | T.C. IGNITION MODULE |             |                         |       |
| 46  |    | 159310-27430 | 1    | BRACKET, IGN. COIL   |             |                         |       |
| 47  |    | 900242-05012 | 2    | SCREW 5*12           | 5*12        |                         |       |
| 50  |    | 177305-40530 | 1    | PAWL ASS'Y, STARTER  |             | Sr/Nr 059560 and before |       |
| 51  |    | 177200-27431 | 1    | STARTER ASSY (BS)    |             | Sr/Nr 059560 and before |       |
| 52  | +  | 900242-05012 | 1    | SCREW 5*12           | 5*12        | Sr/Nr 059560 and before |       |
| 53  | +  | 177214-02830 | 1    | WASHER               | 5.2*16*1.0T | Sr/Nr 059560 and before |       |
| 54  | +  | 177243-04130 | 1    | CATCHER, PAWL        |             | Sr/Nr 059560 and before |       |
| 55  | +  | 900220-04008 | 2    | SCREW 4*8            | 4*8         | Sr/Nr 059560 and before |       |

## 2. Starter, Magneto, Clutch



| KEY | LV | PART NUMBER  | Q'TY | DESCRIPTION        | REMARKS | NOTE1                   | NOTE2 |
|-----|----|--------------|------|--------------------|---------|-------------------------|-------|
| 56  | +  | 177246-03930 | 1    | CLIP, STARTER ROPE |         | Sr/Nr 059560 and before |       |
| 57  | +  | 177215-04130 | 1    | DRUM, STARTER      |         | Sr/Nr 059560 and before |       |
| 58  | +  | 177226-27430 | 1    | ROPE, STARTER      | 3.8*850 | Sr/Nr 059560 and before |       |
| 59  | +  | 177227-05020 | 1    | GUIDE, ROPE        |         | Sr/Nr 059560 and before |       |
| 60  | +  | 177228-11130 | 1    | GRIP, STARTER      |         | Sr/Nr 059560 and before |       |
| 61  | +  | 177216-12330 | 1    | COLLAR             |         | Sr/Nr 059560 and before |       |
| 62  | +  | 177242-06721 | 1    | PLATE, STARTER     |         | Sr/Nr 059560 and before |       |
| 63  | +  | 177220-03930 | 1    | SPRING, REWIND     |         | Sr/Nr 059560 and before |       |
| 64  | +  | 177221-06720 | 1    | PLATE, STARTER     |         | Sr/Nr 059560 and before |       |
| 67  |    | 900242-04025 | 4    | SCREW 4*25         | 4*25    | Sr/Nr 059560 and before |       |
| 68  |    | 177200-55631 | 1    | STARTER ASSY       |         | Sr/Nr 059561 and after  |       |
| 69  | +  | 177236-40630 | 1    | SCREW              |         | Sr/Nr 059561 and after  |       |
| 70  | +  | 177214-41030 | 1    | WASHER             |         | Sr/Nr 059561 and after  |       |

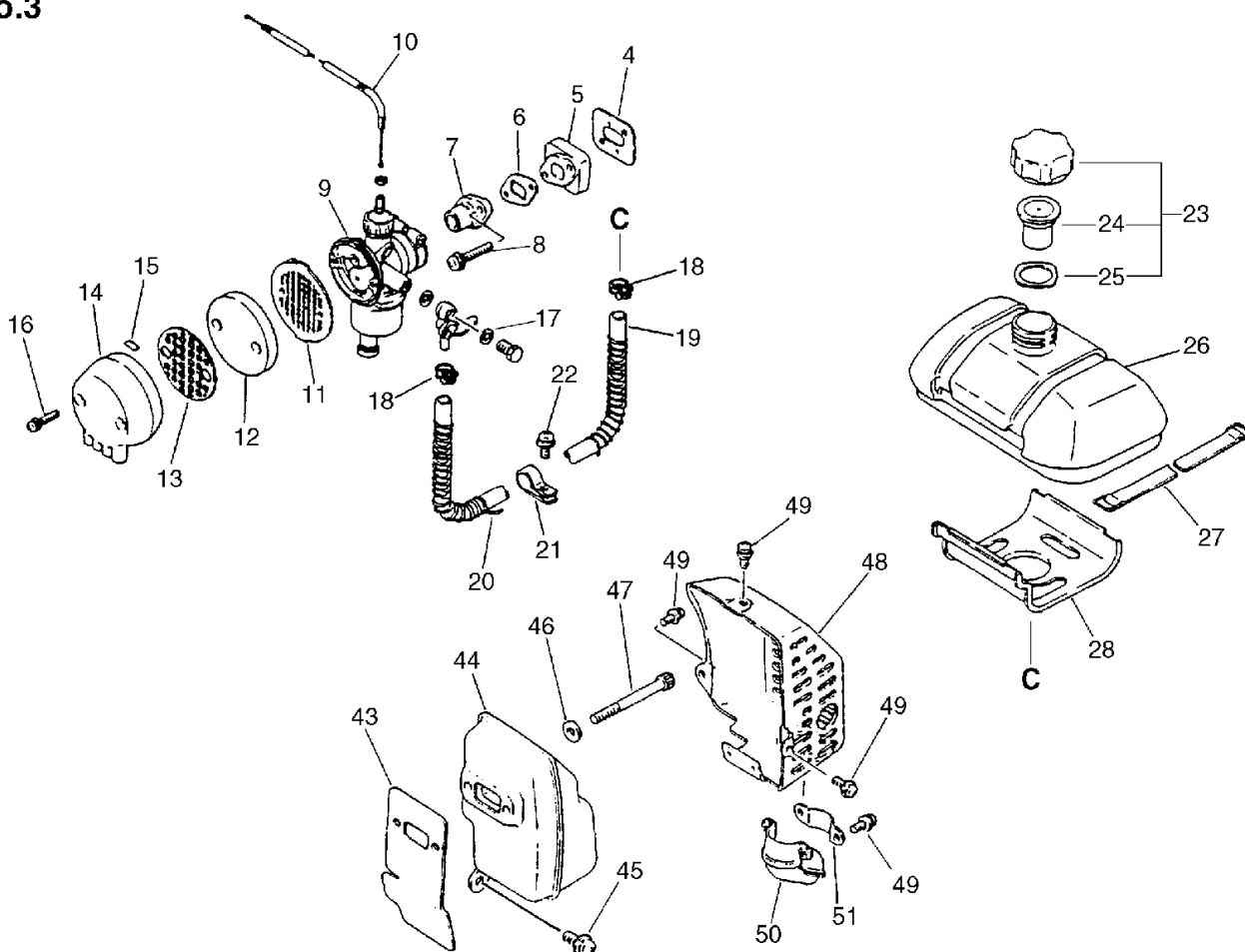
## 2. Starter, Magneto, Clutch



| KEY | LV | PART NUMBER  | Q'TY | DESCRIPTION        | REMARKS | NOTE1                  | NOTE2 |
|-----|----|--------------|------|--------------------|---------|------------------------|-------|
| 71  | +  | 177215-43130 | 1    | DRUM, STARTER      |         | Sr/Nr 059561 and after |       |
| 72  | +  | 177220-40630 | 1    | SPRING, REWIND     |         | Sr/Nr 059561 and after |       |
| 73  | +  | 177226-01110 | 1    | ROPE, STARTER      | 4.0*880 | Sr/Nr 059561 and after |       |
| 74  | +  | 177227-42030 | 1    | GUIDE, ROPE        |         | Sr/Nr 059561 and after |       |
| 75  | +  | 177228-27030 | 1    | GRIP, STARTER      |         | Sr/Nr 059561 and after |       |
| 76  |    | 177202-41030 | 1    | PAWL ASSY, STARTER |         | Sr/Nr 059561 and after |       |
| 77  | +  | 900700-00004 | 1    | E-RING 4           | CE-4    | Sr/Nr 059561 and after |       |
| 78  | +  | 177234-40630 | 1    | SPRING, RETURN     |         | Sr/Nr 059561 and after |       |
| 79  | +  | 177218-40630 | 1    | PAWL, STARTER      | WHITE   | Sr/Nr 059561 and after |       |
| 80  |    | V352-000000  | 1    | COLLAR,4           |         | Sr/Nr 059561 and after |       |
| 81  |    | 900242-04020 | 4    | SCREW 4*20         | 4*20    | Sr/Nr 059561 and after |       |
| 82  |    | 900502-00008 | 1    | NUT 8 (3N)         | 3N8     | Sr/Nr 059561 and after |       |

### 3. Air Cleaner, Muffler, Fuel Tank

No.3

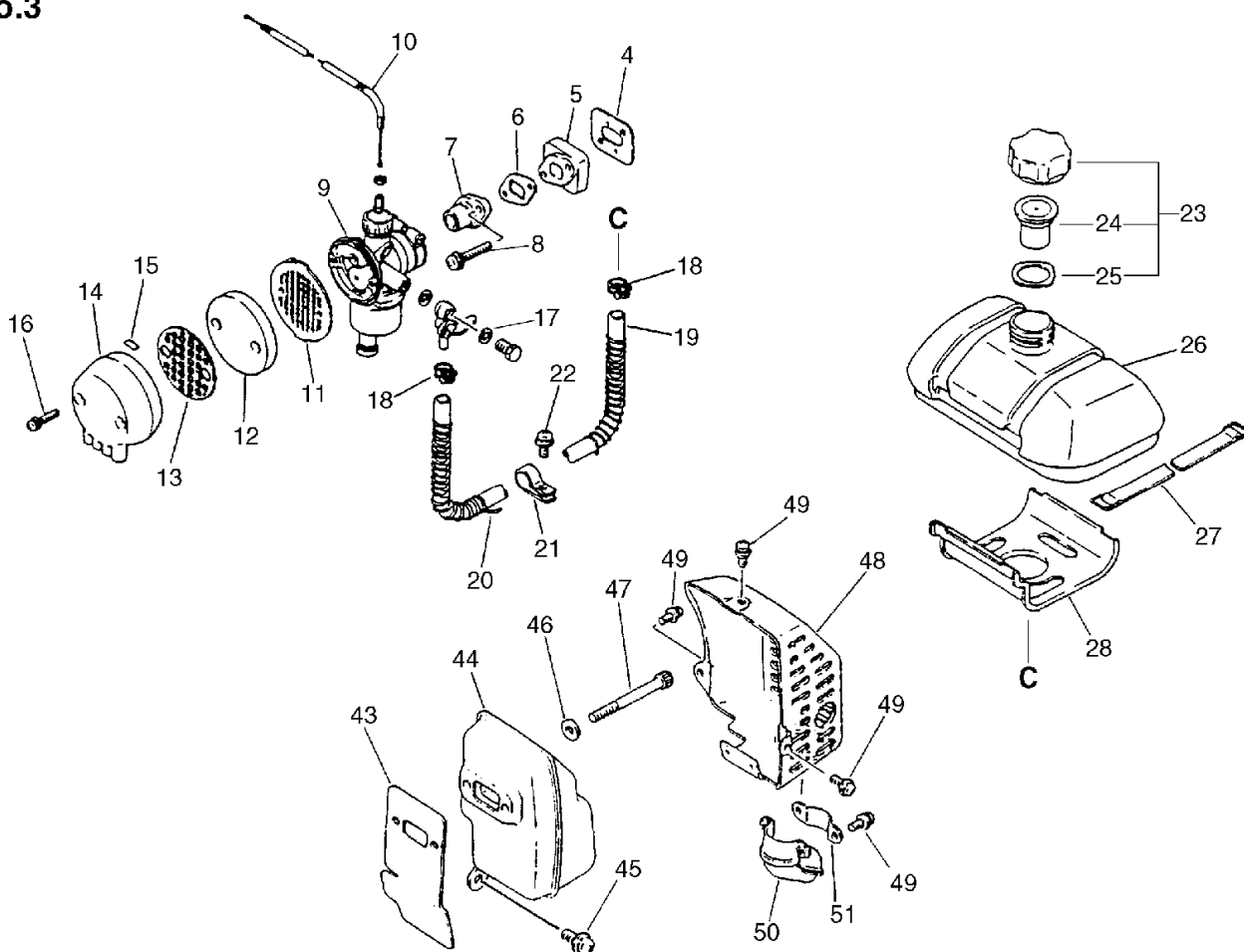


| KEY | LV | PART NUMBER  | Q'TY | DESCRIPTION         | REMARKS   | NOTE1 | NOTE2 |
|-----|----|--------------|------|---------------------|-----------|-------|-------|
| 4   |    | 130010-27531 | 1    | GASKET              |           |       |       |
| 5   |    | 130017-28930 | 1    | INSULATOR           |           |       |       |
| 6   |    | 130010-22430 | 1    | GASKET, INSULATOR   |           |       |       |
| 7   |    | 130510-22431 | 1    | ADAPTER, INTAKE     |           |       |       |
| 8   |    | 900242-05025 | 2    | SCREW 5*25          | 5*25      |       |       |
| 9   |    | 120000-28930 | 1    | CARBURETOR ASSY     |           |       |       |
| 10  |    | 178004-22030 | 1    | WIRE, THROTTLE      |           |       |       |
| 11  |    | 130319-22430 | 1    | SET PLATE           |           |       |       |
| 12  |    | 130310-22430 | 1    | FILTER, AIR         |           |       |       |
| 13  |    | 130311-22430 | 1    | NET                 |           |       |       |
| 14  |    | 130308-27630 | 1    | CASE, AIR CLEANER   |           |       |       |
| 15  |    | 890026-00510 | 1    | LABEL, CHOKE        |           |       |       |
| 16  |    | 900242-04025 | 2    | SCREW 4*25          | 4*25      |       |       |
| 17  |    | 132200-00512 | 1    | VALVE ASS'Y, FUEL   |           |       |       |
| 18  |    | 132013-00360 | 2    | CLIP, PIPE          | 11MM      |       |       |
| 19  |    | 132010-22030 | 1    | PIPE, FUEL          | 7*11*420L |       |       |
| 20  |    | 132015-22030 | 1    | COIL, FUEL PIPE     |           |       |       |
| 21  |    | 132112-22031 | 1    | CLIP, FUEL PIPE     |           |       |       |
| 22  |    | 900242-05012 | 1    | SCREW 5*12          | 5*12      |       |       |
| 23  |    | 131004-51630 | 1    | CAP ASSY, FUEL TANK |           |       |       |
| 24  | +  | 131003-21230 | 1    | CUP SET, VENT       |           |       |       |
| 25  | +  | 131016-21060 | 1    | GASKET, FUEL CAP    |           |       |       |
| 26  |    | 131010-22030 | 1    | TANK, FUEL          |           |       |       |
| 27  |    | 131917-21530 | 2    | BAND, FUEL TANK     |           |       |       |
| 28  |    | 131920-22030 | 1    | CUSHION             |           |       |       |
| 43  |    | 145510-27531 | 1    | GASKET, MUFFLER     |           |       |       |



### 3. Air Cleaner, Muffler, Fuel Tank

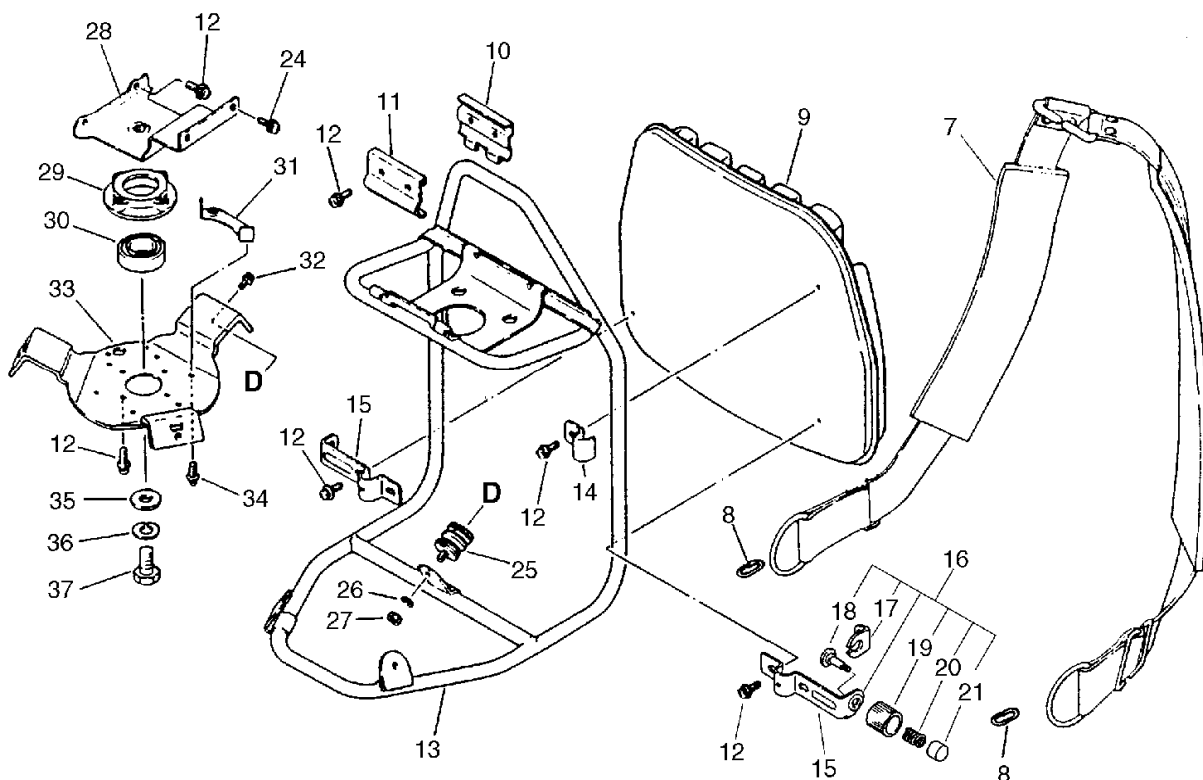
No.3



| KEY | LV | PART NUMBER  | Q'TY | DESCRIPTION      | REMARKS    | NOTE1 | NOTE2 |
|-----|----|--------------|------|------------------|------------|-------|-------|
| 44  |    | 145610-28930 | 1    | MUFLLER (BL)     |            |       |       |
| 45  |    | 900242-05012 | 1    | SCREW 5*12       | 5*12       |       |       |
| 46  |    | 900603-00005 | 2    | WASHER 5         | 5.5*12*0.8 |       |       |
| 47  |    | 900105-05055 | 2    | BOLT, H.S. 5*55  | 5*55       |       |       |
| 48  |    | 145906-28930 | 1    | COVER, MUFLLER   |            |       |       |
| 49  |    | 900242-04008 | 4    | SCREW            | 4*8        |       |       |
| 50  |    | 145606-27630 | 1    | LID, MUFLLER     |            |       |       |
| 51  |    | 145665-21530 | 1    | BRACKET, EXHAUST |            |       |       |

# 4. Harness

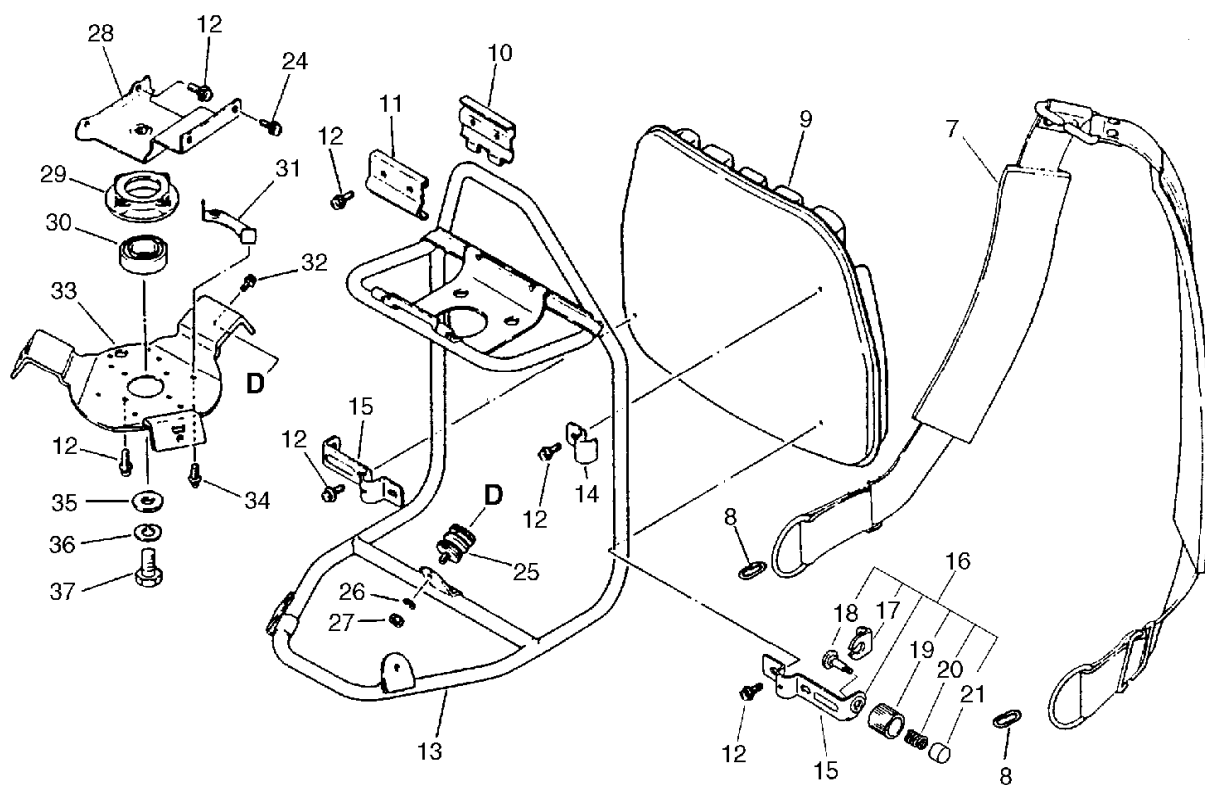
## No.4



| KEY | LV | PART NUMBER  | Q'TY | DESCRIPTION          | REMARKS  | NOTE1               | NOTE2 |
|-----|----|--------------|------|----------------------|----------|---------------------|-------|
| 7   |    | 300300-50130 | 1    | HARNESS, BACKPACK    |          |                     |       |
| 8   |    | 300319-01611 | 2    | RING, HARNESS        |          |                     |       |
| 9   |    | 300105-27630 | 1    | CUSHION              |          |                     |       |
| 10  |    | 300610-22030 | 1    | PLATE, KNAPSACK BAND |          |                     |       |
| 11  |    | 300616-22030 | 1    | PLATE, KNAPSACK BAND |          |                     |       |
| 12  |    | 900242-05012 | 14   | SCREW 5*12           | 5*12     |                     |       |
| 13  |    | 300005-22031 | 1    | FRAME, KNAPSACK (SL) |          | OLD                 |       |
| 13  |    | 300005-22032 | 1    | FRAME, BACKPACK      |          | NEW                 |       |
| 14  |    | 300220-20430 | 2    | BRACKET, CUSHION     |          |                     |       |
| 15  |    | 300226-27631 | 2    | PLATE (L)            |          |                     |       |
| 16  |    | 300200-27630 | 1    | BRACKET ASSY         |          |                     |       |
| 17  | +  | 300716-27630 | 1    | PLATE                |          |                     |       |
| 18  | +  | 300715-27630 | 1    | SHAFT                |          |                     |       |
| 19  | +  | 300717-27630 | 1    | GUARD                |          |                     |       |
| 20  | +  | 300713-27630 | 1    | SPRING               |          |                     |       |
| 21  | +  | 300711-27630 | 1    | BUTTON               |          |                     |       |
| 24  |    | 900242-04012 | 2    | SCREW 4*12           | 4*12     |                     |       |
| 25  |    | 100907-14730 | 3    | CUSHION              |          |                     |       |
| 26  |    | 900605-00005 | 3    | WASHER, SPRING 5     | 5        |                     |       |
| 27  |    | 900500-00005 | 3    | NUT 5                | 5        |                     |       |
| 28  |    | 104908-28930 | 1    | BRACKET              |          |                     |       |
| 29  |    | 699226-05430 | 1    | HOLDER, BEARING      |          |                     |       |
| 30  |    | 900814-06202 | 1    | BEARING, BALL 6202   | 6202ZZ   | Sus. by 94064-06202 |       |
| 30  |    | 94064-06202  | 1    | BEARING BALL         | BB6202ZZ |                     |       |
| 31  |    | 104931-27630 | 1    | STOPPER              |          |                     |       |

# 4. Harness

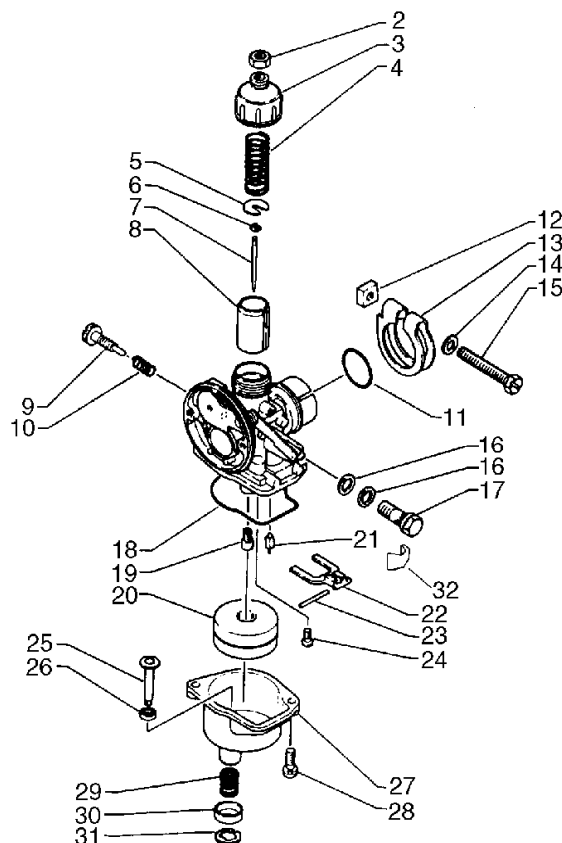
No.4



| KEY | LV | PART NUMBER  | Q'TY | DESCRIPTION       | REMARKS | NOTE1 | NOTE2 |
|-----|----|--------------|------|-------------------|---------|-------|-------|
| 32  |    | 900242-05010 | 3    | SCREW 5*10        | 5*10    |       |       |
| 33  |    | 104925-27630 | 1    | RETAINER          |         |       |       |
| 34  |    | 900242-04010 | 2    | SCREW 4*10        | 4*10    |       |       |
| 35  |    | 900600-00010 | 1    | WASHER 10         | 10      |       |       |
| 36  |    | 900605-00010 | 1    | WASHER, SPRING 10 | 10      |       |       |
| 37  |    | 900100-10020 | 1    | BOLT 10*20        | 10*20   |       |       |

## 5. Carburetor

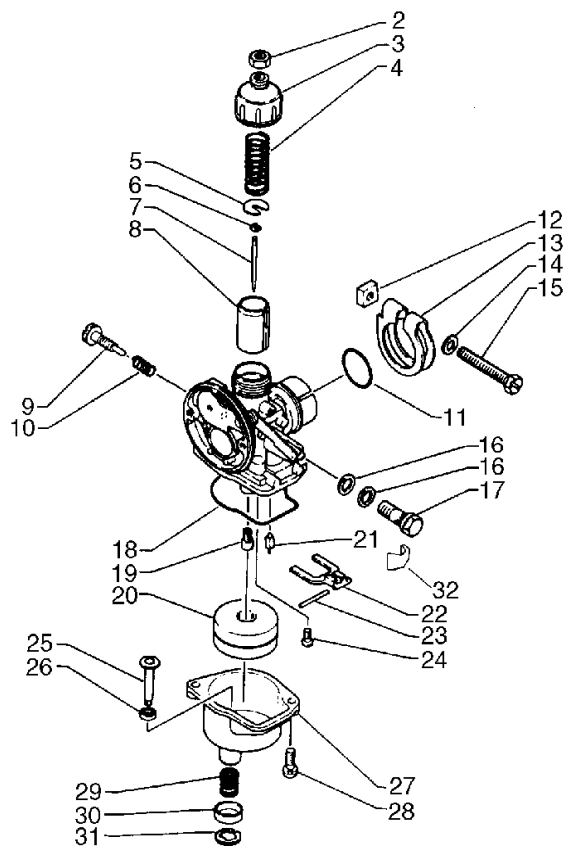
No.5



| KEY | LV | PART NUMBER  | Q'TY | DESCRIPTION        | REMARKS | NOTE1 | NOTE2 |
|-----|----|--------------|------|--------------------|---------|-------|-------|
|     |    | 120000-28930 | 1    | CARBURETOR ASSY    |         |       |       |
| 2   | +  | 120111-04730 | 1    | NUT                |         |       |       |
| 3   | +  | 120113-10211 | 1    | COVER, TOP         |         |       |       |
| 4   | +  | 120114-01820 | 1    | SPRING, THROTTLE   |         |       |       |
| 5   | +  | 120115-08020 | 1    | SEAT, SPRING       |         |       |       |
| 6   | +  | 120116-10211 | 1    | E-RING             |         |       |       |
| 7   | +  | 120103-28930 | 1    | NEEDLE, JET W/CLIP |         |       |       |
| 8   | +  | 120118-27430 | 1    | VALVE, THROTTLE    |         |       |       |
| 9   | +  | 120159-04731 | 1    | SCREW, IDLE SPEED  |         |       |       |
| 10  | +  | 120160-01321 | 1    | SPRING             |         |       |       |
| 11  | +  | 120149-05730 | 1    | GASKET             |         |       |       |
| 12  | +  | 120151-10210 | 1    | NUT, OUTLET CLIP   |         |       |       |
| 13  | +  | 120146-10210 | 1    | CLIP, OUTLET       |         |       |       |
| 14  | +  | 900600-00005 | 1    | WASHER 5           | 5       |       |       |
| 15  | +  | 120147-08020 | 1    | BOLT               |         |       |       |
| 16  | +  | 120130-10210 | 2    | GASKET             |         |       |       |
| 17  | +  | 120131-00120 | 1    | BOLT, BANJO        |         |       |       |
| 18  | +  | 120123-10210 | 1    | GASKET, F. CHAMBER |         |       |       |
| 19  | +  | 120122-08020 | 1    | JET, MAIN          |         |       |       |
| 20  | +  | 120133-05730 | 1    | FLOAT              |         |       |       |
| 21  | +  | 120120-27431 | 1    | VALVE, NEEDLE      |         |       |       |
| 22  | +  | 120121-27430 | 1    | ARM, FLOAT         |         |       |       |
| 23  | +  | 120132-10211 | 1    | PIN, FLOAT ARM     |         |       |       |
| 24  | +  | 900220-04006 | 1    | SCREW 4*6          | 4*6     |       |       |
| 25  | +  | 120177-03311 | 1    | SHAFT, LINK        |         |       |       |
| 26  | +  | 120178-03311 | 1    | O-RING             |         |       |       |

# 5. Carburetor

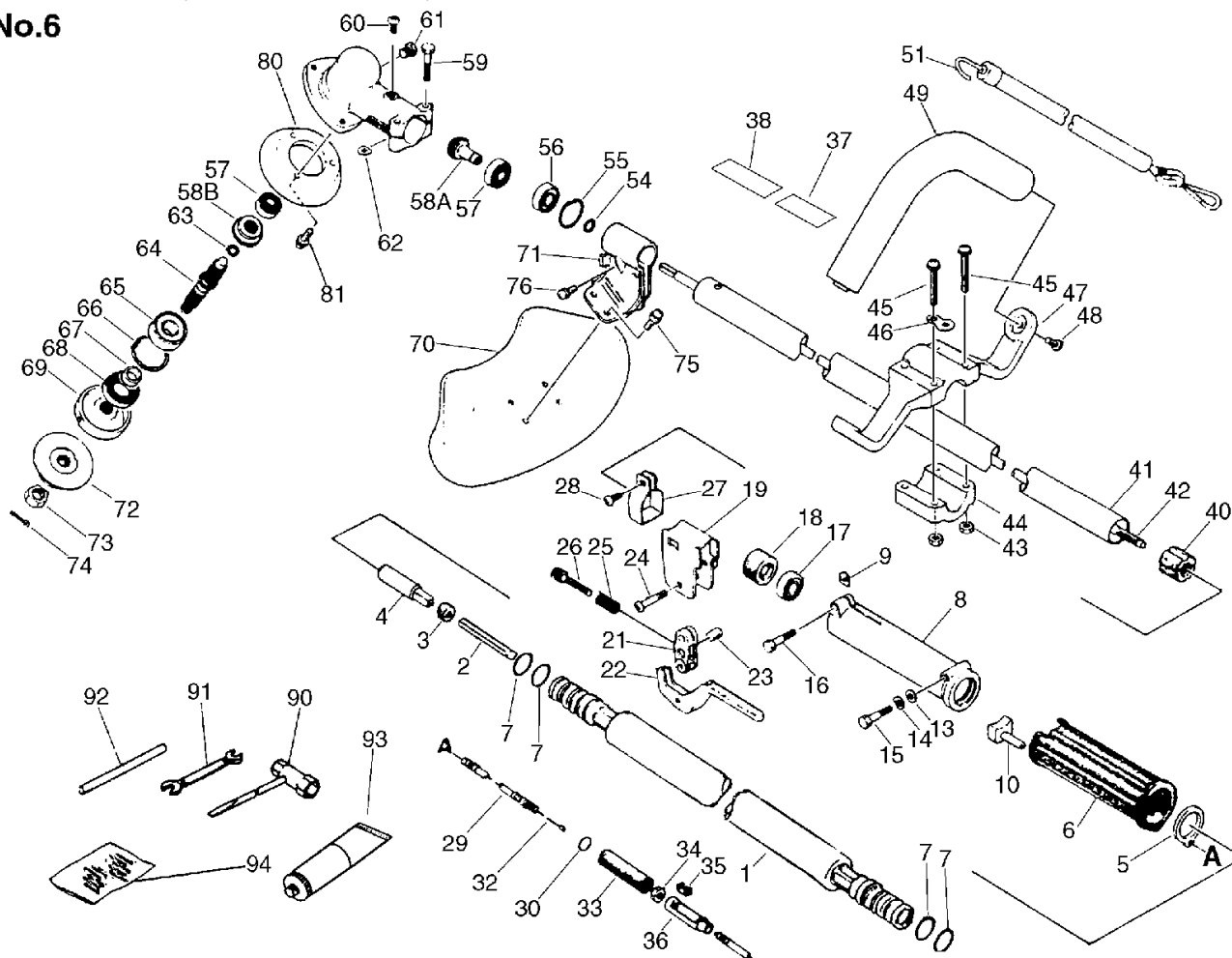
No.5



| KEY | LV | PART NUMBER  | Q'TY | DESCRIPTION    | REMARKS | NOTE1 | NOTE2 |
|-----|----|--------------|------|----------------|---------|-------|-------|
| 27  | +  | 120124-03311 | 1    | CHAMBER, FLOAT |         |       |       |
| 28  | +  | 900242-04012 | 2    | SCREW 4*12     | 4*12    |       |       |
| 29  | +  | 120179-28930 | 1    | SPRING, COIL   |         |       |       |
| 30  | +  | 120180-03311 | 1    | COLLAR         |         |       |       |
| 31  | +  | 120181-03312 | 1    | CLIP           |         |       |       |
| 32  | +  | 120182-22430 | 1    | CLIP           |         |       |       |

# 6. Handle, Gear Case, Shield. Tools

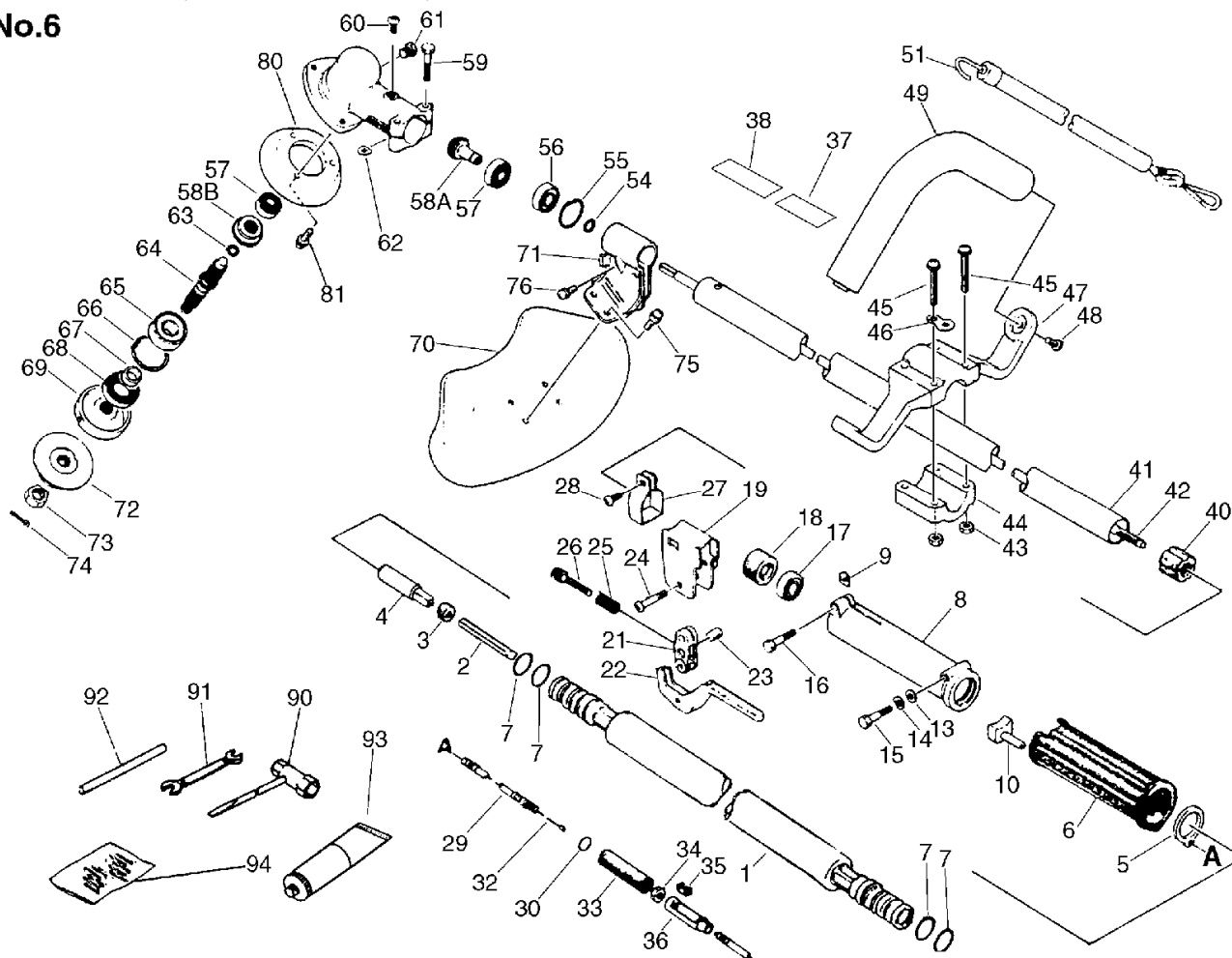
No.6



| KEY | LV | PART NUMBER  | Q'TY | DESCRIPTION           | REMARKS | NOTE1                | NOTE2 |
|-----|----|--------------|------|-----------------------|---------|----------------------|-------|
| 1   |    | 610209-27630 | 1    | COVER, FLEXIBLE       |         |                      |       |
| 2   |    | 610013-27630 | 1    | SHAFT, FLEXIBLE(HARD) |         |                      |       |
| 3   |    | 610020-07131 | 1    | ADAPTER, FLX. SHAFT   |         |                      |       |
| 4   |    | 610012-07132 | 1    | CONNECTOR, D. SHAFT   |         |                      |       |
| 5   |    | 178112-07130 | 1    | GUIDE, THROTTLE WIRE  |         |                      |       |
| 6   |    | 610249-07131 | 1    | GRIP                  |         |                      |       |
| 7   |    | 900720-00018 | 4    | O-RING 18             | P-18    |                      |       |
| 8   |    | 610248-07134 | 1    | CONNECTOR             |         |                      |       |
| 9   |    | 610239-04130 | 1    | WASHER, SHIM          |         |                      |       |
| 10  |    | 178048-07130 | 1    | HOLDER, THR. WIRE     |         |                      |       |
| 13  |    | 900600-00005 | 1    | WASHER 5              | 5       |                      |       |
| 14  |    | 900605-00005 | 1    | WASHER, SPRING 5      | 5       |                      |       |
| 15  |    | 610257-07130 | 1    | BOLT                  |         | Sus. by 610257-56330 |       |
| 15  |    | 610257-56330 | 1    | BOLT                  | 5*30    |                      |       |
| 16  |    | 900142-05025 | 1    | BOLT 5*25 (W/W,SW)    | 5*25    |                      |       |
| 17  |    | 900814-00627 | 1    | BEARING, BALL 627     | 627ZZ   |                      |       |
| 18  |    | 610111-07130 | 1    | HOUSING, CLUTCH       |         |                      |       |
| 19  |    | 178003-07130 | 1    | BRACKET, THROTTLE     |         |                      |       |
| 21  |    | 178017-07130 | 1    | ARM, THROTTLE         |         |                      |       |
| 22  |    | 178010-07131 | 1    | CONTROL, THROTTLE     |         |                      |       |
| 23  |    | 178066-07130 | 1    | SCREW, ADJUSTMENT     |         |                      |       |
| 24  |    | 178110-07130 | 1    | SCREW                 |         |                      |       |
| 25  |    | 178043-07130 | 1    | SPRING, THR. RETURN   |         |                      |       |
| 26  |    | 178028-07130 | 1    | BOLT                  |         |                      |       |
| 27  |    | 178123-07130 | 1    | BAND                  |         |                      |       |

# 6. Handle, Gear Case, Shield. Tools

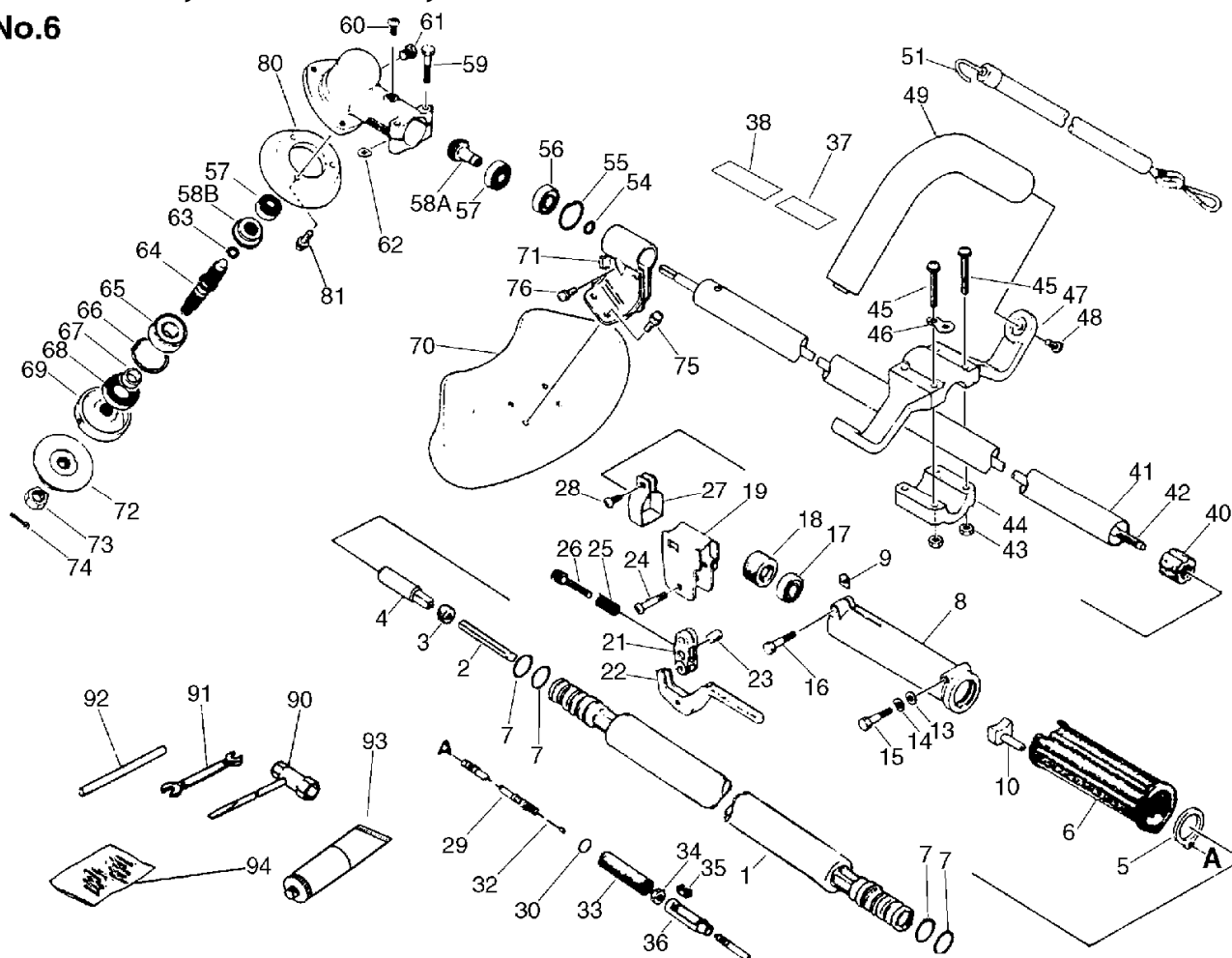
No.6



| KEY | LV | PART NUMBER  | Q'TY | DESCRIPTION          | REMARKS | NOTE1                | NOTE2 |
|-----|----|--------------|------|----------------------|---------|----------------------|-------|
| 28  |    | 900220-05014 | 1    | SCREW 5*14           | 5*14    |                      |       |
| 29  |    | 178016-07130 | 1    | TUBE                 | 8*9*140 |                      |       |
| 30  |    | 178133-22330 | 1    | RING                 |         |                      |       |
| 32  |    | 178002-28930 | 1    | WIRE, THROTTLE       |         |                      |       |
| 33  |    | 178128-05630 | 1    | SLEEVE               |         |                      |       |
| 34  |    | 178021-05530 | 1    | LOCKNUT              |         |                      |       |
| 35  |    | 178049-06630 | 1    | CONNECTOR            |         |                      |       |
| 36  |    | 178114-05630 | 1    | CONNECTOR, THR. WIRE |         |                      |       |
| 37  |    | 890075-06630 | 1    | LABEL, CAUTION       |         |                      |       |
| 38  |    | 890019-07130 | 1    | LABEL, CAUTION       |         |                      |       |
| 41  |    | 610206-07131 | 1    | HOUSING ASSY, D.SFT  |         |                      |       |
| 40  | +  | 610105-08930 | 4    | COLLAR               |         |                      |       |
| 42  |    | 610011-07131 | 1    | SHAFT, DRIVE 7       |         |                      |       |
|     |    | 351201-07132 | 1    | HANDLE ASSY, LOOP    | 25~J    | Sus. by 351201-07133 |       |
|     |    | 351201-07133 | 1    | HANDLE ASSY, LOOP    |         |                      |       |
| 43  | +  | 900500-00005 | 4    | NUT 5                | 5       |                      |       |
| 44  | +  | 351225-07130 | 1    | BRACKET, HANDLE (25) | 25      |                      |       |
| 45  | +  | 900242-05035 | 4    | SCREW 5*35           | 5*35    |                      |       |
| 46  | +  | 300515-07130 | 1    | PLATE, ROPE          |         |                      |       |
| 47  | +  | 351232-07131 | 1    | BRACKET, HANDLE 25   | 25      |                      |       |
| 48  | +  | 900242-05014 | 2    | SCREW 5*14           | 5*14    |                      |       |
| 49  | +  | 351205-07130 | 1    | HANDLE               |         | Sus. by 351205-07131 |       |
| 49  | +  | 351205-07131 | 1    | HANDLE               |         |                      |       |
| 51  |    | 300500-07131 | 1    | ROPE, ELASTIC        |         |                      |       |

# 6. Handle, Gear Case, Shield. Tools

No.6

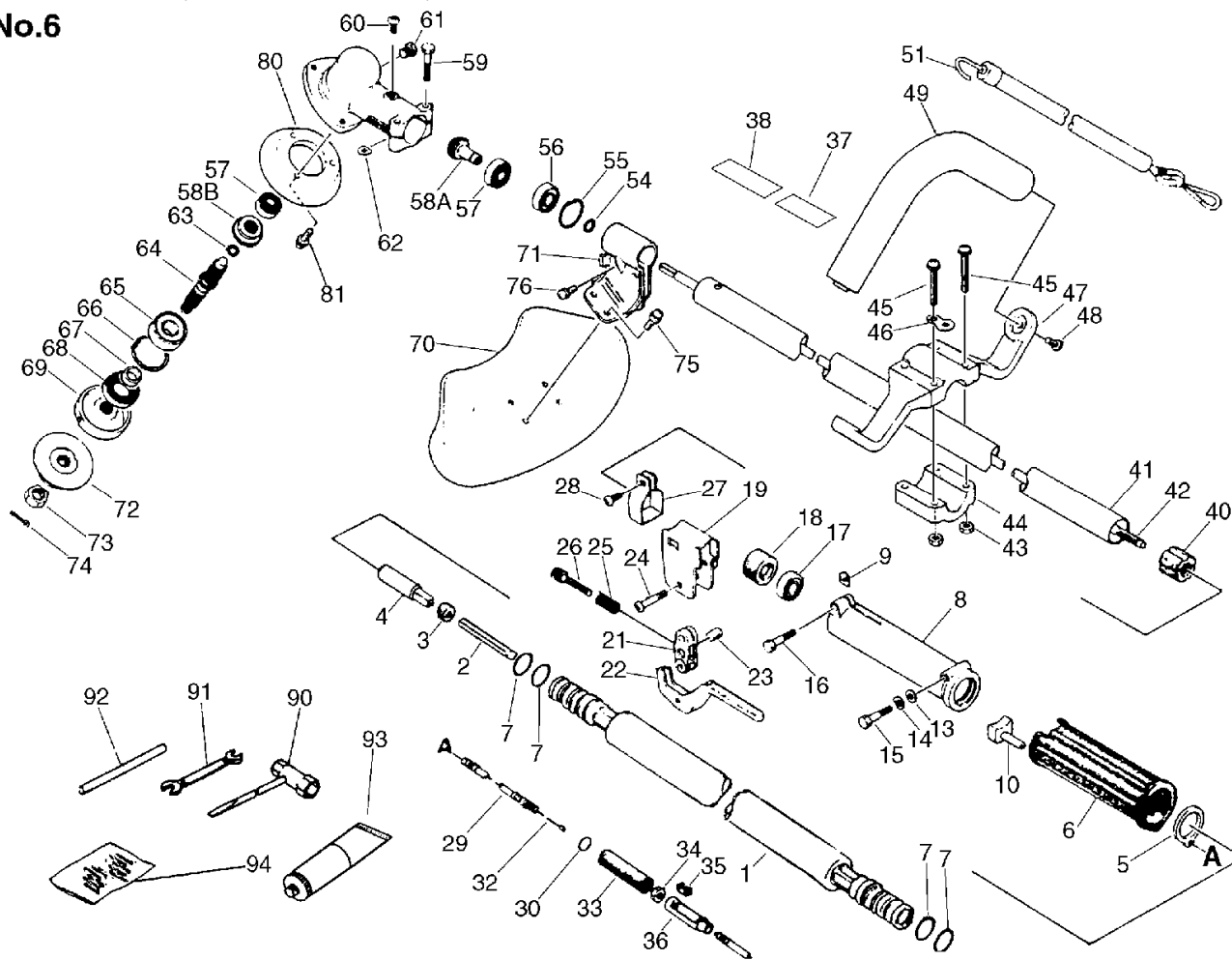


| KEY | LV | PART NUMBER  | Q'TY | DESCRIPTION        | REMARKS | NOTE1                | NOTE2 |
|-----|----|--------------|------|--------------------|---------|----------------------|-------|
|     |    | 610402-07130 | 1    | HOUSING ASSY, GEAR |         | Sus. by 610402-07132 |       |
|     |    | 610402-07131 | 1    | CASE ASY, GEAR     |         | Sus. by 610402-07132 |       |
|     |    | 610402-07132 | 1    | CASE ASY, GEAR     |         |                      |       |
| 54  | +  | 900706-00009 | 1    | CIRCLIP 9          | WR-9    |                      |       |
| 55  | +  | 900702-00025 | 1    | CIRCLIP 25         | CR-25   |                      |       |
| 56  | +  | 900803-00609 | 1    | BEARING, BALL 609  | 609Z    |                      |       |
| 57  | +  | 900800-00609 | 2    | BEARING, BALL 609  | 609     |                      |       |
| 58  | +  | 610301-08930 | 1    | GEAR SET           |         |                      |       |
| 59  | +  | 900142-05028 | 2    | BOLT 5*28 (W/W,SW) | 5*28    |                      |       |
| 60  | +  | 900242-05010 | 1    | SCREW 5*10         | 5*10    |                      |       |
| 61  | +  | 900100-08008 | 1    | BOLT 8*8           | 8*8     | Sus. by V205-000360  |       |
| 61  | +  | 610434-50031 | 1    | BOLT 8* 8          | M8*8    | Sus. by V205-000360  |       |
| 61  | +  | V205-000360  | 1    | BOLT,8             | M8*8    |                      |       |
| 62  | +  | 610239-04130 | 1    | WASHER, SHIM       |         |                      |       |
| 63  | +  | 900706-00012 | 1    | CIRCLIP 12         | WR-12   |                      |       |
| 64  | +  | 610360-07130 | 1    | SHAFT, P.T.O.      |         |                      |       |
| 65  | +  | 900810-06201 | 1    | BEARING, BALL 6201 | 6201    |                      |       |
| 66  | +  | 900702-00032 | 1    | CIRCLIP 32         | CR-32   |                      |       |
| 67  | +  | 610315-07130 | 1    | SPACER             |         |                      |       |
| 68  | +  | 610413-07130 | 1    | OILSEAL            |         |                      |       |
| 69  | +  | 610313-07130 | 1    | PLATE, ADAPTER (U) | PD 25.4 | Sus. by 610313-07132 |       |



## 6. Handle, Gear Case, Shield. Tools

No.6



| KEY | LV | PART NUMBER  | Q'TY | DESCRIPTION          | REMARKS    | NOTE1                | NOTE2 |
|-----|----|--------------|------|----------------------|------------|----------------------|-------|
| 69  | +  | 610313-07131 | 1    | PLATE, ADAPTER (U)   | PD 25.4    | Sus. by 610313-07132 |       |
| 69  | +  | 610313-07132 | 1    | PLATE, ADAPTER (U)   |            | TAIWAN               |       |
| 72  | +  | 610314-07130 | 1    | PLATE, ADAPTER (L)   |            |                      |       |
| 73  | +  | 900511-00010 | 1    | NUT 10 (L-H)         | 10*P1.25   |                      |       |
| 74  | +  | 900300-20022 | 1    | PIN, SPLIT 2*22      | 2*22       |                      |       |
| 70  |    | 699010-21231 | 1    | SHIELD (BS)          |            |                      |       |
| 71  |    | 699011-21230 | 1    | BRACKET, SHIELD (BS) |            |                      |       |
| 75  |    | 900242-05010 | 4    | SCREW 5*10           | 5*10       |                      |       |
| 76  |    | 900242-05014 | 3    | SCREW 5*14           | 5*14       |                      |       |
| 80  |    | 610443-21232 | 1    | PLATE, GUARD         |            | Sus. by C536-000030  |       |
| 80  |    | C536-000030  | 1    | COVER, GEAR CASE     |            | TAIWAN               |       |
| 81  |    | 900242-05020 | 3    | SCREW 5*20           | 5*20       |                      |       |
| 90  |    | 895410-08030 | 1    | WRENCH, W/S. DRIVER  |            | Sus. by X602-000020  |       |
| 90  |    | X602-000020  | 1    | TOOL, WRENCH         | 17*19 L200 |                      |       |
| 91  |    | 895112-00330 | 1    | SPANNER 8*10         |            |                      |       |
| 92  |    | 897518-01131 | 1    | LOCKING TOOL         |            |                      |       |
| 93  |    | 899513-42930 | 1    | GREASE, TUBE (50G)   |            |                      |       |
| 94  |    | 898502-01130 | 1    | PIN 2*22 (W/POUCH)   |            |                      |       |

**Index**

| <b>Patrs Number</b> | <b>Key No.</b> | <b>Patrs Number</b> | <b>Key No.</b> | <b>Patrs Number</b> | <b>Key No.</b> |
|---------------------|----------------|---------------------|----------------|---------------------|----------------|
| 100000-27430        | 1 - 13         | 120177-03311        | 5 - 25         | 175046-22332        | 2 - 25         |
| 100000-27431        | 1 - 13         | 120178-03311        | 5 - 26         | 175048-05530        | 2 - 28         |
| 100011-16131        | 1 - 12         | 120179-28930        | 5 - 29         | 175049-03920        | 2 - 31         |
| 100012-16131        | 1 - 16         | 120180-03311        | 5 - 30         | 175313-20430        | 2 - 18         |
| 100013-27430        | 1 - 14         | 120181-03312        | 5 - 31         | 177200-27431        | 2 - 51         |
| 100015-03930        | 1 - 15         | 120182-22430        | 5 - 32         | 177200-55631        | 2 - 68         |
| 100015-03931        | 1 - 15         | 130010-22430        | 3 - 6          | 177202-41030        | 2 - 76         |
| 100100-21230        | 1 - 34         | 130010-27531        | 3 - 4          | 177214-02830        | 2 - 53         |
| 100142-00310        | 1 - 33         | 130017-28930        | 3 - 5          | 177214-41030        | 2 - 70         |
| 100200-27430        | 1 - 29         | 130308-27630        | 3 - 14         | 177215-04130        | 2 - 57         |
| 100204-27430        | 1 - 21         | 130310-22430        | 3 - 12         | 177215-43130        | 2 - 71         |
| 100212-05730        | 1 - 27         | 130311-22430        | 3 - 13         | 177216-12330        | 2 - 61         |
| 100213-05530        | 1 - 37         | 130319-22430        | 3 - 11         | 177218-40630        | 2 - 79         |
| 100215-02830        | 1 - 30         | 130510-22431        | 3 - 7          | 177220-03930        | 2 - 63         |
| 100242-21230        | 1 - 31         | 131003-21230        | 3 - 24         | 177220-40630        | 2 - 72         |
| 100907-14730        | 4 - 25         | 131004-51630        | 3 - 23         | 177221-06720        | 2 - 64         |
| 101010-21230        | 1 - 11         | 131010-22030        | 3 - 26         | 177226-01110        | 2 - 73         |
| 101011-27530        | 1 - 9          | 131016-21060        | 3 - 25         | 177226-27430        | 2 - 58         |
| 101511-27430        | 1 - 20         | 131917-21530        | 3 - 27         | 177227-05020        | 2 - 59         |
| 101514-27530        | 1 - 8          | 131920-22030        | 3 - 28         | 177227-42030        | 2 - 74         |
| 101534-21230        | 1 - 25         | 132010-22030        | 3 - 19         | 177228-11130        | 2 - 60         |
| 101583-21230        | 1 - 24         | 132013-00360        | 3 - 18         | 177228-27030        | 2 - 75         |
| 104908-28930        | 4 - 28         | 132015-22030        | 3 - 20         | 177234-40630        | 2 - 78         |
| 104925-27630        | 4 - 33         | 132112-22031        | 3 - 21         | 177236-40630        | 2 - 69         |
| 104931-27630        | 4 - 31         | 132200-00512        | 3 - 17         | 177242-06721        | 2 - 62         |
| 120000-28930        | 3 - 9          | 145510-27531        | 3 - 43         | 177243-04130        | 2 - 54         |
| 120000-28930        | 5 -            | 145606-27630        | 3 - 50         | 177246-03930        | 2 - 56         |
| 120103-28930        | 5 - 7          | 145610-28930        | 3 - 44         | 177305-40530        | 2 - 50         |
| 120111-04730        | 5 - 2          | 145665-21530        | 3 - 51         | 178002-28930        | 6 - 32         |
| 120113-10211        | 5 - 3          | 145906-28930        | 3 - 48         | 178003-07130        | 6 - 19         |
| 120114-01820        | 5 - 4          | 150117-16430        | 2 - 35         | 178004-22030        | 3 - 10         |
| 120115-08020        | 5 - 5          | 152111-28930        | 2 - 38         | 178010-07131        | 6 - 22         |
| 120116-10211        | 5 - 6          | 152112-05730        | 2 - 37         | 178016-07130        | 6 - 29         |
| 120118-27430        | 5 - 8          | 152601-15130        | 2 - 45         | 178017-07130        | 6 - 21         |
| 120120-27431        | 5 - 21         | 152626-27530        | 2 - 36         | 178021-05530        | 6 - 34         |
| 120121-27430        | 5 - 22         | 152801-27430        | 2 - 32         | 178028-07130        | 6 - 26         |
| 120122-08020        | 5 - 19         | 156114-04920        | 2 - 8          | 178043-07130        | 6 - 25         |
| 120123-10210        | 5 - 18         | 159010-10630        | 2 - 41         | 178048-07130        | 6 - 10         |
| 120124-03311        | 5 - 27         | 159011-03432        | 2 - 40         | 178049-06630        | 6 - 35         |
| 120130-10210        | 5 - 16         | 159012-03433        | 2 - 39         | 178066-07130        | 6 - 23         |
| 120131-00120        | 5 - 17         | 159116-21231        | 2 - 34         | 178110-07130        | 6 - 24         |
| 120132-10211        | 5 - 23         | 159310-27430        | 2 - 46         | 178112-07130        | 6 - 5          |
| 120133-05730        | 5 - 20         | 162000-22030        | 2 - 3          | 178114-05630        | 6 - 36         |
| 120146-10210        | 5 - 13         | 163810-27630        | 2 - 7          | 178123-07130        | 6 - 27         |
| 120147-08020        | 5 - 15         | 163910-22330        | 2 - 6          | 178128-05630        | 6 - 33         |
| 120149-05730        | 5 - 11         | 166101-07130        | 2 - 5          | 178133-22330        | 6 - 30         |
| 120151-10210        | 5 - 12         | 175005-22032        | 2 - 22         | 300005-22031        | 4 - 13         |
| 120159-04731        | 5 - 9          | 175009-05733        | 2 - 27         | 300005-22032        | 4 - 13         |
| 120160-01321        | 5 - 10         | 175018-05731        | 2 - 26         | 300105-27630        | 4 - 9          |

**Index**

| <b>Patrs Number</b> | <b>Key No.</b> | <b>Patrs Number</b> | <b>Key No.</b> | <b>Patrs Number</b> | <b>Key No.</b> |
|---------------------|----------------|---------------------|----------------|---------------------|----------------|
| 300200-27630        | 4 - 16         | 610434-50031        | 6 - 61         | 900242-05020        | 6 - 81         |
| 300220-20430        | 4 - 14         | 610443-21232        | 6 - 80         | 900242-05025        | 1 - 23         |
| 300226-27631        | 4 - 15         | 699010-21231        | 6 - 70         | 900242-05025        | 2 - 33         |
| 300300-50130        | 4 - 7          | 699011-21230        | 6 - 71         | 900242-05025        | 3 - 8          |
| 300319-01611        | 4 - 8          | 699226-05430        | 4 - 29         | 900242-05030        | 1 - 36         |
| 300500-07131        | 6 - 51         | 880517-28230        | 1 - 19         | 900242-05035        | 6 - 45         |
| 300515-07130        | 6 - 46         | 880517-40030        | 1 - 18         | 900300-20022        | 6 - 74         |
| 300610-22030        | 4 - 10         | 890019-07130        | 6 - 38         | 900500-00005        | 4 - 27         |
| 300616-22030        | 4 - 11         | 890026-00510        | 3 - 15         | 900500-00005        | 6 - 43         |
| 300711-27630        | 4 - 21         | 890034-28930        | 1 - 40         | 900500-00008        | 2 - 29         |
| 300713-27630        | 4 - 20         | 890053-56330        | 2 - 4          | 900502-00008        | 2 - 82         |
| 300715-27630        | 4 - 18         | 890075-06630        | 6 - 37         | 900511-00010        | 6 - 73         |
| 300716-27630        | 4 - 17         | 895112-00330        | 6 - 91         | 900600-00004        | 1 - 26         |
| 300717-27630        | 4 - 19         | 895410-08030        | 6 - 90         | 900600-00005        | 5 - 14         |
| 351201-07132        | 6 -            | 897518-01131        | 6 - 92         | 900600-00005        | 6 - 13         |
| 351201-07133        | 6 -            | 898502-01130        | 6 - 94         | 900600-00010        | 4 - 35         |
| 351205-07130        | 6 - 49         | 899513-42930        | 6 - 93         | 900603-00005        | 3 - 46         |
| 351205-07131        | 6 - 49         | 900100-06008        | 2 - 13         | 900605-00005        | 4 - 26         |
| 351225-07130        | 6 - 44         | 900100-08008        | 6 - 61         | 900605-00005        | 6 - 14         |
| 351232-07131        | 6 - 47         | 900100-10020        | 4 - 37         | 900605-00008        | 2 - 30         |
| 610011-07131        | 6 - 42         | 900105-05055        | 3 - 47         | 900605-00010        | 4 - 36         |
| 610012-07132        | 6 - 4          | 900142-05025        | 6 - 16         | 900700-00004        | 2 - 77         |
| 610013-27630        | 6 - 2          | 900142-05028        | 6 - 59         | 900701-00012        | 2 - 19         |
| 610020-07131        | 6 - 3          | 900162-05020        | 1 - 10         | 900702-00025        | 6 - 55         |
| 610105-08930        | 6 - 40         | 900220-04006        | 5 - 24         | 900702-00028        | 2 - 21         |
| 610111-07130        | 6 - 18         | 900220-04008        | 1 - 22         | 900702-00032        | 6 - 66         |
| 610206-07131        | 6 - 41         | 900220-04008        | 2 - 55         | 900702-00035        | 1 - 28         |
| 610209-27630        | 6 - 1          | 900220-05008        | 1 - 39         | 900706-00009        | 6 - 54         |
| 610223-28931        | 2 - 12         | 900220-05014        | 6 - 28         | 900706-00012        | 6 - 63         |
| 610239-04130        | 6 - 9          | 900242-04008        | 2 - 16         | 900720-00018        | 6 - 7          |
| 610239-04130        | 6 - 62         | 900242-04008        | 3 - 49         | 900800-00609        | 6 - 57         |
| 610248-07134        | 6 - 8          | 900242-04010        | 4 - 34         | 900802-06001        | 2 - 20         |
| 610249-07131        | 6 - 6          | 900242-04012        | 4 - 24         | 900803-00609        | 6 - 56         |
| 610250-07130        | 2 - 9          | 900242-04012        | 5 - 28         | 900810-06201        | 6 - 65         |
| 610251-07130        | 2 - 10         | 900242-04020        | 2 - 81         | 900810-36201        | 1 - 35         |
| 610252-07130        | 2 - 11         | 900242-04025        | 2 - 67         | 900810-36202        | 1 - 32         |
| 610257-07130        | 6 - 15         | 900242-04025        | 3 - 16         | 900814-00627        | 6 - 17         |
| 610257-56330        | 6 - 15         | 900242-05010        | 4 - 32         | 900814-06202        | 4 - 30         |
| 610301-08930        | 6 - 58         | 900242-05010        | 6 - 60         | 94035-36201         | 1 - 35         |
| 610313-07130        | 6 - 69         | 900242-05010        | 6 - 75         | 94042-06001         | 2 - 20         |
| 610313-07131        | 6 - 69         | 900242-05012        | 1 - 7          | 94064-06202         | 4 - 30         |
| 610313-07132        | 6 - 69         | 900242-05012        | 2 - 47         | A172-000000         | 1 - 20         |
| 610314-07130        | 6 - 72         | 900242-05012        | 2 - 52         | C536-000030         | 6 - 80         |
| 610315-07130        | 6 - 67         | 900242-05012        | 3 - 22         | V205-000360         | 6 - 61         |
| 610360-07130        | 6 - 64         | 900242-05012        | 3 - 45         | V352-000000         | 2 - 80         |
| 610402-07130        | 6 -            | 900242-05012        | 4 - 12         | X602-000020         | 6 - 90         |
| 610402-07131        | 6 -            | 900242-05014        | 6 - 48         |                     |                |
| 610402-07132        | 6 -            | 900242-05014        | 6 - 76         |                     |                |
| 610413-07130        | 6 - 68         | 900242-05020        | 2 - 17         |                     |                |

# YAMABIKO CORPORATION

7-2 SUEHIROCHO 1-CHOME, OHME, TOKYO 198-8760, JAPAN  
PHONE: 81-428-32-6118. FAX: 81-428-32-6145.

**ECHO**®



-311  
No.