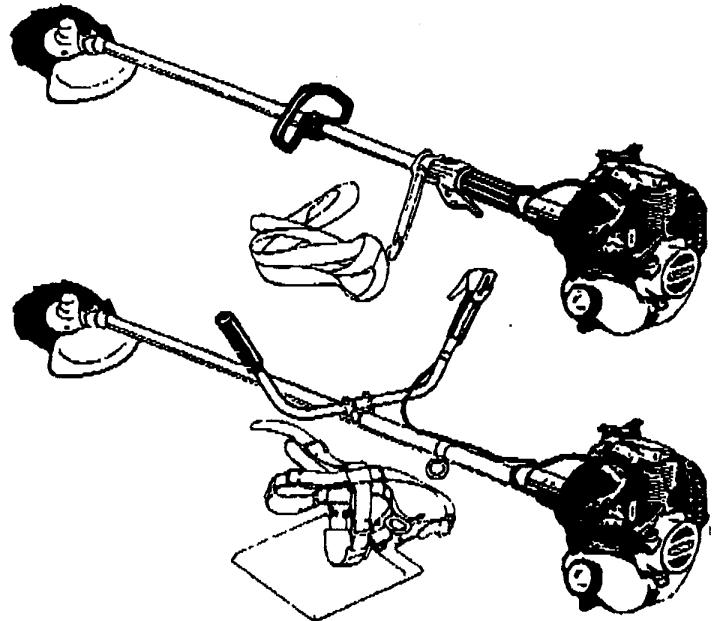


**ECHO**



**OPERATOR'S MANUAL**

**ECHO  
TRIMMER/  
BRUSHCUTTER  
SRM-310**

**CAUTION**

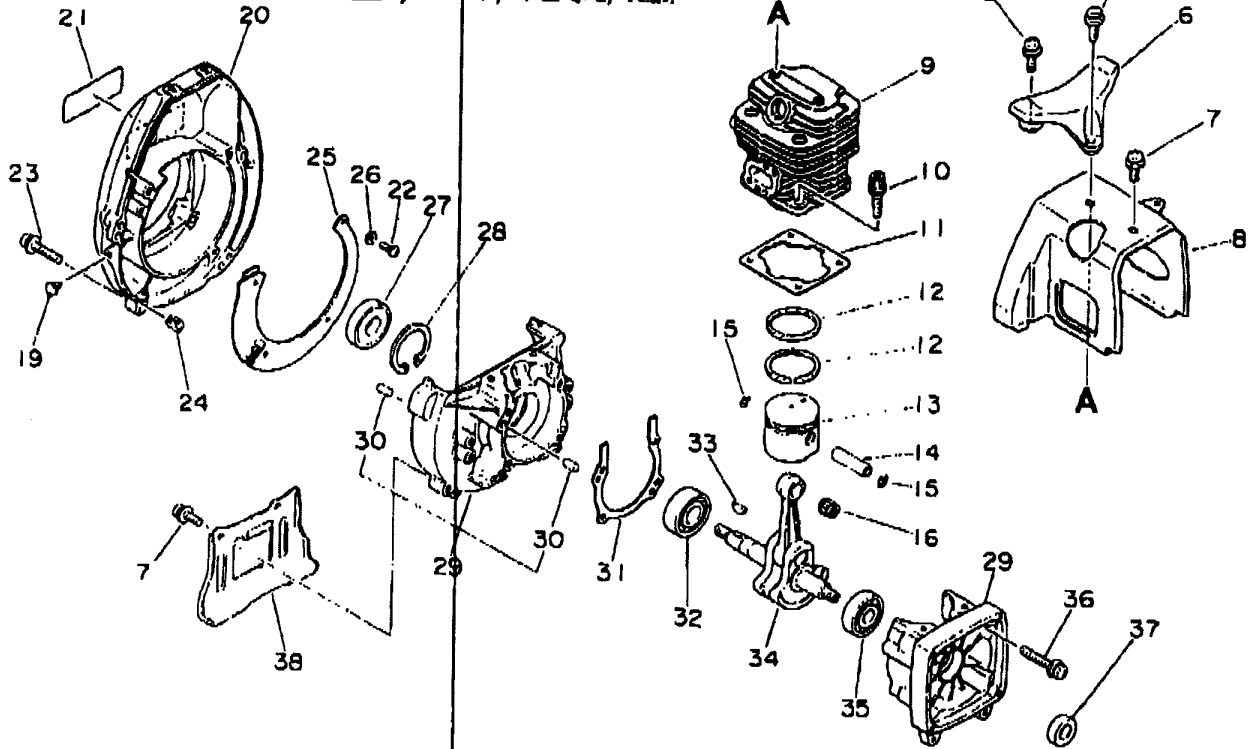
Read Rules for Safe Operation  
and Instructions Carefully

**5**

898 571-4043 2

SRM-310 1

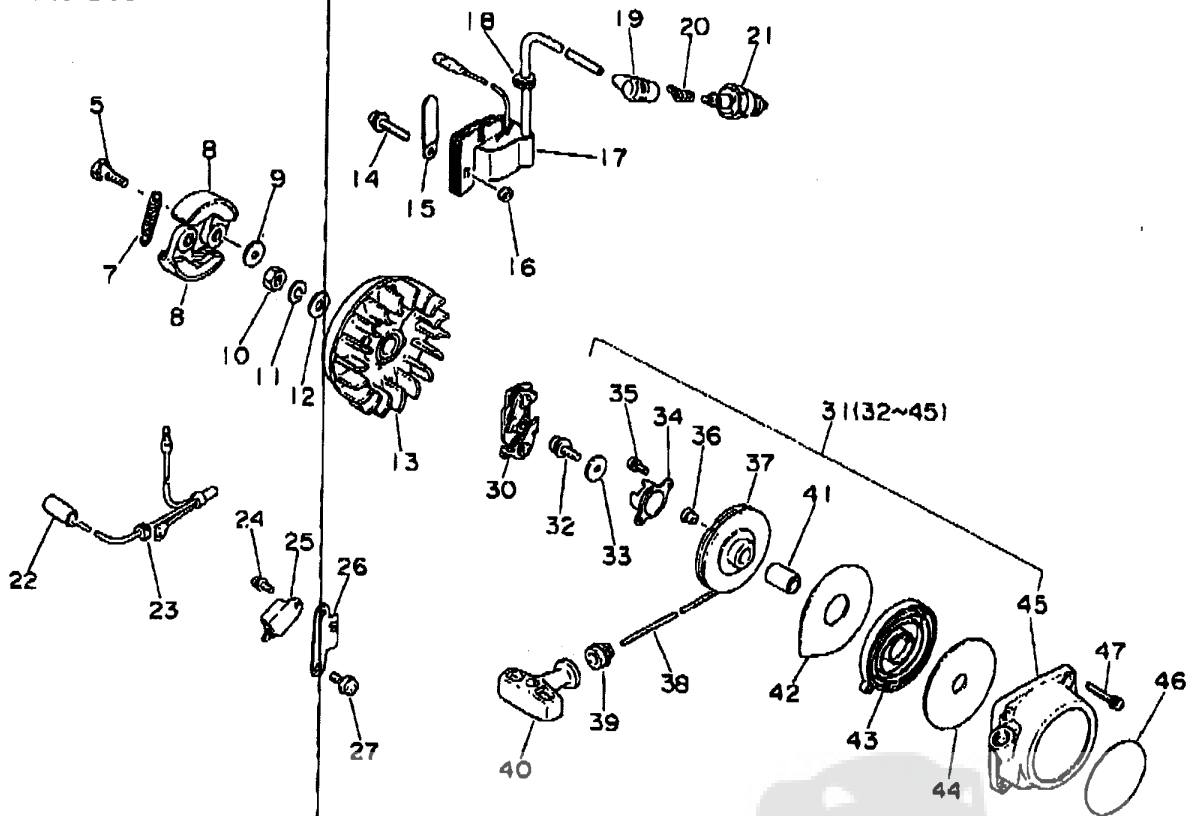
FROM CONTRACT.  
COPY OF PART  
LIST AS REQUESTED.



Key No.	Part Number	Q'ty	Description	Key No.	Part Number	Q'ty	Description
1- 5	900 242-0501 6	3	Screw 5x16	1- 27	100 212-0573 0	1	Oilseal
6	159 905 2233 0	1	Guard	28	900 702-0003 5	1	Circlip
7	900 242-0501 2	3	Screw 5x12	29	100 200-2743 0	1	Case, crank
8	101 514 2753 0	1-	Cover, cylinder	30	-100 215-0283 0	4	Knock
9	101 011-2753 0	1	Cylinder	31	100 242-2123 0	1	Gasket
10	900 162-0502 0	4	H S H bolt	32	900 810-3620 2	1	Bearing, ball
11	101 010-2123 0	1	Gasket	33	100 142-0031 0	1	Key, woodruff
12	100 011-1613 1	2	Ring, piston	34	100 100-2123 0	1	Shaft, crank
13	100 010-2743 0	1	Piston	35	900 810-3620 1	1	Bearing, ball
14	100 013-2743 0	1	Pin, piston	36	900 242-0503 0	4	Screw 5x30
15	100 015-0393 0	2	Circlip	37	100 213-0553 0	1	Oilseal
16	100 012-1613 1	1	Bearing, needle	38	305 110-2753 0	1	Stand
19	880 517-2823 0	1	Plug				
20	101 511-2743 0	1	Cover, fan				
21	890 112-4043 0	1	Decal				
22	900 220-0400 8	4	Screw 4x8				
23	900 242-0502 5	4	Screw 5x25				
24	101 583-2123 0	1	Plug				
25	101 534-2123 0	1	Plate				
26	900 600-0000 4	4	Washer 4				

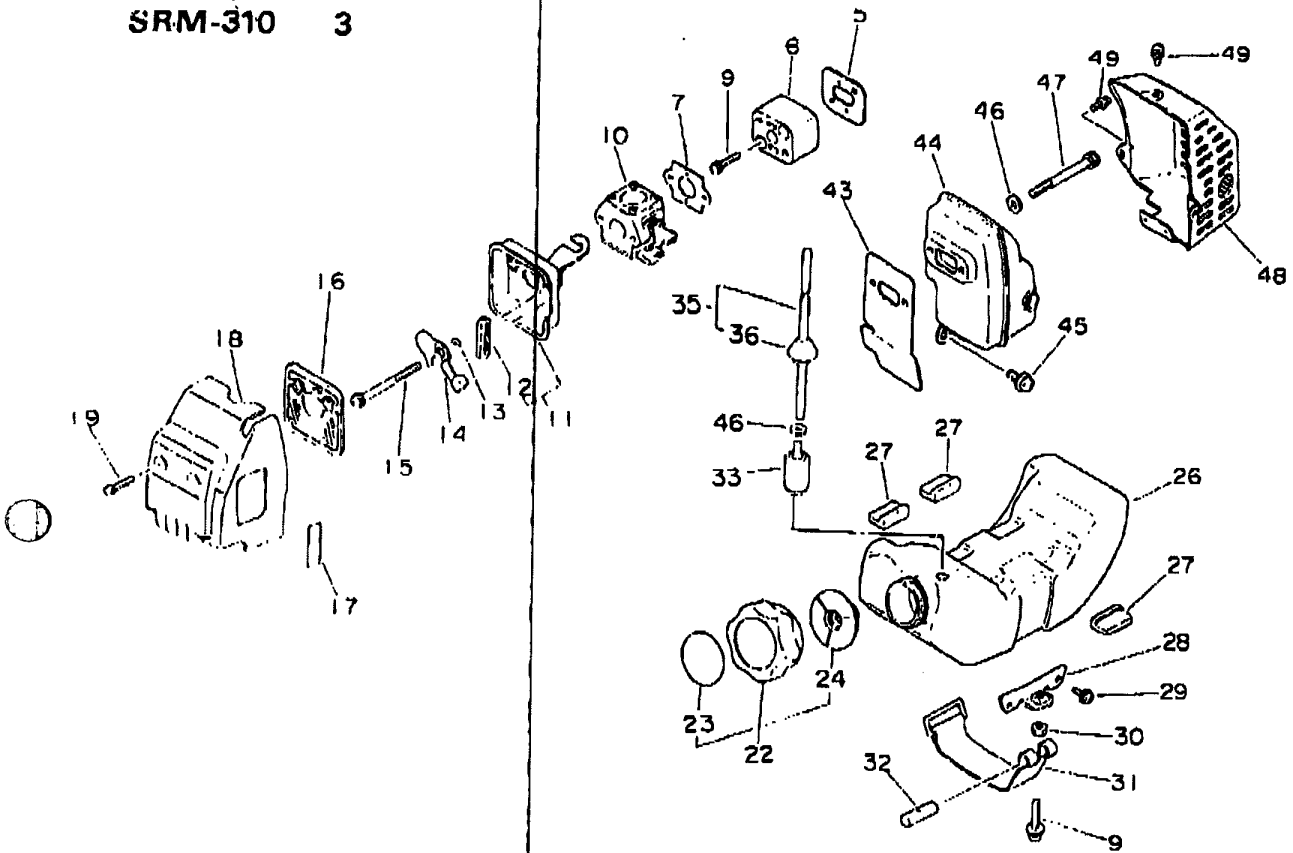
SRM-310 2

17730540530



Key No.	Part Number	Q'ty	Description	Key No.	Part Number	Q'ty	Description
2- 5	175 046-2233 2	2	Bolt	2- 26	159 310-2743 0	1	Bracket
7	175 018-0573 1	1	Spring	27	900 242-0601 2	2	Screw 5x12
8	175 009-0573 3	2	Shoe	30	177 305-0672 0	1	Ratchet
9	175 048-0553 0	2	Washer	31	177 200-2743 0	1	Starter ass'y
10	900 500-0000 8	1	Nut 8	32	-900 242-0501 2	1	Screw 5x12
11	900 605-0000 8	1	Lock washer	33	-177 214-0283 0	1	Washer
12	175 049-0392 0	1	Washer	34	-177 243-0413 0	1	Pawl catcher
13	152 801-2743 0	1	Flywheel	35	-900 241-0400 8	2	Screw 4x8
14	900 242-0602 5	2	Screw 5x25	36	-177 246-0393 0	1	Clip
15	159 116-2123 1	1	Clamp	37	-177 215-0413 0	1	Reel
16	152 117-0553 0	2	Spacer	38	-177 226-0393 0	1	Rope
17	152 626-2753 0	1	Coil, ignition	39	-177 227-0502 0	1	Guide
18	162 112-0573 0	1	Grommet	40	-177 228-1113 0	1	Grip
19	159 012-0343 3	1	Cap, plug	41	-177 216-1233 0	1	Bush
20	159 011-0343 2	1	Spring	42	-177 242-0672 1	1	Side plate
21	159 010-1063 0	1	Spark plug	43	-177 220-0393 0	1	Rewind spring
22	162 000-2203 0	1	Lead	44	-177 221-0672 0	1	Side plate
23	156 114-0492 0	1	Grommet	45	-177 209-2743 0	1	Case, starter
24	900 242-0400 8	1	Screw 4x8	46	890 112-1783 0	1	Decal
25	152 601-1513 0	1	T.C.I. module	47	900 242-0402 5	4	Screw 4x25

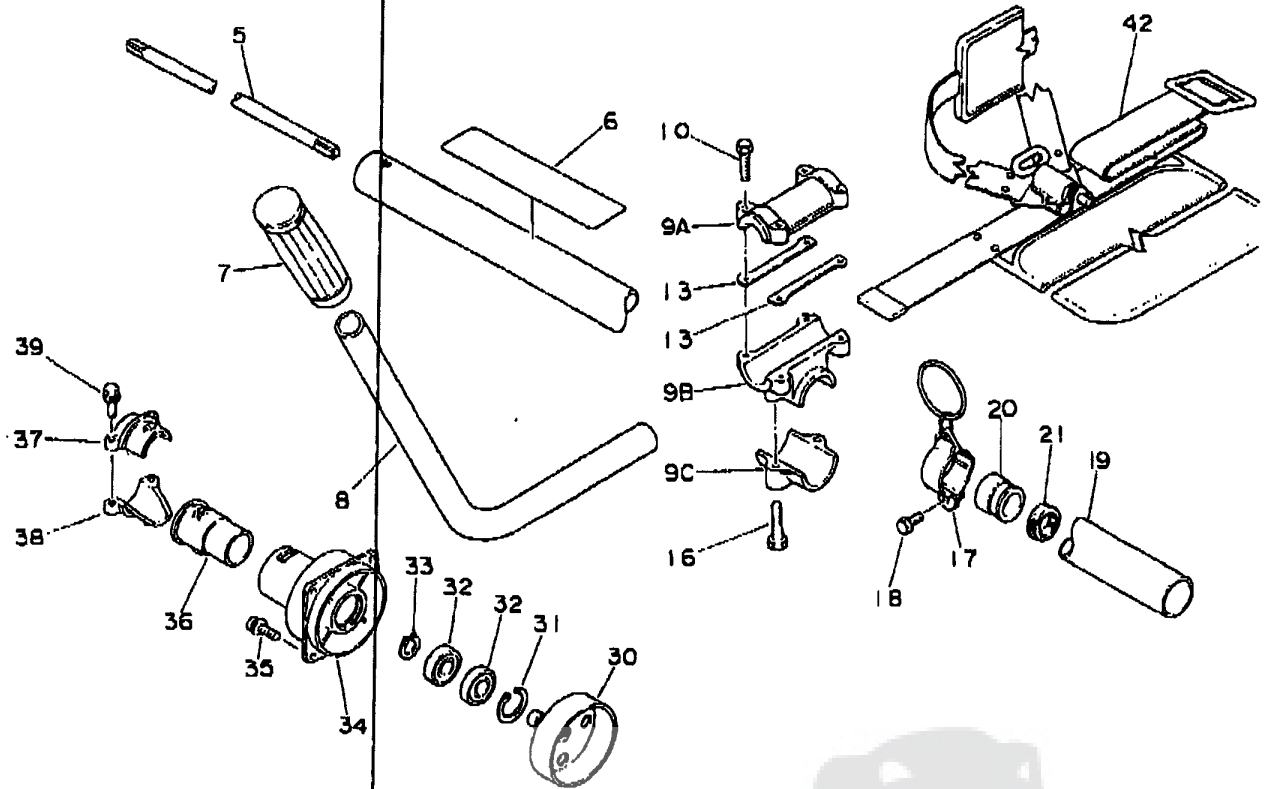
SRM-310 3



Key No.	Part Number	Q'ty	Description	Key No.	Part Number	Q'ty	Description
3- 5	130 010-2753 0	1	Gasket	3- 27	131 924-0553 0	3	Cushion
6	130 007-4043 0	1	Insulator	28	131 978-2753 0	1	Bracket
7	130 016-0623 0	1	Gasket	29	900 242-0401 0	2	Screw 4x10
9	900 242-0502 5	3	Screw 5x25	30	900 500-0000 5	1	Nut 5
10	123 000-4043 0	1	Carburetor	31	131 917-2753 0	1	Band
11	130 301-0502 1	1	Case, cleaner	32	131 931-2233 0	1	Retainer
12	178 810-0502 0	1	Grommet	33	131 200-2133 0	1	Strainer
13	178 516-0083 0	1	Spacer	35	132 007-0753 0	1	Pipe, fuel
14	178 515-0672 0	1	Shutter, choke	36	-132 115-0492 0	1	Grommet
15	900 242-0504 5	2	Screw 5x45	43	145 510-2753 0	1	Gasket
16	130 310-0653 0	1	Filter, air	44	145 610-2753 0	1	Muffler
17	890 121-2143 0	1	Decal	45	900 242-0501 2	1	Screw 5x12
18	130 307-4043 0	1	Case, cleaner	46	900 603-0000 5	3	Washer 5
19	900 242-0401 8	2	Screw 4x18	47	900 105-0505 5	2	H.S.H. bolt
22	131 604-0623 1	1	Cap ass'y fuel	48	145 621-2753 0	1	Cover, muffler
23	-890 154-1273 0	1	Decal	49	900 242-0400 8	2	Screw 4x8
24	-131 314-2233 0	1	Check valve				
26	131 010-4043 0	1	Tank, fuel				

LOOP HANDLED VERSION  
BEHIND THIS PAGE

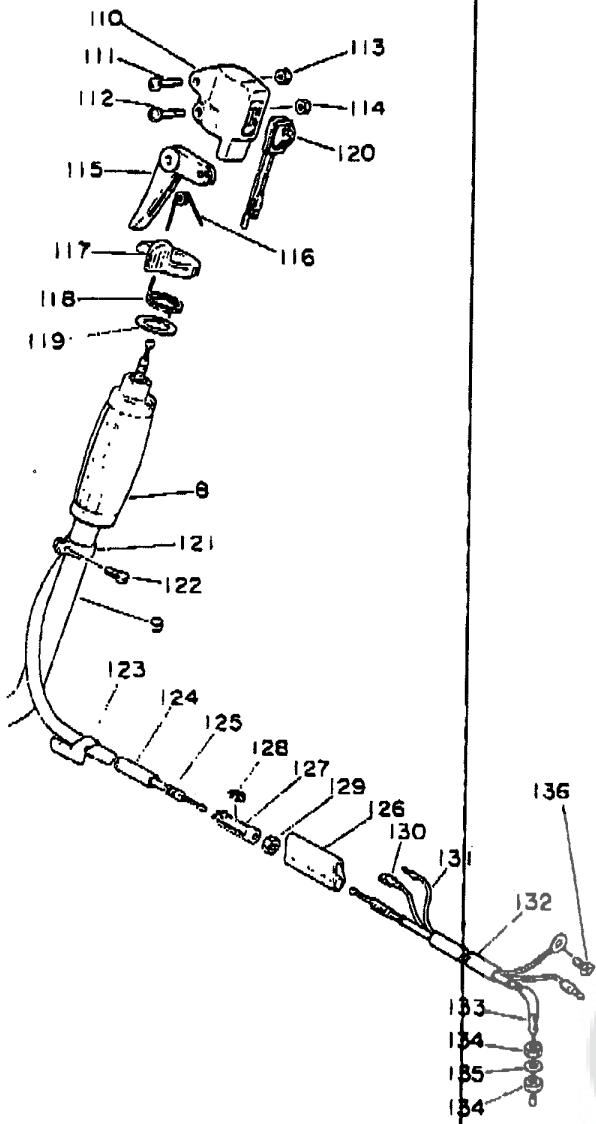
SRM-310 4



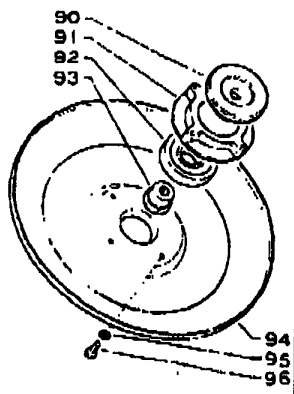
Key No.	Part Number	Q'ty	Description	Key No.	Part Number	Q'ty	Description
4-5	810 011-0623 0	1	Shaft, drive	4-32	900 808-0600 1	2	Bearing, ball
6	890 160-2033 0	1	Decal, caution	33	900 701-0001 2	1	Circlip
7	351 311-0233 0	1	Handle grip	34	610 205-4043 0	1	Case, bearing
8	351 210-0553 0	1	Handle, left	35	900 242-0501 6	4	Screw 5x16
9	351 301-0413 0	1	Bracket ass'y	36	610 910-4043 0	1	Cushion
10	-900 142-0502 5	4	Bolt 5x25	37	610 922-4043 0	1	Holder, U
13	-351 319-0413 0	2	Spacer	38	610 923-4043 0	1	Holder, L
16	-900 142-0603 0	2	Bolt 6x30	39	900 142-0502 5	2	Bolt 5x25
17	301 200-0623 0	1	Hanger holder	42	301 001-0533 0	1	Harness ass'y
18	900 100-0501 2	1	Bolt 5x12				
19	610 206-4043 0	1	Housing ass'y				
20	-610 105-0493 0	5	Bush				
21	-610 112-0493 0	5	Ring				
30	175 005-4043 0	1	Drum				
31	900 702-0002 8	1	Circlip				

Remarks: 9 Includes 10 thru 16.  
19 Includes 20 thru 21.

SRM-310 5

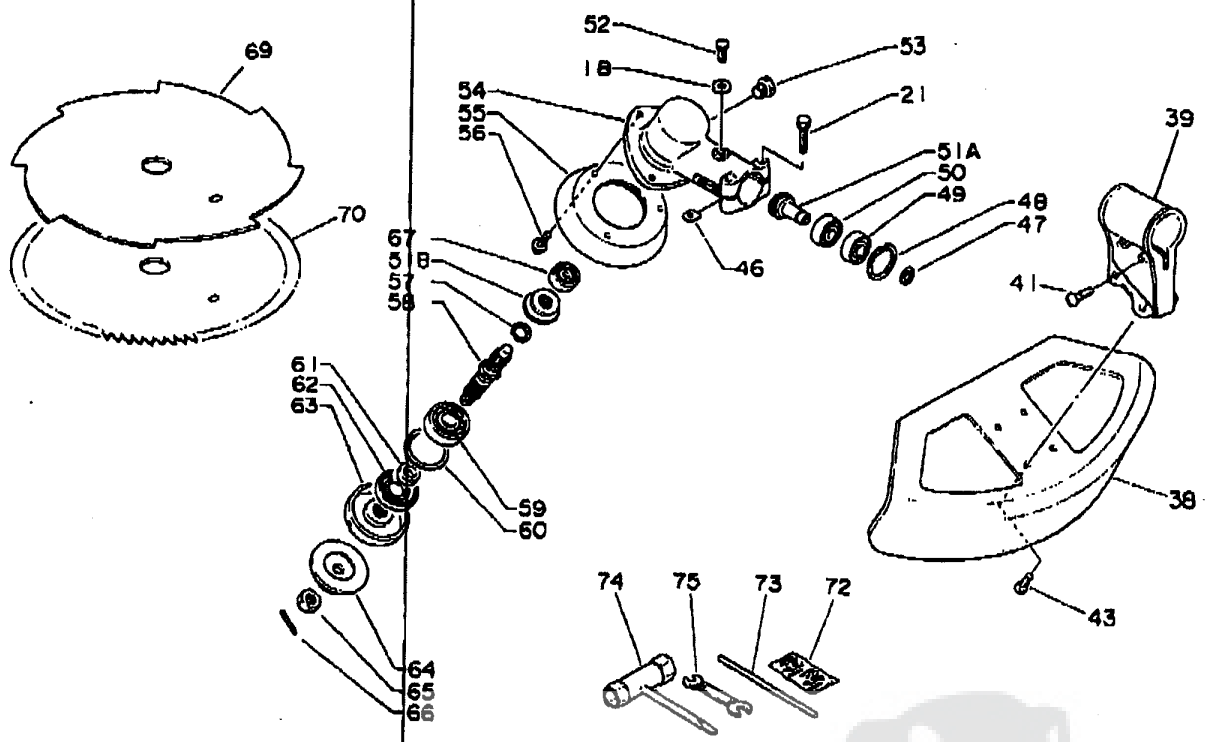


Key No.	Part Number	Q'ty	Description
5- 8	351 315-2213 0	1	Grip. handle
9	351 010-0553 0	1	Handle (R)
110	178 024-2213 0	1	Bracket, throttle
111	178 110-0533 0	1	Screw
112	900 220-0502 5	1	Screw 5 x 25
113	433 020-0083 0	1	Lock nut
114	900 500-0000 5	1	Nut 5
115	178 010-0533 0	1	Trigger, throttle
116	178 043-0523 0	1	Spring, thr. return
117	178 012-2213 0	1	Lockout, throttle
118	178 013-2213 0	1	Spring
119	178 070-2213 0	1	Spacer
120	163 400-2453 0	1	Switch
121	178 106-0533 0	1	Band
122	900 220-0501 0	1	Screw 5 x 10
123	178 111-0493 0	1	Clip
124	178 127-2213 0	1	Tube
125	178 002-2213 0	1	Cable, throttle
126	178 128-2213 0	1	Sleeve
127	178 114-0563 0	1	Retainer, joint
128	178 049-0663 0	1	Joint
129	178 021-0553 0	1	Nut
130	162 021-4043 0	1	Lead
131	162 010-2723 0	1	Lead, ground
132	178 127-2443 0	1	Tube
133	178 004-2723 0	1	Cable, throttle
134	900 502-0000 6	2	Nut 6
135	900 600-0000 6	2	Washer 6
136	900 242-0501 2	1	Screw

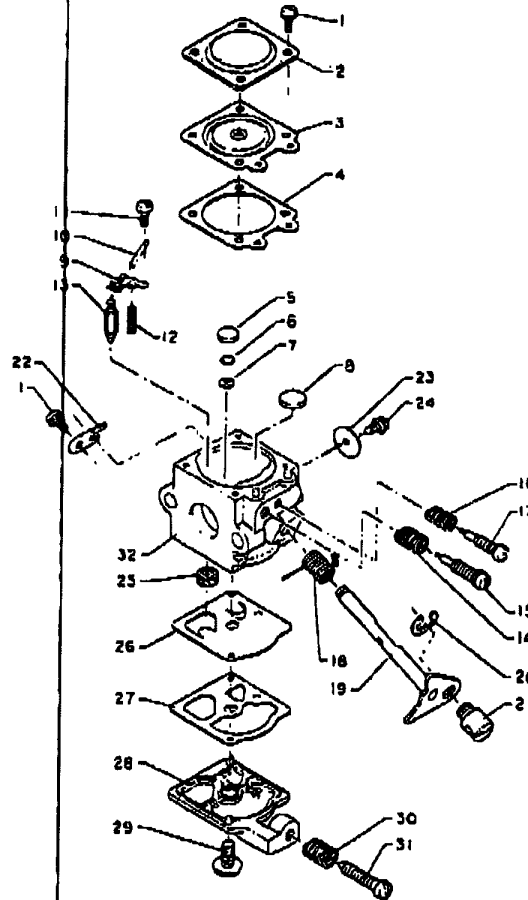


Key No.	Part Number	Q'ty	Description
90	610 333-0713 0	1	Plate, adapter
91	699 226-0543 0	1	Holder, bearing
92	900 814-0620 2	1	Bearing, ball
93	699 227-0463 0	1	Nut
94	699 228-0893 0	1	Cover plate
95	900 605-0000 5	4	Lock washer 5
96	900 100-0501 2	4	Bolt 5 x 12

SRM-310 6



Key No.	Part Number	Q'ty	Description	Key No.	Part Number	Q'ty	Description
6	699 000-4043 0	1	Shield ass'y	6- 54	-610 410-0753 0	1	Gear housing
38	-699 010-0533 0	1	Shield	2x 55	-610 443-2123 2	1	Adapter
39	-699 011-4043 0	1	Bracket	3x 56	-900 242-0502 0	3	Screw 5x20
				57	-610 335-0713 0	1	Circlip
				58	-610 310-0713 0	1	Shaft
41	-900 242-0502 5	2	Screw 5x25	59	-900 810-0620 1	1	Bearing, ball
43	-900 242-0501 2	4	Screw 5x12	60	-900 702-0003 2	1	Circlip 32
**	610 400-4043 0	1	Gear housing ass'y	61	-610 315-0713 0	1	Spacer
18	-900 600-0000 6	1	Washer 5	62	-610 413-0713 0	1	Oilseal
				63	-610 313-0713 0	1	Plate, adapter U
21	-900 142-0503 0	2	Bolt 5x30	64	-610 314-0713 0	1	Plate, adapter L
46	-610 239-0413 0	2	Spacer	65	-900 511-0001 0	1	Nut, L-H
47	-900 701-0001 2	1	Circlip 12	66	-900 300-2002 2	1	Split pin
48	-900 702-0002 8	1	Circlip 28	67	-900 800-3600 0	1	Bearing, ball
49	-900 807-0600 1	1	Bearing, ball	69	696 001-0113 0	1	8-blade cutter
50	-900 800-0600 1	1	Bearing, ball	70	695 001-0123 0	1	Circular saw
51	-610 300-4043 0	1	Gear set	72	898 502-0113 0	1	Split pin 10 pcs
52	-900 220-0501 0	1	Screw 5x10	73	897 518-0113 1	1	Fitting tool
53	-900 100-0800 8	1	Bolt 8x8	74	895 410-0803 0	1	Box wrench 17x19
				75	895 112-0033 0	1	Spanner 8x10

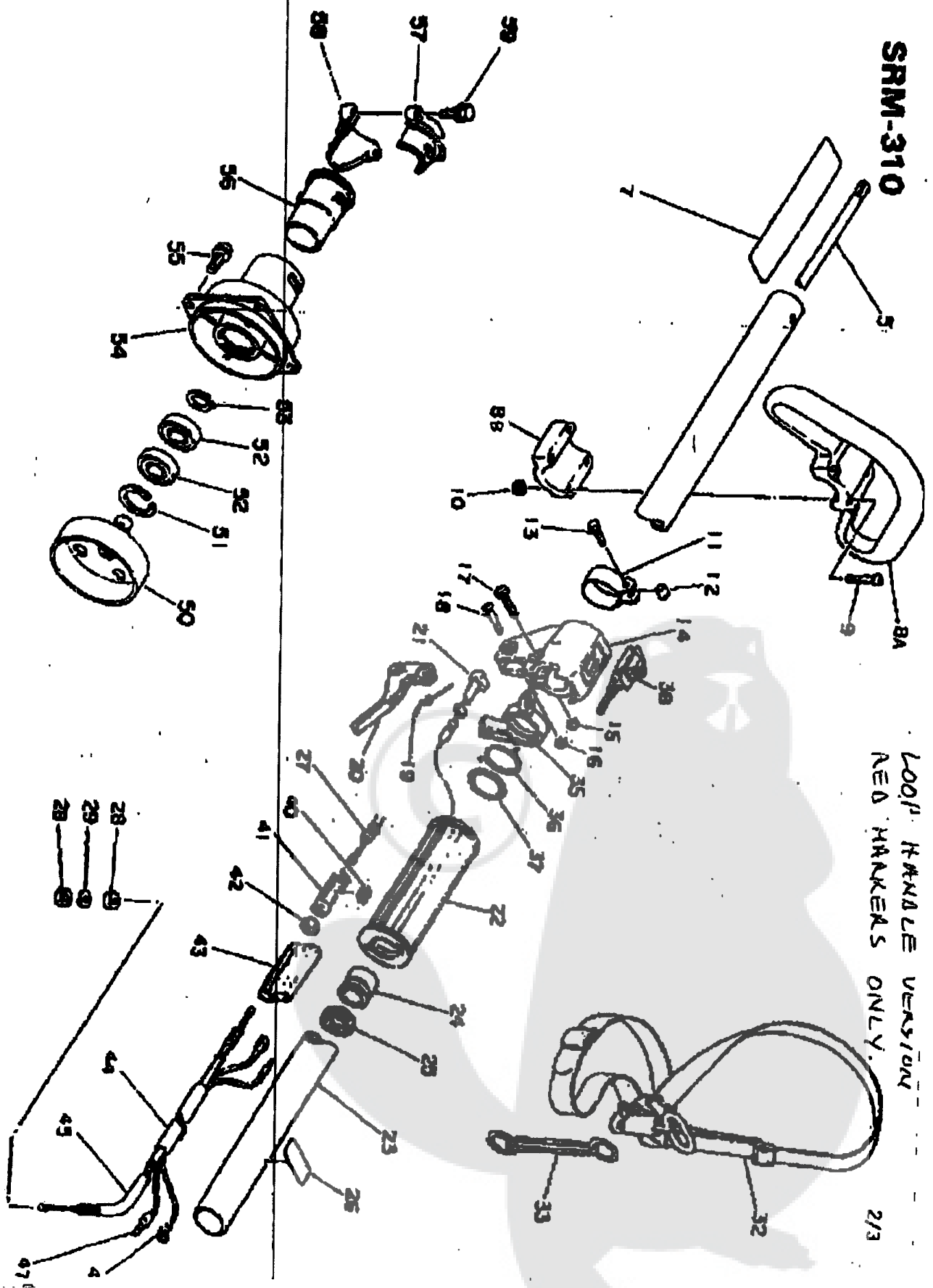


Key No.	Part Number	Q'ty	Description	Key No.	Part Number	Q'ty	Description
7. *	123 000-4043 0	1	Carburetor WA	7- 20	-123 127-1063 0	1	Retaining, spring
1	-123 130-0296 0	5	Screw	21	-123 172-0432 0	1	Swivel
2	-123 142-0393 0	1	Cover, M. diaphragm	22	-123 127-0393 0	1	Clip, throttle shaft
3	-123 141-0393 0	1	Diaphragm, metering	23	-123 116-1053 0	1	Valve, throttle
4	-123 140-0393 0	1	Gasket, M. diaphragm	24	-123 114-0393 0	1	Screw, thrt. valve
5	-123 145-1633 0	1	Plug, welch	25	-123 126-1063 1	1	Screen, inlet
6	-123 169-1063 0	1	Ring, retaining	26	-123 112-1503 0	1	Pump diaphragm
7	-123 168-1063 1	1	Screen	27	-123 125-1503 0	1	Gasket, pump
8	-123 146-1063 0	1	Plug, welch	28	-123 124-0296 0	1	Cover, fuel pump
9	-123 123-0393 0	1	Lever, metering	29	-123 110-0393 0	1	Screw, pump cover
10	-123 138-0393 0	1	Pin, metering lever	30	-123 133-0632 0	1	Spring, idle adjust
11	-123 139-0393 0	1	Screw, M. lever pin	31	-123 134-0632 0	1	Screw, idle adjust
12	-123 122-0393 0	1	Spring, meter. lever	32	-Un available	1	Body
13	-123 137-0393 0	1	Valve, inlet needle				
14	-123 119-2213 0	1	Spring, needle				
15	-123 120-0076 0	1	Needle, high speed				
16	-123 121-2213 0	1	Spring, needle				
17	-123 118-2443 0	1	Needle, idle				
18	-123 113-0393 0	1	Spring, thrt. return				
19	-123 117-0502 0	1	Shaft, throttle				
				Part Number	Description	Key Number	
				123 102-0932 0	Kwik kit, repair	3,4,9,10,12,13,24,25,26,27.	
				123 103-1503 0	Kit, Diaphragm/gasket	3,4,26,27	

Remark: \* Consist of 1 thru 32.



**SRM-310**



LOOP HANDLE VERSION  
AND HOOKS ONLY.

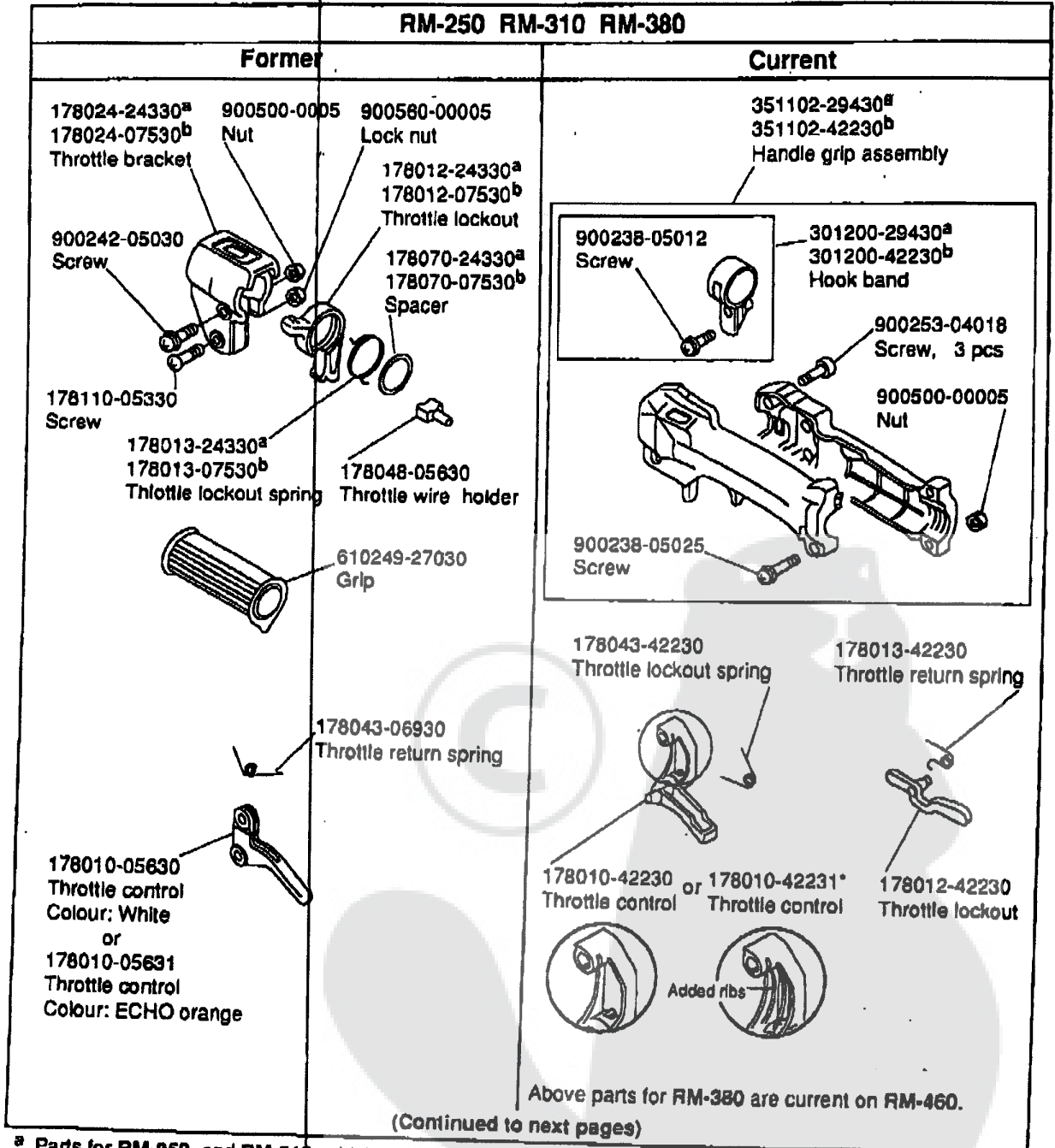
Key No.	Part Number	Q'ty	Description	Key No.	Part Number	Q'ty	Description
-5	610 011-0623 0	1	Shaft, drive ✓	-33	301 305-2433 0	1	Strap
-7	890 160-2033 0	1	Label	-35	178 012-0753 0	1	Lockout, throttle ✓(4); ord. 2
-8	351 201-0693 0	1	Handle, loop ✓(4); ord. 5.	-36	178 013-0753 0	1	Spring
-9	900 242-0503 5	4	Screw ✓(11); ord. 20.	-37	178 070-0753 0.	1	Spacer
-10	900 500-0000 5	4	Nut ✓	-38	163 400-2443 0	1	Switch, ignition
-11	301 207-0753 0	1	Hook	-40	178 049-0563 0	1	Connector
-12	699 012-0333 0	1	Spacer	-41	178 114-0563 0	1	Connector, throttle ✓
-13	900 100-0501 8	1	Bolt	-42	178 021-0553 0	1	Nut
-14	178 024-0753 0	1	Bracket ✓(5); ord. 5	-43	178 128-2213 0	1	Sleeve
-15	900 500-0000 5	1	Nut	-44	178 127-2443 0	1	Tube
-16	433 020-0083 0	1	Locknut	-45	178 004-2723 0	1	Wire, throttle ✓
-17	900 242-0503 0	1	Screw	-46	162 021-0533 0	1	Lead X
-18	178 110-0533 0	1	Screw	-47	162 021-4043 0	1	Lead
-19	178 043-0693 0	1	Spring	-50	175 005-4043 0	1	Drum, clutch ✓
-20	178 010-0563 0	1	Control, throttle ✓	-51	900 702-0002 8	1	Circlip
-21	178 048-0563 0	1	Spacer	-52	900 808-0800 1	2	Bearing, ball
-22	351 012-0753 0	1	Cmp, rear handle ✓(3); ord. 5	-53	900 707-0001 2	1	Circlip
-23	610 206-4043 0	1	Housing, drive shaft	-54	610 205-4043 0	1	Case, clutch
-24	-610 105-0493 0	5	Bushing	-55	900 242-0501 6	4	Screw
-25	-610 112-0493 0	5	O-ring	-56	610 910-4043 0	1	Cushion
-26	890 152-0493 0	1	Label	-57	610 922-4043 0	1	Holder, housing
-27	178 002-2443 0	1	Wire, throttle ✓	-58	610 923-4043 0	1	Holder, housing
-28	900 502-0000 6	2	Nut	-59	900 142-0502 6	2	Bolt
-29	900 600-0000 6	2	Washer				
-30	301 000-2433 0	1	Harness				

3

# TECHNICAL INFORMATION

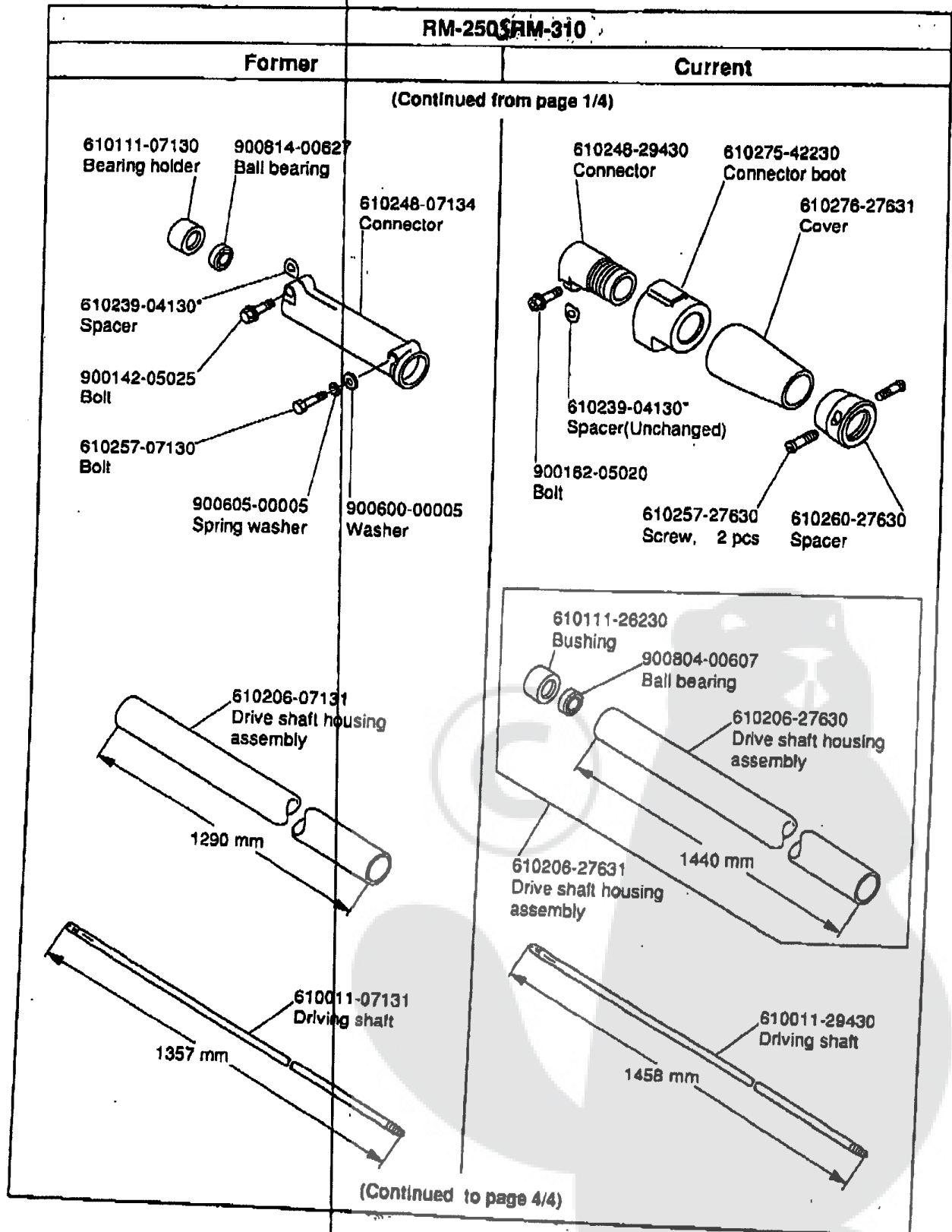
**SUBJECT:** Handle grip and relative parts  
**RM-250, SRM-310, and RM-380**

**Number:** 92-467 (1/4)  
**Issued:** Jan. 31, 1992



<sup>a</sup> Parts for RM-250, and RM-310 which are equipped with 25 mm diameter of drive shaft housing.  
<sup>b</sup> Parts for RM-380 which is equipped with 28 mm diameter of drive shaft housing.  
 \* Material changed and ribs added for reinforcement. This throttle control 178010-42231 is also current on RMA-2530, RM-250, RM-310, RM-380, and RM-460, and loop handle types of SRA-2190, SRM-2450, SRM-250E, SRM-2510, SRM-310, and SRM-3500.

TECHNICAL INFORMATION Number: 92-467 (2/4)



**TECHNICAL INFORMATION Number: 92-467 (4/4)**

RM-250 RM-310 RM-380	
Former	Current
(Continued from previous pages)	
<p>178002-07131 for RM-250/RM-310 178002-28930 for RM-380 Throttle wire</p> <p>178127-22130 for RM-250/RM-310 Tube, L=600mm</p> <p>178127-08030 for RM-380 Tube, L=750mm</p>	<p>178002-42230 Throttle wire</p> <p>178121-45930 Band</p> <p>178127-42230 Tube</p> <p>810 mm</p> <p>Above parts are also current on RM-460.</p>

RM-250 RM-310	
Former	Current
(Continued from previous pages)	
<p>163401-07130 Ignition switch Lead lengths: 950 mm</p> <p>610013-07130 Flexible shaft</p> <p>730 mm</p> <p>610209-21532 Flexible cover</p> <p>708 mm</p>	<p>163400-42230 Ignition switch Lead lengths: 1100 mm</p> <p>610013-27630 Flexible shaft</p> <p>880 mm</p> <p>610209-27630 Flexible cover</p> <p>858 mm</p> <p>Ignition switch 163400-42230 and Flexible shaft 610013-27630 are also current on RM-380 and RM-460.</p> <p>Flexible cover 610209-27630 had been used on RM-380 and RM-460 before 610209-42230. Please refer to Technical Information Nr. 92-468.</p>