



PARTS CATALOG

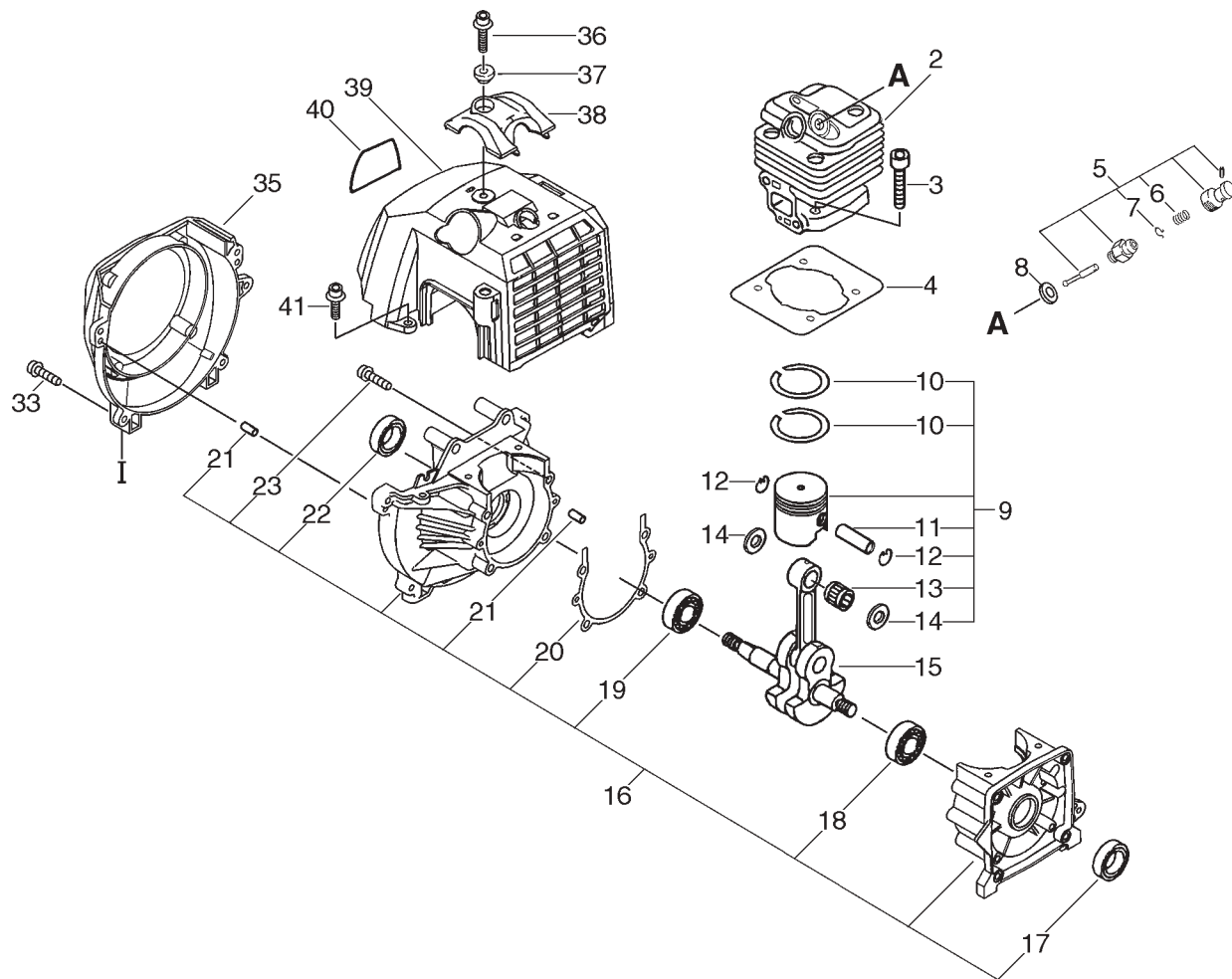
ECHO CLEARING SAW CLS-5000

ECHO POWER EQUIPMENT (CANADA)

501 Newbold Street, London, Ontario Canada N6E
1K4

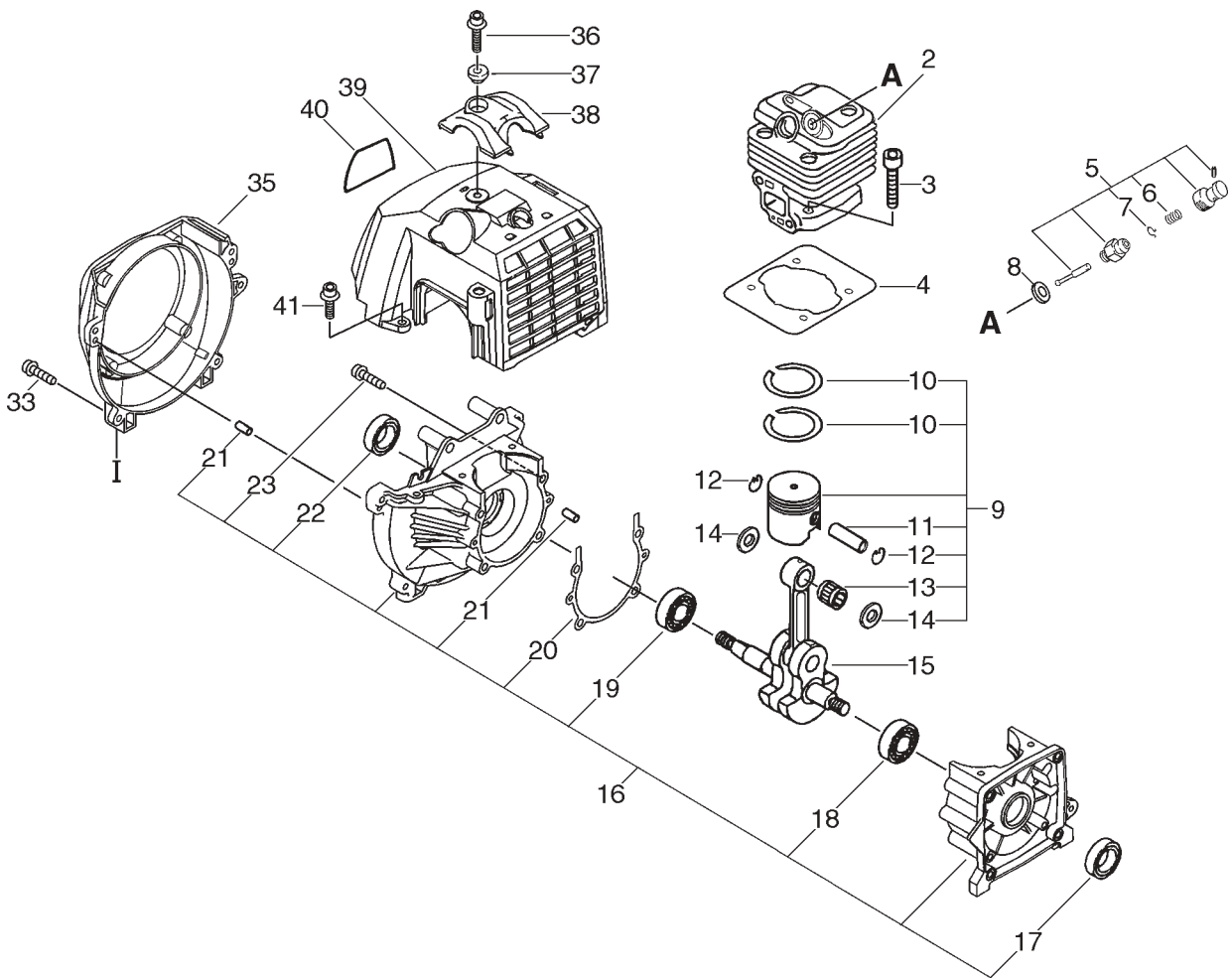
X751-000750

Cylinder, Crankcase, Piston

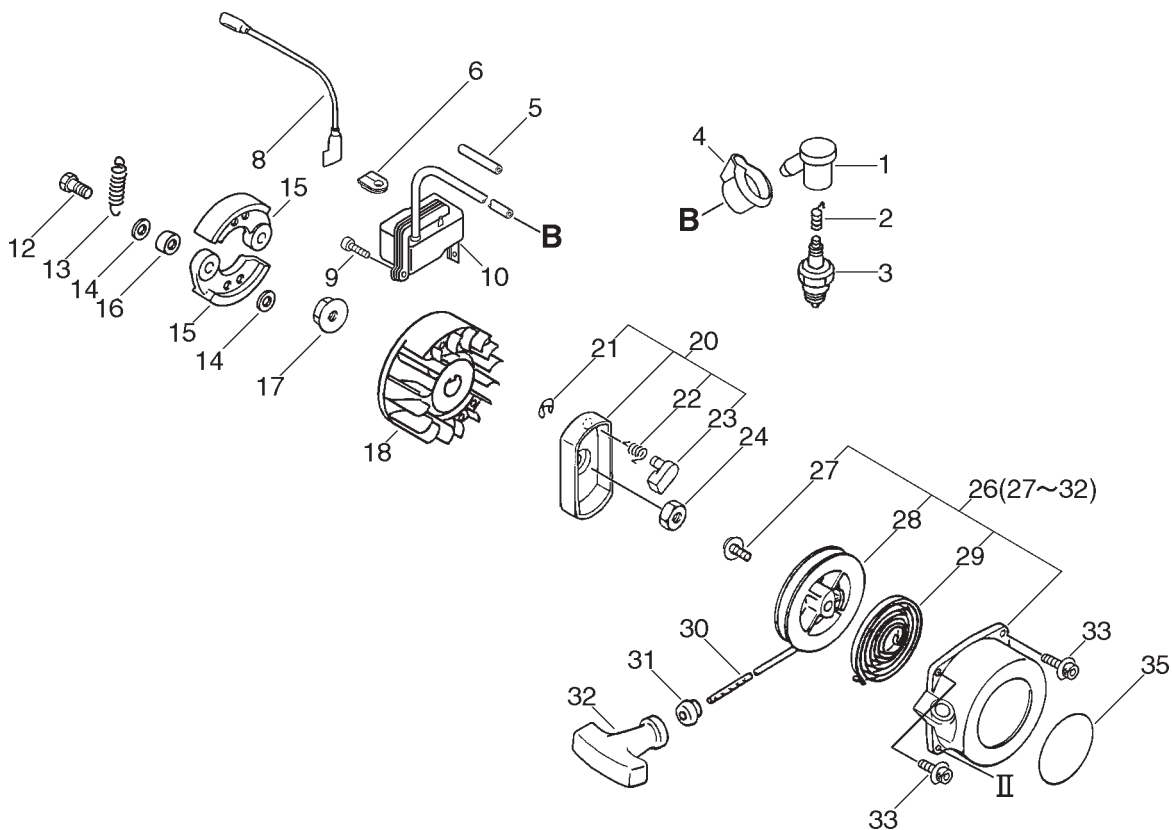


KEY	LV	PART NUMBER	Q'TY	DESCRIPTION	REMARKS
2		A130-000450	1	CYLINDER	
3		900162-05020	4	BOLT, H.S. 5*20	
4		V100-000040	1	GASKET,CYL	
5		A014-000000	1	DECOMP,ASM	
6	+	101113-37530	1	SPRING	
7	+	P022-002110	1	CLIP	
8		159025-37530	1	GASKET	
9		P021-005000	1	PISTON KIT	
10	+	A101-000070	2	RING,PISTON	
11	+	V608-000000	1	PIN,ENG 10	
12	+	100015-00120	2	CIRCLIP, PISTON PIN	
13	+	100012-12331	1	BEARING, NEEDLE	
14	+	V307-000060	2	WASHER,CIRCULAR 10	
15		A011-000120	1	CRANKSHAFT,ASM	
16		P021-002471	1	CRANKCASE SET	
17	+	100213-05530	1	OILSEAL	
18	+	900810-36202	1	BEARING, BALL 6202	
19	+	94035-36201	1	BEARING BALL	
20	+	V102-000001	1	GASKET,CRANKCASE	
21	+	100215-03930	4	PIN, DOWEL	
22	+	100213-00310	1	OILSEAL	
23	+	900162-05035	4	BOLT, H.S. 5*35	
33		900162-05020	4	BOLT, H.S. 5*20	
35		A172-000230	1	COVER,FAN	

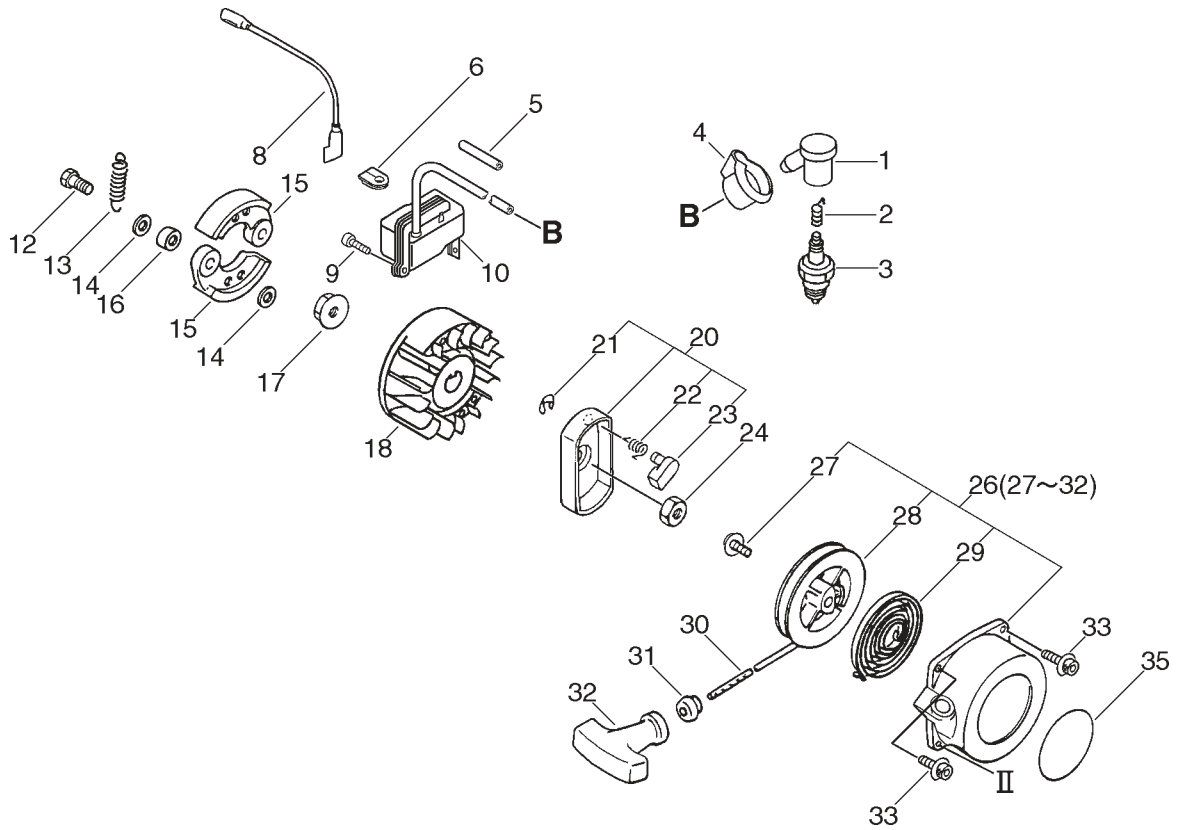
Cylinder, Crankcase, Piston



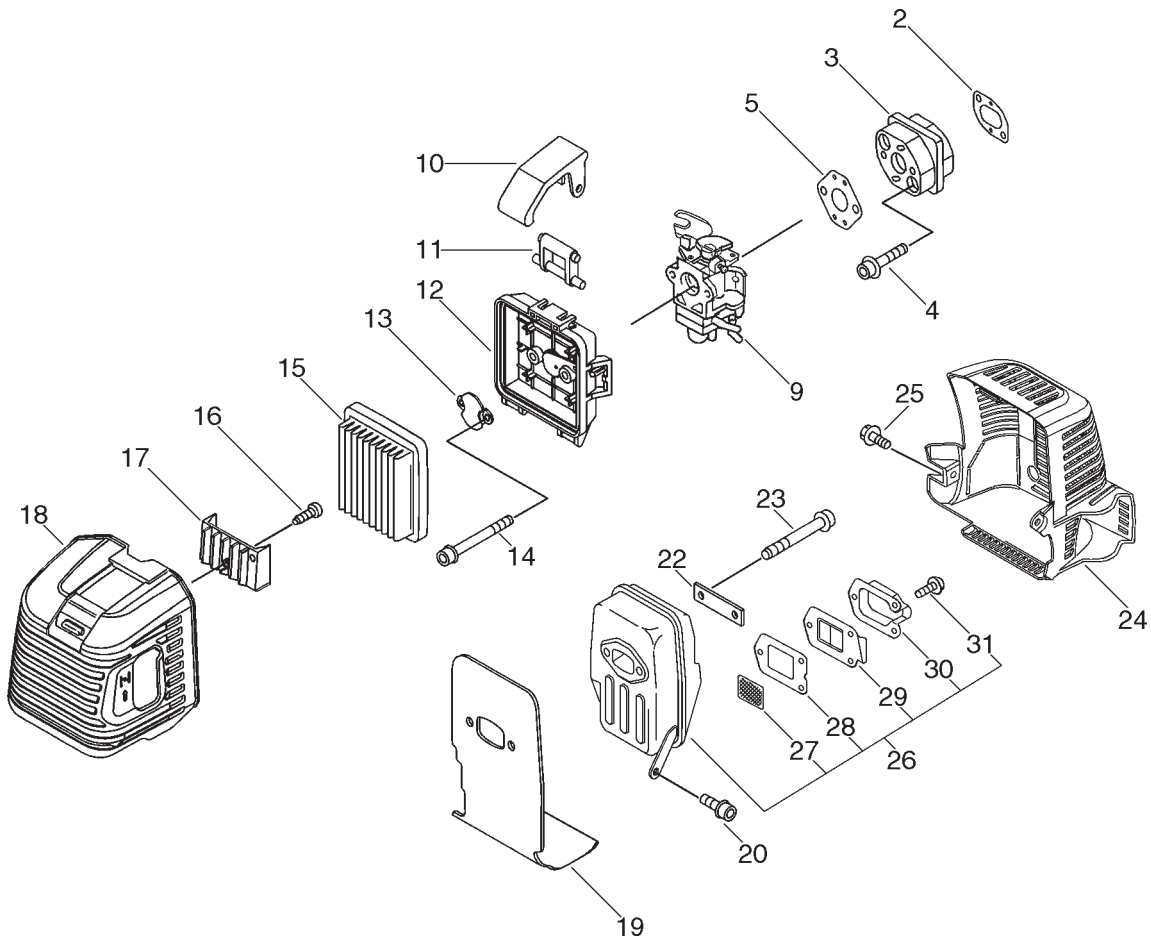
KEY	LV	PART NUMBER	Q'TY	DESCRIPTION	REMARKS
36		900106-05020	1	BOLT, H.S. 5*20	
37		V353-000020	1	COLLAR,5	
38		A162-000020	1	GUARD, TOP	
39		A160-000241	1	COVER, CYLINDER	
40		X503-002880	1	LABEL, MODEL	
41		900106-05012	1	BOLT, H.S. 5*12	



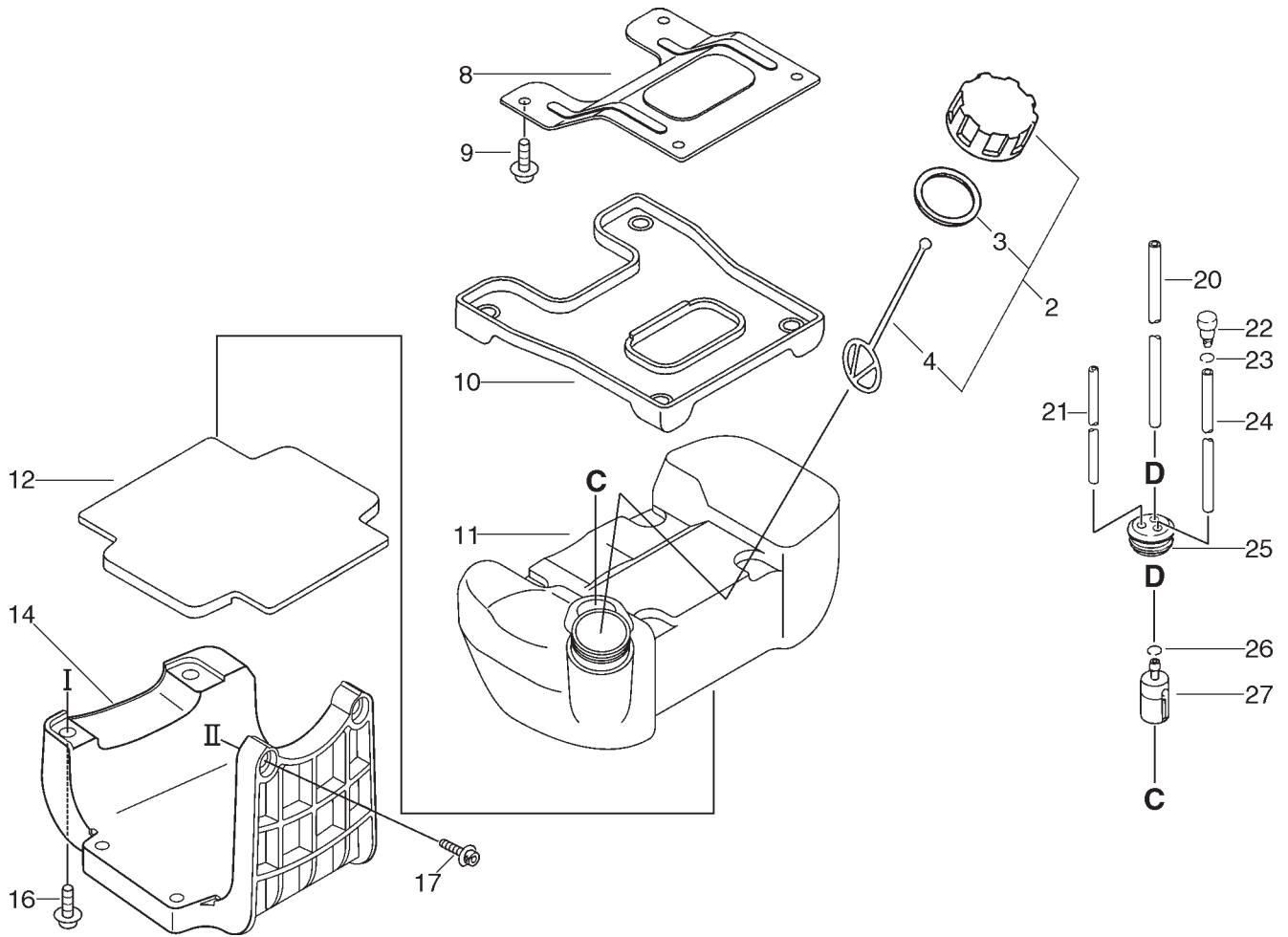
KEY	LV	PART NUMBER	Q'TY	DESCRIPTION	REMARKS
1		A427-000000	1	CAP, SPARK PLUG	
2		A426-000000	1	TERMINAL, SPARK PLUG	
3		159017-31730	1	PLUG, SPARK RCJ-6Y	
4		V141-000020	1	GROMMET, PLUG	
5		V475-001610	1	TUBE	
6		156114-04920	1	GROMMET	
8		162010-55630	1	LEAD, GROUND	
9		900162-05020	2	BOLT, H.S. 5*20	
10		A411-000050	1	COIL, IGNITION	
12		175046-54430	2	SHAFT, CLUTCH	
13		V451-000390	1	SPRING, TENSION	
14		175014-11231	4	WASHER, CLUTCH	
15		175009-54430	2	SHOE, CLUTCH	
16		175030-54430	2	METAL	
17		900519-00010	1	NUT, FLANGE 10	
18		A409-000061	1	ROTOR, MAGNETO	
20		A052-000010	1	PULLEY, ASM STARTER	
21	+	P022-002100	1	E-RING	
22	+	P022-002090	1	SPRING, RETURN	
23	+	177218-40630	1	PAWL, STARTER	
24		900502-00008	1	NUT 8 (3N)	
26		A051-000070	1	STARTER, RECOIL	
27	+	177236-06910	1	SCREW	
28	+	P022-002080	1	DRUM, STARTER	



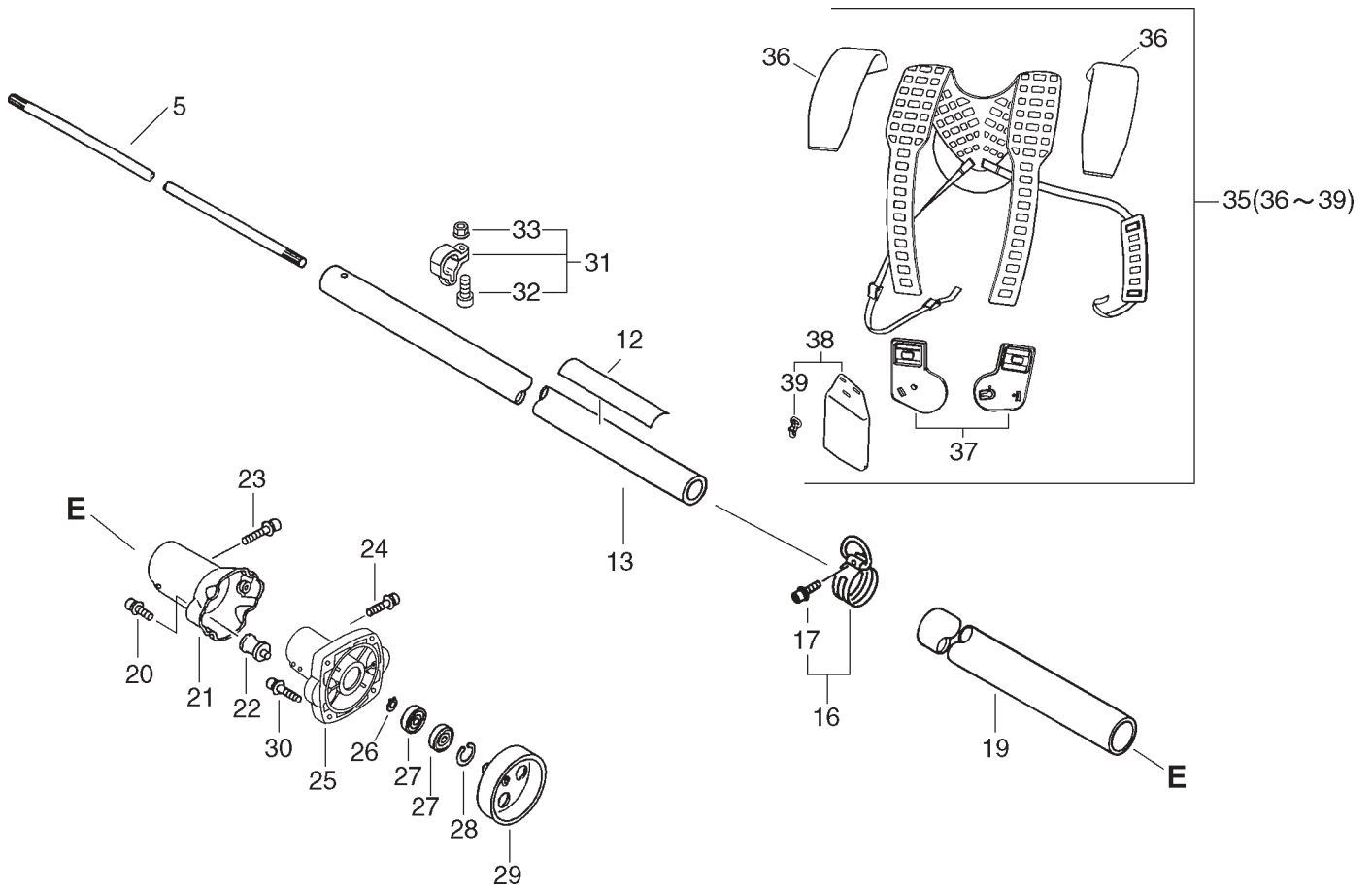
KEY	LV	PART NUMBER	Q'TY	DESCRIPTION	REMARKS
29	+	177220-06310	1	SPRING, REWIND	
30	+	177226-06310	1	ROPE, STARTER	
31	+	177227-42030	1	GUIDE, ROPE	
32	+	177228-27030	1	GRIP, STARTER	
33		900106-05020	2	BOLT, H.S. 5*20	
35		890118-17930	1	LABEL, ECHO	



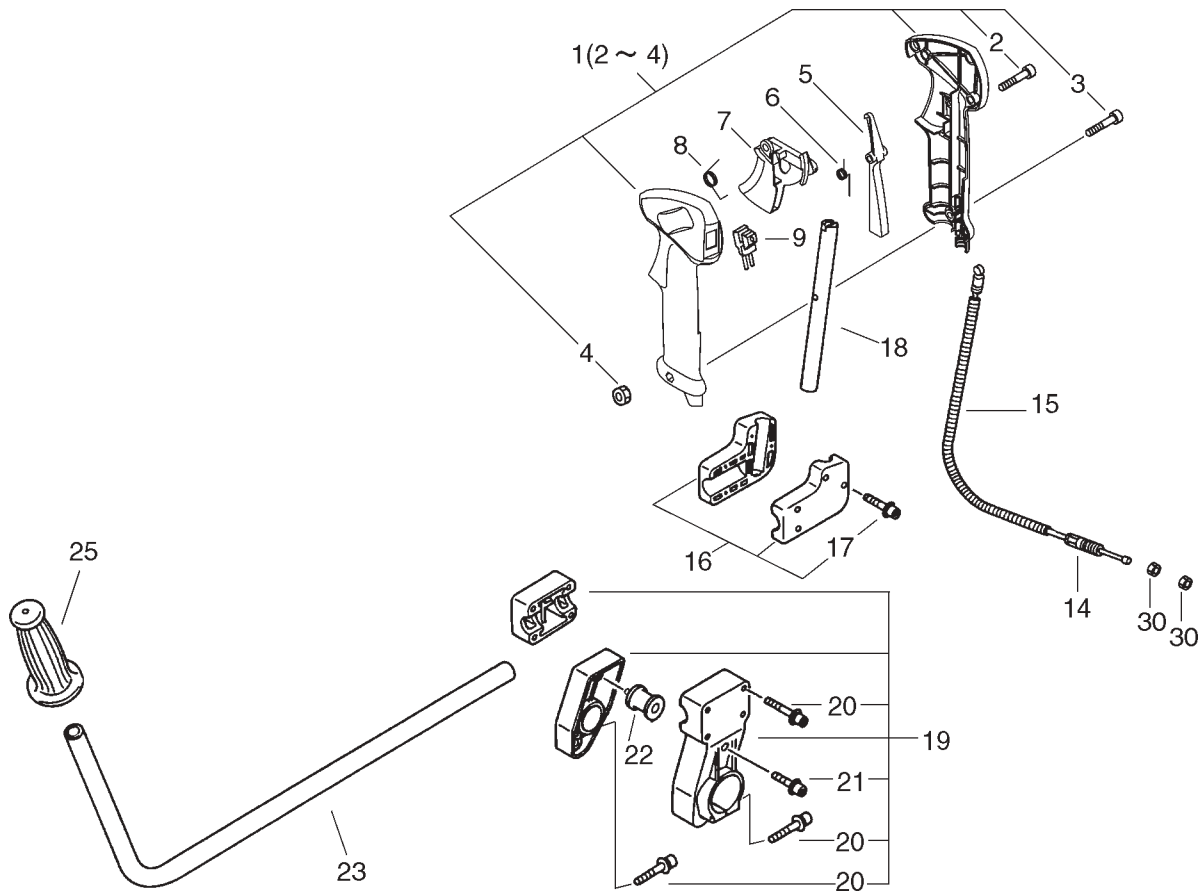
KEY	LV	PART NUMBER	Q'TY	DESCRIPTION	REMARKS
2		V103-000070	1	GASKET,INTAKE	
3		A200-000060	1	INSULATOR,INTAKE	
4		900106-05025	2	BOLT, H.S. 5*25	
5		V103-000080	1	GASKET,INTAKE	
9		A021-000590	1	CARBURETOR,DIAPHRAGM	
10		A235-000070	1	KNOB,CLEANER LID	
11		J485-000030	1	HINGE	
12		P021-002491	1	CASE, AIR CLEANER	
13		A244-000010	1	PLATE,PREVENT	
14		900105-05055	2	BOLT, H.S. 5*55	
15		A226-000080	1	ELEMENT,AIR FILTER	
16		900253-04008	1	SCREW 4*8	
17		A323-000000	1	PIECE,COVER	
18		A232-000100	1	LID,CLEANER	
19		V104-000240	1	GASKET,EXHAUST	
20		900162-05012	1	BOLT, H.S. 5*12	
22		V150-000550	1	PLATE,EYE	
23		900105-06060	2	BOLT, H.S. 6*60	
24		A320-000090	1	COVER,MUFFLER	
25		900106-05012	1	BOLT, H.S. 5*12	
26		P021-002870	1	MUFFLER ASY	
27	+	145862-40630	1	SCREEN, MUFFLER	
28	+	145866-42031	1	GASKET, MUFFLER LID	
29	+	A313-000300	1	GUIDE,EXH	
30	+	A313-000290	1	GUIDE,EXH	
31	+	900242-04010	3	SCREW 4*10	



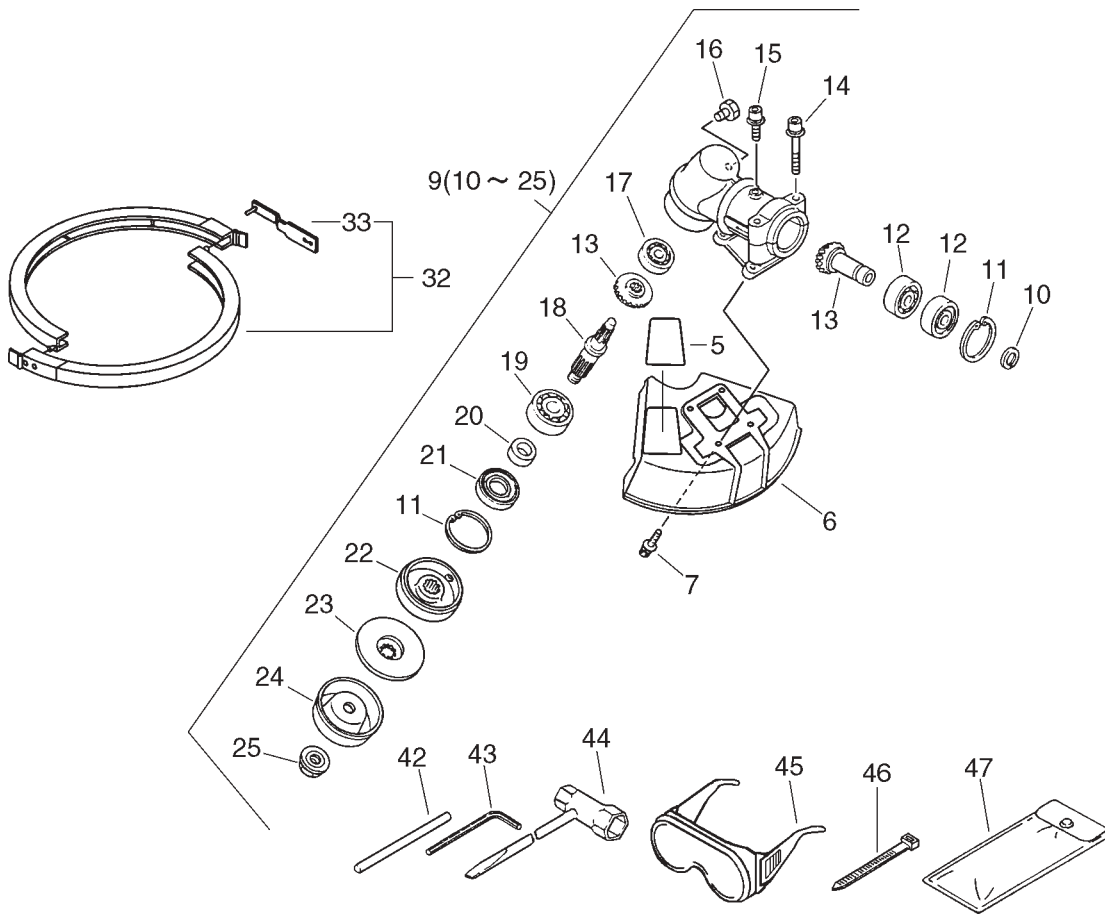
KEY	LV	PART NUMBER	Q'TY	DESCRIPTION	REMARKS
2		131004-55530	1	CAP ASY, FUEL TANK	
3	+	131016-55830	1	GASKET, FUEL CAP	
4	+	131051-56030	1	CLIP, FUEL CAP	
8		A393-000030	1	BRACKET, FUEL TANK	
9		900106-05012	4	BOLT, H.S. 5*12	
10		A390-000000	1	SEAT, FUEL TANK	
11		A350-000130	1	TANK, FUEL	
12		A390-000010	1	SEAT, FUEL TANK	
14		A393-000050	1	BRACKET, FUEL TANK	
16		900106-05020	2	BOLT, H.S. 5*20	
17		900106-05025	2	BOLT, H.S. 5*25	
20		132010-53630	1	PIPE	
21		437215-20760	1	PIPE 3*6*60	
22		131300-56430	1	VALVE, CHECK	
23		132013-26630	1	CLIP	
24		132012-02960	1	PIPE, FUEL	
25		132115-55930	1	GROMMET, FUEL	
26		132013-26630	1	CLIP	
27		131205-19830	1	STRAINER, FUEL	



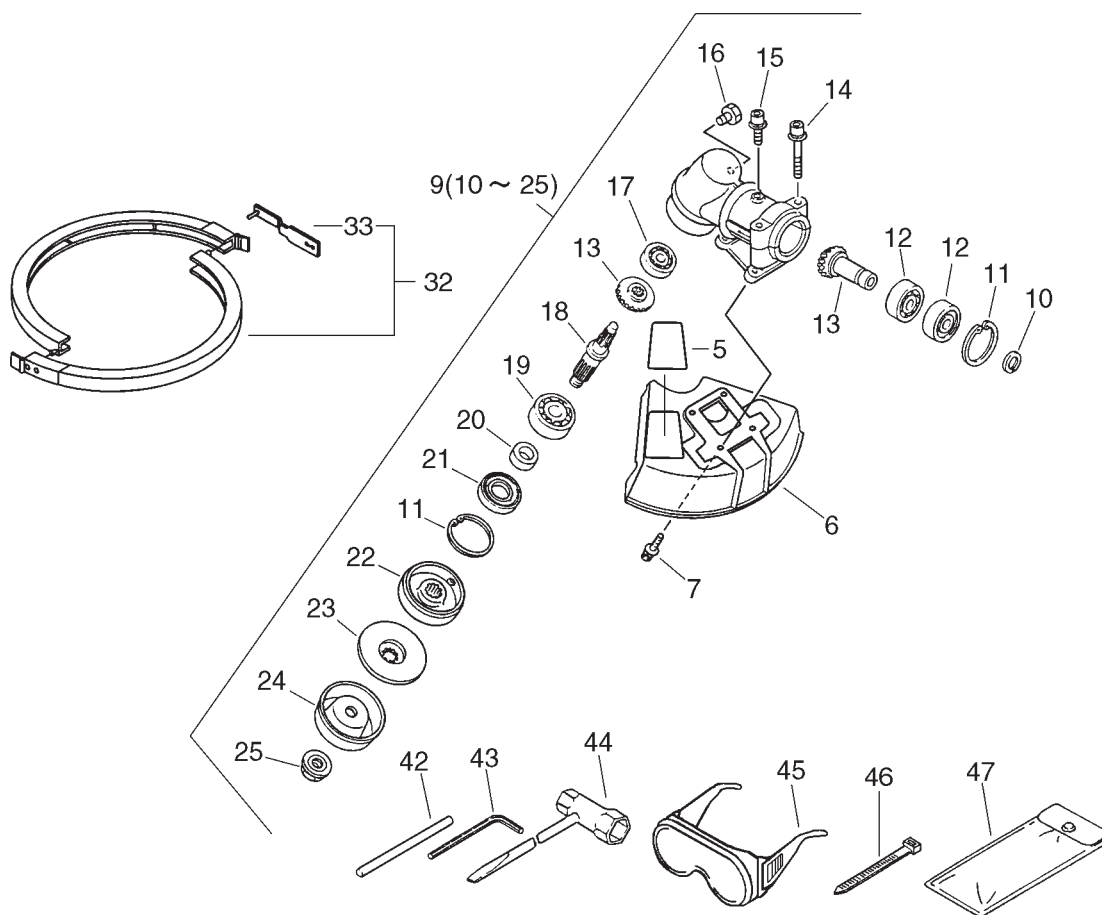
KEY	LV	PART NUMBER	Q'TY	DESCRIPTION	REMARKS
5		610011-47530	1	SHAFT, DRIVE	
12		890317-49030	1	LABEL, CAUTION	
13		610206-47531	1	HOUSING ASY, D.SHFT	
16		301205-47531	1	HOOK	
17	+	900162-05020	1	BOLT, H.S. 5*20	
19		610258-47530	1	SWIVEL, D.S.HOUS	
20		900162-05014	2	BOLT, H.S. 5*14	
21		A575-000030	1	FIXTURE, MAIN PIPE	
22		100905-51530	2	CUSHION	
23		900162-05035	1	BOLT, H.S. 5*35	
24		900162-05030	2	BOLT, H.S. 5*30	
25		A570-000040	1	CASE, CLUTCH	
26		900701-00015	1	CIRCLIP 15	
27		900819-06202	2	BEARING, BALL 6202	
28		900702-00035	1	CIRCLIP 35	
29		A556-000190	1	DRUM, CLUTCH	
30		900162-05025	4	BOLT, H.S. 5*25	
31		P021-004830	2	HOOK ASY	
32	+	900162-05022	2	BOLT, H.S. 5*22	
33	+	900516-00005	2	NUT, FRANGE 5	
35		301001-43232	1	HARNESS, SHOULDER	
36	+	P022-000880	2	SHOULDER, PROTECTION	
37	+	P022-000890	1	LOCKPLATES ORANGE	
38	+	P022-000900	1	HIP PAD COMPLETE	
39	++	P022-000910	1	HOOK	



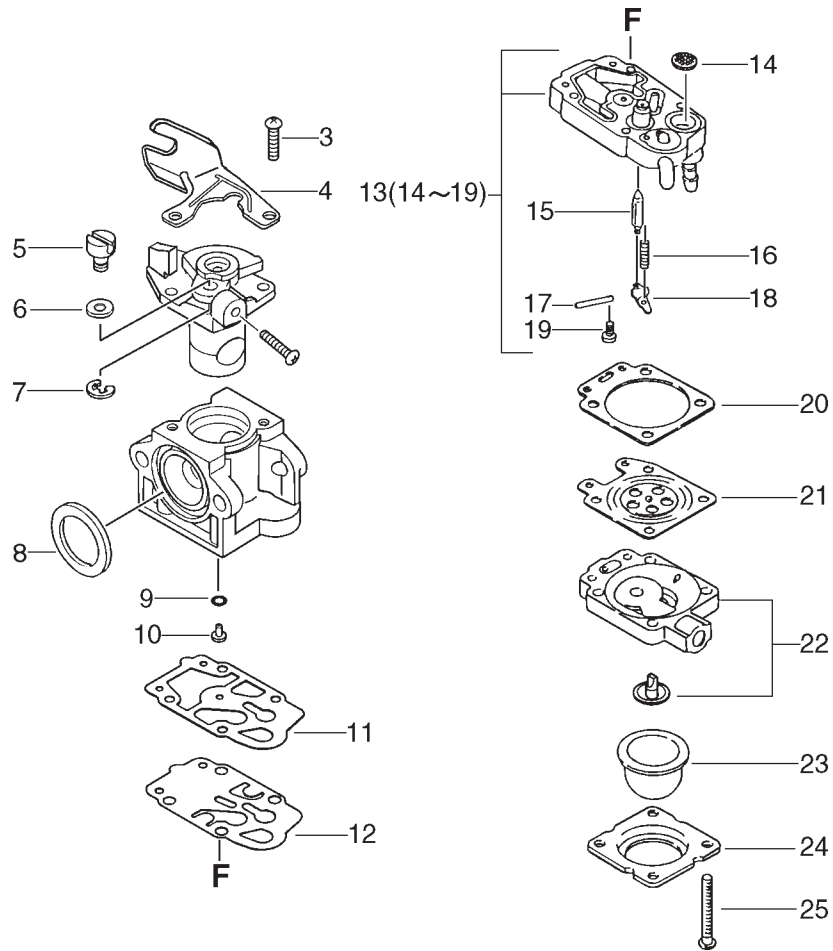
KEY	LV	PART NUMBER	Q'TY	DESCRIPTION	REMARKS
1		P021-002610	1	GRIP ASY,F-HANDLE	
2	+	900253-04016	3	SCREW 4*16	
3	+	900220-05030	1	SCREW 5*30	
4	+	900500-00005	1	NUT 5	
5		C460-000010	1	LOCKOUT,THROTTLE	
6		V452-000050	1	SPRING,TORSION	
7		C450-000020	1	TRIGGER,THROTTLE	
8		V452-000060	1	SPRING,TORSION	
9		A440-000240	1	SWITCH,ON OFF	
14		V430-000390	1	CABLE,BOWDEN	
15		178127-43230	1	TUBE	
16		351302-47530	1	BRACKET, HANDLE	
17	+	900162-05025	4	BOLT, H.S. 5*25	
18		351210-47530	1	HANDLE, REAR	
19		351301-47531	1	BRACKET, HANDLE	
20	+	900162-05035	6	BOLT, H.S. 5*35	
21	+	900162-05014	2	BOLT, H.S. 5*14	
22		100905-51530	2	CUSHION	
23		351321-47530	1	HANDLE, FRONT	
25		351213-47530	1	GRIP	
30		900502-00006	2	NUT 6 (3N)	



KEY	LV	PART NUMBER	Q'TY	DESCRIPTION	REMARKS
5		890168-41031	1	LABEL, CAUTION	
6		699010-54530	1	SHIELD, BLADE 9IN	
7		900162-05020	4	BOLT, H.S. 5*20	
9		610400-51530	1	HOUSING ASY, GEAR	
10	+	900701-00015	1	CIRCLIP 15	
11	+	900702-00035	2	CIRCLIP 35	
12	+	900810-06202	2	BEARING, BALL 6202	
13	+	610300-47530	1	GEAR SET	
14	+	900162-05035	2	BOLT, H.S. 5*35	
15	+	900162-05014	1	BOLT, H.S. 5*14	
16	+	610434-50031	1	BOLT 8* 8	
17	+	900800-06001	1	BEARING, BALL 6001	
18	+	610310-51530	1	SHAFT, P.T.O.	
19	+	900813-06202	1	BEARING, BALL 6202Z	
20	+	610334-06230	1	SPACER, OILSEAL	
21	+	610413-47530	1	OILSEAL IS 20 35 7	
22	+	610313-47530	1	PLATE, ADAPTER PD20	
23	+	610314-51530	1	PLATE, ADAPTER	
24	+	610352-47530	1	PLATE, CUP	
25	+	610320-47530	1	NUT, LOCK	
32		898503-54530	1	SCABBARD, BLADE 9"	
33	+	898562-22530	2	FIXTURE, SCABBARD	
42		897518-01131	1	LOCKING TOOL	
43		895610-00130	1	L-WRENCH (4MM)	



KEY	LV	PART NUMBER	Q'TY	DESCRIPTION	REMARKS
44		895410-08030	1	WRENCH, W/S. DRIVER	
45		899580-68730	1	SAFETY GLASSES	
46		178121-43230	1	BAND	
47		898510-39130	1	BAG, TOOL	



KEY	LV	PART NUMBER	Q'TY	DESCRIPTION	REMARKS
		A021-000590	1	CARBURETOR,DIAPHRAGM	
3	+	123114-40630	2	SCREW	
4	+	P003-000180	1	BRACKET CABLE	
5	+	123172-45130	1	SWIVEL	
6	+	123149-54230	1	WASHER	
7	+	123173-07930	1	CLIP	
8	+	123143-12110	1	RING, PACKING	
9	+	123183-40630	1	O-RING	
10	+	P003-000530	1	JET	
11	+	123125-40630	1	GASKET, PUMP	
12	+	123112-40630	1	DIAPHRAGM, PUMP	
13	+	P003-000510	1	BODY ASSEMBLY, PUMP	
14	++	123126-10631	1	SCRÉEN, INLET	
15	++	123137-19830	1	VALVE, INLET NEEDLE	
16	++	123122-05560	1	SPRING, METER. LEVER	
17	++	123138-03930	1	PIN, METÉRING LÉVER	
18	++	123123-03930	1	LEVER, METERING	
19	++	123139-05560	1	SCREW, M. LEVER PIN	
20	+	123140-05560	1	GASKET, M. DIAPHRAGM	
21	+	P003-000090	1	METERING, DIAPHRAGM	
22	+	123180-05560	1	BODY, AIR PURGE	
23	+	123181-40630	1	PUMP, PRIMER	
24	+	123142-05560	1	COVER, PRIMER PUMP	
25	+	123110-05560	4	SCREW, PUMP COVER	

KEY	LV	PART NUMBER	Q'TY	DESCRIPTION	REMARKS
		P021-003370	1	GASKET KIT	
1-4		V100-000040	1	GASKET,CYL	
1-20		V102-000001	1	GASKET,CRANKCASE	
3-2		V103-000070	1	GASKET,INTAKE	
3-5		V103-000080	1	GASKET,INTAKE	
3-19		V104-000240	1	GASKET,EXHAUST	
3-28		145866-42031	1	GASKET, MUFFLER LID	