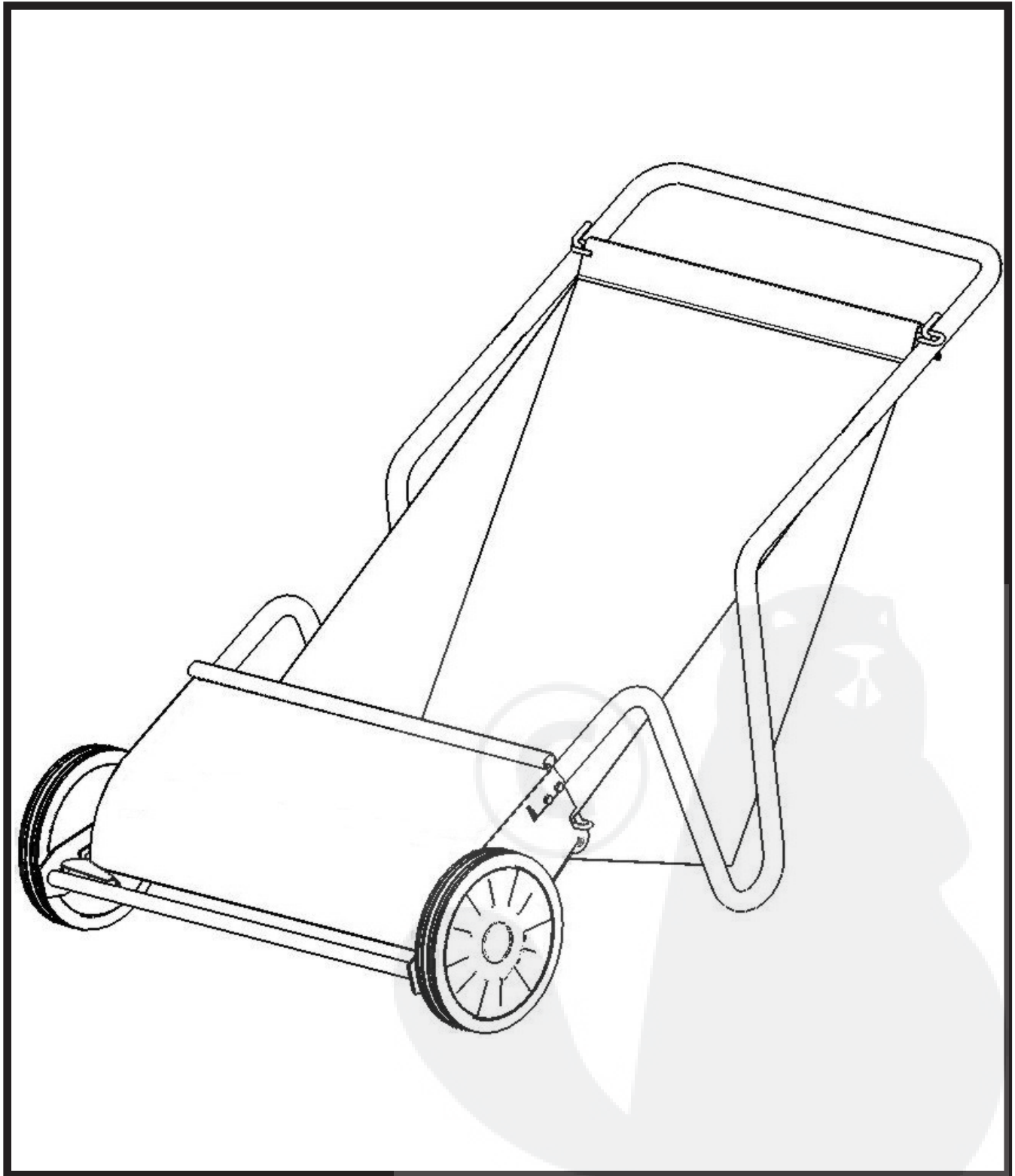


SW26PRE - 26" Lawn Sweeper



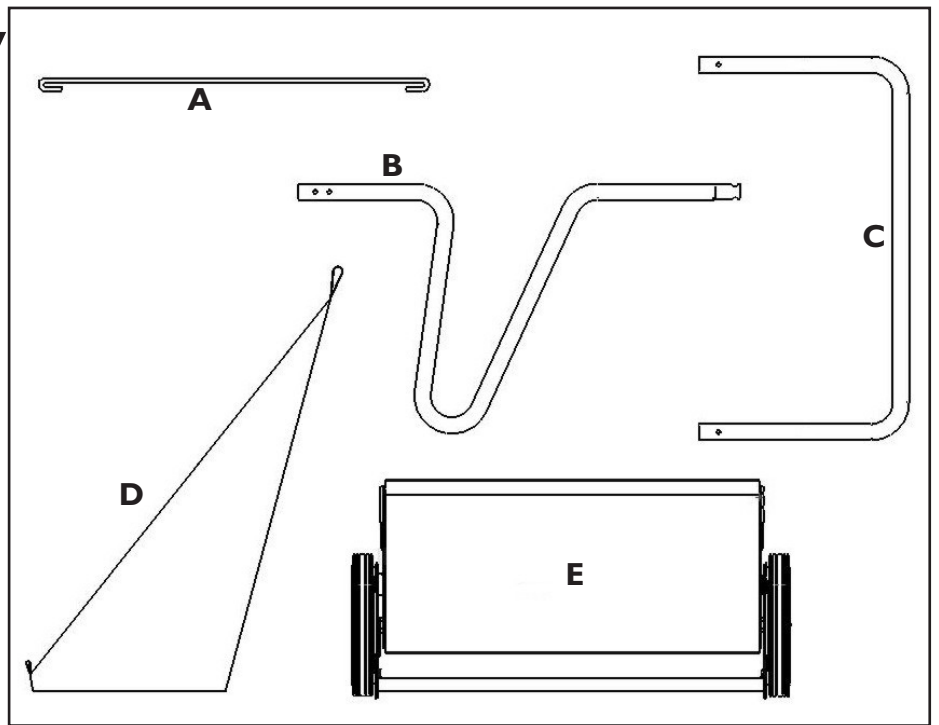
Owner's Manual and Parts List
Precision Products, Inc.

SW26PRE Assembly

Assembly Components

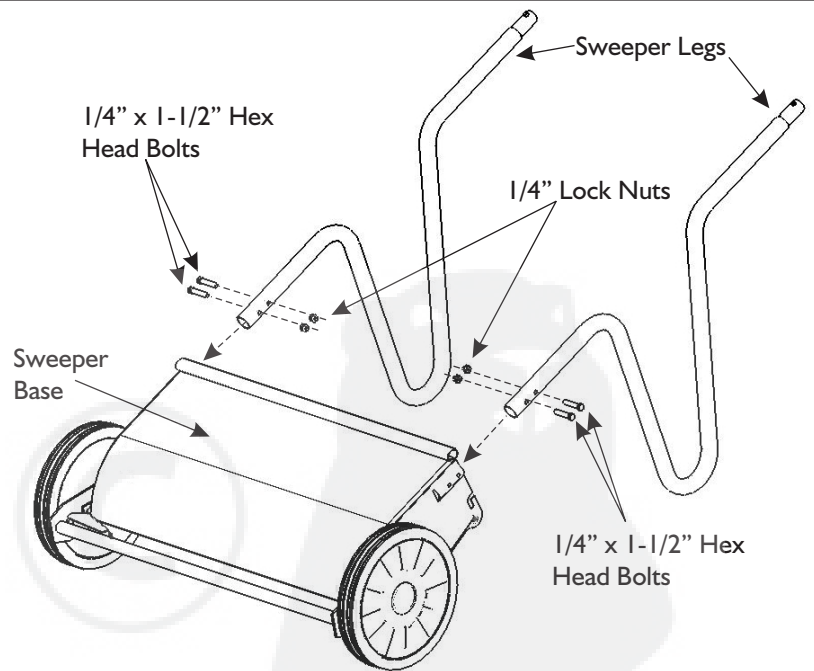
- A. Hamper Rod (2)
- B. Sweeper Leg (2)
- C. Top Handle (1)
- D. Hamper (1)
- E. Sweeper Base (1)

Tools Required For Assembly:
Two - 7/16" Wrenches



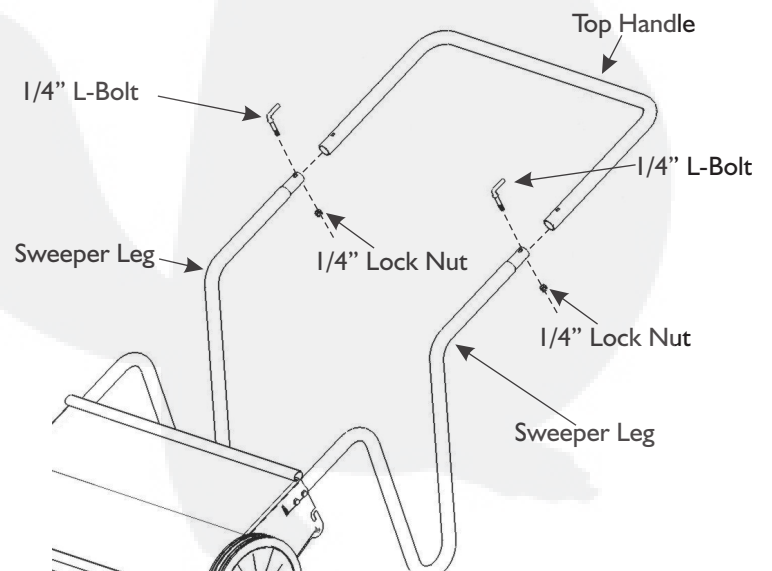
Step 1

Attach the two Sweeper Legs to the Sweeper Base using four (4) 1/4" x 1-1/2" Hex Head Bolts. Secure these bolts with four 1/4" Lock Nuts.



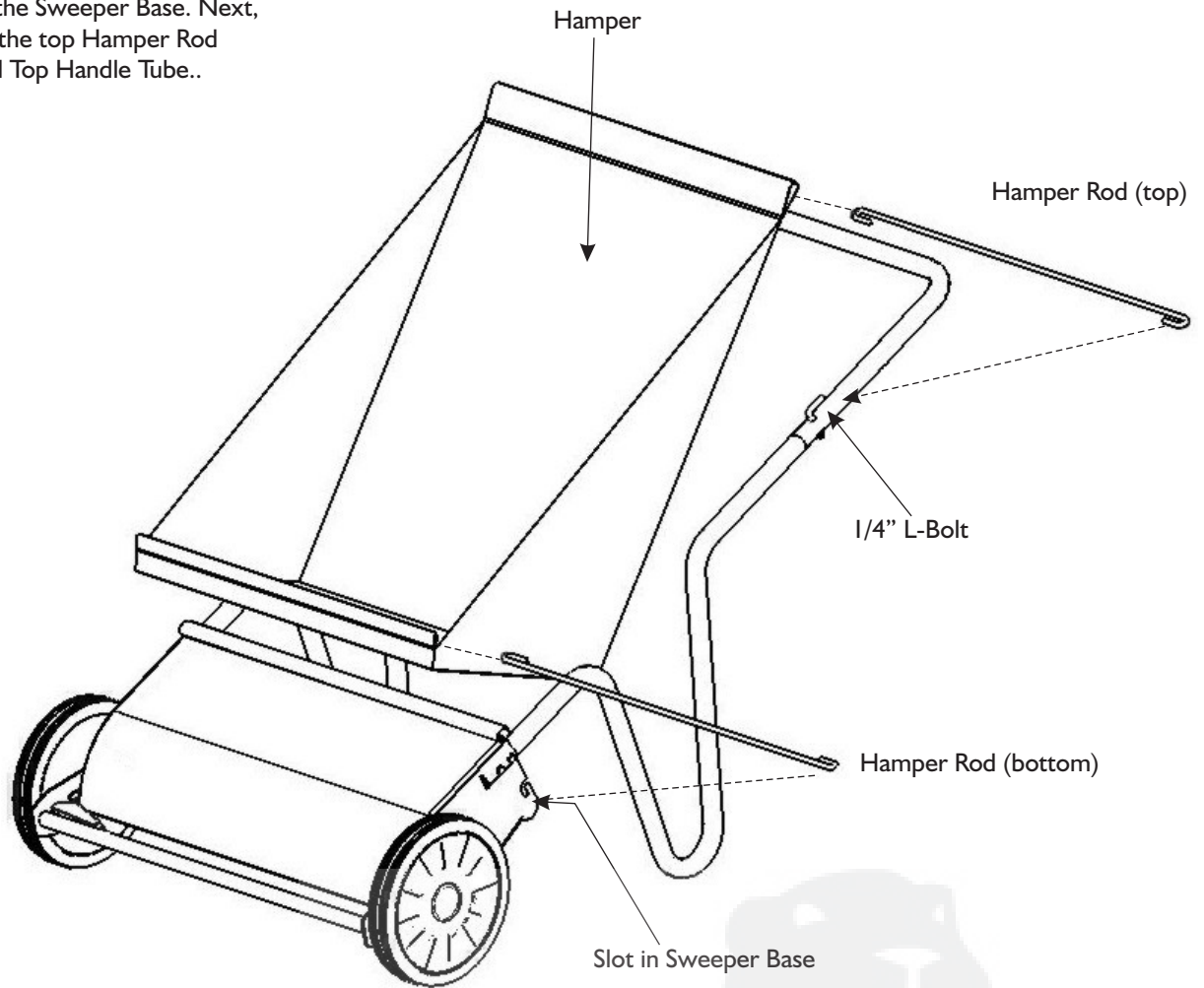
Step 2

Attach the Top Handle to both ends of the Sweeper Legs using 1/4" L-Bolts and 1/4" Lock Nuts.



STEP 3

Insert the Hamper Rods through the loop of fabric on both ends of the Hamper. Insert the bottom Hamper Rod into the slots on both sides of the Sweeper Base. Next, stretch the Hamper and place the top Hamper Rod in between the 1/4" L-Bolt and Top Handle Tube..



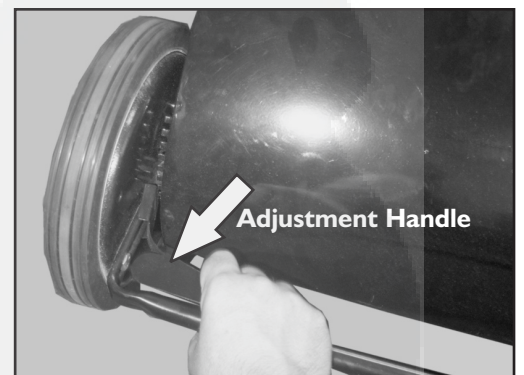
HOW TO USE YOUR SW26PRE SWEEPER

Brush Height Adjustment:

Simply pull in on the Adjustment Handle and move up or down to move brushes up and down to desired height. The most effective way to sweep debris up is to have the brush tips barely touching the tops of grass blades or pavement. If the unit seems to push "too hard", move the adjustment bar one notch higher.

Dumping Hamper:

The Hamper is easily dumped by removing the (top) Hamper Rod from both L-Bolts on the Top Handle and removing the (bottom) Hamper Rod from both sides of the Sweeper Base. Pull the Hamper assembly out from the unit and dump where desired. Return the Hamper assembly to the sweeper unit to continue sweeping.



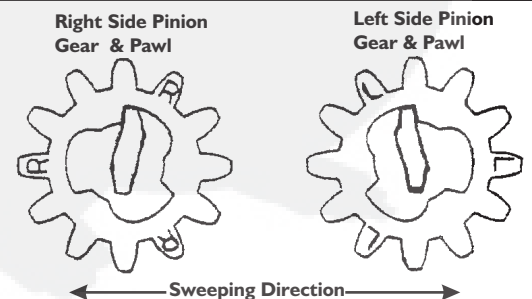
DO NOT LUBRICATE THIS UNIT!

The sweeper bearings are pre-lubricated and sealed prior to assembly. No other lubrication is needed for this unit.

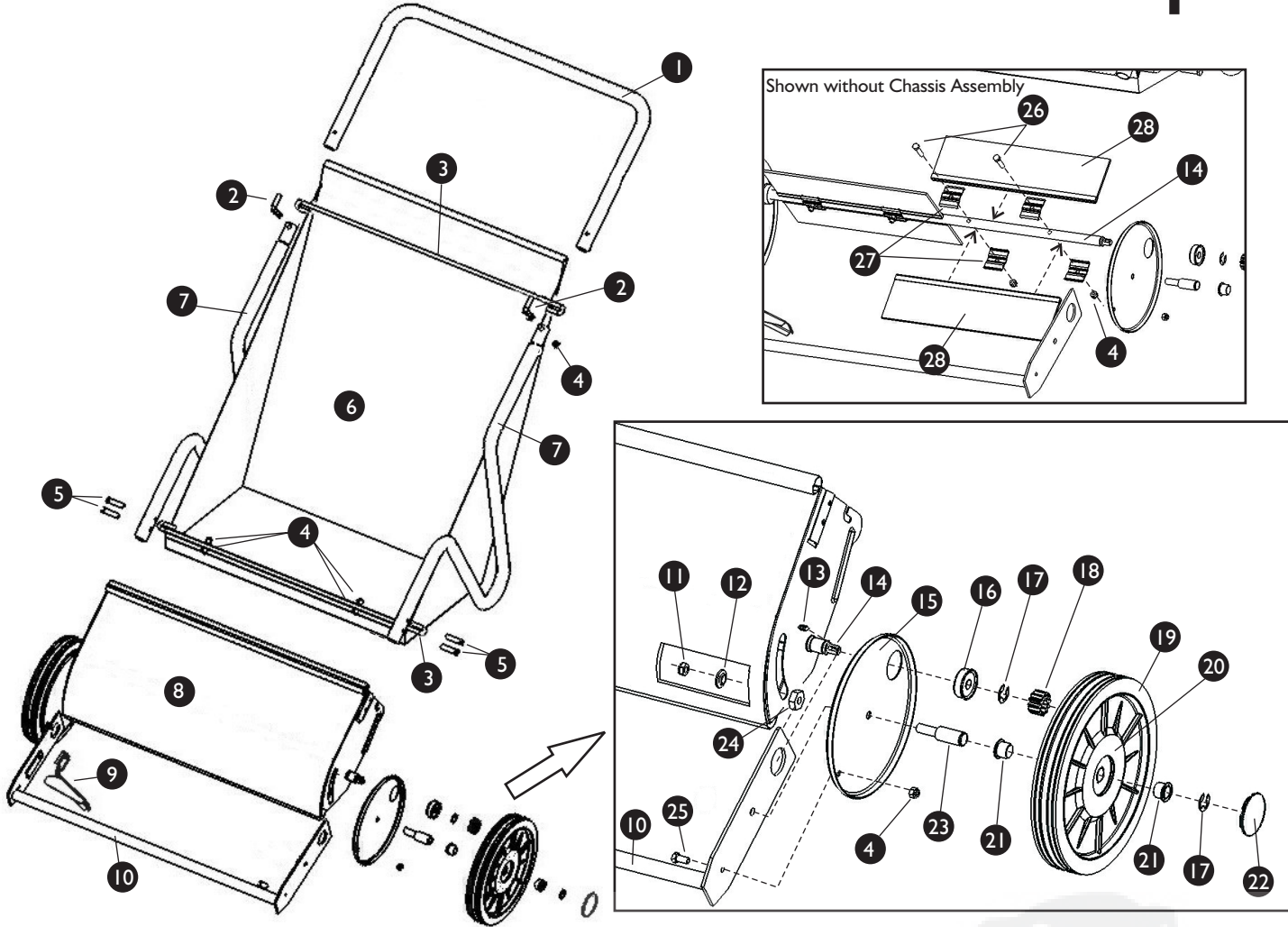
DO NOT GREASE OR OIL THE GEARS IN THE WHEELS.

If you put grease or oil on these the brush **WILL NOT WORK.**

If you do add a lubrication, simply wipe the wheels and pinions clean of all grease or oil.



Parts List for SW26PRE Lawn Sweeper



Ref. #	Part #	Part Description	Qty.	Ref. #	Part #	Part Description	Qty.
1	2062	Top Handle	1	15	2069	Wheel Shield	2
2	2060	1/4" L-Bolt	2	16	1770	Flange Bearing	2
3	2063	Hamper Rod	2	17	1768	5/8" E-Type Snap Ring	4
4	1778	1/4" Lock Nut	14	18	2077	Pinion Gear	2
5	6129	1/4" x 1-1/2" Hex Head Bolt	4	19	2037	Tire	2
6	2079	Hamper	1	20	2078	Rim	2
7	2065	Sweeper Leg	2	21	2035	Wheel Bushing	4
8	2055	Chassis Assembly	1	22	1769	Plastic Hub Cap	2
9	2043	Adjustment Handle	1	23	2041	Stub Axle	2
10	2066	Bumper Assembly	1	24	2042	3/8" Spacer Nut	2
11	1771	3/8" Lock Nut	2	25	1643	1/4" x 3/4" Hex Head Nut	2
12	1773	3/8" Pilot Nut	2	26	1660	1/4" x 1-1/4" Hex Head Bolt	4
13	2067	Pinion Pawl	2	27	2049	Brush Clamp	8
14	2068	Brush Axle	1	28	2048	Brush Strip	4

Customer Service & Warranty Information

PLEASE DO NOT RETURN THIS MERCHANDISE TO THE STORE. CALL US AND WE WILL TAKE CARE OF ANY PROBLEM YOU MIGHT HAVE WITH THIS PRODUCT. Phone (800) 225 - 5891 EXT. #204

When ordering parts always give model number, part description & part number.

Send To: Precision Products, Inc.
 Parts Division **Phone** (217) 735-1590
 316 Limit Street **Fax** (217) 735-2435
 Lincoln, IL 62656

On the World Wide Web At: www.precisionprodinc.com

LIMITED WARRANTY

This unit is warranted against defects in materials and workmanship to the original purchaser, under normal use and service, for a period of ninety (90) days from date of sale. During the Warranty Period, we will repair or replace at our option free of charge to the original purchaser, any part of the Unit that our examination shows to be defective in workmanship or materials. This Warranty **Does Not** apply to damage caused by misuse, abuse, neglect, accident, normal wear, or alterations by unauthorized persons.