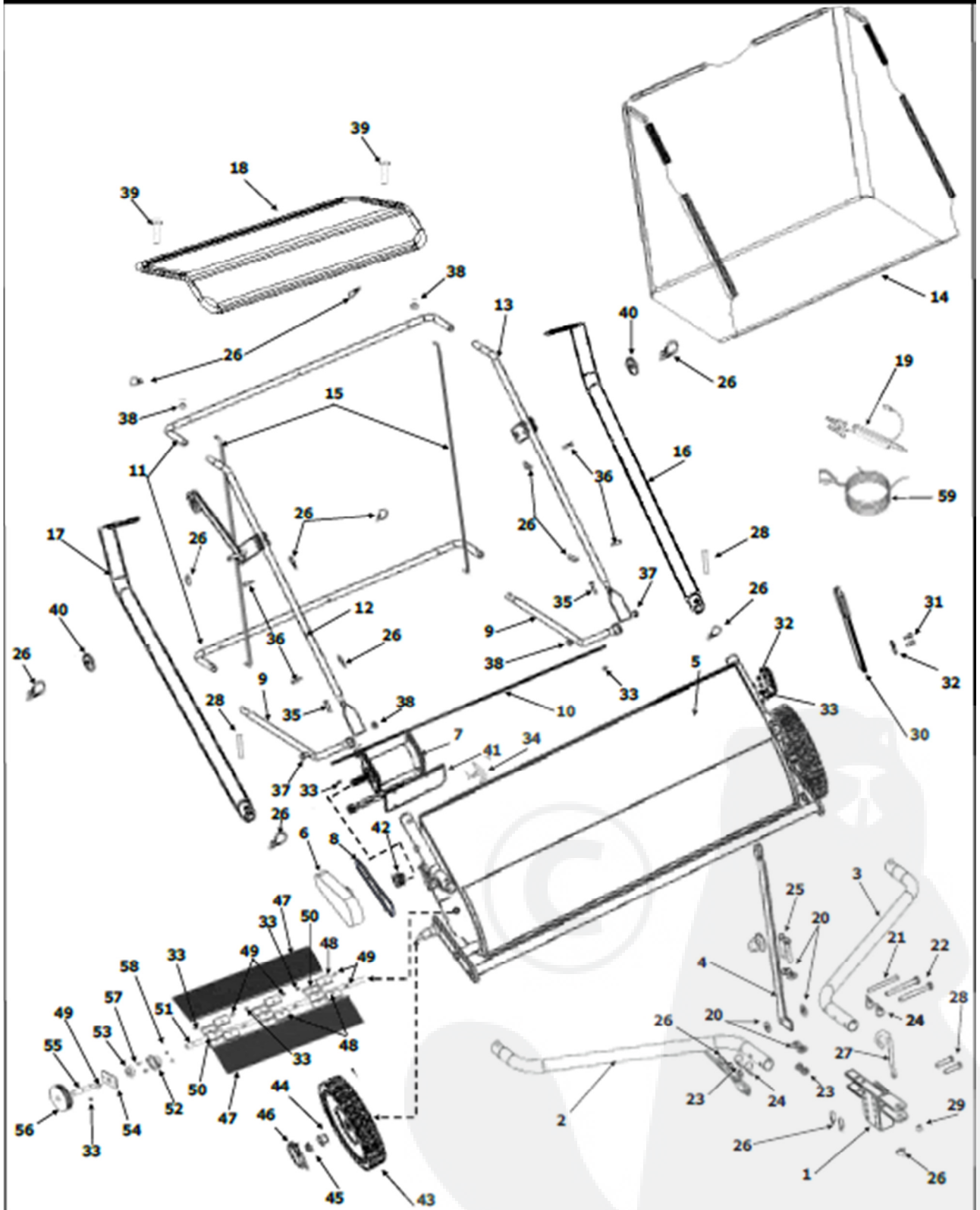


# XBIES100

## PARTS ILLUSTRATION



# XBIES100

## PARTS LIST

Ref No.	Qty.	Description	Ref No.	Qty.	Description
1	1	Clevis Assembly	40	2	M10 Fender Washer
2	1	RH Hitch Arm	41	1	Motor Mounting Plate
3	1	LH Hitch Arm	42	1	Motor Small Gear
4	1	Pulley Bar Assembly	43	2	Wheel
5	1	Chassis Assembly	44	2	Bronze Bushing
6	1	Belt Cover	45	2	M10 Nylock Jam Nut
7	1	Electric Motor	46	2	Dust Cap
8	1	Belt	47	4	Brush
9	2	Lower Hopper Side Tube	48	12	Upper Clamp Half
10	1	Bag Frame Strap	49	13	M6 x 30 Hex Screw
11	2	Rear Hopper Tube	50	6	Lower Clamp Half
12	1	RH Upper Side Hopper Tube	51	1	Axle
13	1	LH Upper Side Hopper Tube	52	2	Brush Shaft Bearing Housing
14	1	Hopper Bag	53	2	Brush Shaft Bearing
15	2	Support Rods	54	1	Bearing Cover Drive Side
16	1	LH Bag Arm Tube	55	1	Axle Coupler Drive Side
17	1	RH Bag Arm Tube	56	1	Brush Drive Gear
18	1	Catch Lid	57	4	M6 x 14 Hex Screw
19	1	Wire Harness	58	4	M6 Nylock Jam Nut
20	6	M10 Flat Washer	59	1	Hopper Rope
21	1	Clevis Pin 10 x 85mm			
22	2	M10 x 100 Hex Head Bolt			
23	6	M10 Nylock Nut			
24	4	M10 Curved Washers			
25	2	M10 x 60 Hex Head Bolt			
26	16	Hitch Pin Clip #10			
27	1	Hitch Pin			
28	4	M10 x 45 Clevis Pin			
29	1	Short Spacer			
30	1	Height Adjustment Handle			
31	2	M6 x 20 Hex Head Bolt			
32	4	M6 Flat Washer			
33	23	M6 Nylock Nut			
34	1	Motor Mounting Plate Right			
35	2	M6 x 45 Hex Head Bolt			
36	4	M6 x 30 Clevis Pin			
37	2	M8 x 20 Hex Head Bolt			
38	4	M8 Nylock Nut			
39	2	M8 x 40 Hex Head Bolt			

Not All Parts Shown