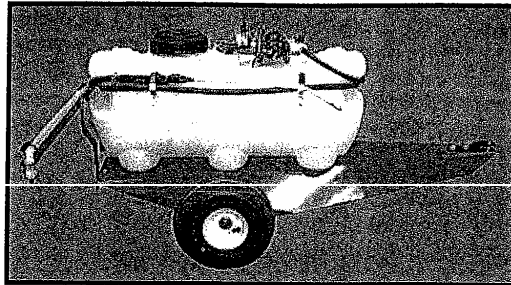


TCT15 Trailer Sprayer

TCT15RT ASSEMBLY INSTRUCTIONS & PARTS LIST

373



NV EUROCARDEN SA
 Sint-Truidensesteenweg 252
 B-3300 Tenen - Belgium
 Tel. ++32-16-80 54 32
 Fax ++32-16-80 54 38



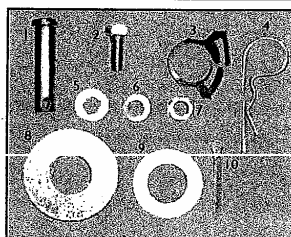
PRECISION PRODUCTS, INC.

Assembly Instructions

Tools needed for assembly:

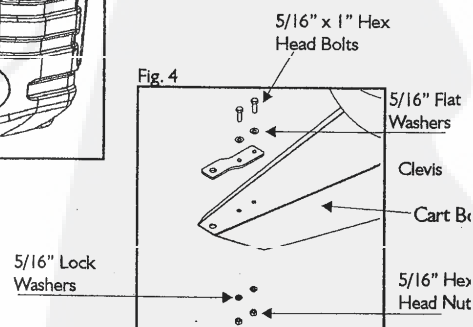
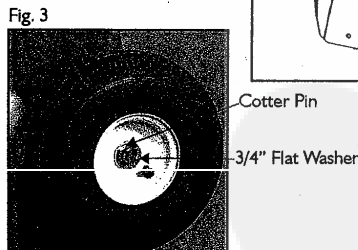
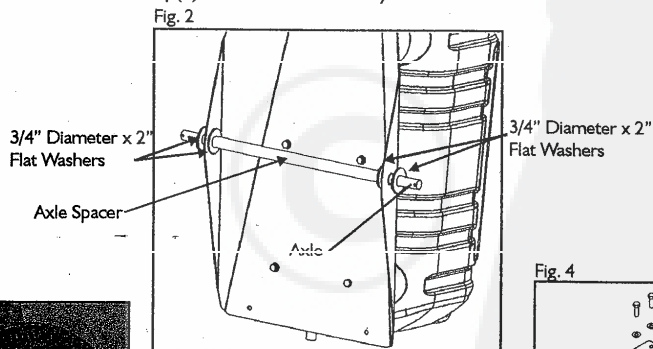
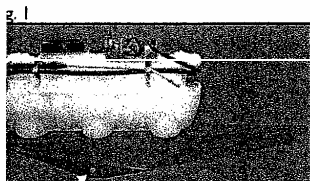
- Two 1/2" wrenches
- 1 pair Channel Lock Pliers
- 1 pair Needle Nose Pliers

Assembly Hardware

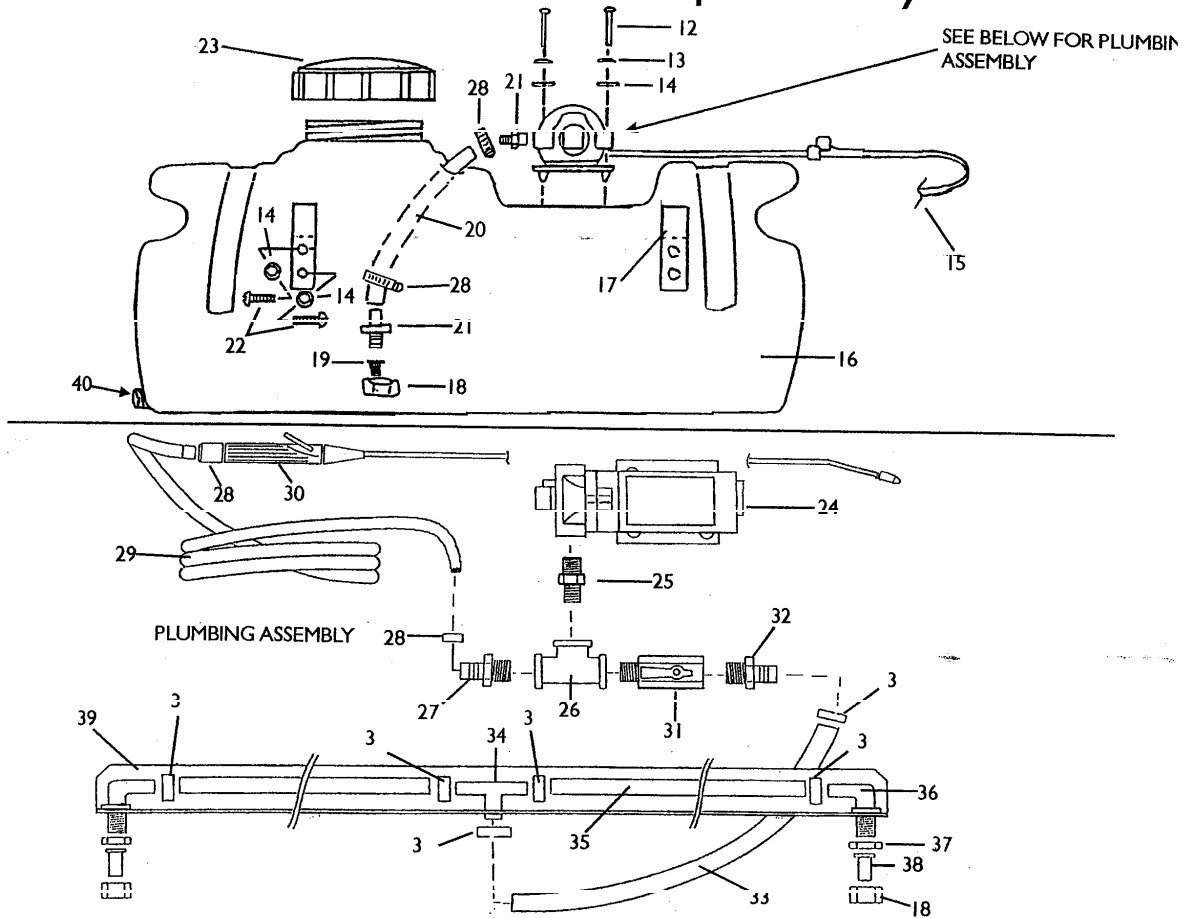


Ref. No.	Part No.	Part Description	Hardware Sack Qty.
1	1840	1/2" x 1-3/4" Clevis Pin	1
2	1248	5/16" x 3/4" Hex Head Bolt	6
3	3716	1/2" Plastic Hose Clamp	1
4	1042	#14 Hitch Pin Clip	1
5	1044	5/16" Flat Washer	6
6	1276	5/16" Lock Washer	6
7	1275	5/16" Hex Head Nut	6
8	3739	3/4" In Diam. x 2" Flat Washer	4
9	1264	3/4" Flat Washer	2
10	1262	1/8" x 1-1/4" Cotter Pin	2

STEP 1 Insert Axle through Axle Slot on Cart Body. Once the Axle is through the hole, slide on one 3/4" x 2" Flat Washer(8) then the Axle Spacer(46), then slide the Axle through to the end of the Axle Spacer. Add another 3/4" x 2" Flat Washer (inside of the Sprayer Cart body) and push the Axle through the other hole on the Cart Body. Once the Axle is through the second hole, slide on a 3/4" ID x 2" Flat Washer(8), (Fig.2). Now slide on a wheel followed by a 3/4" Flat Washer(9) and then secure with a Cotter Pin(10). Repeat this for both Wheels. Use Needle Nose Pliers to bend back ends of the Cotter Pin,(Fig.3). Repeat for other side. Using 5/16" x 3/4" Hex Head Bolts(2), 5/16" Flat Washers(6), 5/16" Lock Washers(7), and 5/16" Hex Head Nuts(8) attach Clevis, (44), (on top side of Cart Body) to the Cart Body (Fig. 4). Tighten Bolts with 1/2" wrenches. Insert Clevis Pin(1) through Clevis and secure with #14 Hitch Pin Clip(3) underneath Cart Body.



Parts List for Pump Assembly

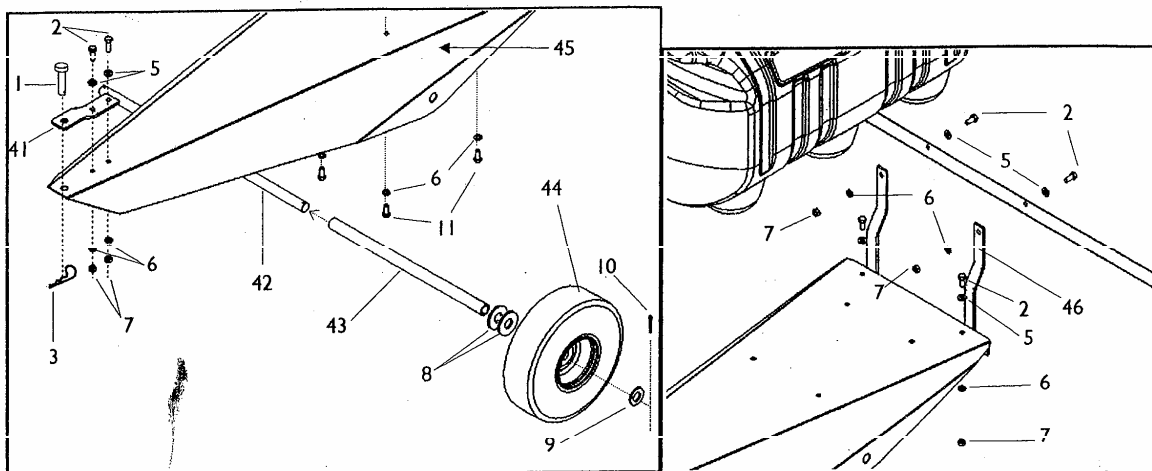


Ref.	Part Description	Part Number	Qty.	Ref.	Part Description	Part Number
3	1/2" Plastic Hose Clamp	3716	6	29	Hose, 3/8" rubber 12'	3615x
12	Screw, round head, 10-24 x 1-1/4"	3604	4	30	Hand Gun	3611
13	#10 Flat Washer (10FWZP)	3605	8	31	Ball Valve, 1/4"	3730
14	3/16" Lock Washer	2987	8	32	Hose Barb 1/4" MPT x 1/2"	3729
15	Electric lead (1 Black 1 Red)	3732	1	33	Hose, 1/2" Clear PVC x 40"	3722x
16	15 Gallon Sprayer Tank	3614	1	34	Nylon Hose Tee, 1/2" x 1/2"	3723
17	Hose Holder Bracket	3612	2	35	Hose, 1/2" Clear PVC x 19-1/4"	3722x
18	Nylon Cap	3620	3	36	Nylon Nozzle Fitting	3725
19	Strainer*	3619	3	37	Nylon Nut for Nozzle	3725
20	Hose, 3/8" rubber, 2'	3777	1	38	Nozzle, Kematal flood	3719
21	3/8" MPT x 3/8" Hose Barb	3607	2	39	Boom	3724B
22	Screw, round head, 10-24 x 1/2"	3613	4	40	Drain Cap W/Washer	3733
23	Tank Lid - Ace	3601	1			
24	Pump Electric: Check Model Number					
	Models TCT15-12V (1.0 W/O Switch)	3655	1			
	Models TCT15RT-12V (1.0 W/ Switch)	3656	1			
25	3/8" MPT x 1/4" MPT Nipple	3728	1			
26	Nylon Tee, 1/4"	3718	1			
27	Hose Barb 1/4" MPT x 3/8"	3731	1			
28	3/8" Stainless Steel Clamp	3633	4			

*The strainers for boom assembly are located inside part number 39-Nylon Nozzle Fitting.

**Part quantities reflect pieces assembled at factory and those in hardware sack.

Cart Body Assembly Parts



Ref.	Part Description	Part Number	Qty.	Ref.	Part Description	Part Number	Qty.
1	1/2" x 1-3/4" Clevis Pin	1840	1	41	Clevis	1243P	1
2	5/16" x 3/4" Hex Head Bolt	1248	6	42	Axle	3769	1
4	#14 Hitch Pin Clip	1042	1	43	Axle Spacer	3767	1
5	5/16" Flat Washer	1044	6	44	8" Pneumatic Wheel for TCT	3768	2
6	5/16" Lock Washer	1276	6	45	TCT Cart Body	3740R	1
7	5/16" Hex Head Nuts	1275	6	46	Boom Mount	3766R	1
8	3/4" Diameter x 2" Flat Washer	3739	4				
9	3/4" Flat Washer	1264	2				
10	1/8" x 1-1/4" Cotter Pin	1262	2				
11	5/16" x 1/2" Hex Head Bolt	1249	4				

****Part quantities includes pieces assembled at factory and those in hardware sack.**

PLEASE DO NOT RETURN THIS MERCHANDISE TO THE STORE. CALL US AND WE WILL TAKE CARE OF ANY PROBLEM YOU MIGHT HAVE WITH THIS PRODUCT. Phone (800) 225 - 5891 EXT. #204

The electric pump on this model has its own warranty. Precision Products, Inc. does not carry a warranty on the pump. Please refer to the parts list and operation manual for the pump included with this model.

Customer Service

When ordering parts, always give model number, part description, & part number.

Send To: Precision Products, Inc.
 Parts Division **Phone (217)735-1590**
 316 Limit Street **Fax (217)735-2435**
 Lincoln, IL 62656

or visit us on the world wide web :www.precisionprodinc.com

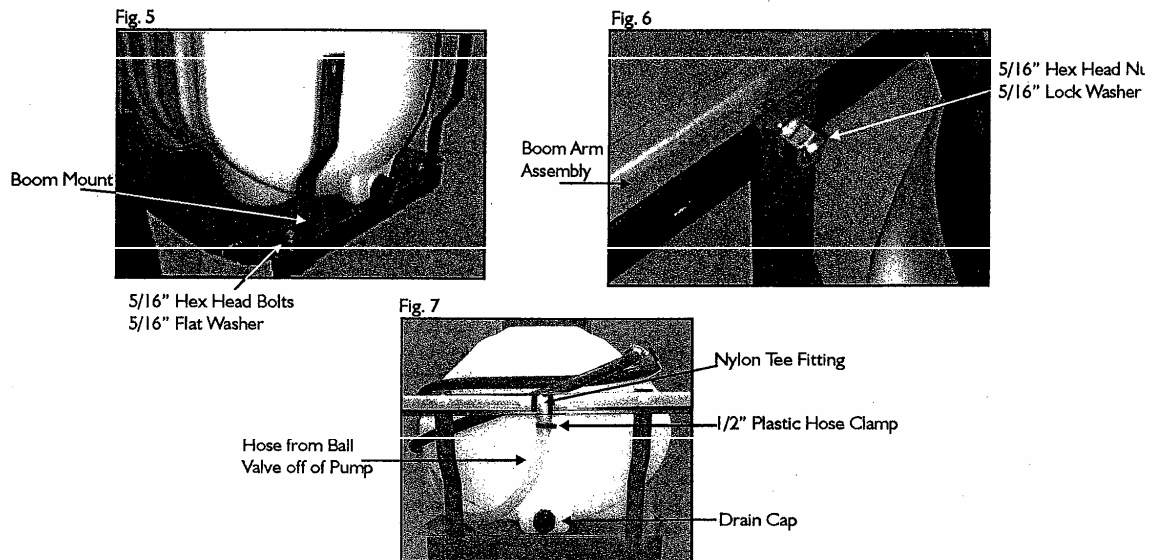
LIMITED WARRANTY

This unit is warranted against defects in materials and workmanship to the original purchaser, under normal use and service, for a period of ninety (90) days from date of sale. During the Warranty Period, we will repair or replace at our option free of charge to the original purchaser, any part of the Unit that our examination shows to be defective in workmanship or materials. This Warranty **Does Not** apply to damage caused by misuse, abuse, neglect, accident, normal wear, or alterations by unauthorized persons.

PRECISION PRODUCTS, INC.

Assembly Instructions Continued

STEP 2 Attach Boom Mount to Cart Body using 5/16" x 3/4" Hex Head Bolts(2), 5/16" Flat Washers(5), 5/16" Lock Washers(6) and 5/16" Hex Head Nuts (7),(Fig.5). Attach Boom Arm Assembly to Boom Mount using 5/16" x 3/4" Hex Head Bolts(2), 5/16" Flat Washers(5), 5/16" Lock Washers(6) and 5/16" Hex Head Nuts(7), (Fig. 6). Tighten all four Bolts with the 1/2" wrenches. Attach the hose leading from the pump to the Nylon Tee Fitting on the Boom Arm Assembly. Push the hose on the barbs on fitting and secure with 1/2" Plastic Hose clamp (3),using channel lock pliers. (Fig.7).



Introduction

Your sprayer has been manufactured to provide the maximum in dependable efficient use. Proper operation and maintenance will ensure long satisfactory service. Study this manual carefully to become familiar with the operation and maintenance instructions.

Keep your manual in a safe, convenient place for future reference. Always mention the model and part number in any correspondence. To insure correct parts service be sure to use part number and description when ordering.

Operation

Operating power is obtained from a 12 volt direct source or cigarette lighter plug. Be sure to connect the red to the positive (+) source and attach the black to the negative (-) source.

IMPORTANT: Before spraying chemicals, fill the tank full of plain water to allow familiarization with the sprayer and to prevent waste of expensive chemicals.

Sprayer Maintenance

A sprayer is a carefully designed and built machine that should provide many years of reliable service if properly cared for. The main rule in caring for any sprayer is: **KEEP IT CLEAN.** Neglect costs dollars in repairs, wasted spray material and premature replacement of the sprayer.

Cleaning & Storage

Most spray materials are highly corrosive. The most important aspect of long dependable service from the sprayer is a thorough cleaning immediately following each use. In addition, the residue of one type of chemical could cause an undesirable effect when a different chemical is used for a different purpose.

The most effective cleaning method is to pump several rinses of clean water through the tank, pump, hoses, boom, spray gun, etc. A neutralizing agent such as a solution of Nutra-Sol, a detergent or household ammonia as recommended by the chemical manufacturer can assist in removal of a persistent chemical. When the system is thoroughly cleaned drain the tank, suction line, pump, hoses, etc.

The following steps should be followed for the maintenance and storage of your sprayer.

1. Wash and flush out sprayer after completion of each phase of your program. Flush out sprayer when changing chemicals if there is a possibility of the chemicals being incompatible. Use of a detergent is advisable if the chemical manufacturer does not make specific cleaning recommendations. Flush system completely, including nozzles. Never use metal objects to open clogged nozzles.
2. Clean sprayer thoroughly before storing at the end of the spraying season. Permanent type anti-freeze added to the final rinse will leave a rust inhibiting film in parts of the sprayer.