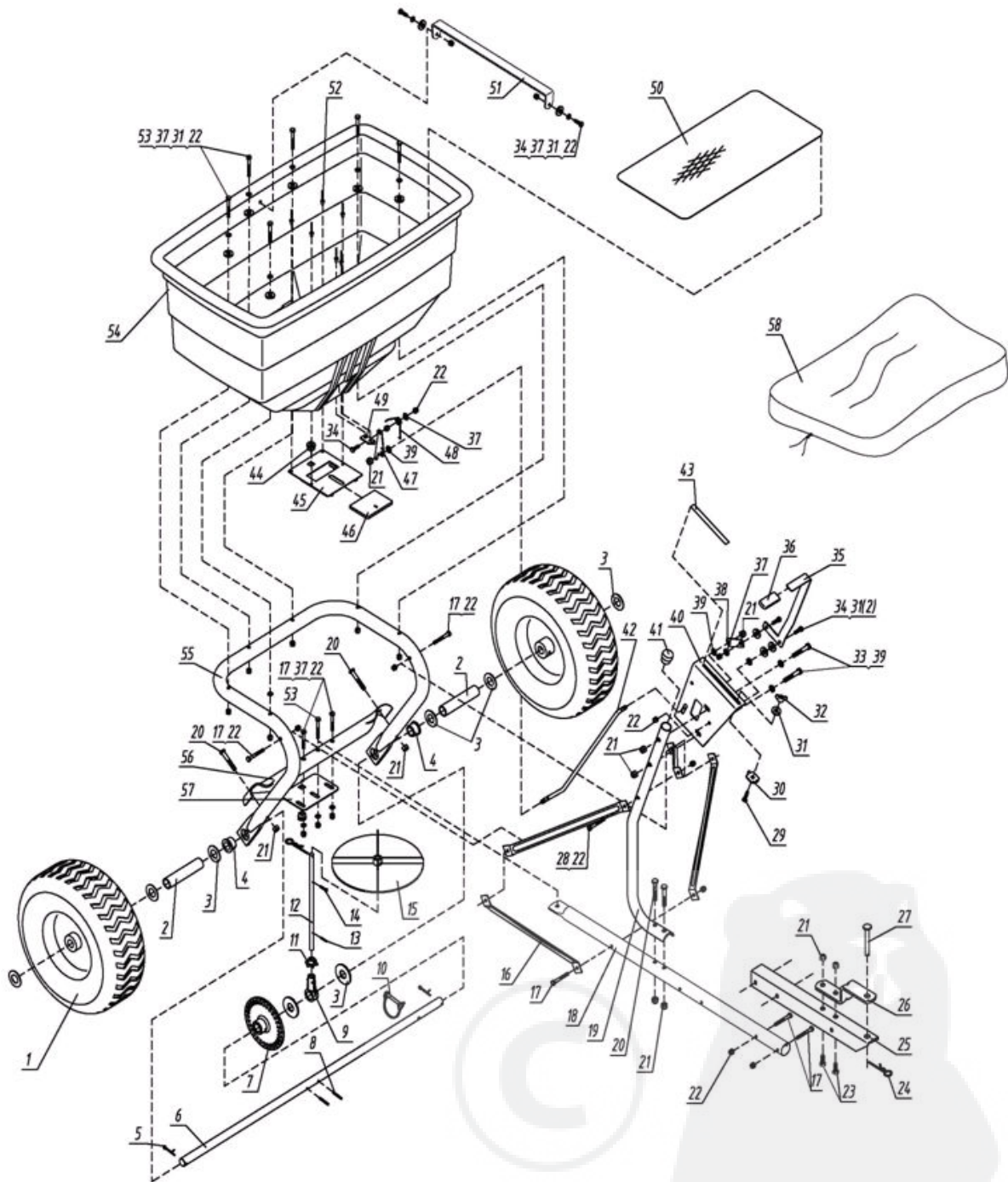


# XBITBS31510



# XBITBS31510

## PARTS LIST

Ref#	Description	QTY	Ref#	Description	QTY
1	Tire	2	30	Fixing Plate for Wing Nut	1
2	Spacer	2	31	Nylon Flat Washer	12
3	Flat WasherØ20	8	32	Wing Nut M6	1
4	Bushing	2	33	Hex Bolt M8x40	2
5	Cotter Pin Ø4x40	2	34	Hex Bolt M6x20	5
6	Swivel Axle	1	35	Adjust Handle	1
7	Gear (Driver)	1	36	Handle Crip	1
8	Spring Pin Ø4x35	2	37	Big Flat WasherØ6	14
9	Shaft Support Cap	1	38	Bracket	1
10	Drive PinØ6x50	1	39	Flat WahserØ8	4
11	Small Gear	1	40	Bracket,Flow Control Mount	1
12	Turn Axle	1	41	Plastic Cap	1
13	Spring Pin Ø3x16	1	42	Adjust Rod	1
14	Screw M4x20	1	43	Gauge Label	1
15	Impeller	1	44	Bearing	2
16	Hitch Brace	4	45	Fixing Adjustable Plate	1
17	Hex Bolt M6x45	7	46	Active Adjustable Plate	1
18	Hitch Tube	1	47	Fixed Plate for Connecting Rod	1
19	Flow Control Rod	1	48	Spring	1
20	Hex Bolt M8x45	4	49	Base for Spring	1
21	Nylon Lock Nut M8	10	50	Hopper Screen	1
22	Nylon Lock Nut M6	21	51	Support Rod	1
23	Hex Bolt M8x20	2	52	RivetØ5x12	6
24	R Pin Ø3X75	4	53	Hex Bolt M6x50	7
25	Hitch Bracket	1	54	Hopppe Assembly	1
26	Connect Plate	1	55	Mounting Tube	1
27	Peg	1	56	Across Rod	1
28	Hex Bolt M6x40	1	57	Shaft Support	1
29	Carriage Bolt M6x20	1	58	Rain Cover	1