

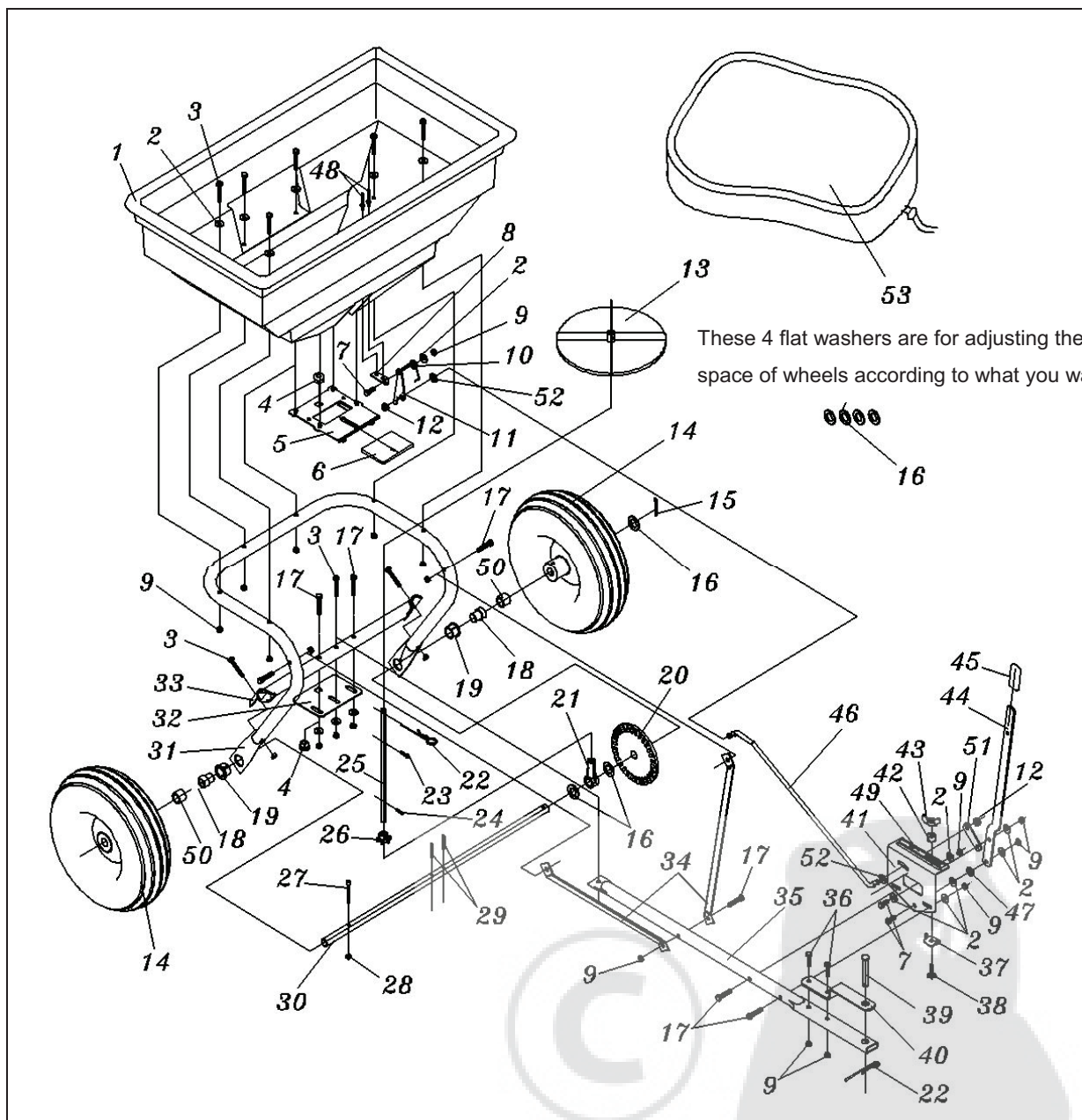
SP31508

SPREADER

ASSEMBLY AND OPERATION INSTRUCTION MANUAL



DRAWING



	Description	Réf.		Description	Réf.
1	Hopper assy.	TS56-1	28	Nylon Lock Nut M5	TS56-32
2	Big Flat Washer Ø6	TS56-2	29	Pin Ø4x30	TS56-31
3	Bolt M6x40	TS56-3	30	Wheel Axle	TS56-30
4	Swivel Axle Bushing	TS56-5	31	Frame Tube Assembly	TS56-19
5	Fixed Adjustable Plate	TS56-6	32	Swivel Axle Fix Plate	TS56-18
6	Active Adjustable Plate	TS56-7	33	Crossover Tube	TS56-17
7	Hex Bolt M6x20	TS56-8	34	Brace Hitch	TS56-38
8	Base for Torsion Spring	TS56-9	35	Hitch Tube	TS56-39
9	Nylon Lock Nut M6	TS56-10	36	Hex Bolt M6x25	TS56-42
10	Torsion Spring	TS56-11	37	Stop, adjustable	SP31508-37
11	Fix Plate for Connecting Rod	TS56-13	38	Carriage Bolt M6x25	TS56-43
12	Nylon Lock Nut ,M8	TS56-14	39	Pin Ø12x65	TS56-41
13	Impeller	TS56-37	40	Hitch Bracket	TS56-40
14	Pneumatic Wheel	TS56-22	41	Bracket, flow control mount	SP31508-41
15	Cotter Pin Ø5x35	TS56-20	42	Spacer	TS56-44
16	Flat Washer Ø16	TS56-21	43	Wing Nut	TS56-45
17	Hex Bolt M6x35	TS56-15	44	Adjustable Handle	SP31508-44
18	Inner Axle Bushing	TS56-24	45	Handle Grip	SP31508-45
19	Outer Axle Bushing	TS56-25	46	Adjust rod	SP31508-46
20	Gear (Driver)	TS56-29	47	Nylon washer	TS56-46
21	Swivel Axle Base	TS56-28	48	Rivet Ø5x10	TS56-4
22	R Pin Ø3	TS56-36	49	Label for gauge	SP31508-49
23	Screw M4x20	TS56-35	50	Wheel Axle Bushing	TS56-23
24	Pin Ø3x16	TS56-34	51	Bracket	SP31508-51
25	Swivel Axle	TS56-26	52	Flat Washer Ø8	TS56-12
26	Pinion Gear	TS56-27	53	Rain Cover	TS56-54
27	Inner Hex Bolt M5x45	TS56-33			

