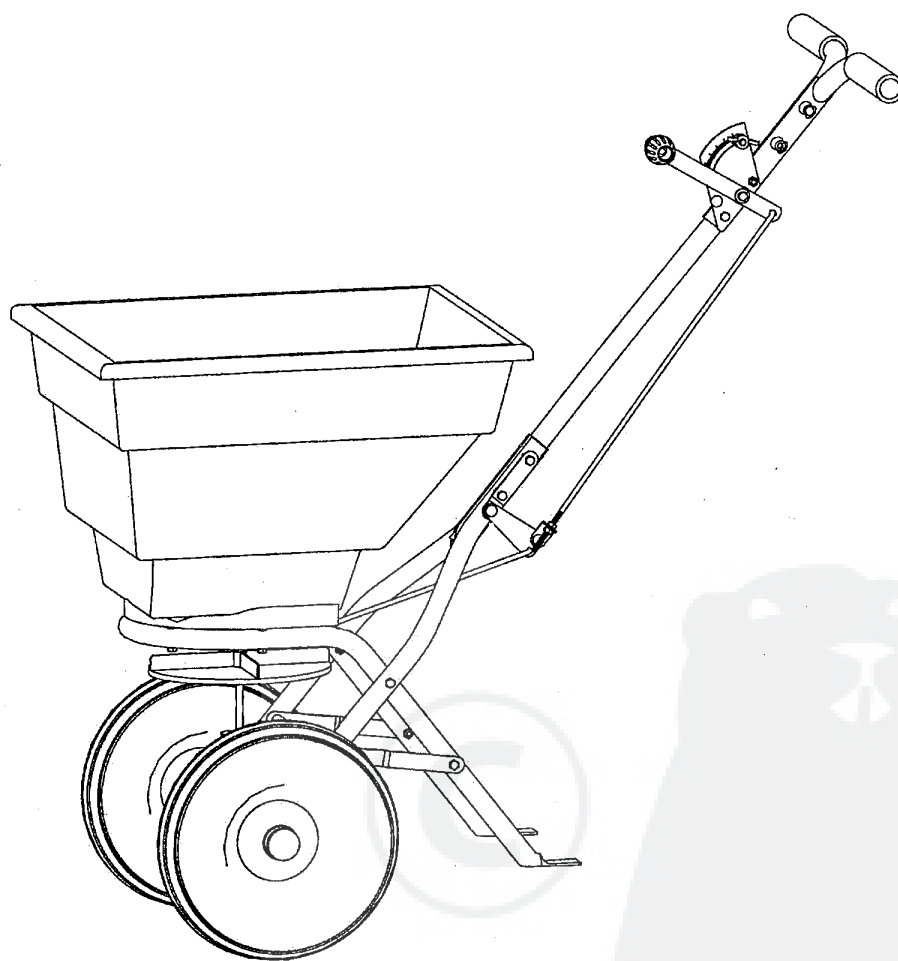
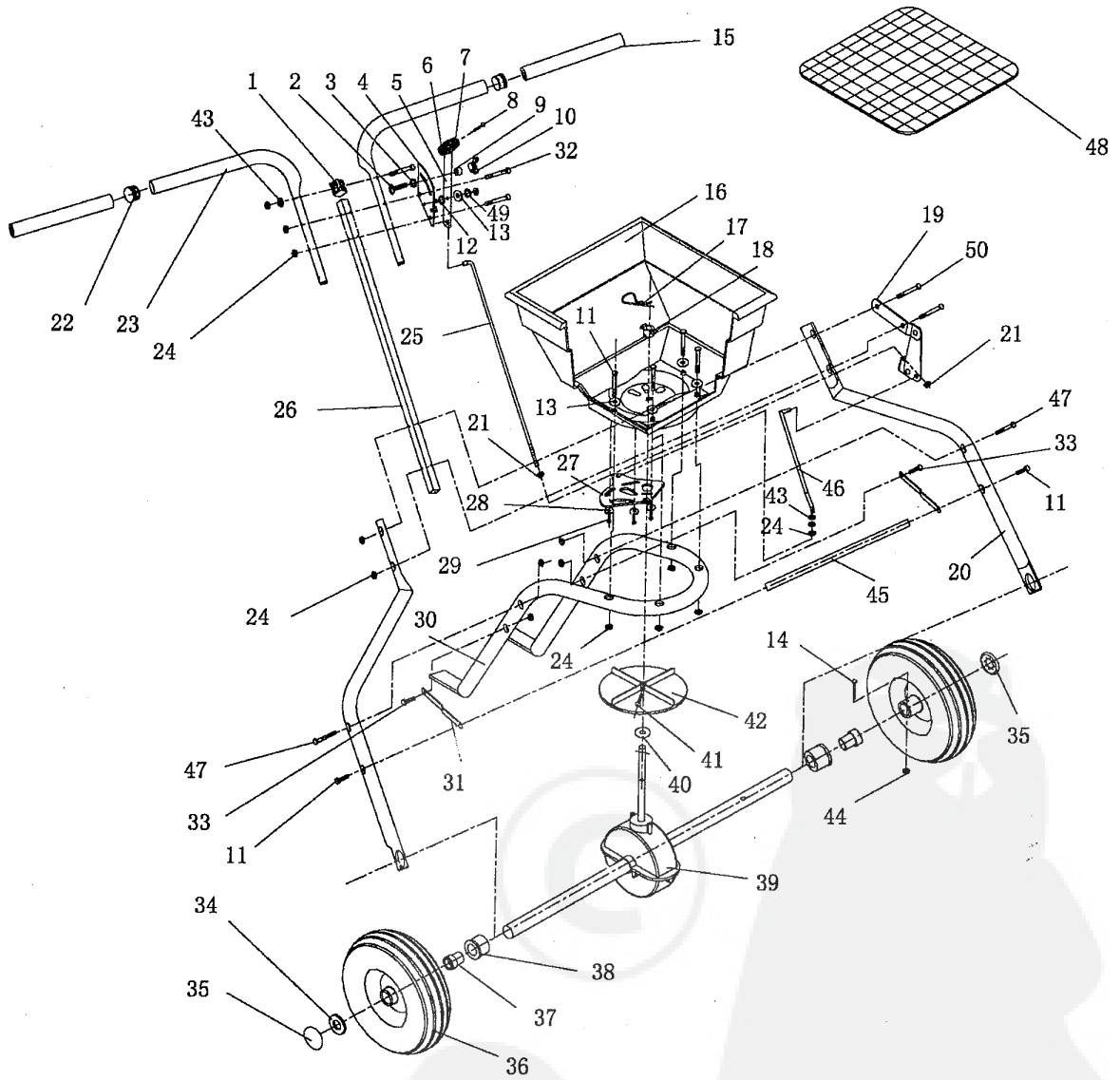

100LB<45KG> WALK-BEHIND SPREADER



ASSEMBLY AND OPERATING INSTRUCTION

PARTS DRAWING



Parts List

Réf. N°	Description	Qty	Réf. N°	Description	Qty
SP31505-1	Handle Spacer	1	SP31505-26	Middle Connecting Handle	1
SP31505-2	Carriage Bolt M6x25	1	SP31505-27	Shut Off Plate	1
SP31505-3	Teeth Lock Washer 8	1	SP31505-28	Big Flat Washer 4	3
SP31505-4	Gauge & Lever Assembly	1	SP31505-29	Screw M4x12	3
SP31505-5	Adjustable Handle Pole	1	SP31505-30	Hopper Assembly Frame	1
SP31505-6	Adjustable Handle A	1	SP31505-31	Frame Brace	2
SP31505-7	Adjustable Handle B	1	SP31505-32	Hex Bolt M6x50	3
SP31505-8	Screw M4x18	1	SP31505-33	Hex Bolt M6x35	2
SP31505-9	Spacer	1	SP31505-34	Flat Washer 16	1
SP31505-10	Wing Nut M6	1	SP31505-35	End Cap	2
SP31505-11	Hex Bolt M6x45	6	SP31505-36	Tire	2
SP31505-12	Nylon Washer	1	SP31505-37	Inner Axle Bushing	2
SP31505-13	Big Flat Washer 6	5	SP31505-38	Outer Axle Bushing	2
SP31505-14	Hex Bolt M5x45	1	SP31505-39	Gear Box & Axle Assembly	1
SP31505-15	Handle Cover	2	SP31505-40	Thin Washer	1
SP31505-16	Hopper	1	SP31505-41	Screw M4x20	1
SP31505-17	R Pin 2	1	SP31505-42	Impeller	1
SP31505-18	Hopper Bushing	1	SP31505-43	Flat Washer 6	3
SP31505-19	Pivot & Bracket Assembly	1	SP31505-44	Lock Nut M5	1
SP31505-20	Wheel Assembly Frame	2	SP31505-45	Connecting Cross Bar	1
SP31505-21	Hex Nut M6	2	SP31505-46	Adjustable Connecting Rod B	1
SP31505-22	End Cover	2	SP31505-47	Hex Bolt M6x60	2
SP31505-23	Upper Handle	2	SP31505-48	Screen	1
SP31505-24	Lock Nut M6	15	SP31505-49	Lock Washer 6	1
SP31505-25	Control Rod A	1	SP31505-50	Hex Bolt M6x55	2

