

TBS6000RD

Trail Behind Broadcast Spreader

Assembly Instructions & Parts List



MADE IN
☆☆☆☆☆☆
USA

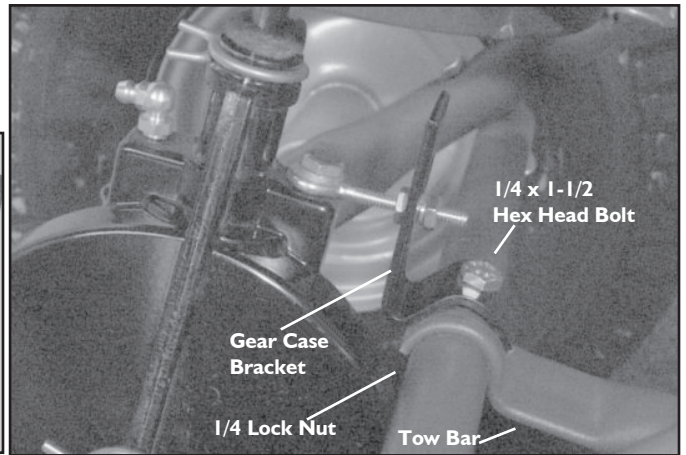
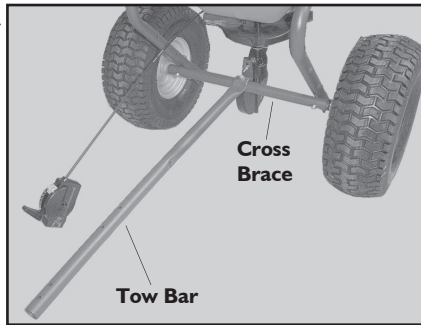
PRECISION PRODUCTS, INC.

ASSEMBLY INSTRUCTIONS FOR THE TBS6000RD

ASSEMBLY TIP: Loosely tighten nuts and bolts at first. Fully tighten when the spreader is completely assembled.

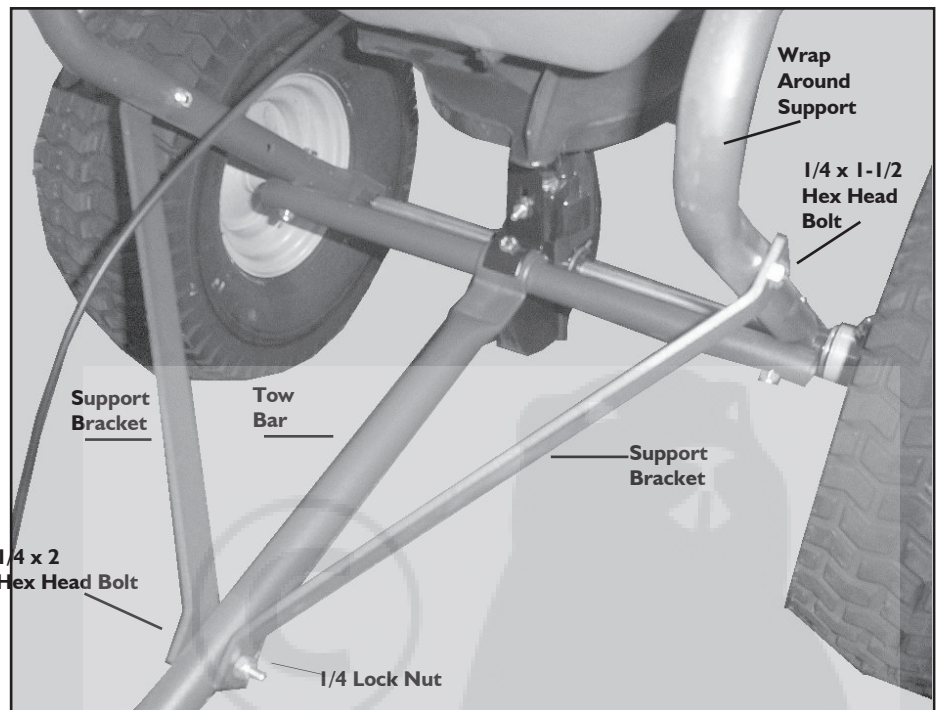
Step 1

Attach the Tow Bar (3) to the center hole on the Cross Brace (6) using a 1/4 x 1-1/2 Hex Head Bolt (14) and a 1/4 Lock Nut (20). The Gear Case Bracket (37) is attached on top of the Tow Bar (3) and the Cross Brace (6).



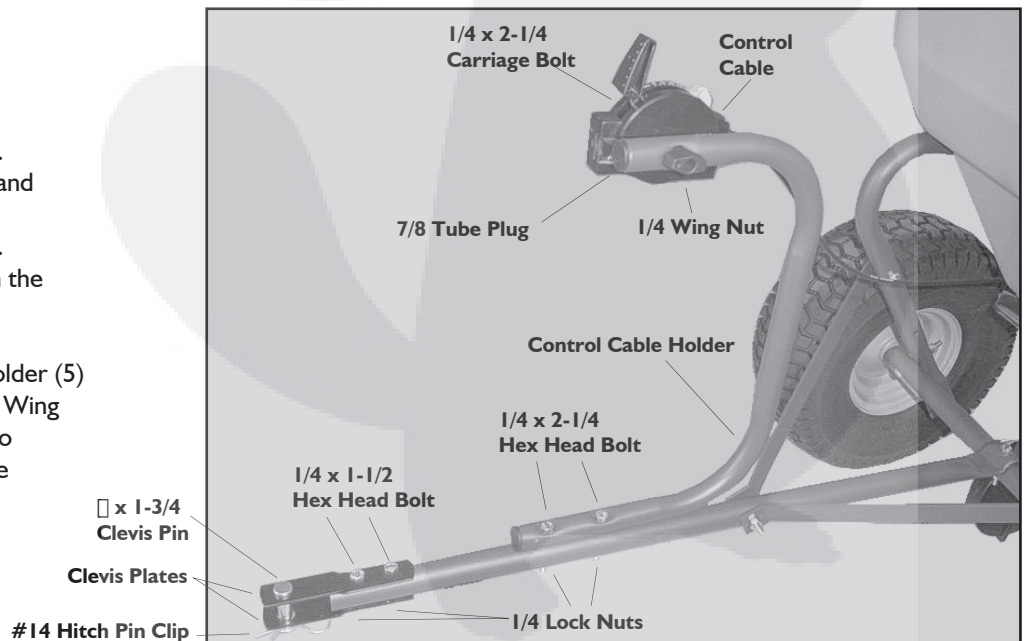
Step 2

Attach the two Support Brackets (7) to the Wrap Around Support (4) using 1/4 x 1-1/2 Hex Head Bolts (14) and 1/4 Lock Nuts (20). Attach the other end of the two Support Brackets (7) to the Tow Bar (3) using a 1/4 x 2 Hex Head Bolt (13) and 1/4 Lock Nut (20).



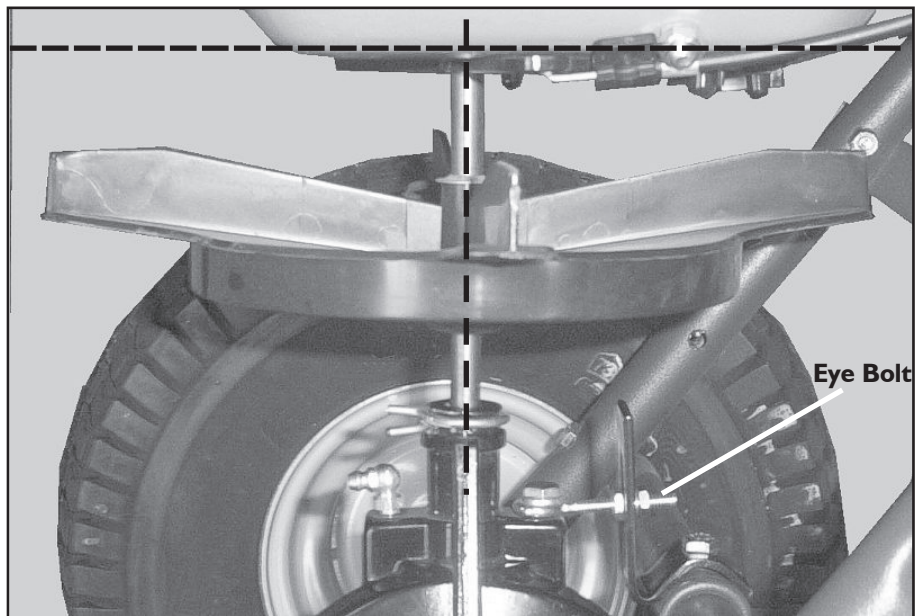
Step 3

Attach the Control Cable Holder (5) to the top of the Tow Bar (3) using 1/4 x 2-1/4 Hex Head Bolts (12) and 1/4 Lock Nuts (20). Attach the two Clevis Plates (25) to the top and bottom of the Tow Bar (3) using 1/4 x 1-1/2 Hex Head Bolts (14) and 1/4 Lock Nuts (20). Insert the 1/2 x 1-3/4 Clevis Pin (39) through the holes in Clevis Plates (25). Secure this with a #14 Hitch Pin Clip (34). Attach the Control Cable (8) to the top of the Control Cable Holder (5) using a 1/4 x 2-1/4 Carriage Bolt (11) and 1/4 Wing Nut (23). Using a hammer, gently tap the two 7/8 Tube Plugs (24) into the open ends of the Control Cable Holder (5).



Step 4

To ensure proper function of the gear case, make sure the Spinner Shaft is perpendicular to the bottom of the Hopper. Adjustments can be made with the Eye Bolt that connects the Gear Case Bracket to the Gear Case Housing.



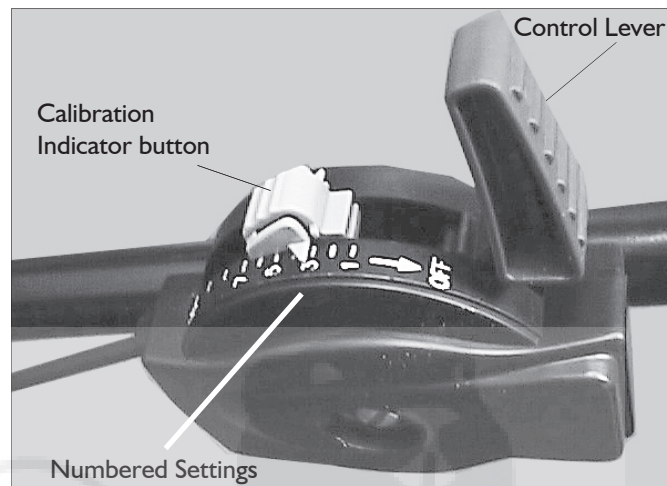
USING YOUR SPREADERS CONTROLLER

Settings are made by pushing down on the Calibration Indicator button and setting to the desired number on the Control Cable assembly.

SEE APPLICATION CHART FOR SETTING INFORMATION.

ON -- Push the Control Lever forward until it stops against Calibration Button.

OFF -- Pull Control Lever back until it stops.



BROADCAST SPREADER OPERATION

1. Always have the control lever in OFF position before filling the hopper.
2. Always pull the spreader forward to operate; do not operate in reverse.
3. Start moving forward before pushing the control lever to the ON position. Pull the control lever to OFF position before stopping or turning.
DO NOT allow spreader to sit stationary with material in the hopper and control lever in the ON position.

4. Pull the spreader at a steady speed (approximately 3 - 4 mph is recommended).
5. To avoid misses or striping, space each pass across the lawn so approximately 20% of the spread width overlaps onto the previous pass. This provides a feathered overlap to even out distribution over the width of the spread.

CAUTION: care must be taken with any weed killer, pesticide, or combination product. They can be harmful to other plant life in the yard.

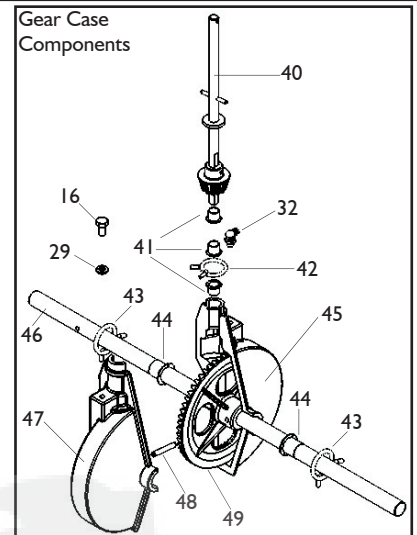
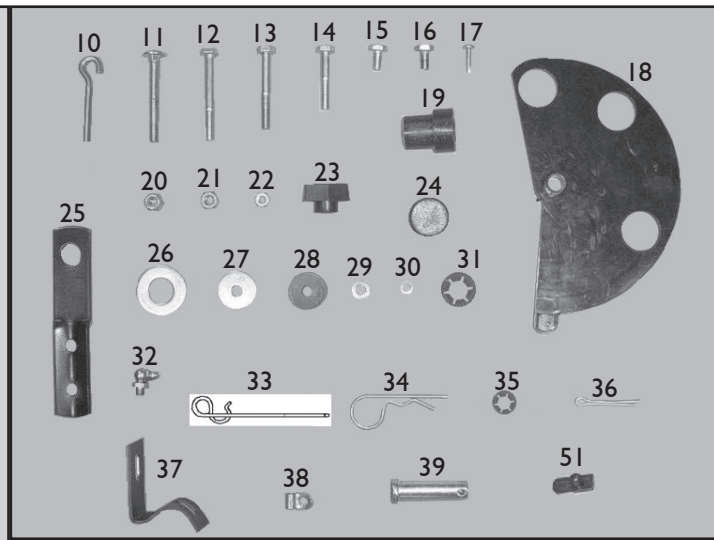
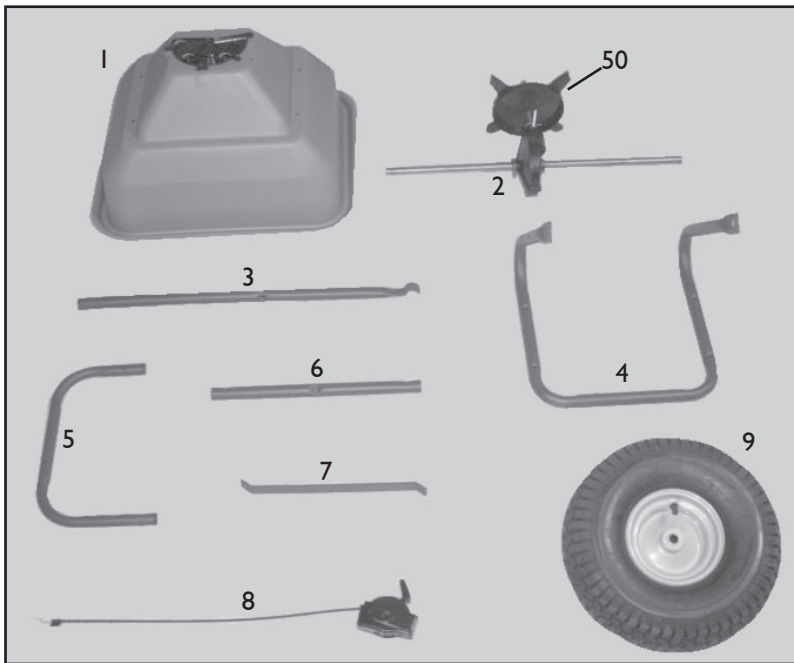
Recommended operating weight ñ 120 lbs.

MAINTENANCE INSTRUCTIONS

1. Empty hopper after each use. Do not store spreader with material left in hopper.
2. Wash spreader thoroughly and wipe dry.
3. Lubricate all moving parts. Use a grease gun to apply grease to the gearbox assembly. **CAUTION:** Use a reasonable amount of grease. **DO NOT** pack gearbox full of grease. Apply oil to spinner shaft (including area shaft extends through hopper), slide plate and where the spinner shaft and axle extend through the gearbox.

LIMITED WARRANTY

This unit is warranted against defects in materials and workmanship to the original purchaser, under normal use and service, for a period of ninety (90) days from date of sale. During the Warranty Period, we will repair or replace at our option free of charge to the original purchaser, any part of the Unit that our examination shows to be defective in workmanship or materials. This Warranty **Does Not** apply to damage caused by transit, misuse, abuse, neglect, accident, normal wear, or alterations by unauthorized persons.



PLEASE DO NOT RETURN THIS MERCHANDISE TO THE STORE. CALL US AND WE WILL TAKE CARE OF ANY PROBLEM YOU MIGHT HAVE WITH THIS PRODUCT. Phone (800) 225 - 5891 EXT. #204

HOW TO ORDER REPLACEMENT PARTS:
When ordering parts always give model number, part number and part description.

Send To: Parts Division
316 Limit Street
Lincoln, IL 62656

Phone (800) 225-5891
(217) 735-1590 Ext. 204
FAX (217) 735-2435

Ref No	Parts No	Description	Qty	Ref No	Parts No	Description	Qty
1	2969	Hopper	1	27	6143	1/4 Fender Washer	4
2	INSET	Gear Case Assembly	***	28	6127	1/4 Rubber Washer	4
3	7185G	Tow Bar	1	29	1807	1/4 Lock Washer	1
4	7156G	Wrap Around Support	1	30	2987	3/16 Lock Washer	1
5	7182G	Control Cable Holder	1	31	1008	1/2 Retaining Ring	1
6	7126G	Cross Brace	1	32	2983	1/4 Grease Zerk	1
7	2928G	Support Bracket	2	33	2905	Agitator Pin	1
8	2438	Control Cable	1	34	1042	#14 Hitch Pin Clip	1
9	2409	Wheel	2	35	2174	3/8 Retaining Ring	1
10	2985	Eye Bolt	1	36	1262	1/8 x 1-1/4 Cotter Pin	1
11	1868	1/4 x 2-1/4 Carriage Bolt	1	37	2986B	Gear Case Bracket	1
12	2101	1/4 x 2-1/4 Hex Head Bolt	2	38	1098	3/16 Cable Clamp	1
13	1086	1/4 x 2 Hex Head Bolt	4	39	1840	1/2 x 1-3/4 Clevis Pin	1
14	6129	1/4 x 1-1/2 Hex Head Bolt	9	40	2982A	Spinner Shaft Assembly	1
15	1647	1/4 x 1/2 Hex Head Bolt	1	41	2973	3/8 Nylon Bushing	3
16	2984	1/4 x 1/2 Hex Head Bolt FT	1	42	2978	7/8 Spring Clamp	1
17	6010	#6 x 1/2 Pan Head Screw	3	43	2977	15/16 Spring Clamp	2
18	1307	Slide Plate	1	44	2970	5/8 Nylon Bushing	2
19	6214	5/8 Wheel Bushing	2	45	2976	Rear Gear Case Housing	1
20	1558	1/4 Lock Nut	15	46	2599	Axle	1
21	1270	1/4 Hex Nut	1	47	2975	Front Gear Case Housing	1
22	3618	10-24 Hex Nut	2	48	2979	3/16 x 1-1/4 Split Pin	1
23	2828	1/4 Wing Nut	1	49	2971	Drive Gear	1
24	1053	7/8 Tube Plug	2	50	2614	Spinner Disc	1
25	1062B	Clevis Plate	2	51	5050C	Plastic Clamp	3
26	1646	5/8 Flat Washer	3	***	2936B	Strainer (Not Shown)	1
				***	2906	Rain Cover (Not Shown)	1

TIP: Many of these hardware parts can be purchased at your local hardware store.