

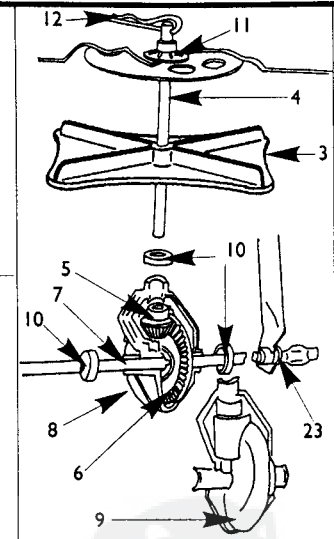
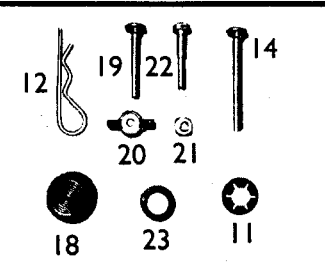
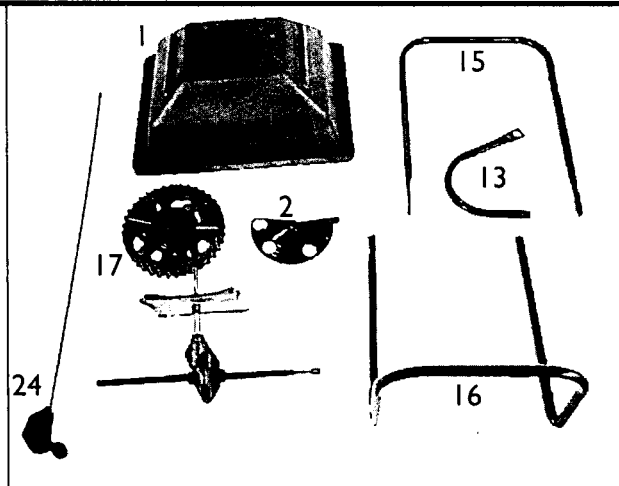
SB52 BROADCAST SPREADER

ASSEMBLY INSTRUCTIONS & PARTS LIST

10/99



MADE IN
☆☆☆☆☆
USA



PLEASE DO NOT RETURN THIS MERCHANDISE TO THE STORE. CALL US AND WE WILL TAKE CARE OF ANY PROBLEM YOU MIGHT HAVE WITH THIS PRODUCT. Phone (800) 225 - 5891 EXT. #226

HOW TO ORDER PARTS

When ordering parts always give model number, part number, part description and inspector number.

Send To: Parts Division
316 Limit Street
Lincoln, IL 62656

Phone (217) 735 - 1590
FAX (217) 735 - 2435

LIMITED WARRANTY

This unit is warranted against defects in materials and workmanship to the original purchaser, under normal use and service, for a period of ninety (90) days from date of sale. During the Warranty Period, we will repair or replace at our option free of charge to the original purchaser, any part of the Unit that our examination shows to be defective in workmanship or materials. This Warranty **Does Not** apply to damage caused by misuse, abuse, neglect, accident, normal wear, or alterations by unauthorized persons.

Retain for future reference **TIP:** Many of these hardware parts can be purchased at your local hardware store.

Parts List * SB52

Ref No	Parts No	Description	Qty	Ref No	Parts No	Description	Qty
1	2672	Hopper	1	15	1048	Handle	1
2	1307	Slide Plate	1	16	1032	Leg Stand	1
3	2614	Spinner Disc	1	17	1916DJ	Wheel	2
4	2686	Spinner Shaft	1	18	1040	1/2" Hubcap	2
5	2622	Small Pinion Gear	1	19	1408	1/4" x 1-3/4" Carriage Bolt	6
6	2621	Large Pinion Gear	1	20	1269	1/4" Wing Nut	7
7	2635	Axle	1	21	1051	1/4" Spring Nut	2
8	2615	Gear Case Cover(Front)	1	22	6129	1/4" x 1-1/2" Bolt	2
9	2616	Gear Case Cover(Rear)	1	23	1842	Axle Bushing Nylon Split	2
10	1077	Gear Case Collar	3	24	2441	Control Cable Assembly	1
11	1008	3/8" Retaining Ring	1				
12	1042	Agitator Clip	1				
13	1002	Hopper Support	2				
14	1868	1/4" x 2-1/4" Carriage Bolt	1				



PRECISION PRODUCTS, INC.