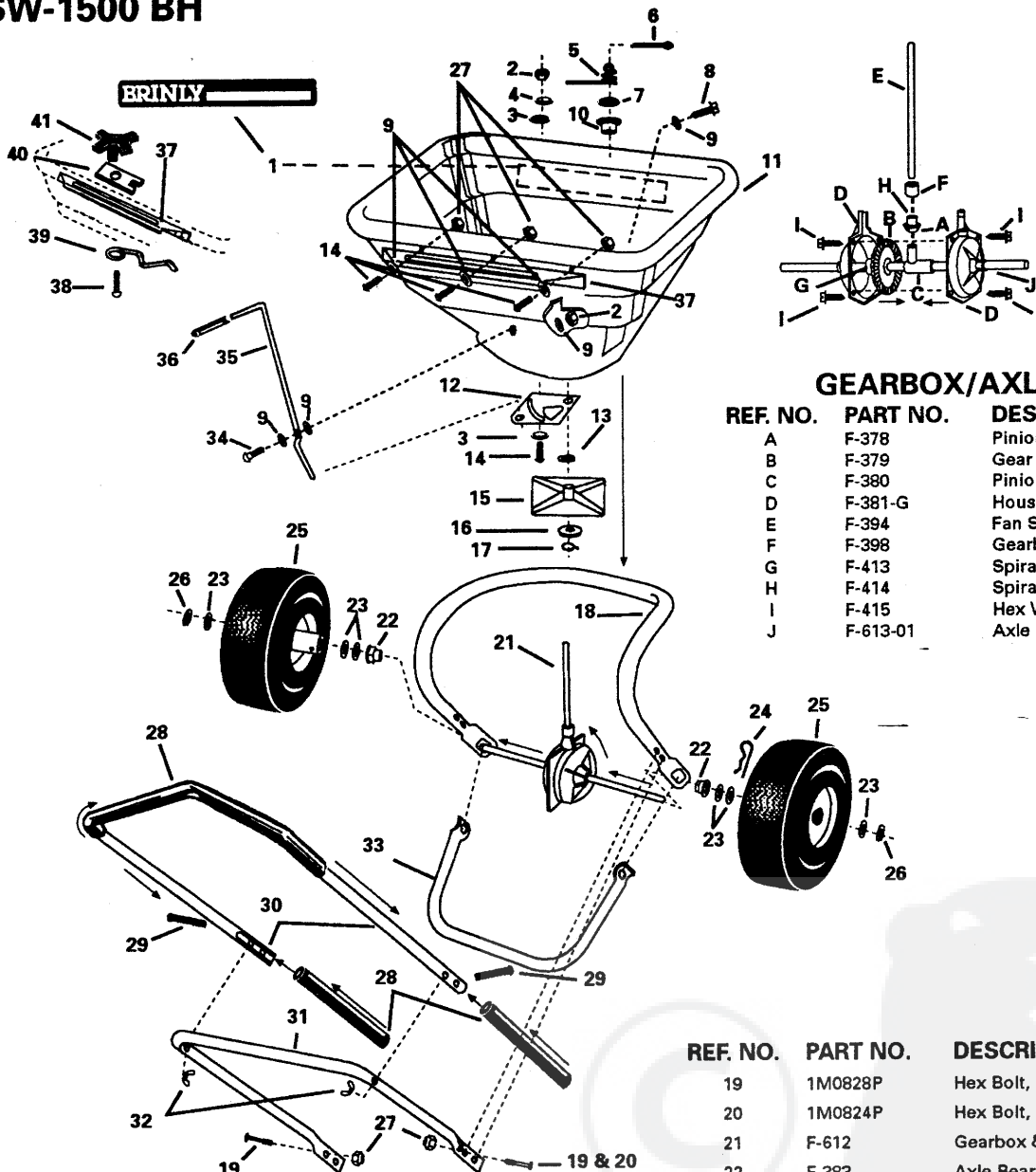


BSW-1500 BH



GEARBOX/AXLE ASSEMBLY

REF. NO.	PART NO.	DESCRIPTION	QUANTITY
A	F-378	Pinion	1
B	F-379	Gear	1
C	F-380	Pinion Carrier	1
D	F-381-G	Housing Half (Gearbox)	2
E	F-394	Fan Shaft	1
F	F-398	Gearbox Cap	1
G	F-413	Spiral Pin, 5/32" x 1"	1
H	F-414	Spiral Pin, 1/8" x 3/4"	1
I	F-415	Hex Washer Head Screw	4
J	F-613-01	Axle	1

REF. NO.	PART NO.	DESCRIPTION	QUANTITY
19	1M0828P	Hex Bolt, 1/4" x 1 3/4"	2
20	1M0824P	Hex Bolt, 1/4" x 1 1/2"	4
21	F-612	Gearbox & Axle Assembly	1
22	F-383	Axle Bearing, 1/2"	2
23	45M1717P	Flat Washer, 1/2"	7
24	F-620	Hairpin Cotter (large)	2
25	F-615	Wheel	2
26	F-621	"E" Ring - Axle - 1/2" (small)	2
27	B-4785	Nylon Insert Nut, 1/4"	7
28	F-631	Foam Grip	2
29	20M0824P	Round Head Screw, 1/4" x 1 1/2"	2
30	F-695-10	Upper handle	1
31	F-696-10	Lower Handle	1
32	B-4030	Plastic Wing Nut, 1/4"	2
33	F-697-10	Stand	1
34	20M0816P	Round Head Screw, 1/4" x 1"	1
35	F-774	Shutter Handle	1
36	B-3372	Vinyl Grip	1
37	F-771	Gauge Plate	1
38	10M1012P	Carriage Bolt, 5/16" x 3/4"	1
39	F-847	Flow Control Spring	1
40	F-785	Gauge Stop	1
41	F-782	Knob	1
42	L-1548-1BH	Instructions	1

PARTS LIST

REF. NO.	PART NO.	DESCRIPTION	QUANTITY
1	B-5922	Logo Decal	1
2	B1673P	Hex Lock Nut (Domed) - 1/4"	2
3	F575	Nylon Thrust Washer	2
4	F313	Gate "O" Ring	1
5	F-436	Torsion Spring Agitator	1
6	50M0416P	Cotter Pin, 1/8" D. x 1	1
7	F-365	"O" Ring, 3/8" (Fan Shaft)	1
8	F-395	Hex Head Screw, 1/4" x 3/4"	5
9	45M0909P	Flat Washer, 1/4"	11
10	F-384	Fan Shaft Bearing, 3/8"	1
11	F-691A-1	Hopper	1
12	F-689	Shutter Plate	1
13	F-577	"E" Ring-Fan Bearing 5/8" (large)	1
14	20M0812P	Round Head Screw, 1/4" x 3/4"	4
15	F-573	Fan	1
16	F-591	Fan Driver	1
17	F-595	Lock Clip	1
18	F-775-10	Hopper Support	1