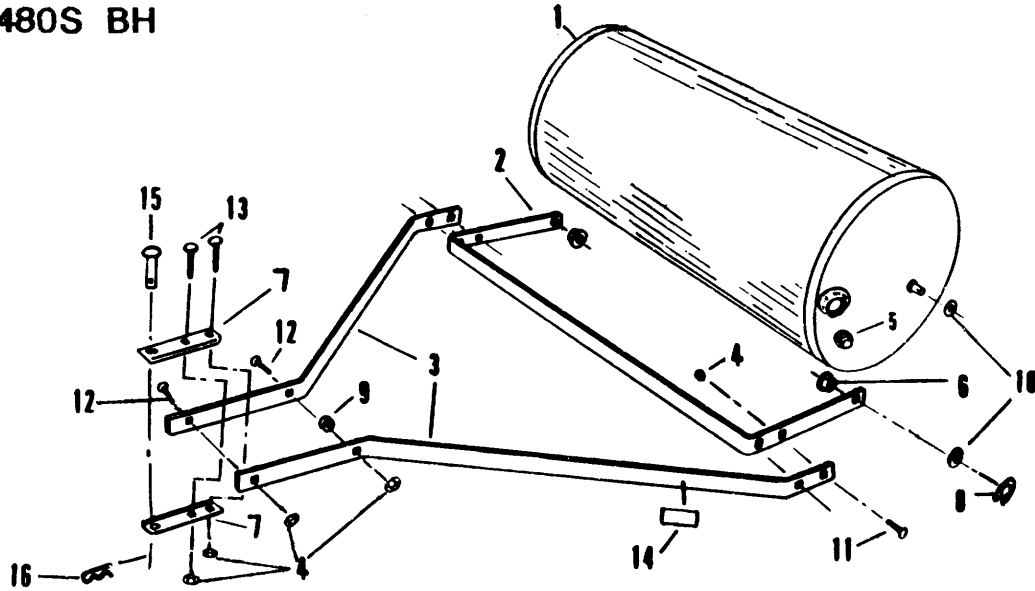


PRT-480S BH



PARTS LIST

| REF. PART NO. | PART NO. | DESCRIPTION | QTY | REF. PART NO. | PART NO. | DESCRIPTION | QTY |
|---------------|-----------|-------------------------|-----|---------------|----------|-------------------------------|-----|
| 1 | B-5789 | ROLLER ASSEMBLY | 1 | 8 | F-577 | "E" RING- 5/8" | 2 |
| 2 | B-5792-10 | SCRAPER FRAME BAR | 1 | 9 | R-1141 | SPACER | 1 |
| 3 | B-5793-10 | FRAME EXTENSION BAR | 2 | 10 | 45M2121P | FLAT WASHER, 5/8" | 4 |
| 4 | B-4786 | NYLON INSERT NUT, 5/16" | 8 | 11 | 10M1020P | HEX BOLT, 5/16" x 1-1/4" | 4 |
| 5 | B-5121-PL | PLUG | 1 | 12 | 10M1024P | HEX BOLT, 5/16" x 1-1/2" | 2 |
| 6 | B-4965 | NYLON BEARING | 2 | 13 | 10M1040P | CARRIAGE BOLT, 5/16" x 2-1/2" | 2 |
| 7 | R-892-10 | CLEVIS STRAPS | 2 | 14 | | LOGO DECAL | 1 |
| | | | | 15 | B-3861 | HITCH PIN | 1 |
| | | | | 16 | D-146P | HAIRPIN COTTER, 1/8" | 1 |

