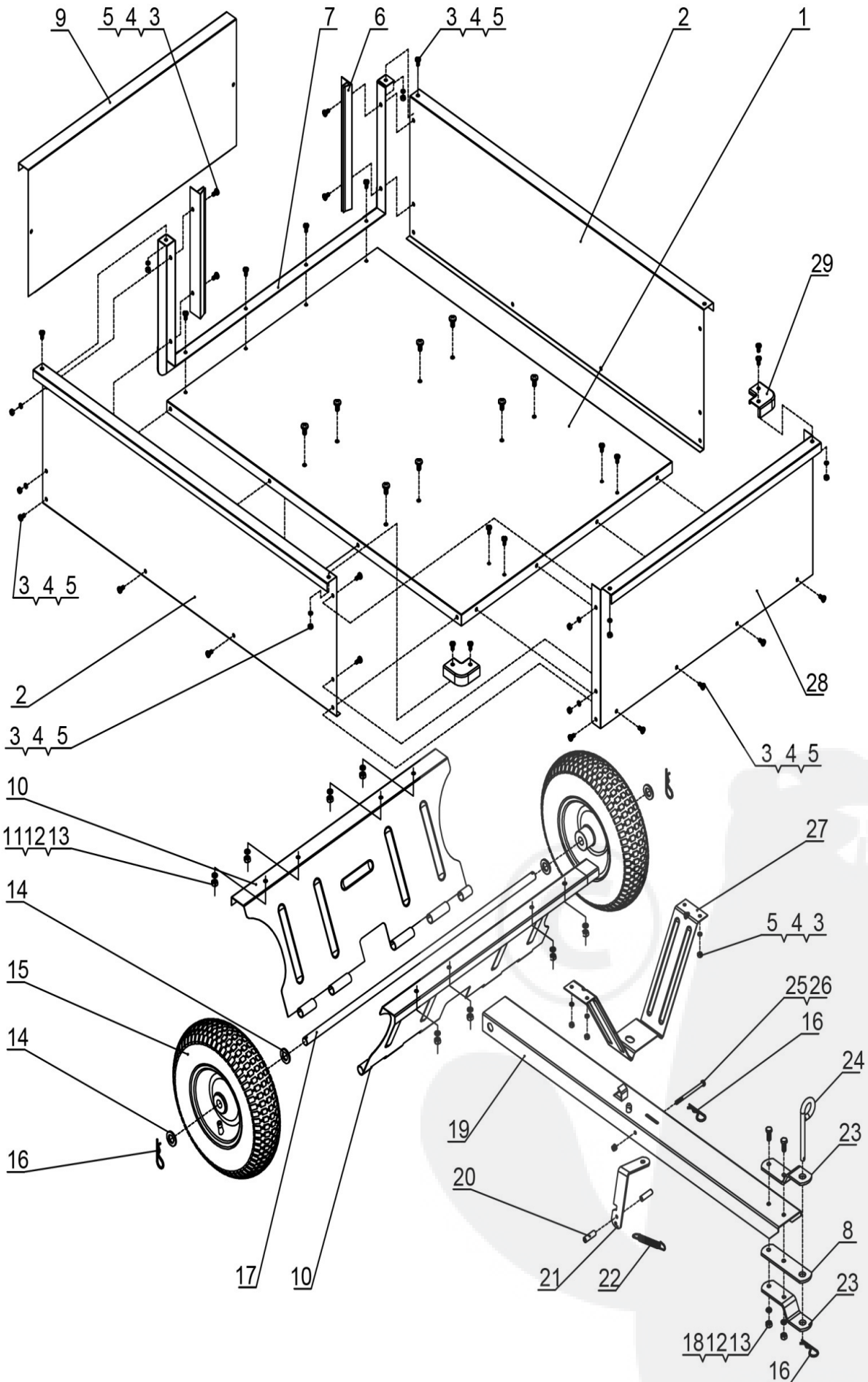


XBIDC180



XBIDC180

Ref No.		Description	Qty
1	DC180-1	Bottom Panel	1
2	DC180-2	Side Panel	2
3	DC180-3	Screw M6x12	34
4	DC180-4	Lock Washer Ø6	34
5	DC180-5	Hex Nut M6	34
6	DC180-6	Rear Card Slot	2
7	DC180-7	U-Frame	1
8	DC180-8	Connecting Plate	1
9	DC180-9	Rear Panel	1
10	DC180-10	Axle Support	2
11	DC180-11	Screw M8x16	8
12	DC180-12	Lock Washer Ø8	10
13	DC180-13	Hex Nut M8	10
14	DC180-14	Flat Washer Ø16	4
15	DC180-15	Wheel	2
16	DC180-16	R Pin Ø3	4
17	DC180-17	Wheel Axle	1
18	DC180-18	Hex Bolt M8x30	2
19	DC180-19	Hitch Tongue	1
20	DC180-20	Spacer	2
21	DC180-21	Release Pedal	1
22	DC180-22	Latch Spring	1
23	DC180-23	Hitch Pin Bracket	2
24	DC180-24	Hitch Pin	1
25	DC180-25	Hex Bolt M6x90	1
26	DC180-26	Lock Nut M6	1
27	DC180-27	Tongue Support	1
28	DC180-28	Front Panel	1
29	DC180-29	Corner Plate	2