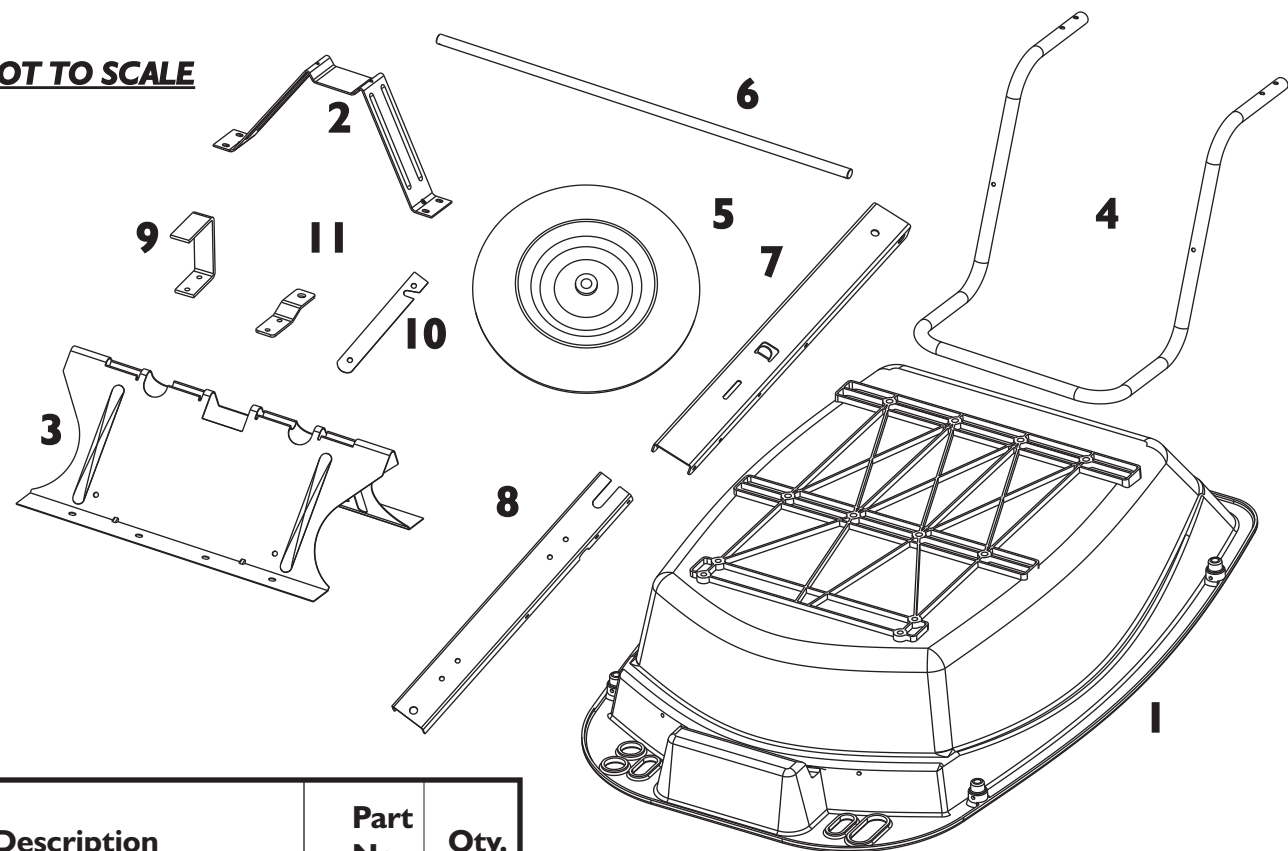


PARTS NOT TO SCALE

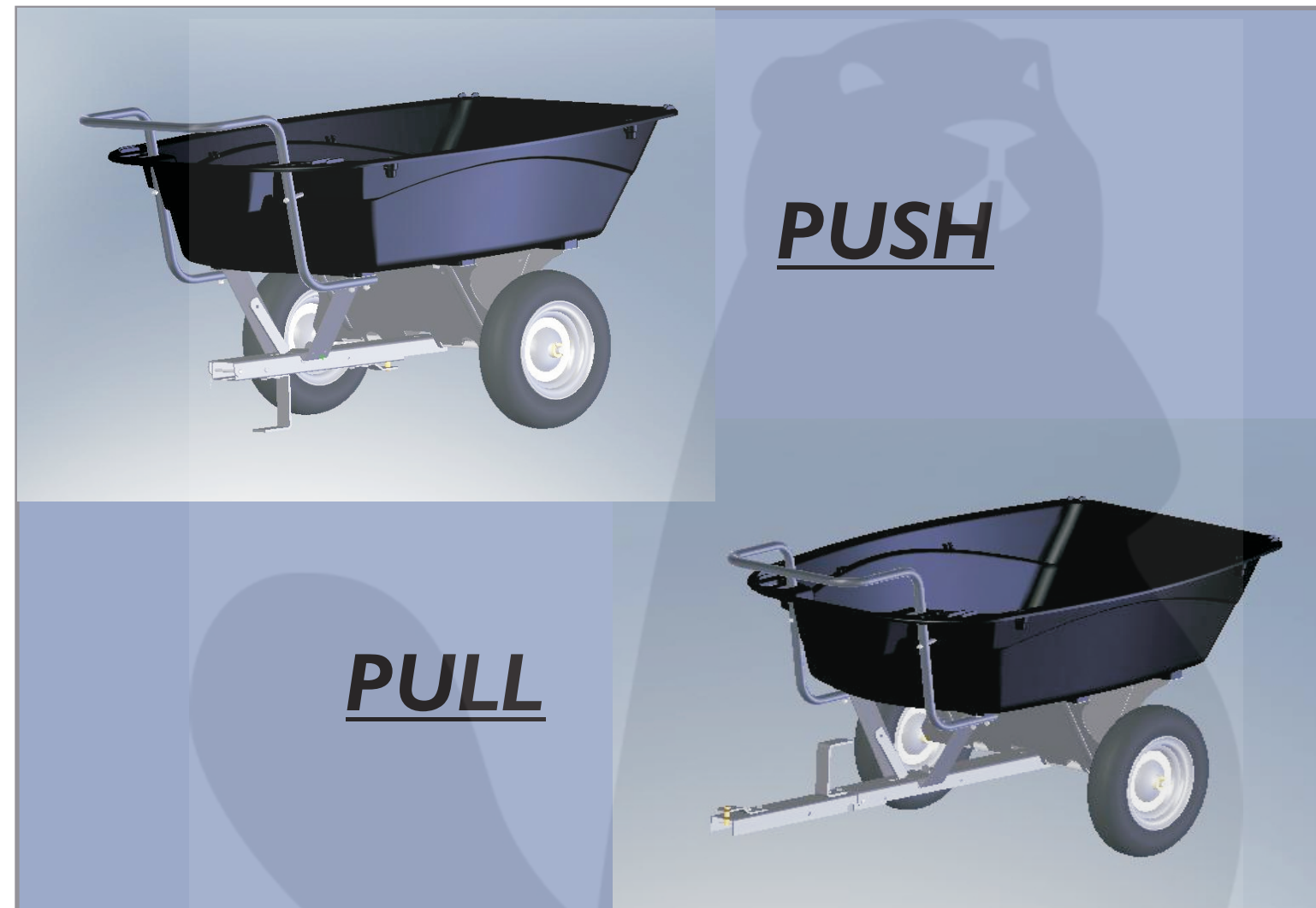


Precision

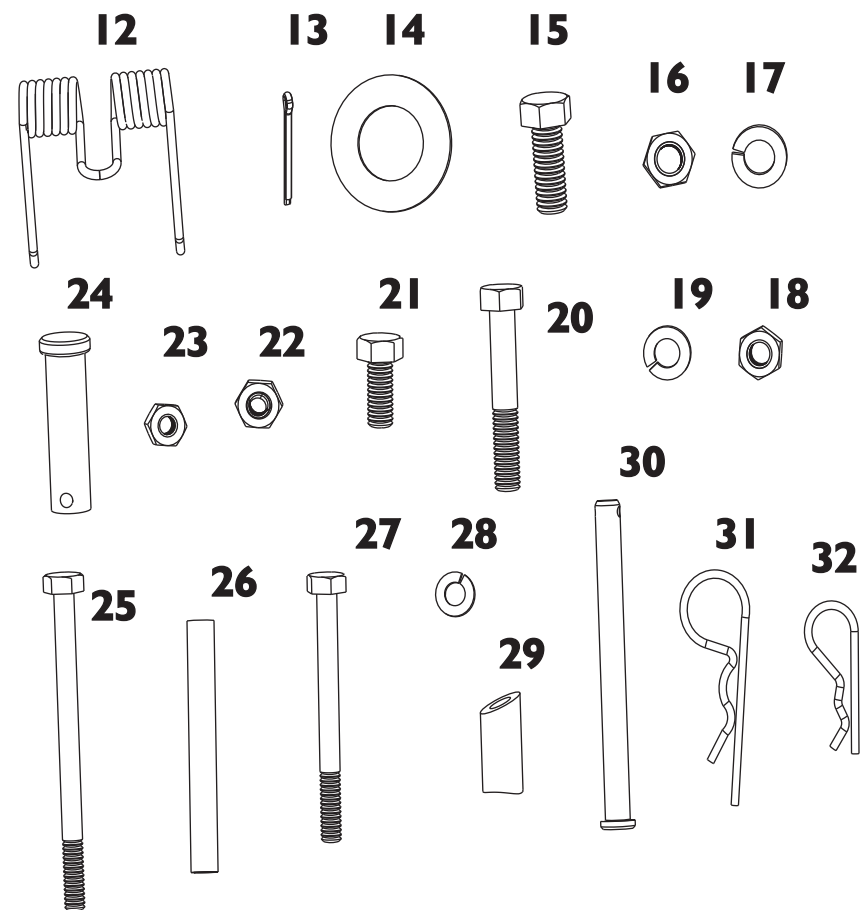
LCP08PP Push/Pull-Dump Cart

02/09

ASSEMBLY INSTRUCTIONS & PARTS LIST



Ref. No.	Description	Part No.	Qty.
1	Body	4710B	1
2	Pedestal	4630GY	1
3	Undercarriage	4708	1
4	Handle	4709	1
5	Wheel	4566	2
6	Axle	1252	1
7	Long Tow Bar	4650GY	1
8	Short Tow Bar	4648GY	1
9	Leg	4617GY	1
10	Latch	1265GY	1
11	Clevis	1243GY	1
12	Spring	4497	1
13	1/8" x 1-1/4" Cotter Pin	1262	2
14	3/4" Flat Washer	1264	4
15	3/8" x 1" Hex Head Bolt	1974	8
16	3/8" Hex Nut	1273	8
17	3/8" lock Washer	1274	8
18	5/16" Hex Nut	1275	8
19	5/16" Lock Washer	1276	8
20	5/16" x 2" Hex Head Bolt	4041	4
21	5/16" x 3/4" Hex Head Bolt	1248	4
22	1/4" Nylock Nut	1250	2
23	1/4" Hex Nut	1270	2
24	1/2" x 1-3/4" Clevis Pin	1840	1
25	1/4" x 3-1/2" Hex Head Bolt	4466	2
26	1/4" x 3" Spacer	1242	1
27	1/4" x 2-3/4" Hex Head Bolt	2917	2
28	1/4" Lock Washer	1807	2
29	Rubber Spacer	4707	2
30	5/16 x 3-1/2" Clevis Pin	4619	1
31	# 14 Hitch Pin Clip	1042	1
32	#203 Hitch Pin	2455	1



Bearing wheel: 720-7531

CUSTOMER SUPPORT

At Precision Products, Inc. delivering quality, value and outstanding service is our goal. However, sometimes parts do become damaged or lost during transport from our facilities to the store. **If you have any problems, please do not return this merchandise to the store. Call us and we will take care of any problem you may have with this unit.**

When ordering replacement parts, please have the model number, part description and part number available.

Send To: **Precision Products, Inc.**
316 Limit Street
Lincoln, IL 62656
Toll Free (800) 225-5891 Ext.204
Phone (217) 735-1590
Fax (217) 735-2435

Visit us on the web: www.precisionprodinc.com

LIMITED WARRANTY

This unit is warranted against defects in materials and workmanship to the original purchaser, under normal use and service for a period of ninety (90) days from the date of sale. During the Warranty Period, we will repair or replace, at our option, free of charge to the original purchaser, any part of the unit that our examination shows to be defective in workmanship or materials. This Warranty does not apply to damage in transit or damage caused by misuse, abuse, neglect, normal wear, or alterations by unauthorized persons.

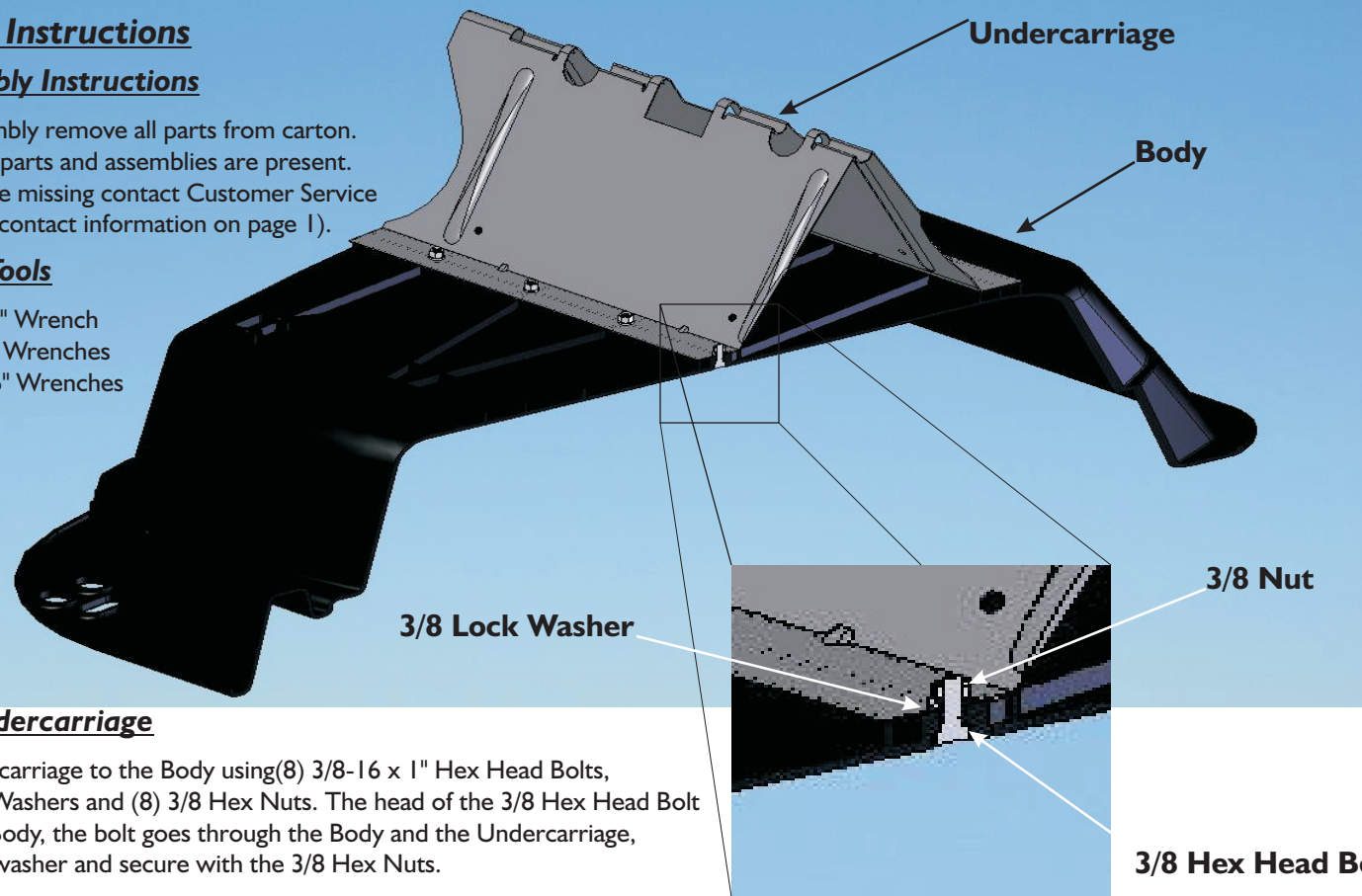
Assembly Instructions

Pre-Assembly Instructions

Prior to assembly remove all parts from carton. Make sure all parts and assemblies are present. If any parts are missing contact Customer Service immediately (contact information on page 1).

Required Tools

one (1) - 9/16" Wrench
two (2) - 1/2" Wrenches
two (2) - 7/16" Wrenches

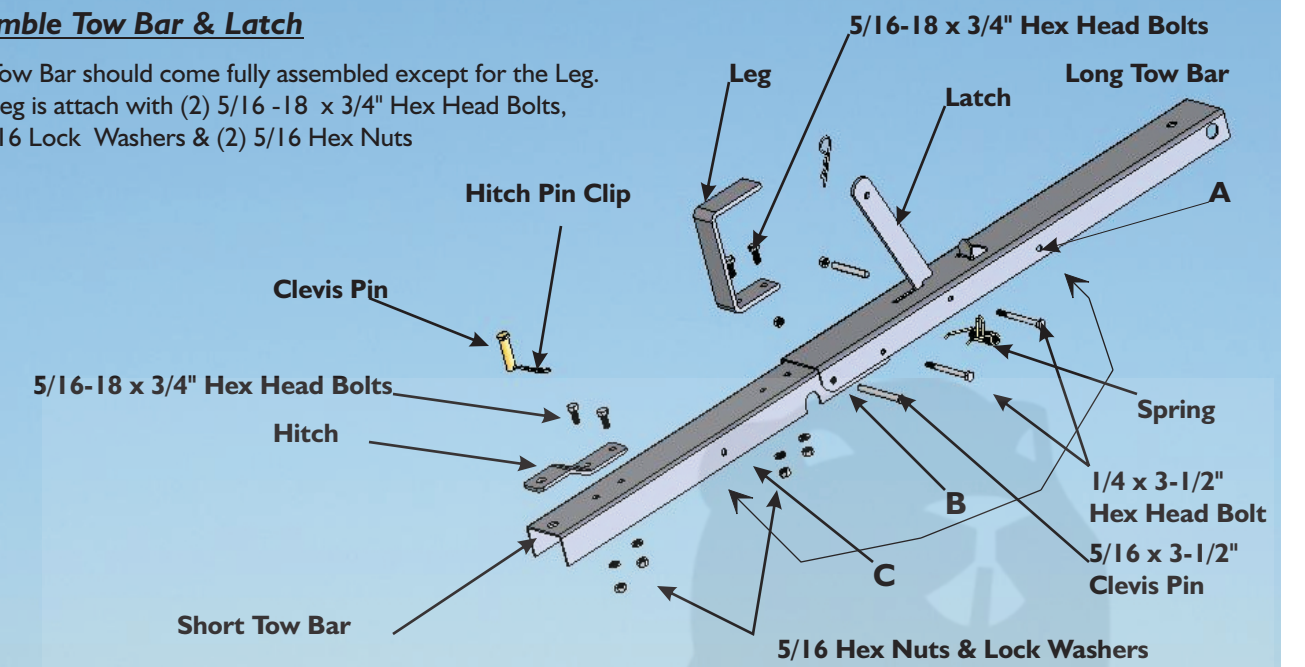


Attach Undercarriage

Attach Undercarriage to the Body using (8) 3/8-16 x 1" Hex Head Bolts, (8) 3/8 Lock Washers and (8) 3/8 Hex Nuts. The head of the 3/8 Hex Head Bolt fits in to the Body, the bolt goes through the Body and the Undercarriage, add the lock washer and secure with the 3/8 Hex Nuts.

Assemble Tow Bar & Latch

The Tow Bar should come fully assembled except for the Leg. The Leg is attach with (2) 5/16 -18 x 3/4" Hex Head Bolts, (2) 5/16 Lock Washers & (2) 5/16 Hex Nuts



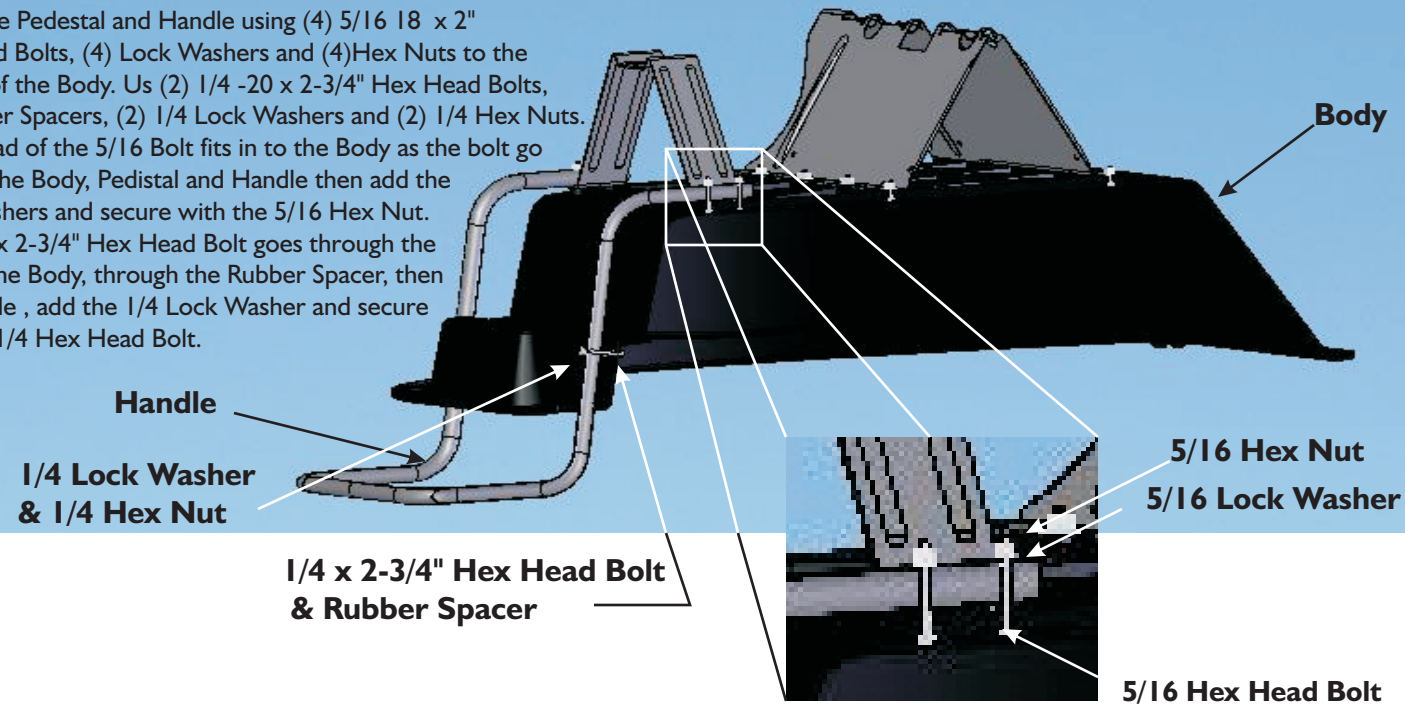
To fold Tow Bar up, into the push location : First pull the Hitch Pin Clip from the 5/16 X 3-1/2" Clevis Pin, pull out the Pin From hole (B) and fold the Short Tow Bar under the Long Tow Bar. Line up hole (C) with hole (A), push Pin through (A) & (C) and replace the Hitch Pin Clip.

Attach Pedestal and Handle

Attach the Pedestal and Handle using (4) 5/16 18 x 2" Hex Head Bolts, (4) Lock Washers and (4) Hex Nuts to the Bottom of the Body. Us (2) 1/4 -20 x 2-3/4" Hex Head Bolts, (2) Rubber Spacers, (2) 1/4 Lock Washers and (2) 1/4 Hex Nuts.

The Head of the 5/16 Bolt fits in to the Body as the bolt go through the Body, Pedistal and Handle then add the Lock Washers and secure with the 5/16 Hex Nut.

The 1/4 x 2-3/4" Hex Head Bolt goes through the front of the Body, through the Rubber Spacer, then the Handle , add the 1/4 Lock Washer and secure with the 1/4 Hex Head Bolt.



Assemble : Axle, Wheels & Tow Bar

Slide axle through Undercarriage and Tow Bar. Center axle, slide on one 3/4" Flat Washer, the Wheel, one more 3/4" Flat Washer and secure with a Cotter Pin. Repeat on the other side.

