

# 15 Cu. Ft. Dump Cart

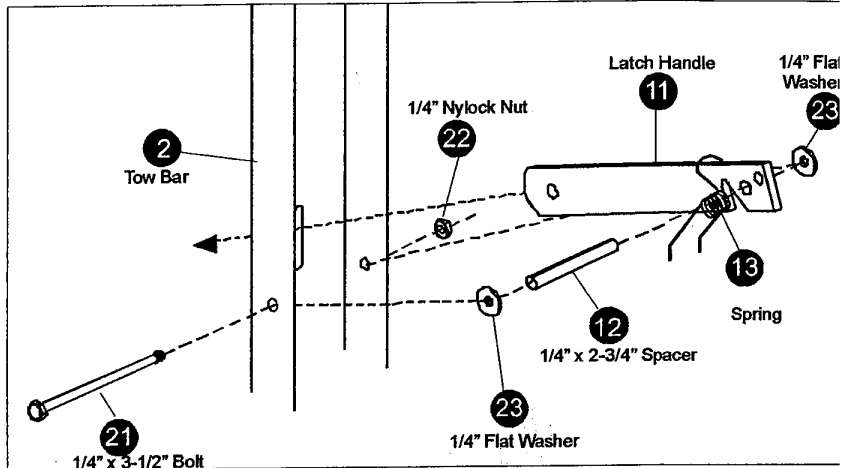
## LC1500 LC1500G

### ASSEMBLY INSTRUCTIONS

#### ASSEMBLY

Remove tailgate and turn cart upside down for ease of assembly.

1.) Insert 1/4" Spacer (12) through Spring (13) and larger hole at bottom of Latch (11). Be sure Spring is attached to Latch as shown. Push Latch down through slot in Tow Bar (2) as shown. **NOTE: Grab the Latch handle from the other side of the Tow Bar and pull down to align the Spacer with the holes in the sides of the Tow Bar.** Slide 1/4" x 3-1/2" Bolt (21) through side of Tow Bar, Washer (23), Spacer, Washer (23), and other side of Tow Bar. Secure with 1/4" Reverse Locknut (22). (Figure 1)



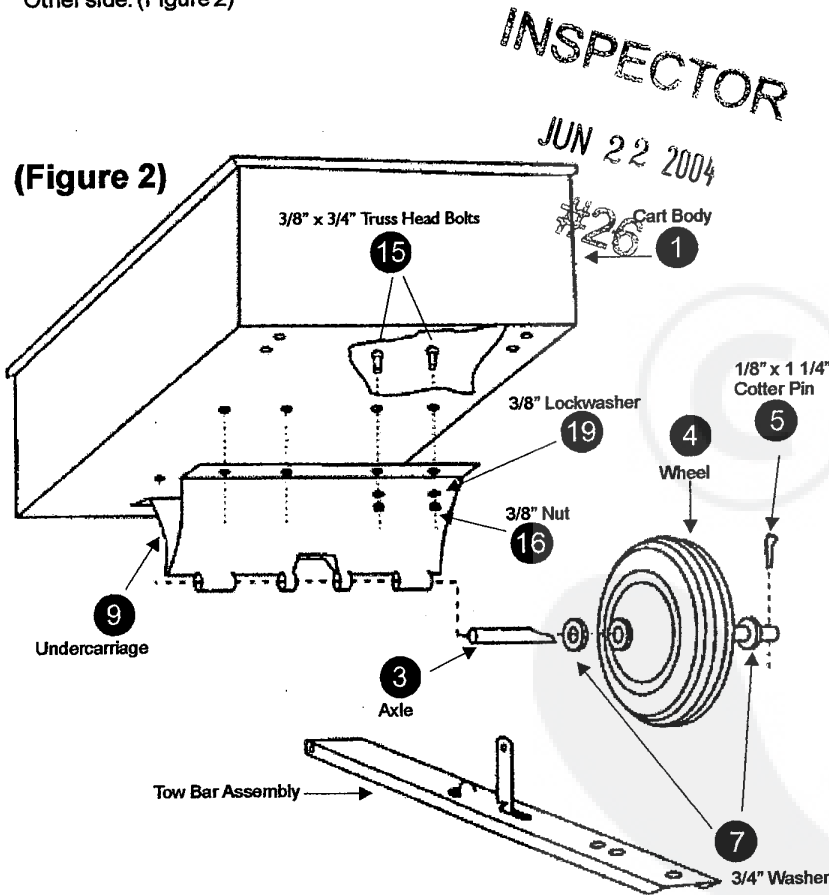
(Figure 1)

2.) Attach Undercarriage Axle Support (9) on bottom of Body (1). Use 3/8" x 3/4" Truss Head bolts (15), 3/8" Lockwashers (19), and secure with 3/8" Nuts (16). Slide Axle (3) through Undercarriage Support and Tow Bar Assembly. (Figure 2)

3.) Center the Axle and place Washer (7) over Axle, Followed by the Wheel (4) and another Washer (7) On the outside of the Wheel (7). (Figure 2)

4.) Secure with Cotter Pin (5). Repeat procedure for the Other side. (Figure 2)

(Figure 2)



INSPECTOR

JUN 22 2004

Ref. No	Parts No	Description	Qty
1	5632B	Body, Black	1
1	5632G	Body, Green	1
2	5622P	Towbar	1
3	5629	Axle	1
4	5522	Wheel	2
5	1262	Cotter Pin	2
6	5631B	Tailgate, Black	1
6	5631G	Tailgate, Green	1
7	1264	3/4" Flat Washer	4
8	4630B	Pedestal	1
9	5630B	Undercarriage Axle Sup.	1
10	1243P	Clevis	1
11	1265P	Latch	1
12	4468	1/4" x 2-3/4" Spacer	1
13	4497	Spring	1
14	1586	5/16" x 3/4" Truss Hd Bolt	4
15	4552	3/8" Bolt	8
16	1273	3/8" Nut	8
17	1248	5/16" Bolt	2
18	1275	5/16" Nut	6
19	1274	3/8" Lock washer	8
20	1276	5/16" Lock washer	6
21	4466	1/4" x 3-1/2" Bolt	1
22	1558	1/4" Nylock Nut	1
23	1817	1/4" Washer	2
24	1840	1/2" x 1-3/4" Clevis Pin	1
25	1042	#14 Hitch Pin Clip	1

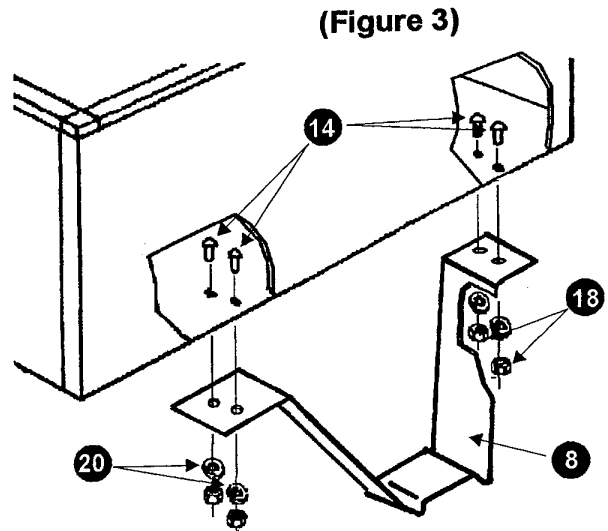
## ASSEMBLY INSTRUCTIONS:

# 15 Cu. Ft. Dump Cart

5.) Bolt Pedestal (8) at front of Body with 5/16" Truss Head Bolts (14) from inside. On the outside use 5/16" Lockwashers (20) and secure with 5/16" Nuts (18). (Figure 3)

6.) Attach Clevis (10) to top of Tow Bar (2) with 5/16" Bolts (17), from bottom side of Tow Bar place 5/16" Lockwashers (20) and 5/16" Nuts (18). (Figure 4)

Tighten all Bolts and slide Tailgate (6) into place between channels at rear of Body.



### OPERATION:

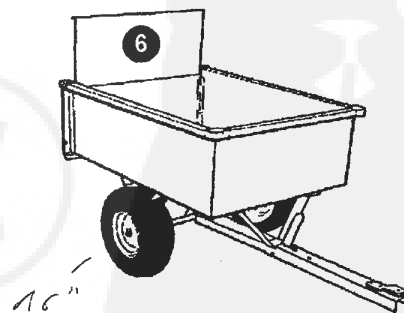
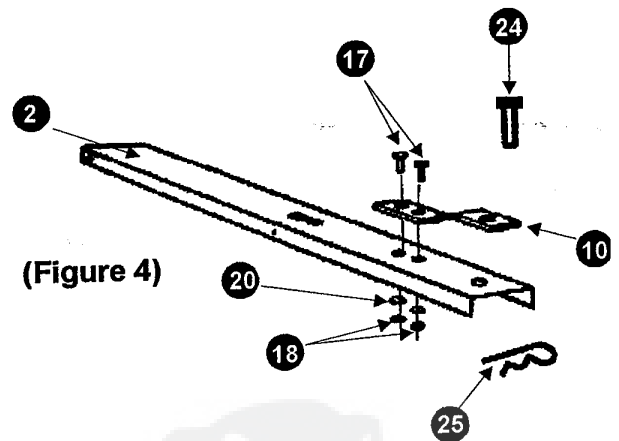
TO DUMP - Pull latch toward mower and Cart Body will tilt back to dump position.  
TO RETURN TO PULLING POSITION - Push down on front edge of Cart Body until Latch engages and secures to Tow Bar.  
Tractor speed should be governed by weight of load. The heavier the load, the slower the speed for safe operation.

### MAINTENANCE:

Grease Wheels at regular intervals, at least every six months, more frequently if used regularly.  
Check tire pressure at regular intervals. Proper inflation will prolong life of tire.

**NOTE:** 1,000 Lbs. Maximum Capacity  
Approximate weight (1) Cu. Ft.  
DIRT-150# SAND-125# GRAVEL-110#  
Max. Speed 4 MPH

**WARNING OF DANGER OF IMPROPER USE OF THIS TRAILER CART. THIS UNIT IS INTENDED FOR USE ONLY WITH RIDING MOWERS OR Garden TRACTORS. IT IS DEFINITELY NOT FOR HIGHWAY USE, BEING PULLED AT HIGH SPEEDS, OR TRANSPORTING PASSENGERS OF ANY SORT. SUCH USE COULD RESULT IN INJURIES FOR WHICH WE CANNOT BE HELD RESPONSIBLE.**



**PLEASE DO NOT RETURN THIS MERCHANDISE TO THE STORE.  
CALL US AND WE WILL TAKE CARE OF ANY PROBLEM YOU MIGHT  
HAVE WITH THIS PRODUCT.**

### LIMITED WARRANTY

This unit is warranted against defects in materials and workmanship to the original purchaser, under normal use and service, for a period of ninety (90) days from date of sale. During the Warranty Period, we will replace at our option free of charge to the original purchaser, any part of the unit that our examination shows to be defective in workmanship or materials. This Warranty does not apply to damage in transit or damage caused by misuse, abuse, neglect, normal wear and tear, or alterations by unauthorized persons.

### HOW TO ORDER PARTS:

When ordering parts, always give model number, part number, part description and inspector number.

**SEND TO:** Parts Division  
316 Limit Street  
Lincoln, IL 62656

Phone (800) 225-5891 Ext. 226  
FAX (217) 735-2435



**PRECISION PRODUCTS, INC.**

316 Limit Street, Lincoln, IL 62656  
Phone (217) 735-1590 FAX (217) 735-2435