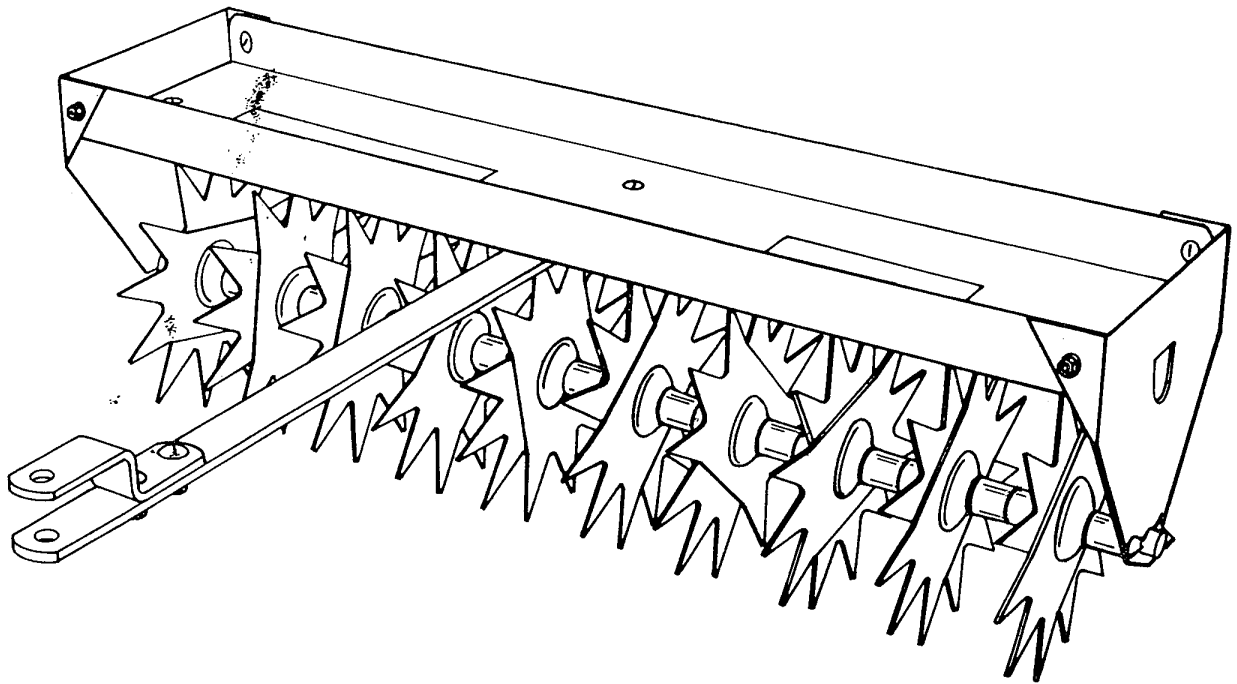


# BRINLY **BH**

## OWNER'S MANUAL



### SLICING AERATOR

SA-361 BH

**"IMPORTANT: THIS MANUAL CONTAINS INFORMATION FOR THE SAFETY OF PERSONS AND PROPERTY. READ IT CAREFULLY BEFORE ASSEMBLY AND OPERATION OF THE EQUIPMENT!"**

#### LIMITED WARRANTY

Brinly-Hardy Company warrants only to the original retail purchaser that this product will remain free of defects in workmanship and materials under normal use and service for a period of two(2) years (NOTE: ninety (90) days for commercial or rental use) commencing with the date of purchase.

Any parts found to be defective within the warranty period will be replaced, with proof of date of purchase, at Brinly Hardy Company's expense. Our obligation under this warranty is expressly limited to replacement or repair, at our option of parts which are defective in material or workmanship within thirty (30) days of receipt of the parts. This warranty does not apply to damage caused by unreasonable use, including failure to provide necessary maintenance, nor does it apply to any transportation or labor charges.

WE MAKE NO OTHER EXPRESS WARRANTY NOR IS ANYONE AUTHORIZED TO MAKE ANY ON OUR BEHALF. ANY IMPLIED OR STATUTORY WARRANTIES, INCLUDING ANY WARRANTY OF MERCHANTABILITY OR FITNESS FOR A PARTICULAR PURPOSE, ARE LIMITED TO THE DURATION OF THIS WRITTEN WARRANTY. WE SHALL NOT BE LIABLE FOR CONSEQUENTIAL OR INCIDENTAL DAMAGES OF ANY KIND.

BRINLY-HARDY COMPANY (502) 585-3351

MADE IN U.S.A.

CONGRATULATIONS on your purchase of this Brinly Implement. It has been designed, engineered, and manufactured to give you the best possible dependability and performance. When correctly assembled and with proper care, your aerator will provide years of trouble-free service.

Periodic use of your Aerator will substantially improve the efficiency of fertilization and seeding programs. It will help control water run-off on slopes and give the soil better moisture retention, resulting in lower maintenance cost.

Please read and retain this manual. The instructions will enable you to assemble and maintain your implement properly. Always observe the "SAFETY RULES".

Should the need ever exist for repair parts, order through most any Lawn and Garden dealer, using part number and description.



## RULES FOR SAFE OPERATION

- Know controls and how to stop quickly. READ THE OWNER'S MANUAL.
- Do not allow children to operate the vehicle, do not allow adults to operate without proper instruction or without having read the owner's manual.
- Do not carry passengers. Keep children and pets a safe distance away.
- Always wear substantial footwear. Do not wear loose fitting clothing that can get caught in moving parts.
- Keep your eyes and mind on your tractor/attachment and area being covered. Do not let other interest distract you.
- Stay alert for holes in the terrain and other hidden hazards:

- Do not drive close to creeks, ditches and public highways.
- Watch out for traffic when crossing or near roadways.
- When using any attachment, don't allow anyone near the vehicle while in operation.
- Keep the vehicle and attachments in good operating condition and keep safety devices in place.
- Keep all nuts, bolts and screws tight to be sure the equipment is in safe working condition.
- The vehicle and attachment should be stopped and inspected for damage after striking a foreign object. The damage should be repaired before restarting and operating the equipment.
- See tractor equipment owner's manual for safe operation of the equipment.



**CAUTION!** When backing - carefully back straight to avoid jackknifing, which could result in damage to equipment.



### WARNING!

- Tines have extremely sharp points. Wear gloves and handle with care.
- Always disconnect Aerator from tractor when cleaning or servicing unit.
- Damage may occur to tines if the Aerator is used while crossing concrete or asphalt walks, drives, or roads.
- To avoid possible personal injury and/or equipment damage, never exceed the recommended operating speed range of 3 to 5 M.P.H.

- Only tow your Aerator behind vehicles for which it was designed, riders/and lawn and garden tractors.
- Do not stand or ride on Aerator, bodily injury could result.
- Do not overload tray. Maximum capacity is 100 lbs.
- Do not attempt to disconnect Aerator from tractor with weight on tray.
- Store unit with tines against wall or floor - to avoid accidental contact.



LOOK FOR THIS SYMBOL TO POINT OUT IMPORTANT SAFETY PRECAUTIONS. IT MEANS - ATTENTION! BECOME ALERT! YOUR SAFETY IS INVOLVED.

## CUSTOMER RESPONSIBILITIES

- Read and observe the "SAFETY RULES".
- Follow a regular schedule in maintaining, caring for, and using your Attachment.

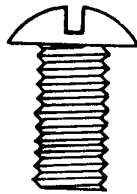
## TABLE OF CONTENTS

WARRANTY.....1	OPERATION.....5
SAFETY RULES.....2	CUSTOMER RESPONSIBILITY.....5
ASSEMBLY.....3 & 4	REPAIR PARTS.....6

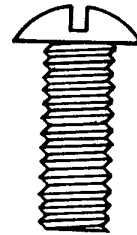
## HARDWARE BAG CONTENTS



No. 12-D-146P  
Hairpin Cotter, 1/8"



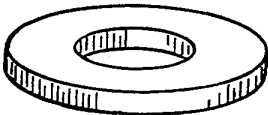
No. 13-20M1012P  
Round Head Screw  
5/16" x 3/4"



No. 14-20M1016P  
Round Head Screw  
5/16" x 1"



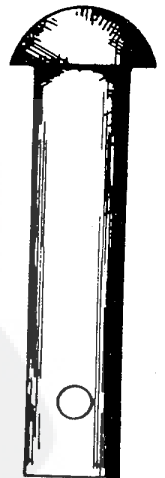
No. 15-30M100C  
Hex Nut, 5/16"



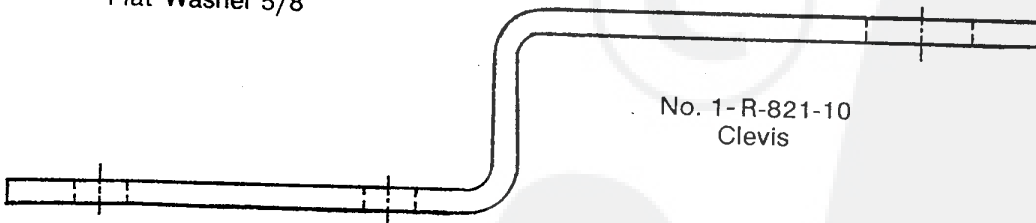
No. 17 - 45M2121P  
Flat Washer 5/8"



No. 16-40M1000P  
Lock Washer, 5/16"



No.18 - B-3861  
Drawbar Pin



No. 1-R-821-10  
Clevis

## ASSEMBLY

- It is recommended that you carefully read this Owner's Manual BEFORE starting assembly of the unit.
- Fold out the carton for use as a pad during assembly and arrange each kind of hardware into a group to ease assembly.

### TOOLS REQUIRED FOR ASSEMBLY

- 1 - Flat Screwdriver
- 1 - 1/2" wrench
- Or
- 1 - Adjustable Wrench
- 1 - Pair Work Gloves

Refer to Fig. 1

- Sit the Tray on the pad with flanges facing up.
- Attach each End Panel (5) to the Tray (3) with the center tab located UNDER the Tray as shown. Use three 5/16" x 3/4" Round Head Screws (13), 5/16" Lock Washers (16), and 5/16" Hex Nuts (15) per side and Hand Tighten.

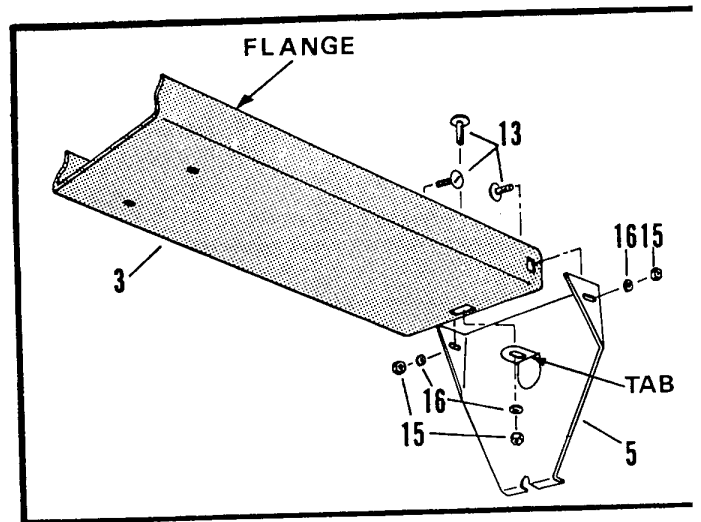


FIG. 1

Refer to Fig. 2

- Attach the Drawbar (4) to the underside of Tray (3) using two 5/16" x 3/4" Round Head Screws (13), 5/16" Lock Washers (16), and 5/16" Hex Nuts (15).
- Attach the Clevis (1) to the Drawbar (4) with two 5/16" x 1" Round Head Screws (14), 5/16" Lock Washers (16), and 5/16" Hex Nuts (15).

NOTE: The inside distance between the two End Panels (5) should be 37" To 37-1/4" for proper assembly. Refer to the illustration.

- Securely tighten all fasteners used in the assembly!

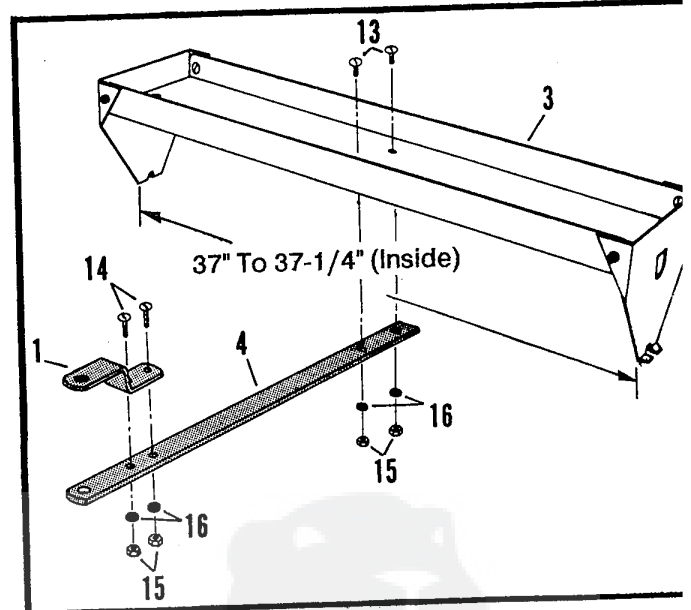


FIG. 2

Refer to Fig 3.

NOTE: Axle may have surface discoloration due to manufacturing processes and will not affect operation of Aerator.



**WARNING!**

- Tines have extremely sharp points. Wear gloves and handle with care.

- Slide a 5/8" Washer (17) onto the Axle (6) followed by the ten Tine/Bearing Assemblies (7). Then slip on another 5/8" Washer (17).
- Turn the Tray upside down with End Panels (5) up.
- Place the Tine/Axle Assembly in the notches of the End Panels (5) with all the Tine/Bearing Assemblies (7) and Washers (17) inside the End Panels (5). Adjust the Axle so that holes near each end are outside the End Panels (5).
- Rotate the Axle (6) so that the holes are in a horizontal position, parallel to tabs. Secure with two Hairpin Cotter (12).
- Be sure straight leg of Hairpin Cotter (12) rests on tab of End Panel as shown.
- Tines should not have room to slide from side to side after assembly. If looseness exists, a 5/8" Washer (17) should be added until Tine/Bearing Assemblies are snug on Axle. Washer should be placed between the End Panel and end Washer.
- Apply Logo Decal (2) to top of Tray as shown on parts page.

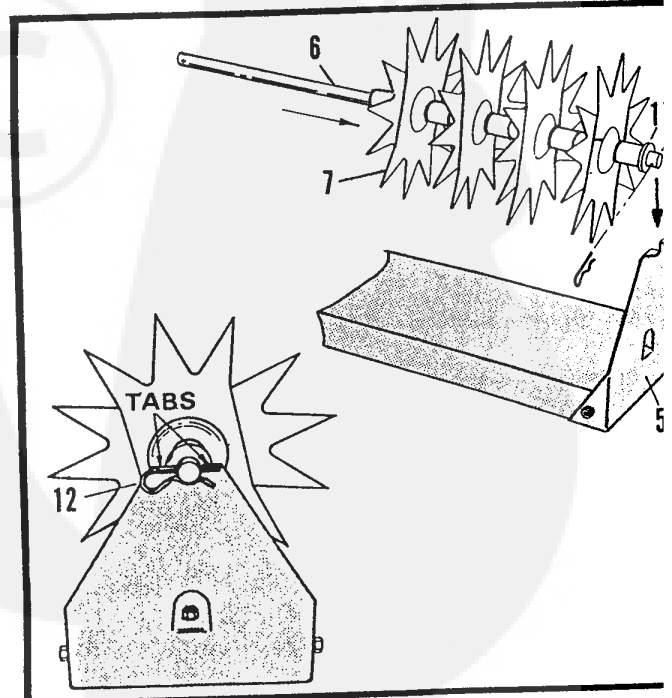



FIG. 3

---

## OPERATION

---


- A moderate soil moisture content is important to proper operation of the Aerator. Penetration will not occur in extremely dry soil, and very wet conditions will cause the unit to "bog down".
- For best penetration, add extra weight to the Tray. Concrete patio blocks are recommended for weight because of their low profiles; however, any type of weight is suitable if it can be tied down to the Tray.



**WARNING!**


- Do not overload Tray. Maximum capacity is 100 lbs.

- If blocks are used, normally two are sufficient for good penetration, provided Lawn isn't too dry.




**WARNING!**

- Damage may occur to Tines if the Aerator is used while crossing concrete or asphalt walks, drives, or roads.

 **CAUTION!** When backing - carefully back straight to avoid jackknifing, which could result in damage to equipment

- Weight should be added with Drawbar attached to Tractor Drawbar and may be secured with rubber tie down straps, bailing wire, nylon rope, or any suitable binding material. Hole in Tray End Plates can be used to secure bindings (See Fig. 1).



**WARNING!**

- Do not attempt to disconnect Aerator from Tractor with weight on Tray.
- Do not stand or ride on Aerator, bodily injury could result.

- The Aerator may be used as a single independent operation, or, in most circumstances, can be used while mowing your grass.


---

## CUSTOMER RESPONSIBILITY

---

- The Aerator is essentially maintenance free. However, as with any steel product, it can rust. To prevent or eliminate rust on Tines, apply a light coat of oil.

- For rust appearing on Tray or Mounting Brackets, just sand lightly and coat with enamel.
- Apply a drop of lubricating oil at each Tine/Bearing Assembly before use.
- Always store in a dry area.

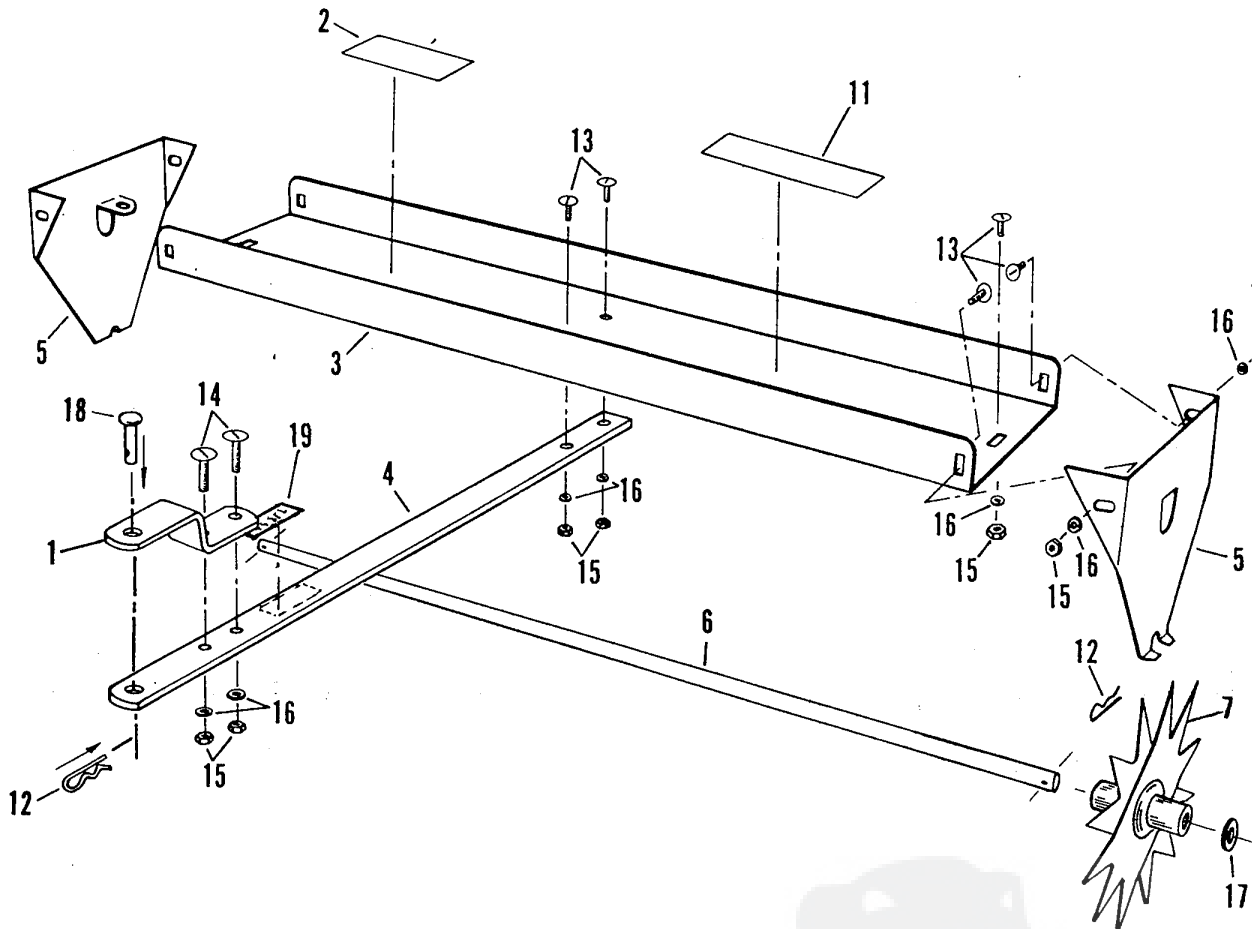


**WARNING!**

- Always disconnect Aerator from Tractor when cleaning or servicing unit.
- Store unit with Tines against wall or floor to avoid accidental contact.
- Shield Tines while Aerator is stored.

**TO ORDER PARTS:**  
 Brinly-Hardy Co.  
 P. O. Box 1116  
 Louisville, Ky. 40201  
 (502) 585-3351

SA-361 BH



### PARTS LIST

Ref. No.	Part No.	Description	Quantity
1	R-821-10	Clevis	1
2	B-4678	Logo Decal	1
3	B-4655-10	Tray	1
4	B-3593-10	Drawbar	1
5	B-4656-10	End Panel	2
6	B-4657	Axle	1
7	B-4658-10	Tine/Bearing Assembly	10
11	B-3678	Caution Decal	1
12	D-146P	Hairpin Cotter, 1/8"	3
13	20M1012P	Round Head Screw, 5/16" x 3/4"	8
14	20M1016P	Round Head Screw, 5/16" x 1"	2
15	30M1000P	Hex Nut, 5/16"	10
16	40M1000P	Lock Washer, 5/16"	10
17	45M2121P	Flat Washer, 5/8"	4
18	B-3861	Drawbar Pin, 1/2" x 2-1/4"	1
19	B-3922	Caution Decal	1