

OREC

ISSUED NO. HRH801/OH-1

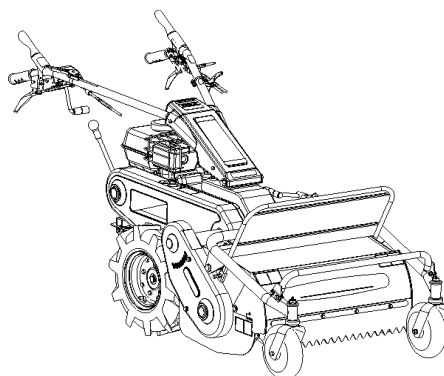
Parts catalogue

FLAIL MOWER

(EXPORT MODEL)

HRH801-OH

MODEL	CODE
HRH801/H	0225-○○○○○○



CONTENTS

Fig. 1	HANDLE	1
Fig. 2	FRAME	4
Fig. 3	TRANSMISSION	10
Fig. 4	HST	15
Fig. 5	ROTARY COVER	17
Fig. 6	ENGINE	22
Fig. 7	LABEL	24

OREC CO.,LTD

Update : Jan 2015

1/25

HANDLE 1/3

Ref.	Parts Number	Parts Name	Quantity	Remarks
1	80-1210-222-00	Handle Setting Collar	1	
2	80-1415-223-00	Handle Bonnet	1	
3	80-1417-253-00	Stopper	1	
4	80-1417-255-00	Lever Grip (Red) 10	1	
5	80-1417-966-00	Clutch Spring	1	
6	80-1614-280-00	Switch Assy	1	
7	0211-70410	Stopper Return Spring	1	
8	0225-72200	Blade Clutch Wire (HRH801/H)	1	
9	0301-71200	Throttle Wire (GX270.340)	1	
10	0305-70200	Lever Cap	1	
11	0320-10200	Wire Arm	1	
12	0320-10300	Knife Tension Lever	1	
13	0320-10400	Lock Lever	1	
14	0320-70200	Knife Wire Return Spring	1	
15	0320-70300	Spring for Lock Lever Return	1	
16	83-1530-463-00	Throttle Lever 27 (Steel)	1	
17	83-1565-328-00	Washer 12*25*2.3	1	
18	89-1158-060102	Cross recess Headed Screw (PWSW) M	4	
19	89-2521-000050	E Type Ring 5	1	
20	89-2521-000100	E Type Ring 10	2	

2/25

HANDLE 2/3

Ref.	Parts Number	Parts Name	Quantity	Remarks
1	80-1614-314-00	Brake Cover	1	
2	0225-10600	Change Drum	1	
3	0225-72400	Change Wire (HRH801/H)	2	
4	0320-10500	Change Brake Stay CMP	1	
5	0320-10600	Change Return Arm	1	
6	0320-10700	Change Lever	1	
7	0320-70400	Change Lever Return Spring	1	
8	0320-70500	Change Return Spring	1	
9	83-1711-426-00	Lever Grip 12	1	
10	85-1711-317-00	Shoe Return Spring	2	
11	85-1711-318-00	Brake Shoe Set	1	
12	89-1111-060402	Hexagonal Bolt M6*40	1	
13	89-1113-060122	Hexagonal Bolt (8T) M6*12	3	
14	89-1543-080003	Mini Hexagonal Nut (SW) M8	4	
15	89-1551-060002	Hexagonal U Nut M6	1	
16	89-1750-060002	Spring Washer 6	3	
17	89-2521-000050	E Type Ring 5	2	
18	89-2521-000070	E Type Ring 7	1	
19	89-2521-000120	E Type Ring 12	1	

3/25**HANDLE 3/3**

Ref.	Parts Number	Parts Name	Quantity	Remarks
1	80-1321-245-00	Lever Arm	1	
2	80-1761-291-00	Lever Cap	1	
3	0225-11100	Lever	1	
4	0225-12300	Handle CMP (HRH801/H)	1	
5	0225-72300	Driving Clutch Wire (HRH801/H)	1	
6	0225-72500	Change Brake Wire (HRH801/H)	1	
7	0320-11200	Driving Clutch Lever (L)	1	
8	0320-11300	Connection Bar CMP	1	
9	0320-11400	Driving Clutch Lever (R)	1	
10	0324-72100	Handle Up/Down, Right/Left Wire	2	
11	83-1560-414-00	Handle Grip 27	2	
12	83-1614-962-00	Side Clutch Wire	2	
13	83-1761-457-00	Side Clutch Lever	2	
14	89-1111-060402	Hexagonal Bolt M6*40	1	
15	89-1113-060552	Hexagonal Bolt (8T) M6*55	2	
16	89-1233-080202	Mini Hexagonal Bolt (PWSW) M8*20	4	
17	89-1551-060002	Hexagonal U Nut M6	3	
18	89-1711-060002	Flat Washer 6	3	
19	89-2131-080002	Snap Pin 8	2	
20	89-2132-060002	Snap Pin 6 (with stopper)	2	
21	89-2521-000050	E Type Ring 5	1	
22	89-2521-000100	E Type Ring 10	1	

Ref.	Parts Number	Parts Name	Quantity	Remarks
1	80-1310-228-00	Handle Fix Nut	2	
2	80-1565-413-10	Wheel Boss	2	
3	80-1751-411-00	Tire (L) Assy (16*7.00-8)	1	
4	80-1751-412-00	Tire (R) Assy (16*7.00-8)	1	
5	83-1210-133-00	Setting Bolt M12*160	1	
6	89-1111-100202	Hexagonal Bolt M10*20	8	
7	89-1511-100042	Hexagonal Nut M10	8	
8	89-1750-100002	Spring Washer 10	8	
9	89-1750-120002	Spring Washer 12	2	
10	89-2150-070500	Key 7*50 (round)	2	
11	89-2511-000220	Snap Ring (S22)	2	
12	Handle Part	-	1	Page. 1 ~

Ref.	Parts Number	Parts Name	Quantity	Remarks
1	0225-02400	HST Oil Tank Setting CMP (HRH801/H)	1	
2	0225-60200	Sub Side Cover	1	
3	0225-60300	Side Cover & Nut Set	1	
4	89-1137-060152	Hexagonal Bolt (PW) M6*15	5	
5	89-1233-080162	Mini Hexagonal Bolt (PWSW) M8*16	2	
6	89-1531-060042	Flange Nut M6	2	
7	89-5222-040000	O Ring G40	2	
8	HST Part	-	1	Page. 15 ~

6/25

FRAME 3/6

Ref.	Parts Number	Parts Name	Quantity	Remarks
1	80-1210-216-00	Stopper Pin	2	
2	80-1210-217-00	Stopper Spring	2	
3	80-1310-203-00	Turntable for Handle	1	
4	80-1310-215-00	Stopper Cap	2	
5	0225-12500	Under Bonnet CMP (HRH801/H)	1	
6	0302-10100	Handle Up/Down Stopper Arm CMP (GX)	1	
7	0302-60100	Belt Cover Outside CMP (GX340)	1	
8	89-1211-100202	Mini Hexagonal Bolt M10*20	4	
9	89-1233-080162	Mini Hexagonal Bolt (PWSW) M8*16	2	
10	89-1253-080162	Flange Mini Hexagonal Bolt (8T) M8*16	2	
11	89-1713-100002	Flat Washer 10 (large)	2	
12	89-1750-080002	Spring Washer 8	2	
13	89-1750-100002	Spring Washer 10	4	
14	89-2511-000850	Snap Ring (S85)	1	

7/25

FRAME 4/6

Ref.	Parts Number	Parts Name	Quantity	Remarks
1	80-1560-551-00	Return Spring	2	
2	80-1614-374-30	Brake Rod	1	
3	80-1614-552-00	Tension Spring	2	
4	0225-40200	Transmission Pulley	1	
5	0225-40300	Driving Tension Arm	1	
6	0225-40600	Belt Holder	1	
7	0225-71900	Hexagonal U Nut M10 (Thin Type)	1	
8	0256-40400	Knife Tension Arm	1	
9	83-1032-765-00	Tension Pulley	2	
10	89-1233-080162	Mini Hexagonal Bolt (PWSW) M8*16	1	
11	89-1712-100002	Flat Washer 10*21*2.1	1	
12	89-2150-050200	Key 5*20 (round)	1	
13	89-2511-000170	Snap Ring (S17)	2	
14	89-2512-000400	Snap Ring (R40)	2	
15	89-2521-000150	E Type Ring 15	2	
16	89-3115-062034	Bearing 6203 2RS	2	

8/25

FRAME 5/6

Ref.	Parts Number	Parts Name	Quantity	Remarks
1	80-1614-314-00	Brake Cover	1	
2	0225-30210	Brake Support Arm	1	
3	0225-30300	Brake Pulling Spring	1	
4	0225-30500	Adjuster Fitting	1	
5	0225-31300	Brake Shoe Set (W2019)	1	
6	0225-40400	Belt Cover Inside CMP	1	
7	0225-40800	Drive Brake Pulling Spring	1	
8	0225-40900	Brake Stopper CMP	1	
9	85-1711-315-00	Brake Drum	1	
10	85-1711-317-00	Shoe Return Spring	2	
11	89-1111-060402	Hexagonal Bolt M6*40	1	
12	89-1113-060352	Hexagonal Bolt (8T) M6*35	1	
13	89-1132-060122	Hexagonal Bolt (SW) M6*12	3	
14	89-1137-060152	Hexagonal Bolt (PW) M6*15	1	
15	89-1213-100202	Mini Hexagonal Bolt (8T) M10*20	4	
16	89-1233-080162	Mini Hexagonal Bolt (PWSW) M8*16	3	
17	89-1511-060042	Hexagonal Nut M6	4	
18	89-1551-060002	Hexagonal U Nut M6	1	
19	89-1750-100002	Spring Washer 10	4	
20	89-2511-000140	Snap Ring (S14)	1	
21	89-5222-030000	O Ring G30	1	
22	Rotary Cover Part	-	1	Page. 17 ~
23	Engine Part	-	1	Page. 22 ~

9/25

FRAME 6/6

Ref.	Parts Number	Parts Name	Quantity	Remarks
1	80-1415-326-00	Rear Bracket	1	
2	0225-01000	Transmission Case Assy	1	
3	0225-12200	Under Bonnet Setting CMP (HRH801/H)	1	
4	0291-20100	Main Frame (R) CMP (GX340)	1	
5	0291-20200	Main Frame (L) CMP (GX340)	1	
6	89-1232-080162	Mini Hexagonal Bolt (SW) M8*16	4	
7	89-1253-080853	Flange Mini Hexagonal Bolt (8T) M8*85	1	
8	89-1253-081503	Flange Mini Hexagonal Bolt (8T) M8*150	3	
9	89-1543-080002	Mini Hexagonal Nut (SW) M8	4	
10	89-1711-060002	Flat Washer 6	2	
11	89-2132-060002	Snap Pin 6 (with stopper)	2	

10/25**TRANSMISSION 1/5**

Ref.	Parts Number	Parts Name	Quantity	Remarks
1	80-1565-153-00	Side Clutch Arm	2	
2	0225-00900	Receiver for Side Clutch Wire	1	
3	89-1232-080162	Mini Hexagonal Bolt (SW) M8*16	2	
4	89-1543-080002	Mini Hexagonal Nut (SW) M8	2	
5	89-5222-040000	O Ring G40	2	
6	HST Part	-	1	Page. 15 ~

11/25**TRANSMISSION 2/5**

Ref.	Parts Number	Parts Name	Quantity	Remarks
1	0225-01800	Reinforcement Pipe	2	
2	83-1020-349-00	Copper Packing 10.5*18*1.6	1	
3	83-1484-255-00	Lock Nut ZUF M8	6	
4	89-1251-080703	Flange Mini Hexagonal Bolt M8*70	1	
5	89-1251-100122	Flange Mini Hexagonal Bolt M10*12	1	
6	89-1253-080653	Flange Mini Hexagonal Bolt (8T) M8*65	4	
7	89-1253-081403	Flange Mini Hexagonal Bolt (8T) M8*140	5	

12/25

TRANSMISSION 3/5

Ref.	Parts Number	Parts Name	Quantity	Remarks
1	80-1310-150-10	Shaft Pin	1	
2	80-1415-114-00	Side Clutch Fork	1	
3	80-1425-112-00	Driving Clutch Folk Shaft	1	
4	0204-00100	Axle CMP	1	
5	0225-00100	Transmission Case (R)	1	
6	0225-00600	Shaft BB Case (R)	1	
7	0225-70800	Blind Cover 40	1	
8	0225-70900	Blind Cover 25	1	
9	0225-72100	Seal Bolt (SW) M8*18	4	
10	0297-08000	Oil Seal AP 35.55.16	1	
11	83-1415-671-00	Blind Cover 22	1	
12	83-1415-672-00	Blind Cover 30	1	
13	89-1151-060102	Cross recess Headed Screw M6*10	3	
14	89-2111-030020	Spring Pin 3*20	1	
15	89-2111-050020	Spring Pin 5*20	1	
16	89-2512-000550	Snap Ring (R55)	1	
17	89-3111-060064	Bearing 6006	1	
18	89-5121-122207	Oil Seal UE 12.22.7	1	
19	89-5222-030000	O Ring G30	1	

13/25

TRANSMISSION 4/5

Ref.	Parts Number	Parts Name	Quantity	Remarks
1	80-1032-140-00	Side Clutch Shaft	1	
2	80-1032-141-00	Side Clutch Gear 14T	2	
3	80-1575-142-00	Side Clutch Gear 38T	1	
4	80-1575-162-00	Side Clutch Spring	2	
5	0225-00300	B Axle	1	
6	0225-00400	C Axle	1	
7	0225-00500	D Axle	1	
8	83-1633-362-10	Thrust Washer 15*30*1.2	2	
9	89-2511-000150	Snap Ring (S15)	2	
10	89-2511-000200	Snap Ring (S20)	2	
11	89-3111-062024	Bearing 6202	8	
12	89-5121-152507	Oil Seal UE 15.25.7	1	
13	89-5121-153007	Oil Seal UE 15.30.7	1	

14/25

TRANSMISSION 5/5

Ref.	Parts Number	Parts Name	Quantity	Remarks
1	80-1415-114-00	Side Clutch Fork	1	
2	80-1425-112-00	Driving Clutch Folk Shaft	1	
3	0204-00100	Axle CMP	1	
4	0225-00200	Transmission Case (L)	1	
5	0225-00700	Shaft BB Case (L)	1	
6	0225-71100	Oil Gauge 20	1	
7	0225-72100	Seal Bolt (SW) M8*18	4	
8	0297-08000	Oil Seal AP 35.55.16	1	
9	83-1415-671-00	Blind Cover 22	1	
10	83-1517-685-00	Oil Cap 20	1	
11	89-2111-030020	Spring Pin 3*20	1	
12	89-2111-050020	Spring Pin 5*20	1	
13	89-2512-000550	Snap Ring (R55)	1	
14	89-3111-060064	Bearing 6006	1	
15	89-5121-122207	Oil Seal UE 12.22.7	1	

15/25**HST 1/2**

Ref.	Parts Number	Parts Name	Quantity	Remarks
1	0225-00810	Control Arm CMP	1	
2	0225-01500	Port Joint	1	
3	0225-01600	Port Joint Adapter	1	
4	0228-70200	Hose Band 24	2	
5	0244-72700	HST Oil Hose	1	
6	0289-71200	Waterproof Packing	1	
7	0312-01800	HST Oil Tank Cap	1	
8	0320-06100	HST Oil Tank CMP	1	
9	89-1113-060162	Hexagonal Bolt (8T) M6*16	1	
10	89-1511-060042	Hexagonal Nut M6	1	
11	89-2150-050150	Key 5*15 (round)	1	

16/25

HST 2/2

Ref.	Parts Number	Parts Name	Quantity	Remarks
1	0225-01110	Fan Cover CMP	1	
2	0225-02100	HST Unit	1	
3	0225-02200	Fan	1	
4	0225-02300	Fan Cover Setting Bolt M8	2	
5	89-1132-060122	Hexagonal Bolt (SW) M6*12	2	
6	89-1172-060065	Hexagonal Hole Screw M6*6	1	
7	89-1233-080162	Mini Hexagonal Bolt (PWSW) M8*16	2	
8	89-1253-080402	Flange Mini Hexagonal Bolt (8T) M8*40	2	
9	89-1711-080002	Flat Washer 8	2	
10	89-1750-080002	Spring Washer 8	4	
11	89-2150-050150	Key 5*15 (round)	1	

17/25

ROTARY COVER 1/5

Ref.	Parts Number	Parts Name	Quantity	Remarks
1	80-1614-906-00	Label, Safety Cover	1	
2	0204-60700	Safety Cover	1	
3	0204-61200	Front Bumper	1	
4	0223-76100	Label, Caution (Large)	1	
5	0285-61200	Height Adjusting Bolt Receiver CMP	1	
6	0285-62400	Height Adjusting Bolt CMP	1	
7	0285-77000	Round Head Pin 10*80	1	
8	83-1210-425-00	Lever Grip 10	1	
9	84-1723-739-00	Cutting Height Adjusting Handle	1	
10	89-1211-080252	Mini Hexagonal Bolt M8*25	2	
11	89-1253-080202	Flange Mini Hexagonal Bolt (8T) M8*20	4	
12	89-1543-080002	Mini Hexagonal Nut (SW) M8	4	
13	89-1611-080042	Mini Hexagonal Nut M8	2	
14	89-1711-100002	Flat Washer 10*18*1.6	2	
15	89-1714-120002	Flat Washer 12	1	
16	89-2111-050022	Spring Pin 5*22	1	
17	89-2131-100002	Snap Pin 10	1	
18	89-2181-100502	Flat Head Pin 10*50	1	

18/25

ROTARY COVER 2/5

Ref.	Parts Number	Parts Name	Quantity	Remarks
1	80-1488-928-10	Label, Caution for Belt Involving	1	
2	80-1610-714-00	Front Arm Setting Shaft	2	
3	80-1614-725-20	Front Wheel Fork	2	
4	80-1614-726-00	Front Wheel Collar	2	
5	80-1614-727-00	Front Wheel	2	
6	0204-61100	Front Arm CMP	1	
7	0256-60700	Dust Cover	2	
8	83-1415-975-00	Grease Nipple M6	2	
9	83-1610-192-00	Hexagonal Nut (slender) M12 P=1.25	2	
10	83-1613-907-00	Label, Caution for Hand and Leg	4	
11	83-1783-376-00	Thrust Washer 25*34*1.0	2	
12	84-1783-791-00	Grease Nipple Bolt M14	2	
13	89-1211-100952	Mini Hexagonal Bolt M10*95	2	
14	89-1543-100002	Mini Hexagonal Nut (SW) M10	2	
15	89-1714-120002	Flat Washer 12	2	
16	89-1750-120002	Spring Washer 12	2	
17	89-1750-140002	Spring Washer 14	2	
18	89-3370-051105	Thrust Bearing 51105	2	

19/25

ROTARY COVER 3/5

Ref.	Parts Number	Parts Name	Quantity	Remarks
1	80-1182-527-00	Tension Pulling Bolt	1	
2	80-1614-315-00	Return Spring	1	
3	80-1614-694-10	Knife Belt Cover	1	
4	0204-60300	Front Cover CMP	1	
5	0204-60400	Front Flapper	1	
6	0204-60500	Rear Flapper	1	
7	0204-60600	Flapper Holder	2	
8	0211-63200	Front Tension Arm CMP	1	
9	83-1032-765-00	Tension Pulley	1	
10	83-1630-342-00	Washer 16*26*2.3	2	
11	89-1137-060152	Hexagonal Bolt (PW) M6*15	12	
12	89-1233-080162	Mini Hexagonal Bolt (PWSW) M8*16	2	
13	89-1581-060042	Flange Cap Nut M6	12	
14	89-1611-080042	Mini Hexagonal Nut M8	2	
15	89-2511-000170	Snap Ring (S17)	1	
16	89-2512-000400	Snap Ring (R40)	1	
17	89-2521-000120	E Type Ring 12	2	
18	89-2521-000150	E Type Ring 15	1	
19	89-3115-062034	Bearing 6203 2RS	1	
20	89-6123-003902	V Belt SB-39 (W800)	1	

20/25

ROTARY COVER 4/5

Ref.	Parts Number	Parts Name	Quantity	Remarks
1	80-1614-373-20	Knife Brake Spring	1	
2	80-1614-634-20	Knife Pulley 155	1	
3	80-1614-636-00	Supporter Pulley	2	
4	0204-40110	Supporter Shaft	1	
5	0204-40200	Supporter Pipe CMP	1	
6	0212-72100	Hexagonal Bolt(8T) M10*25(Meck)	2	
7	0231-37100	Knife Brake	1	
8	83-1565-315-00	Washer 8*36*4.5	2	
9	83-1610-125-00	Hexagonal Bolt (8T) M10*35	1	
10	83-1610-322-00	Washer 10*36*6	1	
11	89-1213-080182	Mini Hexagonal Bolt (8T) M8*18	4	
12	89-1750-080002	Spring Washer 8	4	
13	89-1750-100002	Spring Washer 10	3	
14	89-2151-050350	Key 5*35 (half round)	2	
15	89-2151-070300	Key 7*30 (half round)	1	
16	89-2521-000150	E Type Ring 15	1	
17	89-3115-060044	Bearing 6004 2RS	2	

21/25

ROTARY COVER 5/5

Ref.	Parts Number	Parts Name	Quantity	Remarks
1	80-1610-804-00	BB Case	2	
2	80-1610-821-00	Hammer Knife Blade	46	
3	80-1612-813-00	Dust Cover	2	
4	80-1614-705-00	Flat Head Bolt M8*18	6	
5	80-1614-810-00	BB Case Cover	1	
6	0204-50000	Knife Drum ASSY	1	
7	0204-60110	Rotary Cover CMP	1	
8	0285-60400	Knife Shaft BB Case Holder	1	
9	83-1610-124-00	Hexagonal Bolt (8T) M10*25 (left screw)	1	
10	83-1610-321-00	Washer 10*36*4.5	1	
11	83-1610-835-00	Knife Setting Bolt Set	23	
12	89-1253-080162	Flange Mini Hexagonal Bolt (8T) M8*16	8	
13	89-1671-080042	Mini Cap Nut M8	6	
14	89-1750-080002	Spring Washer 8	14	
15	89-1812-100002	Toothed washer (inside) 10	1	
16	89-2512-000620	Snap Ring (R62)	2	
17	89-3115-062064	Bearing 6206 2RS	2	
18	0285-60100	Knife Shaft BB Case Set	1	

22/25

ENGINE 1/2

Ref.	Parts Number	Parts Name	Quantity	Remarks
1	0302-60200	Recoil Cover CMP (GX340)	1	
2	0304-61800	Recoil Cover Setting Bolt (GX270.340)	3	
3	0304-62400	Muffler Guard CMP (GX340)	1	
4	89-1111-060352	Hexagonal Bolt M6*35	1	
5	89-1251-050163	Flange Hexagonal Bolt M5*16	2	
6	89-1251-060102	Flange Hexagonal Bolt M6*10	3	

23/25

ENGINE 2/2

Ref.	Parts Number	Parts Name	Quantity	Remarks
1	0225-40100	Engine Pulley	1	
2	0225-41100	Belt Holder CMP (HRH801/H)	1	
3	0302-21100	Engine Base CMP (GX340)	1	
4	0310-40200	Engine Collar ϕ 34	1	
5	83-1565-315-00	Washer 8*36*4.5	1	
6	89-1211-100452	Mini Hexagonal Bolt M10*45	4	
7	89-1213-080402	Mini Hexagonal Bolt (8T) M8*40	1	
8	89-1233-080162	Mini Hexagonal Bolt (PWSW) M8*16	2	
9	89-1543-100002	Mini Hexagonal Nut (SW) M10	8	
10	89-1713-100002	Flat Washer 10 (large)	6	
11	89-1750-080002	Spring Washer 8	1	
12	89-2151-070400	Key 7*40 (half round)	1	
13	89-6122-004102	V Belt SA-41 (W800)	1	
14	89-6123-006302	V Belt SB-63 (W800)	1	
15	9010-0071	GX340UT2 SE	1	

25/25**LABEL 2/2**

Ref.	Parts Number	Parts Name	Quantity	Remarks
1	80-1488-928-10	Label, Caution for Belt Involving	2	
2	80-1614-904-00	Label, Bonnet	1	
3	80-1614-905-00	Label, Belt Case	1	
4	80-1614-906-00	Label, Safety Cover	1	
5	0202-74400	Label, Noise 104db	1	
6	0215-83200	Label, Protection Equipment	1	
7	0223-72910	Attention Mark for Slope	1	
8	0223-76100	Label, Caution (Large)	1	
9	0225-70600	Label, HST	1	
10	0225-70700	Label, Model	1	
11	0225-72600	Label, Driving & Blade	1	
12	0225-72700	Label, Change	1	
13	0301-70500	Label, Throttle(GX270.340)	1	
14	0304-71500	Label for Left Screw	1	
15	83-1050-901-00	Label, OREC	1	
16	83-1310-902-00	OREC Mark	1	
17	83-1415-927-00	Label,Oil Quantity 1.4L	1	
18	83-1613-907-10	Label, Caution for Hand and Leg	4	