

OREC PARTS CATALOG

BARDIE POWER UNIT

BX80

MODEL	PARTS CODE
BX80	

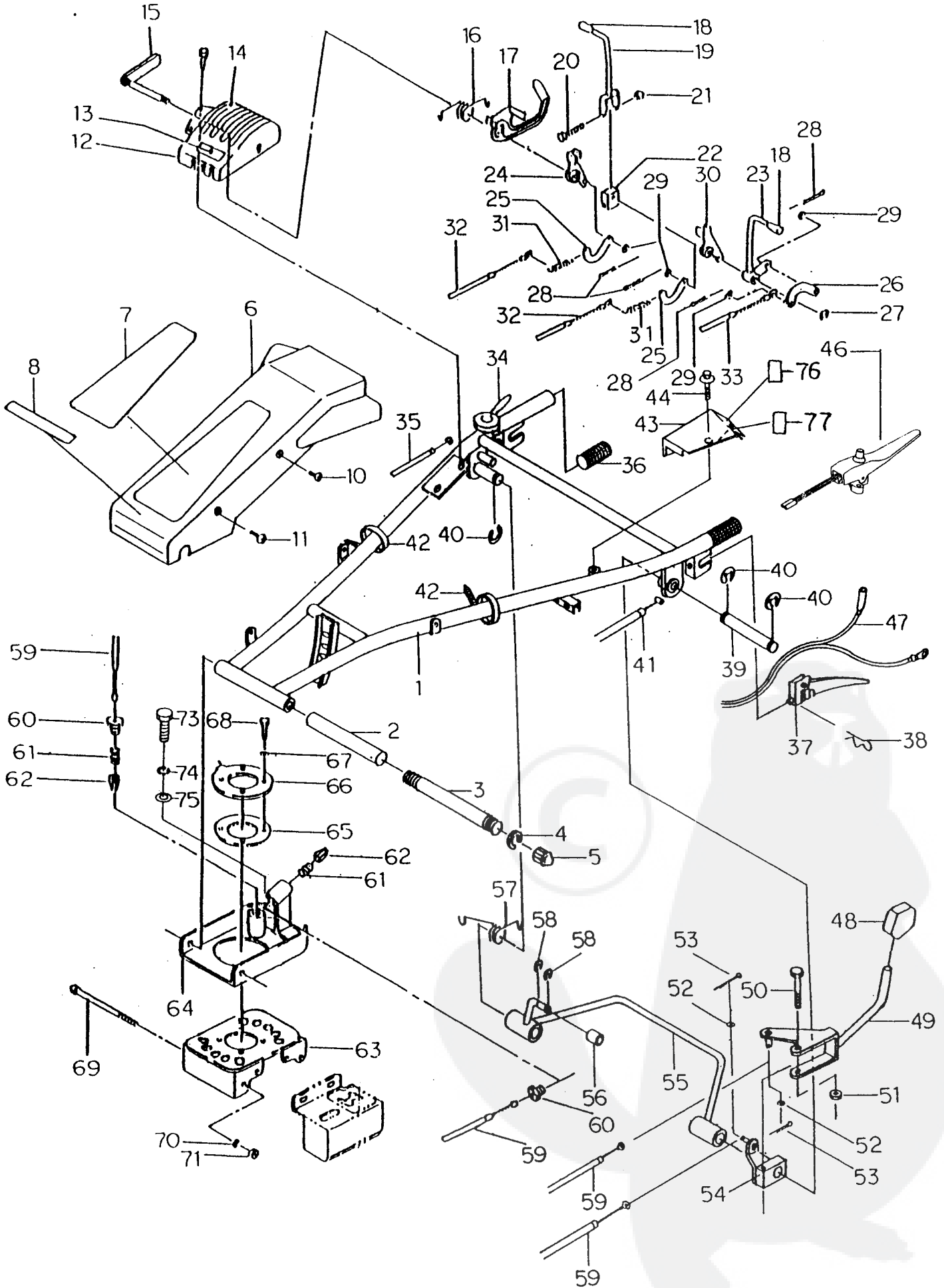
«CONTENTS»

FIG 1	CONTROL SYSTEM-----	1
FIG 2	TRANSMISSION CASE-----	5
FIG 3	CHANGE LEVER-----	7
FIG 4	BELT COVER, ENGINE BASE, HITCH & WHEEL-----	9

December 2000
TECHNO GREEN LTD.

BX80 PARTS LIST

FIG. 1 Control System



BX80

(Int.) means "Interchangeability" against old parts.

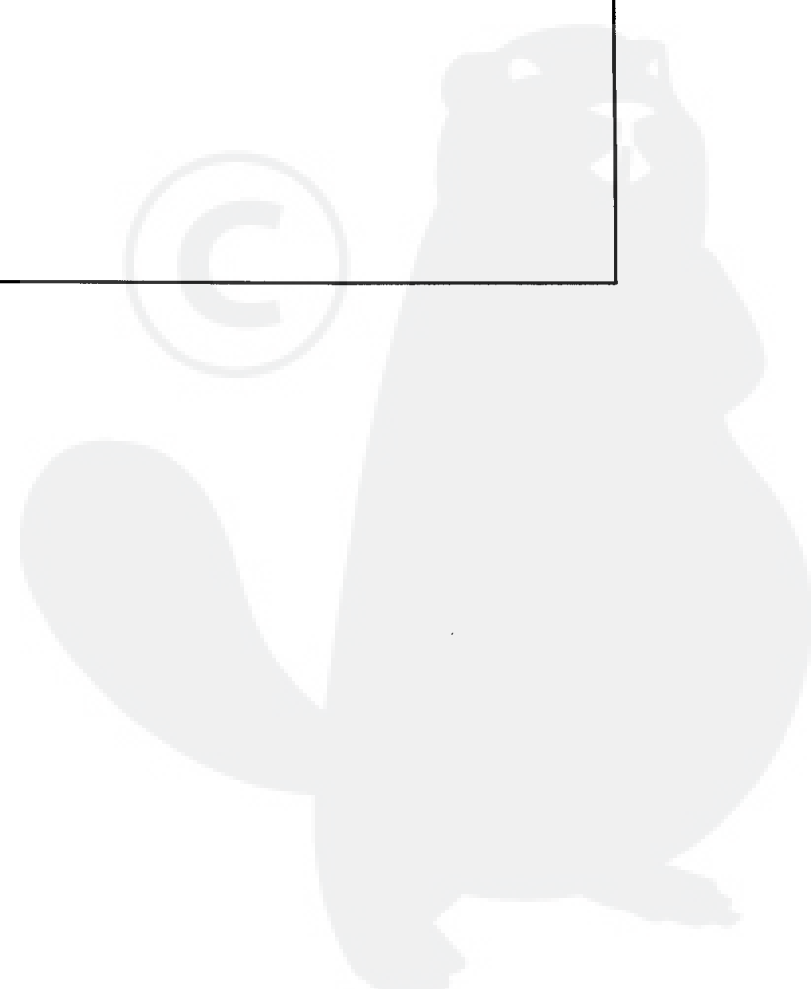
FIG. 1 Control System

Ref	Parts No.	Parts Name	Qty	Remarks	(Int.)
1	80-1761-221-00	Handle CMP	1		
1	80-1761-221-10	Handle CMP	1	*1, *12	No
2	80-1210-222-00	Handle Setting Collar	1		
3	83-1210-133-00	Setting Bolt M12X160	1		
4	89-1750-120002	Spring Washer 12	2		
5	89-1571-120042	Cap Nut M12	2		
6	80-1310-223-00	Handle Bonnet	1		
7	80-1761-904-00	Name Plate	1		
8	83-1020-902-00	Label, OREC (Small)	1		
10	89-1151-060102	Crossrecessed Headed Screw M6*10	2		
11	89-1151-060122	Crossrecessed Headed Screw M6*12	2		
12-30	80-1761-230-00	Tension Lever Case Assy	1		
12	80-1761-231-00	Tension Lever Case	1		
13	80-1761-914-00	Label	1	*7	Yes
14	80-1751-912-00	Label	1		
15	80-1761-233-20	Tension Lever Axis	1	*5	Yes
16	80-1751-248-10	Brake Spring	1		
17	80-1761-247-10	Stop Brake Lever	1	*3	Yes
18	83-1210-425-00	Grip 10	2		
19	80-1751-241-00	Clutch Lever	1		
20	89-1111-060402	Hexagonal Bolt M6X40	1		
20	89-1113-060402	Hexagonal Bolt (8T) M6*40	1		
21	89-1551-060002	U Nut M6	2		
22	80-1751-242-00	Double Tension Lever Boss	1		
23	80-1761-251-00	PTO Clutch Lever	1		
24	80-1751-244-00	Tension Lever	1		
25	80-1751-245-00	Double Tension Joint	2		
26	80-1751-255-00	Joint	1		
27	89-2521-000080	E Ring 8	1		
28	89-2120-200152	Split Pin 2X15	4		
29	89-1711-060002	Washer 6	4		
30	80-1751-243-00	Tension Lever Stopper (Left)	1		
31	80-1751-246-00	Clutch Spring (FR)	2		
32	83-1761-934-00	W Tension Wire	2		
33	83-1761-949-00	Pto Clutch Wire	1		
34	83-1560-463-00	Throttle Lever 27	1		
35	83-1761-951-00	Throttle Wire (M)	1	Mitsubishi	
	83-1761-952-00	Throttle Wire (K)	1	Kawasaki	
36	83-1560-414-00	Grip 27	2		
37	83-1761-457-00	Side Clutch Lever	2		
37	83-1210-457-00	Side Clutch Lever 3101	2	*1	No
38	Discontinued	Snap Pin 8	2		
39	80-1761-283-00	Axis	1		
40	89-2521-000100	E-Type Ring 10	3		
41	83-1761-962-00	Side Clutch Wire	2		
41	83-1761-962-10	Side Clutch Wire	2	*3	Yes
42	83-1415-718-00	Wire Band 150	2		
43	80-1761-235-00	Upper Cover	1		
43	80-1761-235-10	Upper Cover	1	*1	Yes
44	89-1137-060122	Hexagonal Bolt (PW) M6*12	1		
46	80-1613-950-00	Engine Stop Lever Assy.	1		
47	80-1613-953-00	Harness Assy.	1		
48	80-1761-291-00	Lever Cap	1		
49	80-1761-281-00	Lever	1		
50	89-1111-060402	Hexagonal Bolt M6X40	1		
50	89-1113-060402	Hexagonal Bolt (8T) M6*40	1		

51	89-1551-060002	U Nut M6	1		
52	89-1711-060002	Washer 6	2		
53	89-2120-200152	Split Pin 2X15	2		
54	80-1761-282-00	Arm	1		
54	80-1761-282-10	Arm	1		Yes
55	80-1761-284-00	Safety Stop Lever	1		
55	80-1761-284-10	Safety Stop Lever	1		Yes
56	80-1761-286-00	Stay Roller	1		
57	80-1761-285-00	Spring	1		
58	89-2521-000080	E Ring 8	2		
59	83-1761-965-00	Handle Wire	2		
60	80-1310-215-00	Stopper Cap	2		
61	80-1210-217-00	Stopper Spring	2		
62	80-1210-216-00	Stopper Pin	2		
63	80-1761-201-00	Handle BK	1		
64	80-1761-203-00	Turntable For Handle	1		
65	80-1711-205-00	Plate, Spacer	1		
66	80-1711-206-00	Plate, Push	1		
66	80-1761-206-00	Plate, Push	1	*1	No
67	89-1750-100002	Spring Washer 10	4		
68	83-1711-127-00	Hexagonal Bolt M10X33	4		
69	89-1113-101402	Hexagonal Bolt (8T) M10X140	2		
69	89-1213-101402	Mini Hexagonal Bolt (8T) M10*140	2		
70	89-1750-100002	Spring Washer 10	2		
71	89-1511-100042	Hexagonal Nut M10	2		
73	89-1113-080302	Hexagonal Bolt (8T) M8*30	1		
74	89-1750-080002	Spring Washer 8	1		
75	89-1711-080002	Washer 8	1		
76	80-1614-918-00	Label, Handle Right/Left	1		
77	80-1614-917-00	Label, Handle Up/Down	1		

M E M O

- *1)Serial Number : After WA95G00001~
- *2)Serial Number : After WA96F00001~
- *3)Serial Number : After WA97K00001~
- *4)Serial Number : After WA98A00048~
- *5)Serial Number : After WA98J00018~
- *6)Serial Number : After WA99K00033~
- *7)Serial Number : After WA00E00050~
- *12) Different setting of Side Clutch Lever.



BX80 PARTS LIST

FIG. 2 Transmission Case

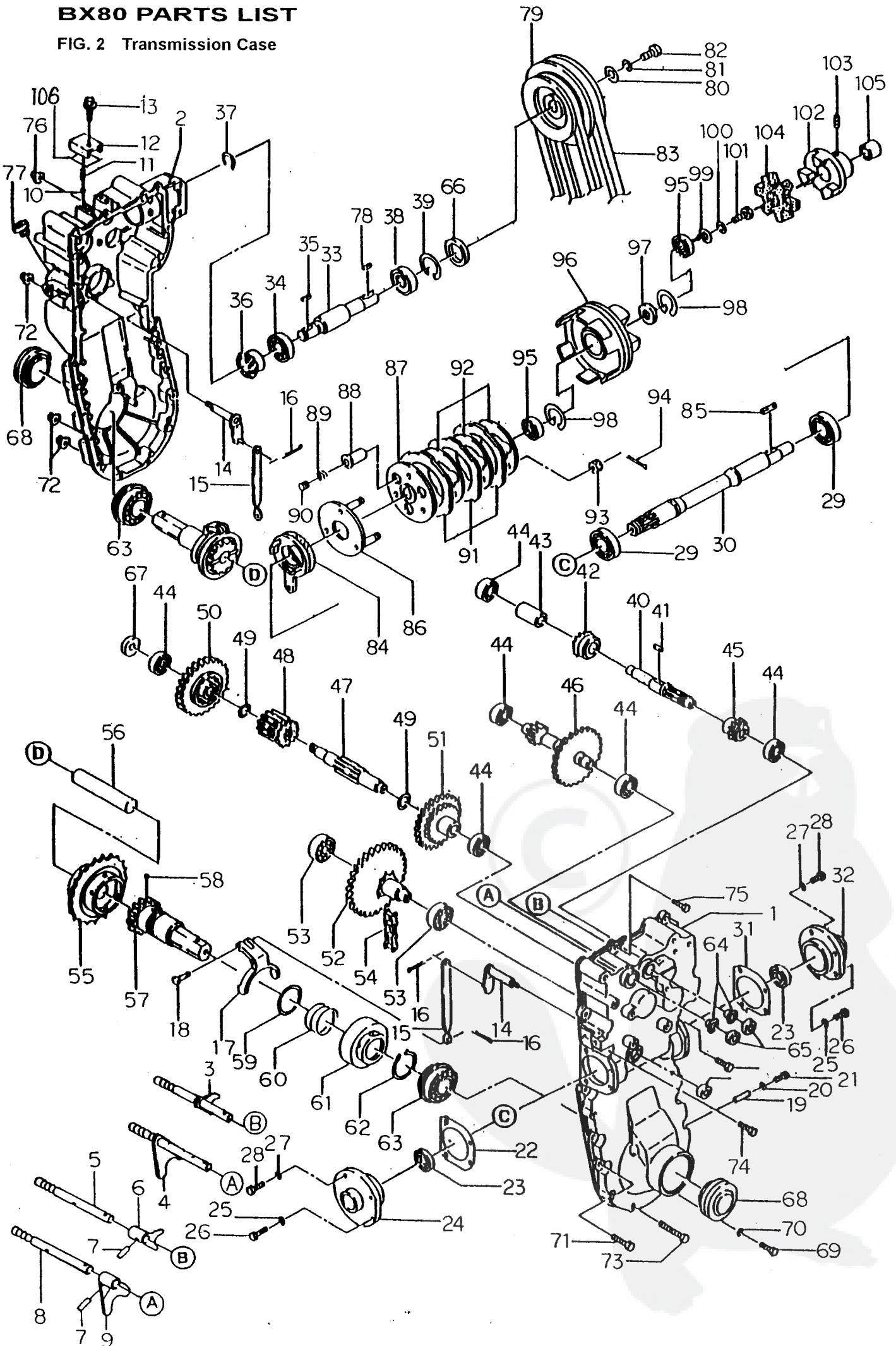


FIG. 2 Transmission Case

Ref	Parts No.	Parts Name	Qty	Remarks	(Int.)
1-79	80-1761-100-00	Gear Case Assy	1		
1	80-1751-101-00	Gear Case(L)	1		
2	80-1751-103-00	Gear Case(R)	1		
2	80-1761-103-00	Gear Case(R)	1	*1	No
3	80-1761-107-10	Fork,Main	1	*1	Yes
4	80-1761-110-00	Fork,Second	1		
10	89-3410-080000	Steel Ball 8	2		
11	80-1751-160-00	Spring	2		
12	80-1751-161-00	Plate, Pushing Spring	2		
13	89-1131-060162	Hexagonal Bolt (PW) M6*16	2		
13	89-1137-060162	Hexagonal Bolt (PW) M6*16	2		
14	80-1751-112-00	Arm Shaft	2		
15	80-1751-113-00	Link Rod	2		
16	89-2120-200152	Split Pin 2X15	4		
17	80-1751-114-00	Fork, Side Clutch	2		
18	89-2181-060302	Flat Headed Pin 6X30	2		
19	80-1751-115-00	Fork Pin	2		
20	89-5230-080000	Seal Washer 8	2		
21	89-1111-080122	Hexagonal Bolt M8*12	1		
21	89-1253-080122	Flange Bolt (8T) M8*145	1		
22	80-1751-157-00	Packing	1		
23	89-5121-253507	Oil Seal UE25.35.7	2		
24	80-1761-156-00	B.B. Case	1	*3	Yes
25	89-1750-060002	Spring Washer 6	4		
26	89-1111-060202	Hexagonal Bolt M6*20	4		
27	89-5230-060000	Seal Washer 6	4		
28	83-1751-127-00	Hexagonal Bolt (Meck) M6X20	4		
28	83-1761-126-00	Hexagonal Bolt (Meck) M6X18	4	*3	
29	89-3111-060054	Ball Bearing (6005)	2		
30	80-1751-155-00	P.T.O. Shaft	1		
30	80-1761-155-00	P.T.O. Shaft	1	*2	
31	80-1751-159-00	Packing	1		
32	80-1751-158-10	Clutch Cam Holder	1		
32	80-1761-158-00	Clutch Cam Holder	1	*1, *9	No
33	80-1761-116-00	Pulley Axis ϕ 20	1		
33	80-1761-116-10	Pulley Axis ϕ 18	1	*1	No
34	89-3111-060044	Ball Bearing 6004	1		
35	89-2150-050200	Key 5X20	1		
36	80-1751-117-00	Spiral Miter Gear (L20)	1		
36	80-1515-618-00	Spiral Miter Gear (L20)	1	*1	No
37	89-2511-000180	Snap Ring 18	1		
38	89-3115-060044	Ball Bearing 6004 2RS	1		
39	89-2512-000420	Snap Ring 42	1		
40	80-1751-118-00	The 1st Shaft	1		
40	80-1761-118-00	The 1st Shaft	1	*1	No
41	89-2150-050200	Key 5X20	1		
42	80-1751-119-00	Spiral Miter Gear (R20)	1		
42	80-1515-619-00	Spiral Miter Gear (R20)	1	*1	No
43	80-1751-121-00	Collar, the 1st Shaft	1		
43	80-1761-121-00	Collar, the 1st Shaft	1	*1	No
44	89-3111-062024	Ball Bearing (6202)	6		
45	80-1751-120-00	Gear Main-Change	1		
46	80-1751-122-00	The 2nd Shaft	1		
47	80-1751-127-00	The 3rd Shaft	1		
48	80-1751-130-00	Gear, Sub-Change	1	*13	
48	80-1761-130-00	Gear, Sub-Change	1	*10, *13	No
49	83-1830-368-00	Thrust Washer 18X26X1.0	2		

50	80-1751-131-00	Gear, 49T	1		
51	80-1751-128-00	Gear, 45T & 31T	1		
52	80-1751-134-00	The 4Th Shaft	1		
53	89-3111-062034	Ball Bearing 6203	2		
54	89-6512-050048	Chain #50-48	1		
55	80-1751-148-00	Sprocket 22T	1		
56	80-1751-150-10	Axle Pin	1	*3	Yes
57	80-1761-146-00	Axle	2		
58	89-3410-080000	Steel Ball 8	12		
59	83-1751-381-00	Thrust Washer (ST302)	2		
60	80-1751-162-00	Spring (ST302)	2		
61	80-1751-143-00	Clutch On & Off	2		
62	89-2512-000400	Snap Ring 40	2		
63	89-3131-060074	Ball Bearing 6007NR	2		
64	89-3511-012060	Bushing 12.6.20F	2		
65	89-5121-122207	Oil Seal UE(12.22.7)	4		
66	89-5121-304208	Oil Seal UE30.42.8	1		
67	89-5121-153007	Oil Seal UE 15.30.7	1		
68	83-1560-651-00	OIL SEAL AP40.62.12	2	with Adaptor	
68	83-1310-611-00	Water Seal 35.62.17	2		
69	89-1251-080123	Flange Hexagonal Bolt M8*12	1		
69	89-1253-080123	Flange Hexagonal Bolt (8T) M8*12	1		
70	89-5230-080000	Seal Washer 8	1		
71	89-1251-080253	Flange Hexagonal Bolt M8*25	9		
71	89-1253-080253	Flange Hexagonal Bolt (8T) M8*25	9		
72	89-1555-080043	U Nut, Flange M8	14		
72	89-1565-080043	U Nut, Mini Flange M8	14		
73	89-1251-080603	Flange Hexagonal Bolt M8*60	3		
73	89-1253-080603	Flange Hexagonal Bolt (8T) M8*60	3		
74	89-1251-080403	Flange Hexagonal Bolt M8*40	2		
74	89-1253-080403	Flange Hexagonal Bolt (8T) M8*40	2		
75	89-1111-080252	Hexagonal Bolt M8*25	1		
75	89-1213-080252	Mini Hexagonal Bolt (8T) M8*25	1		
76	89-1551-080002	Hexagonal U Nut M8	1		
76	89-1561-080002	Mini Hexagonal U Nut M8	1		
77	83-1210-684-00	Oil Cap KRM-42	1		
78	89-2151-050200	Key 5X20	1		
79	80-1751-521-00	Pulley ϕ 20	1		
79	80-1761-521-00	Pulley ϕ 18	1	*1	No
80	83-1210-313-00	Washer 8X32X3.2	1		
81	89-1750-080002	Spring Washer 8	1		
82	89-1111-080302	Hexagonal Bolt M8*30	1		
82	89-1253-080302	Flange Hexagonal Bolt (8T) M8*30	1		
83	89-6122-002601	V BELT SA-26	2		
84	80-1751-537-00	Clutch Cam Lever	1		
84	80-1761-537-20	Clutch Cam Lever	1	*6, *11	No
85	89-2150-050250	Key (5X5X25)	1		
86-94	80-1751-530-10	Clutch Assy	1		
86	80-1751-531-00	Clutch BK	1		
87	80-1751-532-00	Clutch Receive Board	1		
88	80-1751-535-10	Spring Cap	3		
89	80-1751-536-10	Clutch Spring	3		
90	80-1751-540-00	Clutch Spring	3		
91	80-1751-533-00	Clutch Disk BC 70	3		
92	80-1751-534-00	Clutch Disk BC 70	3		
93	89-1651-100042	Castle Nut M10	3		
94	89-2120-300252	Split Pin 3X25	3		
95	89-3115-060034	Bearing 6003 2RS	2		
96	80-1761-513-00	Clutch Pulley	1	*2	Yes

97	80-1751-514-00	Collar	1		
98	89-2512-000350	Snap Ring 35	2		
99	83-1715-312-00	Washer 8X24X3.2	1		
100	89-1750-080002	Spring Washer 8	1		
101	83-1761-112-00	Hexagonal Bolt (Meck) M8*20	1		
102	80-1751-511-00	Engine Joint	1		
103	89-1172-080101	Hexagonal Snap Ring M8X10	1		
104	80-1751-512-00	Joint Absorber	1		
105	80-1751-515-00	Collar 18L (K)	1	Kawasaki	
105	80-1751-516-00	Collar 15L (M)	1	Mitsubishi	
105	80-1751-517-00	Collar 13L (C)	1	Kubota	
106	80-1761-162-00	Packing, Pushing Spring	1		

- *9) Should be ordered together with 80-1761-537-20.
*10) Should be ordered together with 80-1761-110-00.
*11) Should be ordered together with 80-1761-158-00.
*13) Since Aug. 1993



BX80 PARTS LIST

FIG. 3 Change Lever

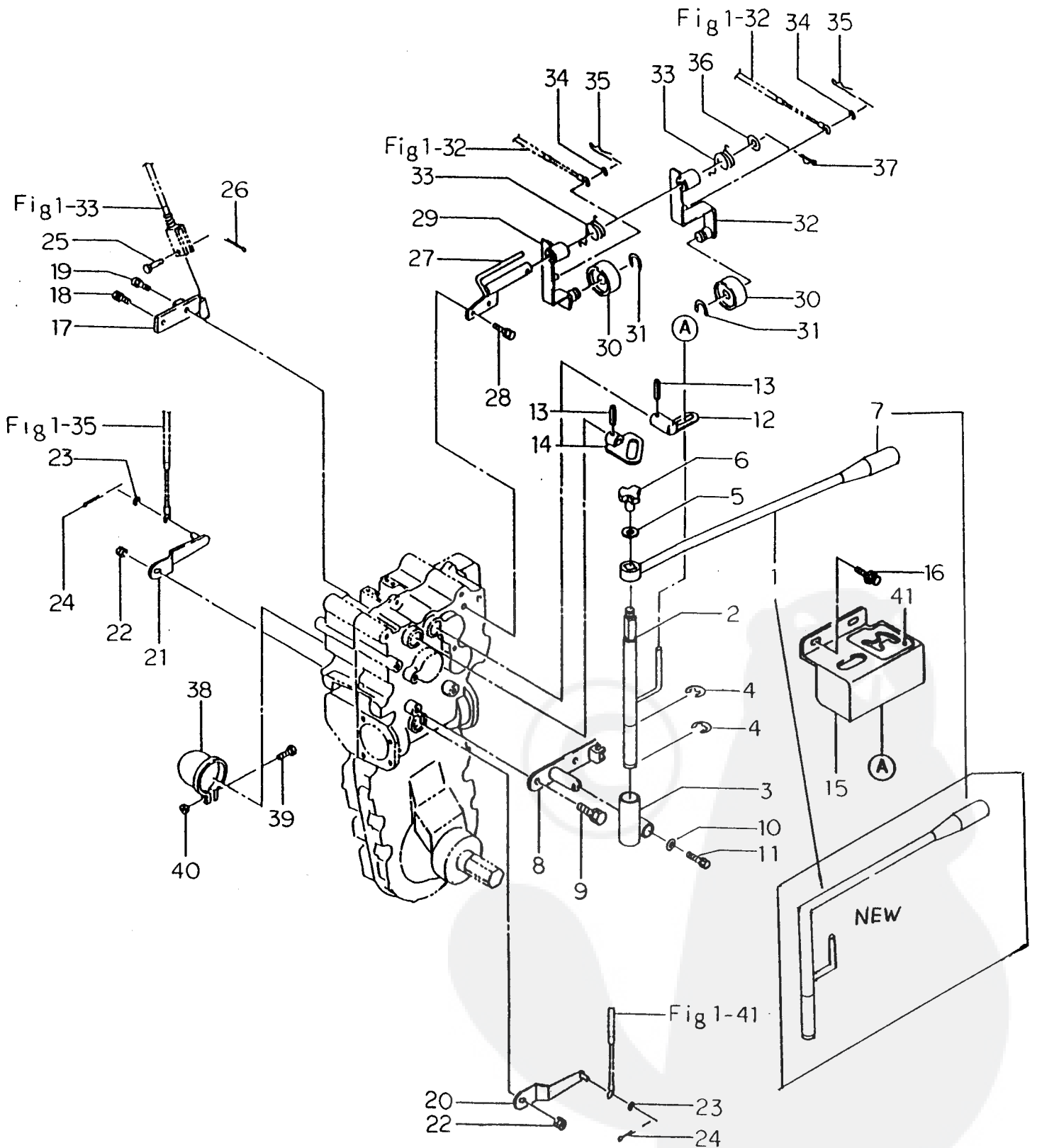


Fig 3 Change Lever

Ref	Parts No.	Parts Name	Qty	Remarks	(Int.)
1-7	80-1761-260-00	Change Lever Assy	1		
1	80-1761-263-00	Change Lever	1		
1	80-1761-264-10	Change Lever (FE270)	1	*2, *8	
1	80-1761-267-10	Change Lever (GM301)	1	*2, *8	
2	80-1761-265-00	Change Trigger	1	Until Oct. 1995	
3	80-1761-266-10	Trigger Sheath	1		Yes
4	89-2521-000100	E-Type Ring	2		
5	83-1761-191-00	Knob Nut M6	1	Until Oct. 1995	
6	89-1713-060002	Washer 6	1	Until Oct. 1995	
7	83-1711-426-00	Grip 12	1		
8	80-1751-267-00	Shaft for Trigger Sheath	1		
9	89-1132-080202	Hexagonal Bolt (SW) M8*20	2		
9	89-1232-080202	Mini Hexagonal Bolt (SW) M8*20	2		
10	89-1711-080002	Washer 8	1		
11	89-1132-080162	Hexagonal Bolt (SW) M8*16	1		
11	89-1232-080162	Mini Hexagonal Bolt (SW) M8*16	1		
12	80-1751-271-00	Shifter Boss, Main-Change	1		
13	89-2111-040020	Spring Pin 4X20	2		
14	80-1751-272-00	Shifter Boss, Second	1		
15	80-1761-261-00	Change cover	1		
15	80-1761-261-10	Change cover	1	*1	No
16	89-1133-080162	Hexagonal Bolt (PW,SW) M8*16	2		
16	89-1233-080162	Mini Hexagonal Bolt (PWSW) M8*16	2		
17	80-1761-277-00	PTO Clutch Wire Receiver	1		
18	89-1131-060122	Hexagonal Bolt (PW) M6*12	1		
18	89-1137-060122	Hexagonal Bolt (PW) M6*12	1		
19	89-1155-060122	Crossrecessed Headed Screw (PW)	1		
20	80-1751-153-00	Side Clutch Arm (Left)	1		
21	80-1751-154-00	Side Clutch Arm (Right)	1		
22	89-1541-080002	Hexagonal Nut (SW) M8	2		
22	89-1543-080002	Mini Hexagonal Nut (SW) M8	2		
23	89-1711-060002	Washer 6	2		
24	89-2120-200162	Split Pin 2X16	2		
25	89-2181-060162	Pin 6X16	1		
26	89-2120-200162	Split Pin 2X16	1		
27	80-1751-541-00	Arm Shaft	1		
28	89-1132-080202	Hexagonal Bolt (SW) M8*20	2		
28	89-1232-080202	Mini Hexagonal Bolt (SW) M8*20	2		
29-31	80-1761-542-00	High Speed Tension Arm Assy	1		
30-32	80-1761-546-00	Low Speed Tension Arm Assy	1		
29	80-1761-543-00	High-Speed Tension Arm	1		
30	89-3115-063024	Bearing 6302 2RS	2		
31	89-2511-000150	Snap Ring (S15)	2		
32	80-1761-547-00	Low-Speed Tension Arm	1		
33	80-1751-552-00	Return Spring	2		
34	89-1711-060002	Washer 6	2		
35	89-2131-080002	Snap Pin 8	2		
36	83-1565-329-00	Washer 13	1		
37	89-2131-100002	Snap Pin 10	1		
38	80-1210-649-00	Shaft Cap	1		
39	89-1111-060252	Hexagonal Bolt M6*25	1		
40	89-1511-060042	Hexagonal Nut M6	1		
41	80-1751-911-00	Label	1		
41	80-1761-911-00	Label	1	*1	No

*8) Unified with 80-1761-265-00

BX80 PARTS LIST

FIG. 4 Belt Cover, Engine Base, Hitch & Wheel

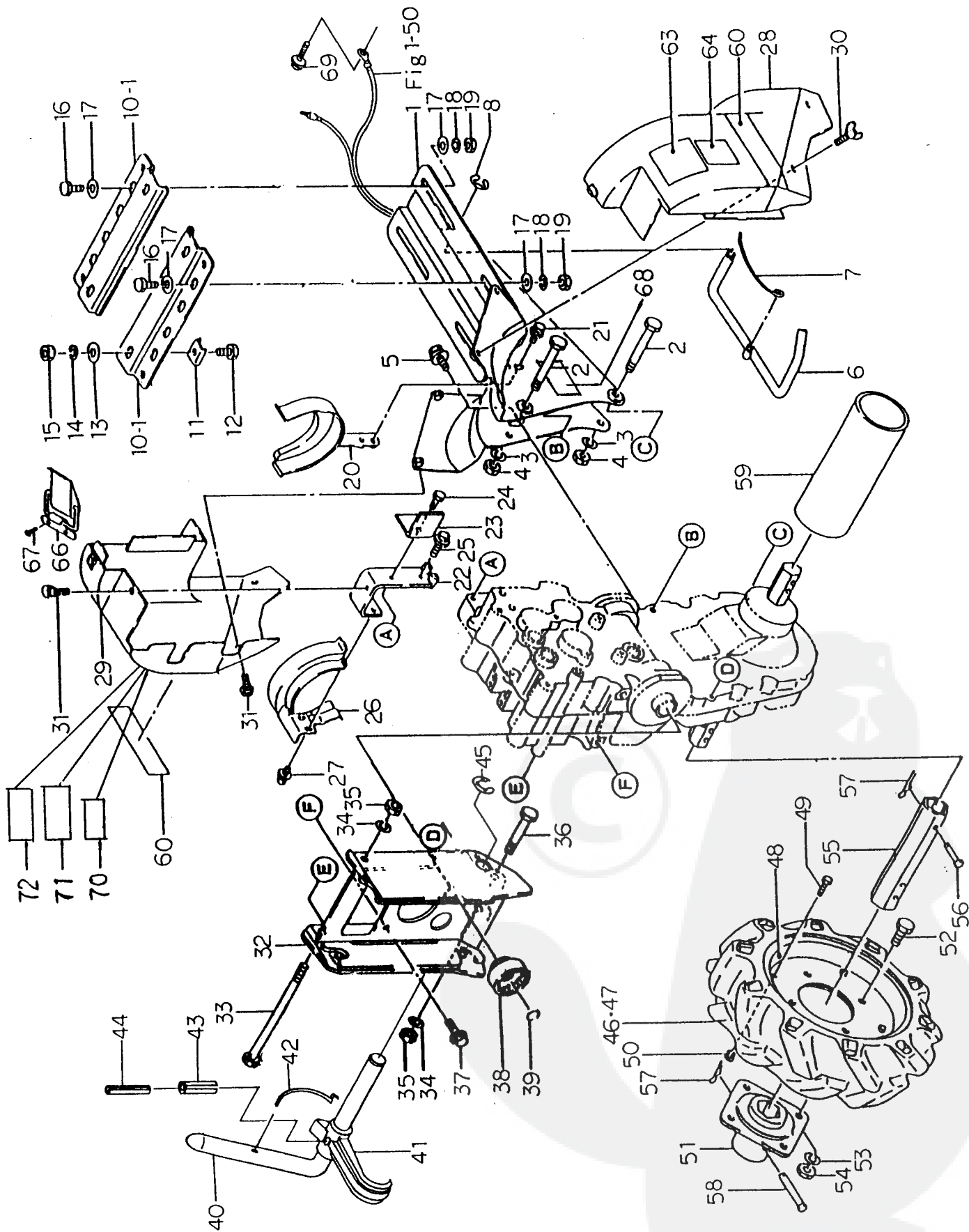


Fig 4 Belt Cover, Engine Base, Hitch & Wheel

Ref	Parts No.	Parts Name	Qty	Remarks	(Int.)
1	80-1761-301-00	Engine Base	1		
2	89-1113-100702	Hexagonal Bolt(8T) M10X70	2		
2	89-1213-100702	Mini Hexagonal Bolt (8T) M10*70	2		
3	89-1750-100002	Spring Washer 10	2		
4	89-1511-100042	Hexagonal Nut M10	2		
4	89-1611-100042	Mini Hexagonal Nut M10 P1.5	2		
5	89-1133-080162	Hexagonal Bolt (PW,SW) M8*16	2		
5	89-1233-080162	Mini Hexagonal Bolt (PWSW) M8*16	2		
6	80-1761-321-10	Stand	1	*4	Yes
7	80-1751-322-00	Spring	1		
8	89-2521-000100	E-Type Ring 10	1		
10-1	80-1751-306-00	Adjustment Base (F) (K)	1	Kawasaki OHV	
10-1	80-1751-307-00	Adjustment Base (B) (K)	1	Kawasaki OHV	
10-1	80-1751-304-00	Adjustment Base (M)	2	Mitsubishi OHV	
11	83-1210-389-00	Whirl Stop Plate A 10	4		
12	89-1111-100452	Hexagonal Bolt M10*45	4		
12	89-1211-100452	Mini Hexagonal Bolt M10*45	4		
13	89-1711-100002	Washer 10	4		
14	89-1750-100002	Spring Washer 10	4		
15	89-1511-100042	Hexagonal Nut M10	4		
15	89-1611-100042	Mini Hexagonal Nut M10	4		
16	89-1111-100252	Hexagonal Bolt M10*25	4		
16	89-1211-100252	Mini Hexagonal Bolt M10*25	4		
17	89-1711-100002	Washer 10	8		
18	89-1750-100002	Spring Washer 10	4		
19	89-1511-100042	Hexagonal Nut M10	4		
19	89-1611-100042	Mini Hexagonal Nut M10	4		
20	80-1751-562-00	Belt Receiver (Under)	1		
21	89-1133-080162	Hexagonal Bolt (PW,SW) M8*16	2		
21	89-1233-080162	Mini Hexagonal Bolt (PWSW) M8*16	2		
22	80-1751-554-00	Wire Receiver	1		
23	80-1751-503-00	Plate	1		
24	89-1132-080162	Hexagonal Bolt (SW) M8*16	1		
24	89-1232-080162	Mini Hexagonal Bolt (SW) M8*16	1		
25	89-1131-060162	Hexagonal Bolt (PW) M6*16	1		
25	89-1137-060162	Hexagonal Bolt (PW) M6*16	1		
26	80-1751-561-00	Belt Receiver (Upper)	1		
27	89-1133-080162	Hexagonal Bolt (PW,SW) M8*16	2		
27	89-1233-080162	Mini Hexagonal Bolt (PWSW) M8*16	2		
28	80-1751-501-00	Belt Case (Left)	1		
29	80-1751-502-00	Belt Case (Right)	1		
30	89-1312-080152	Bolt M 8x15	2		
31	89-1133-080202	Hexagonal Bolt (PW,SW) M8*20	3		
31	89-1233-080202	Mini Hexagonal Bolt (PWSW) M8*20	3		
32	80-1761-331-00	Mission Hitch Cmp	1		
33	89-1113-101652	Hexagonal Bolt (8T) M10*165	1		
33	89-1213-101652	Mini Hexagonal Bolt (8T) M10*165	1		
34	89-1750-100002	Spring Washer 10	4		
35	89-1511-100042	Hexagonal Nut M10	2		
35	89-1611-100042	Mini Hexagonal Nut M10	2		
36	89-1113-100752	Hexagonal Bolt (8T) M10*75	1		
36	89-1213-100752	Mini Hexagonal Bolt (8T) M10*75	1		
37	89-1235-080202	Hexagonal Bolt (8T.SW) M8x20	2		
38	80-1751-168-00	Joint (Female)	1		
39	80-1751-169-00	Joint on PTO	1		
40	80-1761-353-00	Hitch Hook Lever	1		

41	80-1761-351-00	Hitch Hook	1		
42	80-1761-354-00	Hitch Spring	1		
43	89-2111-050025	Spring Pin 5X25	1		
44	89-2111-030025	Spring Pin 3X25	1		
45	89-2521-000100	E-Type Ring	1		
46-50	80-1751-411-00	Tire Wheel Assy (L) (16*700*8)	1		
46-50	80-1751-412-00	Tire Wheel Assy (R) (16*700*8)	1		
46	80-1751-401-00	Tire	2		
47	80-1751-404-00	Tube	2		
48	80-1751-407-00	Wheel Assy	2		
49	89-1132-100202	Hexagonal Bolt (SW) M10*20	8		
50	89-1511-100002	Hexagonal Nut M10	8		
51	80-1751-413-10	Wheel Boss	2		
52	89-1111-100202	Hexagonal Bolt M10*20	8		
53	89-1750-100002	Spring Washer 10	8		
54	89-1511-100042	Hexagonal Nut M10	8		
55	80-1751-416-00	Wheel Tube 270	2		
56	83-1711-151-00	Pin, Cylinder Head 8X42	2		
57	89-2131-080002	Snap Pin 8	4		
58	89-2181-080602	Pin, Cylinder Head 8X60	2		
59	80-1751-441-00	Axle Cover Pipe	2		
60	80-1751-906-00	Label	2		
63	83-1415-913-00	Label	1		
64	80-1484-A47-0L	Label	1		
66	80-1751-509-00	Clamp Set	1		
67	89-1161-030062	Cross Recessed Tapping Screw 3*6	4		
68	80-1761-915-00	Name Plate	1	At new position.	
69	89-1132-080122	Hexagonal Bolt (SW) M8*12	1		
70	80-1484-A47-0R	Label	1		
71	80-1488-928-00	Label	1		
72	83-1260-908-00	Label	1		

